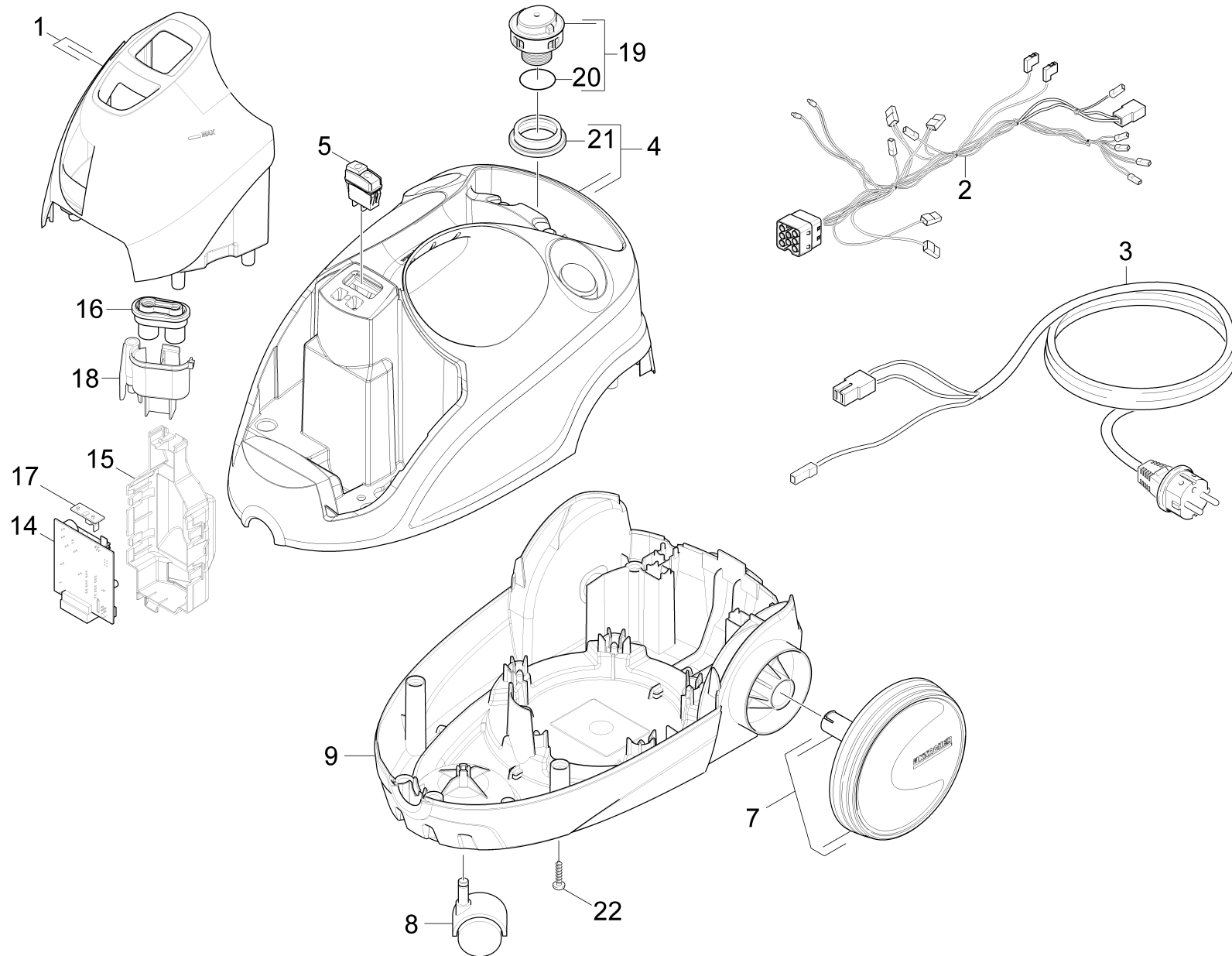


10 Housing

Overview technical documents/Home & Garden/Steamer/SC 4 *EU (1.512-405.0)/Spare parts list SC 4 *EU/10 Housing



10 Housing

Overview technical documents/Home & Garden/Steamer/SC 4 *EU (1.512-405.0)/Spare parts list SC 4 *EU/10 Housing

| Rez.daļas/nodil.pakļ.daļas | Poz. | Materiāla Nr. | Nosaukums | Daudzums | Pārdoš. vienība |
|----------------------------|------|---------------|--|----------|-----------------|
| X | 1 | 4.512-036.0 | Tank complete replacement SC 2.600/SC 2. | 1.000 | ST |
| | 2 | 4.039-030.0 | Cable set SC 4 EU | 1.000 | ST |
| | 3 | 6.649-797.0 | Cable with plug EU 4m | 1.000 | ST |
| | 4 | 4.512-042.0 | Upper housing replacement SC 2.500 C_SC | 1.000 | ST |
| | 5 | 4.744-169.0 | Switch complete only for replacement | 1.000 | ST |
| | 7 | 4.515-307.0 | Impeller kit replacement | 1.000 | ST |
| | 8 | 6.435-857.0 | Castor | 1.000 | ST |
| | 9 | 5.512-022.0 | Housing bottom part Floortool r-r | 1.000 | ST |
| | 14 | 6.512-015.0 | Electronics SC 2.500 EU | 1.000 | ST |
| | 15 | 5.512-067.0 | Carrier electronics MK DIY | 1.000 | ST |
| | 16 | 4.580-637.0 | Valve tank replacement | 1.000 | ST |
| | 17 | 6.512-012.0 | Electronics display MK DIY | 1.000 | ST |
| | 18 | 5.512-046.0 | Carrier valve EFH-MK | 1.000 | ST |
| X | 19 | 4.580-760.0 | maintenance closure complete | 1.000 | ST |
| | 20 | 6.363-468.0 | O-ring seal | 1.000 | ST |
| | 21 | 5.363-745.0 | Seal connection piece M24 | 1.000 | ST |
| | 22 | 7.303-108.0 | Skrūve 5x20 -10.9-R2R (In6Rd) | 6.000 | ST |