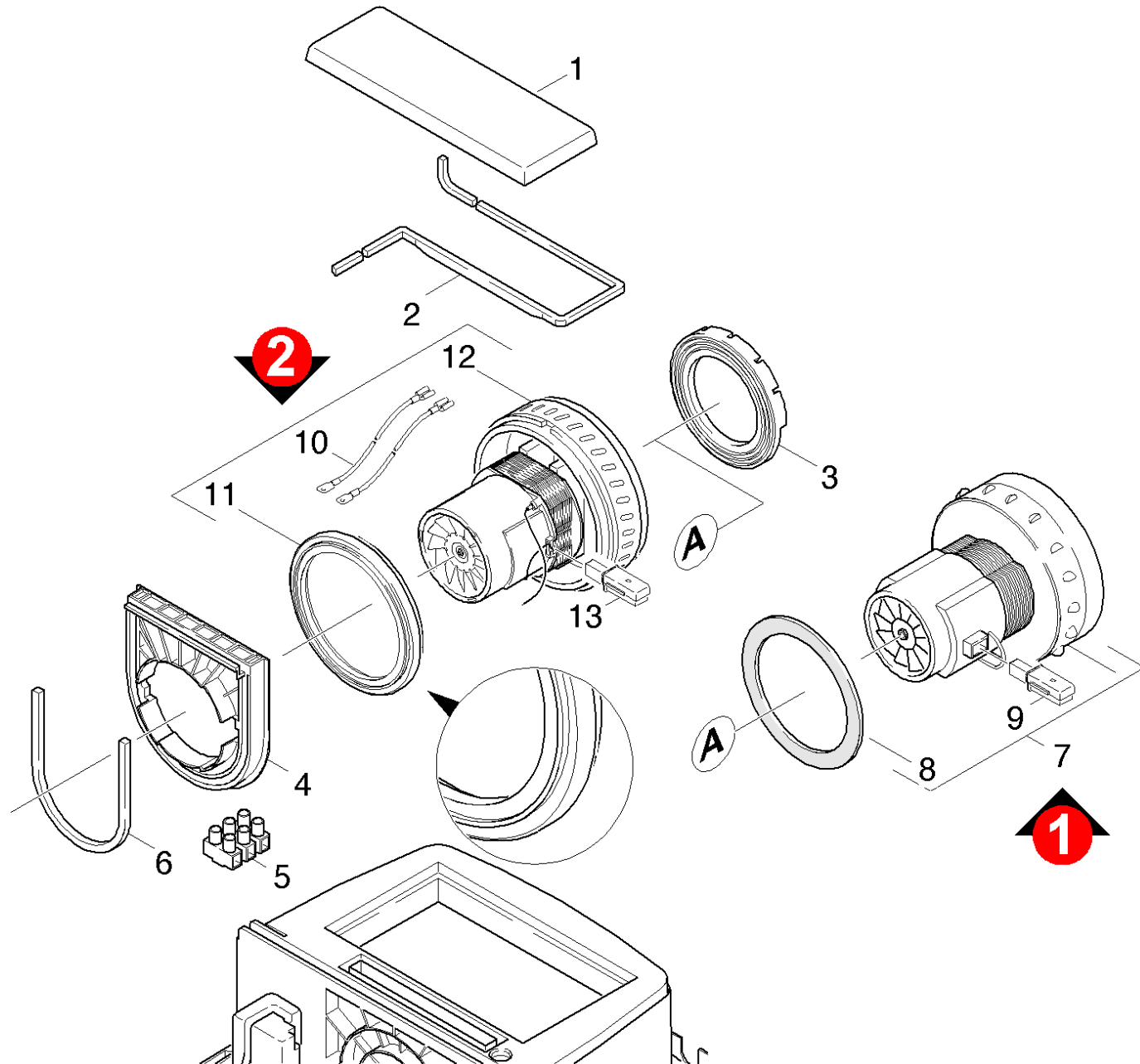


30 Vacuum motor

Home and Garden \ Vacuum cleaner \ Wet-/Dry vacuum cleanerwet \ K 2000 E-NW60 *EU \ Spare parts list K 2000 E \ Vacuum motor



30 Vacuum motor

Home and Garden \ Vacuum cleaner \ Wet-/Dry vacuum cleanerwet \ K 2000 E-NW60 *EU \ Spare parts list K 2000 E \ Vacuum motor

KÄRCHER

POS	Article no.	Description	Quantity	Unit	Remark	Foot note text
1	5.673-042.0	Insulating mat	1.000	ST		
2	5.363-264.0	Seal housing	1.000	ST		
3	5.363-265.0	Seal turbine	1.000	ST		
4	5.122-141.0	Flange	1.000	ST		
5	6.643-072.0	Strip terminal triple-pole	1.000	ST		ORDER ACCORDING TO CONSUMPTION
6	5.363-271.0	Seal	1.000	ST		
7	2.638-869.0	VACUUM MOTOR (NT 351 ECO)	1.000	ST	VERSION 1	
8	5.363-111.0	Joint ring	1.000	ST	VERSION 1	
9	6.610-098.0	Carbon brush with holder 2-Stueck	1.000	ZSA		
10	6.647-917.0	Cable set A	1.000	ST	VERSION 2	
11	6.959-223.0	Seal	1.000	ST	VERSION 2	
12	6.490-106.0	Vacuum motor 230V	1.000	ST	VERSION 2	PLEASE ORDER WITH CABLE SET
13	6.610-204.0	Carbon brush set only for replacement	1.000	ST	VERSION 2	