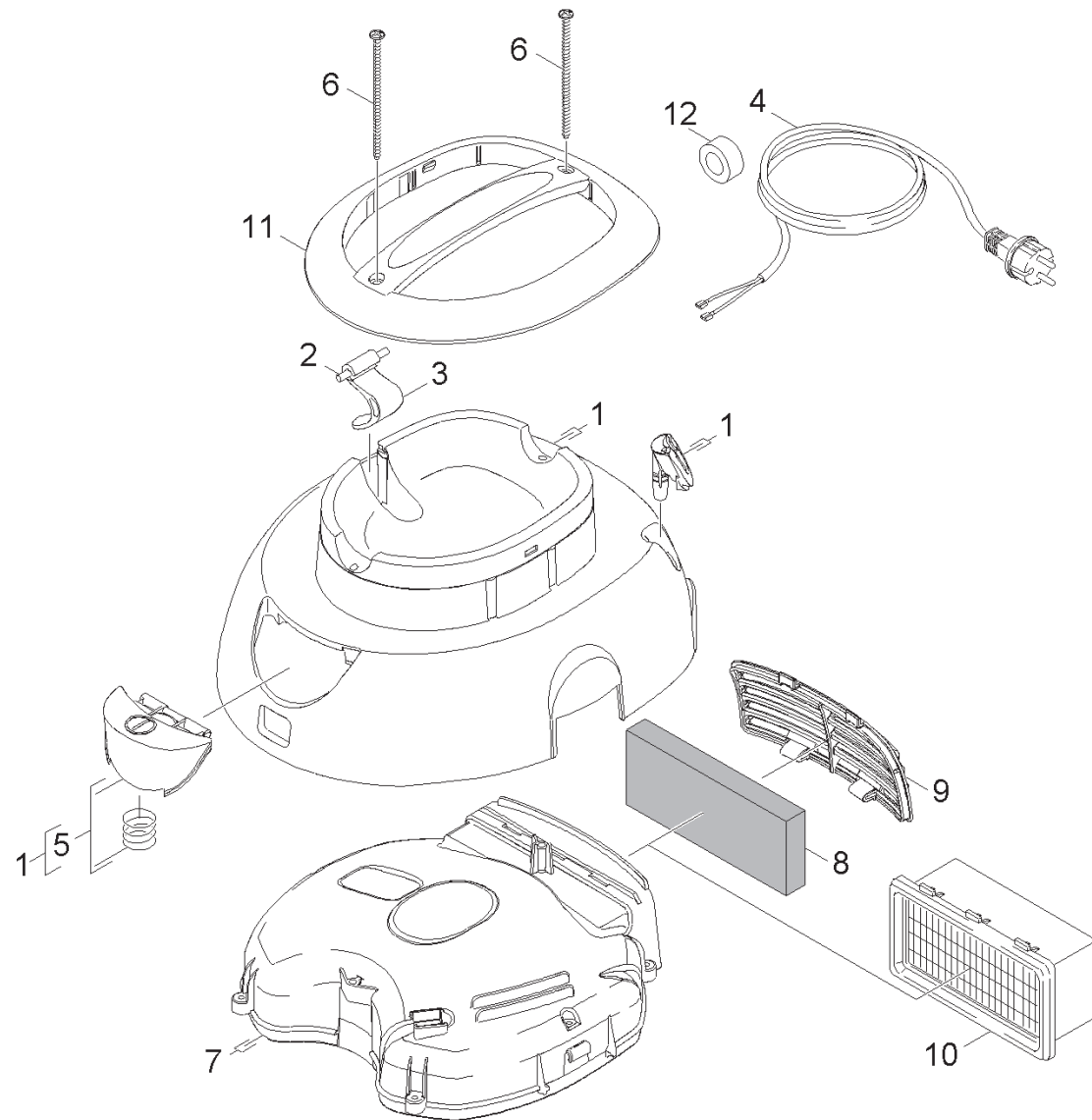


10 Housing

Overview technical documents/Professional/Vacuum cleaner/Dry vacuum cleaner/T 12/1 (1.355-134.0)/Spare parts list T 12/1 *EU/10 Housing



10 Housing

Overview technical documents/Professional/Vacuum cleaner/Dry vacuum cleaner/T 12/1 (1.355-134.0)/Spare parts list T 12/1 *EU/10 Housing

Rez.daļas/nodil.pakļ.daļas	Poz.	Materiāla Nr.	Nosaukums	Daudzums	Pārdoš. vienība	no sēr. Nr..	līdz sēr. Nr.
	1	4.069-001.0	Cover complete	1.000	ST	0000000000	0000000000
	2	7.314-032.0	Straight pin 5m6x50 -St ISO 2338	1.000	ST	0000000000	0000000000
	3	5.032-597.0	Catch for cable	1.000	ST	0000000000	0000000000
	4	6.649-655.0	Strāvas vads 12 m PVC *EU	1.000	ST	0000000000	0000000000
	5	4.324-019.0	Pushbutton complete	1.000	ST	0000000000	0000000000
	6	7.303-155.0	Screw 5x100-A2-70 (IN6RD)	2.000	ST	0000000000	0000000000
	7	4.692-031.0	Air circulation complete	1.000	ST	0000000000	0000000000
X-X	8	6.414-802.0	Izejas filtri	1.000	ST	0000000000	0000000000
	9	5.033-650.0	Grate exhaust opening qusty grey RAL 703	1.000	ST	0000000000	0000000000
X-X	10	6.414-801.0	Filtrs HEPA	1.000	ST	0000000000	0000000000
	11	5.321-727.0	Handhold	1.000	ST	0000000000	0000000000
	12	6.346-043.0	Ferrite ring	1.000	ST		