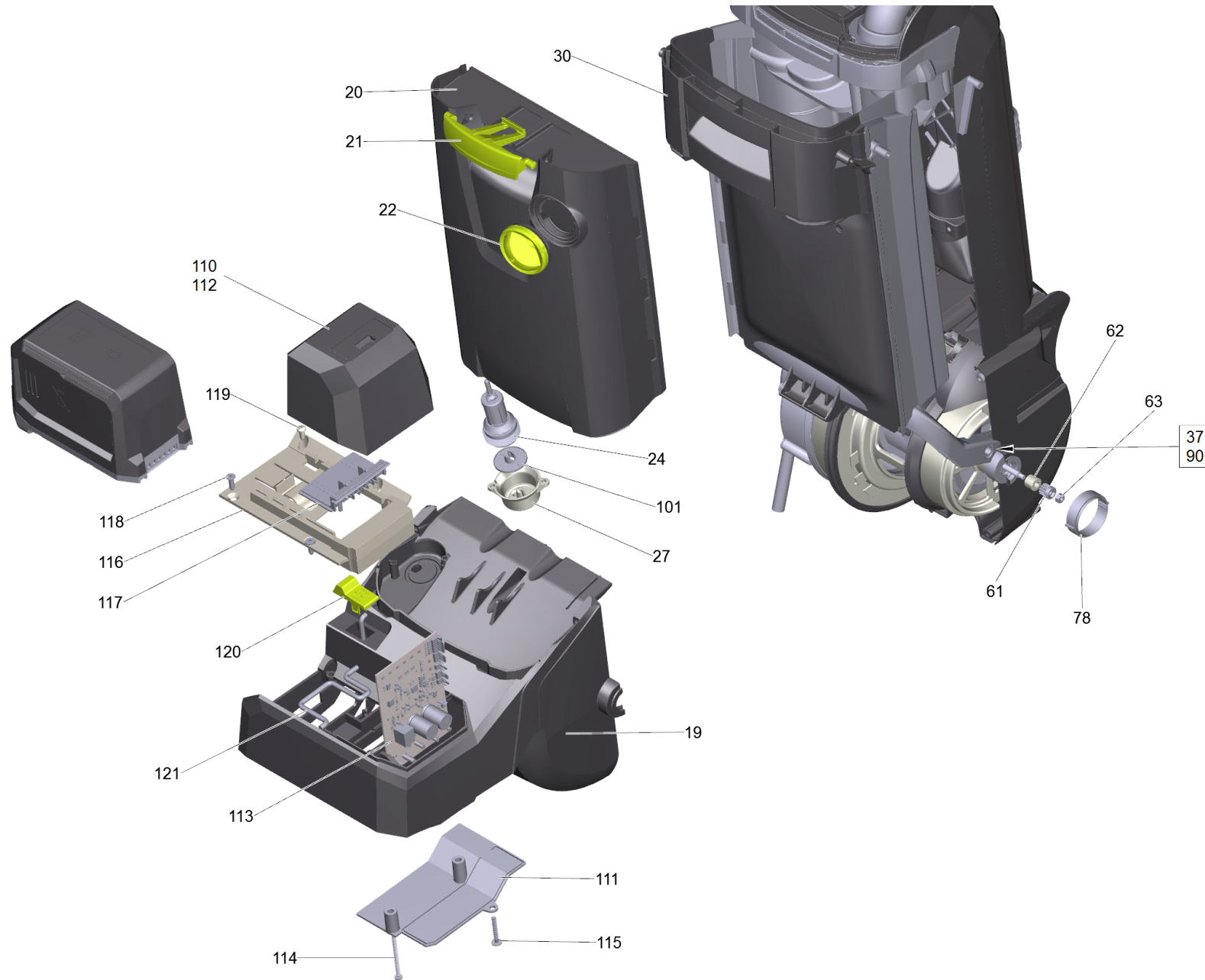
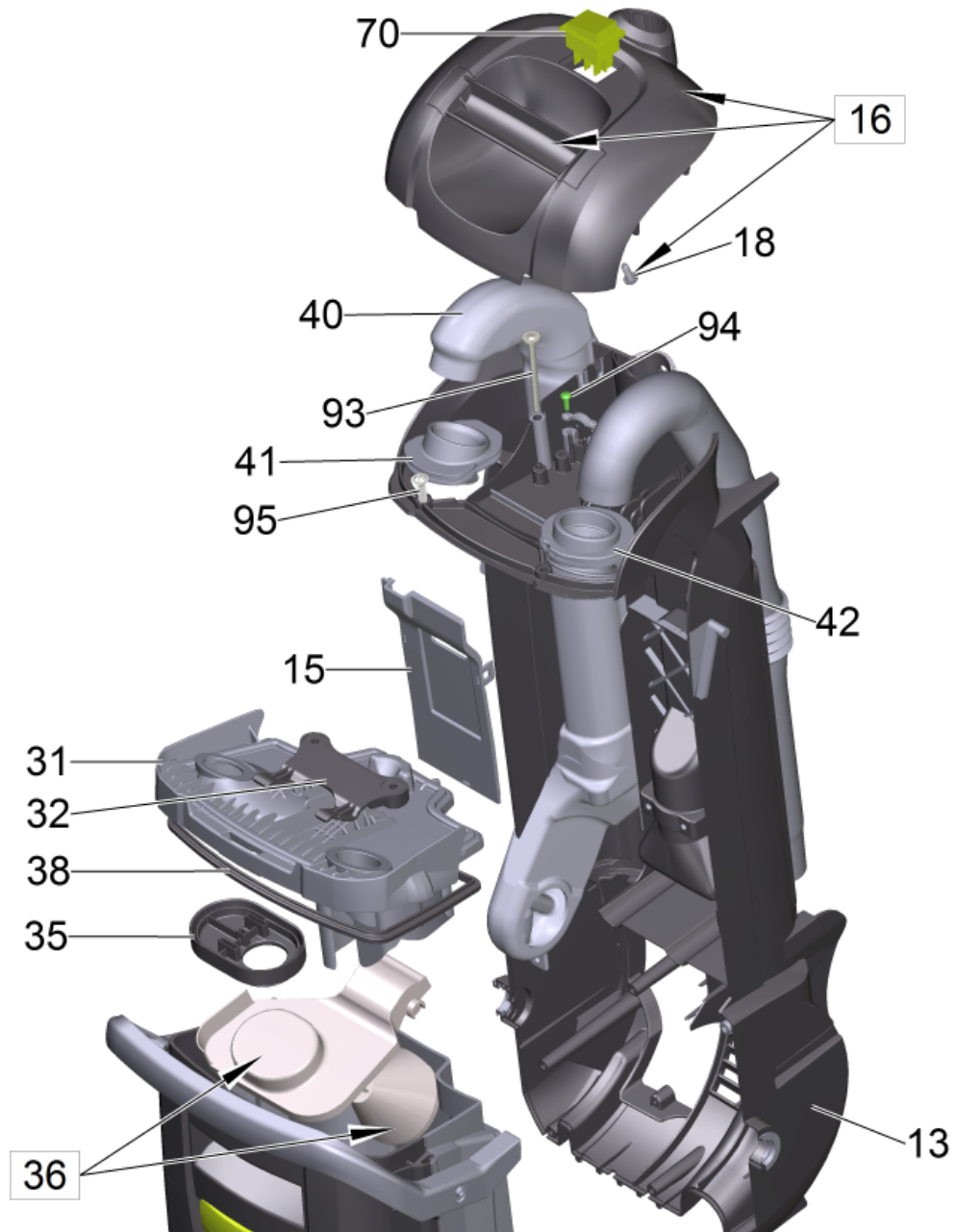


10 Basic machinery BR 30/4 Bp 36V

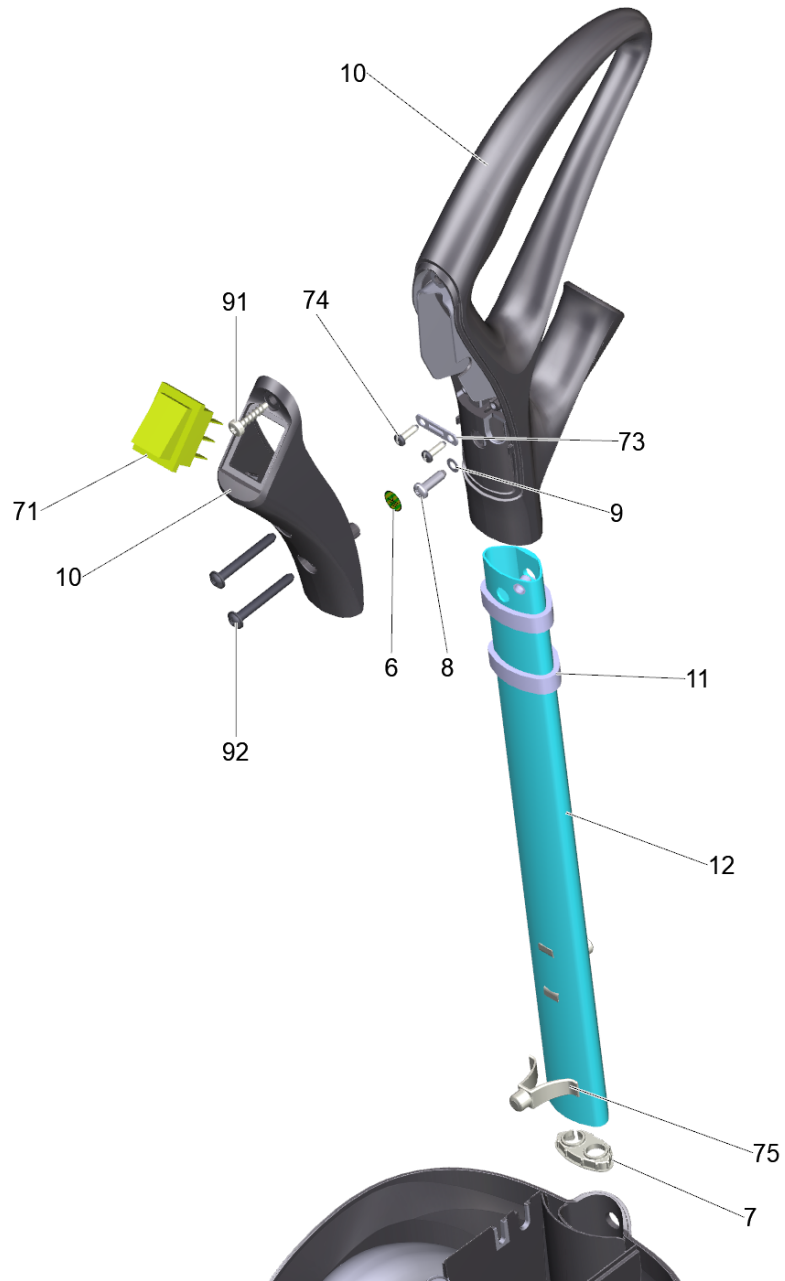
Professional \ Floor cleaner \ Compact \ BR 30/4 C Bp Pack *EU \ Basic machinery BR 30/4 Bp 36V

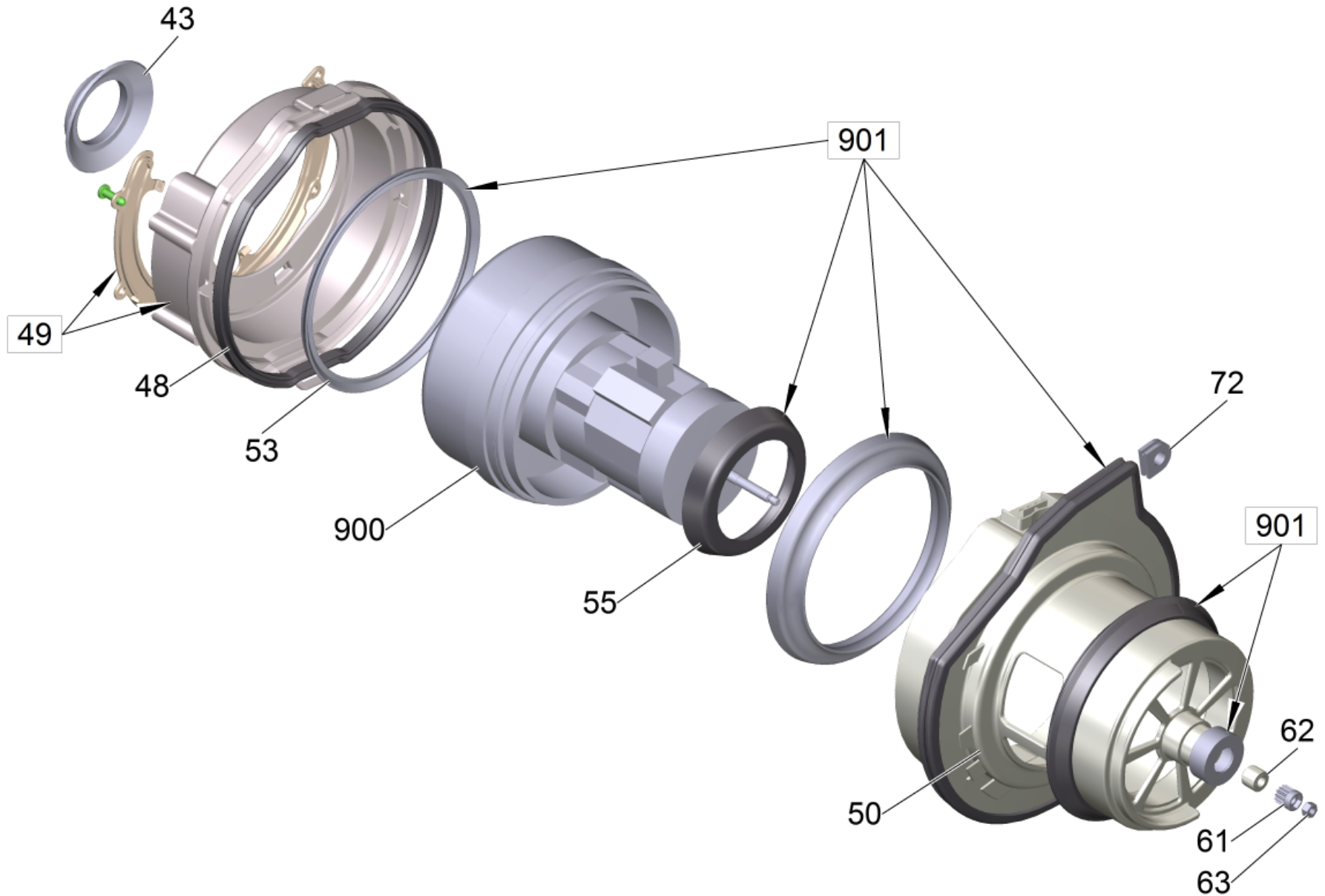


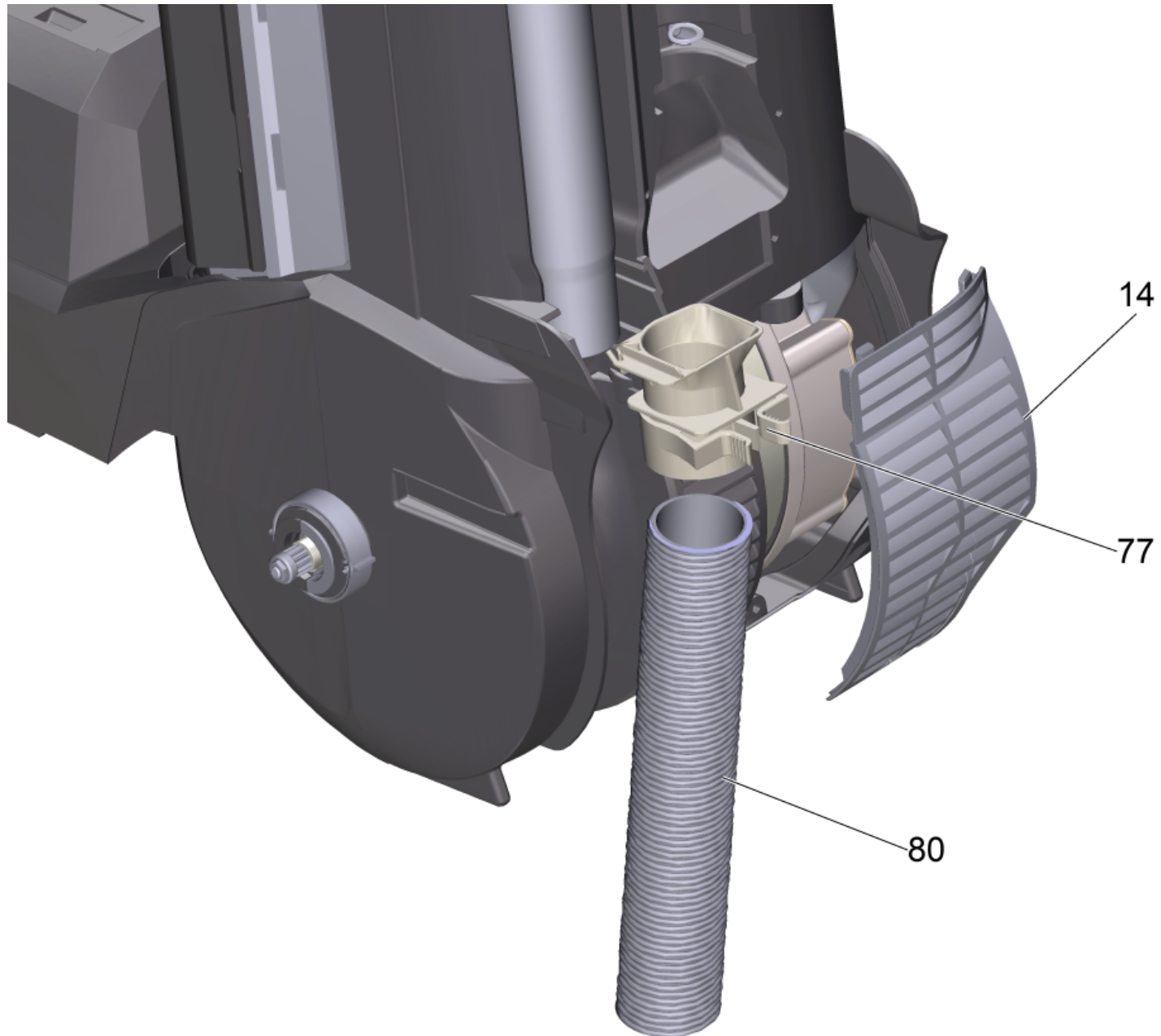


10 Basic machinery BR 30/4 Bp 36V

Professional \ Floor cleaner \ Compact \ BR 30/4 C Bp Pack *EU \ Basic machinery BR 30/4 Bp 36V







10 Basic machinery BR 30/4 Bp 36V

Professional \ Floor cleaner \ Compact \ BR 30/4 C Bp Pack *EU \ Basic machinery BR 30/4 Bp 36V



POS	Article no.	Description	Quantity	Unit	Foot note text
16	4.033-162.0	Covering cap housing replacement	1	PC	
10	4.033-170.0	Handhold complete replacement	1	PC	
49	4.033-176.0	Cover enclosure replacement	1	PC	
22	4.033-749.0	Fuel tank filler cap replacement	1	PC	
36	4.033-750.0	Float replacement	1	PC	
24	4.190-029.0	Valve fresh water tank BR 30/4	1	PC	
78	4.250-079.0	BEARING SHELL kpl.	2	PC	
901	4.363-690.0	Set of gaskets	1	PC	
900	4.490-026.0	Turbine set 36V 500W	1	PC	
113	4.683-095.0	Control system BR30/4Bp 36V	1	PC	
13	5.033-172.0	Housing	1	PC	
14	5.033-174.0	Flap ventilation	1	PC	
15	5.033-175.0	Covering cap cable	1	PC	
50	5.033-176.0	Enclosure motor	1	PC	
40	5.033-178.0	Suction pipe turbine	1	PC	
31	5.033-181.0	Cover waste water tank	1	PC	
27	5.033-190.0	Funnel valve	1	PC	
62	5.033-194.0	Flanged pulley pinion	1	PC	
75	5.033-195.0	Spring handle	2	PC	
7	5.033-196.0	Plug handle	1	PC	
12	5.033-228.0	Handle Alu	1	PC	
61	5.033-263.0	Motor pinion z13 M3	1	PC	
32	5.033-265.0	Guide cap of a tank	1	PC	
37	5.033-598.0	Carrier handle tank yellow	1	PC	
30	5.033-747.0	Waste water tank	1	PC	
21	5.033-748.0	Notch fresh water tank	1	PC	
20	5.033-754.0	Fresh water tank	1	PC	
101	5.033-905.0	Strainer fresh water	1	PC	
81	5.033-952.0	Form hose fresh water BR 30/4	1	PC	
19	5.034-129.0	Motor housing battery BR 30/4	1	PC	
110	5.034-131.0	Cover electronics BR 30/4 Bp	1	PC	
116	5.034-133.0	Rail accumulator BR 30/4 Bp	1	PC	
120	5.034-138.0	Slider releasing device BR 30/4 Bp	1	PC	

10 Basic machinery BR 30/4 Bp 36V

Professional \ Floor cleaner \ Compact \ BR 30/4 C Bp Pack *EU \ Basic machinery BR 30/4 Bp 36V



POS	Article no.	Description	Quantity	Unit	Foot note text
121	5.034-139.0	Retaining bracket locking part BR 30/4 B	1	PC	
111	5.034-140.0	Cover electronics BR 30/4 Bp	1	PC	
55	5.363-395.0	Seal	1	PC	
41	5.363-687.0	Sealing lip SWT-SL-T	1	PC	
42	5.363-688.0	Sealing lip SWT-SL-SB	1	PC	
43	5.363-689.0	Sealing lip vac motor SL	1	PC	
53	5.363-690.0	Seal turbine front	1	PC	
35	5.363-702.0	Seal float	1	PC	
38	5.363-711.0	Seal cover tank SW	1	PC	
48	5.363-725.0	Seal enclosure	1	PC	
77	5.407-135.0	Sleeve suction tube qusty grey	1	PC	
118	6.303-057.0	Countersunk screw 5,0X 16-ST-A2R	2	PC	
93	6.303-100.0	Screw 5x65 (Kombi-IN6RD)	2	PC	
114	6.303-547.0	Screw 4x50 -10.9-IN6RD T20	2	PC	
28	6.362-604.0	O-Ring seal 27,0 X 3,0	1	PC	
11	6.375-899.0	Sealing tape	0,21	m	
83	6.388-701.0	Hose clip with insert 13,3	1	PC	
80	6.391-724.0	Suction hose DN32 -130mm	1	PC	
70	6.630-480.0	Pushbutton two-pole	1	PC	VERSION 1
71	6.630-488.0	Switch lamp 24V	1	PC	VERSION 1
117	6.631-011.0	Contact element accumulator	1	PC	
70	6.632-058.0	Pushbutton two-pole on/off	1	PC	VERSION 2
71	6.632-059.0	Switch lamp 24V	1	PC	VERSION 2
112	6.643-037.0	LED Indicator foil BR 30/4 Bp	1	PC	
6	6.643-145.0	Label earthing	1	PC	
72	6.648-064.0	Cable bushing	1	PC	
73	6.903-241.0	Clamp clip	2	PC	
8	7.303-030.0	Screw M4x8 -St-P2R (In6Rd)	1	PC	
95	7.303-086.0	Screw 5x30 -10.9-R2R (K-In6Rd)	2	PC	
94	7.303-095.0	Screw 4x12-ST-10.9-R2R (IN6RD)	2	PC	
119	7.303-097.0	Screw 5x12-10.9-R2R (K-In6Rd)	2	PC	
74	7.303-102.0	Screw 3,5x12 -A2-70-bk (In6Rd)	2	PC	
97	7.303-104.0	Screw 5x16 -A2-70 (IN6RD)	6	PC	

10 Basic machinery BR 30/4 Bp 36V

Professional \ Floor cleaner \ Compact \ BR 30/4 C Bp Pack *EU \ Basic machinery BR 30/4 Bp 36V

KÄRCHER

POS	Article no.	Description	Quantity	Unit	Foot note text
29	7.303-104.0	Screw 5x16 -A2-70 (IN6RD)	2	PC	
18	7.303-107.0	Screw 5x16 -10.9-P2R (K-In6Rd)	2	PC	
90	7.303-107.0	Screw 5x16 -10.9-P2R (K-In6Rd)	2	PC	
92	7.303-118.0	Screw 5x40 -A2-70 (IN6Rd)	5	PC	
91	7.303-212.0	Screw 5x20 -A2-70 (In6Rd)	1	PC	
96	7.303-268.0	Screw 5x30 -A2-70 (In6Rd)	3	PC	
115	7.303-268.0	Screw 5x30 -A2-70 (In6Rd)	1	PC	
63	7.311-431.0	Hexagon nut M5-1.4305 DIN 985	1	PC	
130	7.312-026.0	Washer 6 -A2 ISO 7089	2	PC	
9	7.312-230.0	Serrated lock washer A4,3-FSt-A3E DIN67	1	PC	