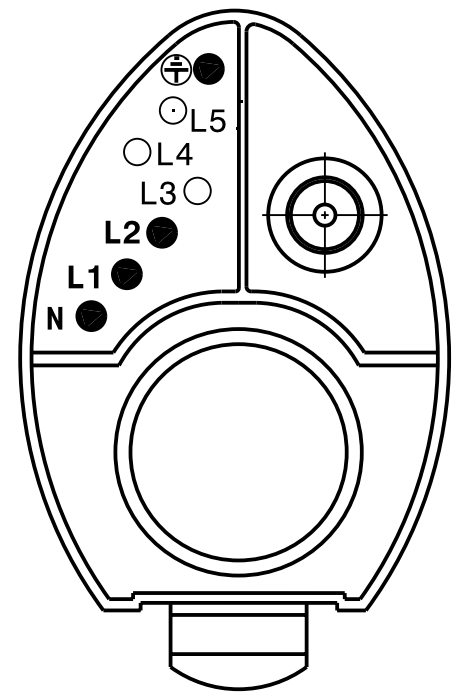
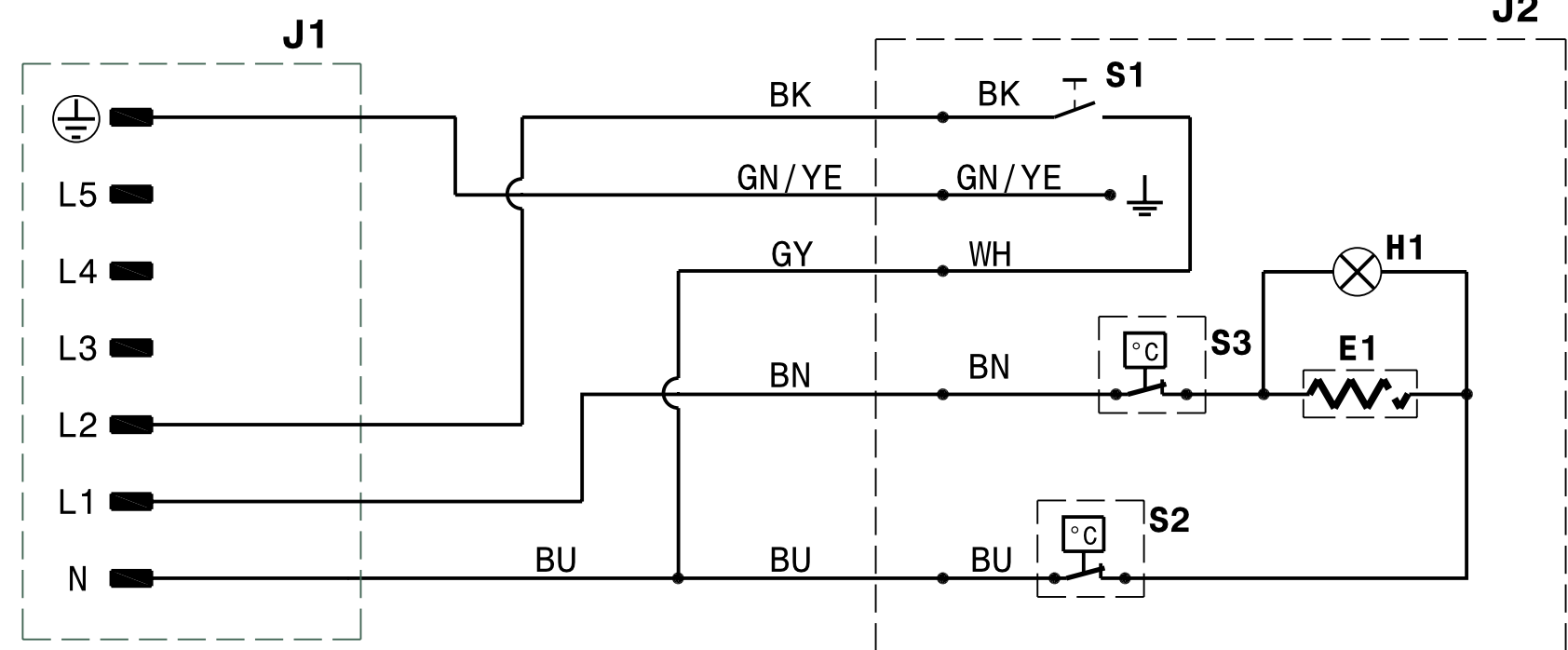


Compliance with the current version of Kärcher standard KN 050.032 Constituent substances (ban of lead, cadmium, etc.) must be guaranteed. Standard date format according to ISO 8601 (YYYY-MM-DD).
 The reproduction, distribution and utilization of this document as well as the communication of its contents to others without explicit authorization is prohibited. Offenders will be held liable for the payment of damages.
 All rights reserved in the event of the grant of a patent, utility model or design. Copyright © Alfred Kärcher GmbH & Co. KG

- E1 HEIZUNG
HEATING ELEMENT
CHAUFFAGE
CALLEFACCIÓN
- H1 KONTROLLEUCHTE
PILOT LAMP
VOYANT DE CONTRÔLE
LÁMPARA INDICADORA
- J1 STECKER SV
PLUG SV
PRISE MÂLE SV
MACHO DE ENCHUFE SV
- J2 BUEGELEISEN I 6006
SMOOTHING IRON I 6006
FER À REPASSER I 6006
PLANCHA I 6006
- S1 DAMPFSCHALTER
STEAM RELEASE BUTTON
COMMUTATEUR A VAPEUR
INTERRUPTOR VAPOR
- S2 TEMPERATURREGLER
THERMOSTAT
THERMOSTAT
REGULADOR DE TEMPERATURA
- S3 TEMPERATURBEGRENZER
TEMPERATURE LIMITER
THERMOSTAT
LIMITADOR DE LA TEMPERATURA



- BU - BLAU / BLUE / BLEU / AZUL
- BN - BRAUN / BROWN / MARRON / MARRÓN
- GN - GRUEN / GREEN / VERT / VERDE
- BK - SCHWARZ / BLACK / NOIR / NEGRO
- WH - WEISS / WHITE / BLANC / BLANCO
- YE - GELB / YELLOW / JAUNE / AMARILLO
- GY - GRAU / GREY / GRIS / GRIS

Maße werden besonders geprüft especially checked dimensions		Erstmusterprüfung <input type="checkbox"/> first sample examination Bescheinigung EN 10204 <input type="checkbox"/> certification EN 10204	
Werkstoff material / substance	Allgemeintoleranzen general tolerances	Projection E 	Oberfläche / surface EN ISO 1302
Halbzeug semi finished product	Tolerierung / toleration	dimensions in mm	Material-Nr. / material no. 0.089-737.0
Benennung / description SLP Buegeleisen I 6006 – SV 7 Wiring diagram smoothing iron I 6006 – S			
Werkstoffbez. / mat. designation <input type="checkbox"/> geprüft checked	document	number	type version status scale sheet of
Schweiß techn. / welding techn. <input type="checkbox"/> checked	SLP I 6006 – SV	5447322	SLP 00 FR 1:1 1 1
Datum date	Gezeichnet drawn by	Gepreüft checked by	Normgeprüft std. checked by
2015-03-13	AW02215	AW03145	AW03274
		Änderung / Engineering change	
		index Anzahl / count number	
		Ersatz für / replaces	
		Datum / date index	
		0 0 2057291	