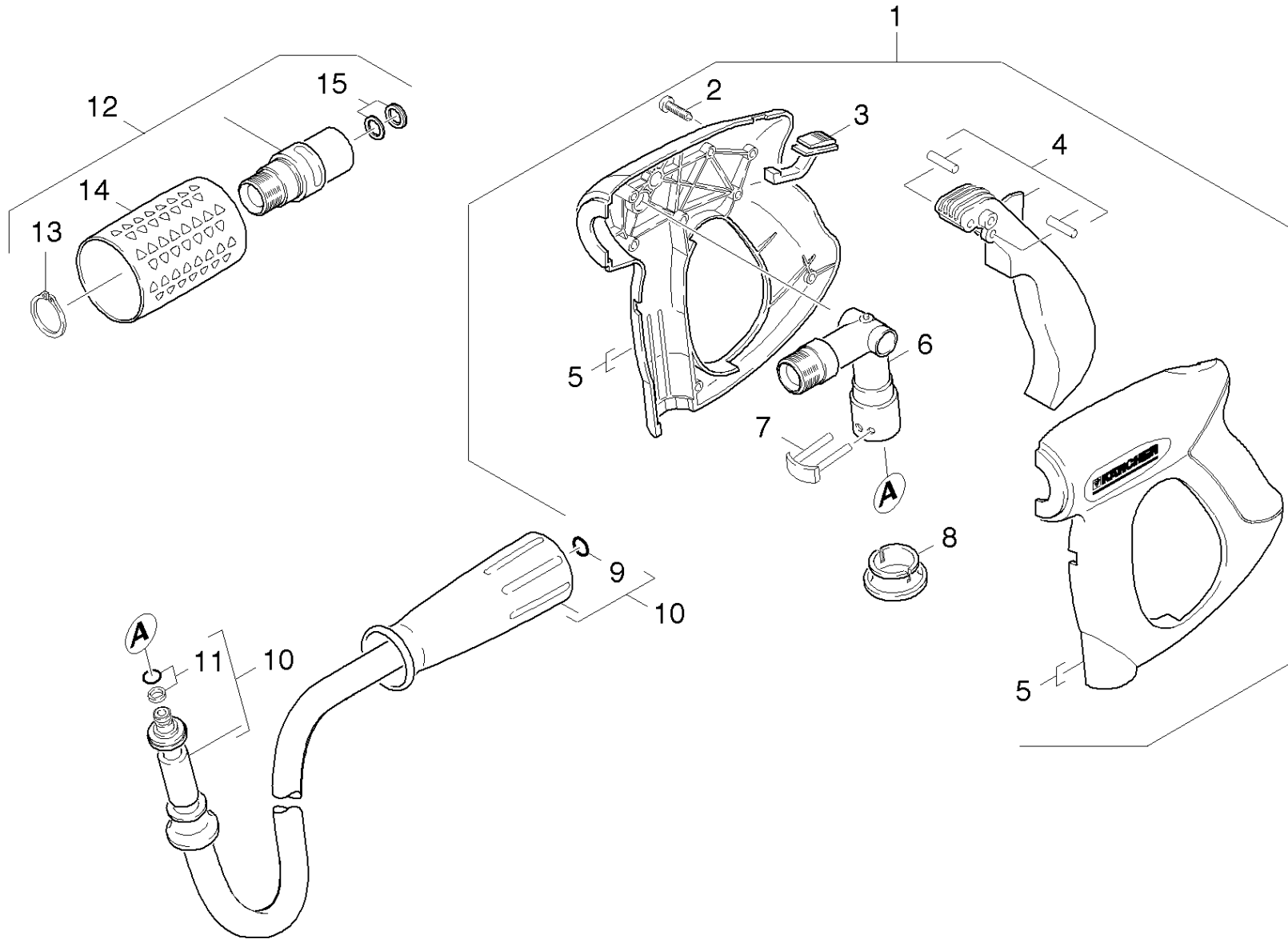


# 41 Hand trigger gun

Overview technical documents/Professional/High pressure cleaner cold water/Electric motor/HD 6/15C PLUS \*CH (1.150-602.0)/Spare parts list HD 6/15, HD 7/18/40 Accessories/41 Hand trigger gun



## 41 Hand trigger gun

Overview technical documents/Professional/High pressure cleaner cold water/Electric motor/HD 6/15C PLUS \*CH (1.150-602.0)/Spare parts list HD 6/15, HD 7/18/40 Accessories/41 Hand trigger gun

Rez.daļas/nodil.pakļ.daļas	Poz.	Materiāla Nr.	Nosaukums	Daudzums	Pārdoš. vienība	no sēr. Nr..	līdz sēr. Nr.
X-X	1	4.775-463.0	Hand Trigger Gun	1.000	ST	0000000000	0000000000
	2	7.303-096.0	Skrūve 4x22 -ST-10.9-R2R (IN6RD)	7.000	ST	0000000000	0000000000
	3	5.481-331.0	Slīdnis	1.000	ST	0000000000	0000000000
X	4	4.481-209.0	level complete	1.000	ST	0000000000	0000000000
X	5	5.321-669.0	Tureklis	1.000	ST	0000000000	0000000000
X-X	6	4.427-215.0	Spare part	1.000	ST	0000000000	0000000000
X-X	7	4.037-013.0	Spare part	1.000	ST	0000000000	0000000000
X-X	8	5.110-596.0	Uzmava	1.000	ST	0000000000	0000000000
X-X	9	2.880-990.0	spare part set o ring from 2.880-296.0	1.000	ST	0000000000	0000000000
X-X	10	6.391-875.0	Augstsp.šļūtene Premium DN6 30MPa 10 m	1.000	ST		
X-X	11	4.363-691.0	O-ring seal	1.000	ST	0000000000	0000000000
X-X	12	4.775-526.0	Rotary controller	1.000	ST	0000000000	0000000000
Pozīcijas teksts: 1.151-601.0 /-602.0 /-603.0 /-604.0/-605.0 /-606.0 /-612.0							
X	13	7.343-069.0	Locking ring	1.000	ST	0000000000	0000000000
Pozīcijas teksts: 1.151-601.0 /-602.0 /-603.0 /-604.0/-605.0 /-606.0 /-612.0							
	14	5.321-668.0	Handle	1.000	ST	0000000000	0000000000
Pozīcijas teksts: 1.151-601.0 /-602.0 /-603.0 /-604.0/-605.0 /-606.0 /-612.0							
X-X	15	4.363-695.0	Grooved ring	1.000	ST		
Pozīcijas teksts: 1.151-601.0 /-602.0 /-603.0 /-604.0/-605.0 /-606.0 /-612.0							