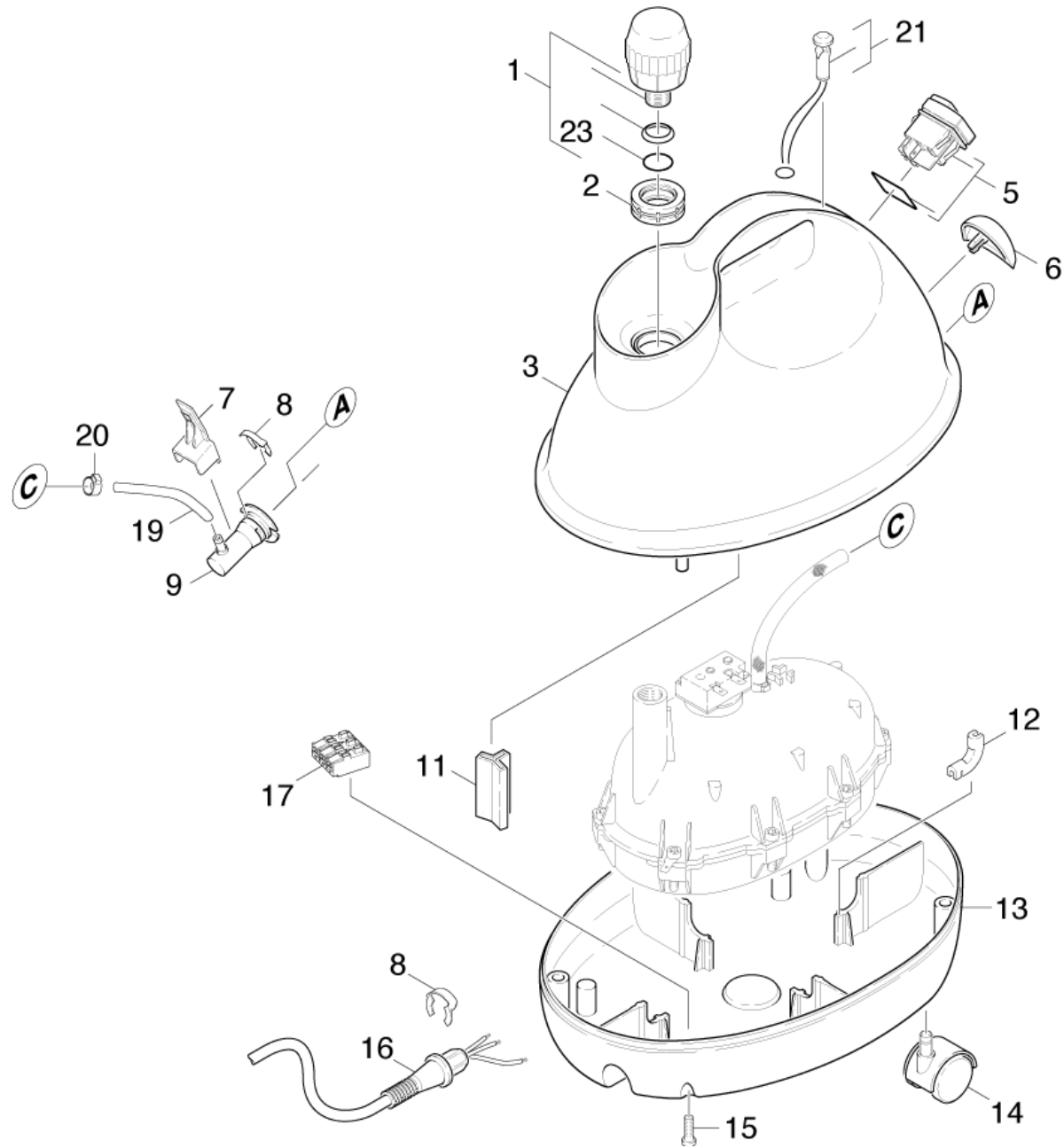


# 10 Housing

Home and Garden \ Steamer \ K 1102 \*EU-II \ Spare parts list K 1102 \ Housing



# 10 Housing

Home and Garden \ Steamer \ K 1102 \*EU-II \ Spare parts list K 1102 \ Housing



| POS | Article no.  | Description                  | Quantity | Unit | Serial number from | Remark | Foot note text |
|-----|--|------------------------------|----------|------|--------------------|--------|----------------|
| 21  | 4.039-041.0  | Cable set K 1102             | 1.000    | ST   |                    |        |                |
| 16  | 6.649-080.0  | Cable with plug *AUS         | 1.000    | ST   |                    |        |                |
|     | <b>Item text1:</b> / 1.204-103.0 / -118.0 / -153.0   |                              |          |      |                    |        |                |
|     | <b>Item text2:</b> / -158.0 / -203.0 / -253.0 / -256.0   |                              |          |      |                    |        |                |
| 16  | 6.647-498.0  | Cable with plug *EU          | 1.000    | ST   |                    |        |                |
|     | <b>Item text1:</b> / 1.204-101.0 / -151.0 / -201.0   |                              |          |      |                    |        |                |
|     | <b>Item text2:</b> / -211.0 / -251.0   |                              |          |      |                    |        |                |
| 16  | 6.647-841.0  | Cable with plug *GB          | 1.000    | ST   |                    |        |                |
|     | <b>Item text1:</b> / 1.204-104.0 / -117.0 / -154.0   |                              |          |      |                    |        |                |
|     | <b>Item text2:</b> / -204.0 / -254.0 / -257.0  |                              |          |      |                    |        |                |
| 14  | 6.435-348.0  | Castor                       | 4.000    | ST   |                    |        |                |
| 20  | 6.389-993.0  | Hose clip 7,5 - 9,0          | 1.000    | ST   |                    |        |                |
| 19  | 6.389-862.0  | Hose silicon DN4             | 1.000    | M    |                    |        |                |
| 13  | 5.060-977.0  | Housing bottom part          | 1.000    | ST   |                    |        | SCHWARZ        |
| 13  | 5.060-714.0  | Housing bottom part          | 1.000    | ST   |                    |        | GRAU           |
| 3   | 5.060-887.0  | Housing top part             | 1.000    | ST   | 119798             |        | GRAU           |
|     | <b>Item text1:</b> / 1.204-101.0 / -102.0 / -103.0 / -104.0 / -117.0 / -118.0 / -201.0 / -202.0 / -203.0 / -204.0 / -211.0 |                              |          |      |                    |        |                |
| 3   | 5.060-781.0  | Housing top part             | 1.000    | ST   |                    | KORN   |                |
|     | <b>Item text1:</b> / 1.204-151.0 / -152.0 / -153.0 / -154.0 / -158.0 / -251.0 / -252.0 / -253.0 / -254.0 / -256.0 / -257.0 |                              |          |      |                    |        |                |
| 7   | 5.481-234.0  | Lever notch                  | 1.000    | ST   |                    |        |                |
| 11  | 5.031-584.0  | Moulded part                 | 1.000    | ST   |                    |        |                |
| 23  | 6.363-277.0  | O-Ring seal yellow           | 1.000    | ST   |                    |        |                |
| 9   | 4.031-029.0  | Plug socket                  | 1.000    | ST   |                    |        | GRAU           |
| 9   | 4.031-049.0  | Plug socket                  | 1.000    | ST   |                    |        | SCHWARZ        |
| 6   | 5.326-013.0  | Push button                  | 1.000    | ST   |                    |        | GRAU           |
| 6   | 5.326-022.0  | Push button RAL 9005         | 1.000    | ST   |                    |        | SCHWARZ        |
| 8   | 6.343-170.0  | Retaining clip               | 2.000    | ST   |                    |        |                |
| 12  | 5.767-010.0  | Rubber buffer                | 4.000    | ST   |                    |        |                |
| 1   | 4.590-083.0  | Safety lock                  | 1.000    | ST   |                    |        |                |
| 15  | 7.303-108.0  | Screw 5x20 -10.9-R2R (In6Rd) | 4.000    | ST   |                    |        |                |
| 2   | 5.363-424.0  | Seal                         | 1.000    | ST   |                    |        |                |
| 16  | 7.777-999.0  | Stockpiling discontinued     | 1.000    | ST   |                    |        |                |
|     | <b>Item text1:</b> / 1.204-102.0 / -152.0 / -202.0   |                              |          |      |                    |        |                |

## 10 Housing

Home and Garden \ Steamer \ K 1102 \*EU-II \ Spare parts list K 1102 \ Housing



| POS | Article no.          | Description         | Quantity | Unit | Serial number from | Remark | Foot note text |
|-----|----------------------|---------------------|----------|------|--------------------|--------|----------------|
|     | Item text2: / -252.0 |                     |          |      |                    |        |                |
| 5   | 6.631-989.0          | Switch              | 1.000    | ST   |                    |        |                |
| 17  | 6.643-555.0          | Terminal clamp      | 1.000    | ST   |                    |        |                |
| 3   | 5.061-223.0          | Top part housing PP | 1.000    | ST   |                    |        | GELB           |