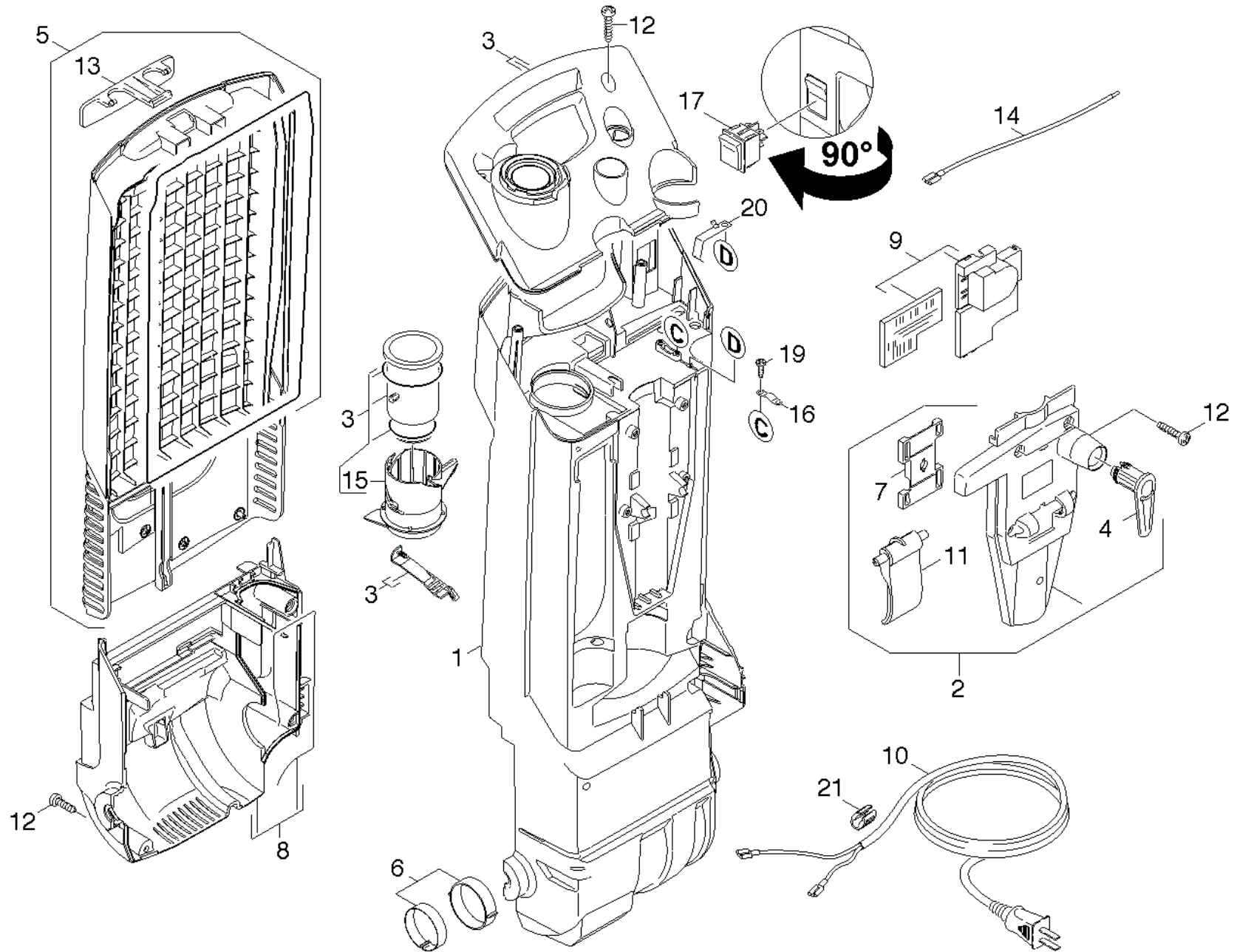


12 Appliance top part

Professional \ Vacuum cleaner \ Dry vacuum cleaner \ FPS-12RE *JP \ Spare parts list FPS-12RE \ Top part \ Appliance top part



12 Appliance top part

Professional \ Vacuum cleaner \ Dry vacuum cleaner \ FPS-12RE *JP \ Spare parts list FPS-12RE \ Top part \ Appliance top part

KÄRCHER

POS	Article no.	Description	Quantity	Unit
6	4.250-079.0	BEARING SHELL kpl.	1.000	ST
4	5.044-661.0	Catch for cable yellow	1.000	ST
9	4.682-088.0	Circuit board complete CV38/1	1.000	ST
7	5.032-448.0	CLAMP	1.000	ST
16	6.903-241.0	Clamp clip	1.000	ST
11	5.481-345.0	Clamp lever	1.000	ST
13	5.075-030.0	Closure cover	1.000	ST
5	4.064-033.0	Cover complete red RAL 3020	1.000	ST
2	4.032-003.0	Covering cap complete only for replaceme	1.000	ST
3	4.032-004.0	Covering cap electric	1.000	ST
8	4.053-224.0	Covering cap motor complete nur fuer Ers	1.000	ST
14	4.839-340.0	Electrical small parts	1.000	ST
1	5.060-991.0	Housing	1.000	ST
15	5.481-352.0	OPERATING LEVER	1.000	ST
21	5.033-161.0	Plug fixing *JP	1.000	ST
10	4.649-004.0	Power cable only for replacement *JP	1.000	ST
17	6.630-156.0	Rocker switch black	1.000	ST
19	6.303-318.0	Screw 3,5x12-10.9-R2R (IN6RD)	2.000	ST
12	7.303-108.0	Screw 5x20 -10.9-R2R (In6Rd)	9.000	ST
20	5.034-689.0	Spring earthing	1.000	ST