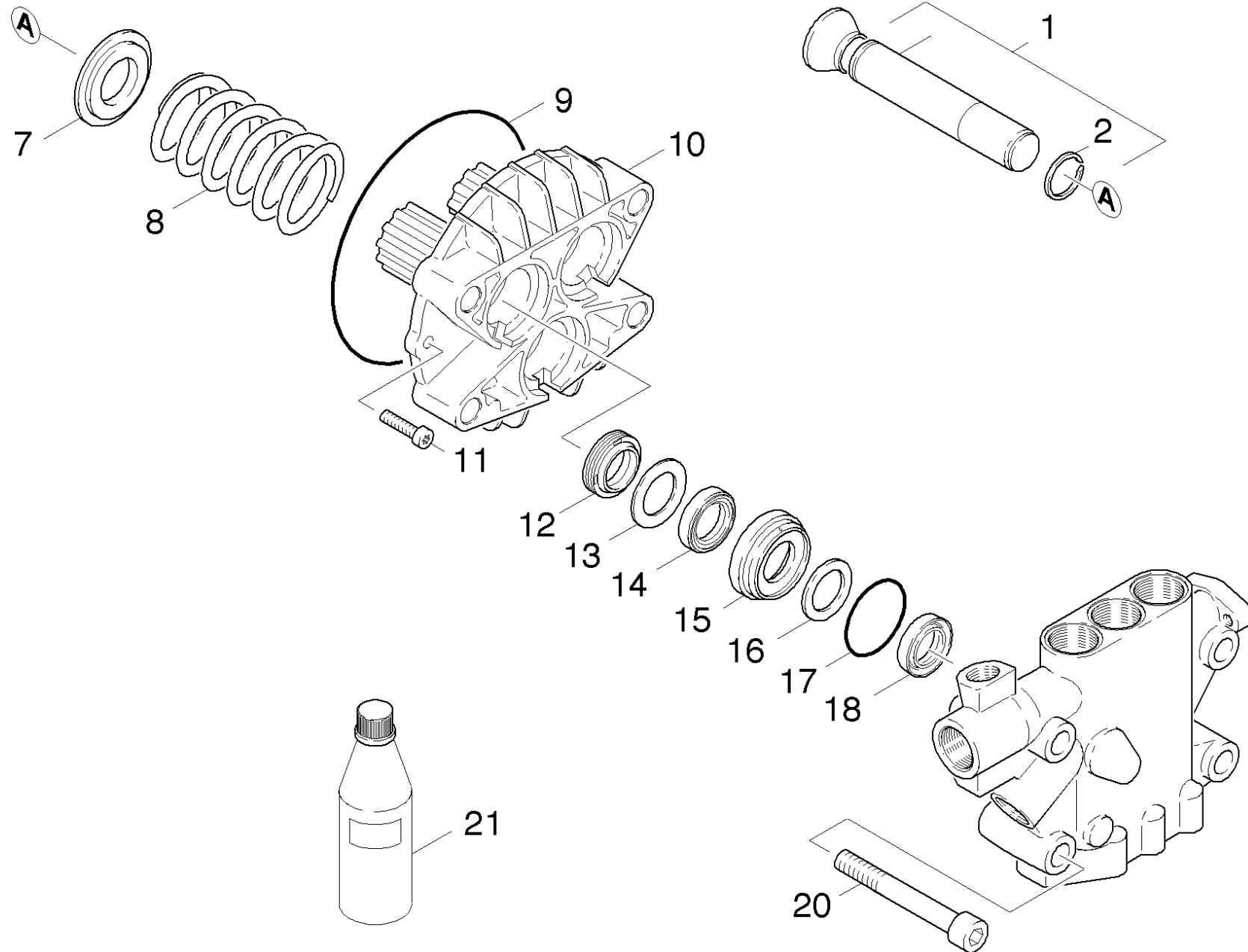


21 Piston

Professional \ High pressure cleaner hotwater \ Electric motor \ HDS 2000 SUPER *EU \ Spare parts list HDS 2000 SUPER \ Pump set \ Piston



21 Piston

Professional \ High pressure cleaner hotwater \ Electric motor \ HDS 2000 SUPER *EU \ Spare parts list HDS 2000 SUPER \ Pump set \ Piston



POS	Article no.	Description	Quantity	Unit	Remark
1	4.553-283.0	Piston complete only for replacement	6.000	ST	
2	6.343-142.0	Snap ring WR 22	6.000	ST	
7	5.115-522.0	Washer	6.000	ST	
8	5.332-281.0	Helical spring	6.000	ST	
9	6.362-796.0	O-Ring seal 107,62X 2,62	2.000	ST	
10	5.060-397.3	Housing	2.000	ST	
11	7.306-105.0	Screw M6x30 -8.8-R3R (In6Rd)	4.000	ST	
12	6.365-059.0	Grooved ring 22X30X6/8	6.000	ST	
13	5.115-520.0	Washer	6.000	ST	
14	6.365-056.0	Compact seal 22X32X6	6.000	ST	
15	5.112-414.3	Bush	6.000	ST	
16	5.115-521.0	Washer	6.000	ST	
17	6.362-092.0	O-Ring seal 36,0 X 2,0-NBR 70	6.000	ST	
18	6.365-055.0	Grooved ring 22x30x5	6.000	ST	
20	7.306-155.0	Cylinder head screw M12x100 -8.8-A3E IS	8.000	ST	
21	6.288-016.0	Gear oil 1L	1.000	ST	
100	2.883-302.0	Pump set	1.000	ST	NUR FÜR PUMPE 1, ONLY FOR PUMP 1;