

## **Spare parts list**

(1.512-454.0) SI 4 EasyFix Iron (yellow) \*EU

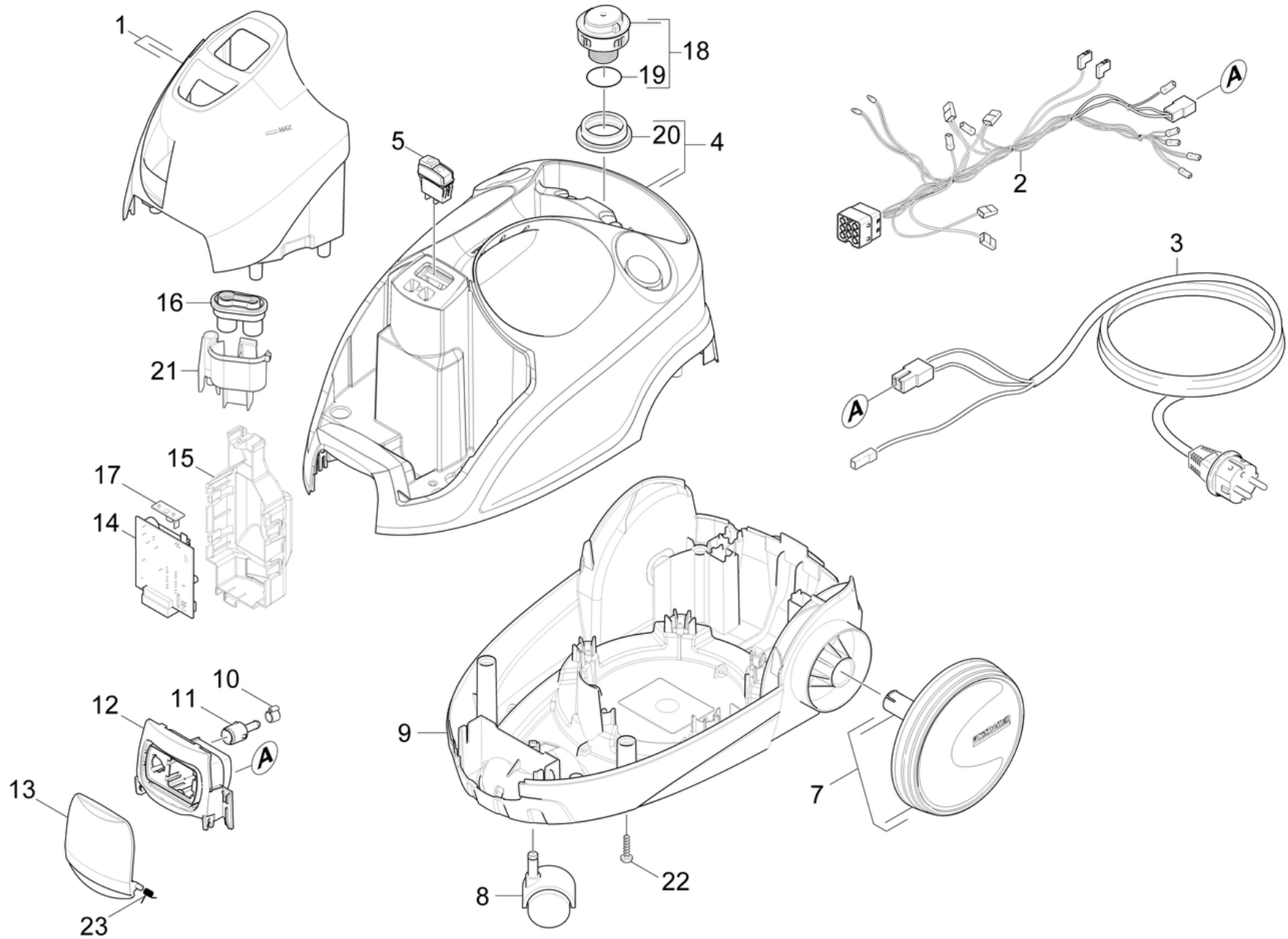
## Table of contents

---

SI 4 EasyFix Iron (yellow) *EU (1.512-454.0)	3
10 Housing	4
20 Boiler	6
13 Pump complete MK (4.473-020.0)	8
30 Steam hose	10
40 Accessories	12
2 Point jet nozzle complete PA (4.130-021.0)	14
6 Extension pipe (4.127-024.0)	16
10 Power nozzle (2.884-282.0)	18
50 Smoothing iron	20
1 Smoothing iron special accessories I 600 (2.863-208.0)	22
997 Ironing board AB 1000 *EU-I (2.884-933.0)	24
Spare parts list ironing board AB 1000 (5.970-626.0)	25
10 Ironing board	26

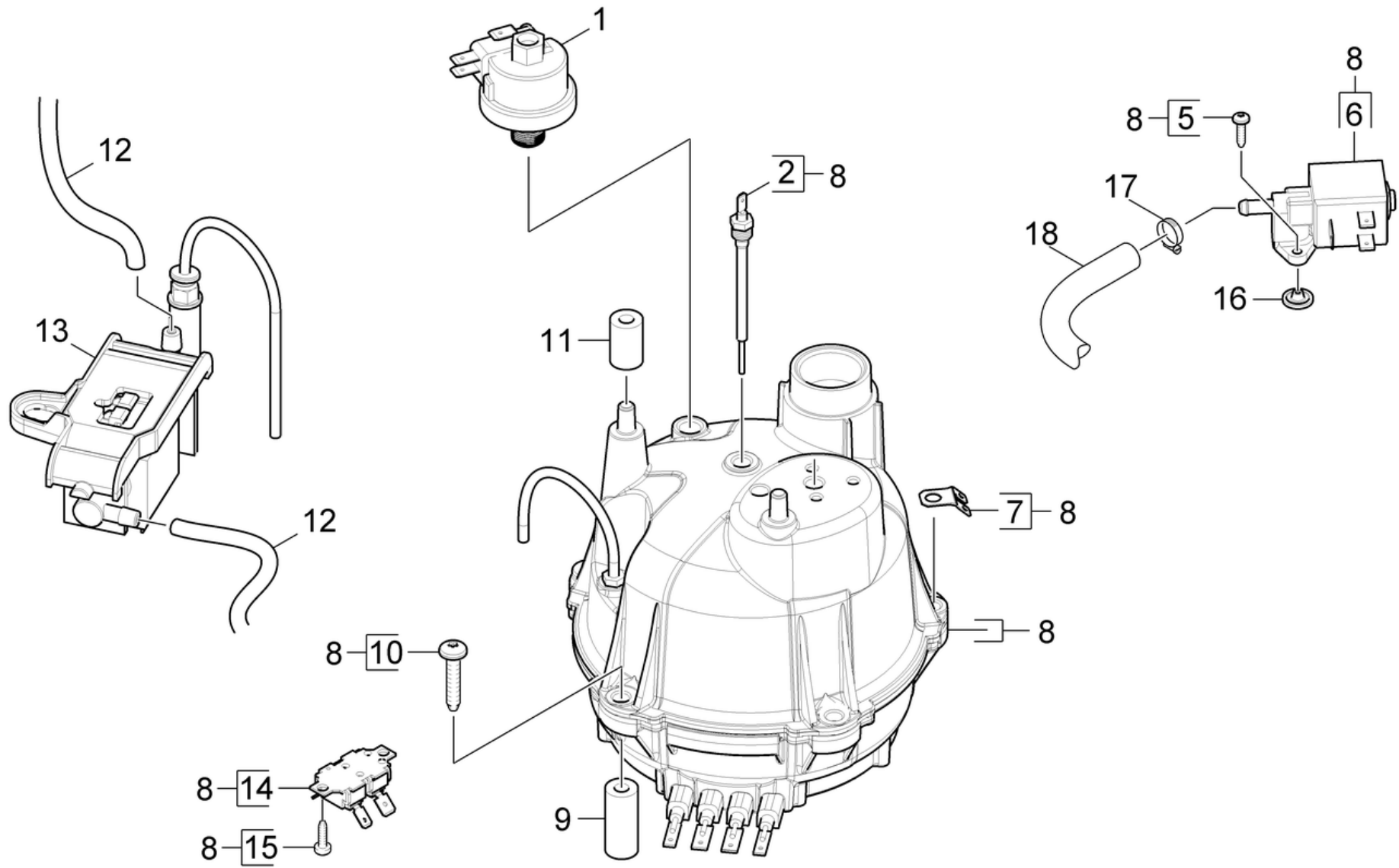
SI 4 EasyFix Iron (yellow) \*EU (1.512-454.0)

POS	Article no.	Description	Quantity	Unit
10		Housing	1.000	ST
20		Boiler	1.000	ST
30		Steam hose	1.000	ST
40		Accessories	1.000	ST
50		Smoothing iron	1.000	ST
997	2.884-933.0	Ironing board AB 1000 *EU-I	1.000	ST



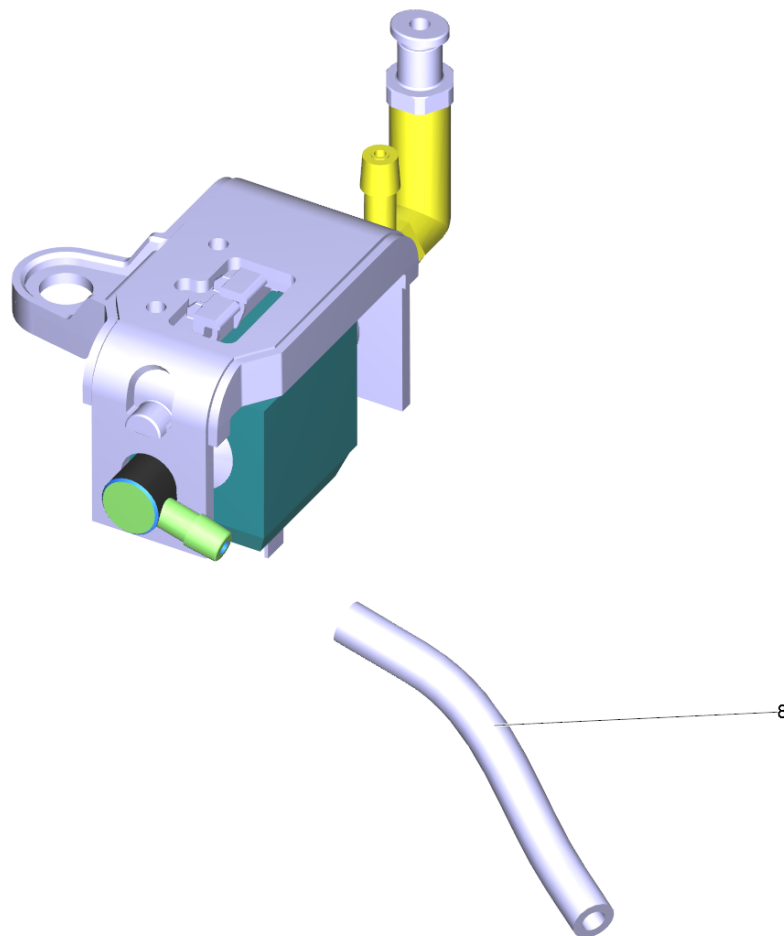
## 10 Housing

POS	Article no.	Description	Quantity	Unit
1	4.512-036.0	Tank complete replacement SC 2.600/SC 2.	1.000	ST
2	4.039-051.0	Cable set with insert SC 4	1.000	ST
3	6.649-797.0	Cable with plug EU 4m	1.000	ST
4	4.512-089.0	Upper housing replacement white SC 4 soc	1.000	ST
5	4.744-169.0	Switch complete only for replacement	1.000	ST
6	4.515-321.0	Screen set replacement gy	1.000	ST
7	4.515-318.0	Wheel set replacement bk	1.000	ST
8	6.435-857.0	Castor	1.000	ST
9	5.512-026.0	Housing bottom part Powersocket r-r	1.000	ST
10	6.389-882.0	Hose clip 8,5-10,0	1.000	ST
11	5.409-611.0	Nipple plug socket	1.000	ST
12	5.512-040.0	Plug socket EFH	1.000	ST
13	5.512-029.0	Cover plug socket	1.000	ST
14	6.512-005.0	Electronics EFH-MK	1.000	ST
15	5.512-067.0	Carrier electronics MK DIY	1.000	ST
16	4.580-637.0	Valve tank replacement	1.000	ST
17	6.512-012.0	Electronics display MK DIY	1.000	ST
18	4.580-760.0	Maintenance closure complete replacement	1.000	ST
19	6.363-468.0	O-Ring seal EPDM 22x3	1.000	ST
20	5.363-745.0	Seal connection piece M24	1.000	ST
21	5.512-046.0	Carrier valve EFH-MK	1.000	ST
22	7.303-108.0	Screw 5x20 -10.9-R2R (In6Rd)	1.000	ST
23	6.332-002.0	Torsion spring plug socket base	1.000	ST



## 20 Boiler

POS	Article no.	Description	Quantity	Unit	Foot note text
1	6.413-533.0	Pressure controller 3,2 bar	1.000	ST	
2	4.512-028.0	Probe complete replacement	1.000	ST	
5	7.303-032.0	Screw M4x12 -St-R2R (In6Rd)	2.000	ST	
6	6.686-020.0	Solenoid valve without regulation	1.000	ST	
7	6.651-519.0	Tab	1.000	ST	
8	4.070-068.0	Boiler degreased replacement SC 4	1.000	ST	
9	6.512-001.0	Bearing rubber bottom	5.000	ST	
10	6.303-324.0	M6 X 32 TORX DRIVE PAN HD SPECIAL POINT	5.000	ST	
11	6.512-002.0	Bearing rubber above	2.000	ST	TO ORDER AS CUT GOODS
12	6.391-336.0	Hose	1.000	M	TO ORDER AS CUT GOODS
13	4.473-020.0	Pump complete MK	1.000	ST	
14	6.630-483.0	Thermostat	1.000	ST	
15	7.303-031.0	Screw M4x10 -St-P2R (In6Rd)	2.000	ST	
16	5.363-751.0	Seal throttle 1,6 mm	1.000	ST	
17	6.389-993.0	Hose clip 7,5 - 9,0	1.000	ST	
18	6.389-862.0	Hose silicon DN4	1.000	M	TO ORDER AS CUT GOODS

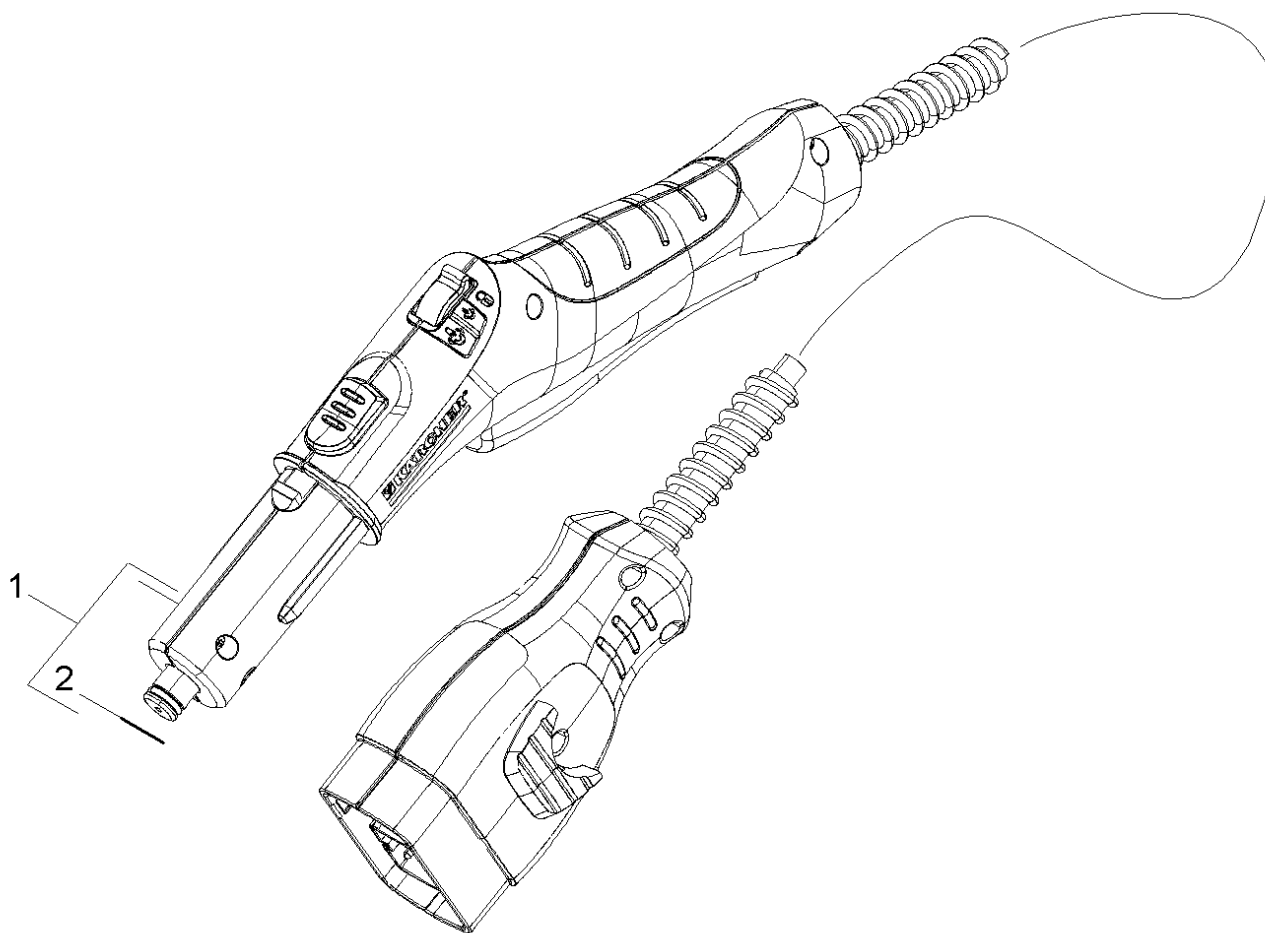




13 Pump complete MK (4.473-020.0)

---

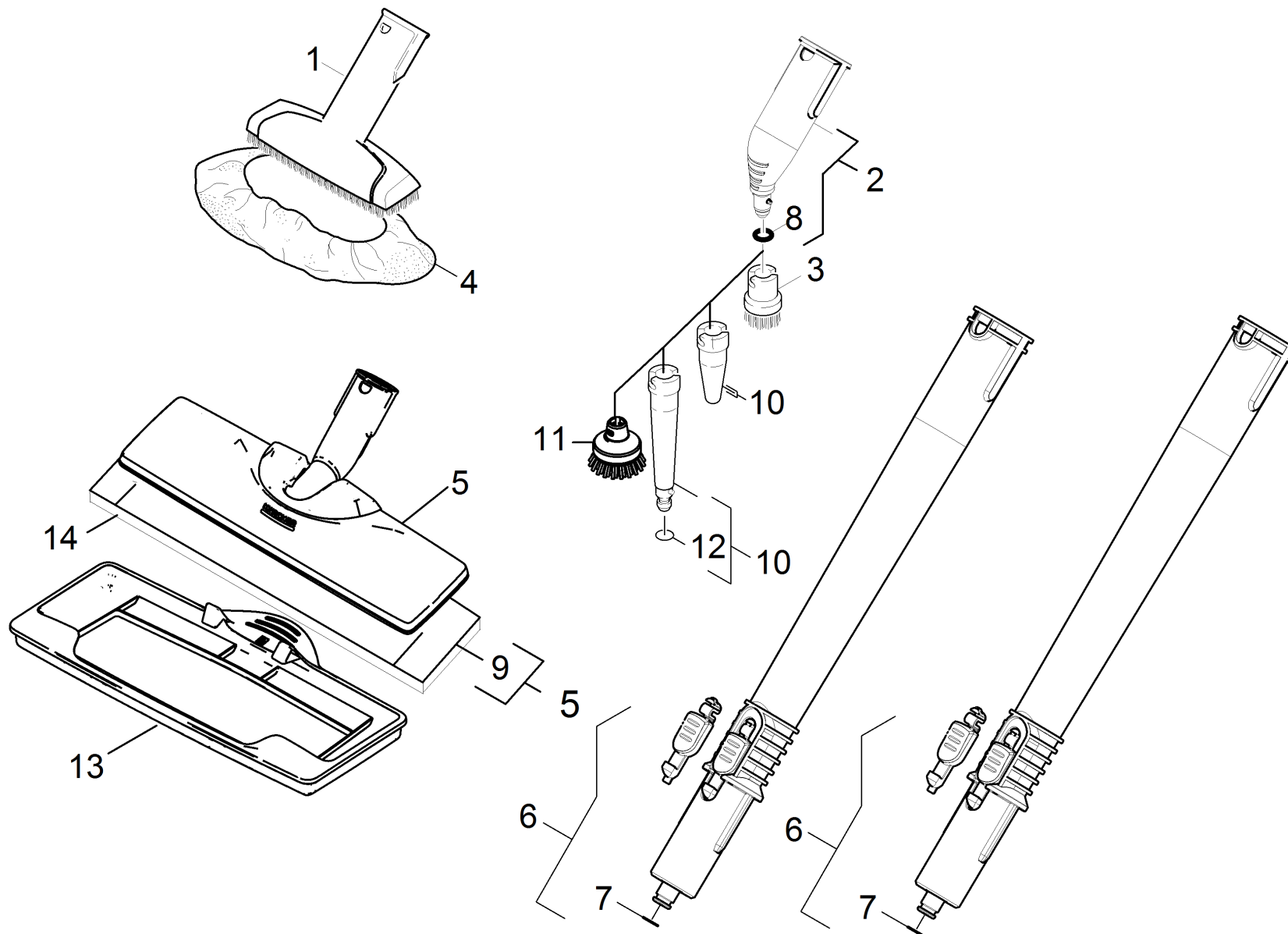
<b>POS</b>	<b>Article no.</b>	<b>Description</b>	<b>Quantity</b>	<b>Unit</b>
8	6.391-336.0	Hose	1.000	M



## 30 Steam hose

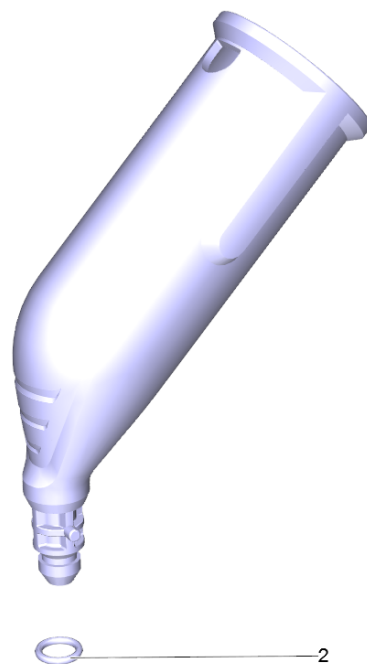
---

POS	Article no.	Description	Quantity	Unit
1	4.322-051.0	Steam hose replacement mech. bk/yw	1.000	ST
2	6.362-922.0	O-Ring seal 8,73x1,78	1.000	ST



## 40 Accessories

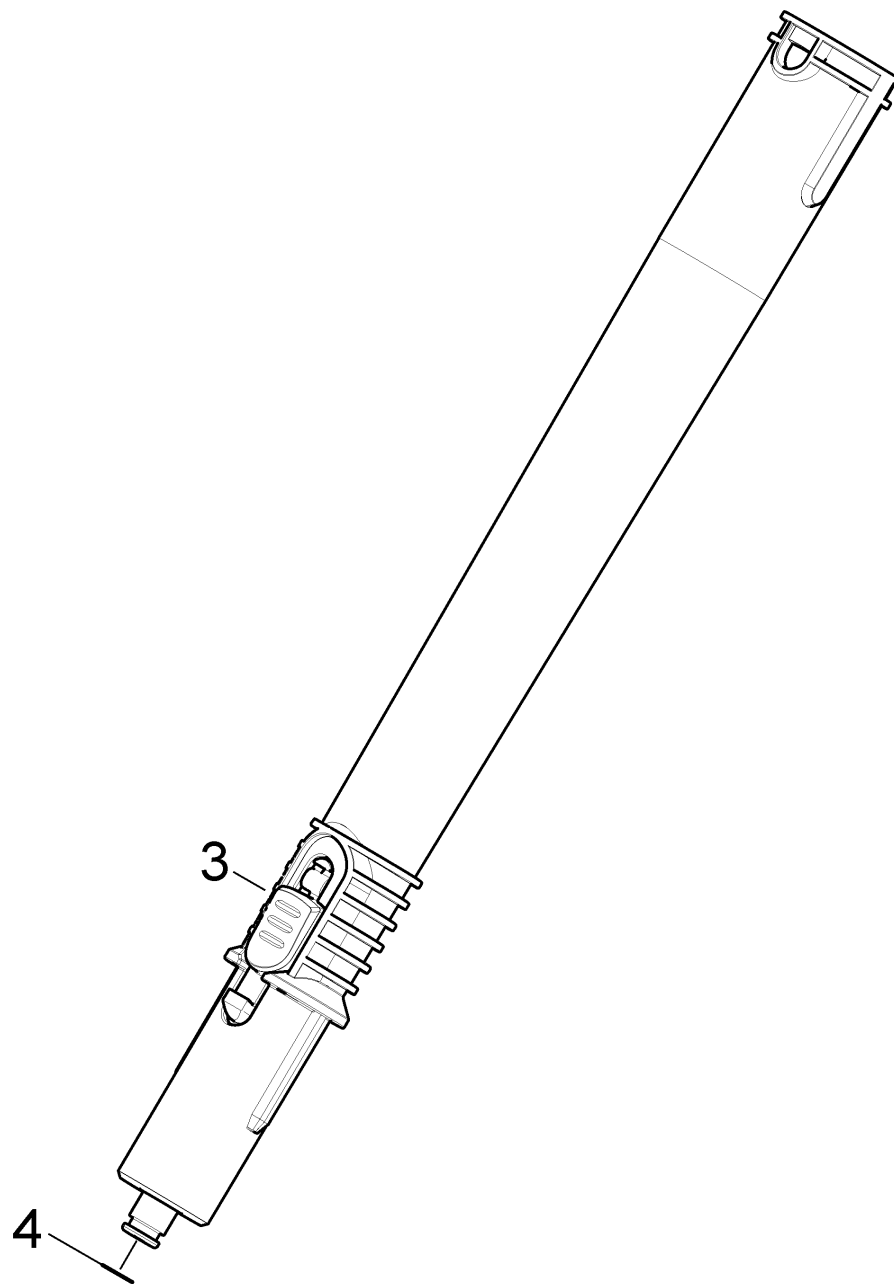
POS	Article no.	Description	Quantity	Unit
1	2.884-280.0	Hand nozzle	1.000	ST
2	4.130-021.0	Point jet nozzle complete PA	1.000	ST
3	2.863-264.0	Round brushes set	1.000	ST
3	2.863-061.0	Bristle rink set CuZn	1.000	ST
4	2.863-270.0	Microfibre covers for hand nozzle	1.000	ST
5	2.863-267.0	Floor nozzle set EasyFix	1.000	ST
6	4.127-024.0	Extension pipe	2.000	ST
7	6.362-922.0	O-Ring seal 8,73x1,78	2.000	ST
8	6.362-186.0	O-Ring seal 7,65X 1,78	1.000	ST
9	2.863-259.0	Microfibre floor cloths EasyFix (2-er Se	1.000	ST
10	2.884-282.0	Power nozzle	1.000	ST
11	2.863-022.0	Round brush large special accessories	1.000	ST
12	6.362-924.0	O-Ring seal 6,02X 2,62	1.000	ST
13	2.863-269.0	Carpet slider	1.000	ST
14	2.863-266.0	Microfibre cloth set bath	1.000	ST
14	2.863-265.0	Microfibre cloth set kitchen	1.000	ST



2 Point jet nozzle complete PA (4.130-021.0)

---

POS	Article no.	Description	Quantity	Unit
2	6.362-186.0	O-Ring seal 7,65X 1,78	1.000	ST

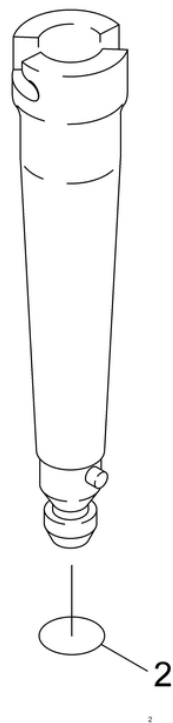




6 Extension pipe (4.127-024.0)

---

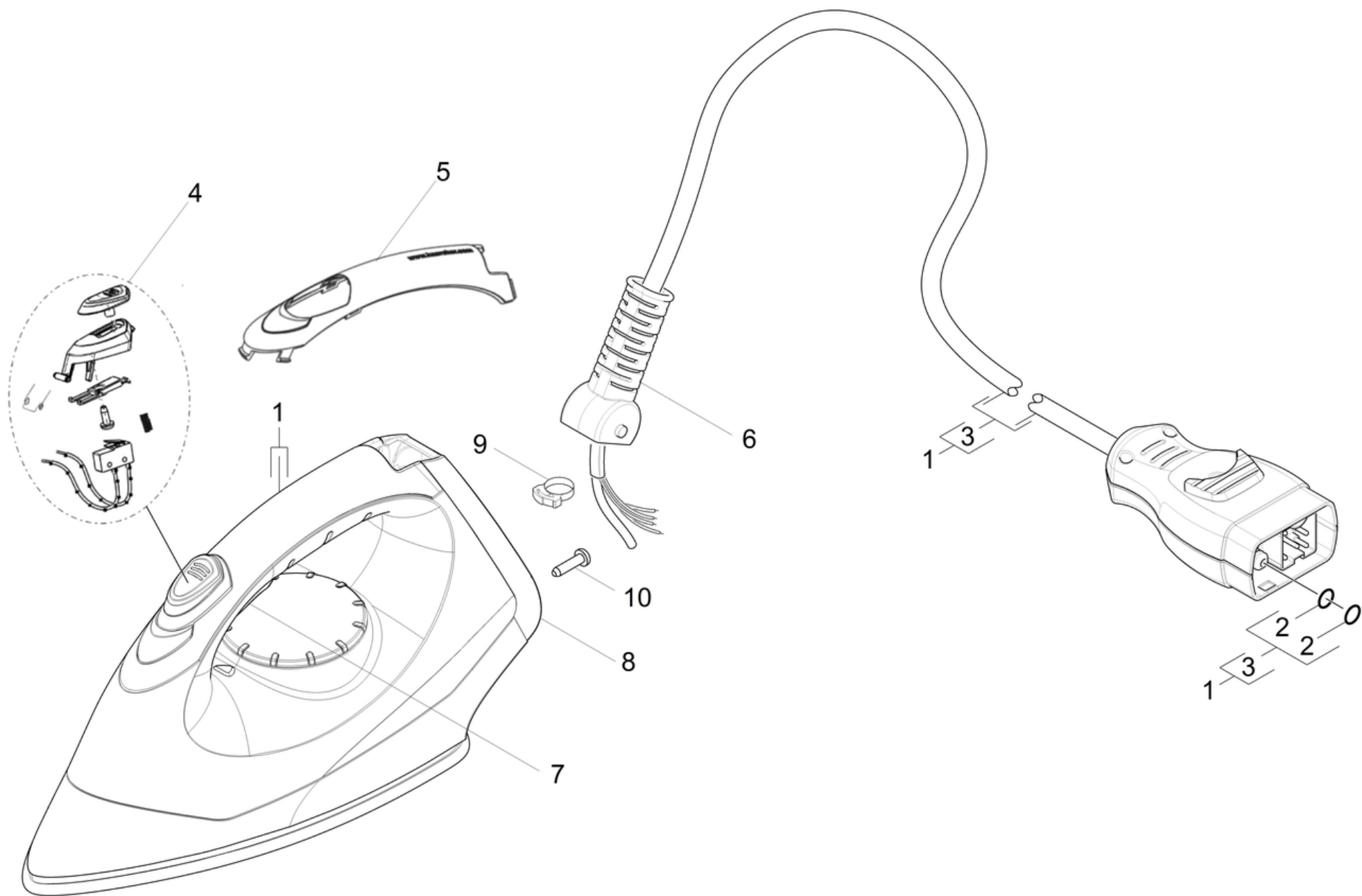
POS	Article no.	Description	Quantity	Unit
3	5.037-220.0	Snap-fit	1.000	ST
4	6.362-922.0	O-Ring seal 8,73x1,78	1.000	ST



10 Power nozzle (2.884-282.0)

---

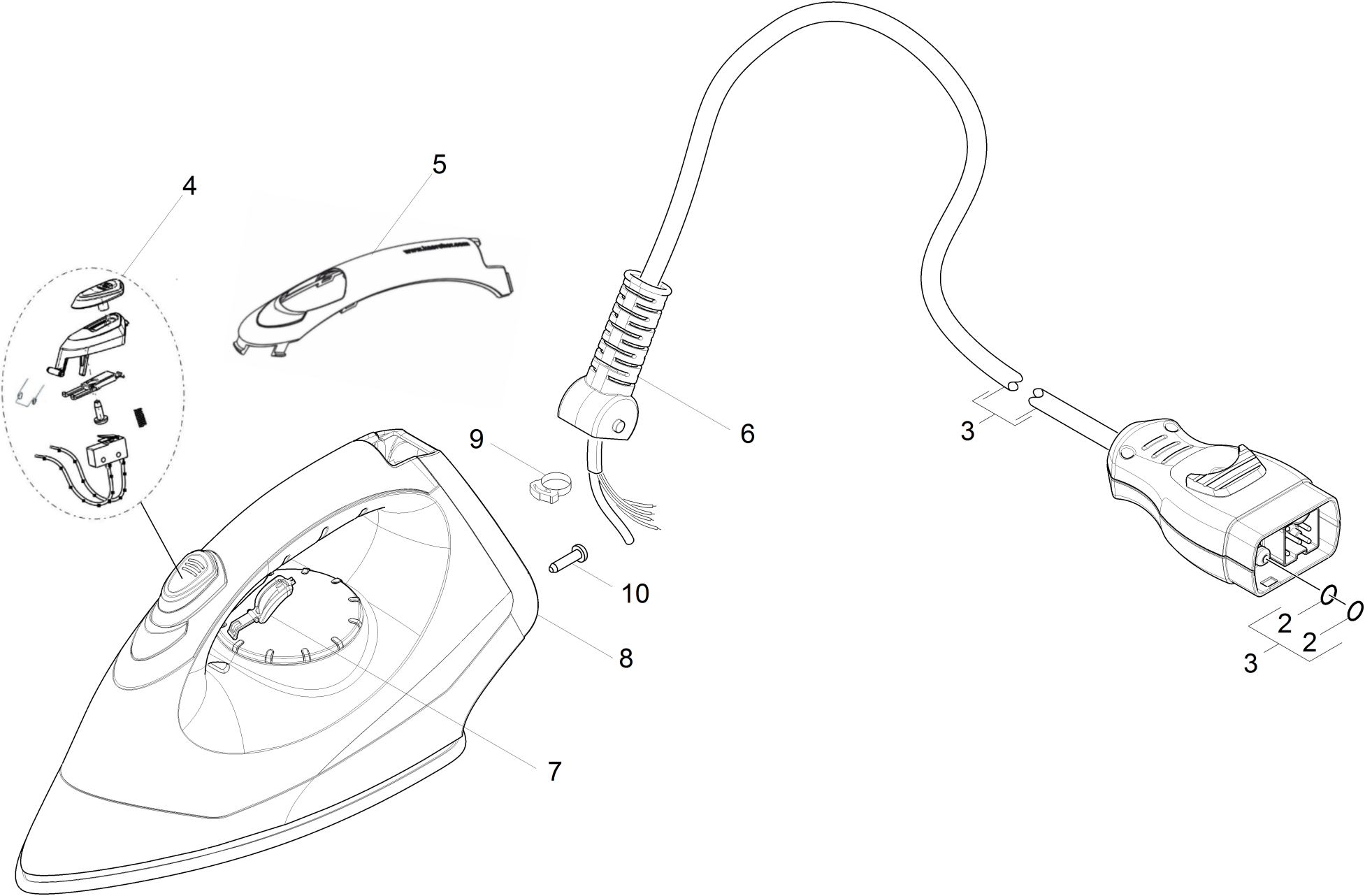
POS	Article no.	Description	Quantity	Unit
2	6.362-924.0	O-Ring seal 6,02X 2,62	1.000	ST



## 50 Smoothing iron

---

POS	Article no.	Description	Quantity	Unit
1	2.863-208.0	Smoothing iron special accessories I 600	1.000	ST
2	6.362-923.0	O-Ring seal 6,75X 1,78	2.000	ST
3	4.322-010.0	Steam hose complete replacement I 6006 w	1.000	ST
4	4.862-006.0	Set pushbutton smoothing iron I 6006	1.000	ST
5	4.512-113.0	Covering cap handhold replacement yw	1.000	ST
6	5.862-023.0	Bend protection I 6006 bk	1.000	ST
7	5.862-031.0	Pushbutton bottom I 6006 bk	1.000	ST
8	6.862-000.0	Rear panel smoothing iron replacement I	1.000	ST
9	6.389-993.0	Hose clip 7,5 - 9,0	1.000	ST
10	7.303-092.0	Screw 3x12 -10.9-R2R (K-In6Rd)	1.000	ST



## 1 Smoothing iron special accessories I 600 (2.863-208.0)

---

<b>POS</b>	<b>Article no.</b>	<b>Description</b>	<b>Quantity</b>	<b>Unit</b>
2	6.362-923.0	O-Ring seal 6,75X 1,78	2.000	ST
3	4.322-010.0	Steam hose complete replacement I 6006 w	1.000	ST
4	4.862-006.0	Set pushbutton smoothing iron I 6006	1.000	ST
5	4.512-113.0	Covering cap handhold replacement yw	1.000	ST
6	5.862-023.0	Bend protection I 6006 bk	1.000	ST
7	5.862-031.0	Pushbutton bottom I 6006 bk	1.000	ST
8	6.862-000.0	Rear panel smoothing iron replacement I	1.000	ST
9	6.389-993.0	Hose clip 7,5 - 9,0	1.000	ST
10	7.303-092.0	Screw 3x12 -10.9-R2R (K-In6Rd)	1.000	ST

997 Ironing board AB 1000 \*EU-I (2.884-933.0)

---

<b>POS</b>	<b>Article no.</b>	<b>Description</b>	<b>Quantity</b>	<b>Unit</b>
0	5.970-626.0	Spare parts list ironing board AB 1000	1.000	ST

---

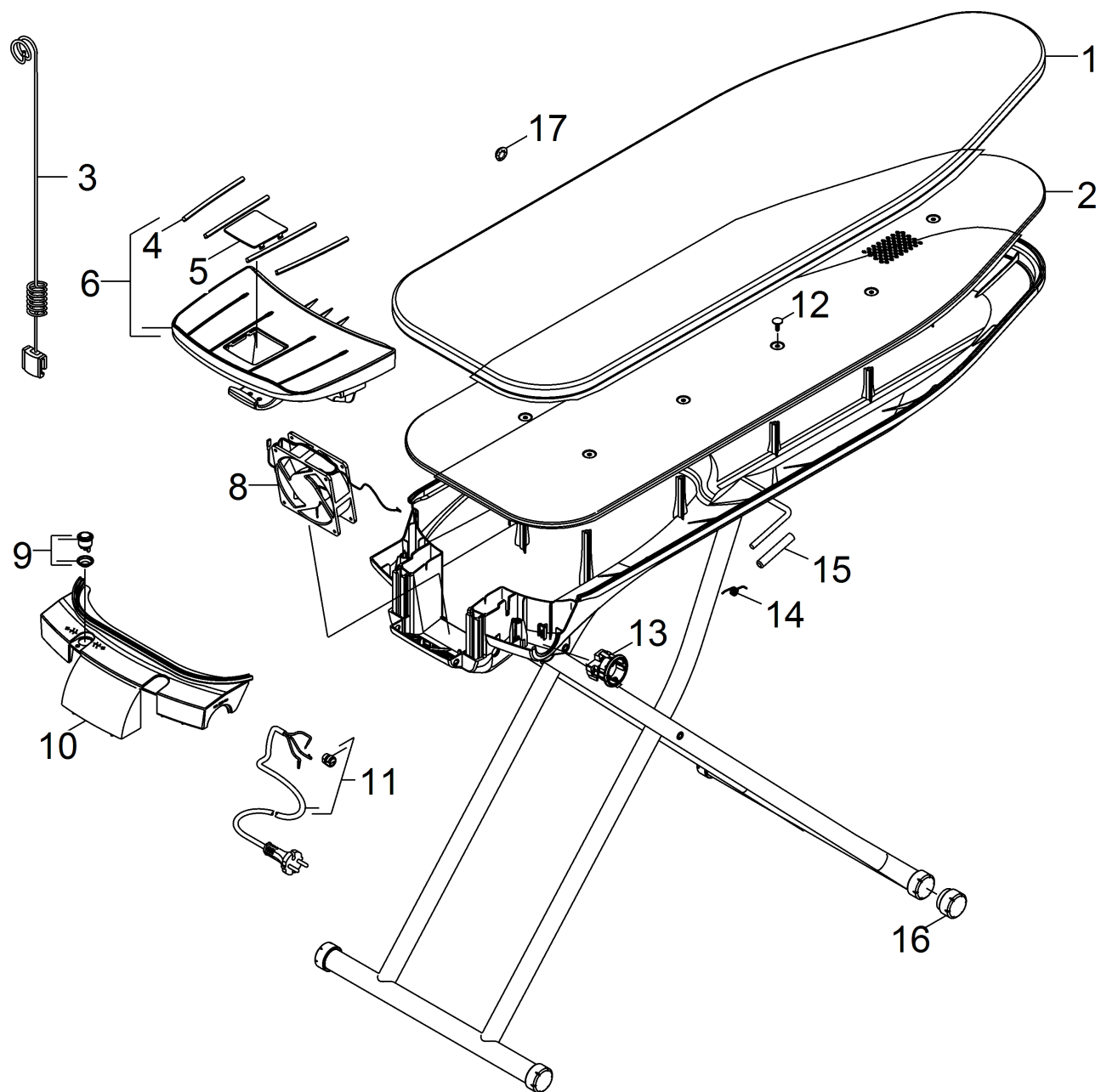


Spare parts list ironing board AB 1000 (5.970-626.0)

---

<b>POS</b>	<b>Description</b>	<b>Quantity</b>	<b>Unit</b>
10	Ironing board	1.000	ST

---



## 10 Ironing board

POS	Article no.	Description	Quantity	Unit	Serial number from	Serial number to	Remark
1	2.884-969.0	Ironing board cover	1.000	ST			
2	6.884-017.0	Heating surface complete NEU n.f.Ersatz	1.000	ST	420705201		
2	6.884-002.0	Heating surface complete AB 1000	1.000	ST		420705200	
3	6.044-001.0	Holder cable replacement AB 1000	1.000	ST			
4	4.884-001.0	Strip insulating AB 1000	1.000	ST			
5	5.033-135.0	Cover ironing board AB 1000	1.000	ST			
6	4.518-006.0	Tray complete AB 1000	1.000	ST			
8	6.884-011.0	Blower replacement AB 1000	1.000	ST			
9	6.884-004.0	Switch complete AB 1000	1.000	ST			
10	6.884-016.0	Covering cap NEU n.f.Ersatz AB 1000	1.000	ST	420705201		
10	6.884-001.0	Covering cap for replacement AB 1000	1.000	ST		420705200	
11	6.884-013.0	Cable with strain relief AB1000 *CH	1.000	ST			/*CH
11	6.884-009.0	Cable with strain relief AB 1000	1.000	ST			/*EU
12	6.884-018.0	Holder 16 St., n.f.Ersatz AB	16.000	ST	420705201		
12	6.884-003.0	Holder AB 1000	9.000	ST		420705200	
13	6.884-014.0	Plug socket AB 1000 *CH	1.000	ST			/*CH
13	6.884-010.0	Plug socket AB 1000	1.000	ST			/*EU
14	6.884-007.0	Torsion spring AB 1000	1.000	ST			
15	6.884-006.0	Handhold AB 1000	1.000	ST			
16	6.884-008.0	Cap for frame AB 1000	4.000	ST			
17	6.343-132.0	Lock washer 8	1.000	ST			