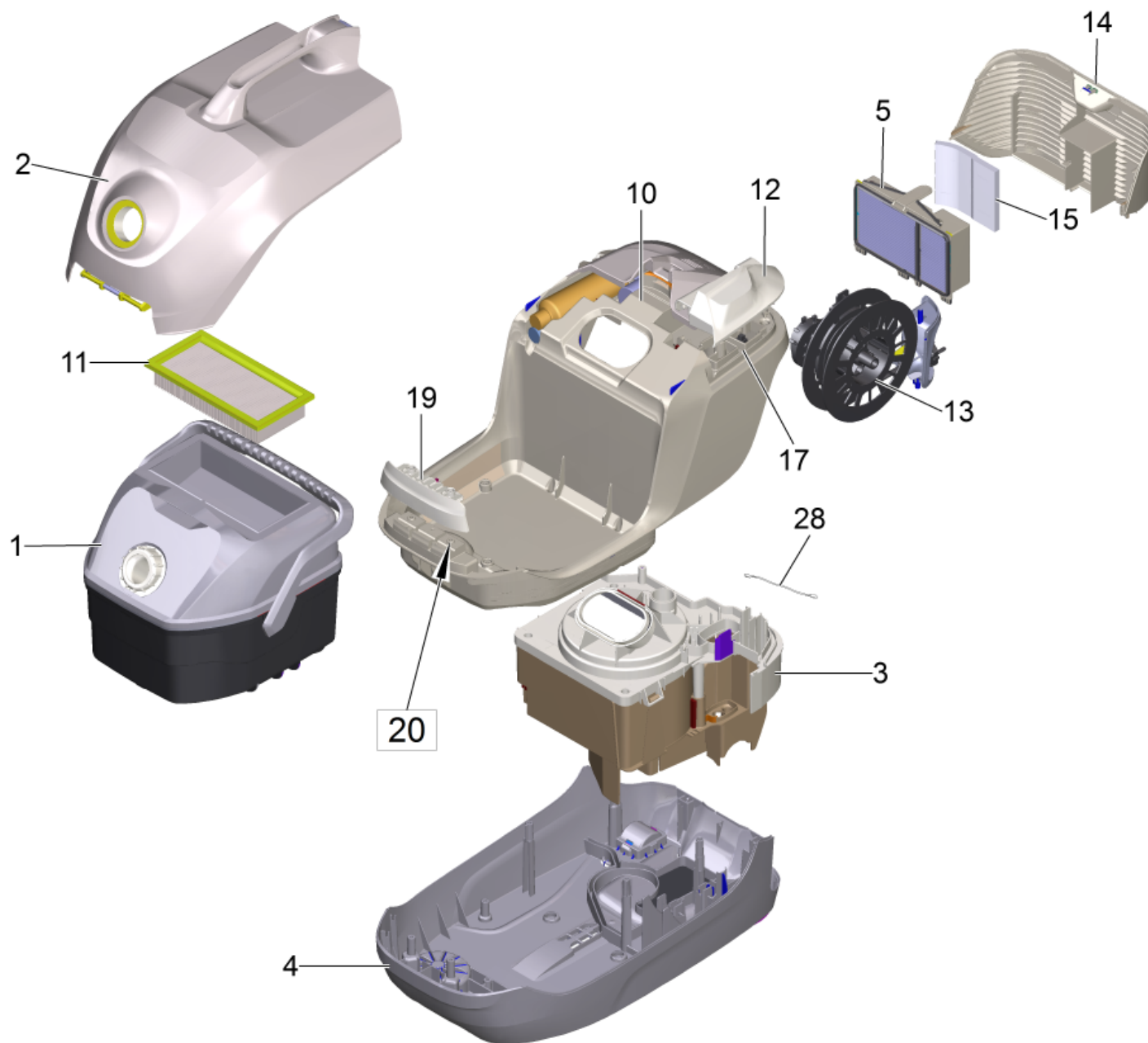


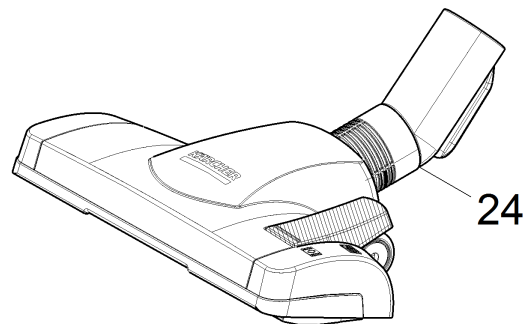
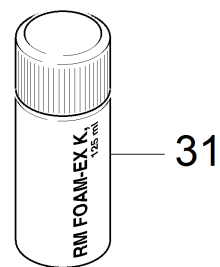
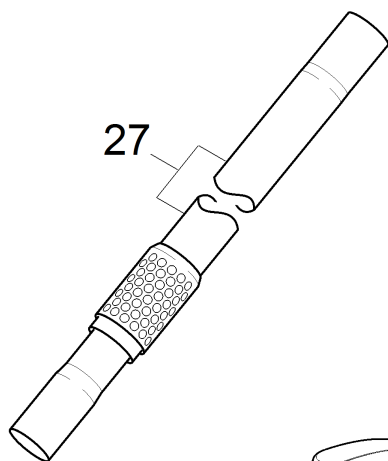
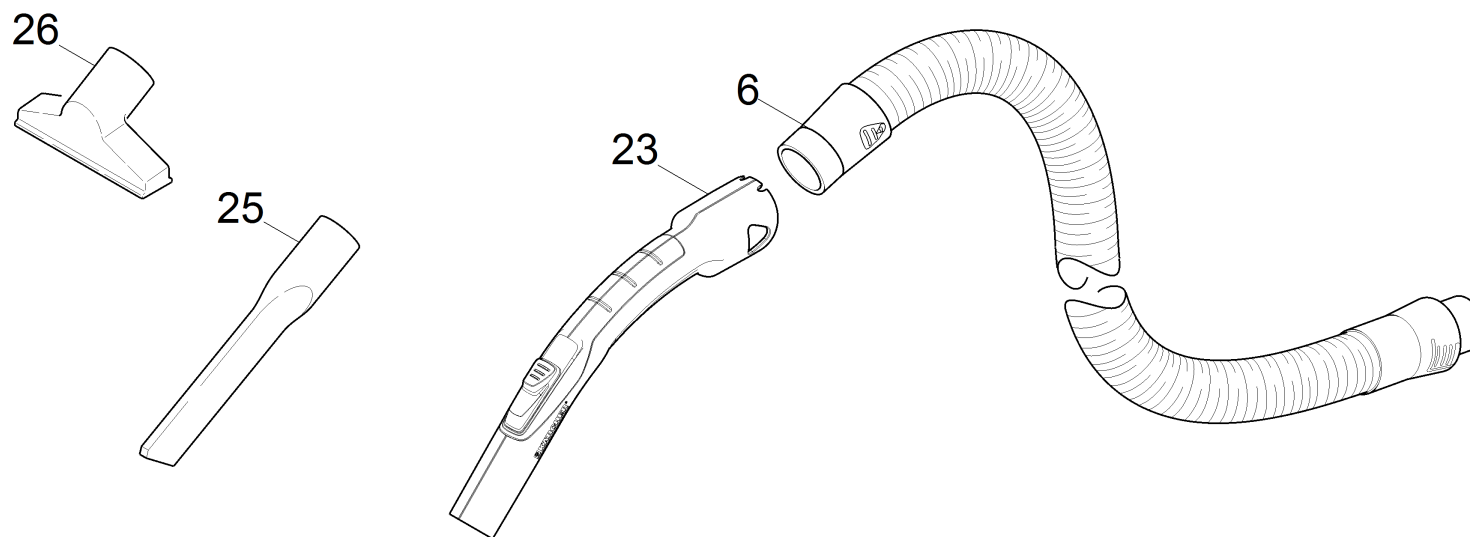
Spare parts list

(1.195-220.0) DS 6 *EU

Table of contents

DS 6 *EU (1.195-220.0)	3
1 Water filter complete for replacement (4.195-223.0)	6
2 Front flap yellow complete	8
9000 Slider complete for replacement (4.195-224.0)	10
3 Motor unit	12
1 Air circulation complete for replacement (4.195-226.0)	14
4 Housing bottom part complete fuer Ersatz (4.195-237.0)	16
10 Upper housing set replacement DS 5.800 (4.195-256.0)	18





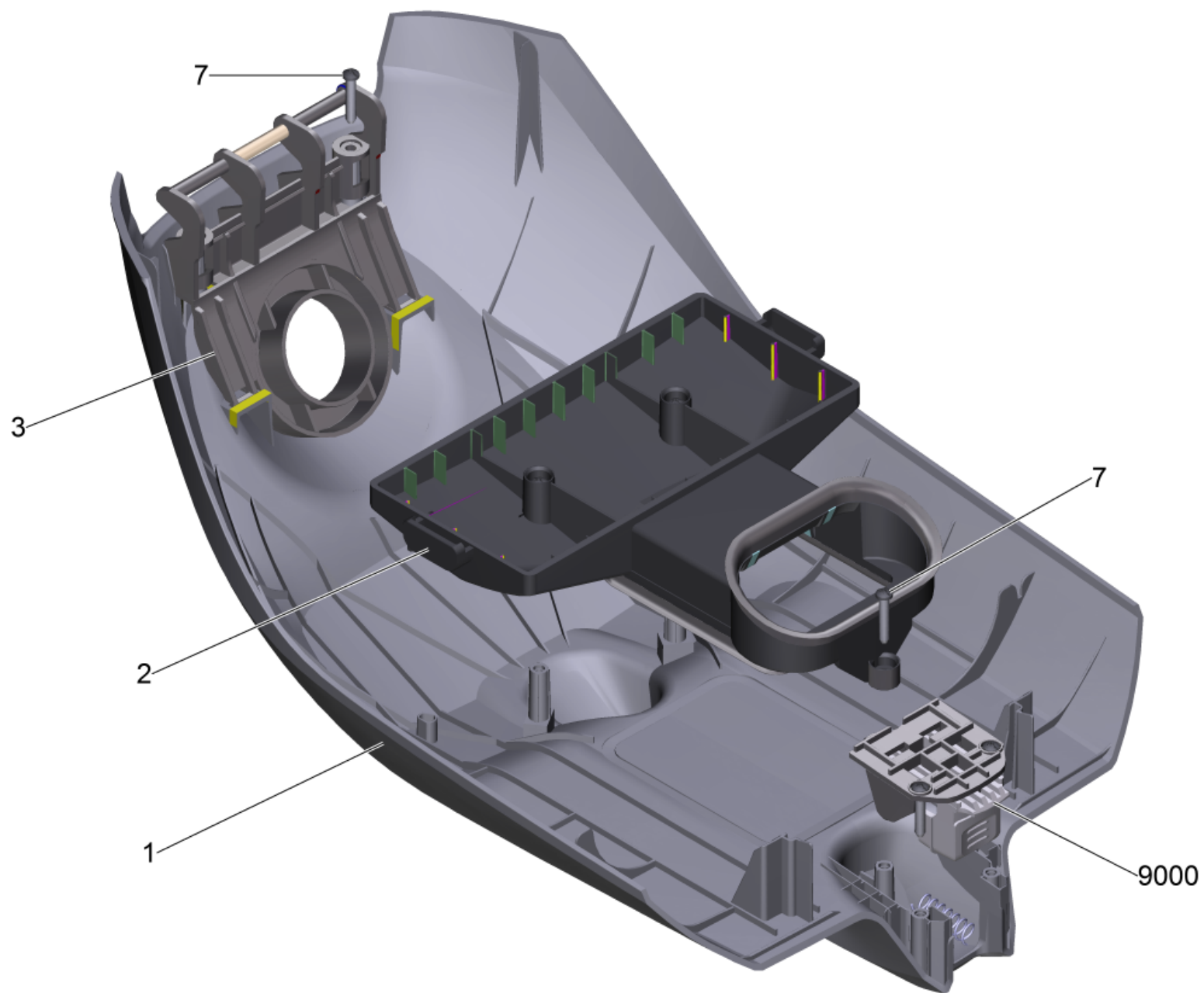
DS 6 *EU (1.195-220.0)

POS	Article no.	Description	Quantity	Unit
1	4.195-223.0	Water filter complete for replacement	1.000	ST
2		Front flap yellow complete	1.000	ST
3		Motor unit	1.000	ST
4	4.195-237.0	Housing bottom part complete fuer Ersatz	1.000	ST
5	2.860-273.0	Filter HEPA 13 DS	1.000	ST
6	6.901-058.0	Suction hose complete	1.000	ST
10	4.195-256.0	Upper housing set replacement DS 5.800	1.000	ST
11	6.414-631.0	Intermediate filter DS	1.000	ST
12	4.195-241.0	Pushbutton on off fuer Ersatz DS 5.800	1.000	ST
13	4.195-238.0	Cable automatic complete fuer Ersatz DS	1.000	ST
14	4.195-244.0	Air exhaust louver fuer Ersatz DS 5.800	1.000	ST
15	6.195-241.0	Insulation mat exhaust air flap DS 6.000	1.000	ST
17	6.630-650.0	Main switch	1.000	ST
19	4.195-243.0	Bearing fuer Ersatz DS 5.800	1.000	ST
20	7.303-096.0	Screw 4x22 -ST-10.9-R2R (IN6RD)	5.000	ST
21	5.332-169.0	Pressure spring	1.000	ST
23	4.195-247.0	Hand grip complete replacement	1.000	ST
24	4.195-304.0	Floor tool for replacement RD266	1.000	ST
25	5.195-196.0	Crevice nozzle	1.000	ST
26	6.906-622.0	Upholstery nozzle	1.000	ST
27	6.902-127.0	Telescopic tube	1.000	ST
28	6.195-249.0	Cable DS 6.000	2.000	ST
31	6.295-873.0	FoamStop neutral 125ml	1.000	ST



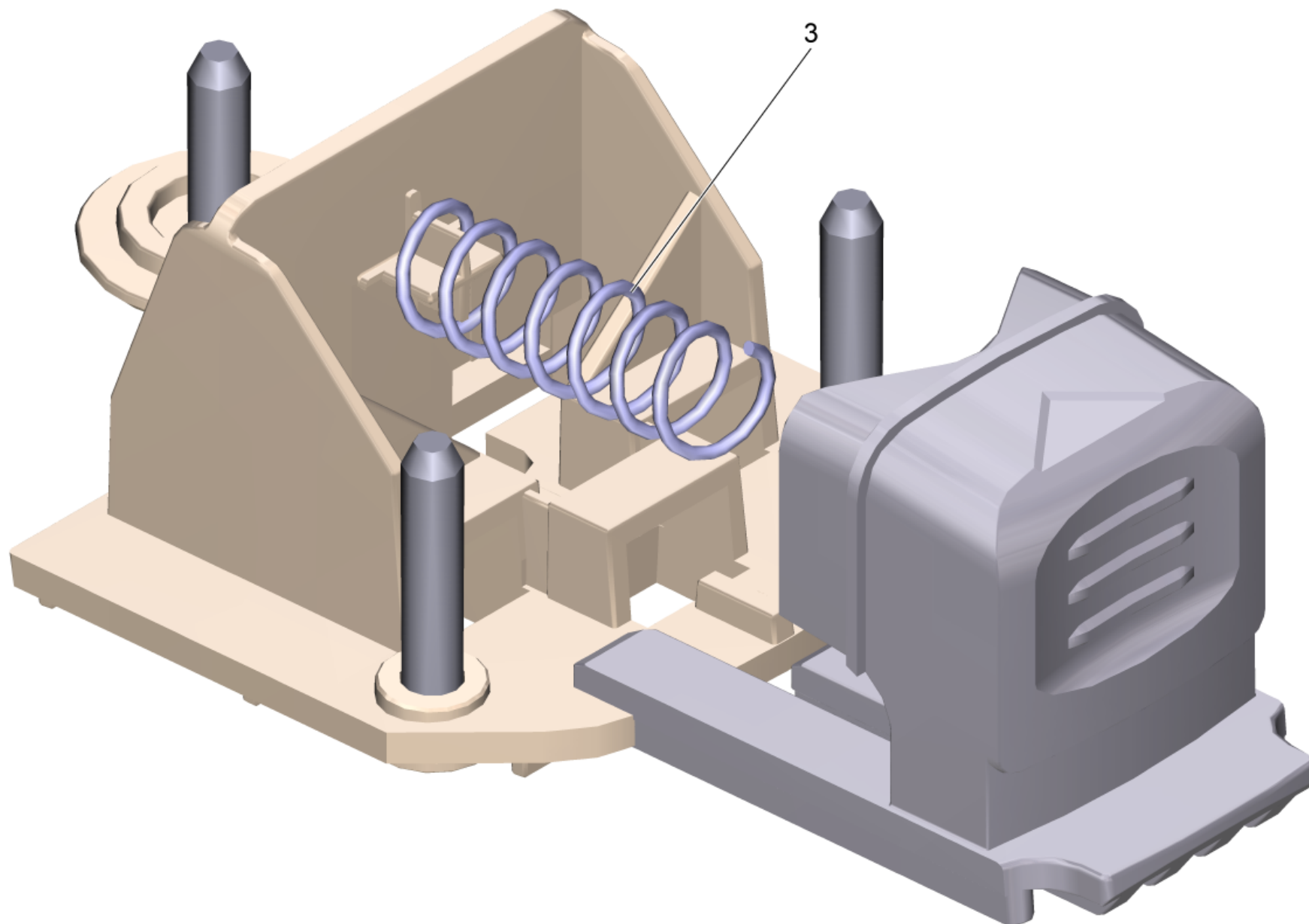
1 Water filter complete for replacement (4.195-223.0)

POS	Article no.	Description	Quantity	Unit
2	5.195-366.0	Seal baffle plate	1.000	ST
6	5.195-350.0	Seal box water	1.000	ST



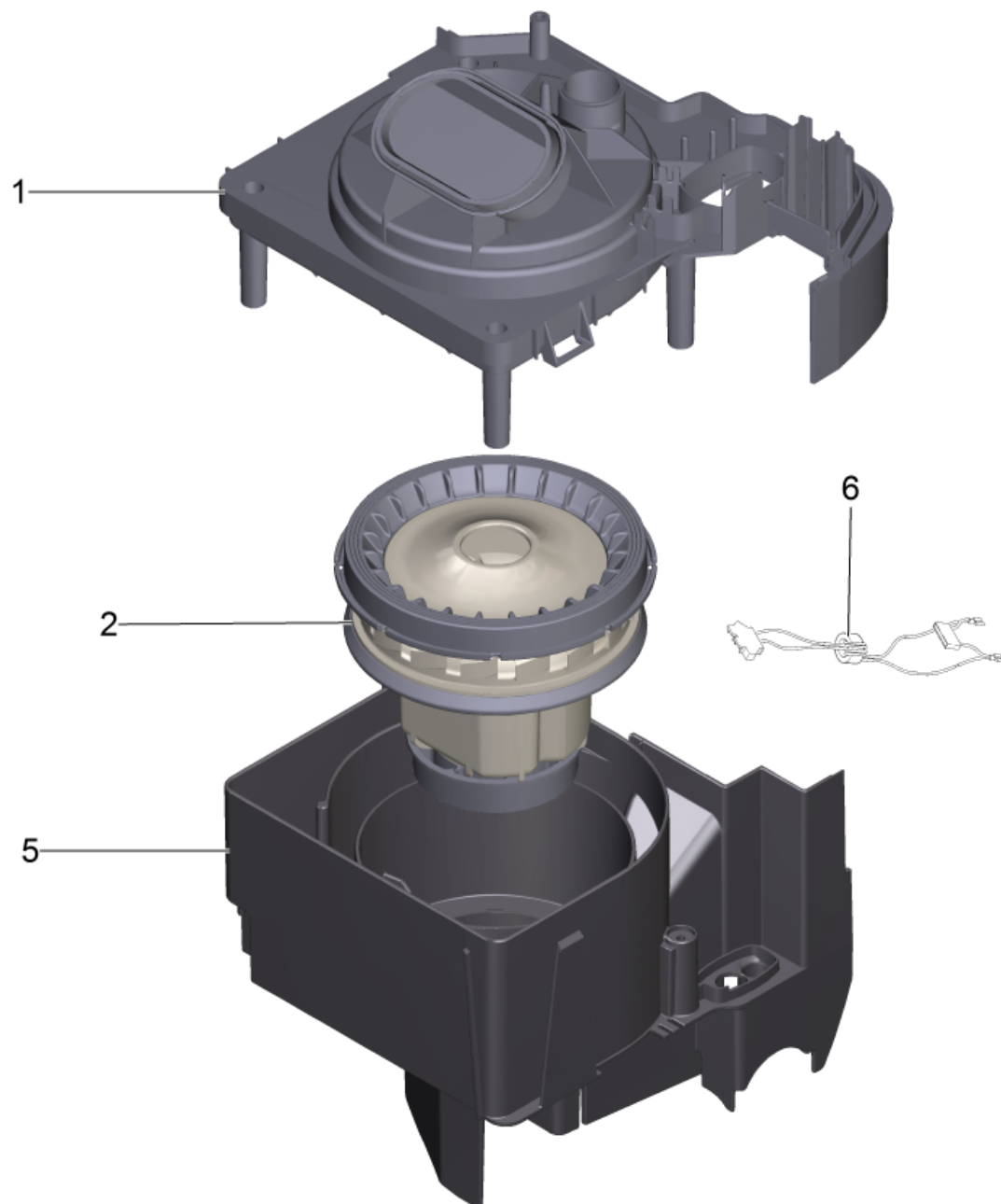
2 Front flap yellow complete

POS	Article no.	Description	Quantity	Unit
1	4.195-302.0	Front flap DS 6 for replacement	1.000	ST
2	5.195-368.0	Air duct	1.000	ST
3	5.195-367.0	Stop suction hose	1.000	ST
7	7.303-096.0	Screw 4x22 -ST-10.9-R2R (IN6RD)	7.000	ST
9000	4.195-224.0	Slider complete for replacement	1.000	ST



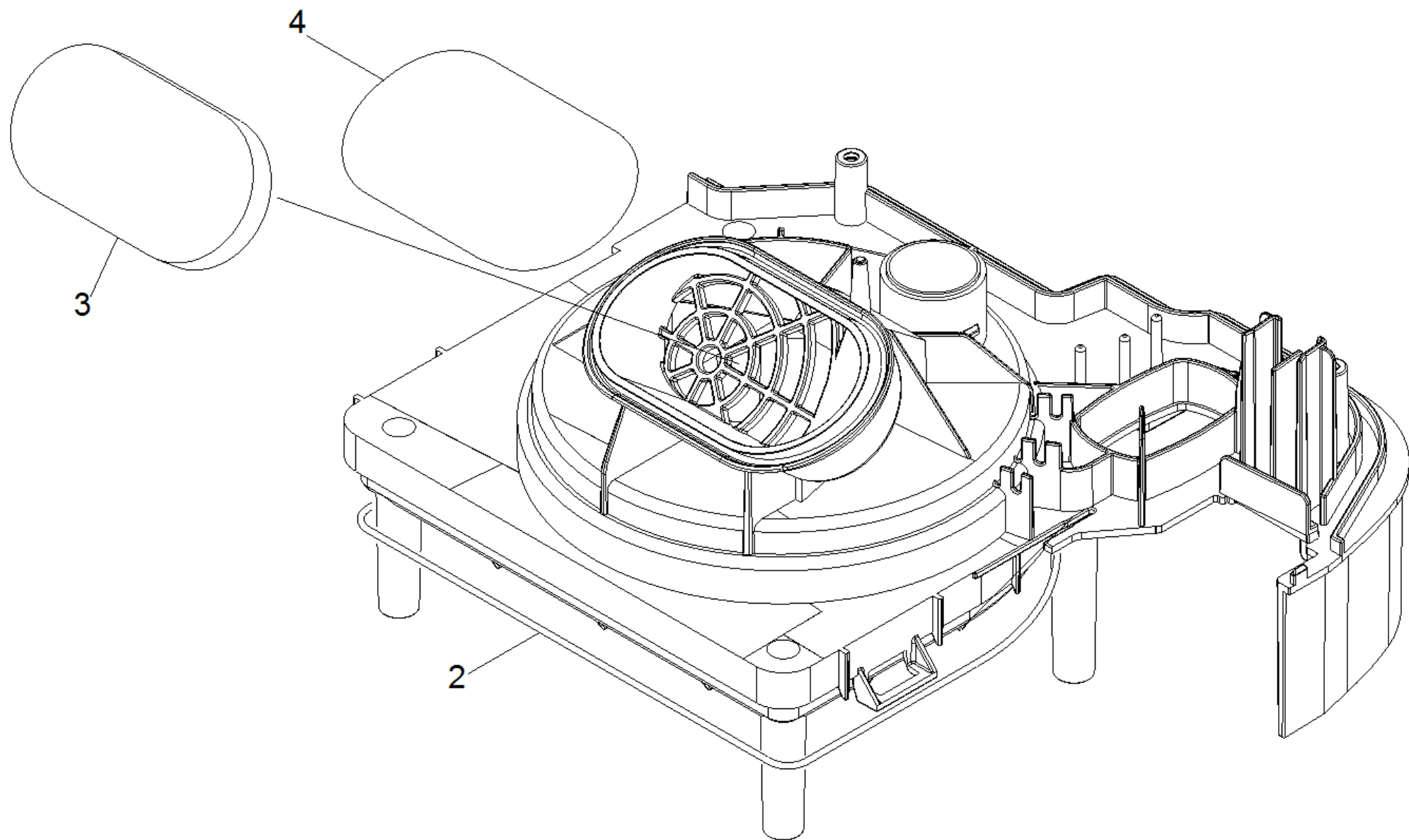
9000 Slider complete for replacement (4.195-224.0)

POS	Article no.	Description	Quantity	Unit
3	5.332-169.0	Pressure spring	1.000	ST



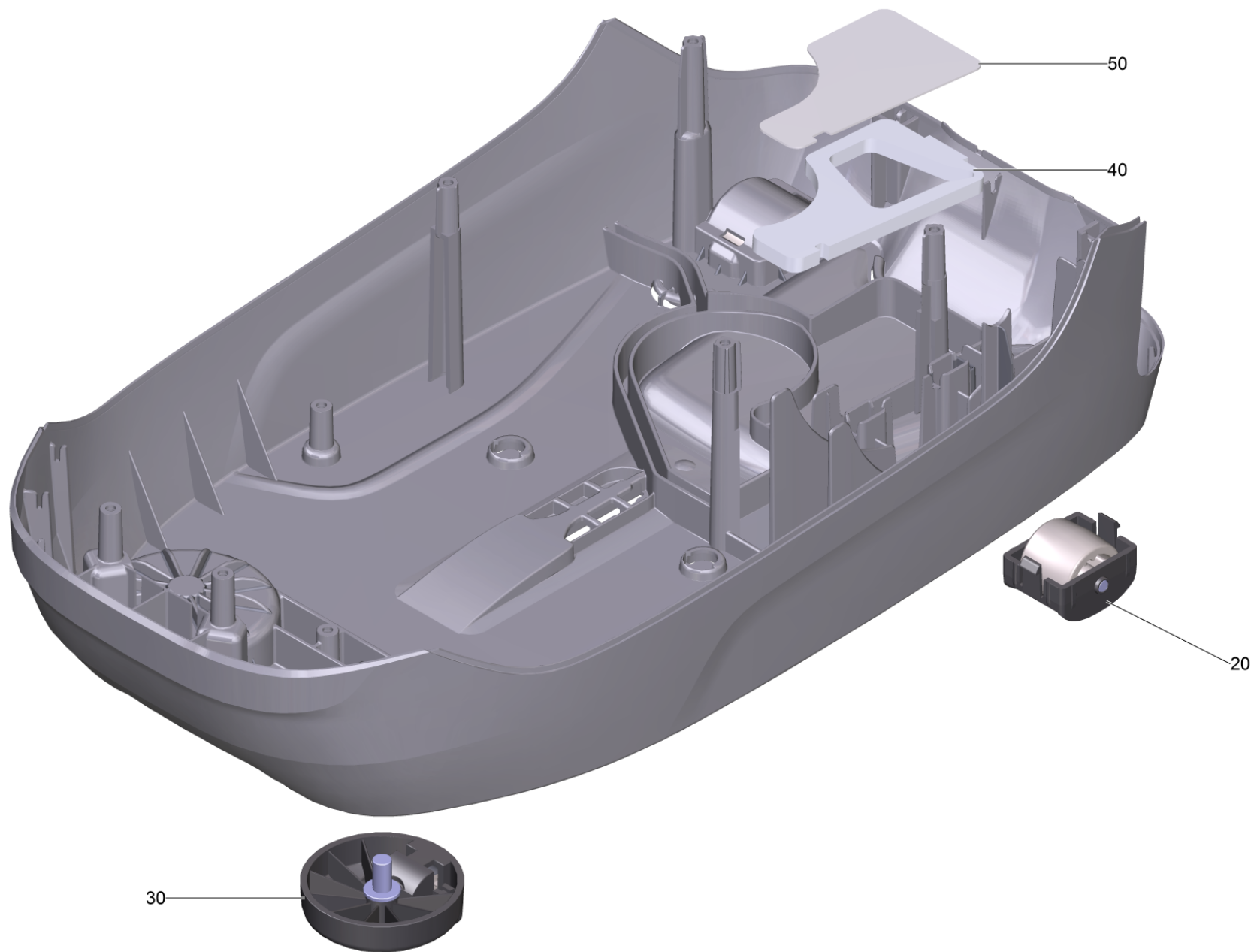
3 Motor unit

POS	Article no.	Description	Quantity	Unit
1	4.195-226.0	Air circulation complete for replacement	1.000	ST
2	4.195-298.0	Vacuum motor 650W	1.000	ST
5	5.195-370.0	Motor mount	1.000	ST
6	4.195-231.0	Cable with capacitor	1.000	ST



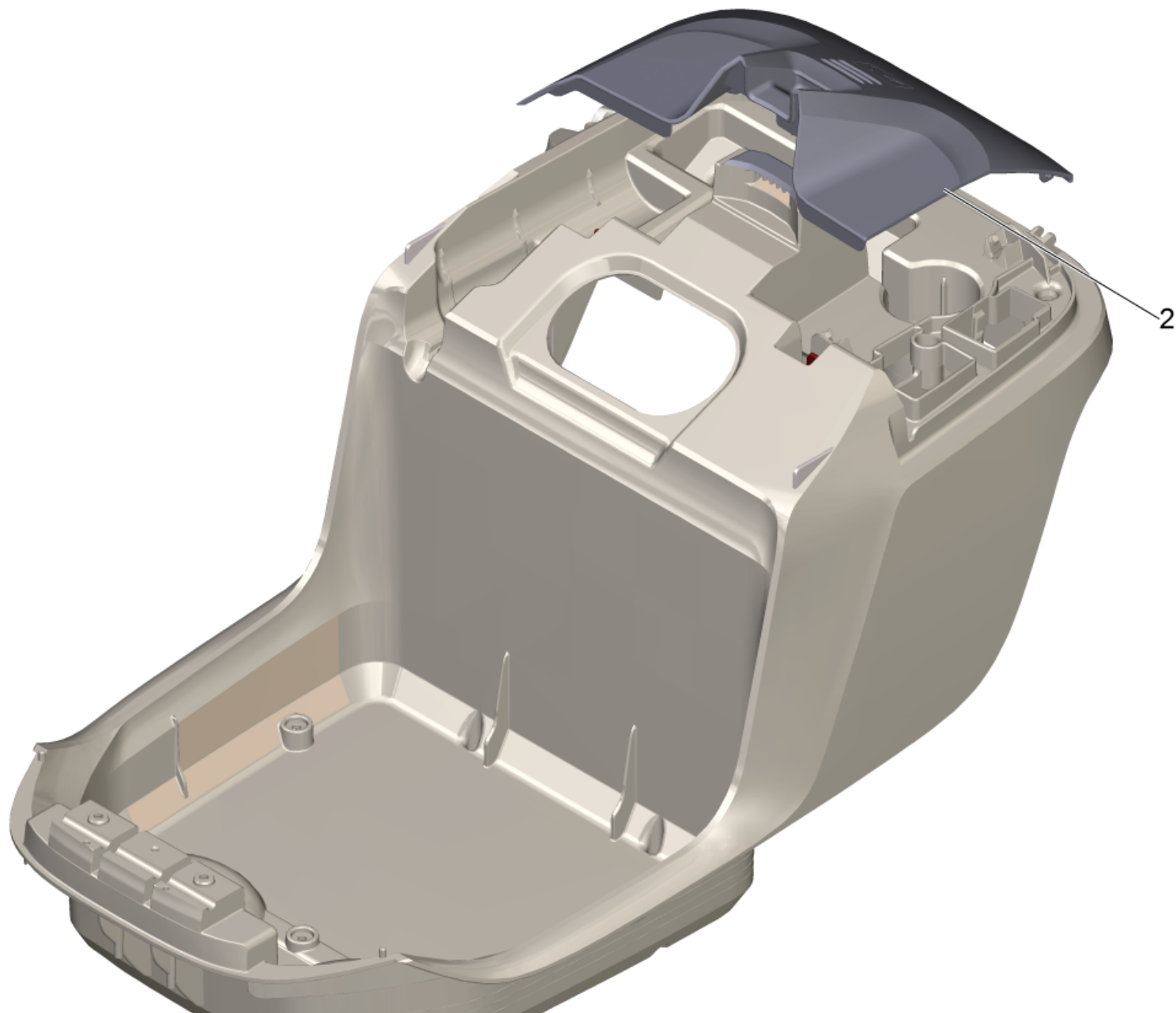
1 Air circulation complete for replacement (4.195-226.0)

POS	Article no.	Description	Quantity	Unit
2	5.195-376.0	Seal string DS 6.000	1.000	ST
3	6.195-239.0	Foam insert air circulation DS 6.000	1.000	ST
4	5.195-398.0	Seal air circulation DS 6.000	1.000	ST



4 Housing bottom part complete fuer Ersatz (4.195-237.0)

POS	Article no.	Description	Quantity	Unit
20	4.195-219.0	Fixed castor complete black	2.000	ST
30	4.195-220.0	Castor complete black	2.000	ST
40	6.195-075.0	Foam insert bottom housing DS 6	1.000	ST
50	6.195-074.0	Filter GUT	1.000	ST



10 Upper housing set replacement DS 5.800 (4.195-256.0)

POS	Article no.	Description	Quantity	Unit
2	5.195-199.3	Accessories flap for replacement DS 5.80	1.000	ST