

Spare parts list

(1.951-954.0) HD 994 SX Plus *EU

Table of contents

HD 994 SX Plus *EU (1.951-954.0)	4
Spare parts list HD 994 SX (5.958-838.0)	5
10 Individual parts	6
11 Individual parts	7
12 Hose reel	10
20 Pump set	12
21 Cylinder head	13
100 PUMP SET (2.883-447.0)	15
22 Valves	16
100 PUMP SET (2.883-447.0)	18
23 Piston	19
100 PUMP SET (2.883-447.0)	21
24 Chemistry	22
100 PUMP SET (2.883-447.0)	24
30 Motor	25
31 Transmission	26
32 Ventilation	28
40 Accessories	30
41 Hand trigger gun	31
18 Spare parts set (2.883-888.0)	33
42 Hand trigger gun	34
1 Rotary controller 416L (4.775-470.0)	36
4 Hand trigger gun (4.775-466.0)	38
60 Adapter pipelines AVS-M22x1,5 (4.421-739.3)	40
9002 Lever complete (4.481-209.0)	42
13 Lever complete (4.481-209.0)	44
15 Adapter pipelines AVS-M22x1,5 (4.421-739.3)	46
43 Jet pipe	48
Jet pipe packaged only for replacement (4.760-660.0)	50
14 Screw connector part (5.401-210.0)	52
1 Dirt blaster 05 (4.763-253.0)	53
11 Spare parts list dirt blaster (5.955-641.0)	54
10 Dirt blaster	55
Spare part set rotor 170 (2.881-025.0)	58
Spare part set dirt blaster 04-HD 1050 (2.883-471.0)	60
Spare part set dirt blaster 05 (2.883-472.0)	62
Spare part set dirt blaster 055/06 (2.883-473.0)	64
Spare part set dirt blaster 07/08-HDS 8 (2.883-474.0)	66

Table of contents

Spare part set dirt blaster 120 (2.884-051.0)	68
Spare part set dirt blaster 035 (2.884-052.0)	70
Spare part set dirt blaster 045 (2.884-113.0)	72
Spare part set dirt blaster 09 (2.884-316.0)	74
Spare parts set rotor 100 (2.885-196.0)	76
44 Jet pipe	78
1 Jet pipe packaged only for replacement (4.760-660.0)	80
14 Screw connector part (5.401-210.0)	82
45 Nozzle	83
46 Nozzle	85
Triple jet nozzle only for replacement 0 (4.767-154.0)	87
2 Spare parts list triple jet nozzle (5.970-837.0)	88
10 Triple jet nozzle plastics	89
20 Triple jet nozzle brass	91
50 Electric control box	93

HD 994 SX Plus *EU (1.951-954.0)

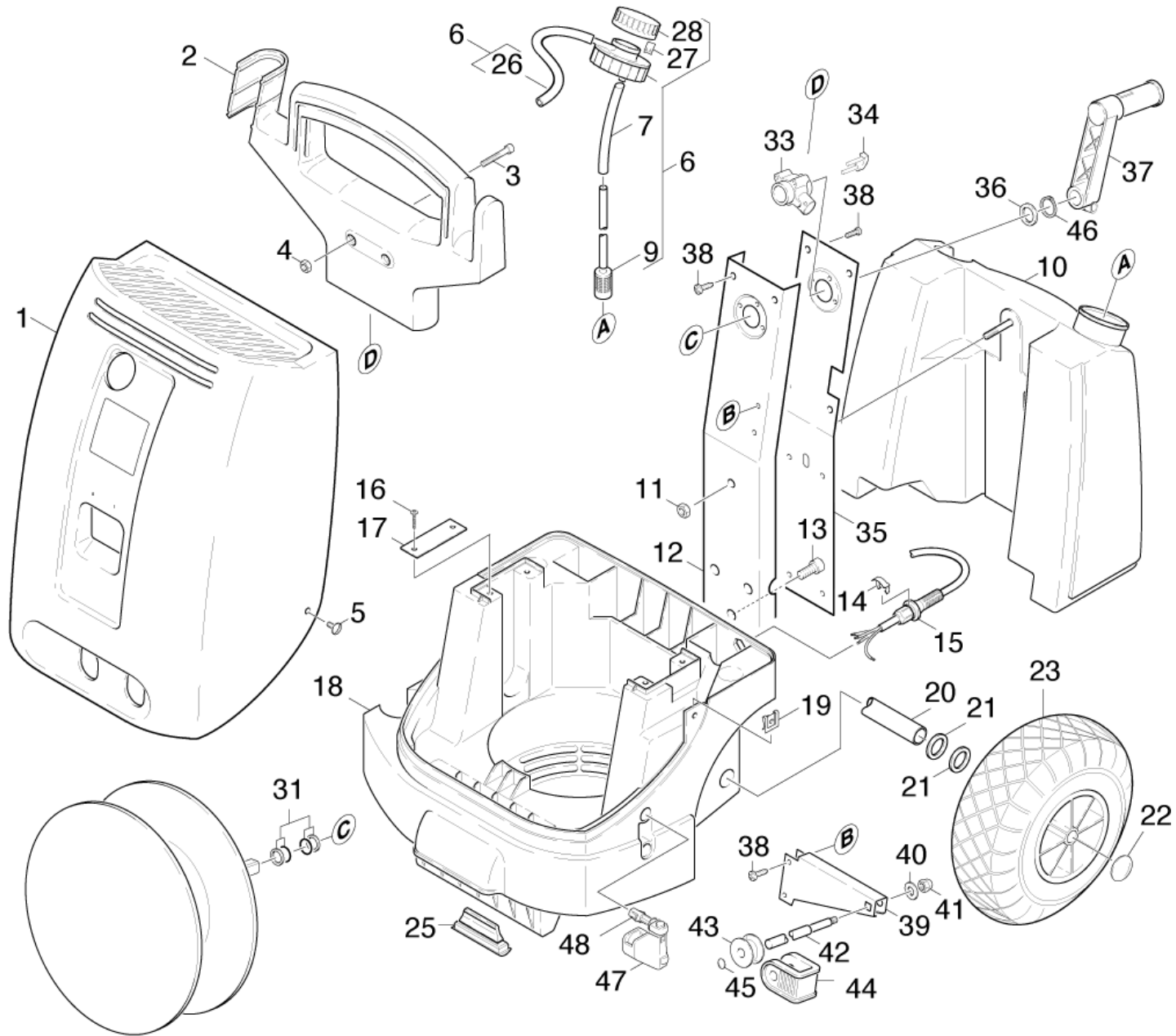
POS	Article no.	Description	Quantity	Unit
0	5.958-838.0	Spare parts list HD 994 SX	1.000	ST
	Item text2: 19519540			

Spare parts list HD 994 SX (5.958-838.0)

POS	Description	Quantity	Unit
10	Individual parts	1.000	ST
20	Pump set	1.000	ST
30	Motor	1.000	ST
40	Accessories	1.000	ST
50	Electric control box	1.000	ST

10 Individual parts

POS	Description	Quantity	Unit
11	Individual parts	1.000	ST
12	Hose reel	1.000	ST

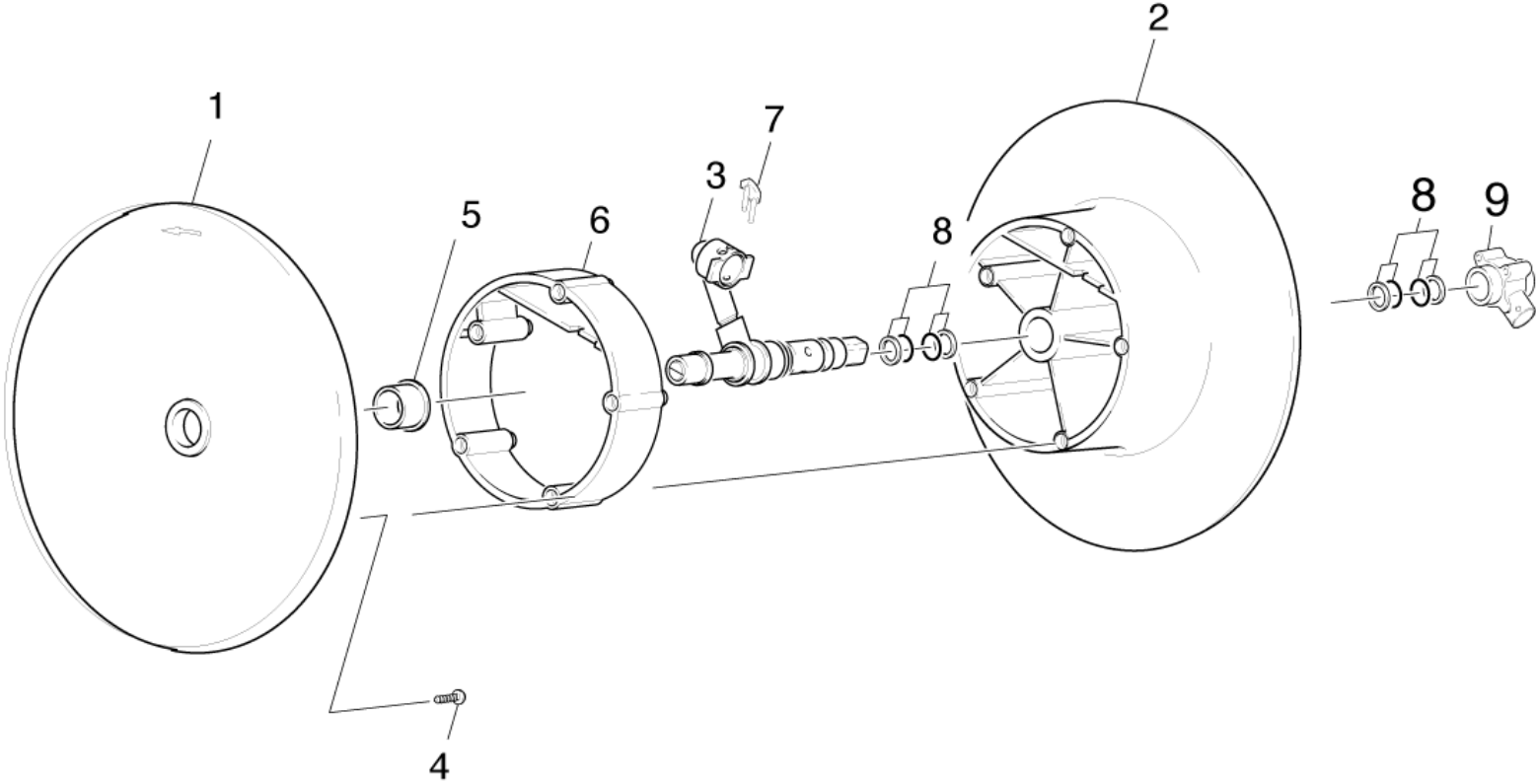


11 Individual parts

POS	Article no.	Description	Quantity	Unit	Foot note text
1	5.067-031.0	Device cover for replacement	1.000	ST	
2	5.321-546.0	Handhold	1.000	ST	
3	7.306-133.0	Screw M6x50 -8.8-R3R (In6Rd)	2.000	ST	
4	7.311-003.0	Hexagon nut M6 -8-A2E ISO 4032	2.000	ST	
5	6.304-099.0	Saucer-head screw M 6x 18-4.8-R2R	2.000	ST	
6	4.580-238.0	Proportioning valve chemistry	1.000	ST	
7	6.388-216.0	Hose DN 5	1.000	M	TO ORDER AS CUT GOODS
9	5.731-652.0	Filter with weight	1.000	ST	
10	5.071-069.0	Tank	1.000	ST	
11	7.311-004.0	Hexagon nut M8 -8-A3E ISO 4032	1.000	ST	
12	5.023-334.0	C-Profile	1.000	ST	
13	7.309-015.0	Screw assembly M8x16-8.8-A2E-S4-N ISO106	3.000	ST	
14	6.343-186.0	Locking ring	1.000	ST	
	Item text1: 1.951-955.0				
14	6.343-170.0	Retaining clip	1.000	ST	
	Item text1: 1.951-954.0				
15	6.647-401.0	Cable complete	1.000	ST	
	Item text1: 1.951-955.0				
15	6.647-379.0	Cable with plug	1.000	ST	
	Item text1: 1.951-954.0				
16	6.303-174.0	Screw 6,0X20-ST-A2R	4.000	ST	
17	5.004-641.0	Strap	2.000	ST	
18	5.605-230.0	Housing	1.000	ST	
	Item text1: 1.951-955.0				
18	5.605-226.0	Housing	1.000	ST	
	Item text1: 1.951-954.0				
19	6.310-053.0	Putting nut	2.000	ST	
20	5.029-027.0	Tube	1.000	ST	
21	5.110-773.0	Sleeve	2.000	ST	
22	6.343-137.0	Quick-fastener	2.000	ST	
23	6.435-009.0	Wheel	2.000	ST	
25	5.057-054.0	Support	2.000	ST	
26	6.388-194.0	Hose DN 7	1.000	M	TO ORDER AS CUT GOODS

11 Individual parts

POS	Article no.	Description	Quantity	Unit	Foot note text
27	5.337-021.0	Plate spring	1.000	ST	
28	5.321-430.0	Handhold	1.000	ST	
31	6.362-993.0	O-Ring seal complete	2.000	ST	
33	4.251-031.0	Bearing support complete	1.000	ST	
34	4.037-013.0	Hook	1.000	ST	
35	5.801-122.0	Cover plate	1.000	ST	
36	5.115-758.0	Washer	1.000	ST	
37	4.321-102.0	Crank complete	1.000	ST	
38	7.303-038.0	Screw M5x12 -St-P2R (In6Rd)	16.000	ST	
39	5.031-462.0	Guide	1.000	ST	
40	7.312-017.0	Washer 8-A2 ISO 7089	1.000	ST	
41	7.311-620.0	Cap nut M8 -A2 DIN 986	1.000	ST	
42	5.105-264.0	Axle	1.000	ST	
43	5.515-112.0	Deflection pulley	1.000	ST	
44	5.031-463.0	Slider	1.000	ST	
45	6.343-127.0	Quick-fastener	1.000	ST	
46	7.343-007.0	Locking ring 20x1,2-FST-RF DIN 471	1.000	ST	
47	4.515-037.0	Deflection pulley complete	1.000	ST	
48	5.044-071.0	Holder	2.000	ST	

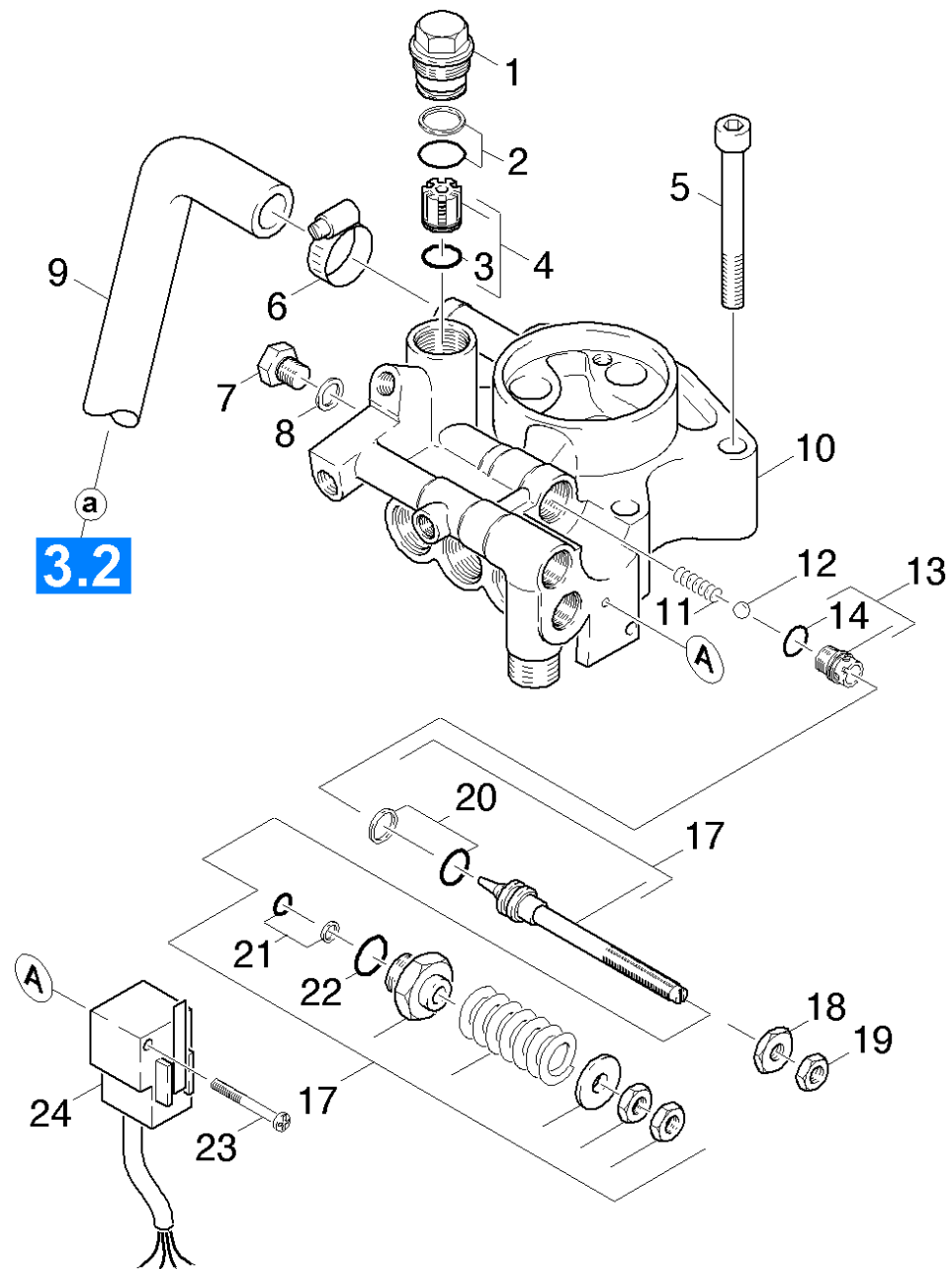


12 Hose reel

POS	Article no.	Description	Quantity	Unit
1	5.776-001.0	Hose reel	1.000	ST
2	5.776-002.0	Hose reel	1.000	ST
3	4.603-016.0	Shaft	1.000	ST
4	6.303-281.0	Saucer-head screw 6x70	5.000	ST
5	5.110-670.0	Sleeve	1.000	ST
6	5.114-450.0	Intermediate ring	1.000	ST
7	4.037-013.0	Hook	1.000	ST
8	6.362-993.0	O-Ring seal complete	4.000	ST
9	4.251-031.0	Bearing support complete	1.000	ST

20 Pump set

POS	Description	Quantity	Unit
21	Cylinder head	1.000	ST
22	Valves	1.000	ST
23	Piston	1.000	ST
24	Chemistry	1.000	ST

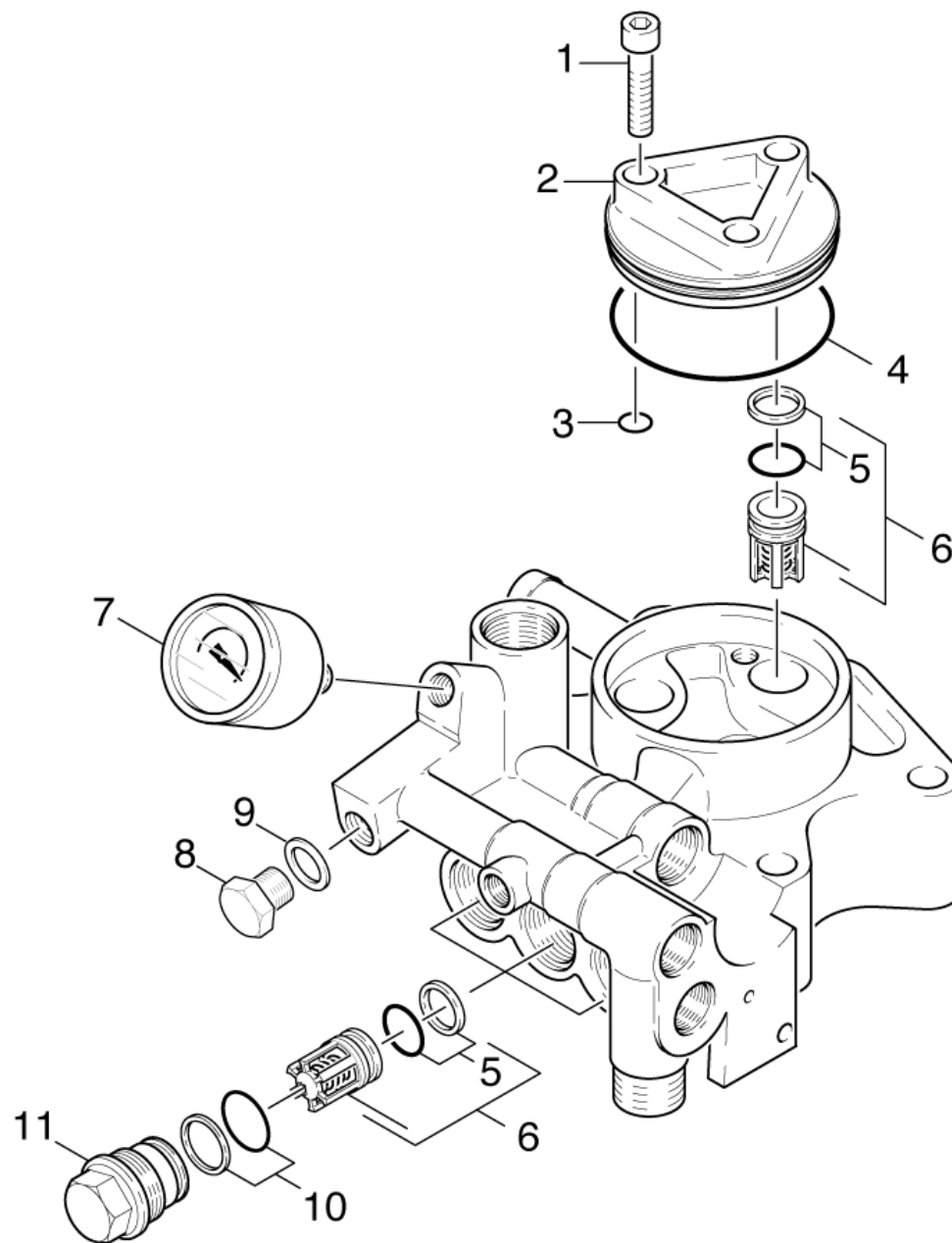


21 Cylinder head

POS	Article no.	Description	Quantity	Unit
1	5.583-125.0	Valve screw	1.000	ST
2	6.362-500.0	O-Ring seal complete /1ST.-R.	1.000	ST
3	6.362-381.0	O-Ring seal 13x2 - NBR 70	1.000	ST
4	4.580-262.0	Valve complete	1.000	ST
5	7.306-091.0	Cylinder head screw M12x90- 8.8-A3E ISO	4.000	ST
6	6.388-547.0	Hose clip	1.000	ST
7	5.411-117.0	Screw plug	1.000	ST
8	7.362-004.0	Joint ring A12x15,5 -Cu DIN 7603	1.000	ST
9	5.442-833.0	Piece of tube	1.000	ST
10	5.550-187.0	Cylinder head	1.000	ST
11	5.332-999.0	Helical spring	1.000	ST
12	7.401-907.0	Sphere 3/8 G200-1.4301 DIN 5401	1.000	ST
13	4.581-019.0	Valve seat	1.000	ST
14	6.362-858.0	O-Ring seal 11,0 X 1,5	1.000	ST
17	4.591-028.0	Overflow valve	1.000	ST
18	5.311-177.0	Hexagon nut	1.000	ST
19	7.311-004.0	Hexagon nut M8 -8-A3E ISO 4032	1.000	ST
20	6.362-575.0	O-Ring seal 12,42 KOMPL	1.000	ST
21	6.362-365.0	O-Ring seal complete 1ST.-R.- 7,65X 1,7	1.000	ST
22	6.362-445.0	O-Ring seal 16,0 X 2,4-NBR 80	1.000	ST
23	7.306-320.0	Oval head screw M 5x40-A2-70 ISO 7045	1.000	ST
24	6.635-323.0	2-Phases-Switch	1.000	ST
100	2.883-447.0	PUMP SET	1.000	ST

100 PUMP SET (2.883-447.0)

POS	Article no.	Description	Quantity	Unit
10	2.884-906.0	TRIPLE VALVE	2.000	ST
20	4.580-262.0	Valve complete	1.000	ST
30	4.581-019.0	Valve seat	1.000	ST
40	5.115-537.0	Washer	3.000	ST
50	5.332-110.0	Helical spring	1.000	ST
60	5.332-258.0	Helical spring	1.000	ST
70	6.362-153.0	O-Ring seal 15,3 X 2,4-NBR 70	1.000	ST
80	6.362-365.0	O-Ring seal complete 1ST.-R.- 7,65X 1,7	1.000	ST
90	6.362-383.0	O-Ring seal 6,0 X 2,0	1.000	ST
100	6.362-384.0	O-Ring seal 9x1,5 - NBR 70	4.000	ST
110	6.362-368.0	O-Ring seal complete /1ST.-R.	1.000	ST
120	6.363-607.0	O-Ring seal 34,65 x 1,78 -NBR70	3.000	ST
130	6.362-500.0	O-Ring seal complete /1ST.-R.	3.000	ST
140	6.362-501.0	O-Ring seal 68,0 X 2,0-NBR 70	1.000	ST
150	6.362-527.0	O-Ring seal 12,0 X 1,5-NBR 70	1.000	ST
160	6.362-533.0	O-Ring seal 14,0 X 1,5-NBR 70	1.000	ST
170	6.362-575.0	O-Ring seal 12,42 KOMPL	1.000	ST
180	6.363-615.0	O-Ring seal 11 x 1,5 -NBR70	3.000	ST
190	6.365-052.0	Grooved ring 20X28X6/8	3.000	ST
200	6.365-377.0	Grooved ring 20x30x6	3.000	ST
210	6.365-378.0	Supportring 20x30x4,2	3.000	ST
220	6.365-379.0	Supportring	3.000	ST
230	7.343-484.0	Snap ring 8 -1.4310 DIN 9925	1.000	ST
240	7.362-501.0	O-Ring seal 10x2 EPDM 70 DIN 3770	1.000	ST
250	7.401-907.0	Sphere 3/8 G200-1.4301 DIN 5401	1.000	ST
260	7.401-908.0	Sphere 7 G300 -1.4301 DIN 5401	1.000	ST
261	6.365-380.0	Set of gaskets low-pressure	3.000	ST

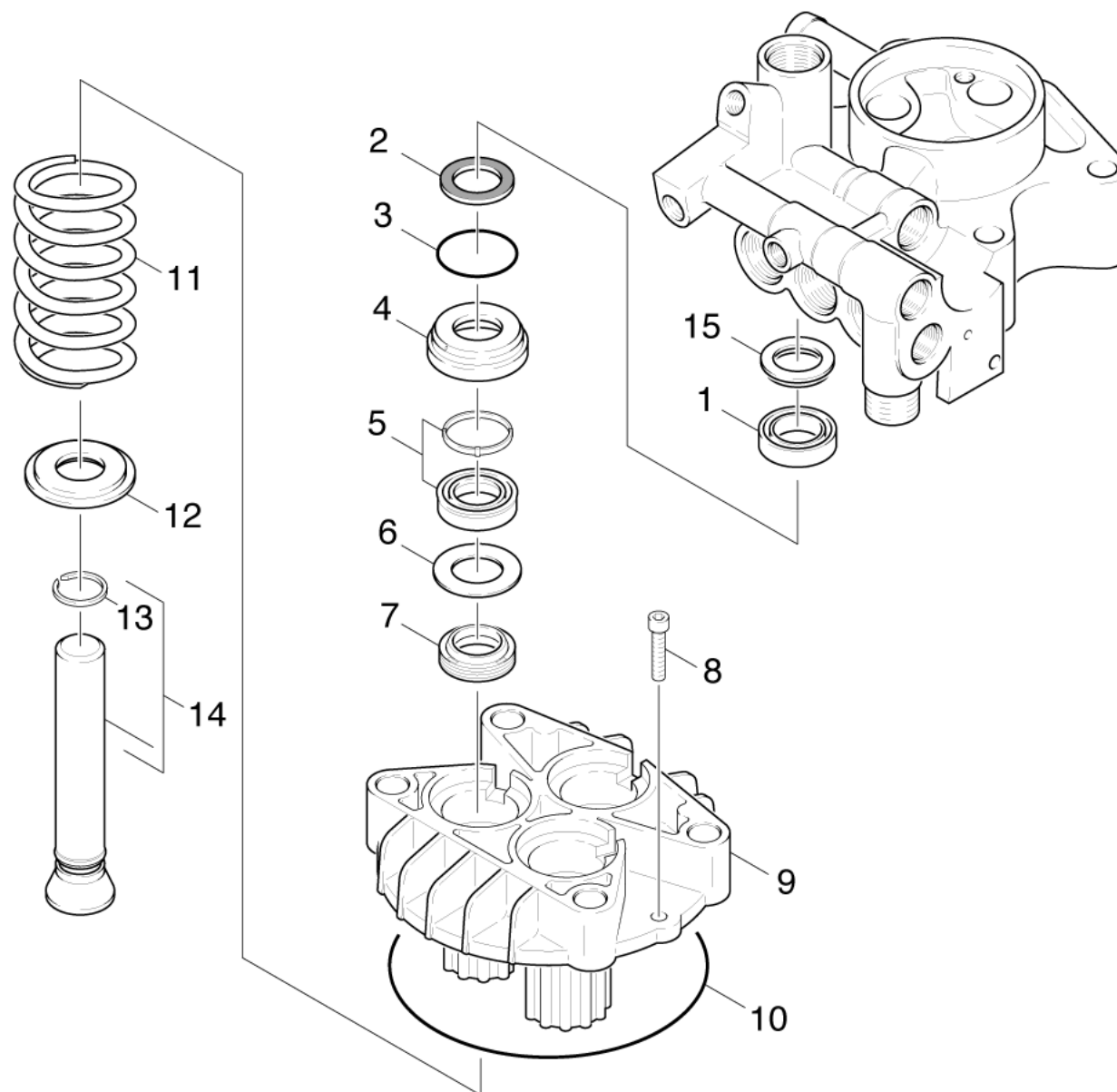


22 Valves

POS	Article no.	Description	Quantity	Unit
1	7.306-074.0	Cylinder head screw M10x35-8.8-A3E ISO4	3.000	ST
2	5.063-611.0	Cover housing	1.000	ST
3	6.362-858.0	O-Ring seal 11,0 X 1,5	3.000	ST
4	6.362-501.0	O-Ring seal 68,0 X 2,0-NBR 70	1.000	ST
5	4.363-693.0	O-Ring seal kpl. -nur fuer Ersatz-	6.000	ST
6	2.884-906.0	TRIPLE VALVE	2.000	ST
7	6.421-214.0	Pressure gauge 0-300 BAR	1.000	ST
8	5.411-117.0	Screw plug	1.000	ST
9	7.362-004.0	Joint ring A12x15,5 -Cu DIN 7603	1.000	ST
10	6.362-500.0	O-Ring seal complete /1ST.-R.	3.000	ST
11	5.583-125.0	Valve screw	3.000	ST
100	2.883-447.0	PUMP SET	1.000	ST

100 PUMP SET (2.883-447.0)

POS	Article no.	Description	Quantity	Unit
10	2.884-906.0	TRIPLE VALVE	2.000	ST
20	4.580-262.0	Valve complete	1.000	ST
30	4.581-019.0	Valve seat	1.000	ST
40	5.115-537.0	Washer	3.000	ST
50	5.332-110.0	Helical spring	1.000	ST
60	5.332-258.0	Helical spring	1.000	ST
70	6.362-153.0	O-Ring seal 15,3 X 2,4-NBR 70	1.000	ST
80	6.362-365.0	O-Ring seal complete 1ST.-R.- 7,65X 1,7	1.000	ST
90	6.362-383.0	O-Ring seal 6,0 X 2,0	1.000	ST
100	6.362-384.0	O-Ring seal 9x1,5 - NBR 70	4.000	ST
110	6.362-368.0	O-Ring seal complete /1ST.-R.	1.000	ST
120	6.363-607.0	O-Ring seal 34,65 x 1,78 -NBR70	3.000	ST
130	6.362-500.0	O-Ring seal complete /1ST.-R.	3.000	ST
140	6.362-501.0	O-Ring seal 68,0 X 2,0-NBR 70	1.000	ST
150	6.362-527.0	O-Ring seal 12,0 X 1,5-NBR 70	1.000	ST
160	6.362-533.0	O-Ring seal 14,0 X 1,5-NBR 70	1.000	ST
170	6.362-575.0	O-Ring seal 12,42 KOMPL	1.000	ST
180	6.363-615.0	O-Ring seal 11 x 1,5 -NBR70	3.000	ST
190	6.365-052.0	Grooved ring 20X28X6/8	3.000	ST
200	6.365-377.0	Grooved ring 20x30x6	3.000	ST
210	6.365-378.0	Supportring 20x30x4,2	3.000	ST
220	6.365-379.0	Supportring	3.000	ST
230	7.343-484.0	Snap ring 8 -1.4310 DIN 9925	1.000	ST
240	7.362-501.0	O-Ring seal 10x2 EPDM 70 DIN 3770	1.000	ST
250	7.401-907.0	Sphere 3/8 G200-1.4301 DIN 5401	1.000	ST
260	7.401-908.0	Sphere 7 G300 -1.4301 DIN 5401	1.000	ST
261	6.365-380.0	Set of gaskets low-pressure	3.000	ST

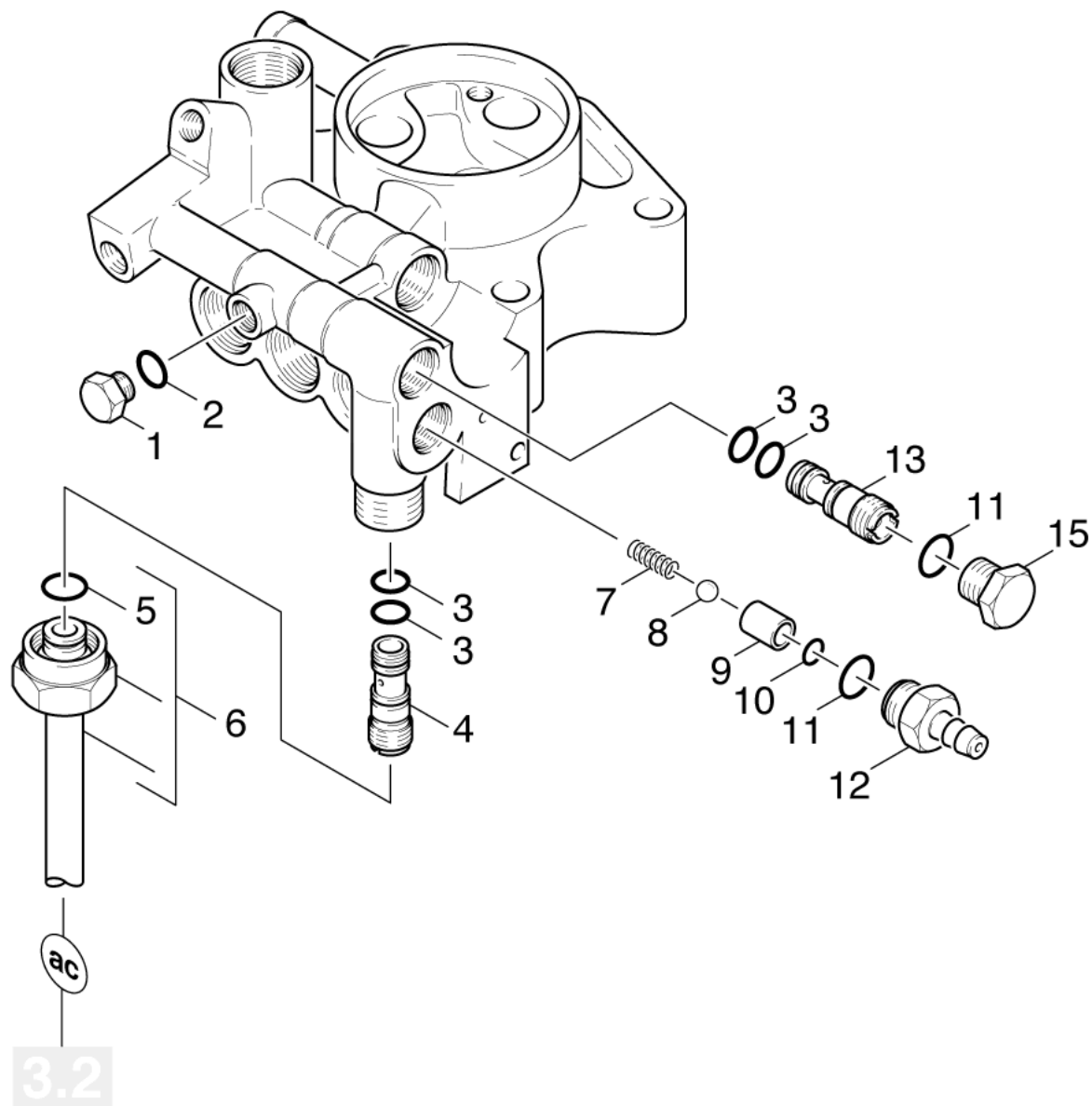


23 Piston

POS	Article no.	Description	Quantity	Unit
1	6.365-377.0	Grooved ring 20x30x6	3.000	ST
2	6.365-379.0	Supportring	3.000	ST
3	6.363-607.0	O-Ring seal 34,65 x 1,78 -NBR70	3.000	ST
4	5.112-451.0	Bush	3.000	ST
5	6.365-380.0	Set of gaskets low-pressure	3.000	ST
6	5.115-537.0	Washer	3.000	ST
7	6.365-052.0	Grooved ring 20X28X6/8	3.000	ST
8	7.306-023.0	Cylinder head screw M6x25 -8.8-A2E ISO4	2.000	ST
9	5.060-460.0	Housing thrust guidance	1.000	ST
10	6.362-796.0	O-Ring seal 107,62X 2,62	1.000	ST
11	5.332-281.0	Helical spring	3.000	ST
12	5.115-539.0	Washer	3.000	ST
13	6.472-331.0	Snap ring 20	3.000	ST
14	4.553-141.0	Piston complete	3.000	ST
15	6.365-378.0	Supportring 20x30x4,2	3.000	ST
100	2.883-447.0	PUMP SET	1.000	ST

100 PUMP SET (2.883-447.0)

POS	Article no.	Description	Quantity	Unit
10	2.884-906.0	TRIPLE VALVE	2.000	ST
20	4.580-262.0	Valve complete	1.000	ST
30	4.581-019.0	Valve seat	1.000	ST
40	5.115-537.0	Washer	3.000	ST
50	5.332-110.0	Helical spring	1.000	ST
60	5.332-258.0	Helical spring	1.000	ST
70	6.362-153.0	O-Ring seal 15,3 X 2,4-NBR 70	1.000	ST
80	6.362-365.0	O-Ring seal complete 1ST.-R.- 7,65X 1,7	1.000	ST
90	6.362-383.0	O-Ring seal 6,0 X 2,0	1.000	ST
100	6.362-384.0	O-Ring seal 9x1,5 - NBR 70	4.000	ST
110	6.362-368.0	O-Ring seal complete /1ST.-R.	1.000	ST
120	6.363-607.0	O-Ring seal 34,65 x 1,78 -NBR70	3.000	ST
130	6.362-500.0	O-Ring seal complete /1ST.-R.	3.000	ST
140	6.362-501.0	O-Ring seal 68,0 X 2,0-NBR 70	1.000	ST
150	6.362-527.0	O-Ring seal 12,0 X 1,5-NBR 70	1.000	ST
160	6.362-533.0	O-Ring seal 14,0 X 1,5-NBR 70	1.000	ST
170	6.362-575.0	O-Ring seal 12,42 KOMPL	1.000	ST
180	6.363-615.0	O-Ring seal 11 x 1,5 -NBR70	3.000	ST
190	6.365-052.0	Grooved ring 20X28X6/8	3.000	ST
200	6.365-377.0	Grooved ring 20x30x6	3.000	ST
210	6.365-378.0	Supportring 20x30x4,2	3.000	ST
220	6.365-379.0	Supportring	3.000	ST
230	7.343-484.0	Snap ring 8 -1.4310 DIN 9925	1.000	ST
240	7.362-501.0	O-Ring seal 10x2 EPDM 70 DIN 3770	1.000	ST
250	7.401-907.0	Sphere 3/8 G200-1.4301 DIN 5401	1.000	ST
260	7.401-908.0	Sphere 7 G300 -1.4301 DIN 5401	1.000	ST
261	6.365-380.0	Set of gaskets low-pressure	3.000	ST



24 Chemistry

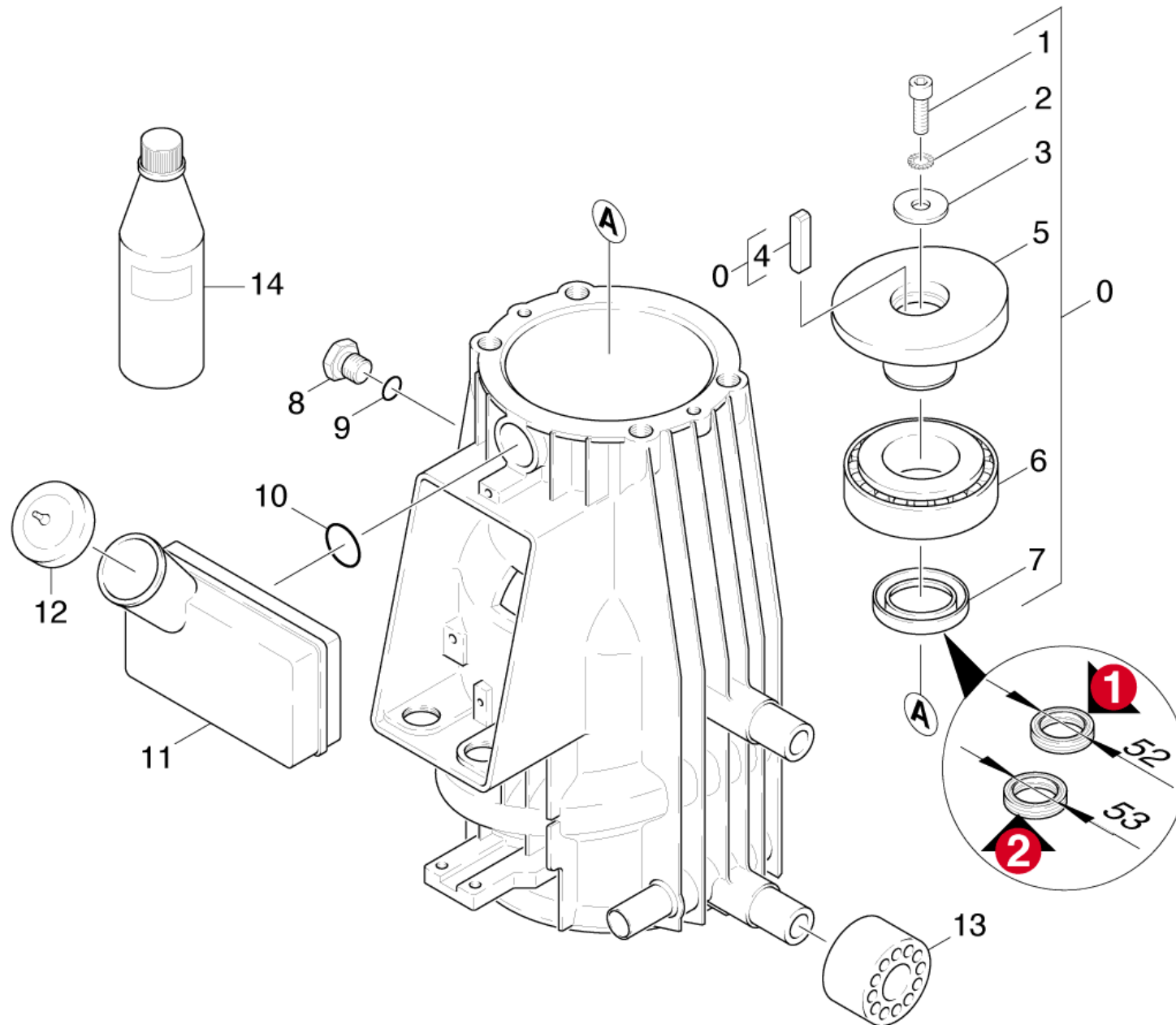
POS	Article no.	Description	Quantity	Unit
1	5.411-070.0	Screw plug	1.000	ST
2	6.362-101.0	O-Ring seal 8 X 2	1.000	ST
3	6.362-384.0	O-Ring seal 9x1,5 - NBR 70	4.000	ST
4	5.769-089.0	Nozzle insert	1.000	ST
5	2.880-154.0	O-Ring kit	1.000	ST
6	6.390-184.0	High pressure hose DN 8	1.000	ST
7	5.332-258.0	Helical spring	1.000	ST
8	7.401-908.0	Sphere 7 G300 -1.4301 DIN 5401	1.000	ST
9	5.026-764.0	Tube	1.000	ST
10	6.362-383.0	O-Ring seal 6,0 X 2,0	1.000	ST
11	6.362-533.0	O-Ring seal 14,0 X 1,5-NBR 70	2.000	ST
12	5.402-370.0	Screw union	1.000	ST
13	5.769-122.0	Nozzle insert D2.4/ D3.2/ L38	1.000	ST
15	5.411-107.0	Screw plug	1.000	ST
100	2.883-447.0	PUMP SET	1.000	ST

100 PUMP SET (2.883-447.0)

POS	Article no.	Description	Quantity	Unit
10	2.884-906.0	TRIPLE VALVE	2.000	ST
20	4.580-262.0	Valve complete	1.000	ST
30	4.581-019.0	Valve seat	1.000	ST
40	5.115-537.0	Washer	3.000	ST
50	5.332-110.0	Helical spring	1.000	ST
60	5.332-258.0	Helical spring	1.000	ST
70	6.362-153.0	O-Ring seal 15,3 X 2,4-NBR 70	1.000	ST
80	6.362-365.0	O-Ring seal complete 1ST.-R.- 7,65X 1,7	1.000	ST
90	6.362-383.0	O-Ring seal 6,0 X 2,0	1.000	ST
100	6.362-384.0	O-Ring seal 9x1,5 - NBR 70	4.000	ST
110	6.362-368.0	O-Ring seal complete /1ST.-R.	1.000	ST
120	6.363-607.0	O-Ring seal 34,65 x 1,78 -NBR70	3.000	ST
130	6.362-500.0	O-Ring seal complete /1ST.-R.	3.000	ST
140	6.362-501.0	O-Ring seal 68,0 X 2,0-NBR 70	1.000	ST
150	6.362-527.0	O-Ring seal 12,0 X 1,5-NBR 70	1.000	ST
160	6.362-533.0	O-Ring seal 14,0 X 1,5-NBR 70	1.000	ST
170	6.362-575.0	O-Ring seal 12,42 KOMPL	1.000	ST
180	6.363-615.0	O-Ring seal 11 x 1,5 -NBR70	3.000	ST
190	6.365-052.0	Grooved ring 20X28X6/8	3.000	ST
200	6.365-377.0	Grooved ring 20x30x6	3.000	ST
210	6.365-378.0	Supportring 20x30x4,2	3.000	ST
220	6.365-379.0	Supportring	3.000	ST
230	7.343-484.0	Snap ring 8 -1.4310 DIN 9925	1.000	ST
240	7.362-501.0	O-Ring seal 10x2 EPDM 70 DIN 3770	1.000	ST
250	7.401-907.0	Sphere 3/8 G200-1.4301 DIN 5401	1.000	ST
260	7.401-908.0	Sphere 7 G300 -1.4301 DIN 5401	1.000	ST
261	6.365-380.0	Set of gaskets low-pressure	3.000	ST

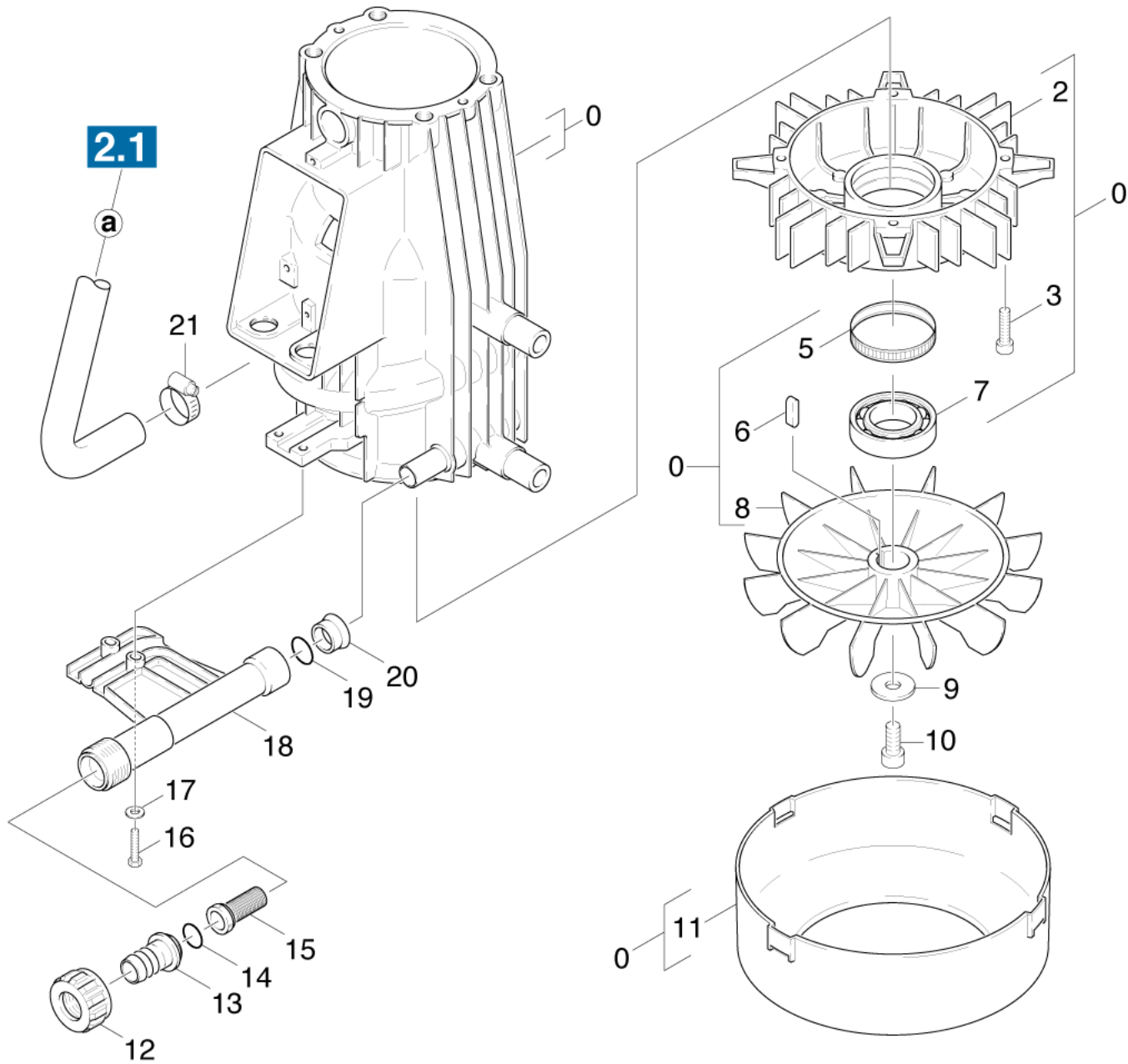
30 Motor

POS	Description	Quantity	Unit
31	Transmission	1.000	ST
32	Ventilation	1.000	ST



31 Transmission

POS	Article no.	Description	Quantity	Unit
0	4.623-504.0	Motor complete	1.000	ST
1	7.306-041.0	Cylinder head screw M8x20 -8.8-A2E ISO	1.000	ST
2	7.312-159.0	Toothed lock washer A8,4-FST-PH DIN 679	1.000	ST
3	5.115-565.0	Washer	1.000	ST
4	7.318-035.0	Parallel key 8x7x25 -C45K DIN 6885-1	1.000	ST
5	5.120-334.0	Wobble plate	1.000	ST
6	6.401-225.3	Taper roller bearing 41	1.000	ST
7	7.367-009.0	Radial shaft seal ring A35x52x7-NBR DIN	1.000	ST
7	7.367-005.0	Radial shaft seal ring A35x53x7-NBR DIN	1.000	ST
8	5.411-100.0	Screw plug	1.000	ST
9	6.363-273.0	O-Ring seal 11,0 x 2,0	1.000	ST
10	6.362-161.0	O-Ring seal 19,3 X 2,4	1.000	ST
11	5.070-457.0	Tank oil	1.000	ST
12	5.064-457.0	cover plate qusty grey oil	1.000	ST
13	5.057-055.0	Support	4.000	ST
14	6.288-016.0	Gear oil 1L	1.000	ST

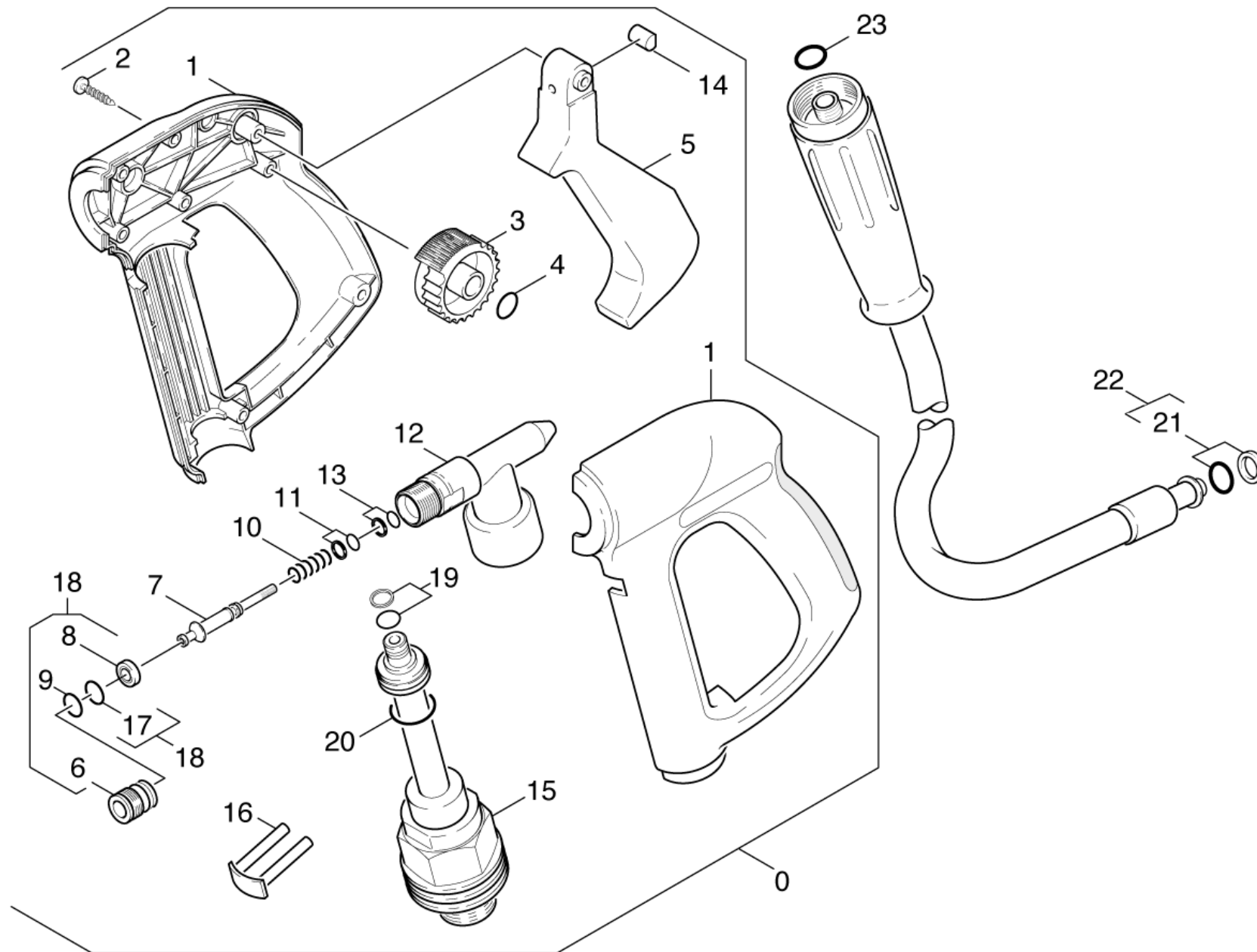


32 Ventilation

POS	Article no.	Description	Quantity	Unit
0	4.623-504.0	Motor complete	1.000	ST
2	5.063-518.0	Cover	1.000	ST
3	7.303-048.0	Screw M6x20 -St-R3R (In6Rd)	4.000	ST
5	6.343-010.0	Tolerance ring 62x10	1.000	ST
6	7.318-029.0	Parallel key 6x6x20-C45K DIN 6885	1.000	ST
7	6.401-253.0	Ball bearing 6305-2Z	1.000	ST
8	6.611-605.0	Blower wheel	1.000	ST
9	5.115-565.0	Washer	1.000	ST
10	7.306-041.0	Cylinder head screw M8x20 -8.8-A2E ISO	1.000	ST
11	5.692-026.0	Air circulation	1.000	ST
12	5.310-076.0	Nut	1.000	ST
13	5.443-291.0	Hose stem	1.000	ST
14	6.362-161.0	O-Ring seal 19,3 X 2,4	1.000	ST
15	6.414-141.0	Strainer	1.000	ST
16	7.304-386.0	Hexagonal head screw M 6x25-8.8-A2E ISO	2.000	ST
17	7.312-003.0	Washer 6 -200HV-A3E ISO 7089	2.000	ST
18	5.427-180.0	Manifold	1.000	ST
19	6.362-579.0	O-Ring seal 17,5 X 3,5	1.000	ST
20	5.110-341.0	Sleeve	1.000	ST
21	6.388-548.0	Hose clip	1.000	ST

40 Accessories

POS	Description	Quantity	Unit	Remark
41	Hand trigger gun	1.000	ST	VERSION 1
42	Hand trigger gun	1.000	ST	VERSION 2
43	Jet pipe	1.000	ST	VERSION 1
44	Jet pipe	1.000	ST	VERSION 2
45	Nozzle	1.000	ST	VERSION 1
46	Nozzle	1.000	ST	VERSION 2

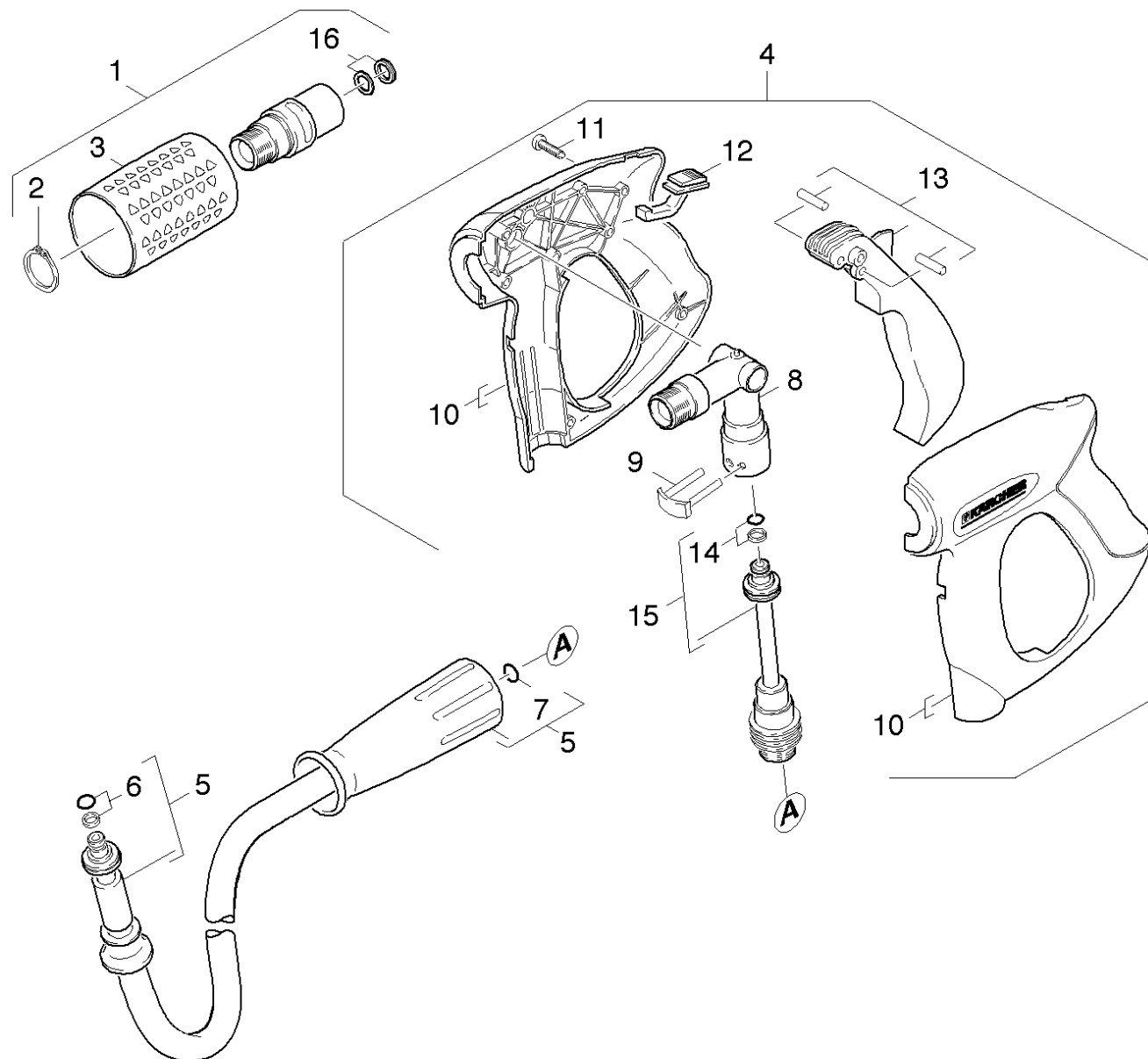


41 Hand trigger gun

POS	Article no.	Description	Quantity	Unit
0	7.777-999.0	Stockpiling discontinued	1.000	ST
1	5.321-534.0	Handhold few	1.000	ST
2	7.303-096.0	Screw 4x22 -ST-10.9-R2R (IN6RD)	8.000	ST
3	5.322-012.0	Hand wheel	1.000	ST
4	6.362-642.0	O-Ring d. 7,65x1,78 -NBR 80	1.000	ST
5	5.481-178.0	Lever	1.000	ST
6	5.404-079.0	Hollow screw	1.000	ST
7	5.553-348.0	Piston	1.000	ST
8	5.581-243.0	Valve seat	1.000	ST
9	6.362-182.0	O-Ring seal 7,65x1,78 - NBR 90	1.000	ST
10	5.332-413.0	Helical spring	1.000	ST
11	6.362-964.0	O-Ring seal complete	1.000	ST
12	5.427-214.0	Manifold	1.000	ST
13	6.362-992.0	O-Ring seal complete 2,6X1,9	1.000	ST
14	5.316-400.0	Bolt	1.000	ST
15	4.421-275.3	Adapter pipelines	1.000	ST
16	4.037-013.0	Hook	1.000	ST
17	6.362-503.0	O-Ring seal 8,0 X 1,0	1.000	ST
18	2.883-888.0	Spare parts set	1.000	ST
19	4.363-691.0	O-Ring seal kpl. -nur fuer Ersatz-	1.000	ST
20	6.363-606.0	O-Ring seal 4,7 x 1,9 -NBR70	1.000	ST
21	4.363-691.0	O-Ring seal kpl. -nur fuer Ersatz-	1.000	ST
22	6.390-171.0	Hose assembly DN8 max. 31,5MPa 20m	1.000	ST
23	2.880-990.0	Spare part set O-Ring 5x -Kaercher	1.000	ST

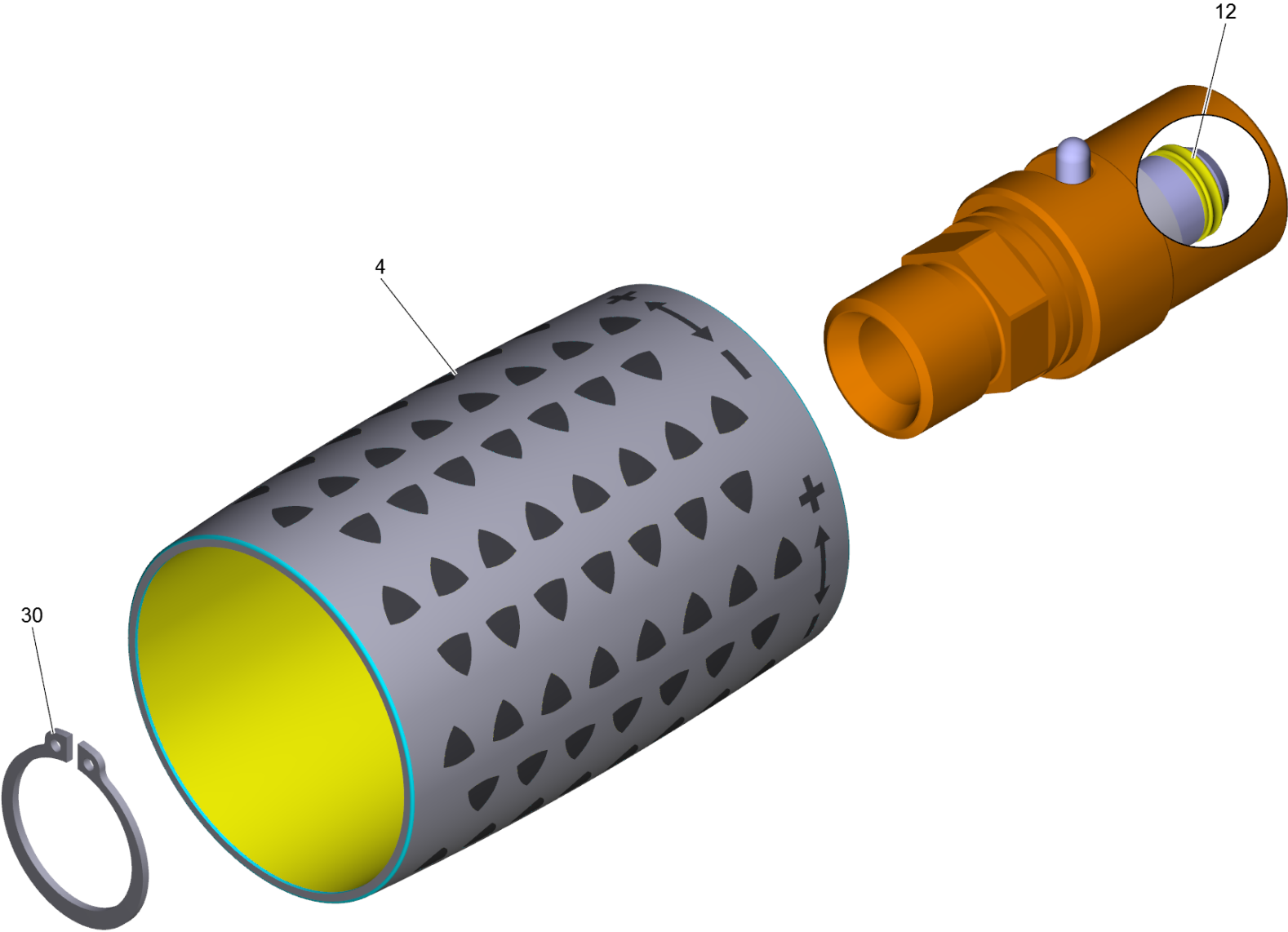
18 Spare parts set (2.883-888.0)

POS	Article no.	Description	Quantity	Unit
10	5.404-079.0	Hollow screw	1.000	ST
20	5.581-243.0	Valve seat	1.000	ST
30	6.362-182.0	O-Ring seal 7,65x1,78 - NBR 90	1.000	ST
40	6.362-503.0	O-Ring seal 8,0 X 1,0	1.000	ST



42 Hand trigger gun

POS	Article no.	Description	Quantity	Unit
1	4.775-470.0	Rotary controller 416L	1.000	ST
2	7.343-008.0	Locking ring 25x1,2-St-vz DIN 471	1.000	ST
3	5.321-668.0	Handle	1.000	ST
4	4.775-466.0	Hand trigger gun	1.000	ST
5	6.390-171.0	Hose assembly DN8 max. 31,5MPa 20m	1.000	ST
6	4.363-691.0	O-Ring seal kpl. -nur fuer Ersatz-	1.000	ST
7	2.880-990.0	Spare part set O-Ring 5x -Kaercher	1.000	ST
8	4.427-215.0	Manifold complete only for replacement	1.000	ST
9	4.037-013.0	Hook	1.000	ST
10	5.321-669.3	Handhold few	1.000	ST
11	7.303-096.0	Screw 4x22 -ST-10.9-R2R (IN6RD)	7.000	ST
12	5.481-331.0	Slider	1.000	ST
13	4.481-209.0	Lever complete	1.000	ST
14	4.363-691.0	O-Ring seal kpl. -nur fuer Ersatz-	1.000	ST
15	4.421-739.3	Adapter pipelines AVS-M22x1,5	1.000	ST
16	4.363-695.0	Grooved ring only for replacement	1.000	ST



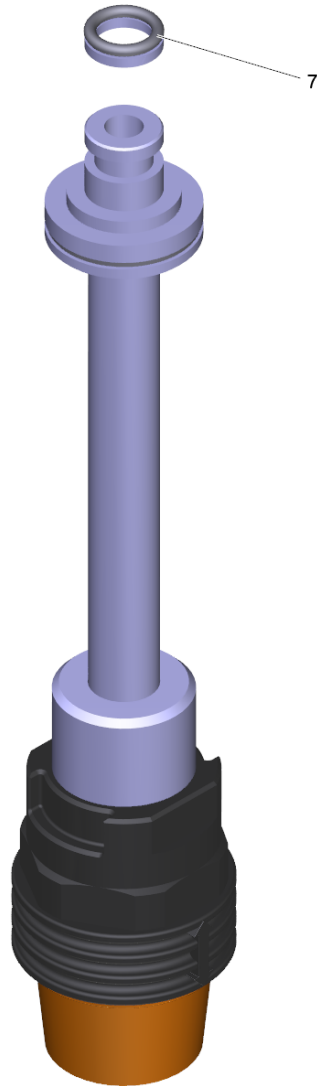
1 Rotary controller 416L (4.775-470.0)

POS	Article no.	Description	Quantity	Unit
4	5.321-668.0	Handle	1.000	ST
12	6.362-064.0	Quad joint ring 9.19x2.62	1.000	ST
30	7.343-069.0	Locking ring 25x1,2-1.4122 DIN 471	1.000	ST



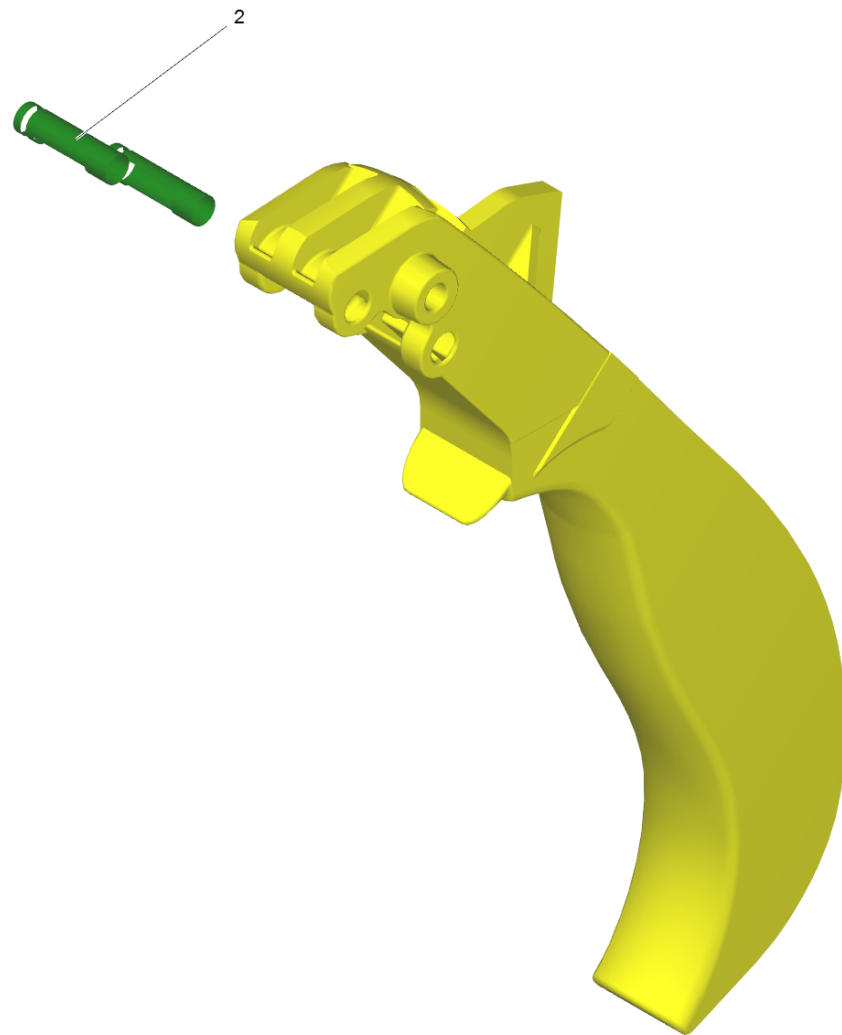
4 Hand trigger gun (4.775-466.0)

POS	Article no.	Description	Quantity	Unit
2	4.037-013.0	Hook	1.000	ST
32	5.321-669.3	Handhold few	1.000	ST
34	5.481-331.0	Slider	1.000	ST
45	7.303-096.0	Screw 4x22 -ST-10.9-R2R (IN6RD)	7.000	ST
60	4.421-739.3	Adapter pipelines AVS-M22x1,5	1.000	ST
9001	4.427-215.0	Manifold complete only for replacement	1.000	ST
9002	4.481-209.0	Lever complete	1.000	ST



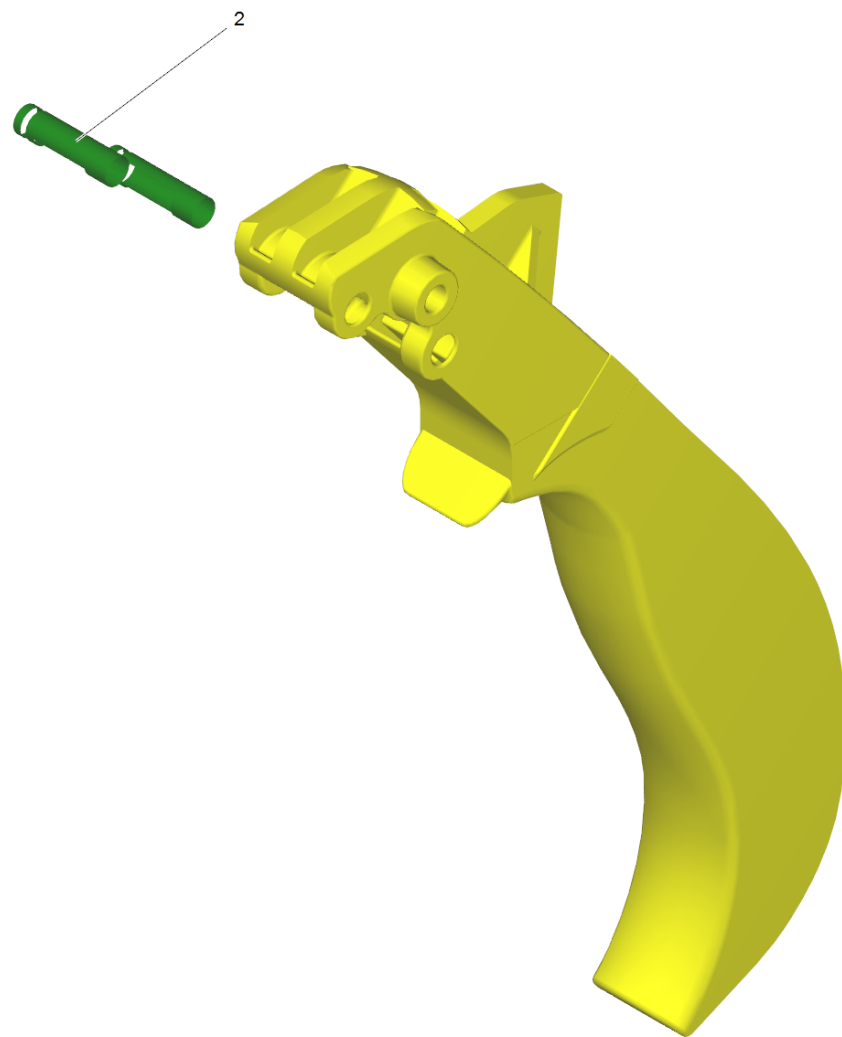
60 Adapter pipelines AVS-M22x1,5 (4.421-739.3)

POS	Article no.	Description	Quantity	Unit
7	4.363-691.0	O-Ring seal kpl. -nur fuer Ersatz-	1.000	ST



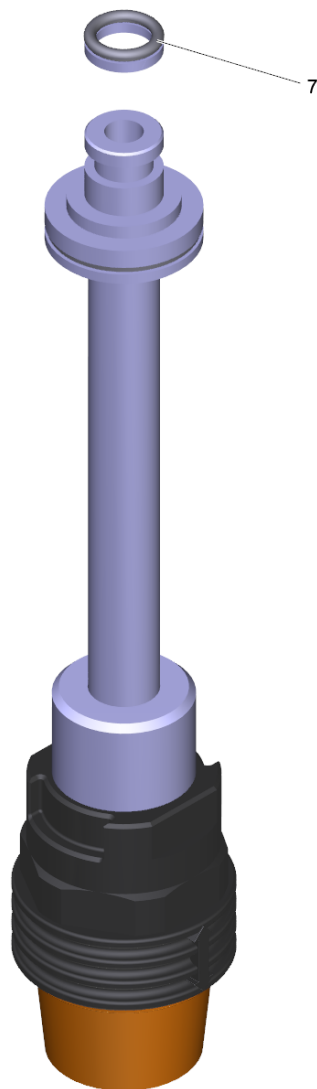
9002 Lever complete (4.481-209.0)

POS	Article no.	Description	Quantity	Unit
2	5.314-119.0	Pin	2.000	ST



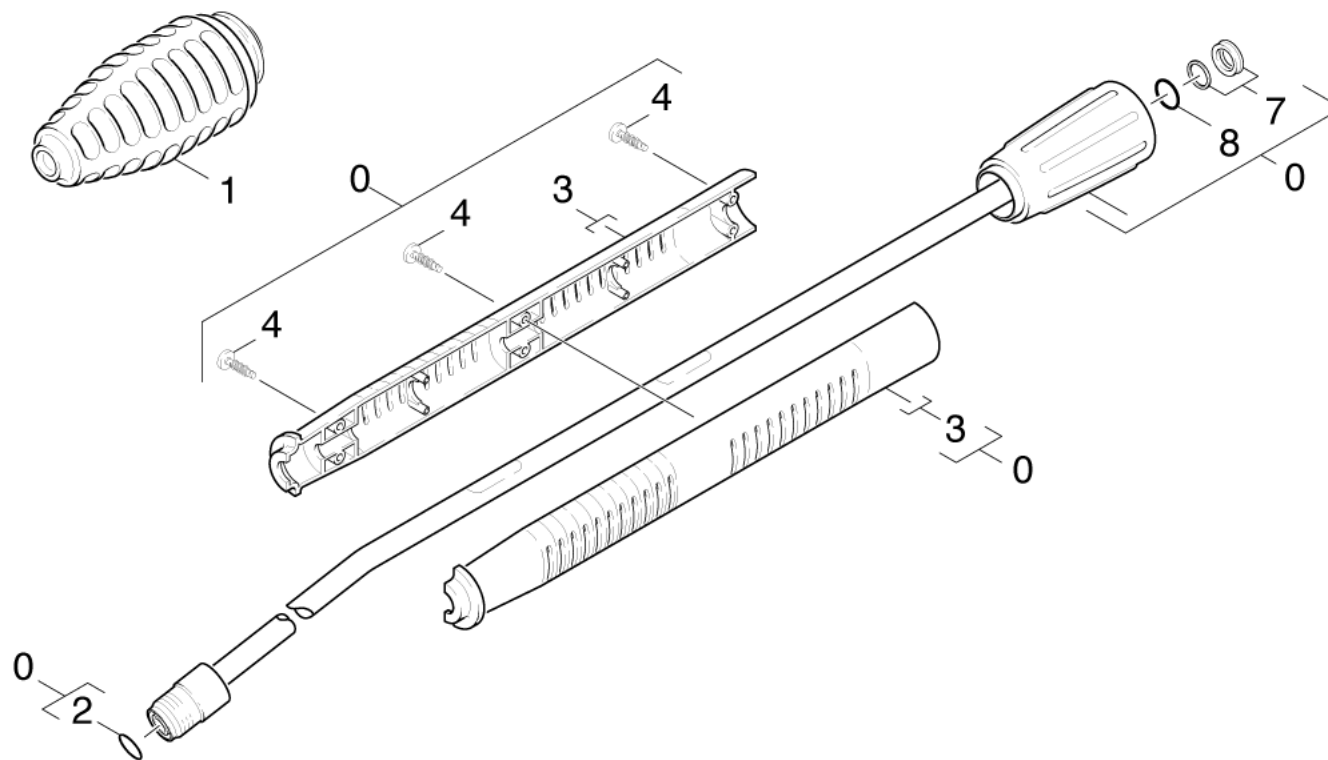
13 Lever complete (4.481-209.0)

POS	Article no.	Description	Quantity	Unit
2	5.314-119.0	Pin	2.000	ST



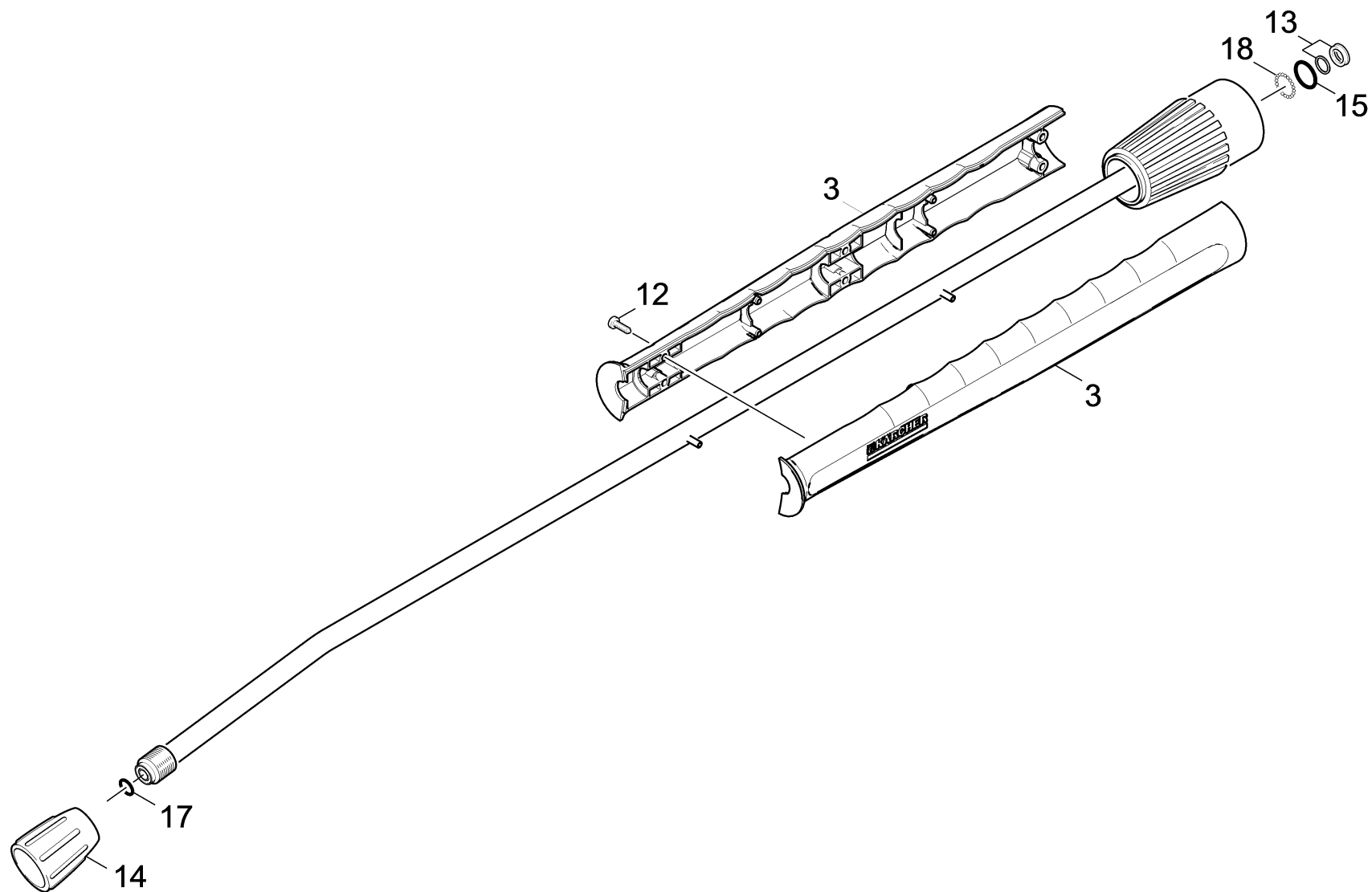
15 Adapter pipelines AVS-M22x1,5 (4.421-739.3)

POS	Article no.	Description	Quantity	Unit
7	4.363-691.0	O-Ring seal kpl. -nur fuer Ersatz-	1.000	ST



43 Jet pipe

POS	Article no.	Description	Quantity	Unit
0	4.760-660.0	Jet pipe packaged only for replacement	1.000	ST
1	4.763-253.0	Dirt blaster 05	1.000	ST
2	2.880-990.0	Spare part set O-Ring 5x -Kaercher	1.000	ST
3	5.321-691.0	Handhold few jet pipe	1.000	ST
4	6.303-025.0	Oval head screw 4,2x16-St-vz	6.000	ST
7	4.363-692.0	Grooved ring kpl. -nur fuer Ersatz-	1.000	ST
8	6.362-524.0	O-Ring seal 17,0 X 1,5	1.000	ST



Jet pipe packaged only for replacement (4.760-660.0)

POS	Article no.	Description	Quantity	Unit
3	5.321-855.0	Handhold few jet pipe with welding bolt	1.000	ST
12	7.303-129.0	Screw 4x16 -10.9-R2R (K-In6Rd)	6.000	ST
13	4.363-692.0	Grooved ring kpl. -nur fuer Ersatz-	1.000	ST
14	5.401-210.0	Screw connector part	1.000	ST
15	6.362-524.0	O-Ring seal 17,0 X 1,5	1.000	ST
17	2.880-990.0	Spare part set O-Ring 5x -Kaercher	1.000	ST
18	7.401-915.0	Sphere 2,5 G40 -1.4034 DIN 5401	1.000	ST

14 Screw connector part (5.401-210.0)

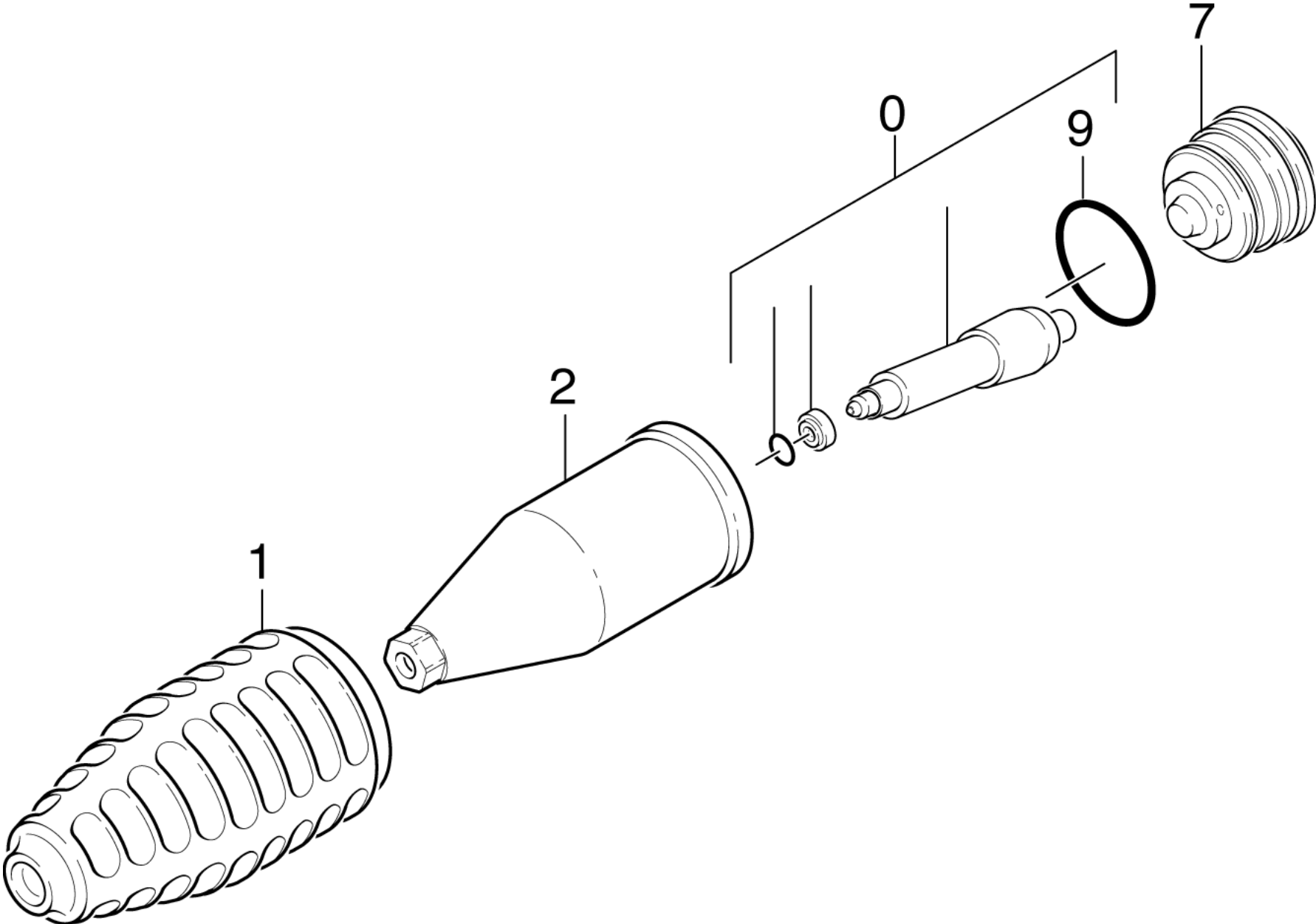
POS	Description	Quantity	Unit
10	SCREW CONNECTOR PART	1.000	ST

1 Dirt blaster 05 (4.763-253.0)

POS	Article no.	Description	Quantity	Unit
11	5.955-641.0	Spare parts list dirt blaster	1.000	ST

11 Spare parts list dirt blaster (5.955-641.0)

POS	Description	Quantity	Unit
10	Dirt blaster	1.000	ST

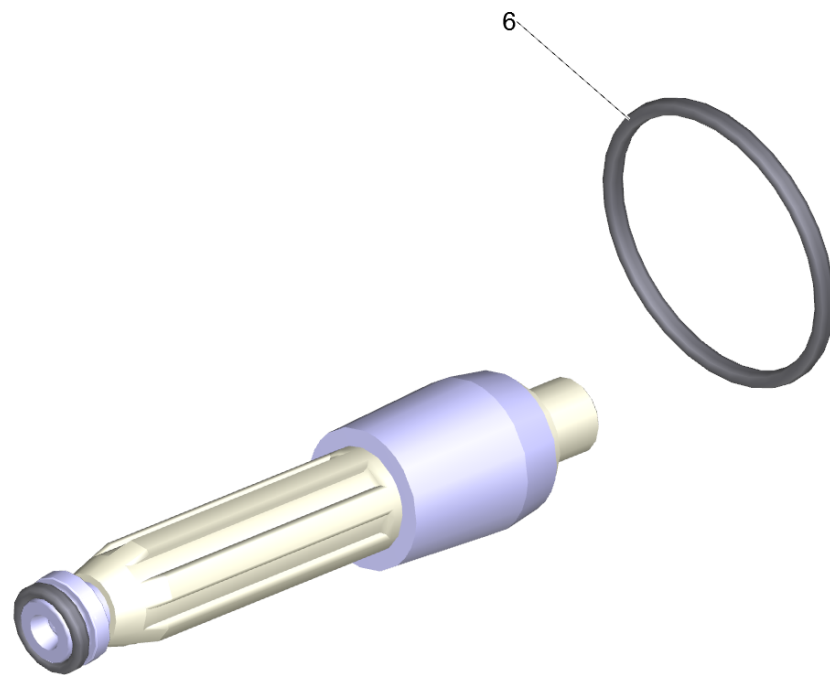


10 Dirt blaster

POS	Article no.	Description	Quantity	Unit	Remark
0	2.884-113.0	Spare part set dirt blaster 045	1.000	ST	4.763-988.0
		Item text1: / 4.763-988.0			
0	2.884-052.0	Spare part set dirt blaster 035	1.000	ST	4.763-931.0
		Item text1: / 4.763-931.0			
0	2.884-114.0	Spare part set dirt blaster 065	1.000	ST	4.763-989.0
		Item text1: / 4.763-989.0			
0	2.884-316.0	Spare part set dirt blaster 09	1.000	ST	
		Item text1: / 4.767-076.0			
0	2.881-025.0	Spare part set rotor 170	1.000	ST	4.764-201.0
0	2.884-051.0	Spare part set dirt blaster 120	1.000	ST	4.763-930.0
		Item text1: / 4.763-930.0			
0	2.885-196.0	Spare parts set rotor 100	1.000	ST	4.764-208.0
0		Spare part set rotor 125	1.000	ST	4.764-204.0
0	2.883-471.0	Spare part set dirt blaster 04-HD 1050	1.000	ST	4.763-252.0
		Item text1: / 4.763-252.0			
0	2.883-472.0	Spare part set dirt blaster 05	1.000	ST	4.763-253.0
		Item text1: / 4.763-253.0			
0	2.883-473.0	Spare part set dirt blaster 055/06	1.000	ST	4.763-250.0
		Item text1: / 4.763-250.0			
0	2.883-474.0	Spare part set dirt blaster 07/08-HDS 8	1.000	ST	4.763-254.0
		Item text1: / 4.763-254.0			
1	5.394-375.0	Protection part	1.000	ST	
2	5.060-500.3	Housing	1.000	ST	
7	5.063-709.0	Cover	1.000	ST	
		Item text1: / 4.763-931.0			
7	5.064-357.0	Cover high-pressure 25/15-4	1.000	ST	4.764-201.0 / 4.764-208.0
7		Cover high-pressure 20/15	1.000	ST	4.764-204.0
7	5.063-708.0	Cover	1.000	ST	
		Item text1: / 4.763-930.0			
7	5.063-618.0	Cover DGR F 055/F 06	1.000	ST	4.763-250/-938
		Item text1: / 4.763-250.0			
7	5.063-626.0	Cover DGR F 04	1.000	ST	4.763-252/-936
		Item text1: / 4.763-252.0			

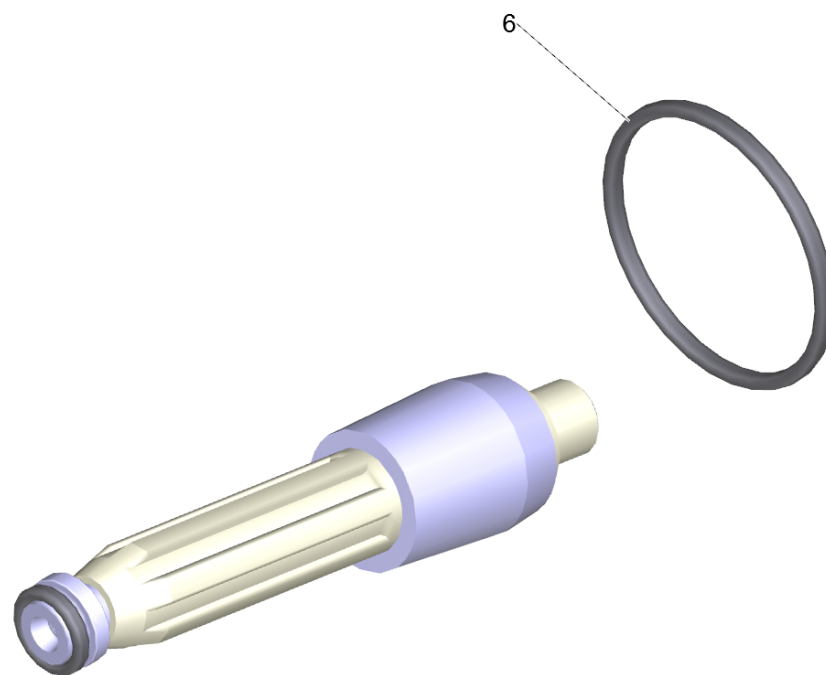
10 Dirt blaster

POS	Article no.	Description	Quantity	Unit	Remark
7	5.063-647.0	Cover DGR F 05	1.000	ST	
	Item text1: / 4.763-253.0				
7	5.063-648.0	Cover DGR F 70/F 08	1.000	ST	
	Item text1: / 4.763-254.0 / 4.767-076.0				
9	6.362-463.0	O-Ring seal 28,0 X 2,0-NBR 78	1.000	ST	



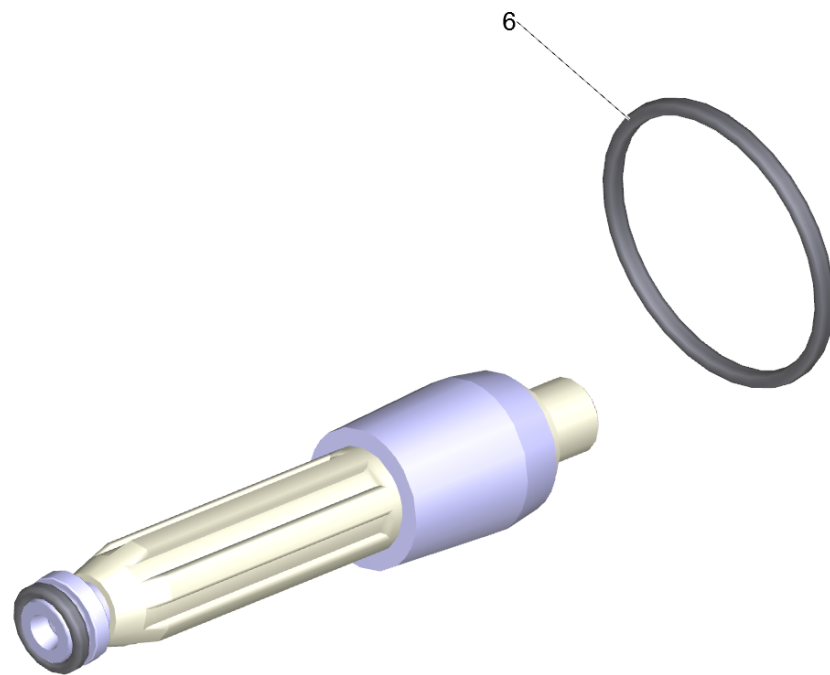
Spare part set rotor 170 (2.881-025.0)

POS	Article no.	Description	Quantity	Unit
6	6.362-463.0	O-Ring seal 28,0 X 2,0-NBR 78	1.000	ST



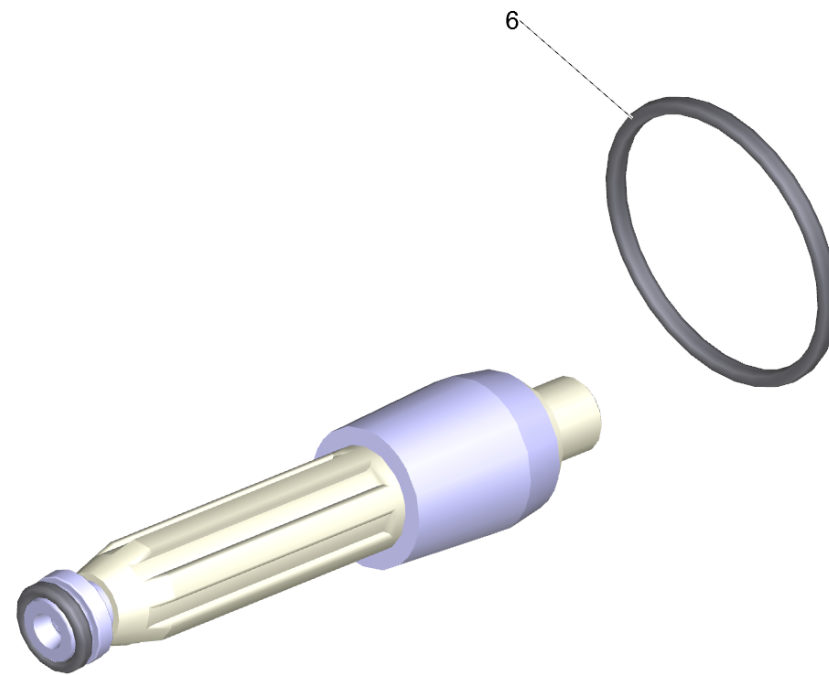
Spare part set dirt blaster 04-HD 1050 (2.883-471.0)

POS	Article no.	Description	Quantity	Unit
6	6.362-463.0	O-Ring seal 28,0 X 2,0-NBR 78	1.000	ST



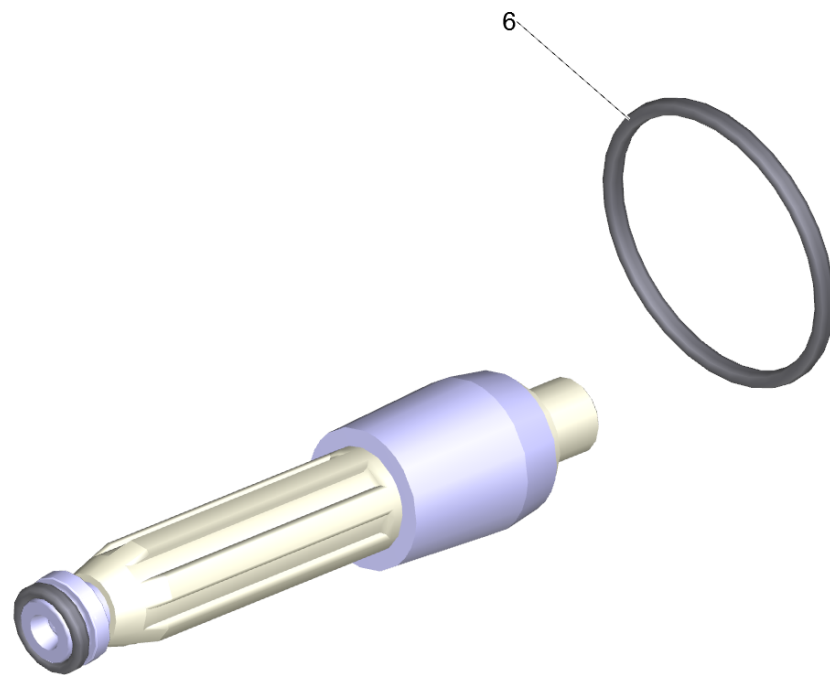
Spare part set dirt blaster 05 (2.883-472.0)

POS	Article no.	Description	Quantity	Unit
6	6.362-463.0	O-Ring seal 28,0 X 2,0-NBR 78	1.000	ST



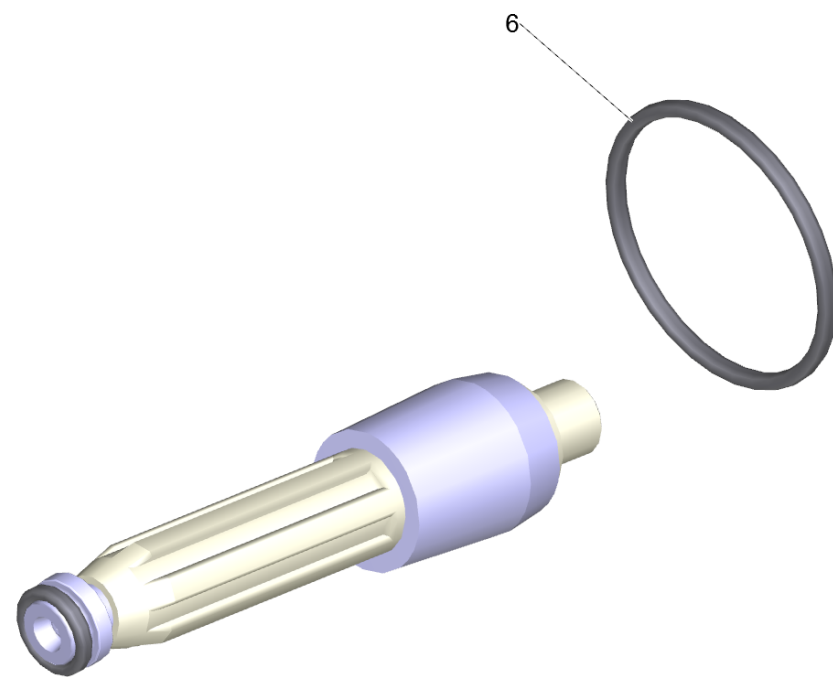
Spare part set dirt blaster 055/06 (2.883-473.0)

POS	Article no.	Description	Quantity	Unit
6	6.362-463.0	O-Ring seal 28,0 X 2,0-NBR 78	1.000	ST



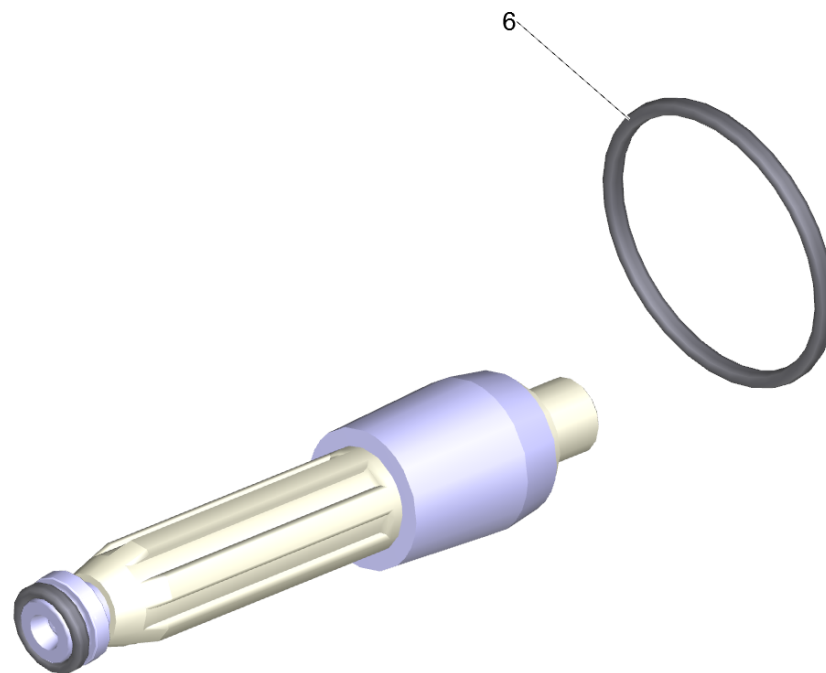
Spare part set dirt blaster 07/08-HDS 8 (2.883-474.0)

POS	Article no.	Description	Quantity	Unit
6	6.362-463.0	O-Ring seal 28,0 X 2,0-NBR 78	1.000	ST



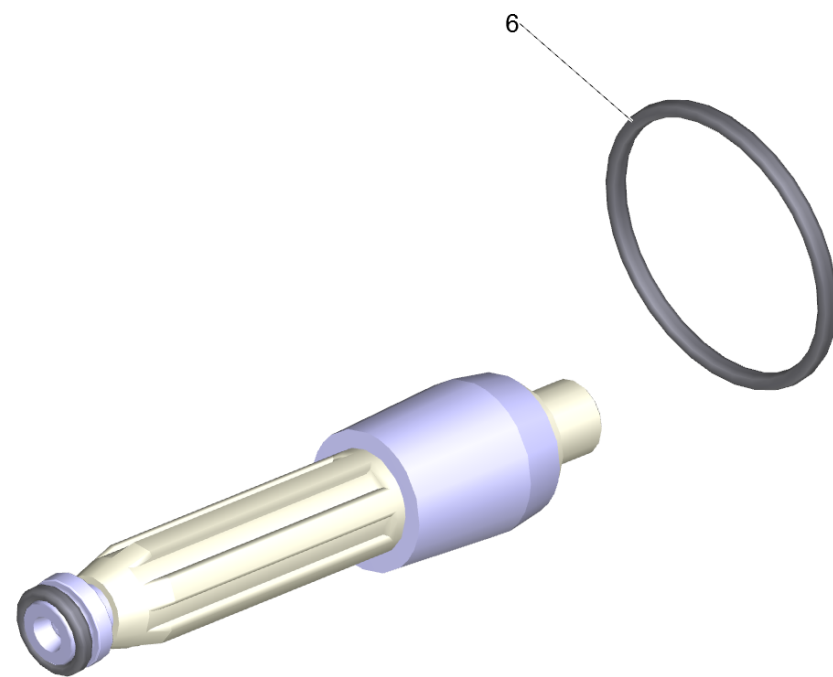
Spare part set dirt blaster 120 (2.884-051.0)

POS	Article no.	Description	Quantity	Unit
6	6.362-463.0	O-Ring seal 28,0 X 2,0-NBR 78	1.000	ST



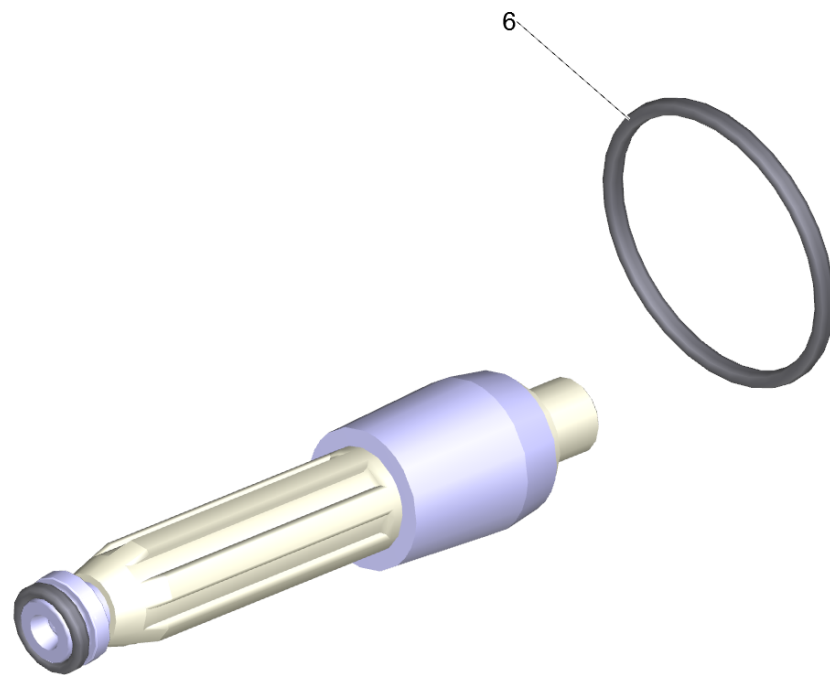
Spare part set dirt blaster 035 (2.884-052.0)

POS	Article no.	Description	Quantity	Unit
6	6.362-463.0	O-Ring seal 28,0 X 2,0-NBR 78	1.000	ST



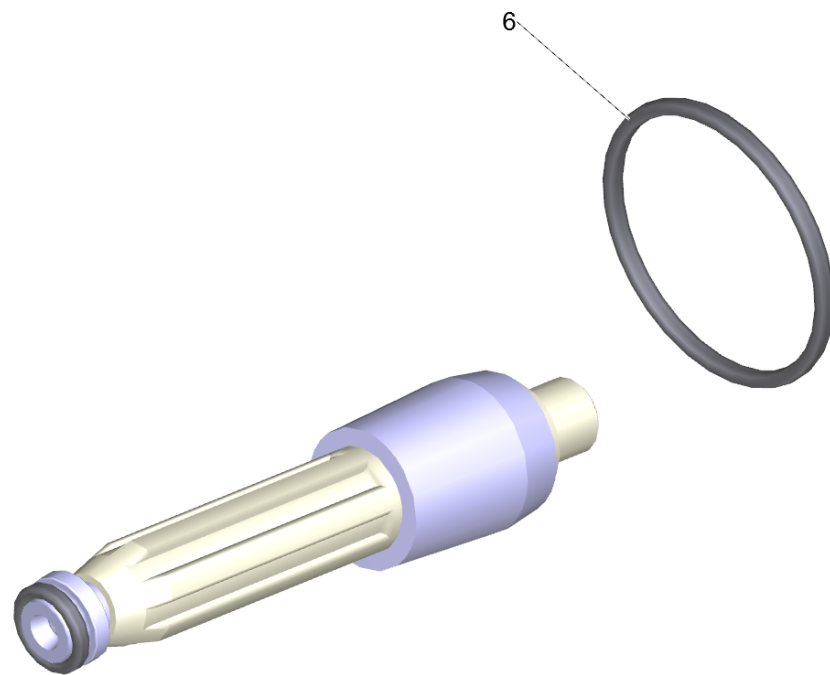
Spare part set dirt blaster 045 (2.884-113.0)

POS	Article no.	Description	Quantity	Unit
6	6.362-463.0	O-Ring seal 28,0 X 2,0-NBR 78	1.000	ST



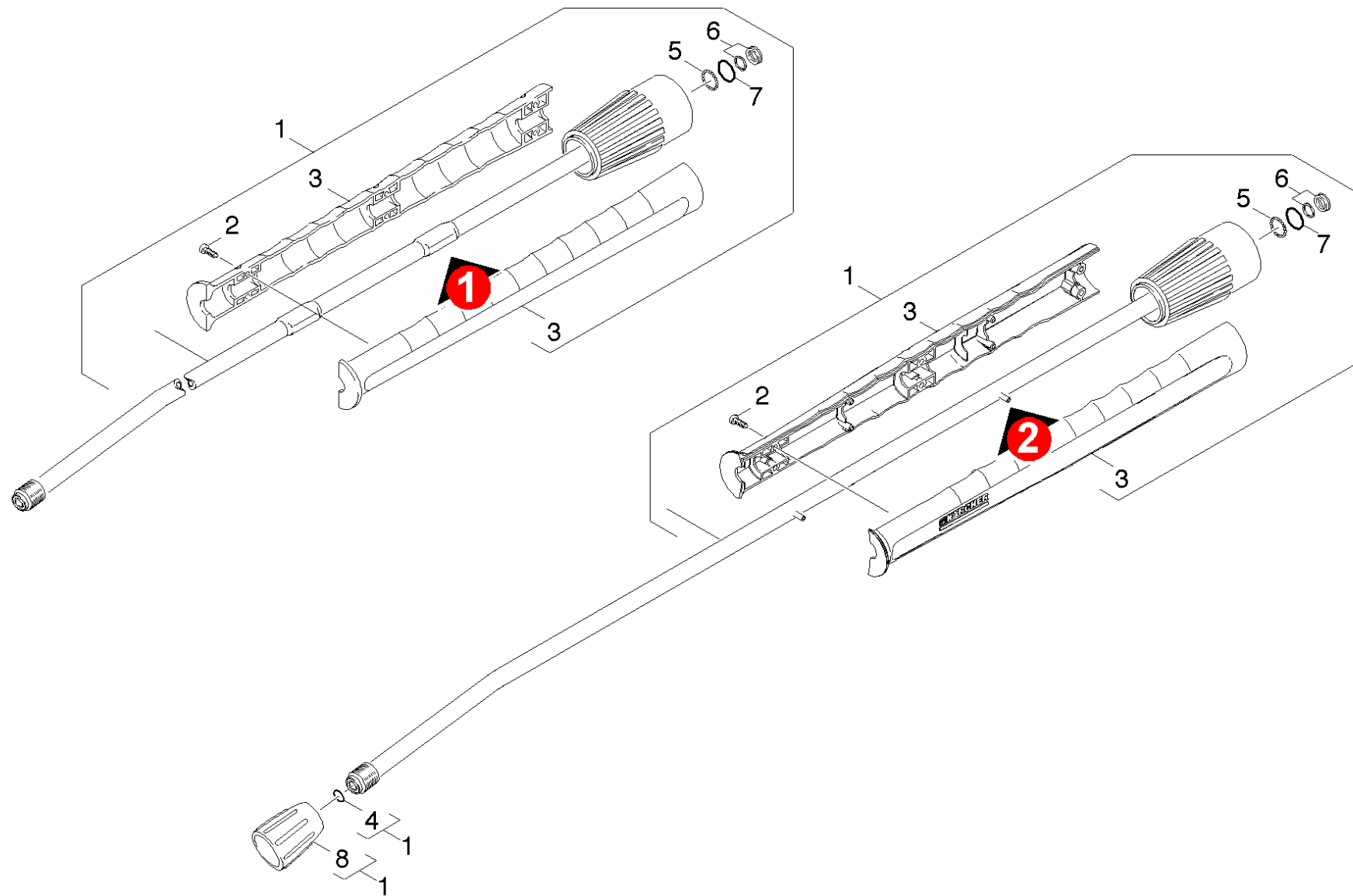
Spare part set dirt blaster 09 (2.884-316.0)

POS	Article no.	Description	Quantity	Unit
6	6.362-463.0	O-Ring seal 28,0 X 2,0-NBR 78	1.000	ST



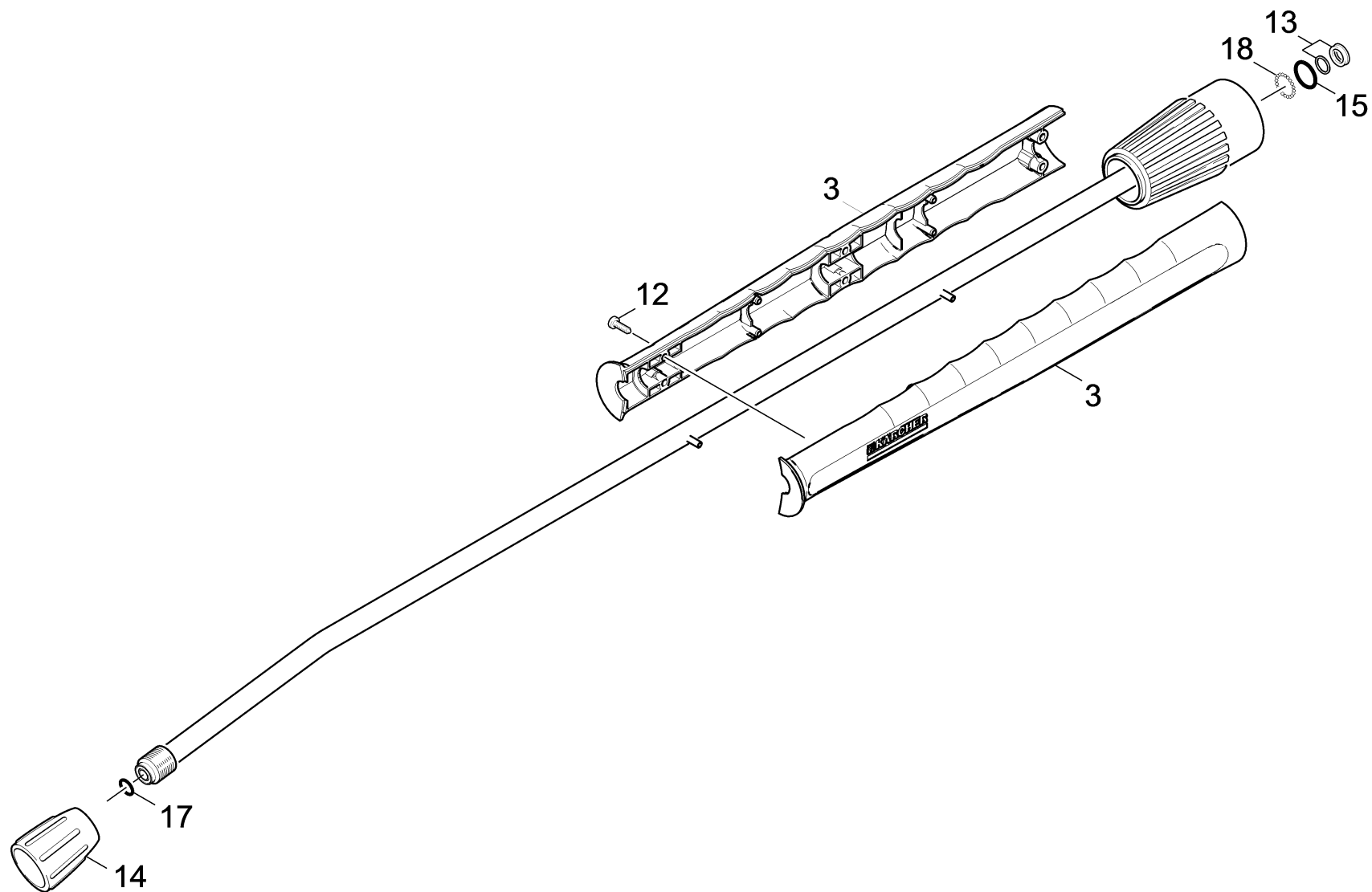
Spare parts set rotor 100 (2.885-196.0)

POS	Article no.	Description	Quantity	Unit
6	6.362-463.0	O-Ring seal 28,0 X 2,0-NBR 78	1.000	ST



44 Jet pipe

POS	Article no.	Description	Quantity	Unit	Remark
1	4.760-660.0	Jet pipe packaged only for replacement	1.000	ST	
2	7.303-129.0	Screw 4x16 -10.9-R2R (K-In6Rd)	6.000	ST	
3	5.321-855.0	Handhold few jet pipe with welding bolt	1.000	ST	VERSION 2
3	5.321-691.0	Handhold few jet pipe	1.000	ST	VERSION 1
4	2.880-990.0	Spare part set O-Ring 5x -Kaercher	1.000	ST	
5	7.401-915.0	Sphere 2,5 G40 -1.4034 DIN 5401	20.000	ST	
6	4.363-692.0	Grooved ring kpl. -nur fuer Ersatz-	1.000	ST	
7	6.362-524.0	O-Ring seal 17,0 X 1,5	1.000	ST	
8	5.401-129.0	Screw connector part	1.000	ST	

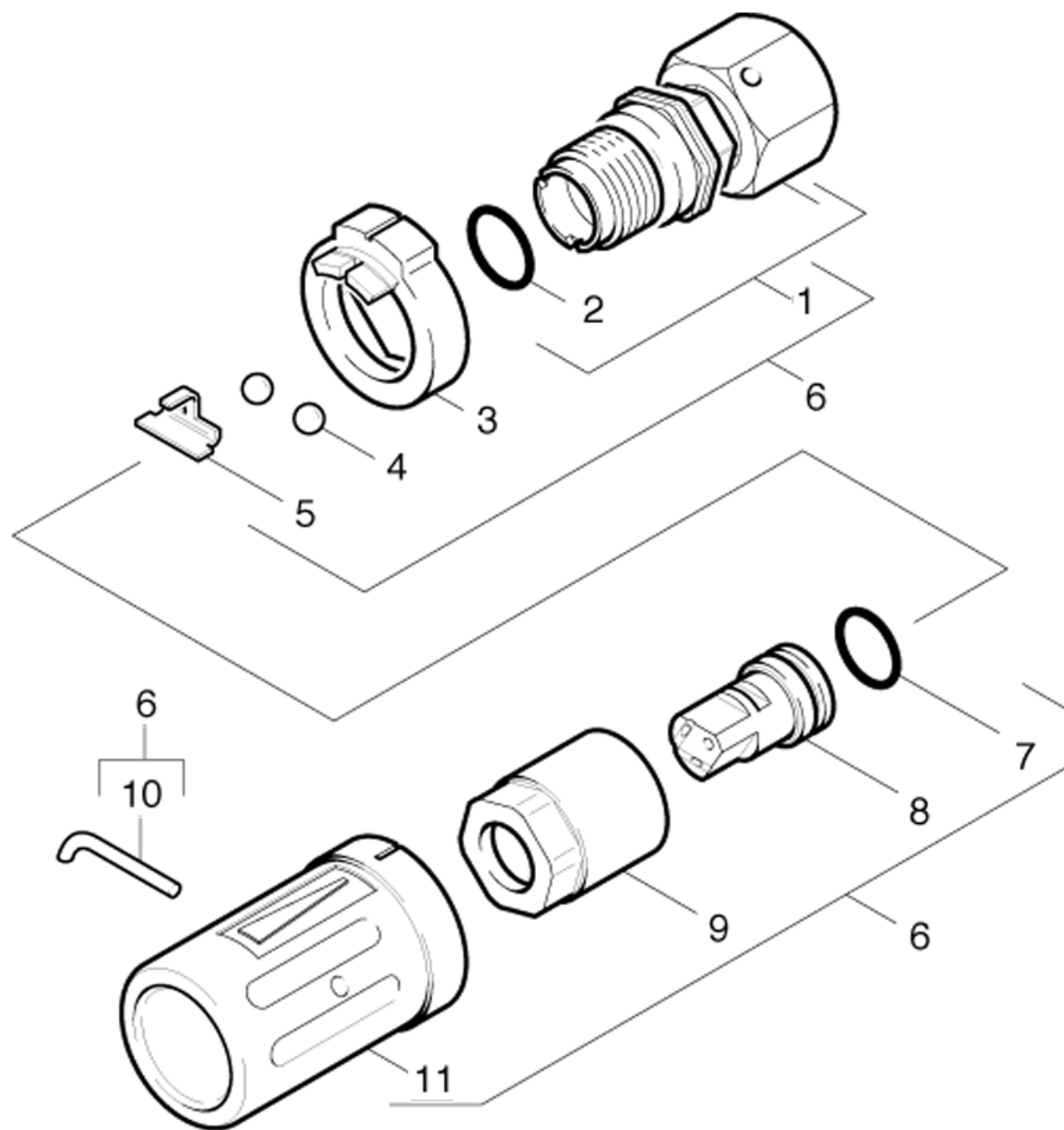


1 Jet pipe packaged only for replacement (4.760-660.0)

POS	Article no.	Description	Quantity	Unit
3	5.321-855.0	Handhold few jet pipe with welding bolt	1.000	ST
12	7.303-129.0	Screw 4x16 -10.9-R2R (K-In6Rd)	6.000	ST
13	4.363-692.0	Grooved ring kpl. -nur fuer Ersatz-	1.000	ST
14	5.401-210.0	Screw connector part	1.000	ST
15	6.362-524.0	O-Ring seal 17,0 X 1,5	1.000	ST
17	2.880-990.0	Spare part set O-Ring 5x -Kaercher	1.000	ST
18	7.401-915.0	Sphere 2,5 G40 -1.4034 DIN 5401	1.000	ST

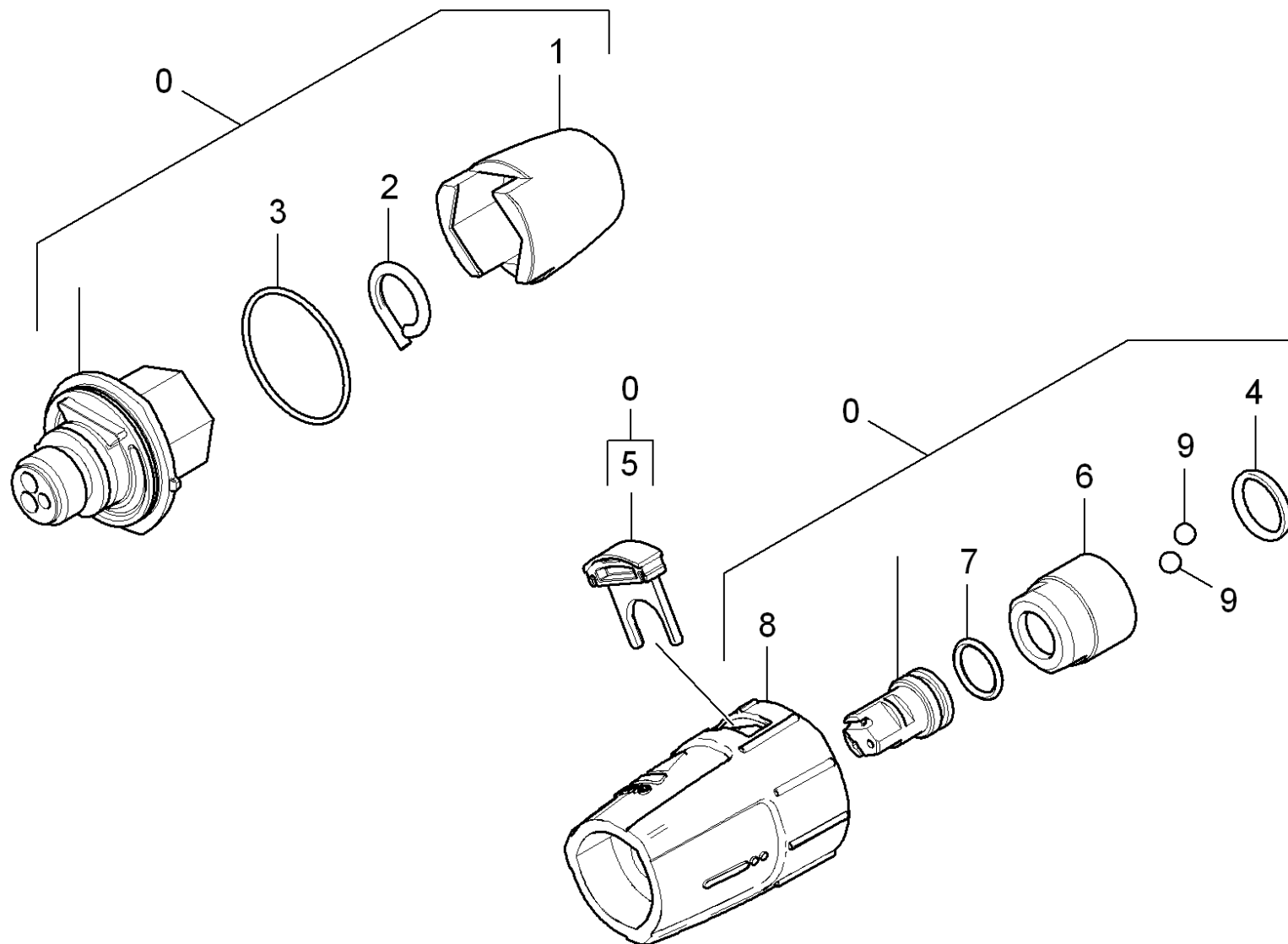
14 Screw connector part (5.401-210.0)

POS	Description	Quantity	Unit
10	SCREW CONNECTOR PART	1.000	ST



45 Nozzle

POS	Article no.	Description	Quantity	Unit
1	4.402-042.0	Screw union	1.000	ST
2	6.362-460.0	O-Ring seal 14,0 X 2,5-NBR 70	1.000	ST
3	5.030-528.0	Moulded part	1.000	ST
4	7.401-902.0	Sphere 5 G20 -1.4034 DIN 5401	2.000	ST
5	5.042-405.0	Holder	1.000	ST
6	7.777-999.0	Stockpiling discontinued	1.000	ST
7	6.362-480.0	O-Ring seal 12,42x 1,78	1.000	ST
8	5.415-607.0	Triple jet nozzle 050	1.000	ST
9	5.311-117.0	Hexagon nut	1.000	ST
10	5.037-059.0	Hook	1.000	ST
11	5.394-269.0	Protection part	1.000	ST



46 Nozzle

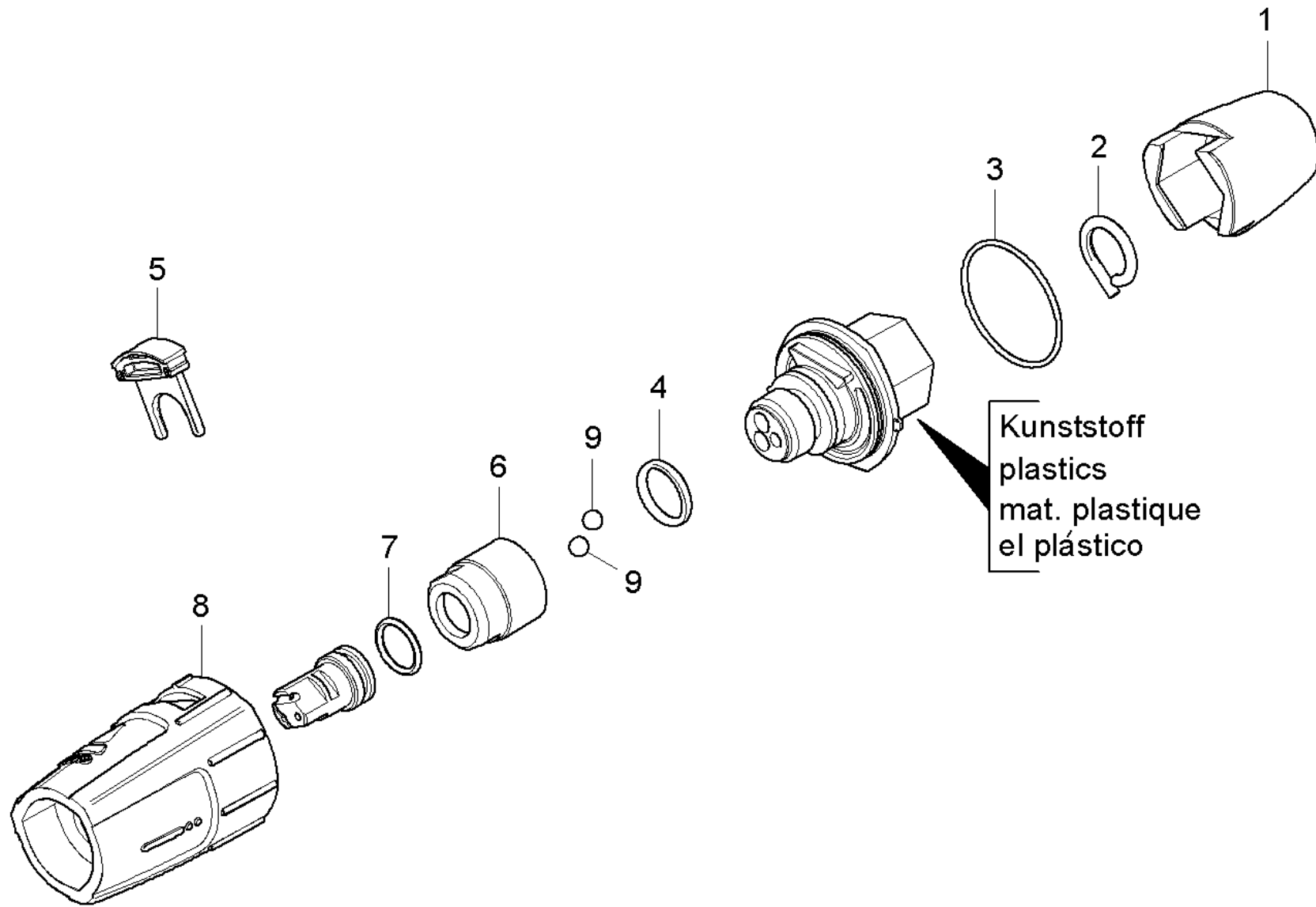
POS	Article no.	Description	Quantity	Unit
0	4.767-154.0	Triple jet nozzle only for replacement 0	1.000	ST
1	5.394-530.0	Protection part complete	1.000	ST
2	6.343-150.0	Pin 03	1.000	ST
3	6.362-409.0	O-Ring seal 32,0 X 1,5	1.000	ST
4	6.362-460.0	O-Ring seal 14,0 X 2,5-NBR 70	1.000	ST
5	5.321-884.0	Clamp	1.000	ST
6	5.311-225.0	Nut	1.000	ST
7	6.362-480.0	O-Ring seal 12,42x 1,78	1.000	ST
8	5.394-859.0	Protection part	1.000	ST
9	7.401-902.0	Sphere 5 G20 -1.4034 DIN 5401	2.000	ST

Triple jet nozzle only for replacement 0 (4.767-154.0)

POS	Article no.	Description	Quantity	Unit
2	5.970-837.0	Spare parts list triple jet nozzle	1.000	ST

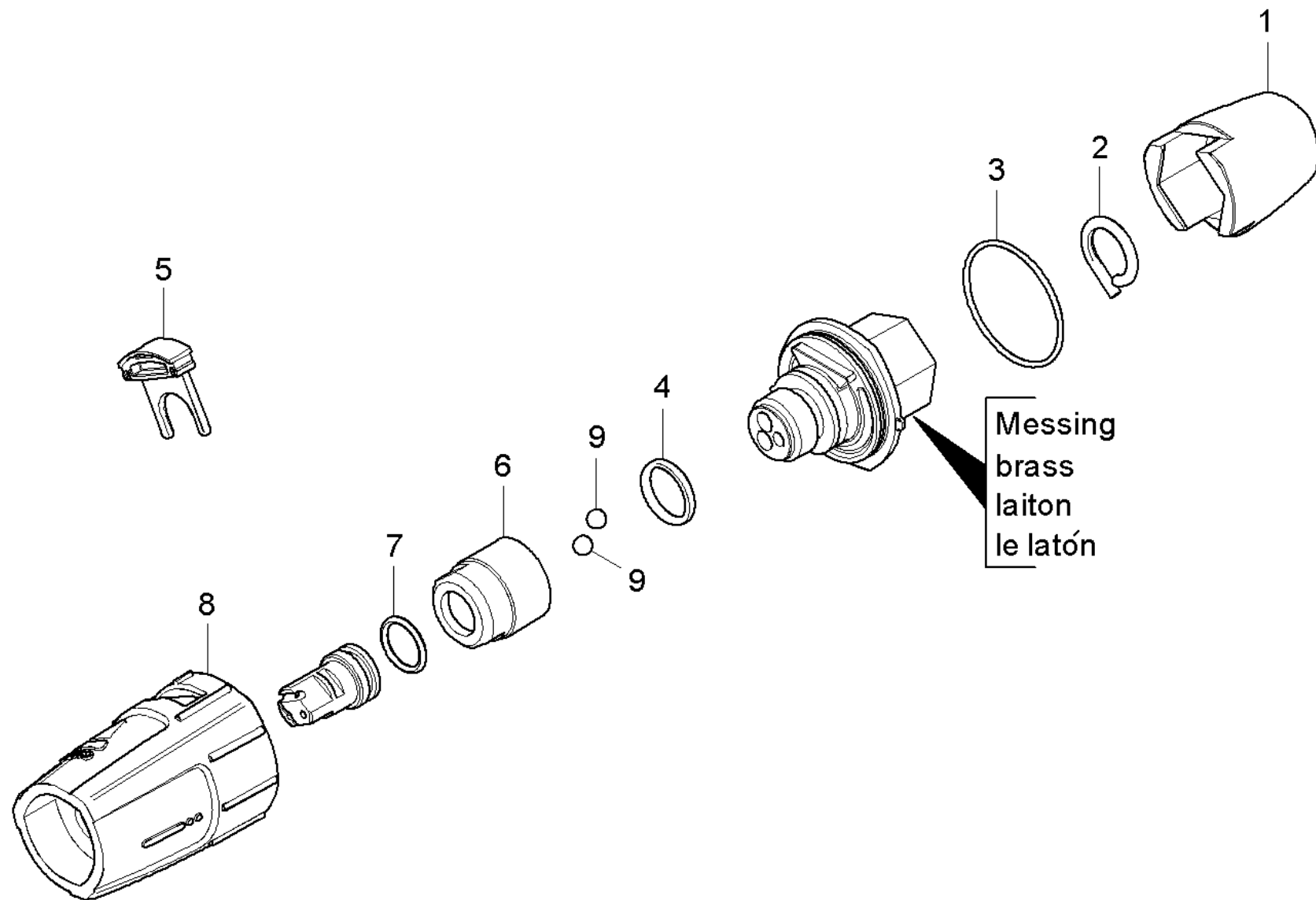
2 Spare parts list triple jet nozzle (5.970-837.0)

POS	Description	Quantity	Unit
10	Triple jet nozzle plastics	1.000	ST
20	Triple jet nozzle brass	1.000	ST



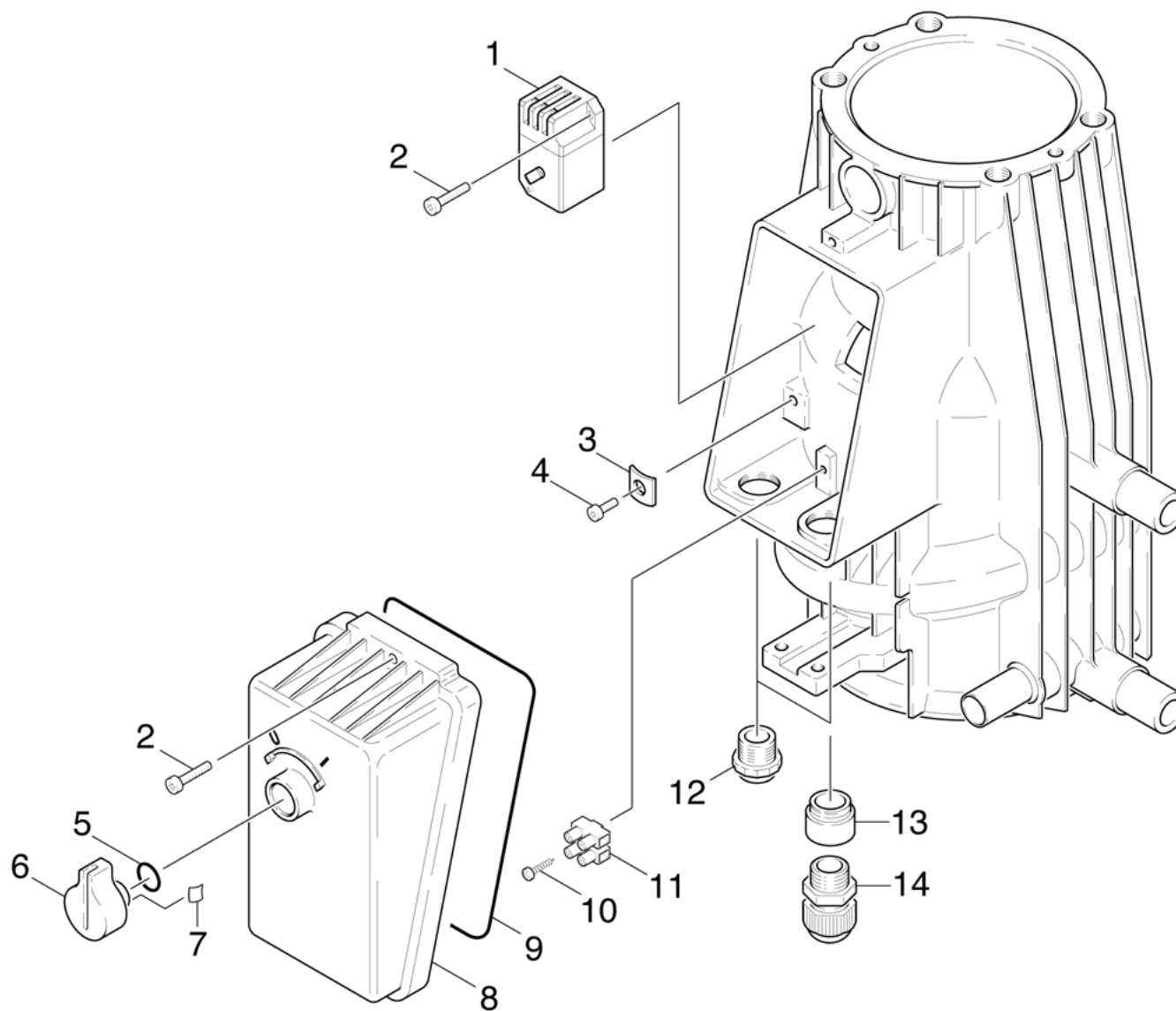
10 Triple jet nozzle plastics

POS	Article no.	Description	Quantity	Unit
1	5.394-530.0	Protection part complete	1.000	ST
2	6.343-150.0	Pin 03	1.000	ST
3	6.362-409.0	O-Ring seal 32,0 X 1,5	1.000	ST
4	7.362-039.0	O-Ring seal 15,5x1,5 -NBR70 DIN 3771	1.000	ST
5	5.321-884.0	Clamp	1.000	ST
6	5.311-236.0	Nut	1.000	ST
7	6.362-480.0	O-Ring seal 12,42x 1,78	1.000	ST
8	5.394-874.0	Protection part	1.000	ST
9	7.401-902.0	Sphere 5 G20 -1.4034 DIN 5401	2.000	ST



20 Triple jet nozzle brass

POS	Article no.	Description	Quantity	Unit
1	5.394-530.0	Protection part complete	1.000	ST
2	6.343-150.0	Pin 03	1.000	ST
3	6.362-409.0	O-Ring seal 32,0 X 1,5	1.000	ST
4	6.362-460.0	O-Ring seal 14,0 X 2,5-NBR 70	1.000	ST
5	5.321-884.0	Clamp	1.000	ST
6	5.311-225.0	Nut	1.000	ST
7	6.362-480.0	O-Ring seal 12,42x 1,78	1.000	ST
8	5.394-859.0	Protection part	1.000	ST
9	7.401-902.0	Sphere 5 G20 -1.4034 DIN 5401	2.000	ST



50 Electric control box

POS	Article no.	Description	Quantity	Unit	Foot note text
1	6.631-428.0	Motor protecting switch -22-27A	1.000	ST	
	Item text1: / 1.951-955.0				
1	6.631-190.0	Motor protecting switch	1.000	ST	
	Item text1: / 1.951-954.0				
2	7.309-016.0	Screw M4x22-Z7-1 -4.8-A2E DIN6900	3.000	ST	
3	6.641-708.0	Clamping washer 5	1.000	ST	
5	6.472-112.0	O-Ring seal 10,0 x 2,4 NBR 70	1.000	ST	
6	5.321-556.0	Handhold	1.000	ST	
7	6.313-003.0	Locking spring	1.000	ST	
8	5.066-615.0	Cover	1.000	ST	
9	6.273-070.0	Seal string cellular rubber 4	1.000	M	TO ORDER AS CUT GOODS
10	7.303-501.0	Self-tapping screw M3x20-ST-A2E DIN 7500	1.000	ST	
11	6.643-552.0	Strip terminal two-pole	1.000	ZST	
12	6.647-408.0	Twisting sleeve PG13,5	2.000	ST	
	Item text1: / 1.951-954.0				
13	6.641-394.0	Adaptor PG13,5-PG16	1.000	ST	
	Item text1: / 1.951-955.0				
14	6.641-356.0	Cable gland PG16	1.000	ST	
	Item text1: / 1.951-955.0				