

## **Spare parts list**

(1.086-111.0) HD 895 S \*EU

## Table of contents

---

HD 895 S *EU (1.086-111.0)	4
Spare parts list HD 895 S (5.955-872.0)	5
10 Individual parts	6
20 Pump set	8
21 Cylinder head	9
5 Valve (3 Stueck) (2.884-512.0)	12
13 Valve complete (4.580-323.0)	14
100 COMPLETE PUMP SET (2.883-816.0)	16
10 Valve complete (4.580-323.0)	17
20 Valve (3 Stueck) (2.884-512.0)	19
22 Cylinder head	21
23 Cylinder head	23
24 Piston	25
30 Motor	27
31 Transmission	29
32 Ventilation	31
40 Accessories	33
41 Hand trigger gun	34
100 Spare part set (2.883-903.0)	36
42 Hand trigger gun	37
4 Lever complete (4.481-209.0)	39
43 Hand trigger gun	41
44 Hand trigger gun	43
5 Lever complete (4.481-209.0)	45
45 Jet pipe	47
5 Dirt blaster 05 (4.763-253.0)	49
11 Spare parts list dirt blaster (5.955-641.0)	50
10 Dirt blaster	51
Spare part set rotor 170 (2.881-025.0)	54
Spare part set dirt blaster 04-HD 1050 (2.883-471.0)	56
Spare part set dirt blaster 05 (2.883-472.0)	58
Spare part set dirt blaster 055/06 (2.883-473.0)	60
Spare part set dirt blaster 07/08-HDS 8 (2.883-474.0)	62
Spare part set dirt blaster 120 (2.884-051.0)	64
Spare part set dirt blaster 035 (2.884-052.0)	66
Spare part set dirt blaster 045 (2.884-113.0)	68
Spare part set dirt blaster 09 (2.884-316.0)	70
Spare parts set rotor 100 (2.885-196.0)	72

## Table of contents

---

46 Jet pipe	74
Jet pipe packaged only for replacement (4.760-660.0)	76
14 Screw connector part (5.401-210.0)	78
47 Jet pipe	79
1 Jet pipe packaged only for replacement (4.760-660.0)	81
14 Screw connector part (5.401-210.0)	83
48 Nozzle	84
49 Nozzle	86
Triple jet nozzle only for replacement 0 (4.767-154.0)	88
2 Spare parts list triple jet nozzle (5.970-837.0)	89
10 Triple jet nozzle plastics	90
20 Triple jet nozzle brass	92
Triple jet nozzle only for replacement 0 (4.767-156.0)	94
2 Spare parts list triple jet nozzle (5.970-837.0)	95
10 Triple jet nozzle plastics	96
20 Triple jet nozzle brass	98
50 Electric control box	100
51 Electric control box	102
52 Electric control box	104

HD 895 S \*EU (1.086-111.0)

---

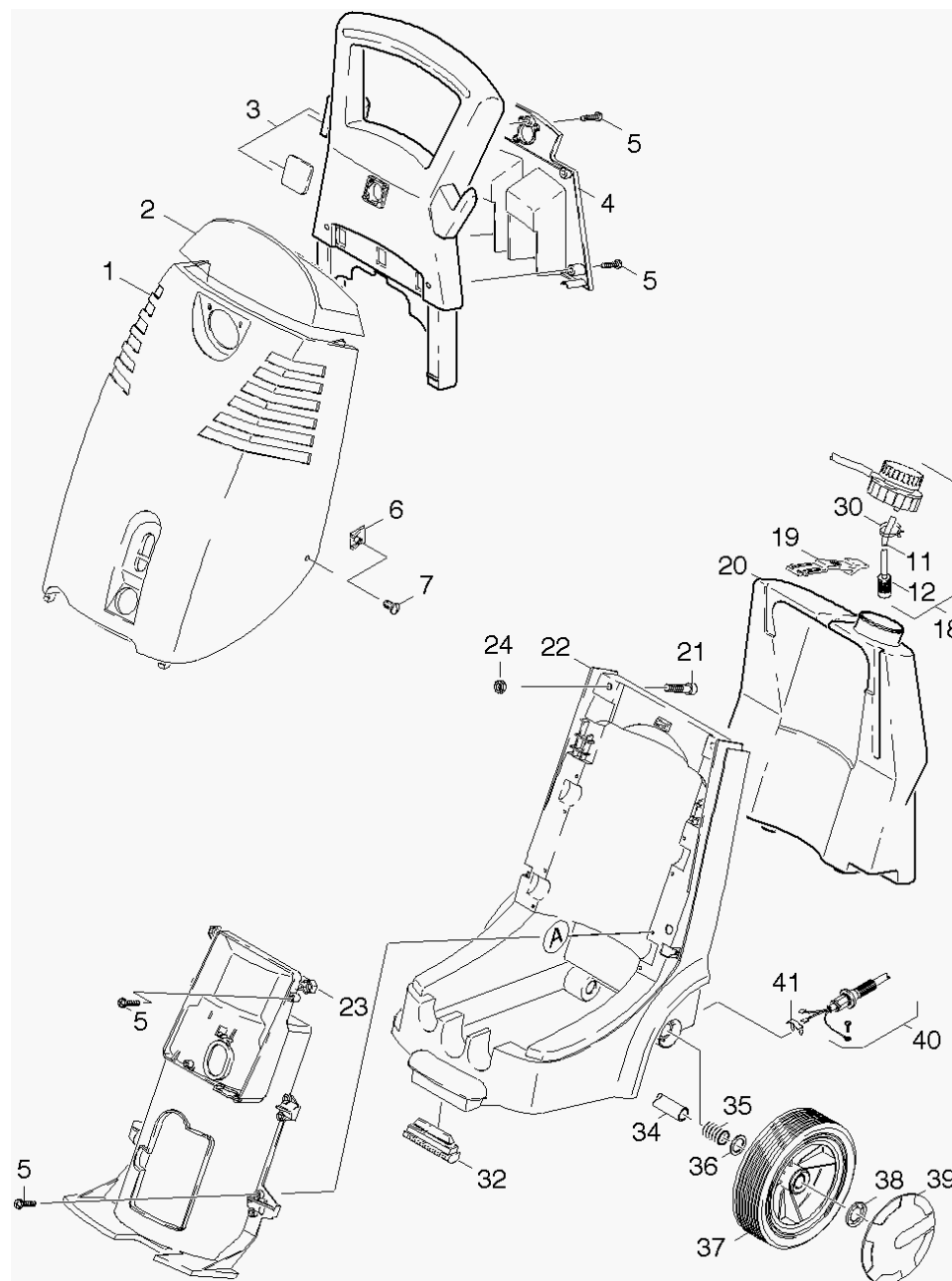
POS	Article no.	Description	Quantity	Unit
0	5.955-872.0	Spare parts list HD 895 S	1.000	ST
	Item text2: 10861110			

---

Spare parts list HD 895 S (5.955-872.0)

---

<b>POS</b>	<b>Description</b>	<b>Quantity</b>	<b>Unit</b>
10	Individual parts	1.000	ST
20	Pump set	1.000	ST
30	Motor	1.000	ST
40	Accessories	1.000	ST
50	Electric control box	1.000	ST



## 10 Individual parts

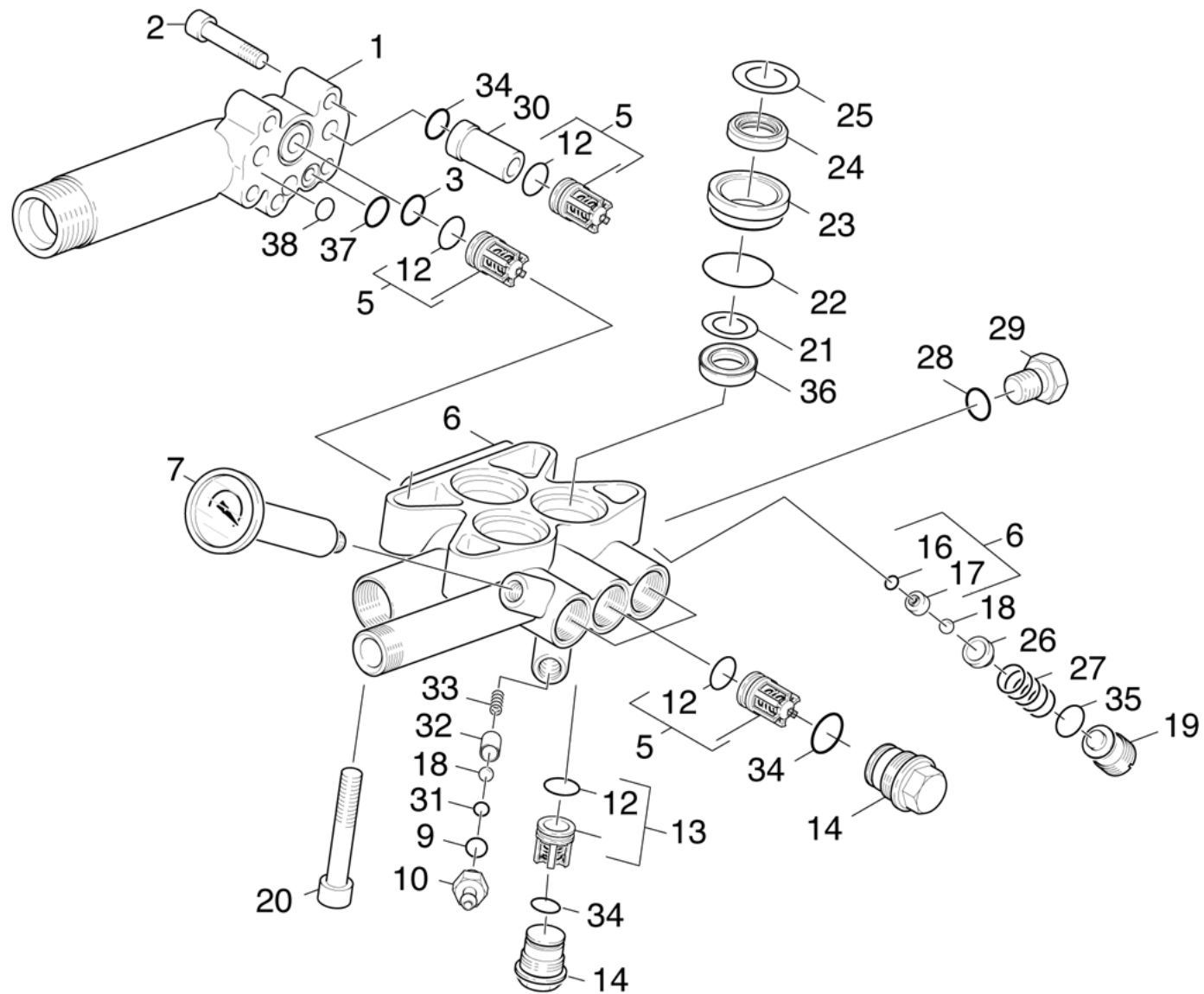
POS	Article no.	Description	Quantity	Unit
1	5.067-018.0	Device cover for replacement	1.000	ST
2	5.042-958.0	Hose hanger	1.000	ST
3	4.321-105.0	Handhold complete only for replacement	1.000	ST
4	4.063-613.0	Cover complete	1.000	ST
5	7.303-109.0	Screw 5x25 -10.9-R2R (In6Rd)	16.000	ST
6	6.310-053.0	Putting nut	2.000	ST
7	6.304-099.0	Saucer-head screw M 6x 18-4.8-R2R	2.000	ST
11	6.388-216.0	Hose DN 5	1.000	M
12	5.731-652.0	Filter with weight	1.000	ST
18	4.580-316.0	Proportioning valve chemistry	1.000	ST
19	5.042-970.0	Holder	1.000	ST
20	5.071-095.0	Tank chemistry	1.000	ST
21	7.306-151.0	Cylinder head screw M8x65 -8.8-A2E ISO4	2.000	ST
22	5.605-227.0	Housing chassis	1.000	ST
23	5.060-685.0	Air circulation	1.000	ST
24	7.311-427.0	Hexagon nut M8 -04-A2E DIN 985	2.000	ST
30	6.389-567.0	Hose clip	1.000	ST
32	5.057-062.0	Support	1.000	ST
34	5.028-938.0	Tube axle	1.000	ST
35	5.332-411.0	Helical spring	2.000	ST
36	5.115-255.0	Washer	2.000	ST
37	6.435-290.0	Wheel D200	2.000	ST
38	6.343-216.0	Lock washer	2.000	ST
39	6.435-197.0	Wheel cap zinc yellow	2.000	ST
40	7.777-999.0	Stockpiling discontinued	1.000	ST
	<b>Item text1:</b> / 1.086-291.0			
40	6.647-802.0	Cable with plug	1.000	ST
	<b>Item text1:</b> / 1.086-111.0 / -911.0			
40	6.647-848.0	Cable without plug	1.000	ST
	<b>Item text1:</b> / 1.086-281.0 / -781.0			
41	6.343-170.0	Retaining clip	1.000	ST

20 Pump set

---

<b>POS</b>	<b>Description</b>	<b>Quantity</b>	<b>Unit</b>	<b>Remark</b>
21	Cylinder head	1.000	ST	
22	Cylinder head	1.000	ST	VERSION 1
23	Cylinder head	1.000	ST	VERSION 2
24	Piston	1.000	ST	





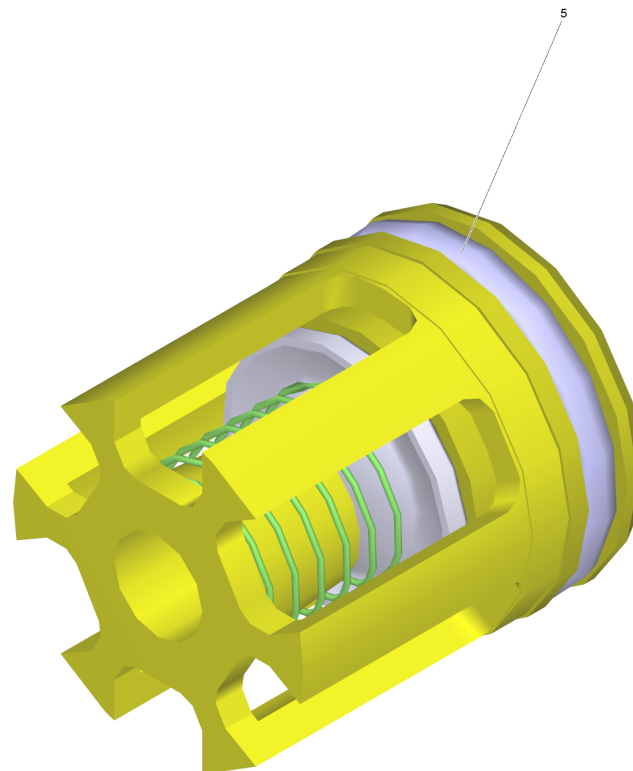
## 21 Cylinder head

POS	Article no.	Description	Quantity	Unit
1	5.060-599.0	Valve housing	1.000	ST
2	7.306-044.0	Cylinder head screw M8x35 -8.8-A2E ISO4	5.000	ST
3	6.362-547.0	O-Ring seal 20,0x1,5-NBR 70	1.000	ST
5	2.884-512.0	Valve (3 Stueck)	1.000	ST
6	4.550-328.0	Cylinder head complete only for replacem	1.000	ST
7	6.421-306.0	Pressure gauge 0-30 MPa	1.000	ST
9	6.362-113.0	O-Ring seal 6,0 x 2,0 NBR 70	1.000	ST
10	5.443-370.0	Nipple	1.000	ST
12	6.362-381.0	O-Ring seal 13x2 - NBR 70	7.000	ST
13	4.580-323.0	Valve complete	1.000	ST
14	5.583-146.3	Valve screw	4.000	ST
16	6.362-703.0	O-Ring seal 6,0x1,5-NBR 70	1.000	ST
17	5.581-218.0	Valve seat	1.000	ST
18	7.401-908.0	Sphere 7 G300 -1.4301 DIN 5401	2.000	ST
19	5.583-089.0	Valve screw	1.000	ST
20	7.306-125.0	Cylinder head screw M10x70-8.8-A3E ISO4	4.000	ST
21	5.115-492.0	Washer	3.000	ST
22	6.362-398.0	O-Ring seal 27,5 X 1,5-NBR 70	3.000	ST
23	5.112-402.3	Bush	3.000	ST
24	6.365-351.0	Compact seal 16 x 24 x 4	3.000	ST
25	5.115-493.0	Washer	3.000	ST
26	5.582-075.0	Valve disc	1.000	ST
27	5.332-203.0	Helical spring	1.000	ST
28	6.362-101.0	O-Ring seal 8 X 2	1.000	ST
29	5.411-070.0	Screw plug	1.000	ST
30	5.110-608.0	Sleeve	2.000	ST
31	6.363-597.0	O-Ring seal 5,28 x 1,78	1.000	ST
32	5.110-522.0	Sleeve	1.000	ST
33	5.332-258.0	Helical spring	1.000	ST
34	6.362-481.0	O-Ring seal 14,0 x 2,0 NBR 80	6.000	ST
35	6.362-169.0	O-Ring seal 12,0 X 2,0	1.000	ST
36	6.365-408.0	Grooved ring 16x24x5.3	3.000	ST
37	6.362-384.0	O-Ring seal 9x1,5 - NBR 70	1.000	ST

## 21 Cylinder head

---

<b>POS</b>	<b>Article no.</b>	<b>Description</b>	<b>Quantity</b>	<b>Unit</b>
38	6.362-658.0	O-Ring seal 7 X 1,5-NBR 90	1.000	ST
100	2.883-816.0	COMPLETE PUMP SET	1.000	ST

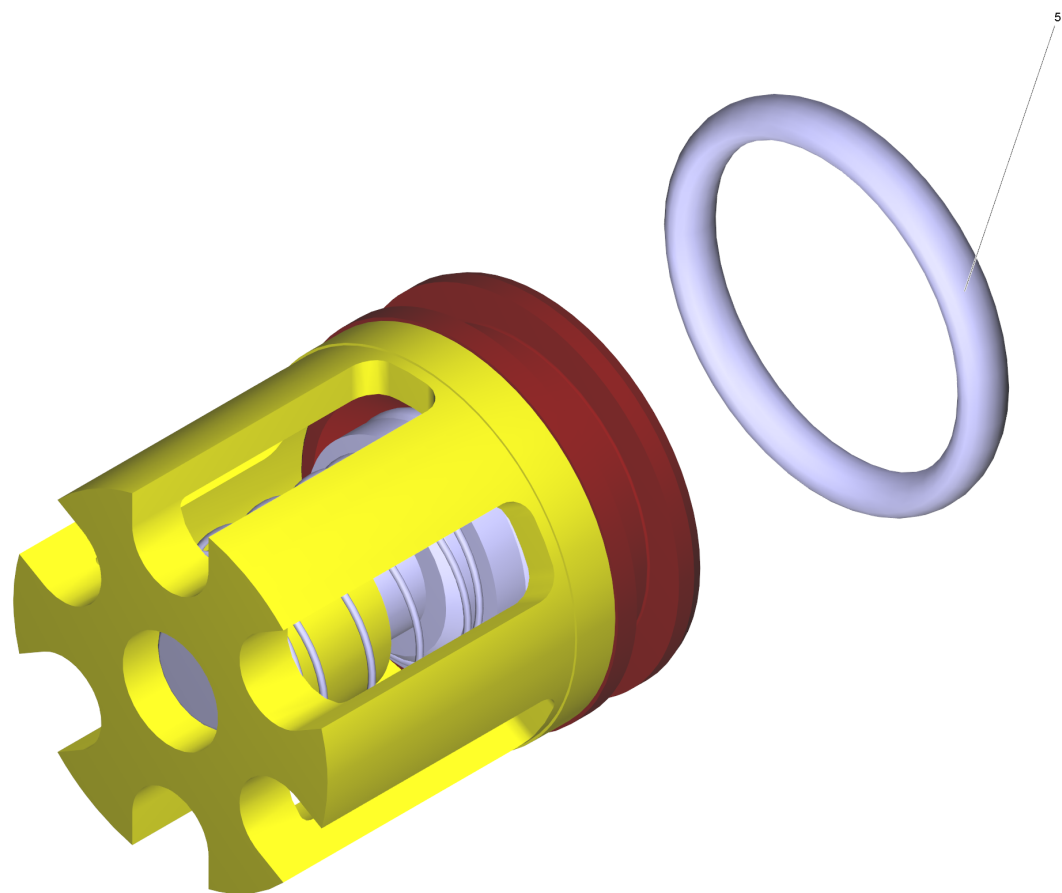


5 Valve (3 Stueck) (2.884-512.0)

---

<b>POS</b>	<b>Article no.</b>	<b>Description</b>	<b>Quantity</b>	<b>Unit</b>
5	6.363-003.0	O-Ring seal 13,0 X 2,0-NBR 90	1.000	ST

---



13 Valve complete (4.580-323.0)

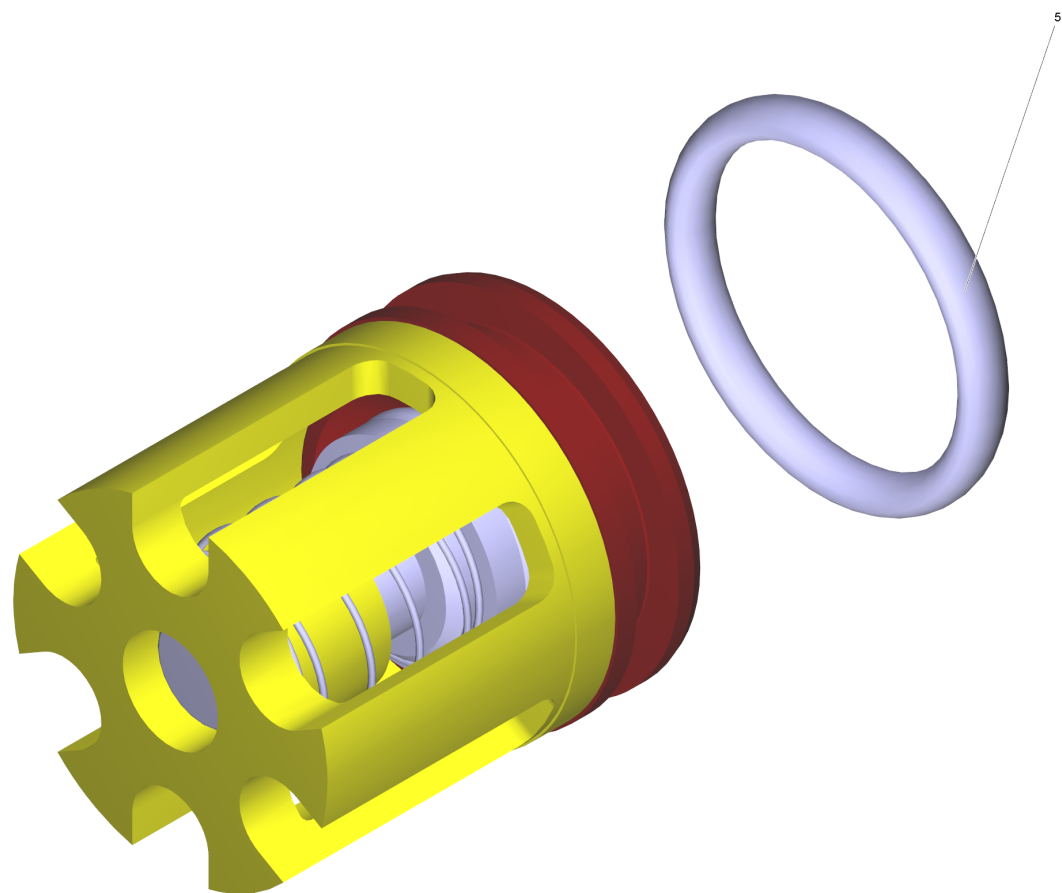
---

POS	Article no.	Description	Quantity	Unit
5	6.362-381.0	O-Ring seal 13x2 - NBR 70	1.000	ST

100 COMPLETE PUMP SET (2.883-816.0)

POS	Article no.	Description	Quantity	Unit
10	4.580-323.0	Valve complete	1.000	ST
20	2.884-512.0	Valve (3 Stueck)	2.000	ST
30	5.110-522.0	Sleeve	1.000	ST
40	5.115-492.0	Washer	3.000	ST
50	5.115-493.0	Washer	3.000	ST
60	5.332-258.0	Helical spring	1.000	ST
80	6.362-113.0	O-Ring seal 6,0 x 2,0 NBR 70	1.000	ST
90	6.363-597.0	O-Ring seal 5,28 x 1,78	1.000	ST
100	6.362-384.0	O-Ring seal 9x1,5 - NBR 70	3.000	ST
110	6.362-398.0	O-Ring seal 27,5 X 1,5-NBR 70	3.000	ST
120	6.362-450.0	O-Ring seal complete 2ST.-R.	1.000	ST
130	6.362-468.0	O-Ring seal complete 1ST.-R.	1.000	ST
140	6.362-481.0	O-Ring seal 14,0 x 2,0 NBR 80	6.000	ST
150	6.362-547.0	O-Ring seal 20,0x1,5-NBR 70	1.000	ST
160	6.362-587.0	O-Ring seal complete 2,9 -NBR 70	1.000	ST
170	6.362-658.0	O-Ring seal 7 X 1,5-NBR 90	1.000	ST
180	6.362-977.0	O-Ring seal complete 2ST.-R.	1.000	ST
190	6.362-989.0	O-Ring seal 18x2 - NBR 80	1.000	ST
200	6.365-351.0	Compact seal 16 x 24 x 4	3.000	ST
210	6.365-408.0	Grooved ring 16x24x5.3	3.000	ST
220	7.401-908.0	Sphere 7 G300 -1.4301 DIN 5401	1.000	ST

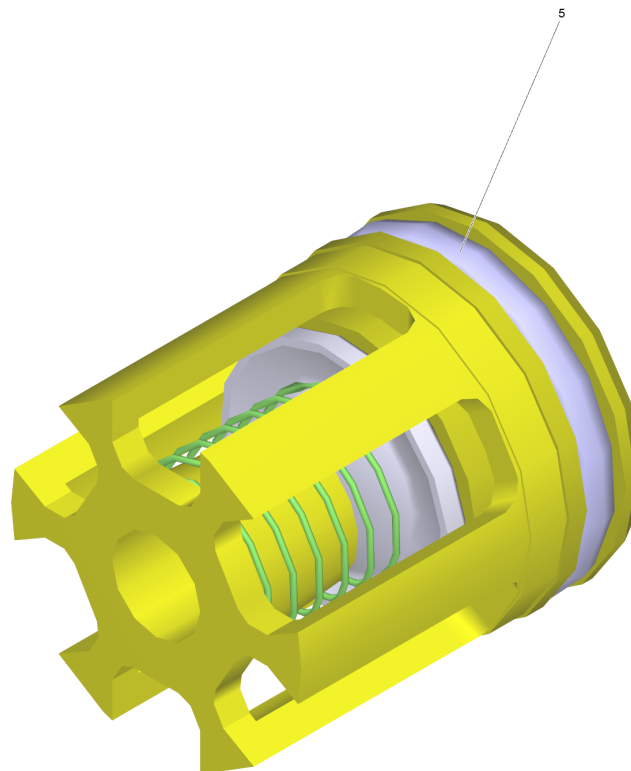




10 Valve complete (4.580-323.0)

---

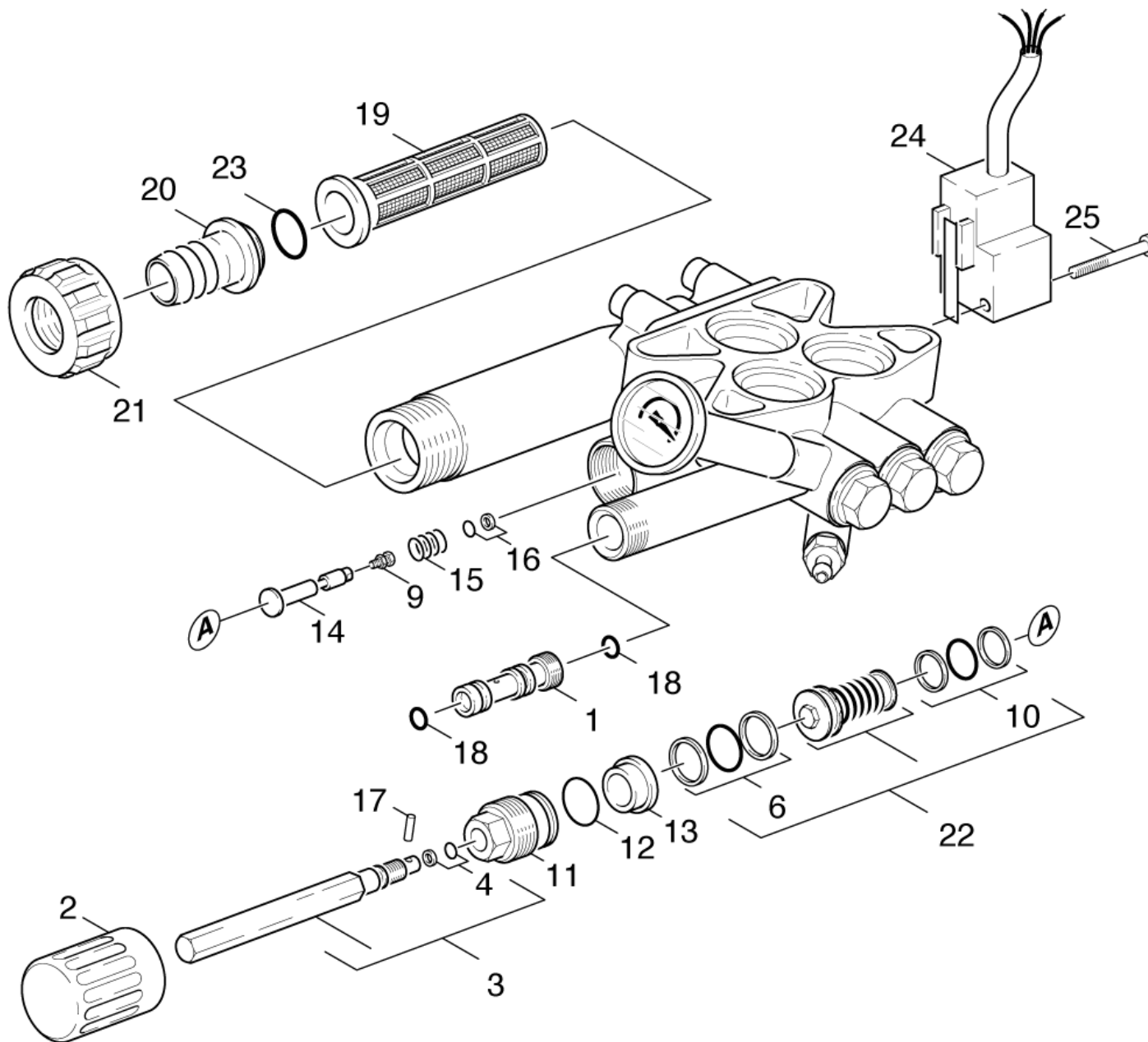
POS	Article no.	Description	Quantity	Unit
5	6.362-381.0	O-Ring seal 13x2 - NBR 70	1.000	ST



20 Valve (3 Stueck) (2.884-512.0)

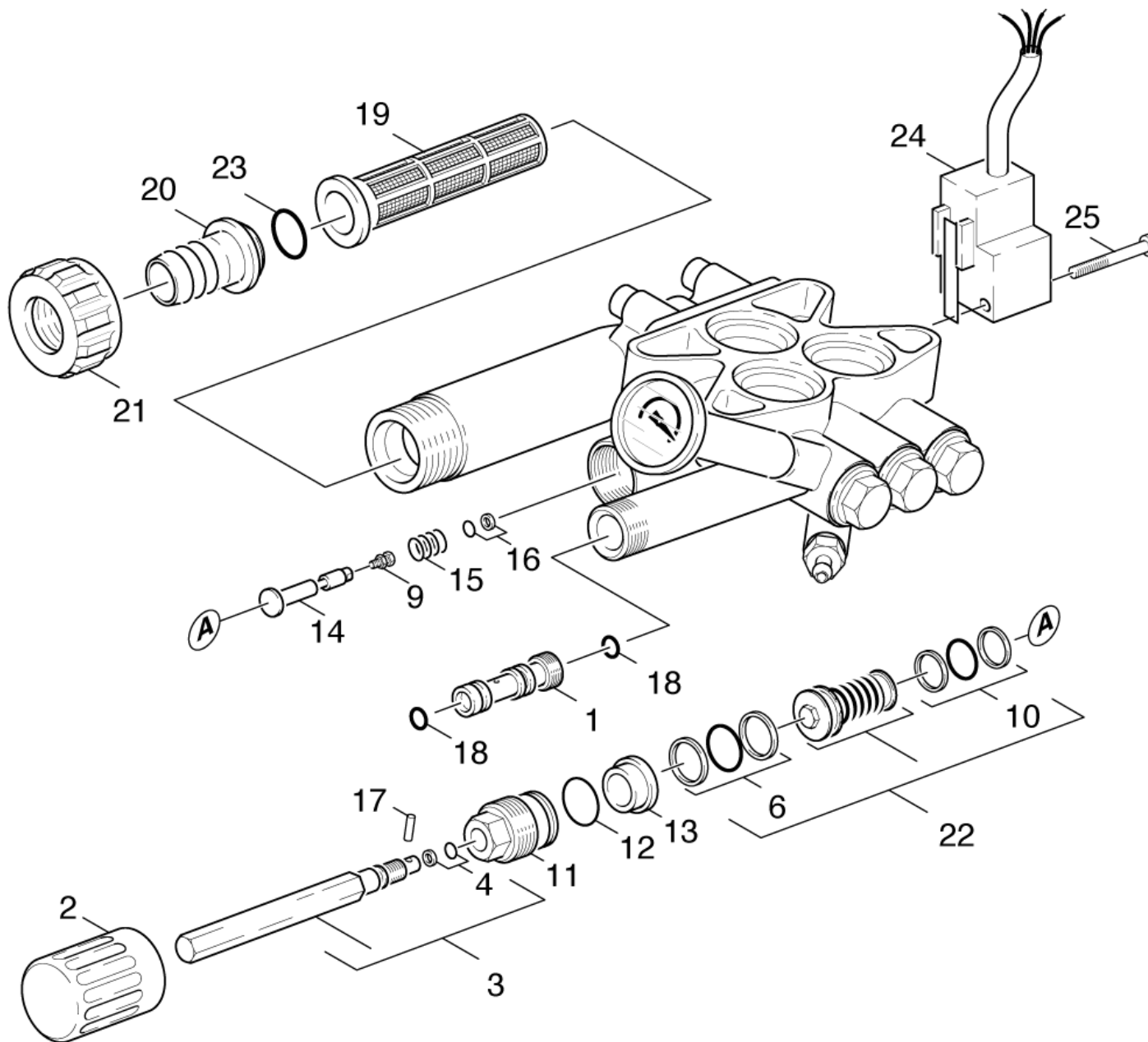
---

POS	Article no.	Description	Quantity	Unit
5	6.363-003.0	O-Ring seal 13,0 X 2,0-NBR 90	1.000	ST



## 22 Cylinder head

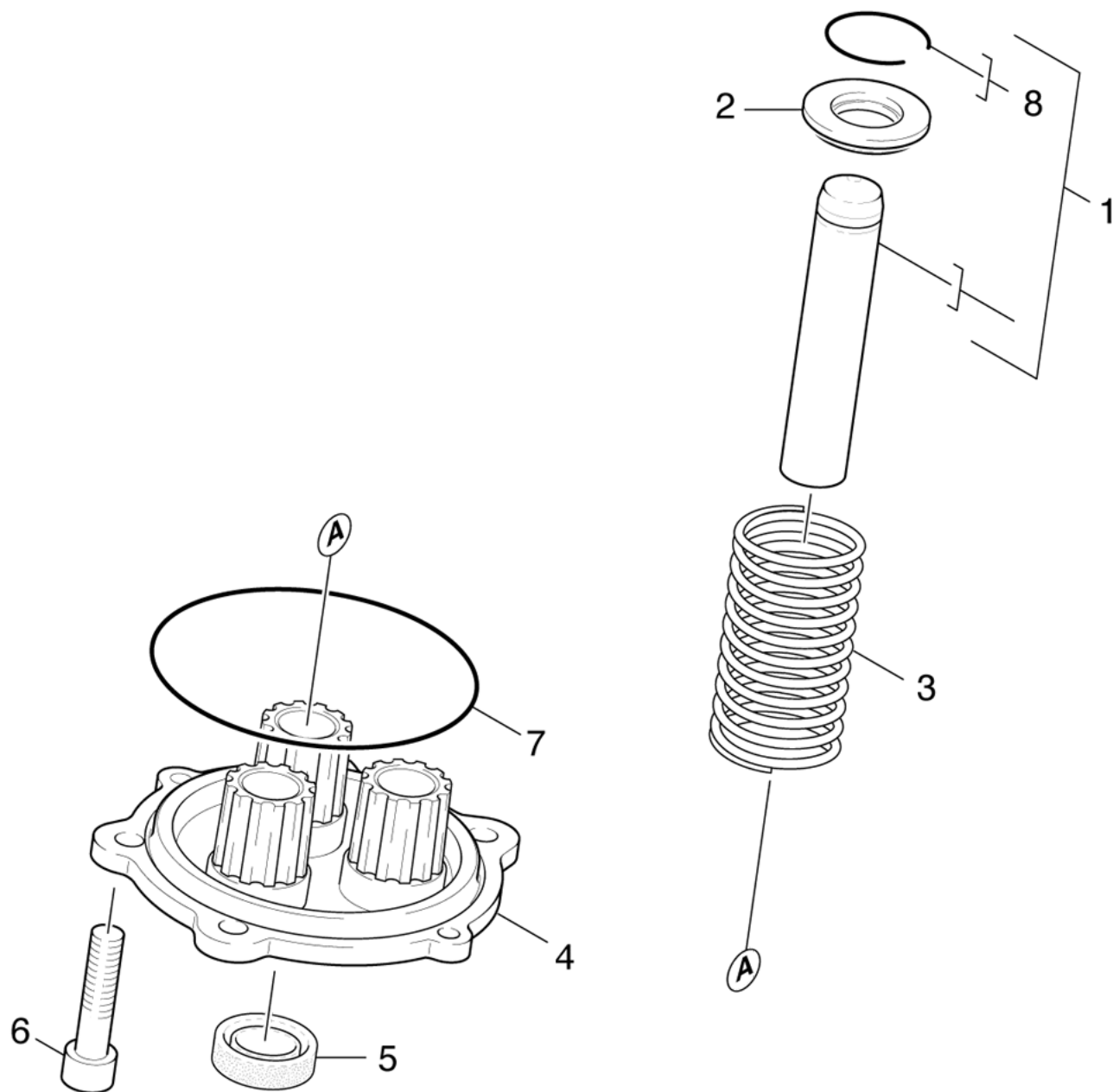
POS	Article no.	Description	Quantity	Unit	Remark
1	5.769-137.0	Nozzle insert D1.8/D2.3/L40	1.000	ST	
2	5.321-307.0	Handhold	1.000	ST	
3	4.291-012.0	Spindle complete	1.000	ST	
4	6.362-468.0	O-Ring seal complete 1ST.-R.	1.000	ST	
6	6.362-977.0	O-Ring seal complete 2ST.-R.	1.000	ST	
9	6.304-134.0	Screw with nut	1.000	ST	
10	6.362-450.0	O-Ring seal complete 2ST.-R.	1.000	ST	
11	5.583-147.0	Valve screw	1.000	ST	
12	6.362-989.0	O-Ring seal 18x2 - NBR 80	1.000	ST	
13	5.110-630.0	Sleeve	1.000	ST	
14	5.316-792.0	Bolt	1.000	ST	
15	5.332-461.0	Helical spring	1.000	ST	
16	6.362-587.0	O-Ring seal complete 2,9 -NBR 70	1.000	ST	
17	7.314-629.0	Grooved pin 2x10 -A1 ISO 8742	1.000	ST	
18	6.362-384.0	O-Ring seal 9x1,5 - NBR 70	2.000	ST	
19	5.731-581.0	Water filter	1.000	ST	
20	5.443-291.0	Hose stem	1.000	ST	
21	5.310-076.0	Nut	1.000	ST	
22	4.580-318.0	Excess-current complete only for replace	1.000	ST	
23	6.362-161.0	O-Ring seal 19,3 X 2,4	1.000	ST	
24	6.635-320.0	2-Phases-Switch	1.000	ST	ALT-OLD
25	7.306-320.0	Oval head screw M 5x40-A2-70 ISO 7045	1.000	ST	



## 23 Cylinder head

POS	Article no.	Description	Quantity	Unit
1	5.769-137.0	Nozzle insert D1.8/D2.3/L40	1.000	ST
2	5.321-307.0	Handhold	1.000	ST
3	4.291-012.0	Spindle complete	1.000	ST
4	6.362-468.0	O-Ring seal complete 1ST.-R.	1.000	ST
6	6.362-977.0	O-Ring seal complete 2ST.-R.	1.000	ST
9	6.304-134.0	Screw with nut	1.000	ST
10	6.362-450.0	O-Ring seal complete 2ST.-R.	1.000	ST
11	5.583-147.0	Valve screw	1.000	ST
12	6.362-989.0	O-Ring seal 18x2 - NBR 80	1.000	ST
13	5.110-630.0	Sleeve	1.000	ST
14	5.316-792.0	Bolt	1.000	ST
15	5.332-461.0	Helical spring	1.000	ST
16	6.362-587.0	O-Ring seal complete 2,9 -NBR 70	1.000	ST
17	7.314-629.0	Grooved pin 2x10 -A1 ISO 8742	1.000	ST
18	6.362-384.0	O-Ring seal 9x1,5 - NBR 70	2.000	ST
19	5.731-581.0	Water filter	1.000	ST
20	5.443-291.0	Hose stem	1.000	ST
21	5.310-076.0	Nut	1.000	ST
22	4.580-318.0	Excess-current complete only for replace	1.000	ST
23	6.362-161.0	O-Ring seal 19,3 X 2,4	1.000	ST
24	6.635-323.0	2-Phases-Switch	1.000	ST
25	7.306-320.0	Oval head screw M 5x40-A2-70 ISO 7045	1.000	ST

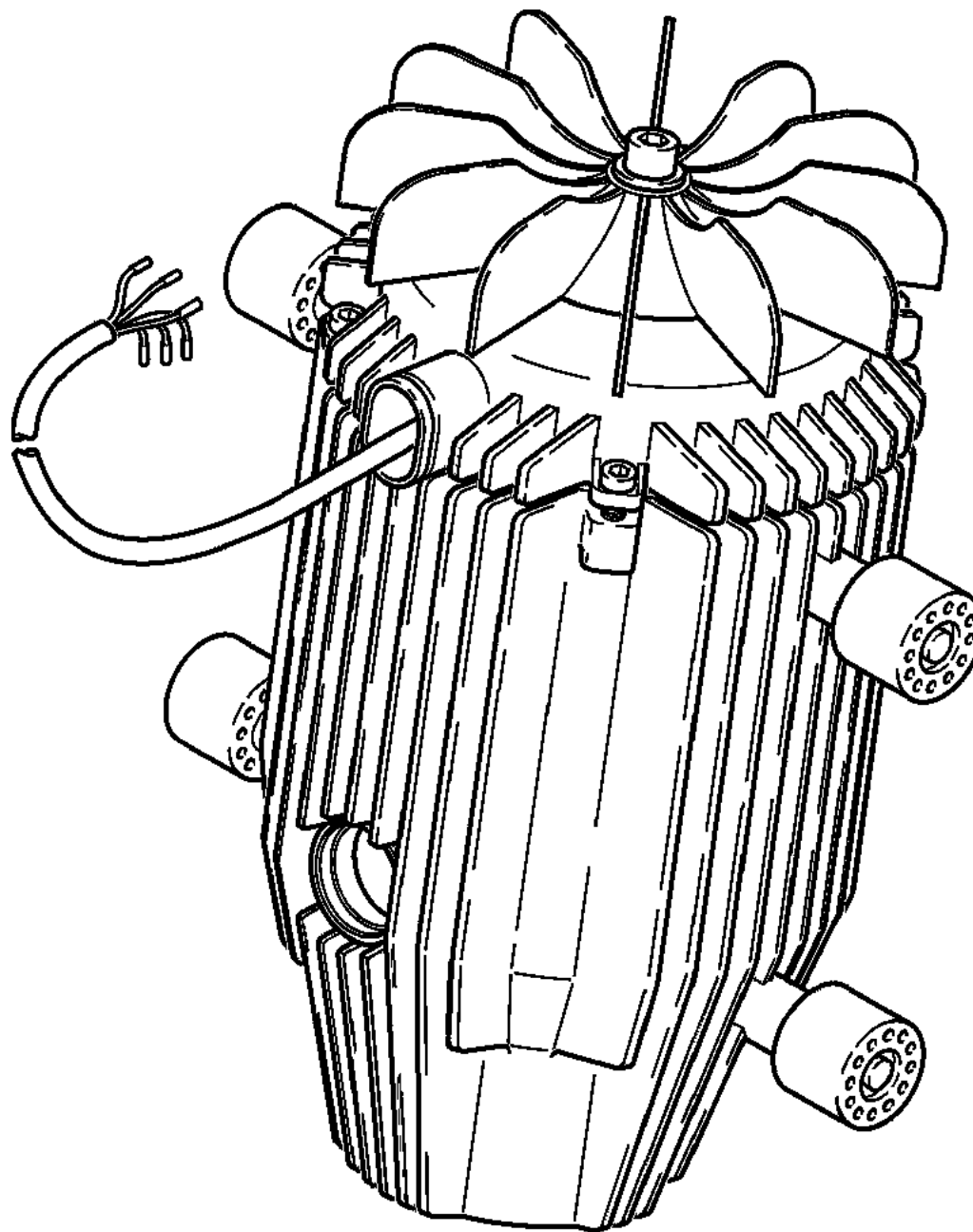




## 24 Piston

---

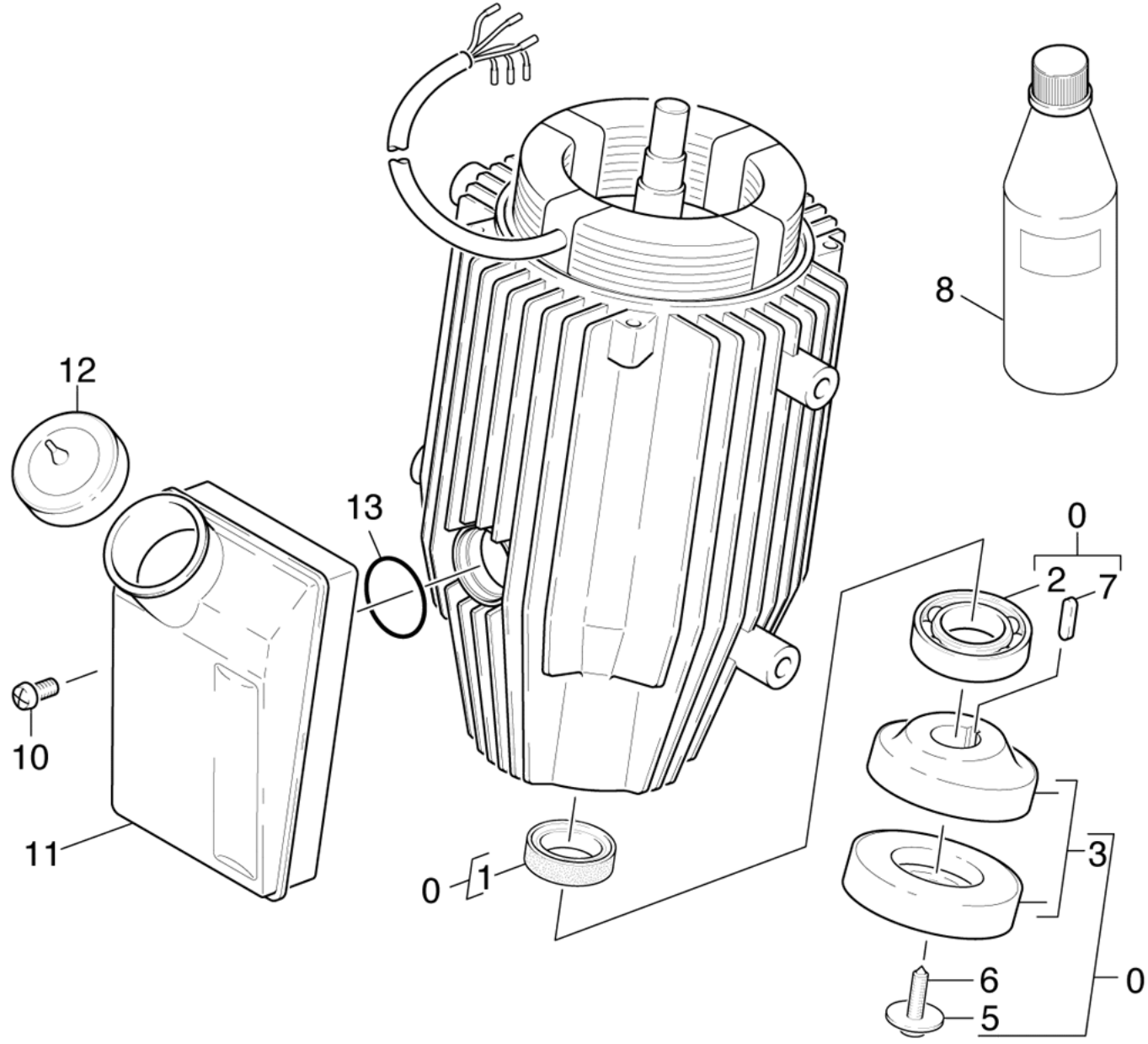
<b>POS</b>	<b>Article no.</b>	<b>Description</b>	<b>Quantity</b>	<b>Unit</b>
1	4.553-167.0	Piston complete	3.000	ST
2	5.115-689.0	Washer	3.000	ST
3	5.332-403.0	Helical spring	3.000	ST
4	5.060-676.0	Housing	1.000	ST
5	6.365-322.0	Grooved ring 16X24X7	3.000	ST
6	7.306-105.0	Screw M6x30 -8.8-R3R (In6Rd)	2.000	ST
7	6.362-963.0	O-Ring seal 88,57X 2,62	1.000	ST
8	7.343-478.0	Snap ring 16 -FST DIN 9925	3.000	ST



## 30 Motor

---

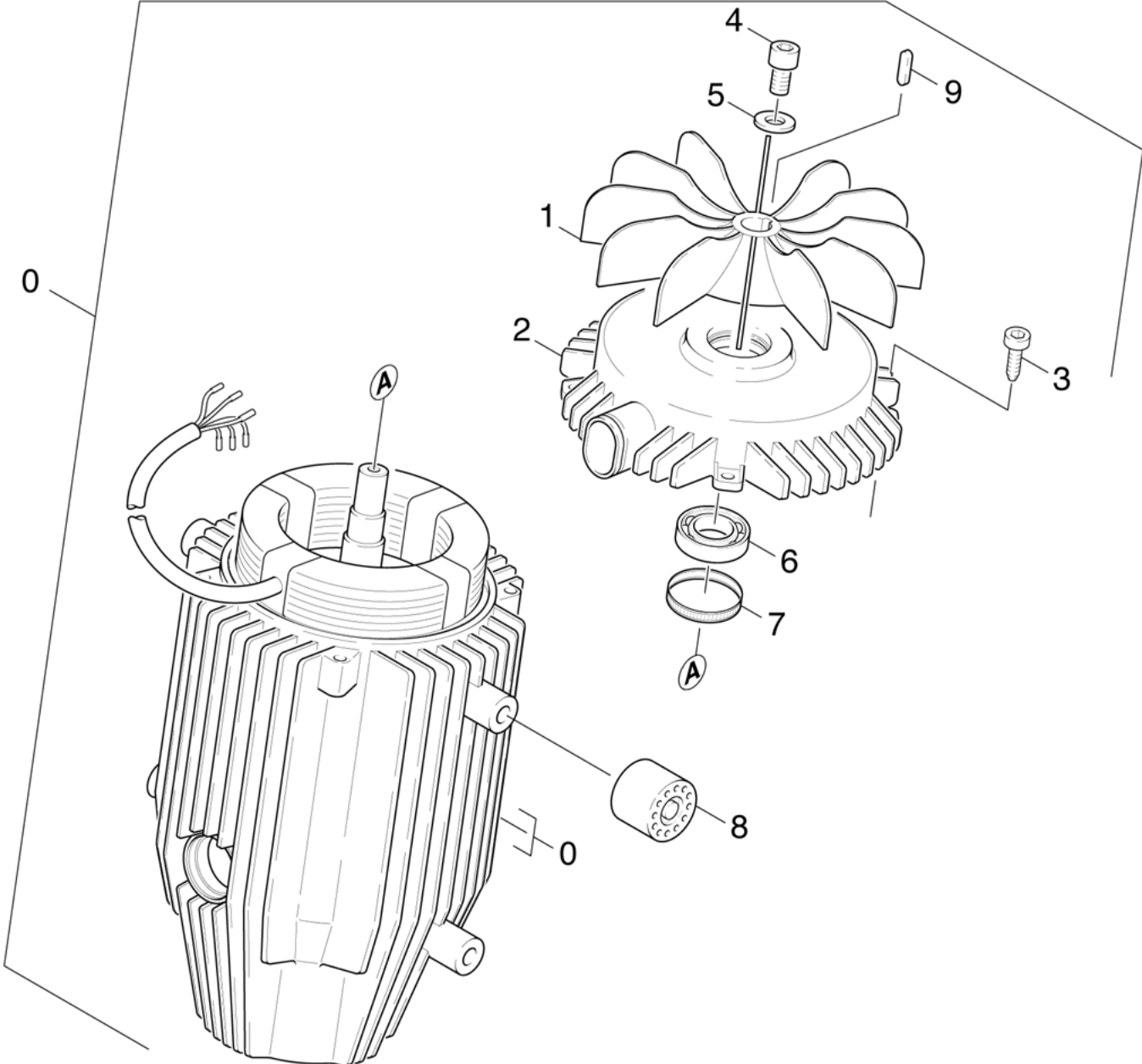
<b>POS</b>	<b>Description</b>	<b>Quantity</b>	<b>Unit</b>
31	Transmission	1.000	ST
32	Ventilation	1.000	ST



## 31 Transmission

---

POS	Article no.	Description	Quantity	Unit
1	7.367-156.0	Radial shaft seal ring A30x40x7-NBR DIN	1.000	ST
2	7.401-032.0	Ball bearing 7305-B-WAELZLAGST DIN 628	1.000	ST
3	4.120-171.0	Wobble plate complete only for replaceme	1.000	ST
5	7.312-260.0	Washer 6 -100HV-A3E ISO 7094	1.000	ST
6	7.306-092.0	Screw M6x20-ST- 8.8-R3R (IN6RD)	1.000	ST
7	7.318-070.0	Parallel key 5x5x20-C45K DIN 6885-1	1.000	ST
8	6.288-016.0	Gear oil 1L	1.000	ST
10	7.303-038.0	Screw M5x12 -St-P2R (In6Rd)	1.000	ST
11	5.070-461.0	Tank oil	1.000	ST
12	5.064-457.0	cover plate qusty grey oil	1.000	ST
13	6.362-526.0	O-Ring seal 29,1 X 2,55 -NBR 70	1.000	ST



## 32 Ventilation

---

<b>POS</b>	<b>Article no.</b>	<b>Description</b>	<b>Quantity</b>	<b>Unit</b>
0	4.623-327.0	Motor complete cylindrical	1.000	ST
1	5.600-046.0	Blower wheel	1.000	ST
2	5.063-707.0	Bearing cover B	1.000	ST
3	7.303-048.0	Screw M6x20 -St-R3R (In6Rd)	4.000	ST
4	7.306-022.0	Cylinder head screw M 6x20-8.8-A2E ISO47	1.000	ST
5	7.312-260.0	Washer 6 -100HV-A3E ISO 7094	1.000	ST
6	6.401-285.0	Ball bearing 6204 2RS	1.000	ST
7	6.343-171.0	Tolerance ring	1.000	ST
8	5.767-005.0	Rubber buffer	4.000	ST
9	7.318-079.0	Parallel key A 5x5x25-C45K DIN 6885	1.000	ST



## 40 Accessories

---

<b>POS</b>	<b>Description</b>	<b>Quantity</b>	<b>Unit</b>	<b>Remark</b>
41	Hand trigger gun	1.000	ST	VERSION 1
42	Hand trigger gun	1.000	ST	VERSION 2
43	Hand trigger gun	1.000	ST	VERSION 1
44	Hand trigger gun	1.000	ST	VERSION 2
45	Jet pipe	1.000	ST	VERSION 1
46	Jet pipe	1.000	ST	VERSION 2
47	Jet pipe	1.000	ST	VERSION 3
48	Nozzle	1.000	ST	VERSION 1
49	Nozzle	1.000	ST	VERSION 2



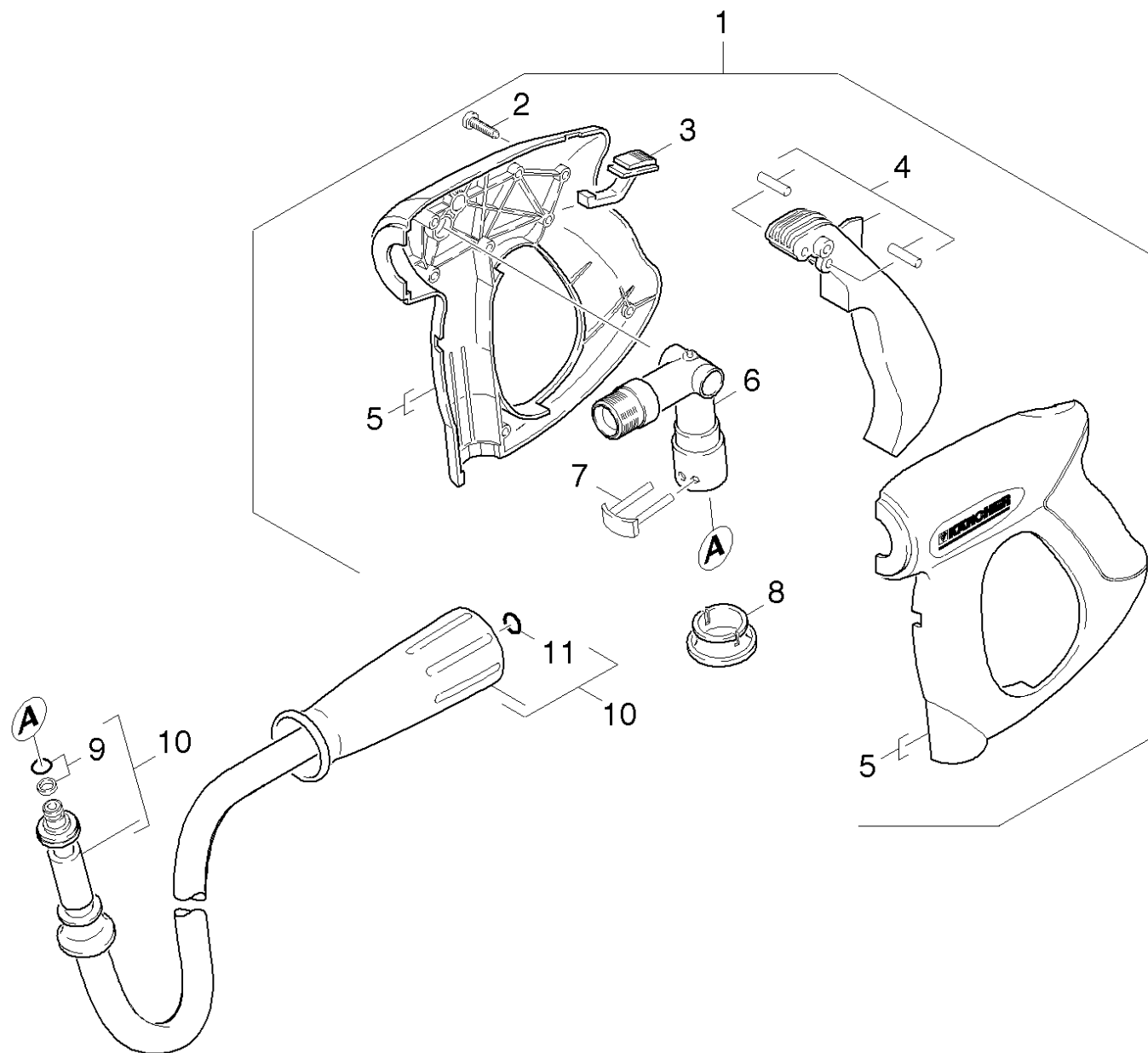
## 41 Hand trigger gun

POS	Article no.	Description	Quantity	Unit
0	7.777-999.0	Stockpiling discontinued	1.000	ST
1	5.321-494.0	Handhold few	1.000	ST
2	7.303-096.0	Screw 4x22 -ST-10.9-R2R (IN6RD)	8.000	ST
3	5.322-011.0	Hand wheel	1.000	ST
4	6.362-642.0	O-Ring d. 7,65x1,78 -NBR 80	1.000	ST
5	5.481-178.0	Lever	1.000	ST
7	5.553-347.0	Piston	1.000	ST
10	5.332-384.0	Helical spring	1.000	ST
11	5.115-675.0	Washer	1.000	ST
12	5.427-210.0	Manifold	1.000	ST
13	6.362-477.0	O-Ring seal complete 1ST.-R.	1.000	ST
14	5.316-400.0	Bolt	1.000	ST
15	5.110-596.0	Sleeve	1.000	ST
16	4.037-013.0	Hook	1.000	ST
17	5.115-661.0	Washer	1.000	ST
18	6.389-853.0	HIGH PRESSURE HOSE DN6 25MPa 10m	1.000	ST
19	2.880-990.0	Spare part set O-Ring 5x -Kaercher	1.000	ST
20	6.363-115.0	O-Ring seal complete 1ST.-R.	1.000	ST
100	2.883-903.0	Spare part set	1.000	ST

## 100 Spare part set (2.883-903.0)

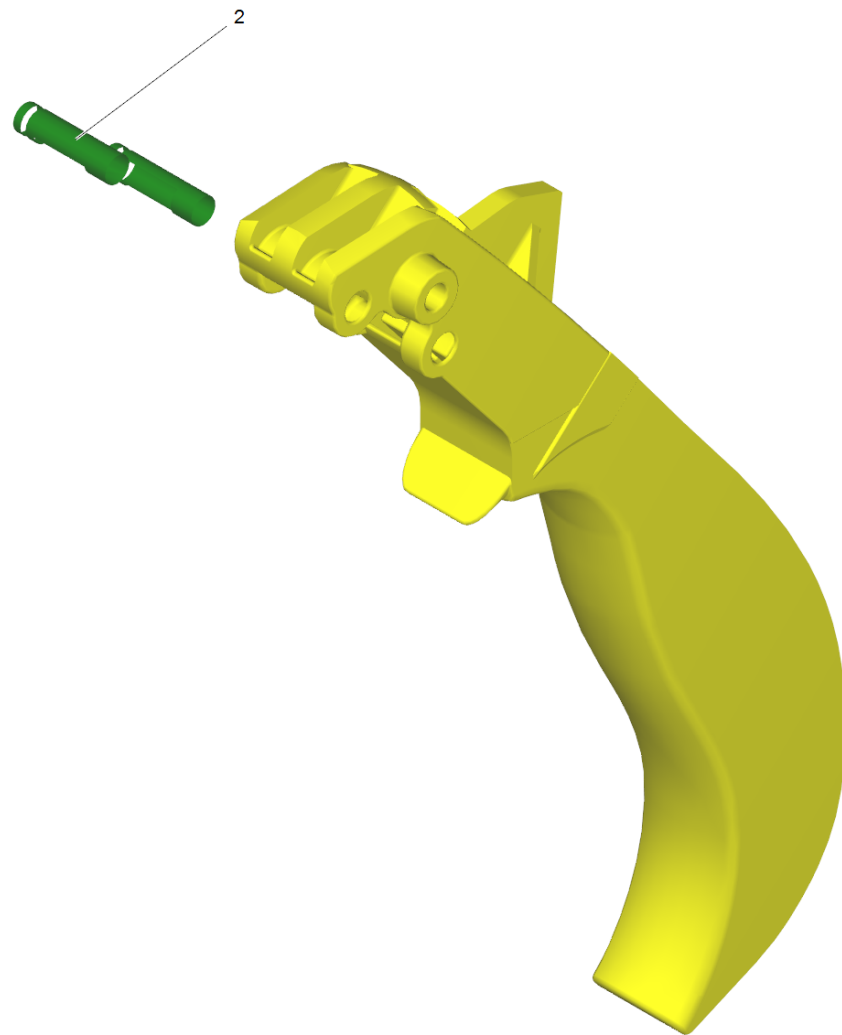
---

<b>POS</b>	<b>Article no.</b>	<b>Description</b>	<b>Quantity</b>	<b>Unit</b>
10	5.404-068.0	Hollow screw	1.000	ST
20	5.581-211.0	Valve seat	1.000	ST
30	6.362-642.0	O-Ring d. 7,65x1,78 -NBR 80	1.000	ST
40	6.590-004.0	Bag PE 80x100 mm	1.000	ST



## 42 Hand trigger gun

POS	Article no.	Description	Quantity	Unit
1	4.775-557.0	Hand trigger gun nipple 10 n.f.Ersatz	1.000	ST
	<b>Item text1:</b> 1.086-111.0 / -281.0 / -291.0 / -911.0 /			
2	7.303-096.0	Screw 4x22 -ST-10.9-R2R (IN6RD)	7.000	ST
3	5.481-331.0	Slider	1.000	ST
4	4.481-209.0	Lever complete	1.000	ST
5	5.321-669.3	Handhold few	1.000	ST
6	4.427-319.0	Manifold complete only for replacement	1.000	ST
7	4.037-013.0	Hook	1.000	ST
8	5.110-596.0	Sleeve	1.000	ST
9	4.363-691.0	O-Ring seal kpl. -nur fuer Ersatz-	1.000	ST
10	6.389-853.0	HIGH PRESSURE HOSE DN6 25MPa 10m	1.000	ST
	<b>Item text1:</b> 1.086-111.0 / -281.0 / -291.0 / -911.0 /			
11	2.880-990.0	Spare part set O-Ring 5x -Kaercher	1.000	ST

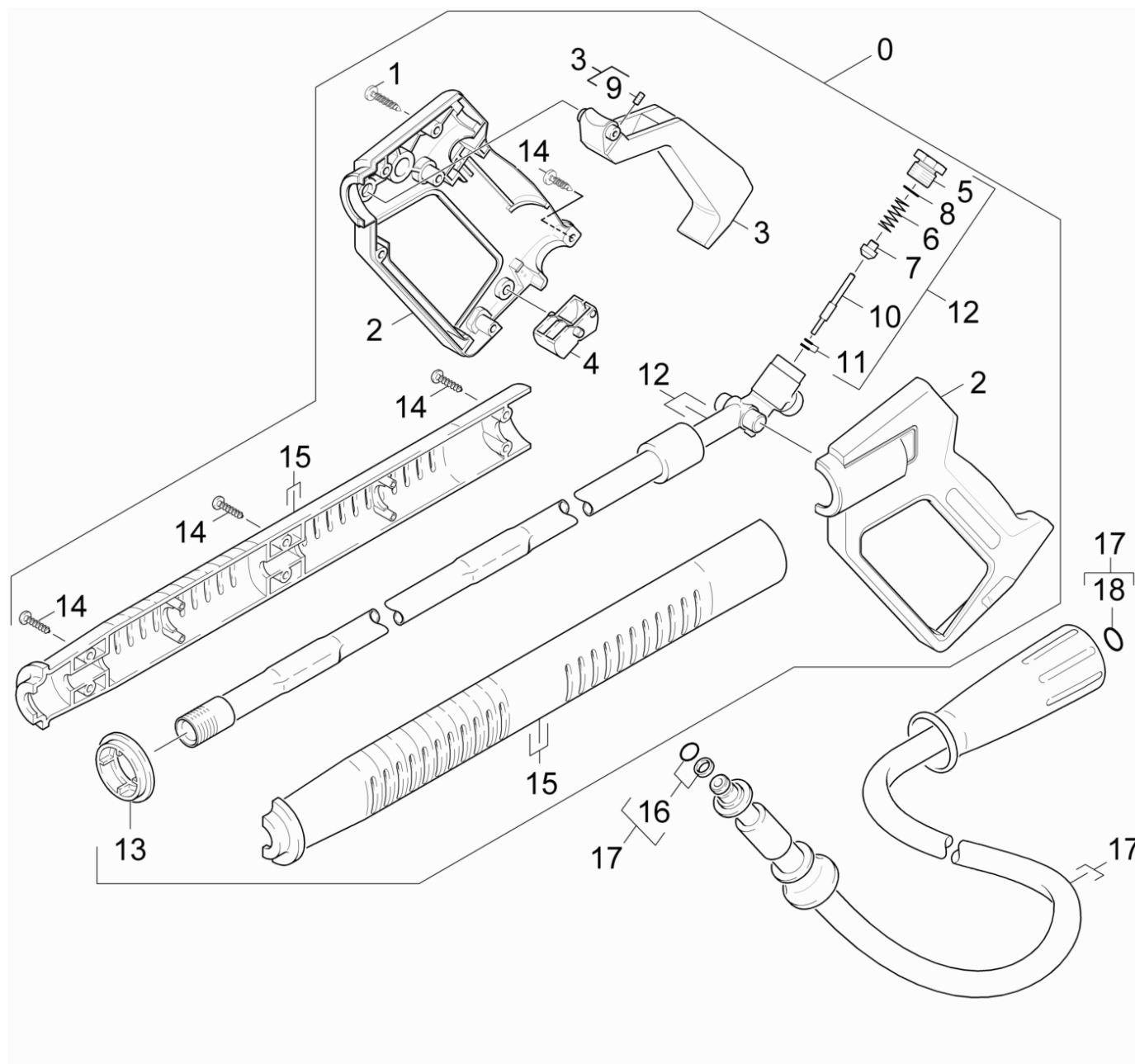


4 Lever complete (4.481-209.0)

---

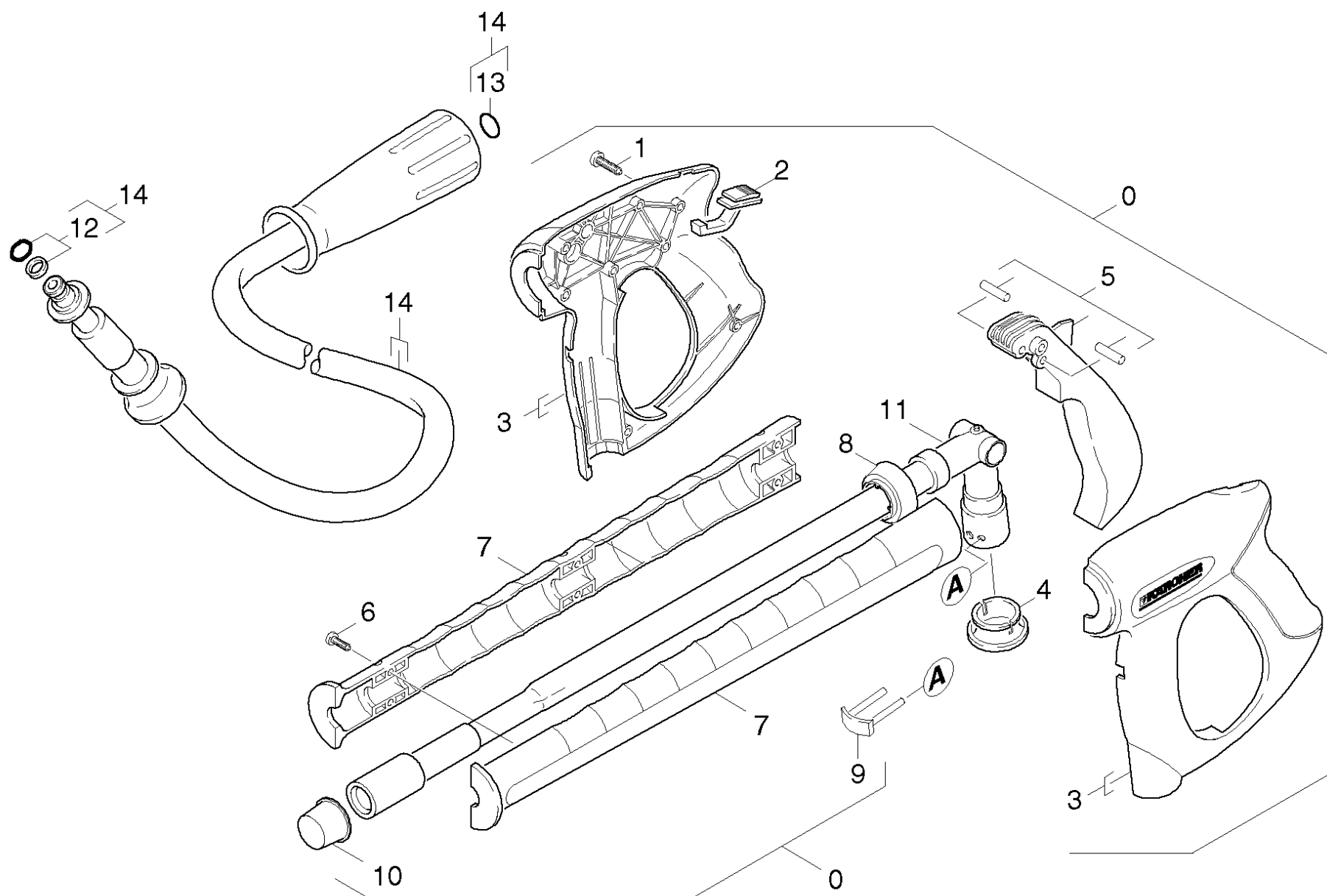
POS	Article no.	Description	Quantity	Unit
2	5.314-119.0	Pin	2.000	ST





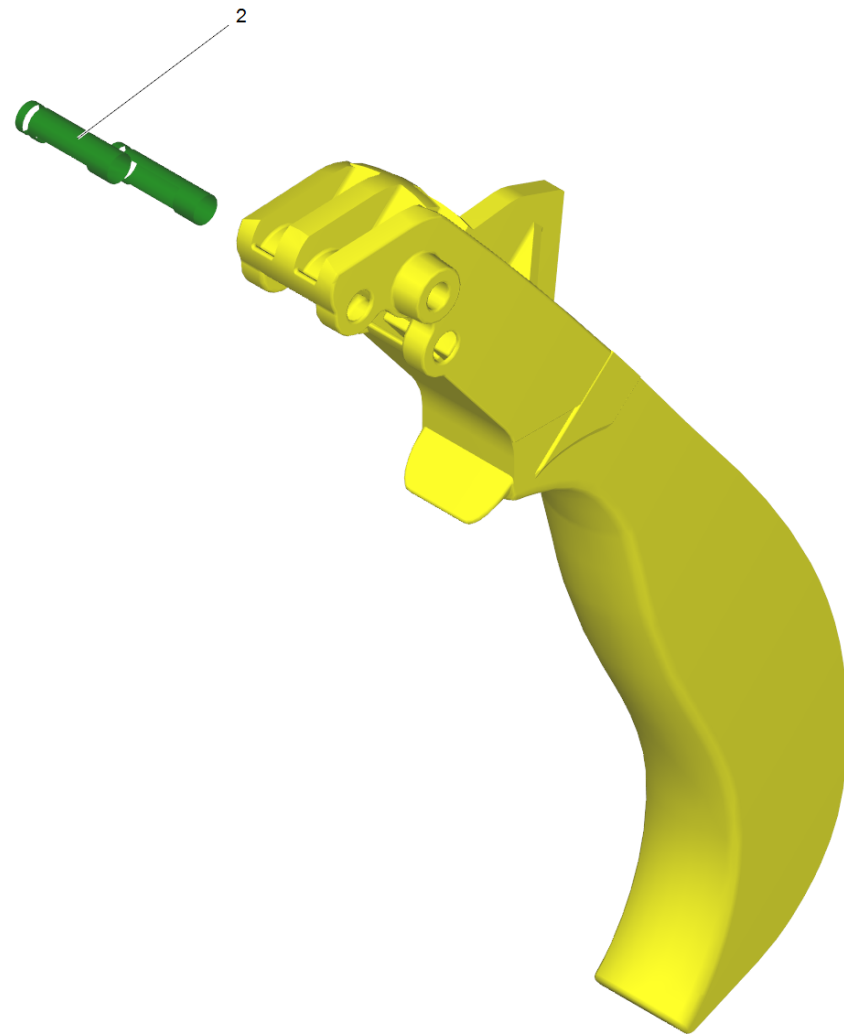
## 43 Hand trigger gun

POS	Article no.	Description	Quantity	Unit
0	7.777-999.0	Stockpiling discontinued	1.000	ST
1	7.303-096.0	Screw 4x22 -ST-10.9-R2R (IN6RD)	1.000	ST
2	5.321-206.0	Handhold few	1.000	ST
3	4.481-050.0	Lever	1.000	ST
4	5.481-052.0	Lever	1.000	ST
5	5.411-067.0	Screw plug	1.000	ST
6	5.332-157.0	Helical spring	1.000	ST
7	5.582-058.0	Valve disc	1.000	ST
8	6.362-584.0	O-Ring seal 12,42X 1,78	1.000	ST
9	7.307-417.0	Threaded pin M8x16 -45H-A2E ISO 4026	1.000	ST
10	5.107-259.0	Bar	1.000	ST
11	6.362-571.0	O-Ring seal complete /1ST.-R	1.000	ST
12	4.427-179.0	Manifold	1.000	ST
13	5.031-259.0	Moulded part	1.000	ST
14	6.303-025.0	Oval head screw 4,2x16-St-vz	7.000	ST
15	5.322-083.0	Handhold few extended Low End	1.000	ST
16	6.363-115.0	O-Ring seal complete 1ST.-R.	1.000	ST
17	6.389-853.0	HIGH PRESSURE HOSE DN6 25MPa 10m	1.000	ST
	<b>Item text1:</b> / 1.086-781.0			
18	2.880-990.0	Spare part set O-Ring 5x -Kaercher	1.000	ST



#### 44 Hand trigger gun

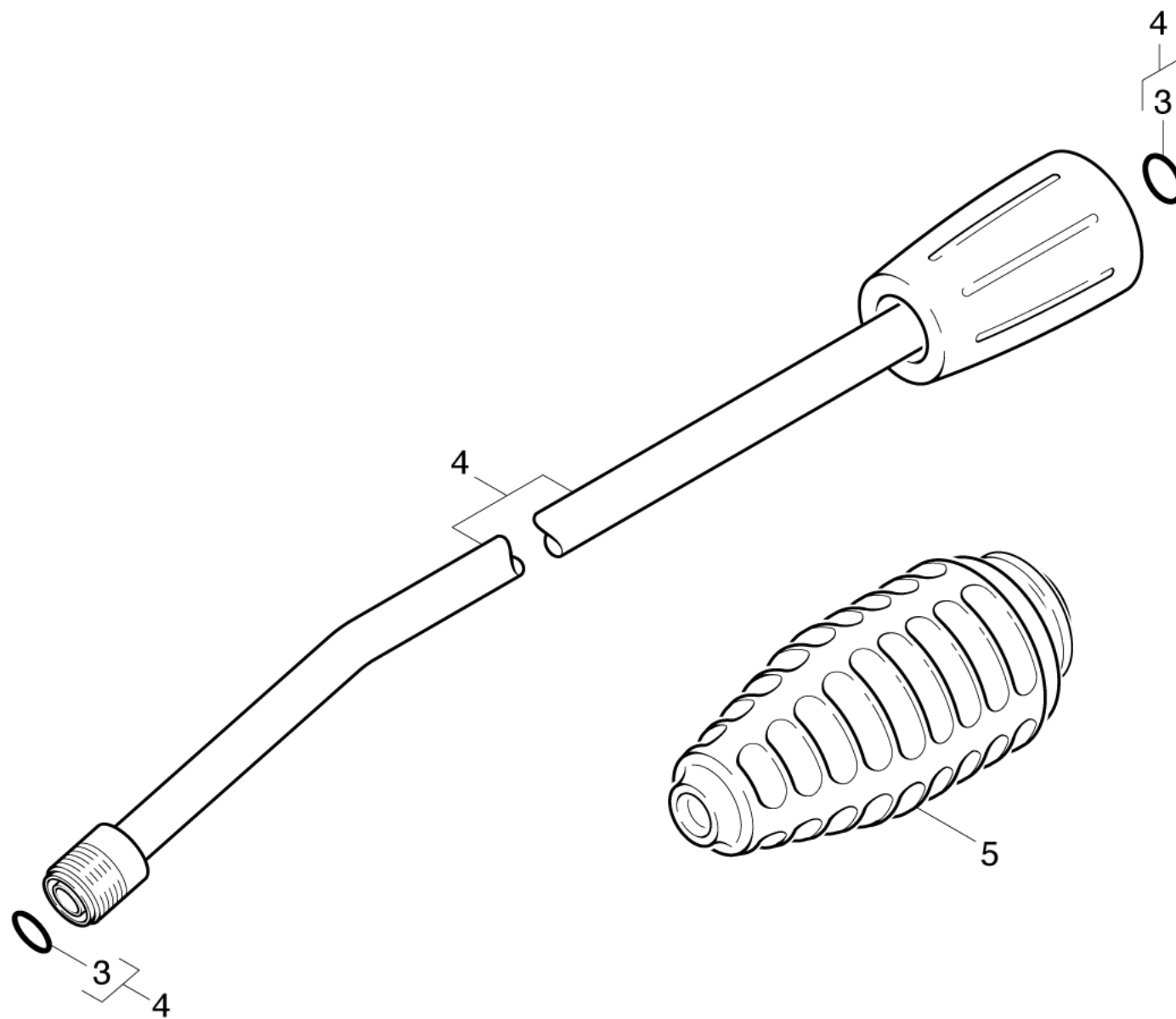
POS	Article no.	Description	Quantity	Unit
0	4.775-554.0	Hand trigger gun Low End Nippel 10	1.000	ST
1	7.303-096.0	Screw 4x22 -ST-10.9-R2R (IN6RD)	7.000	ST
2	5.481-331.0	Slider	1.000	ST
3	5.322-082.0	Handhold few hand trigger gun Low End	1.000	ST
4	5.110-596.0	Sleeve	1.000	ST
5	4.481-209.0	Lever complete	1.000	ST
6	7.303-129.0	Screw 4x16 -10.9-R2R (K-In6Rd)	6.000	ST
7	5.322-083.0	Handhold few extended Low End	1.000	ST
8	5.032-801.0	Moulded part	1.000	ST
9	4.037-013.0	Hook	1.000	ST
10	6.368-012.0	Protecting cap 22X1,5	1.000	ST
11	4.427-004.0	Manifold complete for replacement LowEnd	1.000	ST
12	6.363-115.0	O-Ring seal complete 1ST.-R.	1.000	ST
13	2.880-990.0	Spare part set O-Ring 5x -Kaercher	1.000	ST
14	6.389-853.0	HIGH PRESSURE HOSE DN6 25MPa 10m	1.000	ST



5 Lever complete (4.481-209.0)

---

<b>POS</b>	<b>Article no.</b>	<b>Description</b>	<b>Quantity</b>	<b>Unit</b>
2	5.314-119.0	Pin	2.000	ST



## 45 Jet pipe

---

POS	Article no.	Description	Quantity	Unit
3	2.880-990.0	Spare part set O-Ring 5x -Kaercher	1.000	ST
4	4.760-665.0	Jet pipe packaged only for replacement	1.000	ST
	<b>Item text1:</b> / 1.086-781.0			
5	4.763-253.0	Dirt blaster 05	1.000	ST
	<b>Item text1:</b> / 1.086-281.0 / -911.0			



5 Dirt blaster 05 (4.763-253.0)

---

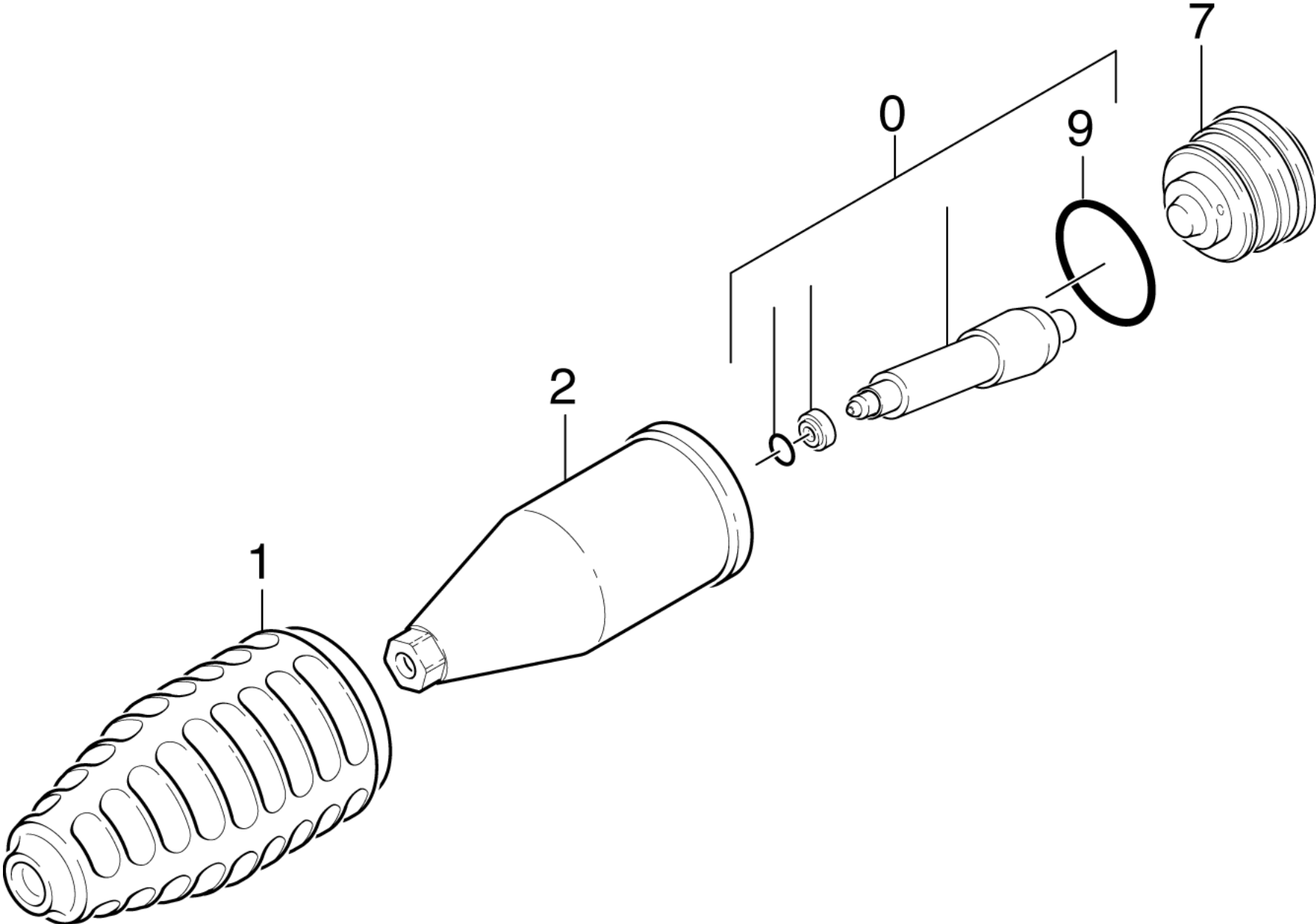
POS	Article no.	Description	Quantity	Unit
11	5.955-641.0	Spare parts list dirt blaster	1.000	ST

11 Spare parts list dirt blaster (5.955-641.0)

---

<b>POS</b>	<b>Description</b>	<b>Quantity</b>	<b>Unit</b>
10	Dirt blaster	1.000	ST

---



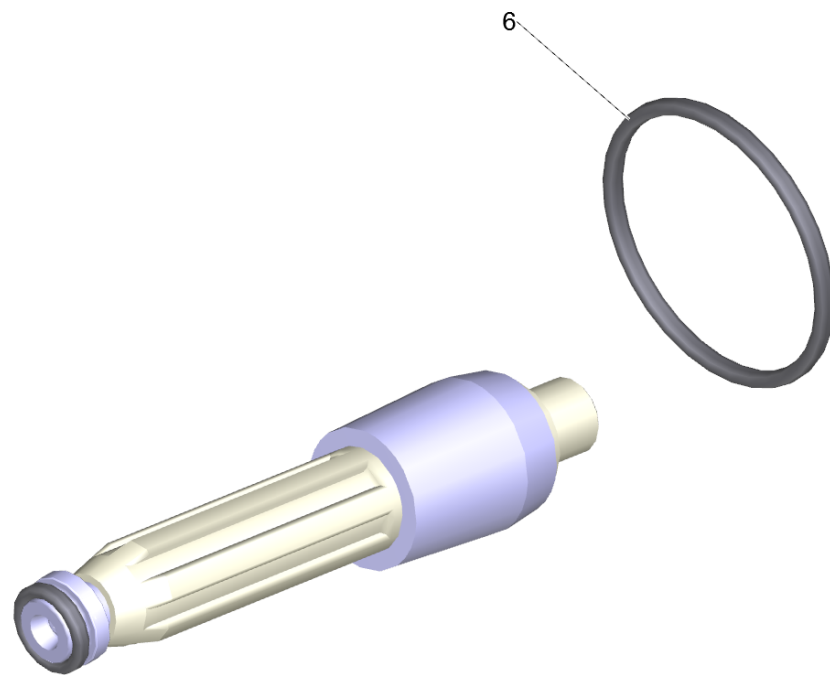
## 10 Dirt blaster

POS	Article no.	Description	Quantity	Unit	Remark
0	2.884-113.0	Spare part set dirt blaster 045	1.000	ST	4.763-988.0
		<b>Item text1:</b> / 4.763-988.0			
0	2.884-052.0	Spare part set dirt blaster 035	1.000	ST	4.763-931.0
		<b>Item text1:</b> / 4.763-931.0			
0	2.884-114.0	Spare part set dirt blaster 065	1.000	ST	4.763-989.0
		<b>Item text1:</b> / 4.763-989.0			
0	2.884-316.0	Spare part set dirt blaster 09	1.000	ST	
		<b>Item text1:</b> / 4.767-076.0			
0	2.881-025.0	Spare part set rotor 170	1.000	ST	4.764-201.0
0	2.884-051.0	Spare part set dirt blaster 120	1.000	ST	4.763-930.0
		<b>Item text1:</b> / 4.763-930.0			
0	2.885-196.0	Spare parts set rotor 100	1.000	ST	4.764-208.0
0		Spare part set rotor 125	1.000	ST	4.764-204.0
0	2.883-471.0	Spare part set dirt blaster 04-HD 1050	1.000	ST	4.763-252.0
		<b>Item text1:</b> / 4.763-252.0			
0	2.883-472.0	Spare part set dirt blaster 05	1.000	ST	4.763-253.0
		<b>Item text1:</b> / 4.763-253.0			
0	2.883-473.0	Spare part set dirt blaster 055/06	1.000	ST	4.763-250.0
		<b>Item text1:</b> / 4.763-250.0			
0	2.883-474.0	Spare part set dirt blaster 07/08-HDS 8	1.000	ST	4.763-254.0
		<b>Item text1:</b> / 4.763-254.0			
1	5.394-375.0	Protection part	1.000	ST	
2	5.060-500.3	Housing	1.000	ST	
7	5.063-709.0	Cover	1.000	ST	
		<b>Item text1:</b> / 4.763-931.0			
7	5.064-357.0	Cover high-pressure 25/15-4	1.000	ST	4.764-201.0 / 4.764-208.0
7		Cover high-pressure 20/15	1.000	ST	4.764-204.0
7	5.063-708.0	Cover	1.000	ST	
		<b>Item text1:</b> / 4.763-930.0			
7	5.063-618.0	Cover DGR F 055/F 06	1.000	ST	4.763-250/-938
		<b>Item text1:</b> / 4.763-250.0			
7	5.063-626.0	Cover DGR F 04	1.000	ST	4.763-252/-936
		<b>Item text1:</b> / 4.763-252.0			

## 10 Dirt blaster

---

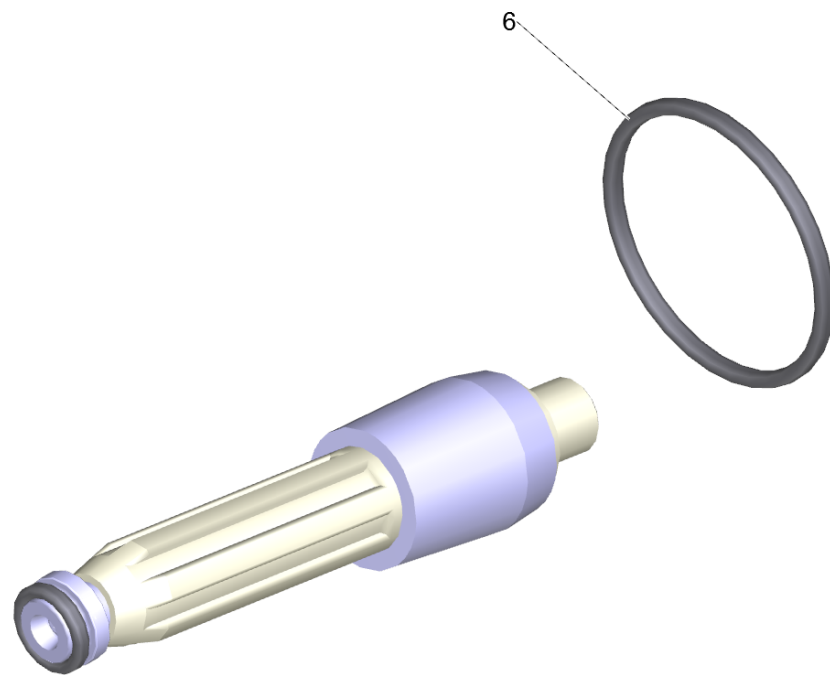
POS	Article no.	Description	Quantity	Unit	Remark
7	5.063-647.0	Cover DGR F 05	1.000	ST	
	<b>Item text1:</b> / 4.763-253.0				
7	5.063-648.0	Cover DGR F 70/F 08	1.000	ST	
	<b>Item text1:</b> / 4.763-254.0 / 4.767-076.0				
9	6.362-463.0	O-Ring seal 28,0 X 2,0-NBR 78	1.000	ST	



Spare part set rotor 170 (2.881-025.0)

---

POS	Article no.	Description	Quantity	Unit
6	6.362-463.0	O-Ring seal 28,0 X 2,0-NBR 78	1.000	ST

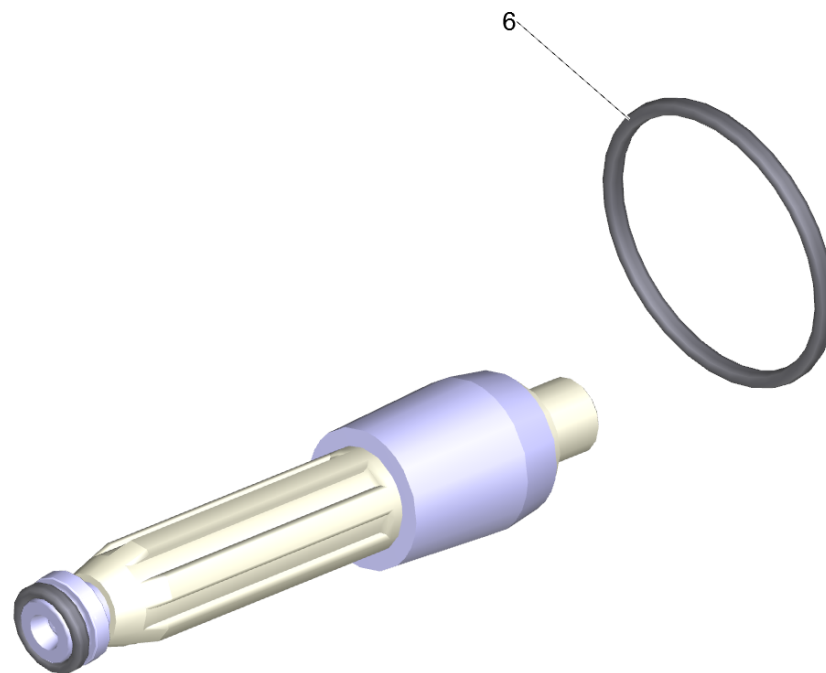




Spare part set dirt blaster 04-HD 1050 (2.883-471.0)

---

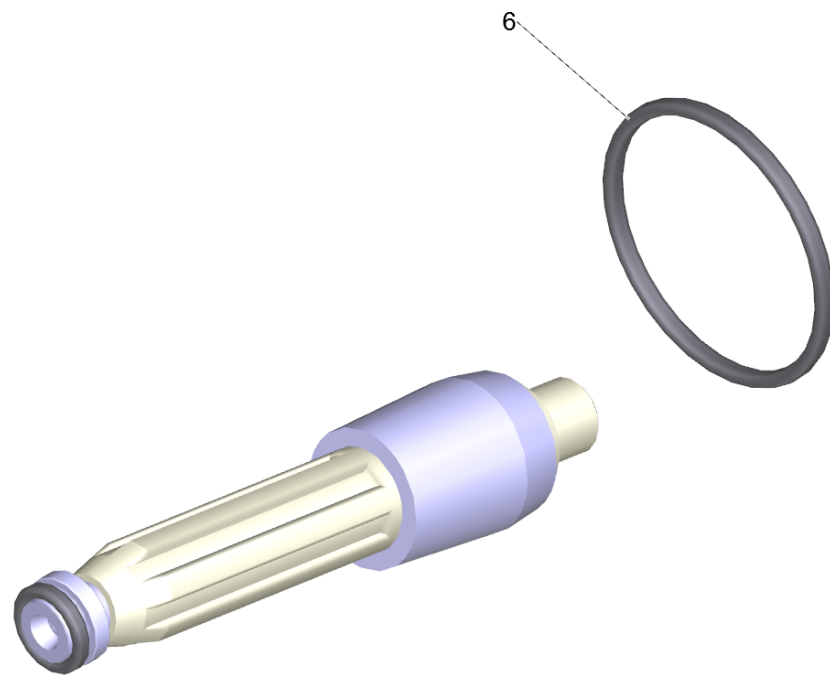
POS	Article no.	Description	Quantity	Unit
6	6.362-463.0	O-Ring seal 28,0 X 2,0-NBR 78	1.000	ST



Spare part set dirt blaster 05 (2.883-472.0)

---

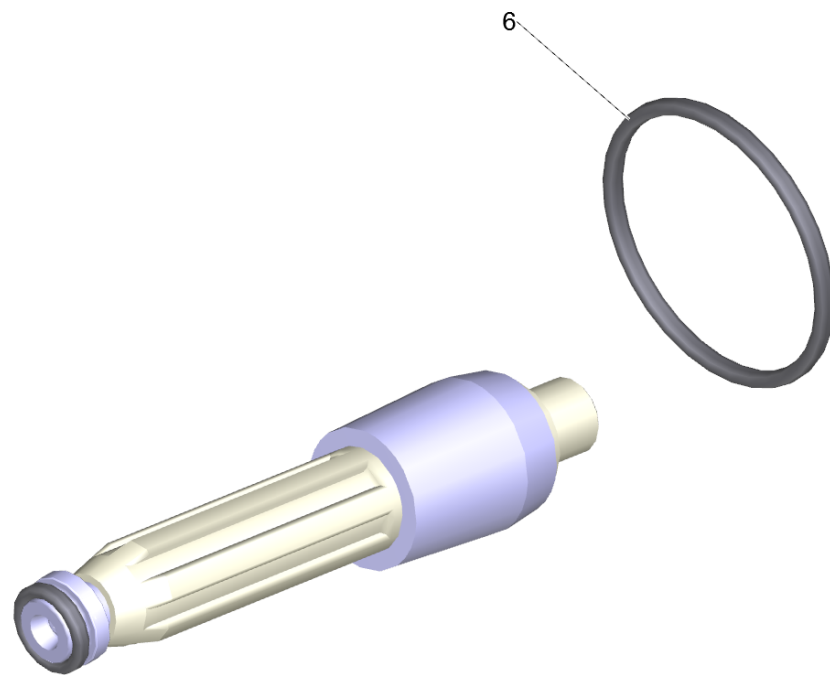
POS	Article no.	Description	Quantity	Unit
6	6.362-463.0	O-Ring seal 28,0 X 2,0-NBR 78	1.000	ST



Spare part set dirt blaster 055/06 (2.883-473.0)

---

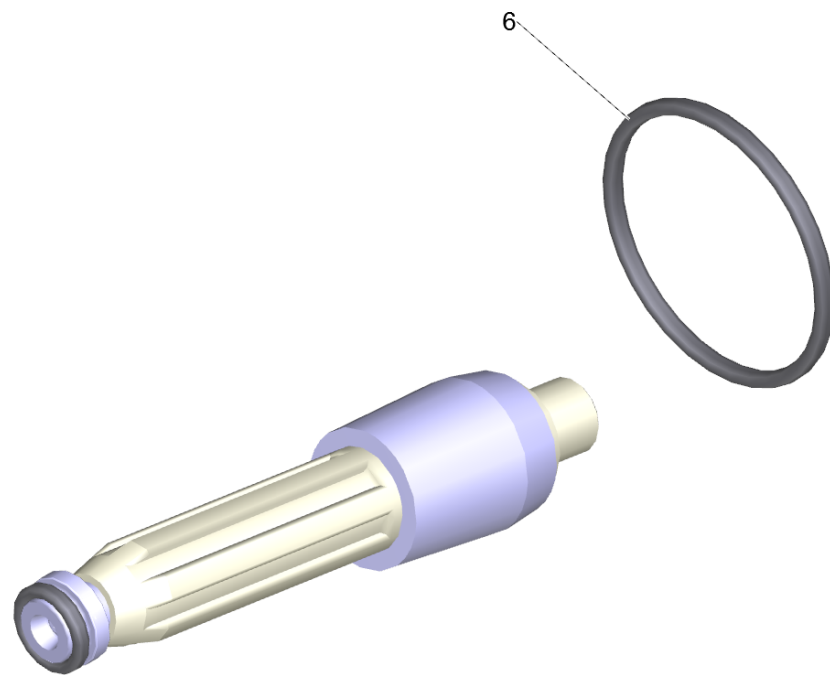
POS	Article no.	Description	Quantity	Unit
6	6.362-463.0	O-Ring seal 28,0 X 2,0-NBR 78	1.000	ST



Spare part set dirt blaster 07/08-HDS 8 (2.883-474.0)

---

POS	Article no.	Description	Quantity	Unit
6	6.362-463.0	O-Ring seal 28,0 X 2,0-NBR 78	1.000	ST

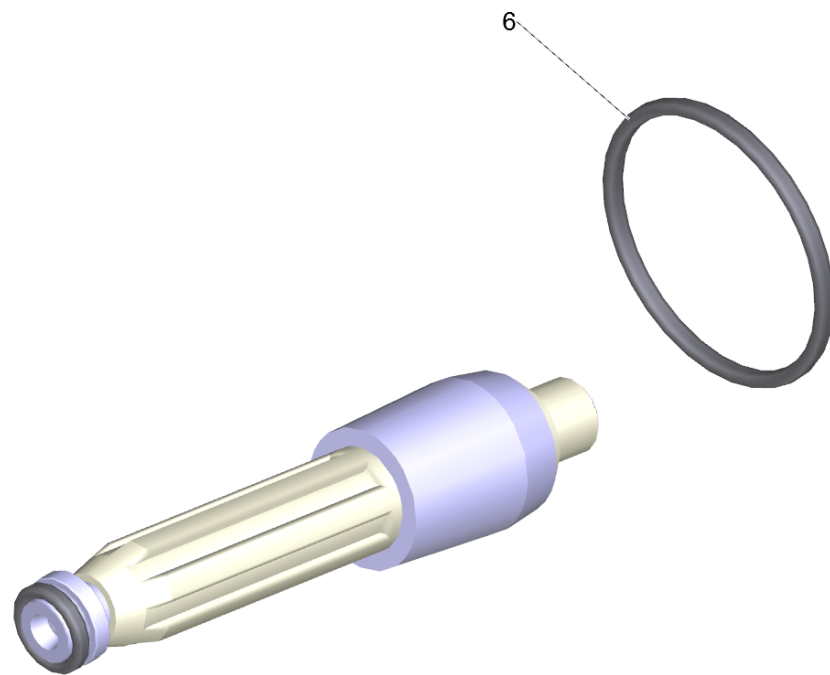




Spare part set dirt blaster 120 (2.884-051.0)

---

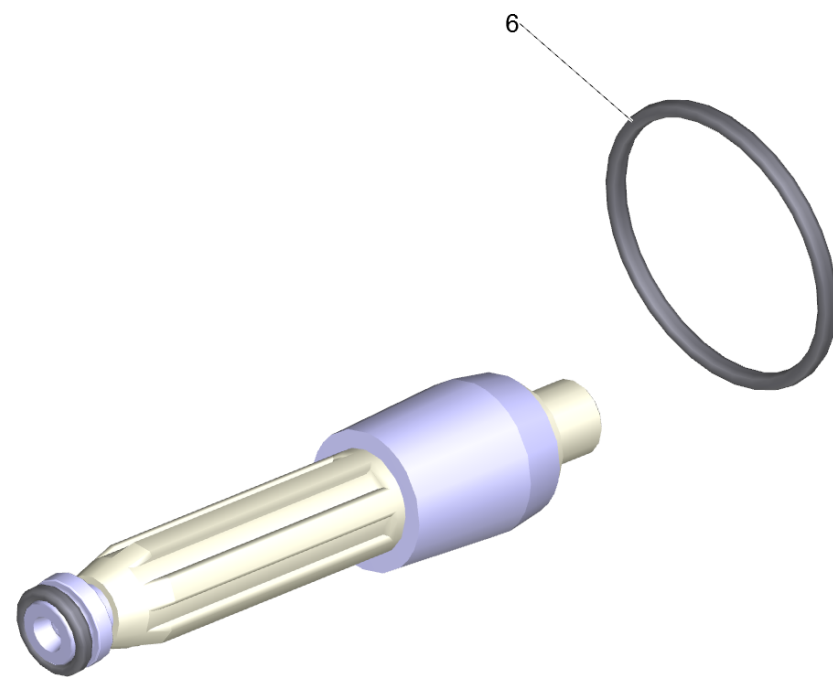
POS	Article no.	Description	Quantity	Unit
6	6.362-463.0	O-Ring seal 28,0 X 2,0-NBR 78	1.000	ST



Spare part set dirt blaster 035 (2.884-052.0)

---

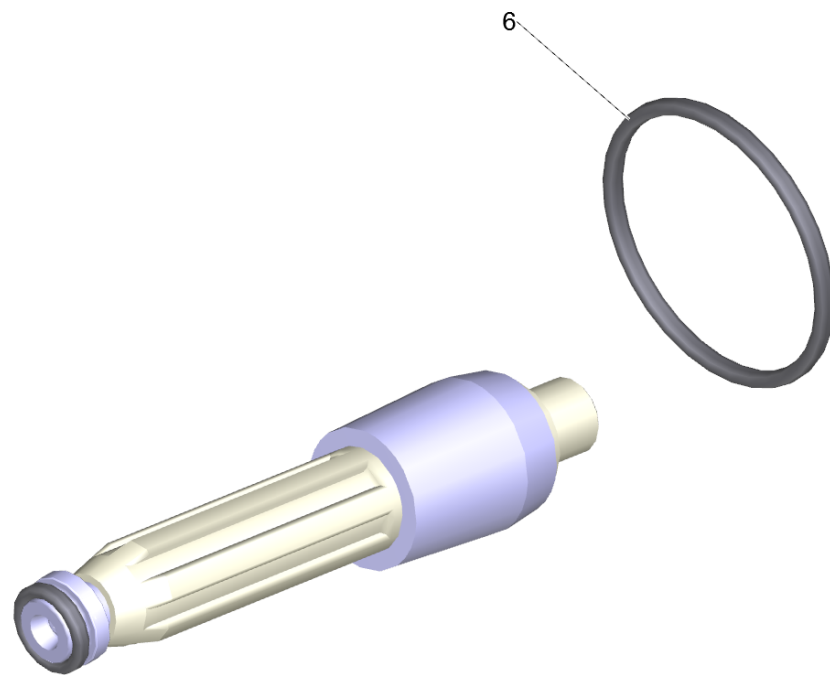
<b>POS</b>	<b>Article no.</b>	<b>Description</b>	<b>Quantity</b>	<b>Unit</b>
6	6.362-463.0	O-Ring seal 28,0 X 2,0-NBR 78	1.000	ST



Spare part set dirt blaster 045 (2.884-113.0)

---

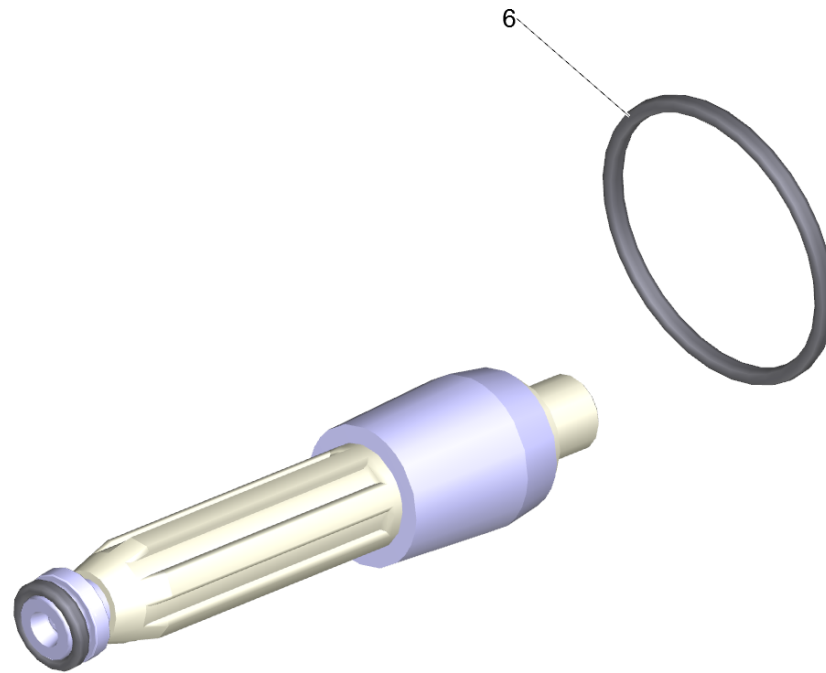
POS	Article no.	Description	Quantity	Unit
6	6.362-463.0	O-Ring seal 28,0 X 2,0-NBR 78	1.000	ST



Spare part set dirt blaster 09 (2.884-316.0)

---

POS	Article no.	Description	Quantity	Unit
6	6.362-463.0	O-Ring seal 28,0 X 2,0-NBR 78	1.000	ST

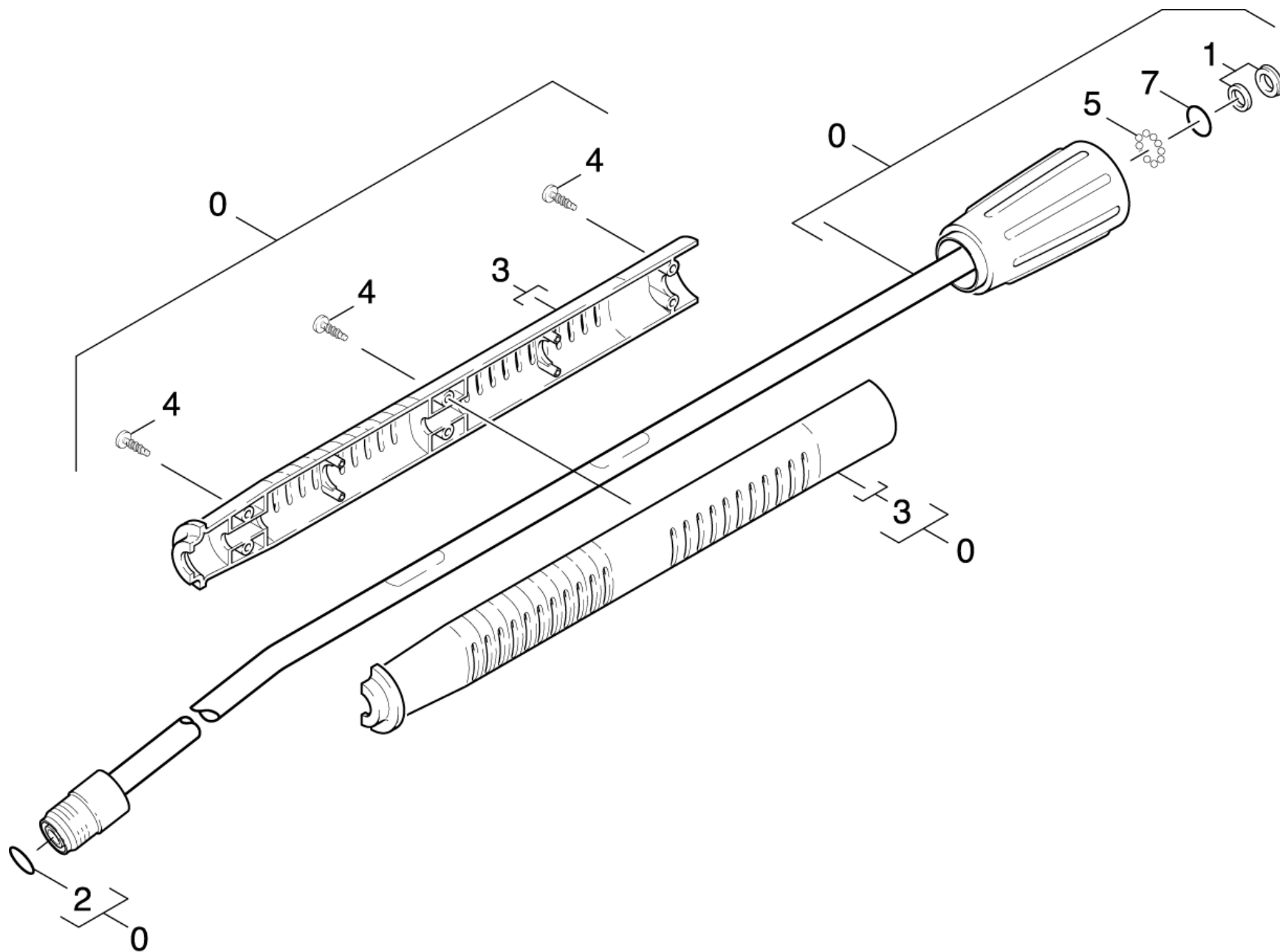




Spare parts set rotor 100 (2.885-196.0)

---

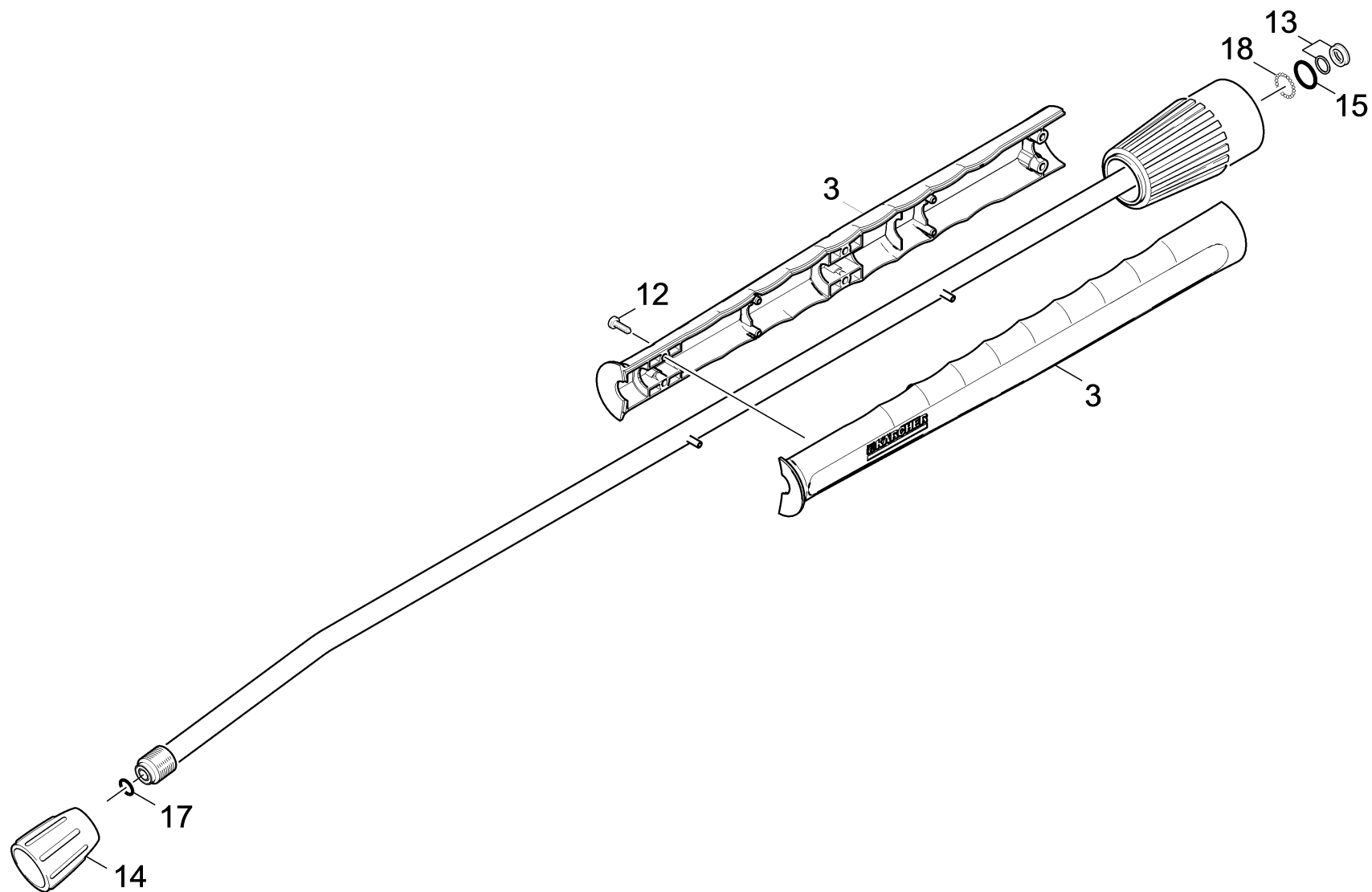
POS	Article no.	Description	Quantity	Unit
6	6.362-463.0	O-Ring seal 28,0 X 2,0-NBR 78	1.000	ST



## 46 Jet pipe

---

<b>POS</b>	<b>Article no.</b>	<b>Description</b>	<b>Quantity</b>	<b>Unit</b>
0	4.760-660.0	Jet pipe packaged only for replacement	1.000	ST
1	4.363-692.0	Grooved ring kpl. -nur fuer Ersatz-	1.000	ST
2	2.880-154.0	O-Ring kit	1.000	ST
3	5.321-691.0	Handhold few jet pipe	1.000	ST
4	6.303-025.0	Oval head screw 4,2x16-St-vz	6.000	ST
5	7.401-915.0	Sphere 2,5 G40 -1.4034 DIN 5401	1.000	ST
7	6.362-524.0	O-Ring seal 17,0 X 1,5	1.000	ST



Jet pipe packaged only for replacement (4.760-660.0)

---

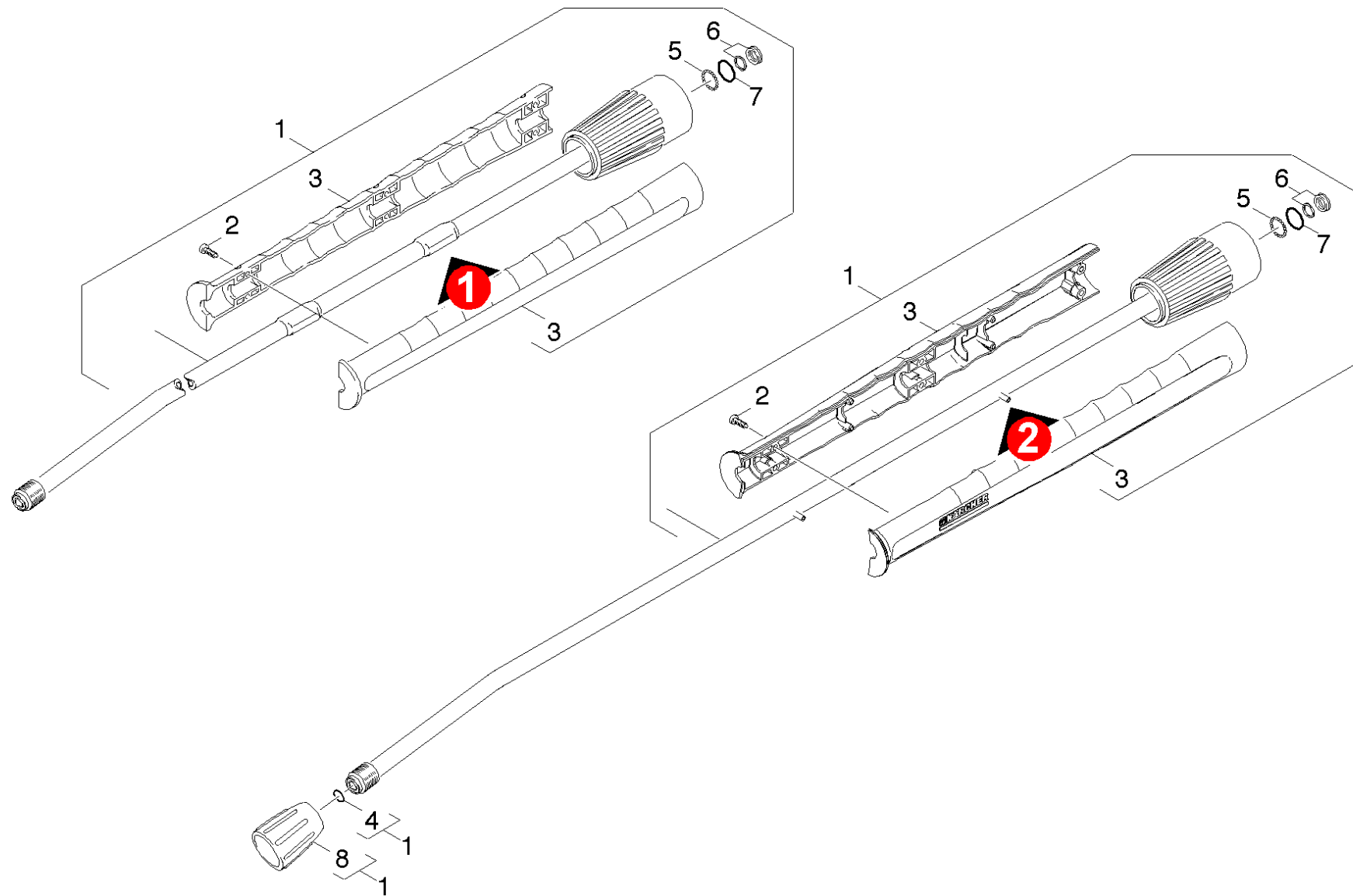
POS	Article no.	Description	Quantity	Unit
3	5.321-855.0	Handhold few jet pipe with welding bolt	1.000	ST
12	7.303-129.0	Screw 4x16 -10.9-R2R (K-In6Rd)	6.000	ST
13	4.363-692.0	Grooved ring kpl. -nur fuer Ersatz-	1.000	ST
14	5.401-210.0	Screw connector part	1.000	ST
15	6.362-524.0	O-Ring seal 17,0 X 1,5	1.000	ST
17	2.880-990.0	Spare part set O-Ring 5x -Kaercher	1.000	ST
18	7.401-915.0	Sphere 2,5 G40 -1.4034 DIN 5401	1.000	ST

14 Screw connector part (5.401-210.0)

---

<b>POS</b>	<b>Description</b>	<b>Quantity</b>	<b>Unit</b>
10	SCREW CONNECTOR PART	1.000	ST

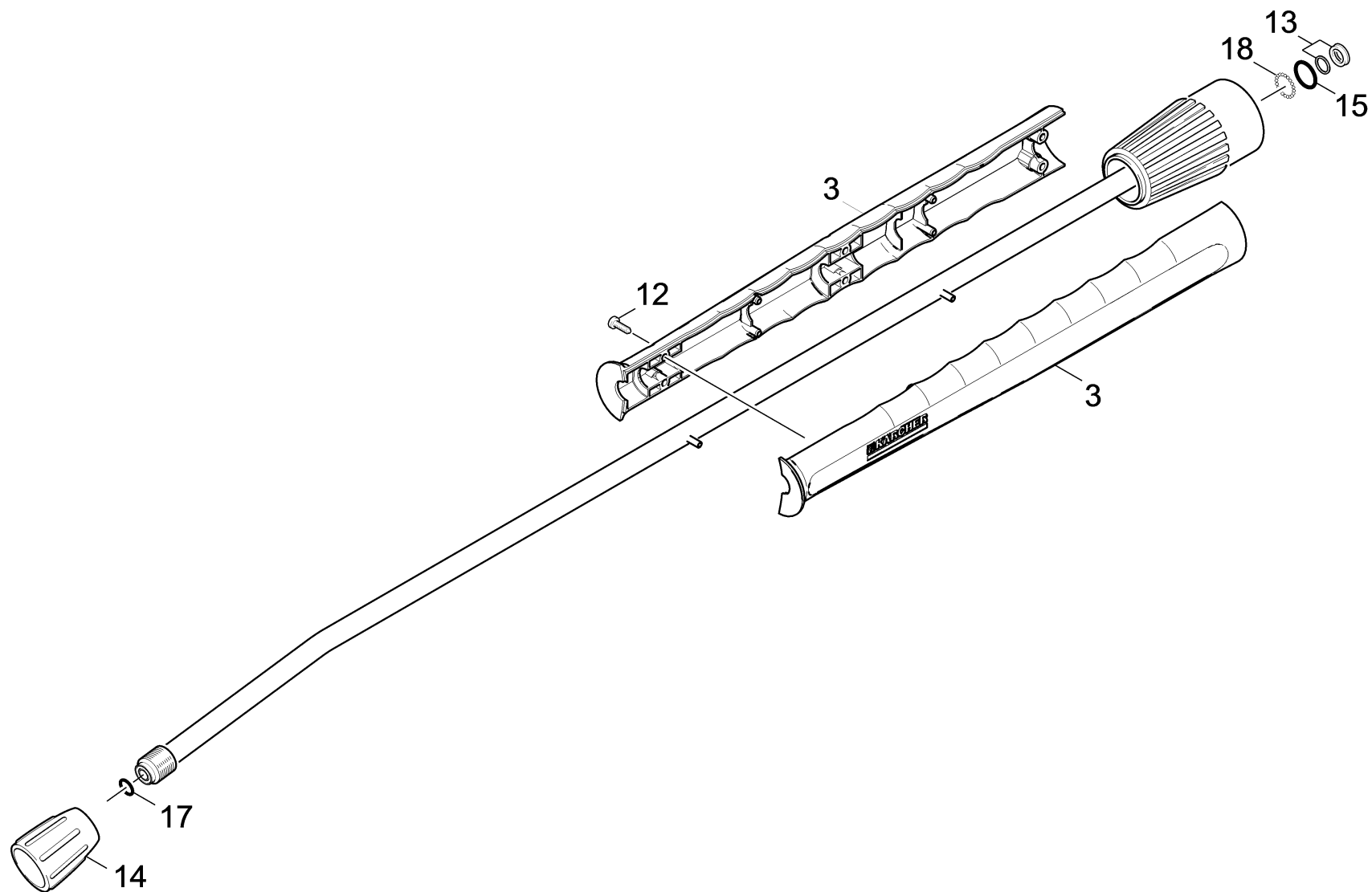
---



## 47 Jet pipe

POS	Article no.	Description	Quantity	Unit	Remark
1	4.760-660.0	Jet pipe packaged only for replacement	1.000	ST	
2	7.303-129.0	Screw 4x16 -10.9-R2R (K-In6Rd)	6.000	ST	
3	5.321-855.0	Handhold few jet pipe with welding bolt	1.000	ST	VERSION 2
3	5.321-691.0	Handhold few jet pipe	1.000	ST	VERSION 1
4	2.880-990.0	Spare part set O-Ring 5x -Kaercher	1.000	ST	
5	7.401-915.0	Sphere 2,5 G40 -1.4034 DIN 5401	20.000	ST	
6	4.363-692.0	Grooved ring kpl. -nur fuer Ersatz-	1.000	ST	
7	6.362-524.0	O-Ring seal 17,0 X 1,5	1.000	ST	
8	5.401-129.0	Screw connector part	1.000	ST	





1 Jet pipe packaged only for replacement (4.760-660.0)

---

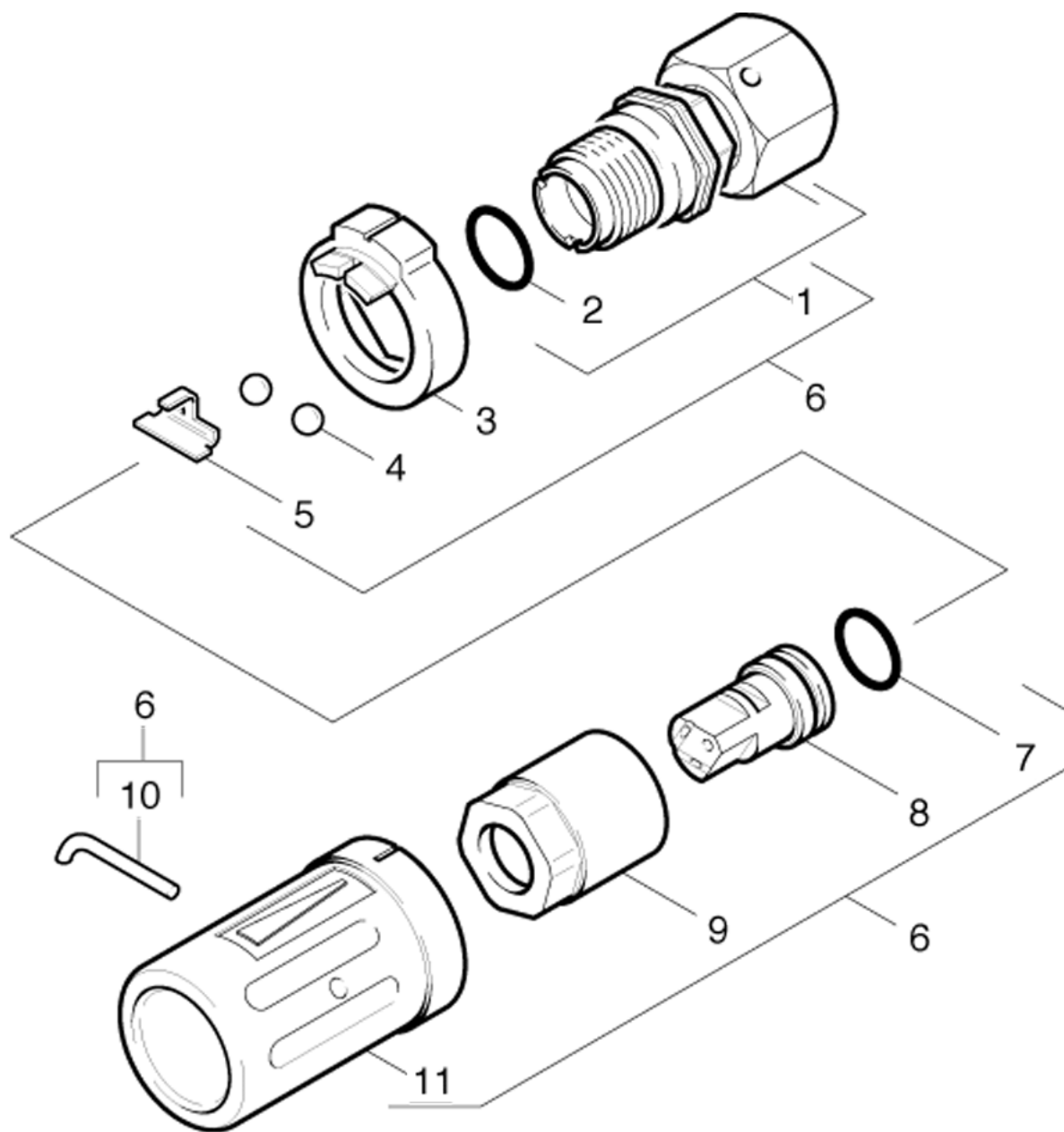
POS	Article no.	Description	Quantity	Unit
3	5.321-855.0	Handhold few jet pipe with welding bolt	1.000	ST
12	7.303-129.0	Screw 4x16 -10.9-R2R (K-In6Rd)	6.000	ST
13	4.363-692.0	Grooved ring kpl. -nur fuer Ersatz-	1.000	ST
14	5.401-210.0	Screw connector part	1.000	ST
15	6.362-524.0	O-Ring seal 17,0 X 1,5	1.000	ST
17	2.880-990.0	Spare part set O-Ring 5x -Kaercher	1.000	ST
18	7.401-915.0	Sphere 2,5 G40 -1.4034 DIN 5401	1.000	ST

14 Screw connector part (5.401-210.0)

---

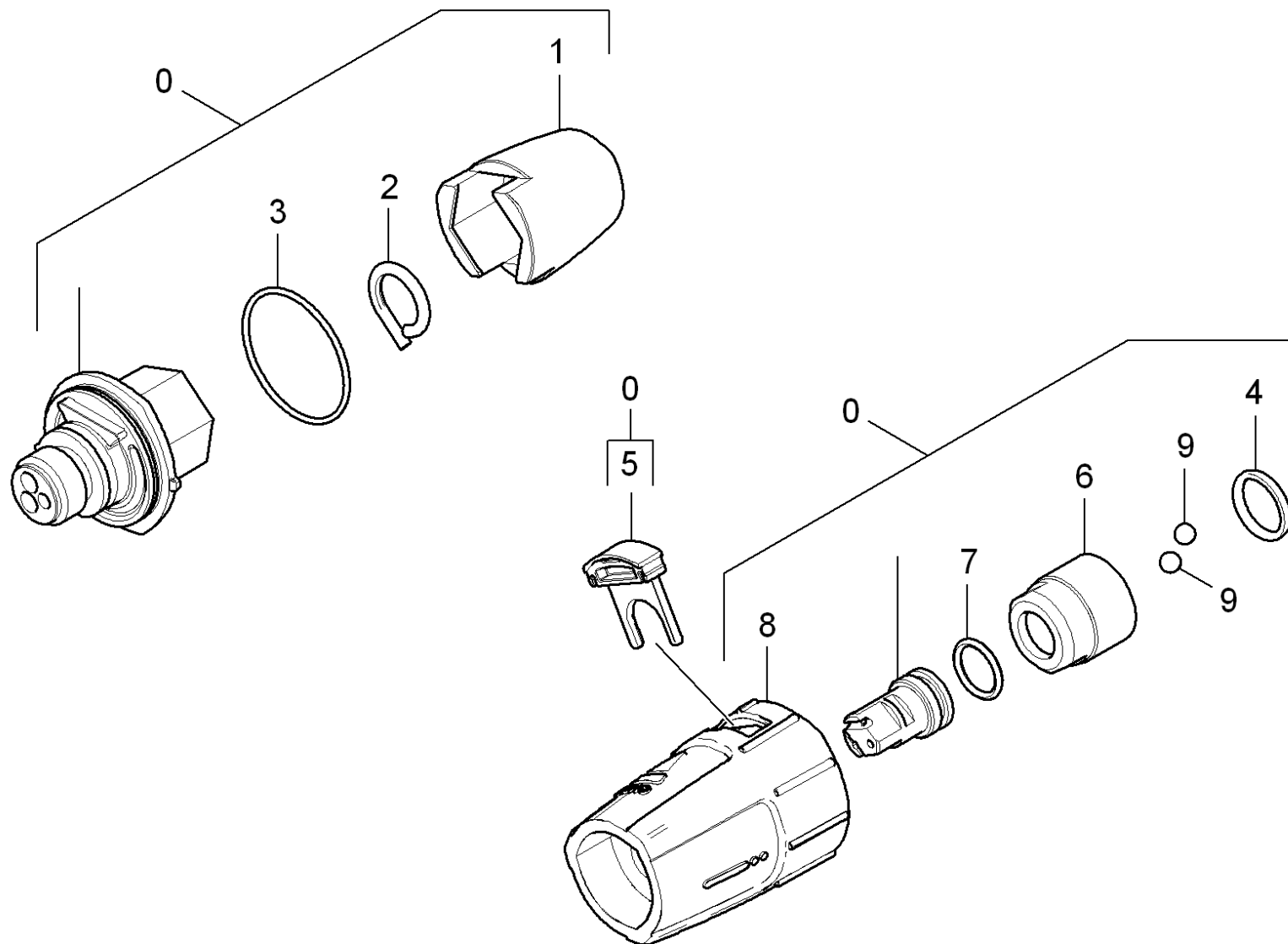
<b>POS</b>	<b>Description</b>	<b>Quantity</b>	<b>Unit</b>
10	SCREW CONNECTOR PART	1.000	ST

---



## 48 Nozzle

POS	Article no.	Description	Quantity	Unit
1	4.402-042.0	Screw union	1.000	ST
2	6.362-460.0	O-Ring seal 14,0 X 2,5-NBR 70	1.000	ST
3	5.030-528.0	Moulded part	1.000	ST
4	7.401-902.0	Sphere 5 G20 -1.4034 DIN 5401	2.000	ST
5	5.042-405.0	Holder	1.000	ST
6	7.777-999.0	Stockpiling discontinued	1.000	ST
7	6.362-480.0	O-Ring seal 12,42x 1,78	1.000	ST
8	5.415-609.0	Triple jet nozzle 055	1.000	ST
	<b>Item text1:</b> / 1.086-281.0			
8	5.415-607.0	Triple jet nozzle 050	1.000	ST
	<b>Item text1:</b> / 1.086-111.0 / -261.0 / -291.0			
	<b>Item text2:</b> / -911.0			
9	5.311-117.0	Hexagon nut	1.000	ST
10	5.037-059.0	Hook	1.000	ST
11	5.394-269.0	Protection part	1.000	ST



## 49 Nozzle

POS	Article no.	Description	Quantity	Unit
0	4.767-156.0	Triple jet nozzle only for replacement 0	1.000	ST
	<b>Item text1:</b> 1.086-281.0			
0	4.767-154.0	Triple jet nozzle only for replacement 0	1.000	ST
	<b>Item text1:</b> 1.086-111.0 /-261.0 /-291.0 /-911.0			
1	5.394-530.0	Protection part complete	1.000	ST
2	6.343-150.0	Pin 03	1.000	ST
3	6.362-409.0	O-Ring seal 32,0 X 1,5	1.000	ST
4	6.362-460.0	O-Ring seal 14,0 X 2,5-NBR 70	1.000	ST
5	5.321-884.0	Clamp	1.000	ST
6	5.311-225.0	Nut	1.000	ST
7	6.362-480.0	O-Ring seal 12,42x 1,78	1.000	ST
8	5.394-859.0	Protection part	1.000	ST
9	7.401-902.0	Sphere 5 G20 -1.4034 DIN 5401	2.000	ST

Triple jet nozzle only for replacement 0 (4.767-154.0)

---

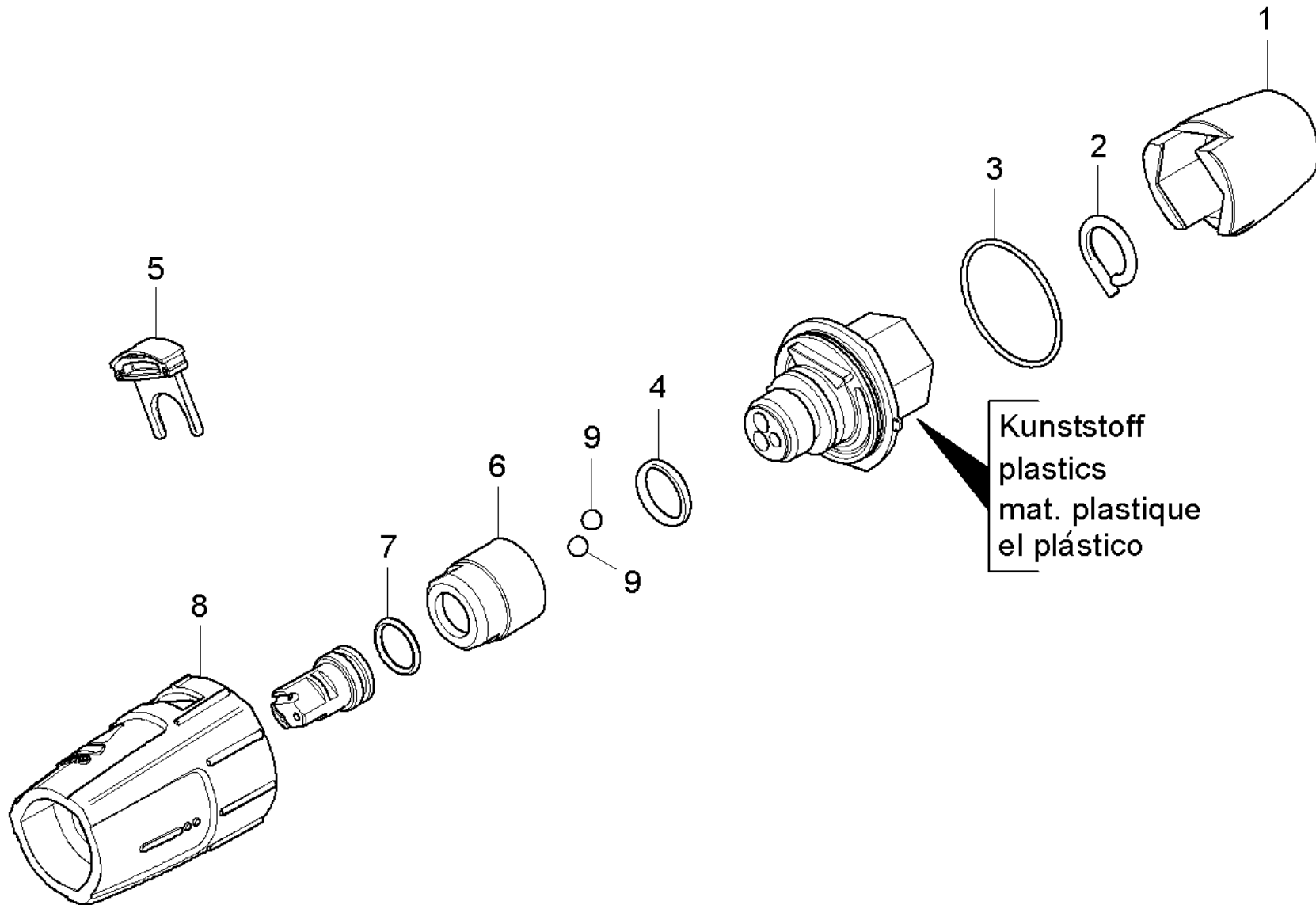
<b>POS</b>	<b>Article no.</b>	<b>Description</b>	<b>Quantity</b>	<b>Unit</b>
2	5.970-837.0	Spare parts list triple jet nozzle	1.000	ST



2 Spare parts list triple jet nozzle (5.970-837.0)

---

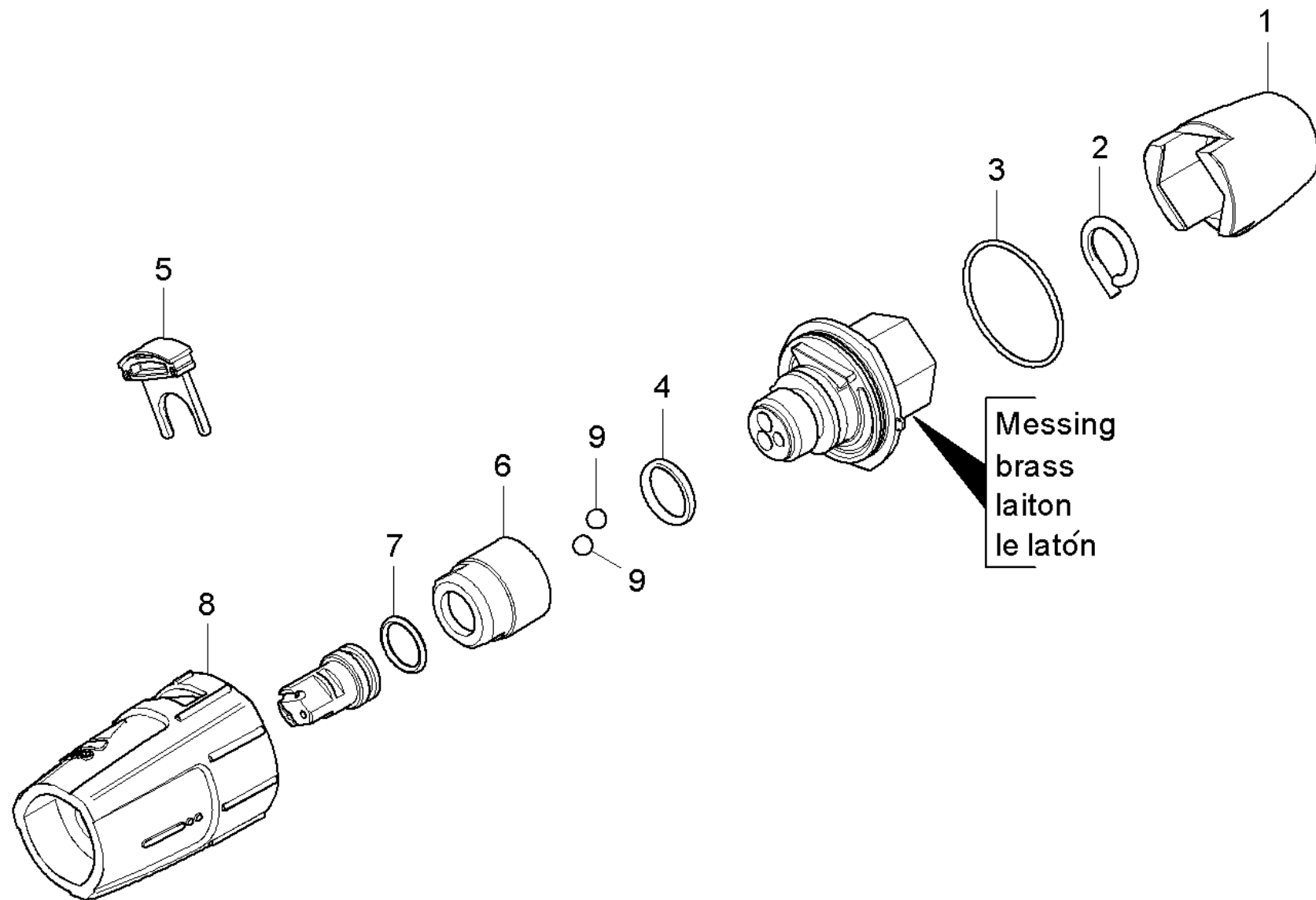
<b>POS</b>	<b>Description</b>	<b>Quantity</b>	<b>Unit</b>
10	Triple jet nozzle plastics	1.000	ST
20	Triple jet nozzle brass	1.000	ST



## 10 Triple jet nozzle plastics

---

<b>POS</b>	<b>Article no.</b>	<b>Description</b>	<b>Quantity</b>	<b>Unit</b>
1	5.394-530.0	Protection part complete	1.000	ST
2	6.343-150.0	Pin 03	1.000	ST
3	6.362-409.0	O-Ring seal 32,0 X 1,5	1.000	ST
4	7.362-039.0	O-Ring seal 15,5x1,5 -NBR70 DIN 3771	1.000	ST
5	5.321-884.0	Clamp	1.000	ST
6	5.311-236.0	Nut	1.000	ST
7	6.362-480.0	O-Ring seal 12,42x 1,78	1.000	ST
8	5.394-874.0	Protection part	1.000	ST
9	7.401-902.0	Sphere 5 G20 -1.4034 DIN 5401	2.000	ST



## 20 Triple jet nozzle brass

---

<b>POS</b>	<b>Article no.</b>	<b>Description</b>	<b>Quantity</b>	<b>Unit</b>
1	5.394-530.0	Protection part complete	1.000	ST
2	6.343-150.0	Pin 03	1.000	ST
3	6.362-409.0	O-Ring seal 32,0 X 1,5	1.000	ST
4	6.362-460.0	O-Ring seal 14,0 X 2,5-NBR 70	1.000	ST
5	5.321-884.0	Clamp	1.000	ST
6	5.311-225.0	Nut	1.000	ST
7	6.362-480.0	O-Ring seal 12,42x 1,78	1.000	ST
8	5.394-859.0	Protection part	1.000	ST
9	7.401-902.0	Sphere 5 G20 -1.4034 DIN 5401	2.000	ST

Triple jet nozzle only for replacement 0 (4.767-156.0)

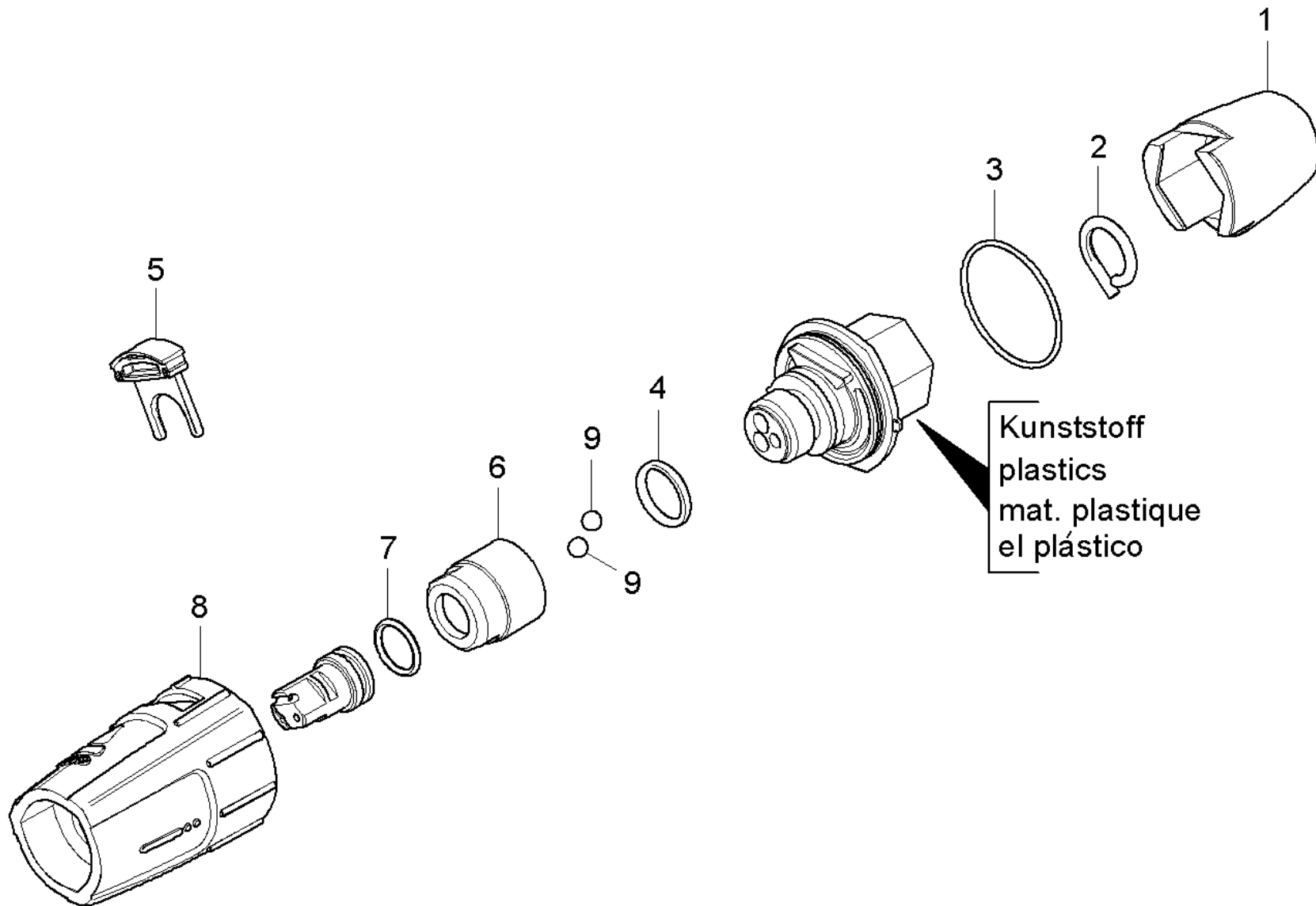
---

<b>POS</b>	<b>Article no.</b>	<b>Description</b>	<b>Quantity</b>	<b>Unit</b>
2	5.970-837.0	Spare parts list triple jet nozzle	1.000	ST

## 2 Spare parts list triple jet nozzle (5.970-837.0)

---

<b>POS</b>	<b>Description</b>	<b>Quantity</b>	<b>Unit</b>
10	Triple jet nozzle plastics	1.000	ST
20	Triple jet nozzle brass	1.000	ST

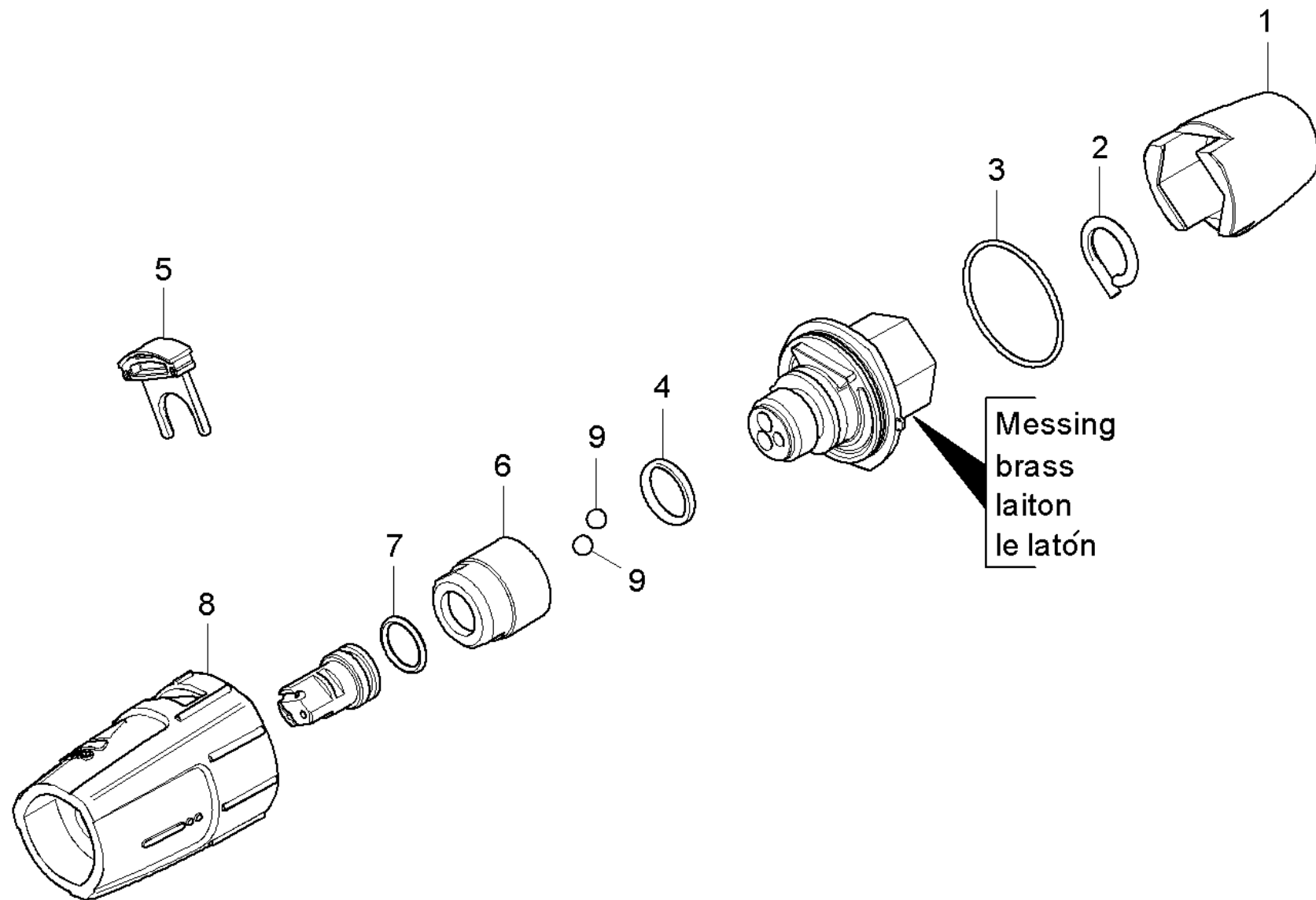




## 10 Triple jet nozzle plastics

---

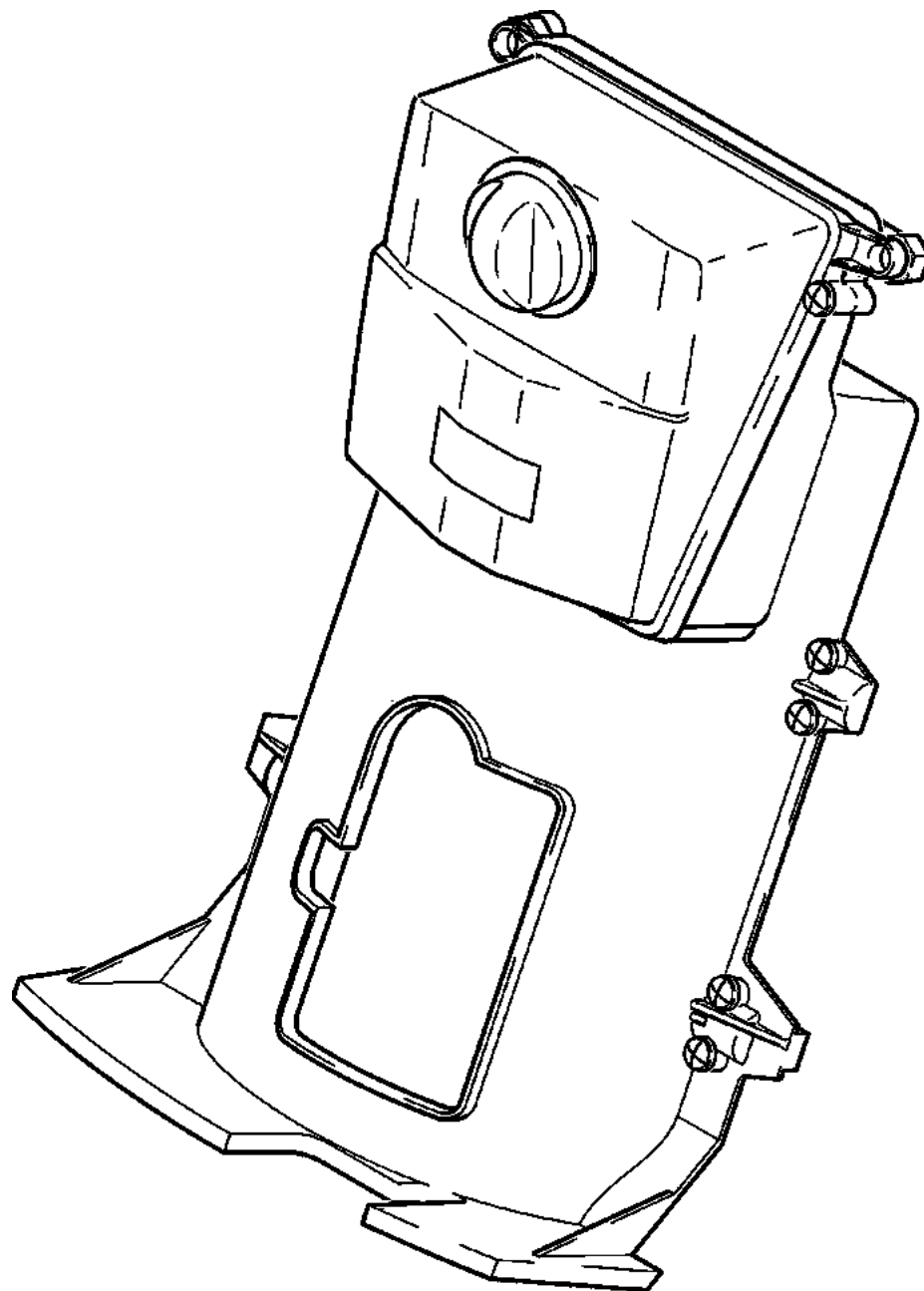
<b>POS</b>	<b>Article no.</b>	<b>Description</b>	<b>Quantity</b>	<b>Unit</b>
1	5.394-530.0	Protection part complete	1.000	ST
2	6.343-150.0	Pin 03	1.000	ST
3	6.362-409.0	O-Ring seal 32,0 X 1,5	1.000	ST
4	7.362-039.0	O-Ring seal 15,5x1,5 -NBR70 DIN 3771	1.000	ST
5	5.321-884.0	Clamp	1.000	ST
6	5.311-236.0	Nut	1.000	ST
7	6.362-480.0	O-Ring seal 12,42x 1,78	1.000	ST
8	5.394-874.0	Protection part	1.000	ST
9	7.401-902.0	Sphere 5 G20 -1.4034 DIN 5401	2.000	ST



## 20 Triple jet nozzle brass

---

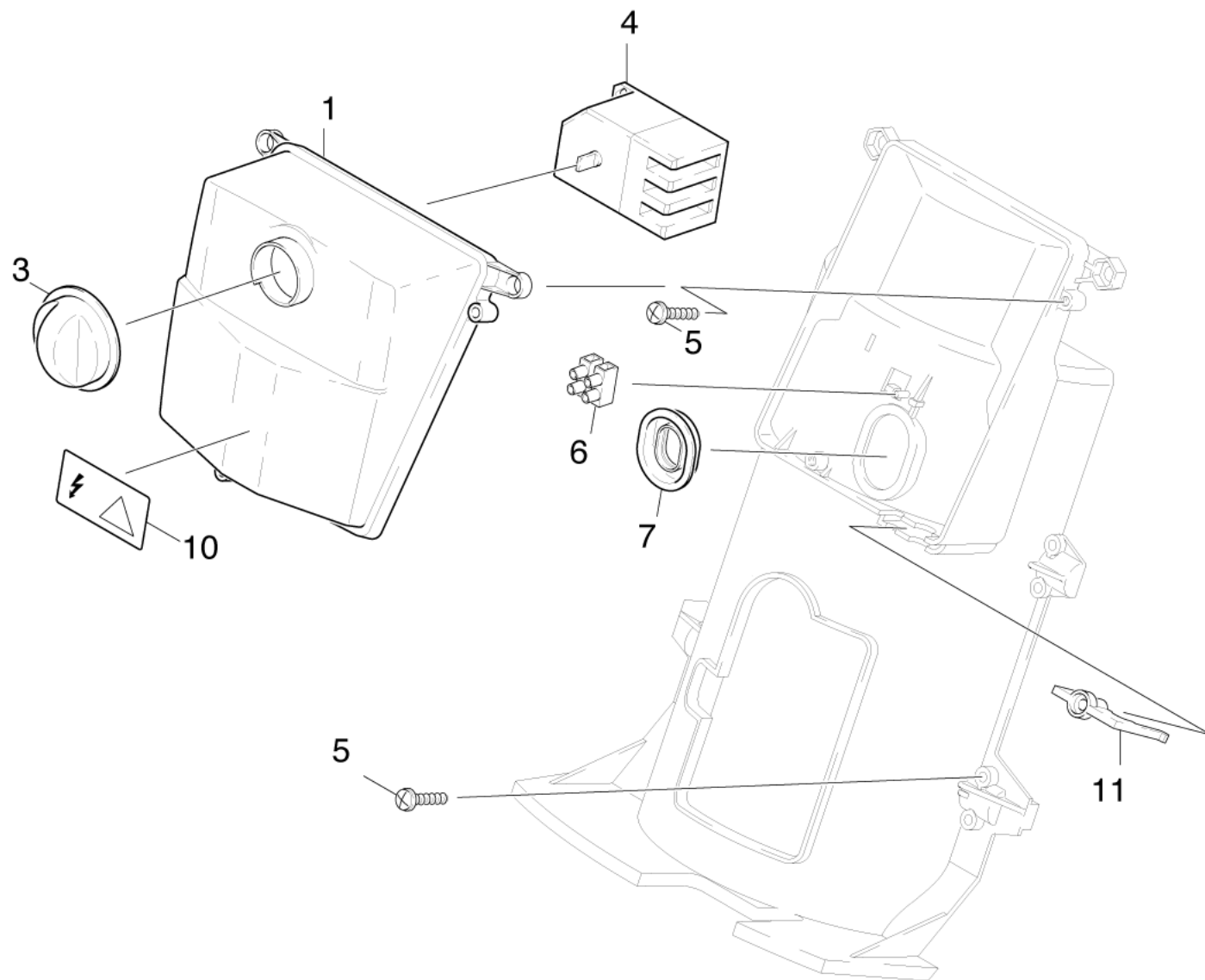
<b>POS</b>	<b>Article no.</b>	<b>Description</b>	<b>Quantity</b>	<b>Unit</b>
1	5.394-530.0	Protection part complete	1.000	ST
2	6.343-150.0	Pin 03	1.000	ST
3	6.362-409.0	O-Ring seal 32,0 X 1,5	1.000	ST
4	6.362-460.0	O-Ring seal 14,0 X 2,5-NBR 70	1.000	ST
5	5.321-884.0	Clamp	1.000	ST
6	5.311-225.0	Nut	1.000	ST
7	6.362-480.0	O-Ring seal 12,42x 1,78	1.000	ST
8	5.394-859.0	Protection part	1.000	ST
9	7.401-902.0	Sphere 5 G20 -1.4034 DIN 5401	2.000	ST



## 50 Electric control box

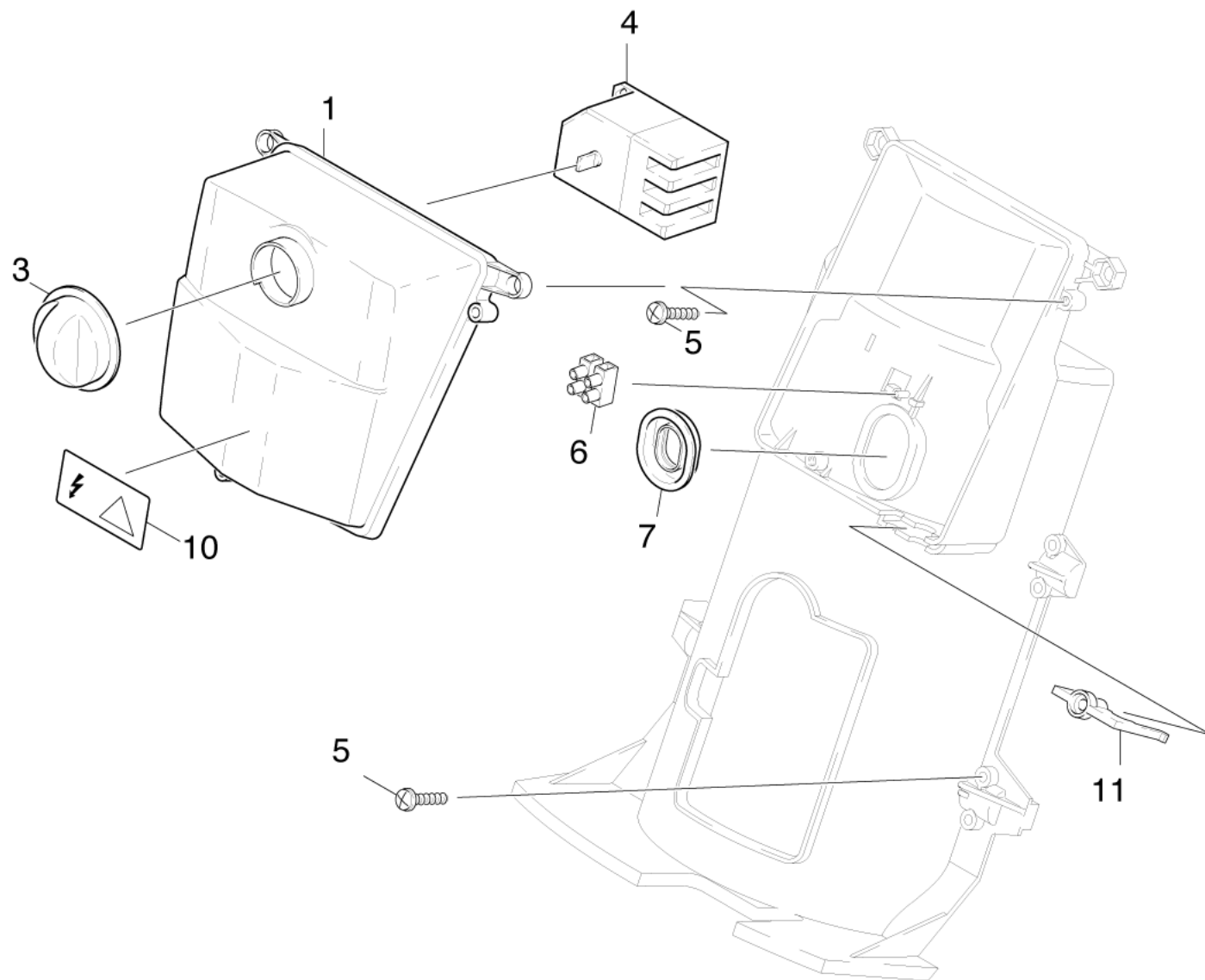
---

<b>POS</b>	<b>Description</b>	<b>Quantity</b>	<b>Unit</b>	<b>Remark</b>
51	Electric control box	1.000	ST	VERSION 1
52	Electric control box	1.000	ST	VERSION 2



## 51 Electric control box

POS	Article no.	Description	Quantity	Unit	Remark
1	5.066-841.0	Cover electric control box	1.000	ST	
3	5.321-516.0	Handle	1.000	ST	
4	6.631-190.0	Motor protecting switch	1.000	ST	
5	7.303-109.0	Screw 5x25 -10.9-R2R (In6Rd)	12.000	ST	
6	6.643-552.0	Strip terminal two-pole	1.000	ZST	
6	6.643-151.0	Strip terminal one-pole 16mm <sup>2</sup>	2.000	ZST	
7	5.365-181.0	Profile gasket	1.000	ST	
10	5.388-512.0	Label	1.000	ST	
11	5.263-051.0	Tensioning part	1.000	ST	ALT-OLD





## 52 Electric control box

POS	Article no.	Description	Quantity	Unit	Remark
1	5.066-841.0	Cover electric control box	1.000	ST	
3	5.321-516.0	Handle	1.000	ST	
4	6.631-190.0	Motor protecting switch	1.000	ST	
5	7.303-109.0	Screw 5x25 -10.9-R2R (In6Rd)	12.000	ST	
6	6.643-552.0	Strip terminal two-pole	1.000	ZST	
6	6.643-151.0	Strip terminal one-pole 16mm <sup>2</sup>	2.000	ZST	
7	5.365-181.0	Profile gasket	1.000	ST	
10	5.388-512.0	Label	1.000	ST	
11	5.263-058.0	Tensioning part	1.000	ST	NEU-NEW