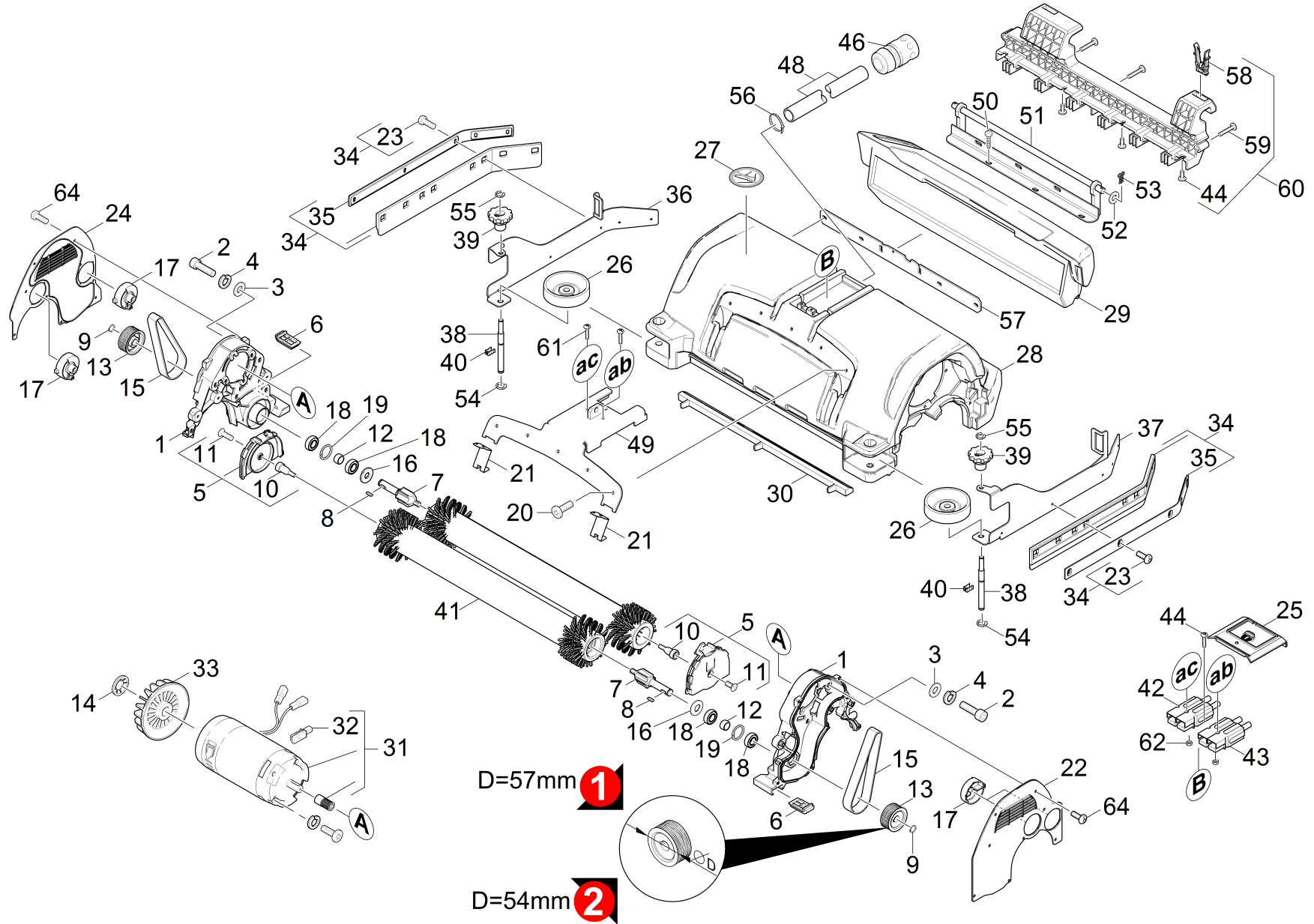


10 Power brush R 75 S

Overview technical documents/Professional/Floor cleaner/Walk behind/B 60W+R65+Autofill+Squeeg*RU (1.384-021.0)/Spare parts list B 60 W Bp Dose + R 65 =/262 Brush-head R 75 S/600 Spare parts list brush-head BR 75 S/10 Power brush R 75 S



10 Power brush R 75 S

Overview technical documents/Professional/Floor cleaner/Walk behind/B 60W+R65+Autofill+Squeegee*RU (1.384-021.0)/Spare parts list B 60 W Bp Dose + R 65 =/262 Brush-head R 75 S/600 Spare parts list brush-head BR 75 S/10 Power brush R 75 S

Rez.daļas/nodil.pakļ.daļas	Poz.	Materiāla Nr.	Nosaukums	Daudzums	Pārdoš. vienība	Daž. informācija
	1	2.882-726.0	Conversion kit retainer plate transmissi	2.000	ST	
Pozīcijas teksts: 5.625-483.0						
X-X	1	5.044-866.0	Pievada balstplātne	2.000	ST	
Pozīcijas teksts: 5.625-494.0						
X-X	2	7.306-031.0	Skrūve M 6x16-A2-70 DIN 7984	10.000	ST	
X-X	3	7.312-026.0	Washer 6-A2 ISO 7090	10.000	ST	
	4	7.313-003.0	Spring washer B 6-FSt-A3E DIN 127	10.000	ST	
X-X	5	2.763-032.0	Set holder-up	2.000	ST	
X-X	6	5.056-010.0	Sliece BR-VS	2.000	ST	
X	7	5.100-553.0	Driveshaft BR 65/90	2.000	ST	
X-X	7	5.100-611.0	Piedziņas vārpsta	2.000	ST	
X	8	7.318-002.0	Prizm. ierievis 5x5x16 -C45R DIN 6885-1	2.000	ST	
X-X	9	7.343-015.0	Bloķētājgredzens 15x1-FST-RF DIN 471	2.000	ST	
	10	5.116-340.0	Bolt holder-up	2.000	ST	
X	11	7.305-627.0	Countersunk screw M8x25-A2-70 ISO 10642	2.000	ST	
X-X	12	5.116-354.0	Bush transmission BR	2.000	ST	
X	12	5.116-413.0	Čaula	2.000	ST	
X	13	5.625-483.0	Belt pulley 57mm	2.000	ST	D = 57mm
X	13	5.625-494.0	Siksnas skriemelis 54 mm	2.000	ST	D = 54mm
	14	6.343-149.0	Quick-fastener	2.000	ST	
X-X	15	6.348-456.0	Ķīļrievu sikсна	2.000	ST	425mm
X-X	15	6.348-442.0	Ķīļrievu sikсна	2.000	ST	432mm
X-X	16	6.363-158.0	Blīvgredzens	2.000	ST	
X-X	17	5.033-665.0	Locking part	4.000	ST	
	18	7.401-128.0	Lod.gultnis 6202-2RS -Wälzl.St DIN 625	4.000	ST	

10 Power brush R 75 S

Overview technical documents/Professional/Floor cleaner/Walk behind/B 60W+R65+Autofill+Squeegee*RU (1.384-021.0)/Spare parts list B 60 W Bp Dose + R 65 =/262 Brush-head R 75 S/600 Spare parts list brush-head BR 75 S/10 Power brush R 75 S

Rez.daļas/nodil.pakļ.dājas	Poz.	Materiāla Nr.	Nosaukums	Daudzums	Pārdoš. vienība	Daž. informācija
X-X	18	7.401-115.0	Lod.gultnis 6002-2RS -WAEZLAGST DIN 62	4.000	ST	
X-X	19	7.343-017.0	Locking ring 35x1,5-FST-PHR DIN 472	2.000	ST	
X-X	19	7.343-231.0	Sprostpaplāksne 32x1,2 -St-ph DIN 472	2.000	ST	
	20	7.303-047.0	Screw M6x16 -St-R3R (In6Rd)	5.000	ST	
X-X	21	5.033-664.0	Locking part tension rod	2.000	ST	
X	22	5.033-241.0	Covering cap left	1.000	ST	
	23	7.303-037.0	Skrūve M5x8 -St-A2R (In6Rd)	10.000	ST	
	24	5.033-242.0	Covering cap right	1.000	ST	
	25	5.033-403.0	Cover BR	1.000	ST	
X	26	5.515-267.0	Ies. rullītis iesūkšanas latai	2.000	ST	
	27	5.383-097.0	Label	1.000	ST	
	28	5.061-577.0	Brush housing BR 75	1.000	ST	
	29	5.075-041.0	Tank refuse BR 75	1.000	ST	
	30	5.190-289.0	Ūdens izkļiedes sliede BR 75	1.000	ST	
	31	4.623-920.0	Motor complete nur fuer Ersatz	2.000	ST	
	31	4.623-993.0	Motor	2.000	ST	
	32	6.610-239.0	Carbon brush set ATAS	1.000	ST	
	33	6.613-025.0	Blower wheel	2.000	ST	
X-X	34	4.071-228.0	Set splask guard onesided	2.000	ST	
X-X	35	5.044-867.0	Dubļu sarga atbalsta sliede	2.000	ST	
X	35	4.007-009.0	Retainer strip rubber lip stainless steel	2.000	ST	
	36	5.009-401.0	Bracket right scraper lip	1.000	ST	
X	37	5.009-402.0	Bracket left scraper lip	1.000	ST	
X-X	38	5.116-339.0	Threaded bolt	2.000	ST	
X-X	39	5.033-666.0	Hand wheel	2.000	ST	

10 Power brush R 75 S

Overview technical documents/Professional/Floor cleaner/Walk behind/B 60W+R65+Autofill+Squeege*RU (1.384-021.0)/Spare parts list B 60 W Bp Dose + R 65 =/262 Brush-head R 75 S/600 Spare parts list brush-head BR 75 S/10 Power brush R 75 S

Rez.daļas/nodil.pakļ.daļas	Poz.	Materiāla Nr.	Nosaukums	Daudzums	Pārdoš. vienība	Daž. informācija
X-X	40	6.330-407.0	Spring clip	2.000	ST	
	41	4.114-007.0	Microfibre roll complete BR 75	2.000	ST	
X-X	41	6.906-985.0	Roller brush white - BR 75	2.000	ST	
X-X	41	6.906-987.0	Ruļļveida birste, zaļa- BR 75	2.000	ST	
	41	6.906-988.0	Roller brush black - BR 75	2.000	ST	
X	41	6.906-986.0	Roller brush orange - BR 75	2.000	ST	
X-X	41	6.907-415.0	Ruļļveida birste, sarkana - BR 75	2.000	ST	
X-X	42	6.646-034.0	Set plug complete rot, 75A , Q-6mm ²	2.000	ST	
X-X	43	6.646-033.0	Set plug complete blau , 75A , Q-6mm ²	2.000	ST	
X	44	7.303-107.0	Skrūve 5x16 -10.9-P2R (K-In6Rd)	3.000	ST	
	46	4.645-332.0	HOSE CONNECTOR 1/2" / 5/8" OPP	1.000	ST	
X-X	48	6.390-892.0	Spiral hose NW12	1.000	M	
	49	4.040-712.0	Holder brush-head	1.000	ST	
	50	7.303-112.0	Screw 6x20 -10.9-R2R (In6Rd)	6.000	ST	
	51	4.481-261.0	Holder pivot point complete BR	1.000	ST	
	52	7.312-008.0	Washer 12-200HV-A3E ISO 7090	2.000	ST	
X-X	53	6.313-022.0	Spring clip	2.000	ST	
X-X	54	7.343-047.0	Lock washer 10-FST-A2E DIN 6799	2.000	ST	
X-X	55	7.343-302.0	Sprostaplāksne 8 -St-ph DIN 6799	2.000	ST	
	56	6.388-545.0	Šļūtenes skava	1.000	ST	
	57	5.010-121.0	Plate suspension	1.000	ST	
X-X	58	5.035-424.0	Snap-fit	2.000	ST	
	59	7.303-110.0	Screw 5x35 -10.9-R2R (In6Rd)	5.000	ST	
X-X	60	4.035-472.0	Adapter set BR	1.000	ST	
	61	7.306-184.0	Screw M5x30 -A2-70 (In6Rd)	2.000	ST	

10 Power brush R 75 S

Overview technical documents/Professional/Floor cleaner/Walk behind/B 60W+R65+Autofill+Squeeg*RU (1.384-021.0)/Spare parts list B 60 W Bp Dose + R 65 =/262 Brush-head R 75 S/600 Spare parts list brush-head BR 75 S/10 Power brush R 75 S

Rez.daļas/nodil.pakļ.daļas	Poz.	Materiāla Nr.	Nosaukums	Daudzums	Pārdoš. vienība	Daž. informācija
	62	7.311-065.0	Hexagon nut M 5-A2-70 ISO 4032	2.000	ST	
X-X	63	5.394-911.0	Splash guard reinforced	2.000	ST	
	64	6.303-029.0	Screw EJOT ALtracs Plus 50x10 A2	17.000	ST	