

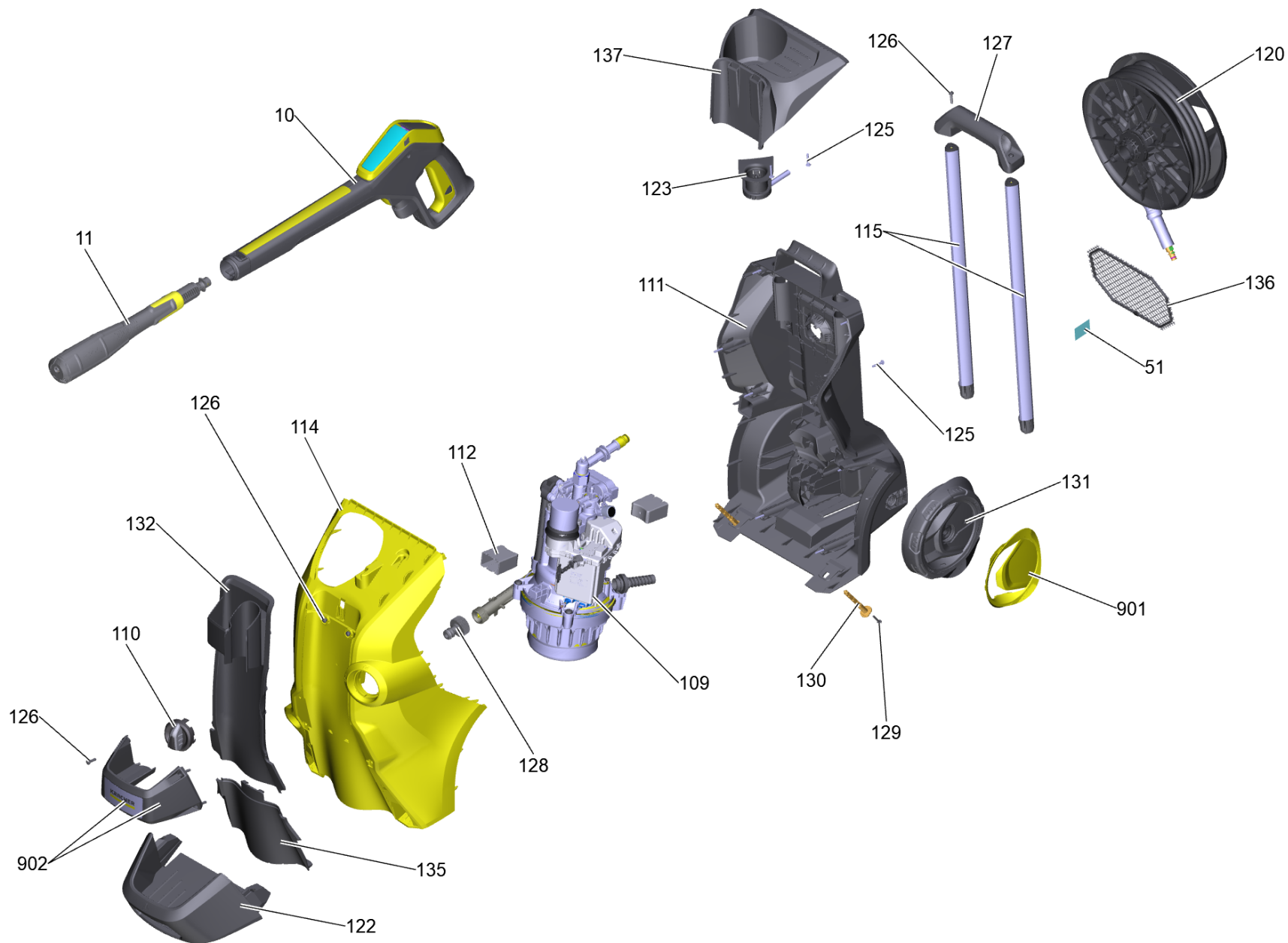
## **Spare parts list**

(1.324-670.0) K 5 Premium Smart Control \*EU

## Table of contents

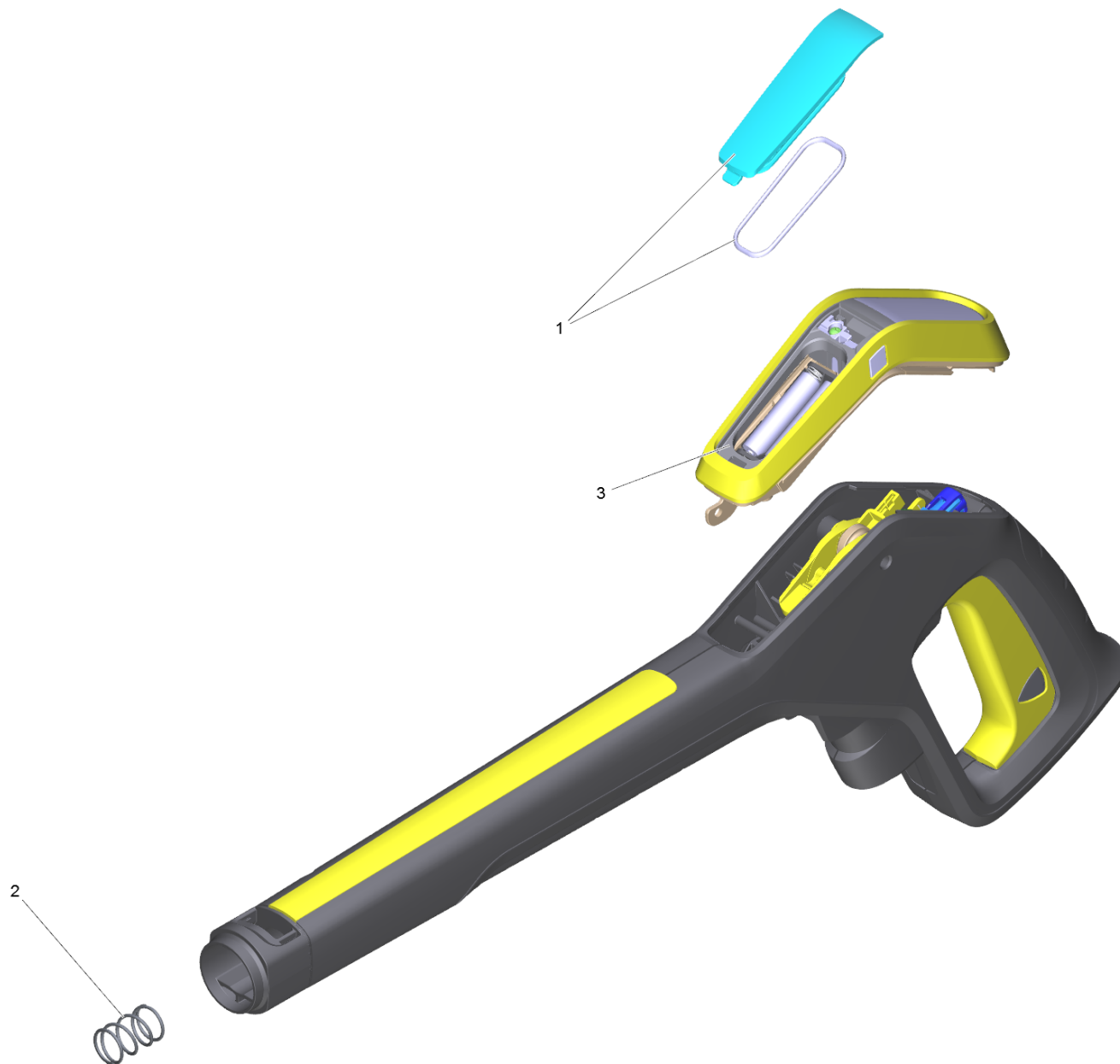
---

K 5 Premium Smart Control *EU (1.324-670.0)	3
10 G 180 Q Smart Control (2.644-270.0)	5
11 MJ 145 3-in-1 Multi Jet Full Control (2.643-906.0)	7
109 Pump set complete K5 Prem.SCR Plus*EU	9
80 Thrust guidance FC/SCR K5	11
90 Electrical housing K5 SC Plus *EU (9.013-647.3)	13
110 HP inner fitting K5 FC Al (9.013-435.0)	15
170 Pump complete Alu FC Plus	17
10 Spare part set control head (9.002-463.0)	19
70 Injector cleaning agents complete (9.002-466.0)	21
12 Valve pin complete (4.584-022.0)	23
20 Pump head Alu FC ric (9.002-456.0)	25
30 Manifold fitting K5 FC kpl (9.013-346.0)	27
902 Motor cpl. for replacement (4.100-819.0)	29
10 Motor completo K5 SCR EU	31
903 Suction connection cpl FC + filter (9.002-432.0)	33
120 Hose reel FC 16MPa/10m	35
13 High pressure hose 18MPa/12 60°C QC B (6.396-555.0)	37
9002 Spare parts set hose reel (9.002-440.0)	39
123 Docking station complete FC (9.002-481.0)	41
131 Wheel in pairs FC 1K D160 (9.002-438.0)	43



K 5 Premium Smart Control \*EU (1.324-670.0)

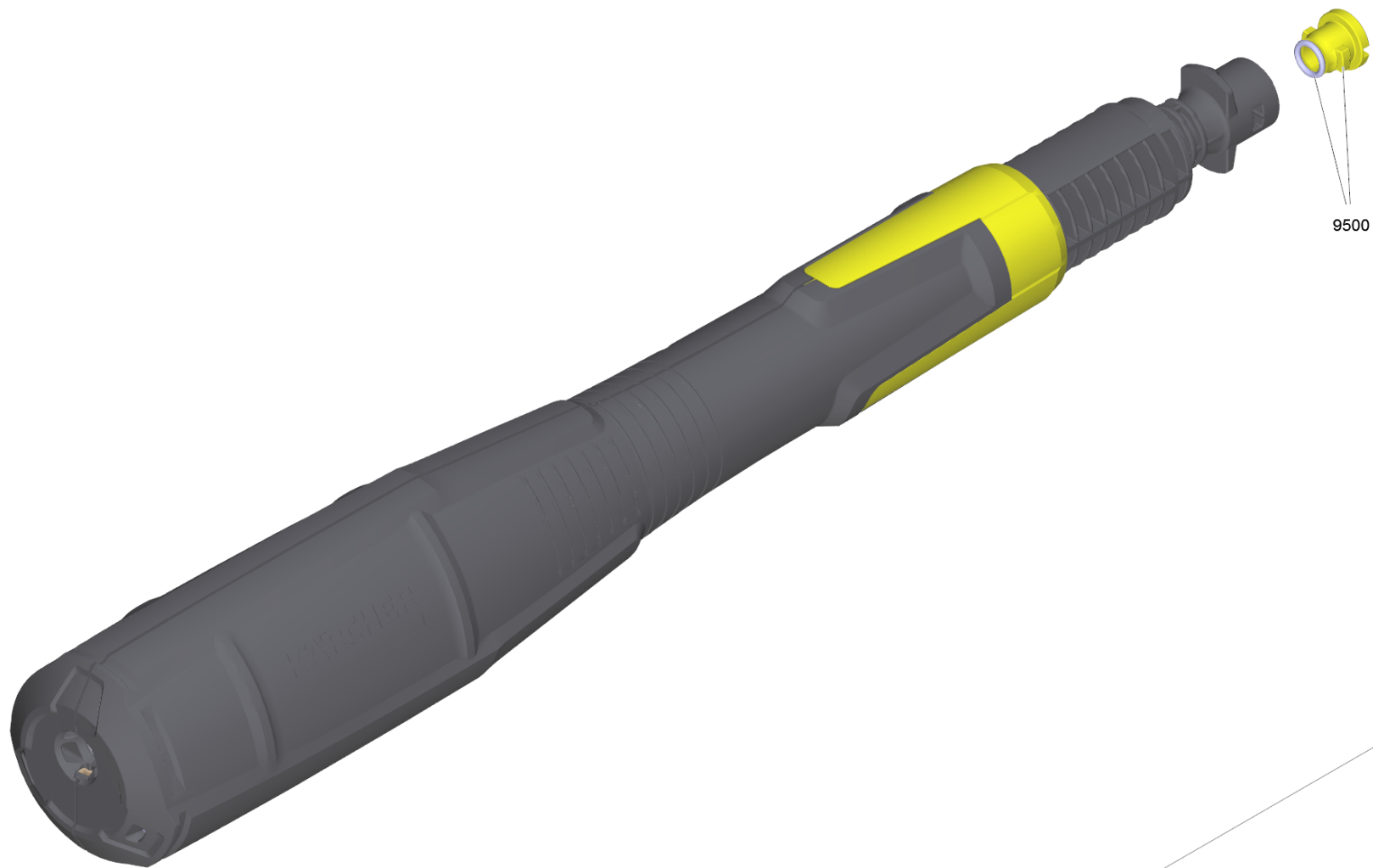
POS	Article no.	Description	Quantity	Unit
10	2.644-270.0	G 180 Q Smart Control	1	PC
11	2.643-906.0	MJ 145 3-in-1 Multi Jet Full Control	1	PC
51	5.387-620.0	Warning sticker-Prevent from freezing	1	PC
109		Pump set complete K5 Prem.SCR Plus*EU	1	PC
110	9.048-123.0	2K KNOB black	1	PC
111	9.002-436.0	Spare parts set housing rear	1	PC
112	9.038-456.0	Chassis support FC	2	PC
114	9.038-659.3	Housing Front K4-K5 SCR	1	PC
115	9.002-448.0	Telescopic handle ALU bar FC kpl	2	PC
120		Hose reel FC 16MPa/10m	1	PC
122	9.038-661.3	Bumper K4-K5 PC	1	PC
123	9.002-481.0	Docking station complete FC	1	PC
125	9.086-221.0	Screw ATF 4.1x22	10	PC
126	7.303-026.0	Screw 4x16 -A2-70 (In6Rd)	8	PC
127	9.002-447.0	Spare part Handle FC packed	1	PC
128	6.465-031.0	Connection 3/4	1	PC
129	9.086-203.0	Screw 4x22	2	PC
130	5.317-896.0	Bolt stand foot	2	PC
131	9.002-438.0	Wheel in pairs FC 1K D160	1	PC
132	9.038-666.3	Holder Gun K5 SCR	1	PC
135	9.038-662.3	Panel Front K5 SCR	1	PC
136	9.002-435.0	Accessory net	1	PC
137	9.002-445.0	Top Panel FC spare part packed	1	PC
901	9.038-444.0	Yellow cover FC 1K wheel D160	2	PC
902	4.100-816.0	Spare parts set support logo K5	1	PC



10 G 180 Q Smart Control (2.644-270.0)

---

<b>POS</b>	<b>Article no.</b>	<b>Description</b>	<b>Quantity</b>	<b>Unit</b>
1	2.885-476.0	Spare part set cover battery G 160 Q Ful	1	PC
2	5.332-464.0	Pressure spring	1	PC
3	4.762-617.3	Electric box G 180 Q SC *EU	1	PC



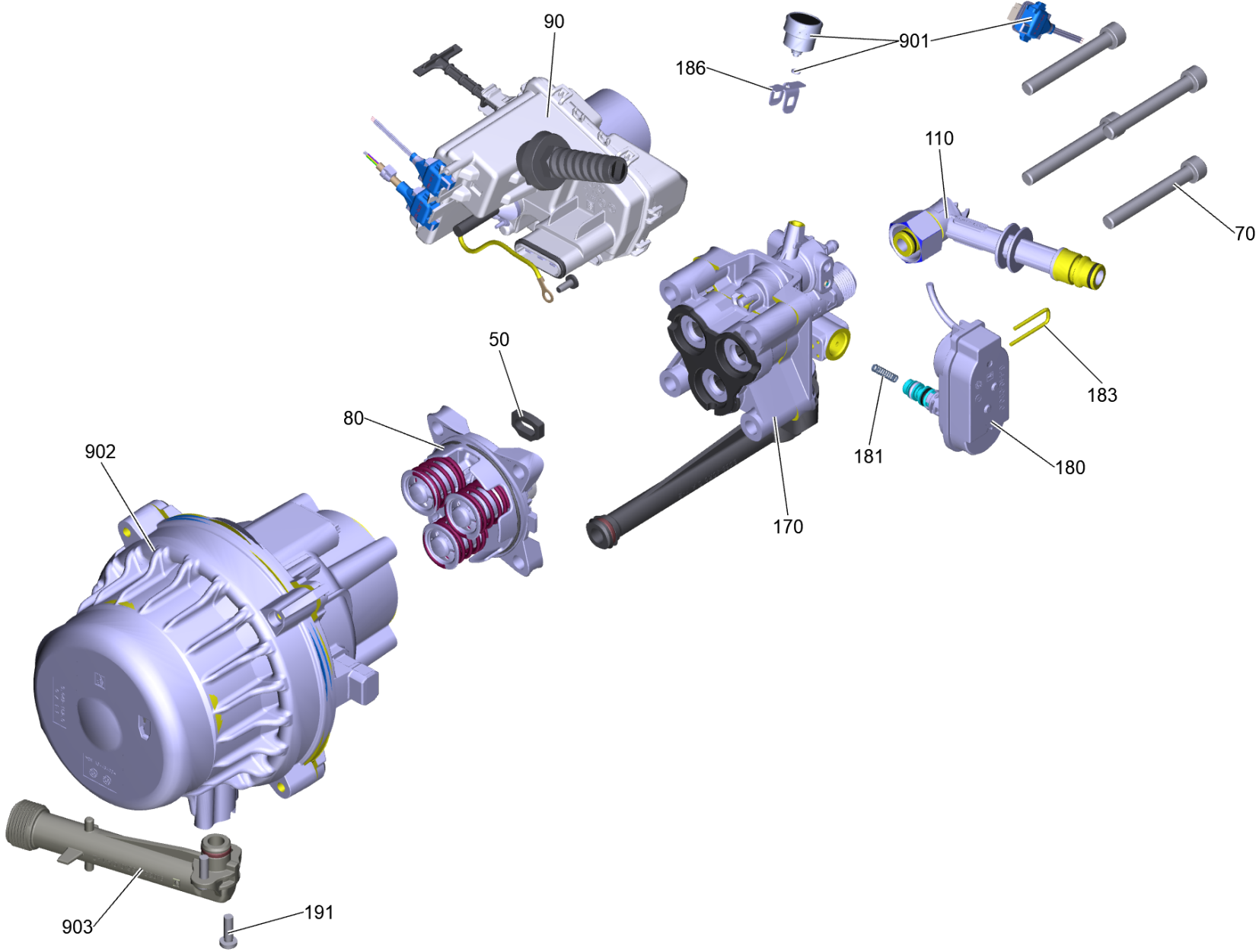
11 MJ 145 3-in-1 Multi Jet Full Control (2.643-906.0)

---

<b>POS</b>	<b>Article no.</b>	<b>Description</b>	<b>Quantity</b>	<b>Unit</b>
9500	2.640-729.0	O-Ring seal set	1	PC

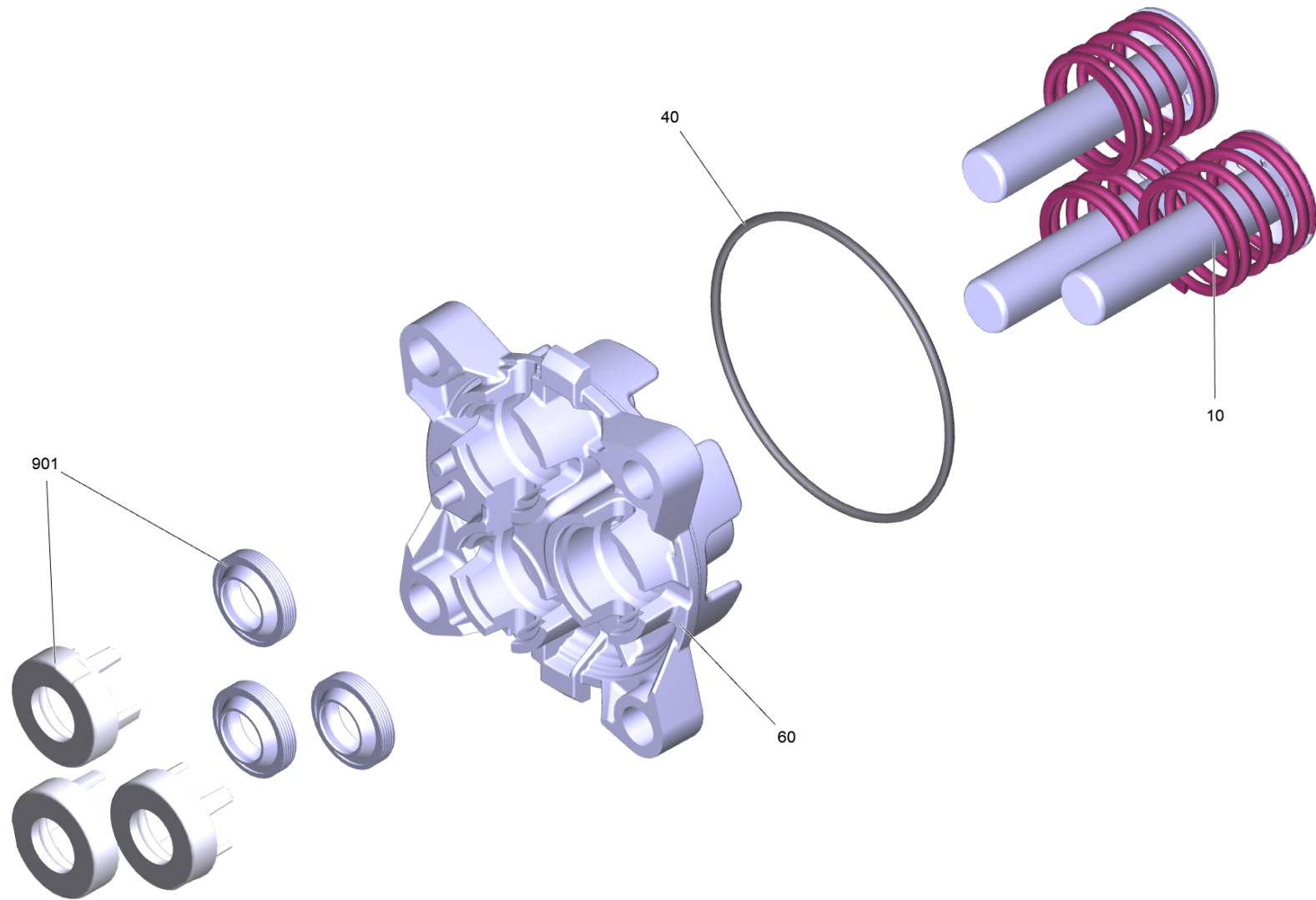
---





109 Pump set complete K5 Prem.SCR Plus\*EU

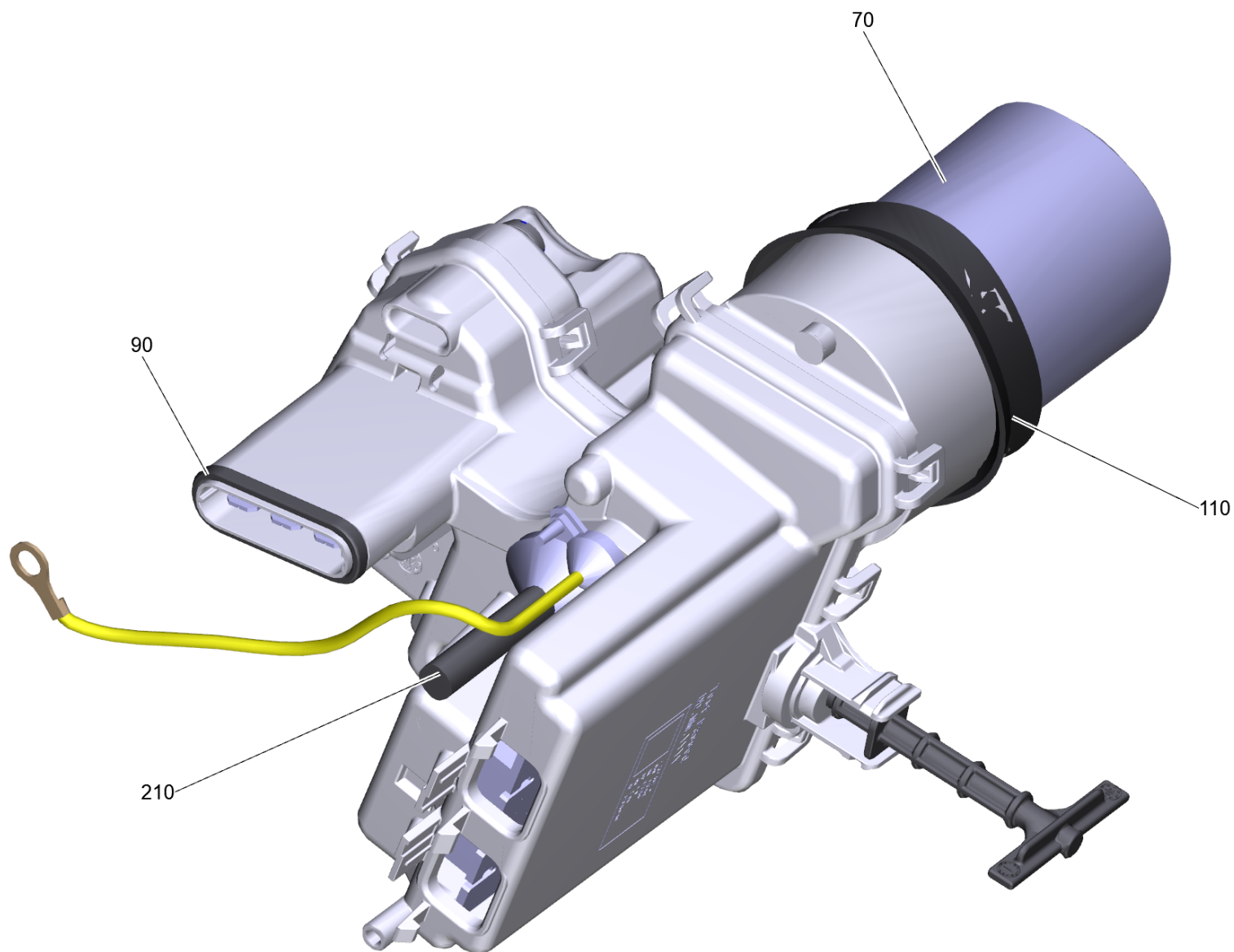
POS	Article no.	Description	Quantity	Unit
50	9.048-071.0	Spacer - Seal	1	PC
70	7.306-151.0	Cylinder head screw M8x65 -8.8-A2E ISO4	4	PC
80		Thrust guidance FC/SCR K5	1	PC
90	9.013-647.3	Electrical housing K5 SC Plus *EU	1	PC
110	9.013-435.0	HP inner fitting K5 FC Al	1	PC
170		Pump complete Alu FC Plus	1	PC
180	6.440-000.3	Lifting drive complete	1	PC
181	5.333-215.0	Pressure spring by-pass	1	PC
183	5.048-048.0	Clamp	1	PC
186	5.048-047.0	Clamp pressure sensor	1	PC
191	7.306-394.0	Screw M5x12-8.8-ZNBHL ISO14583	2	PC
901	4.100-818.0	Spare parts set sensor cpl.	1	PC
902	4.100-819.0	Motor cpl. for replacement	1	PC
903	9.002-432.0	Suction connection cpl FC + filter	1	PC



## 80 Thrust guidance FC/SCR K5

---

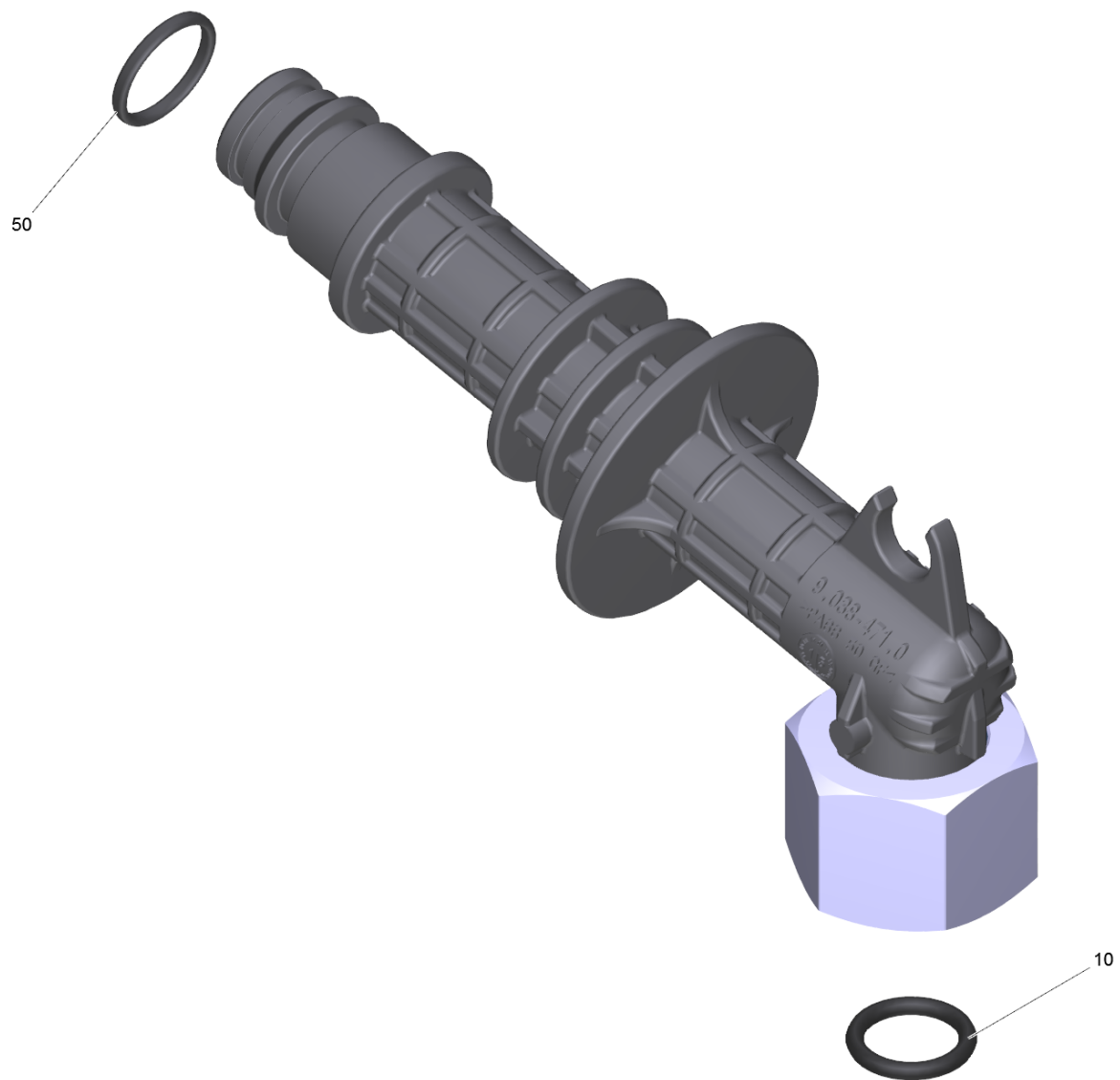
<b>POS</b>	<b>Article no.</b>	<b>Description</b>	<b>Quantity</b>	<b>Unit</b>
10	9.001-927.0	Piston complete	3	PC
40	9.080-425.0	O-Ring seal 60 x 2 NBR 70	1	PC
60	9.042-151.0	Pistons guide pump K5 FC machined	1	PC
901	4.100-832.0	Spare parts set seals	1	PC



90 Electrical housing K5 SC Plus \*EU (9.013-647.3)

---

<b>POS</b>	<b>Article no.</b>	<b>Description</b>	<b>Quantity</b>	<b>Unit</b>
70	9.085-077.0	Capacitor 30μF	1	PC
90	9.080-494.0	OR 20x2 EPDM70ShA PTFE	1	PC
110	9.080-465.0	Joint ring capacitor d.45, 70 Shore	1	PC
210	9.084-369.3	Power cable 3G1 FC EU	1	PC

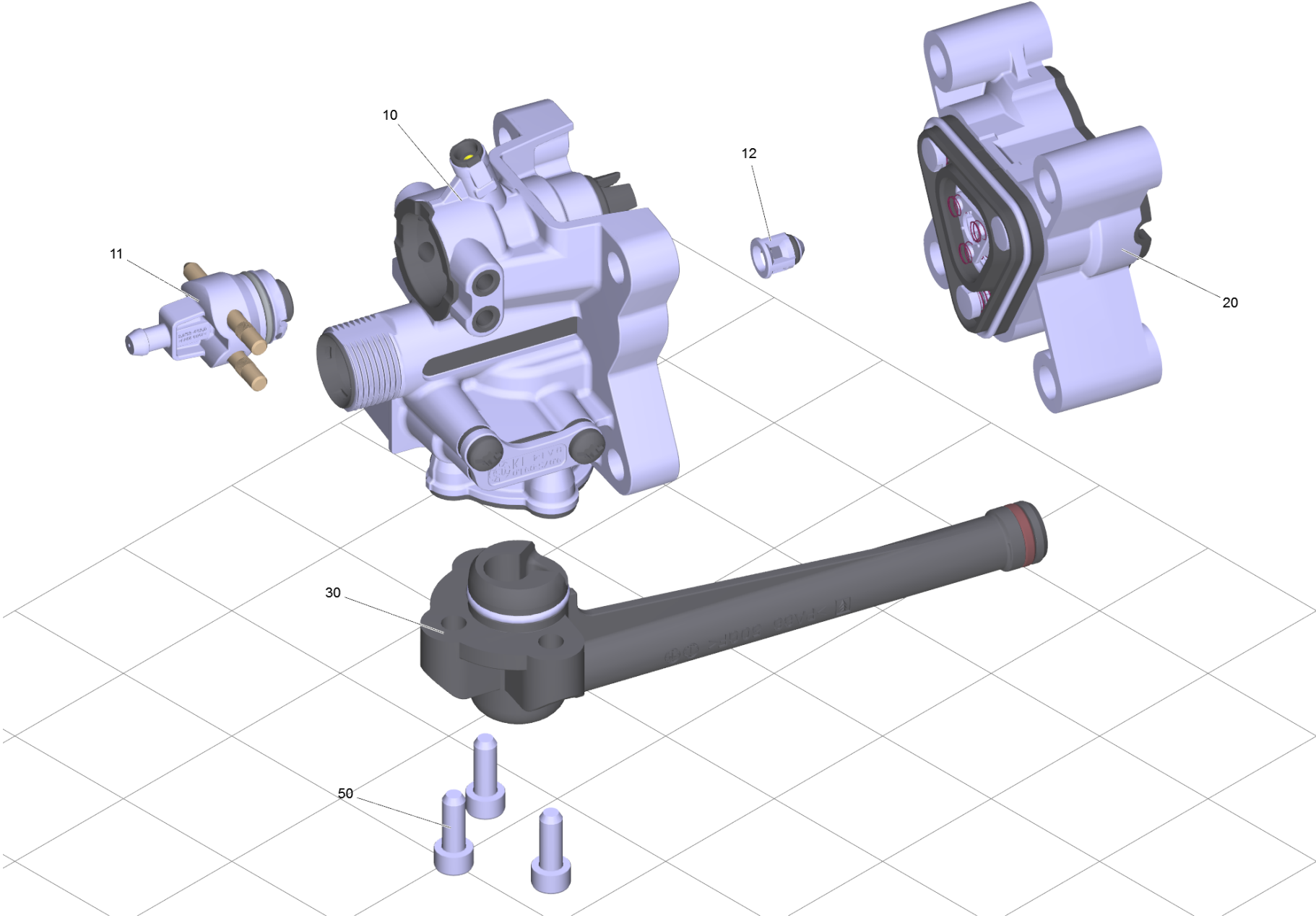


110 HP inner fitting K5 FC AI (9.013-435.0)

---

POS	Article no.	Description	Quantity	Unit
10	6.362-151.0	O-Ring d. 10 x 2 NBR 70	1	PC
50	9.080-422.0	O-RING 11,5X1,5 NBR 70	1	PC

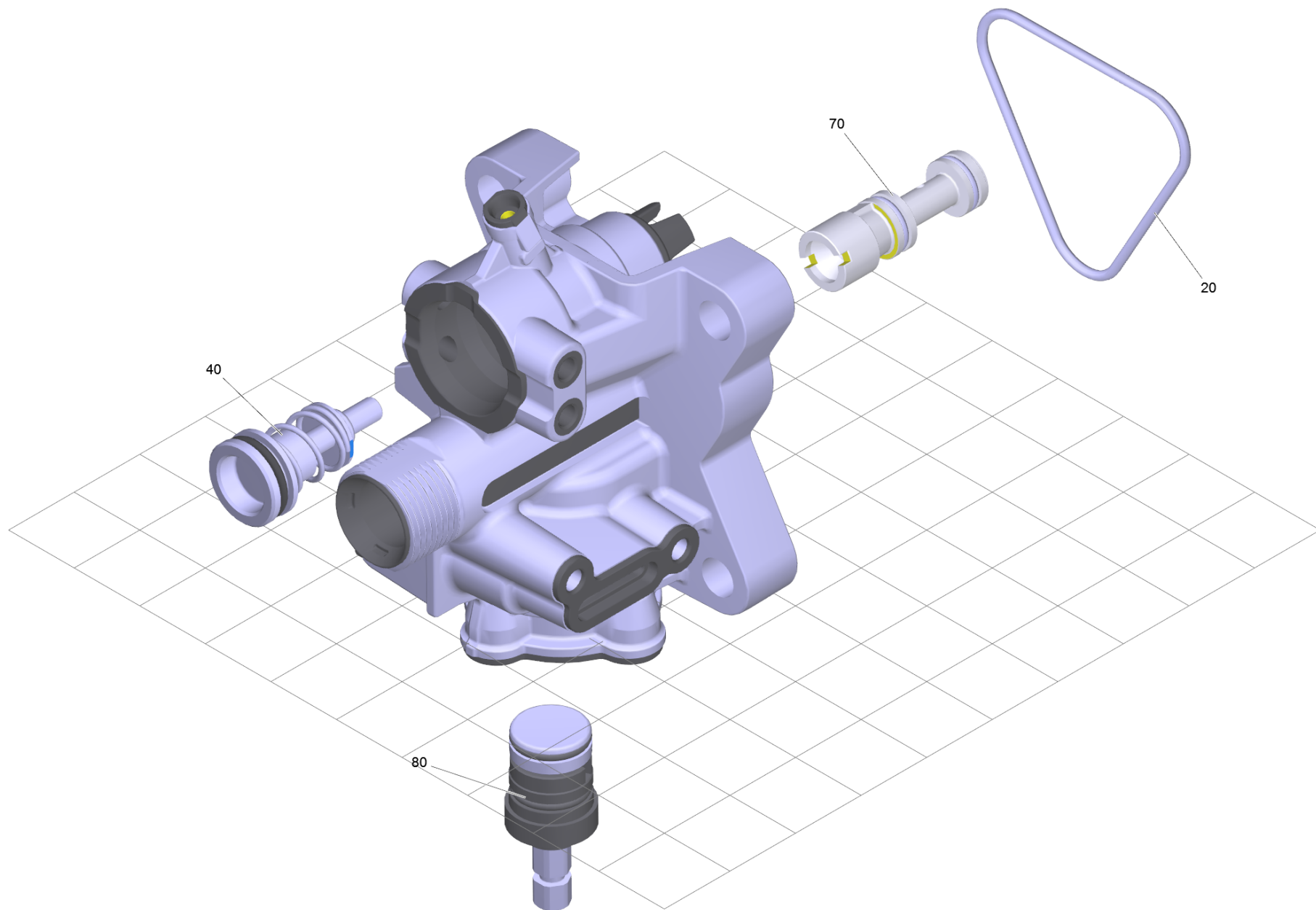




## 170 Pump complete Alu FC Plus

---

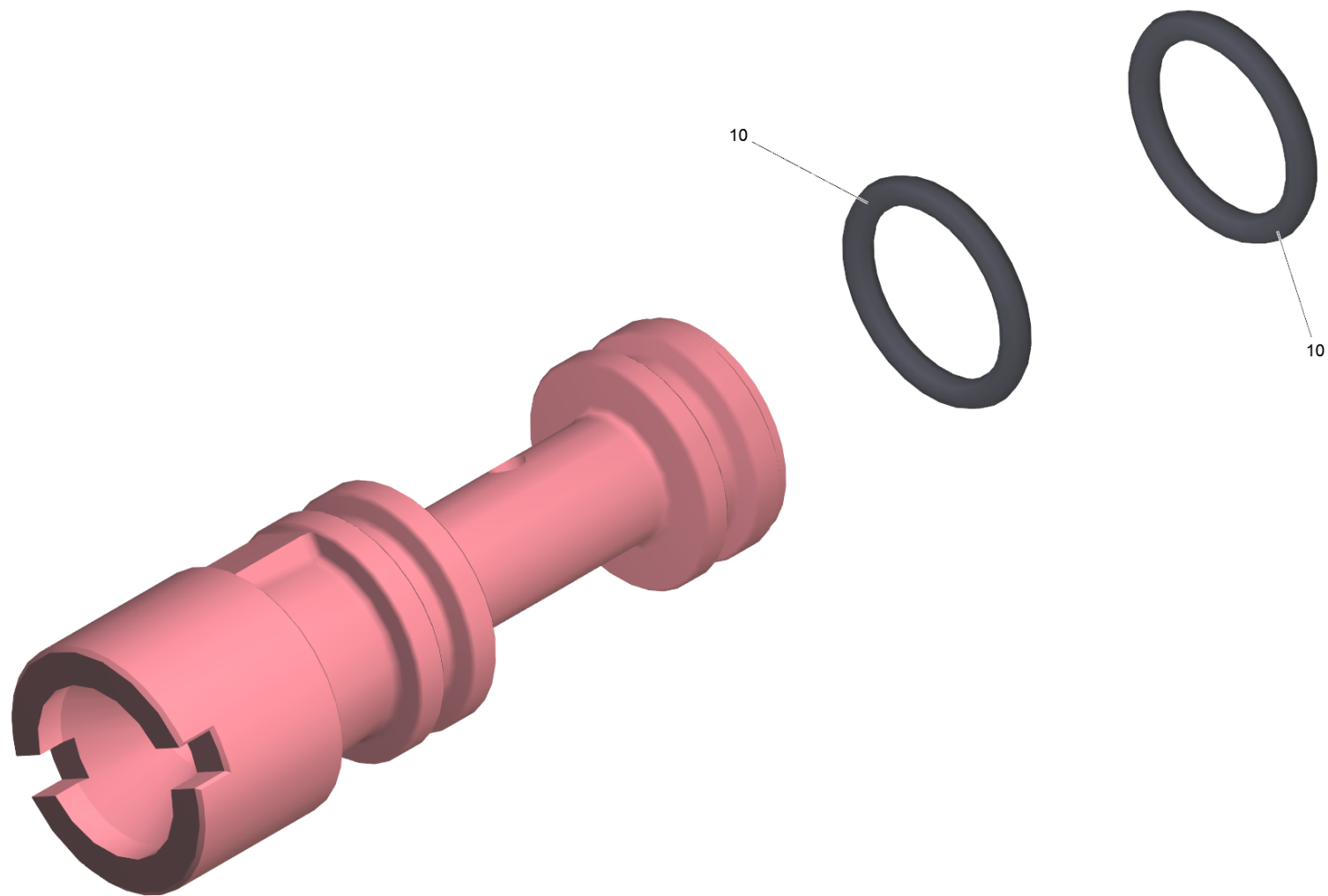
<b>POS</b>	<b>Article no.</b>	<b>Description</b>	<b>Quantity</b>	<b>Unit</b>
10	9.002-463.0	Spare part set control head	1	PC
11	9.002-464.0	Spare parts set chemistry	1	PC
12	4.584-022.0	Valve pin complete	1	PC
20	9.002-456.0	Pump head Alu FC ric	1	PC
30	9.013-346.0	Manifold fitting K5 FC kpl	1	PC
50	9.086-199.0	Screw M6x16	3	PC



10 Spare part set control head (9.002-463.0)

---

<b>POS</b>	<b>Article no.</b>	<b>Description</b>	<b>Quantity</b>	<b>Unit</b>
20	9.081-424.0	Form seal	1	PC
40	9.002-441.0	Pressure piston K5 FC	1	PC
70	9.002-466.0	Injector cleaning agents complete	1	PC
80	9.002-164.0	plastic by pass (spare)	1	PC

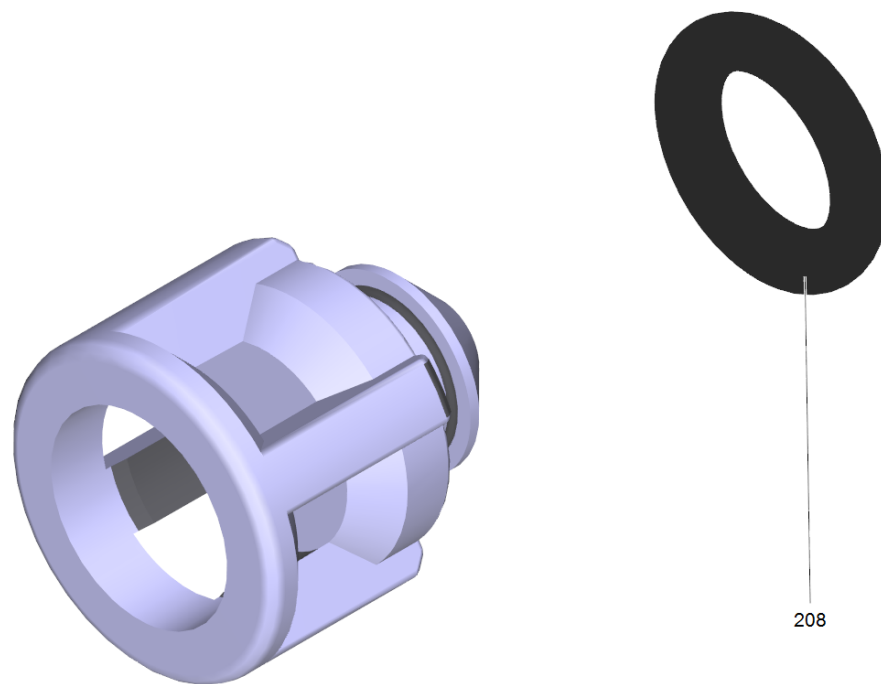


70 Injector cleaning agents complete (9.002-466.0)

---

<b>POS</b>	<b>Article no.</b>	<b>Description</b>	<b>Quantity</b>	<b>Unit</b>
10	9.080-472.0	O-ring 9 x 1,5 NBR 70	2	PC

---



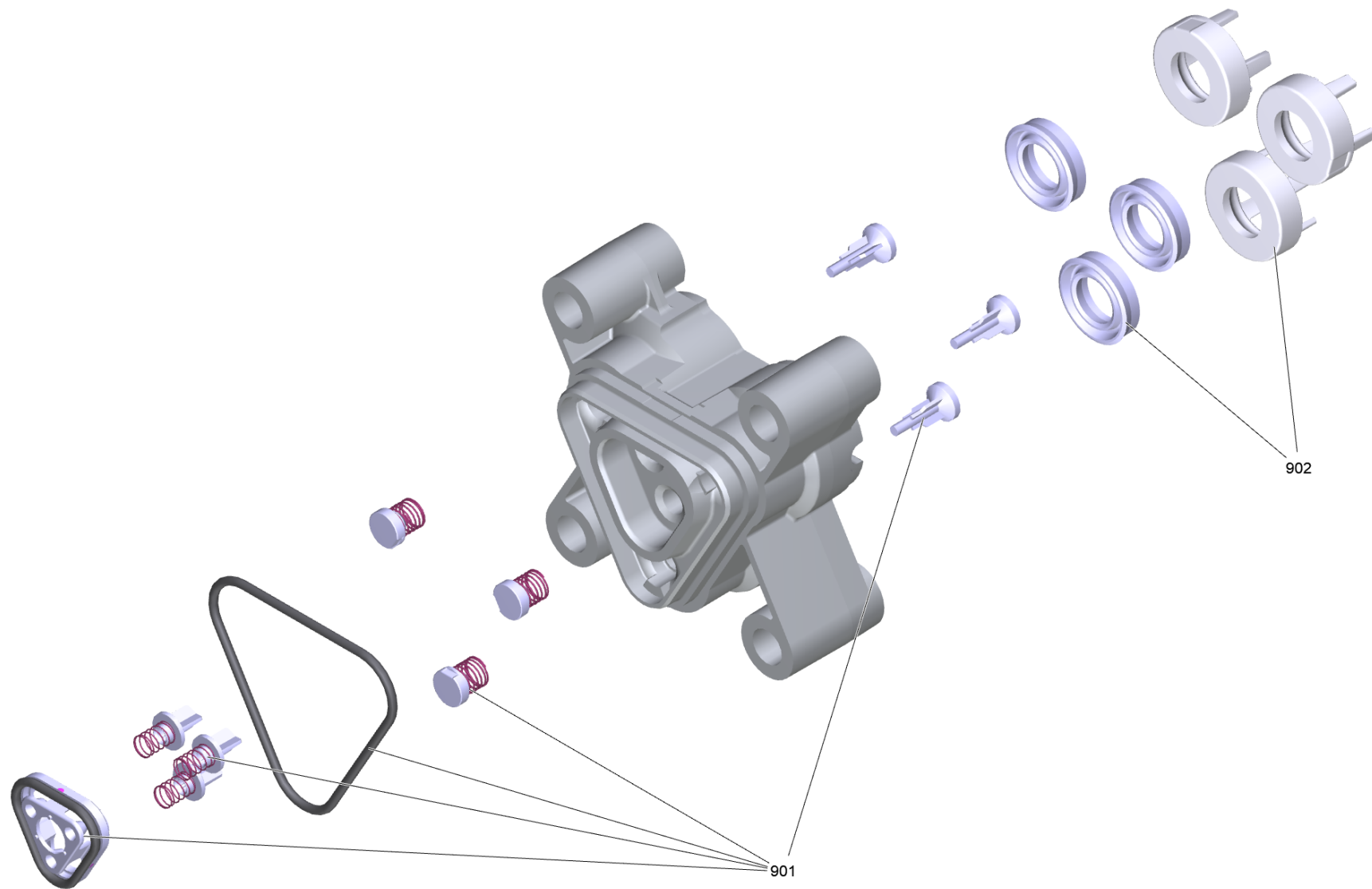
12 Valve pin complete (4.584-022.0)

---

<b>POS</b>	<b>Article no.</b>	<b>Description</b>	<b>Quantity</b>	<b>Unit</b>
208	6.363-613.0	O-Ring seal 4 x 2 -NBR90	1	PC

---

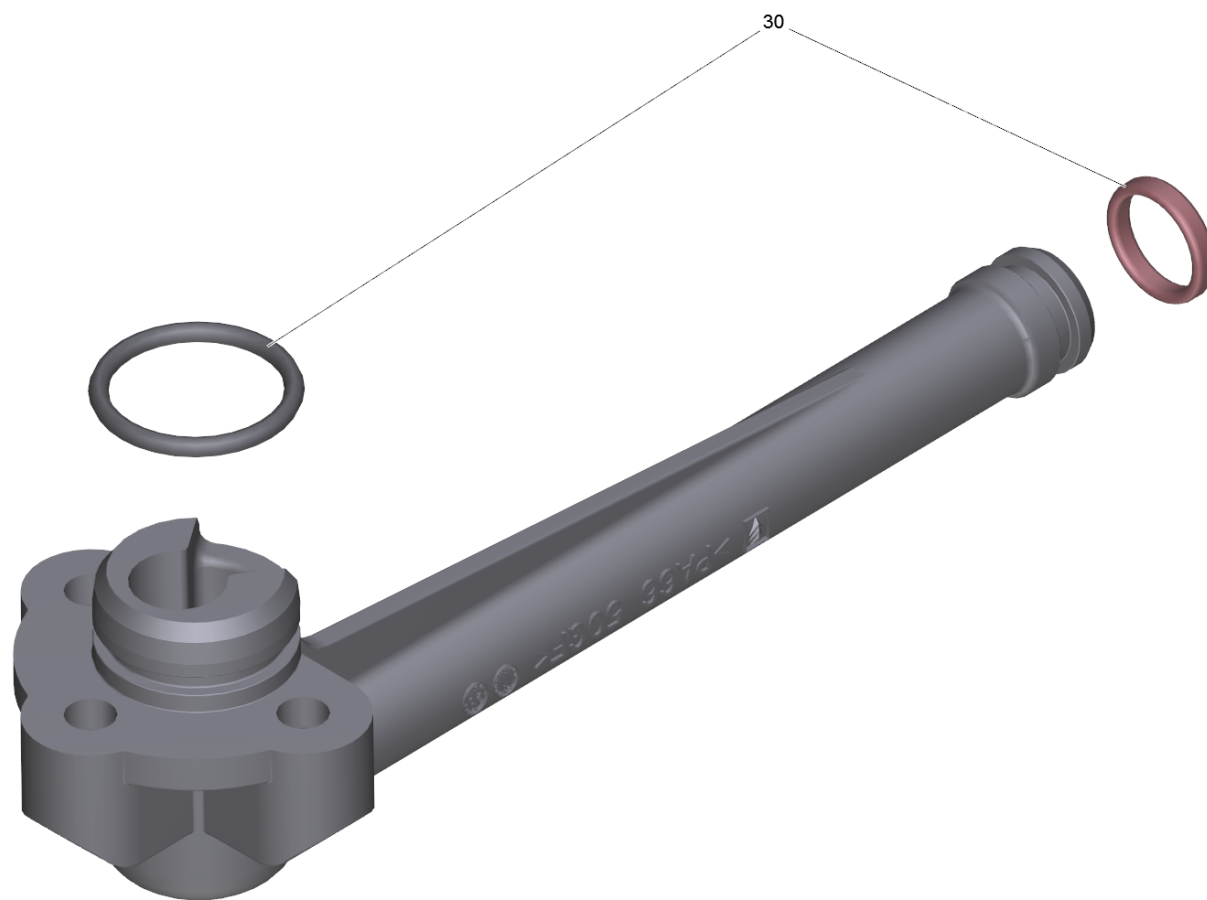




20 Pump head Alu FC ric (9.002-456.0)

---

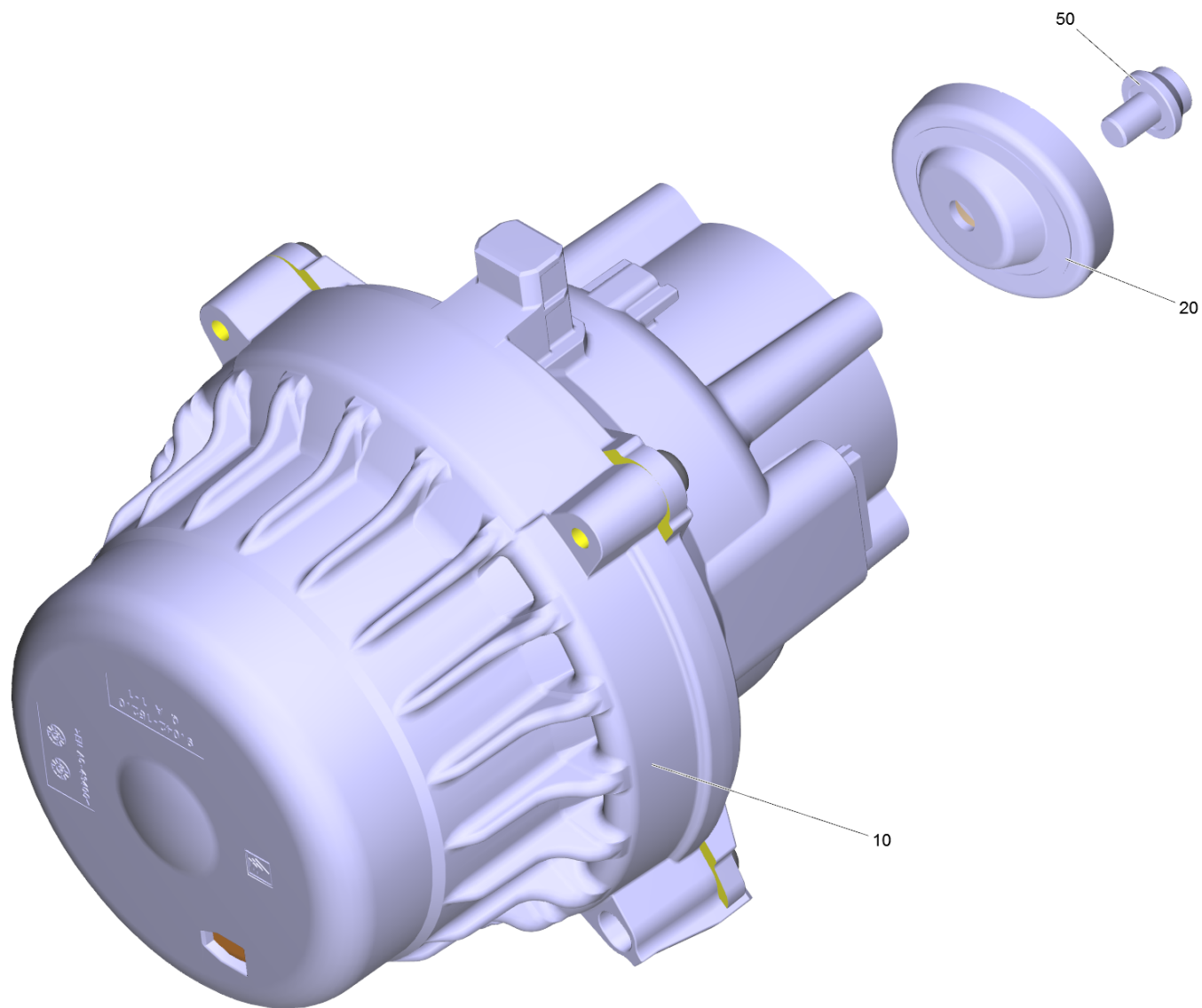
<b>POS</b>	<b>Article no.</b>	<b>Description</b>	<b>Quantity</b>	<b>Unit</b>
901	4.100-829.0	Spare parts set valves	1	PC
902	4.100-832.0	Spare parts set seals	1	PC



30 Manifold fitting K5 FC kpl (9.013-346.0)

---

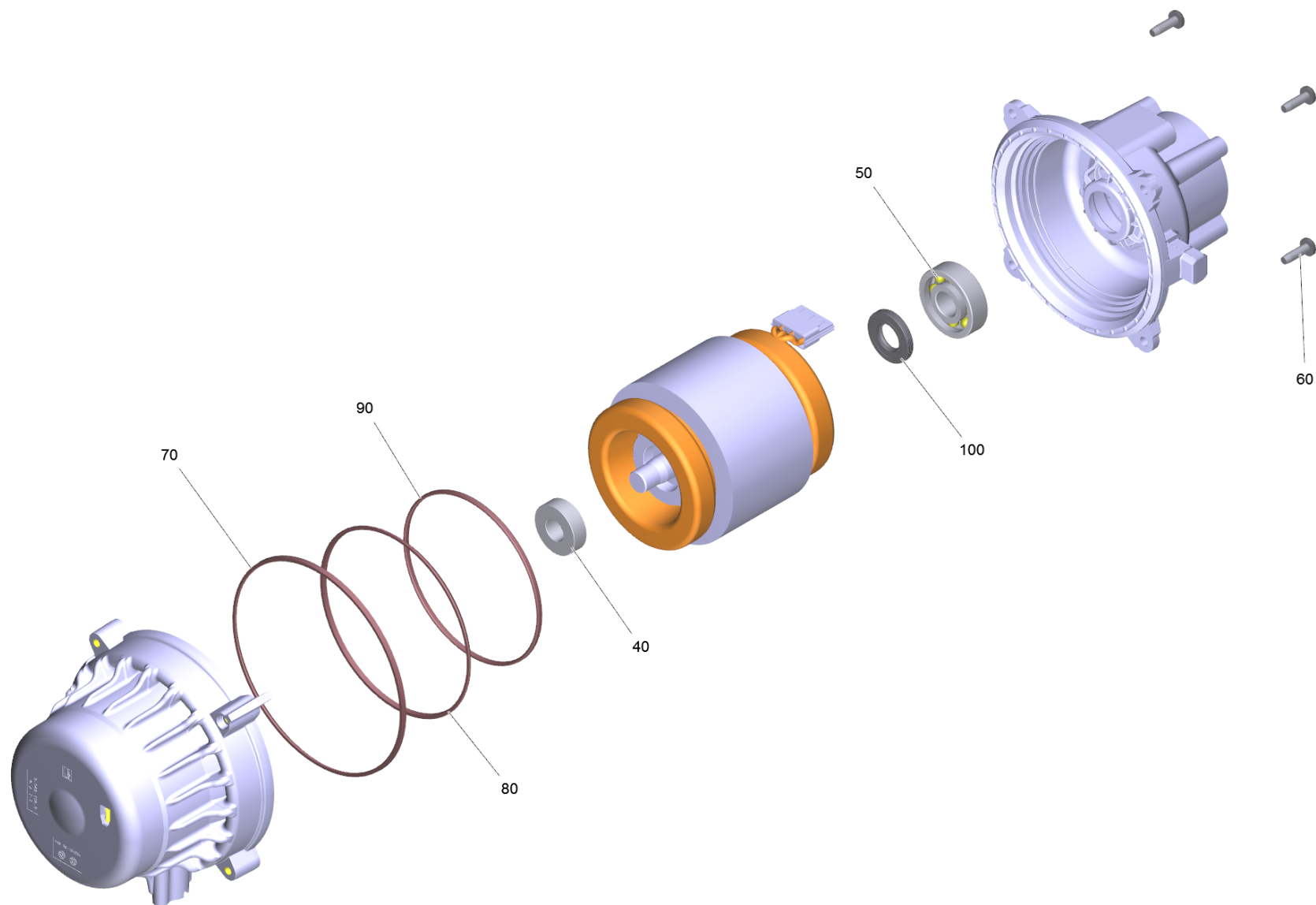
POS	Article no.	Description	Quantity	Unit
30	9.002-444.0	kIT O-ring Manifold fitting pump K5 FC	1	PC



902 Motor cpl. for replacement (4.100-819.0)

---

POS	Article no.	Description	Quantity	Unit
10		Motor completo K5 SCR EU	1	PC
20	4.100-820.0	Wobble plate cpl. 12°20'	1	PC
50	9.086-233.0	Screw wobble plate	1	PC

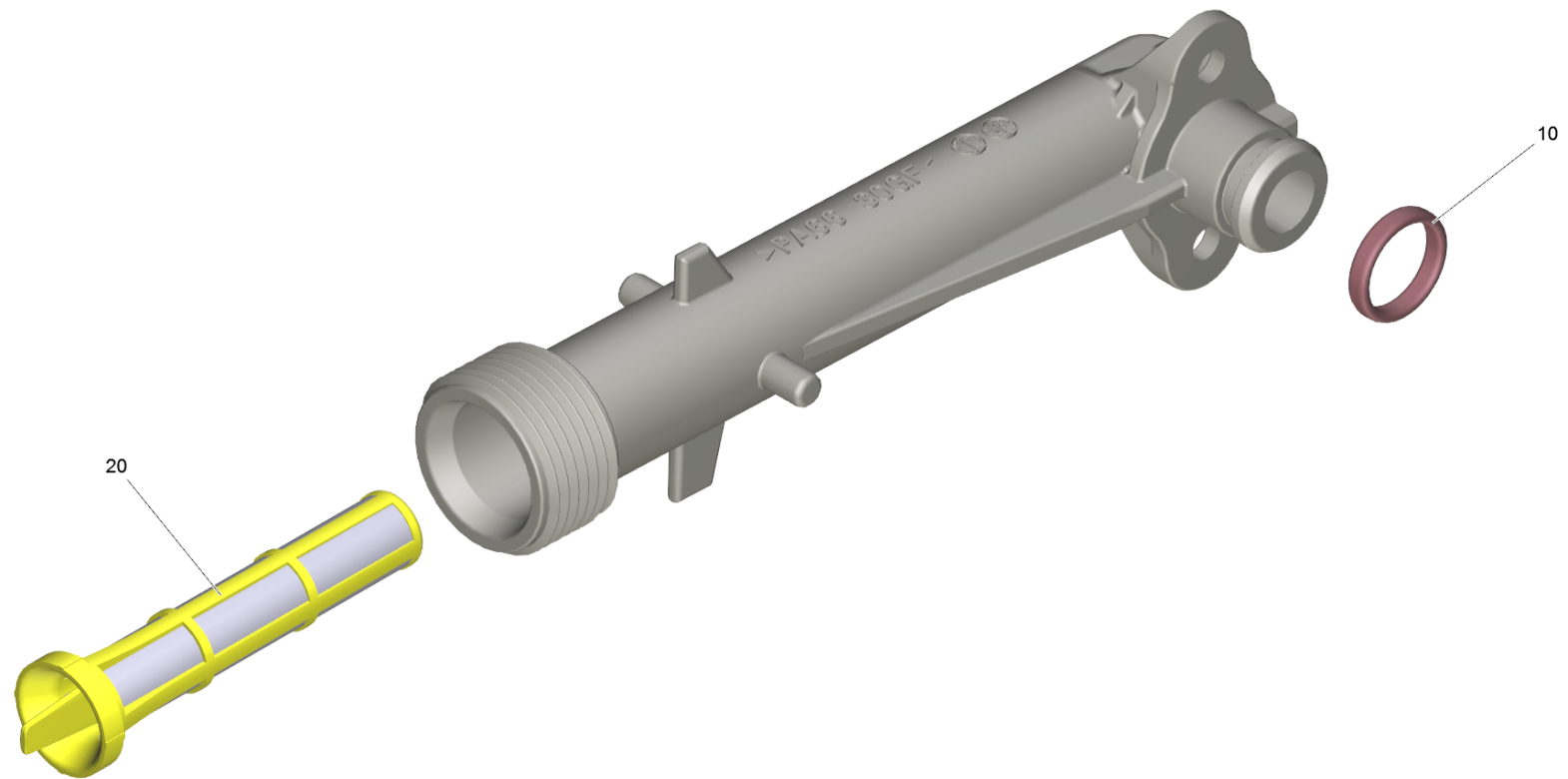


## 10 Motor completo K5 SCR EU

---

<b>POS</b>	<b>Article no.</b>	<b>Description</b>	<b>Quantity</b>	<b>Unit</b>
40	7.401-128.0	Ball bearing 6202-2RS -Wälzl.St DIN 625	1	PC
50	7.401-136.0	Ball bearing 6303 St DIN 625 17x47x14	1	PC
60	7.306-092.0	Screw M6x20-ST- 8.8-R3R (IN6RD)	4	PC
70	9.080-503.0	O-ring d.113,0x3.0 EPDM 70	1	PC
80	9.080-504.0	O-Ring seal 124x3 EPDM 70	2	PC
90	9.080-505.0	O-Ring seal 142.2x3 EPDM 70	1	PC
100	9.078-021.0	Grooved ring 17x35x5	1	PC

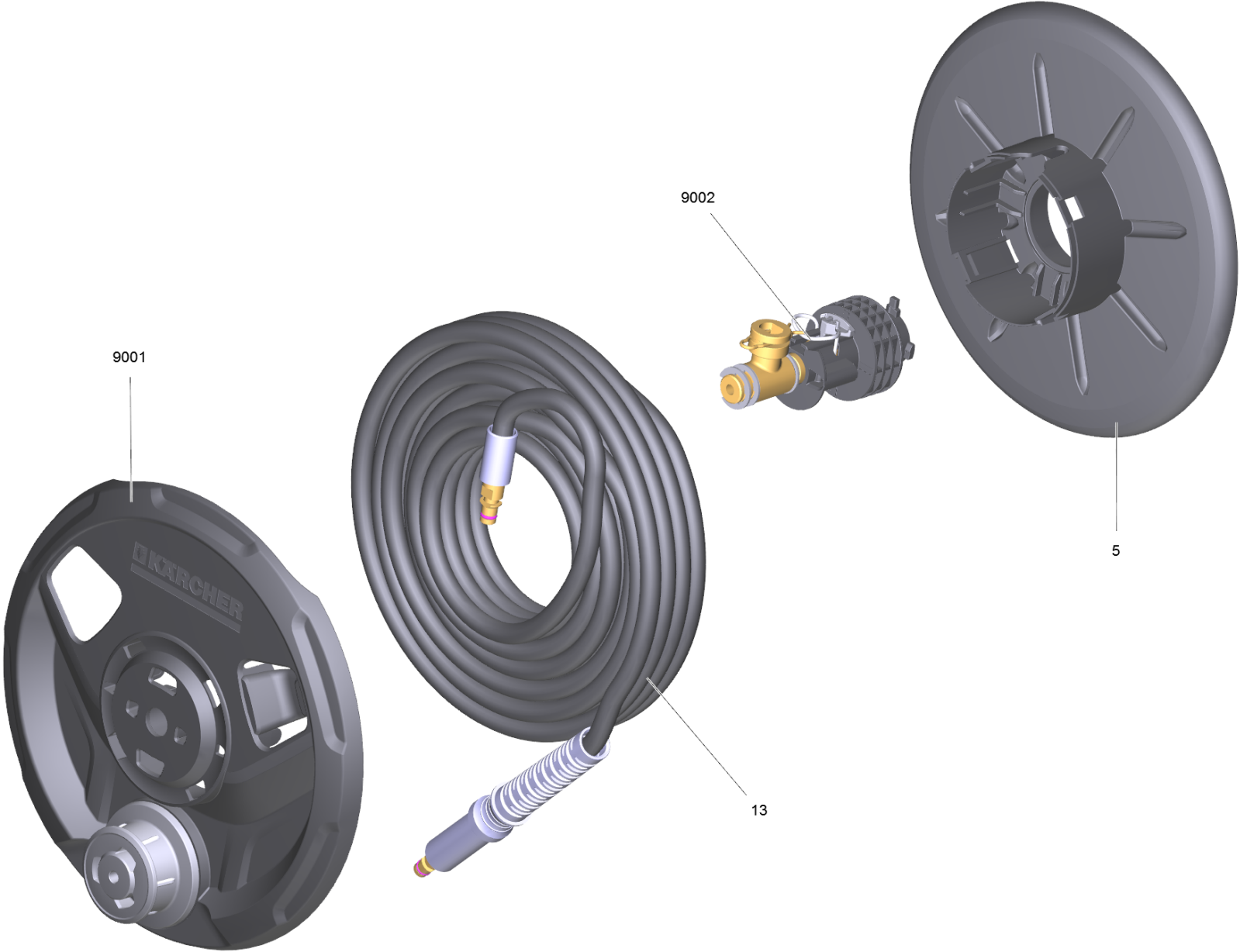




903 Suction connection cpl FC + filter (9.002-432.0)

---

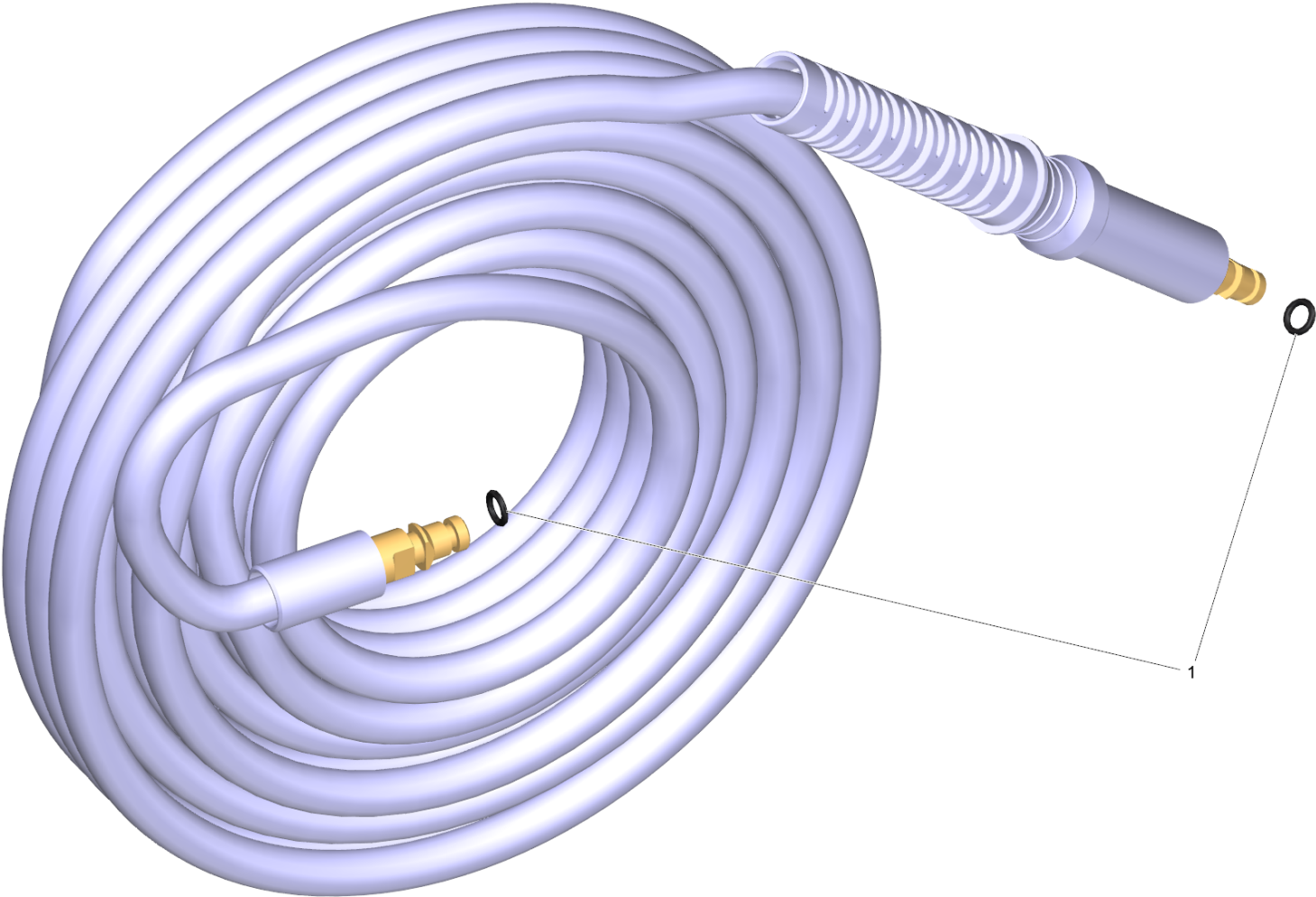
<b>POS</b>	<b>Article no.</b>	<b>Description</b>	<b>Quantity</b>	<b>Unit</b>
10	9.080-513.0	OR 12x2.1 EPDM 70 perox	1	PC
20	5.731-021.0	Fine filter K4/K5	1	PC



## 120 Hose reel FC 16MPa/10m

---

<b>POS</b>	<b>Article no.</b>	<b>Description</b>	<b>Quantity</b>	<b>Unit</b>
5	9.038-492.0	Hose reel FC internal disk	1	PC
13	6.396-555.0	High pressure hose 18MPa/12 60°C QC B	1	PC
9001	9.002-439.0	Kit handle+ hose reel external disk	1	PC
9002	9.002-440.0	Spare parts set hose reel	1	PC

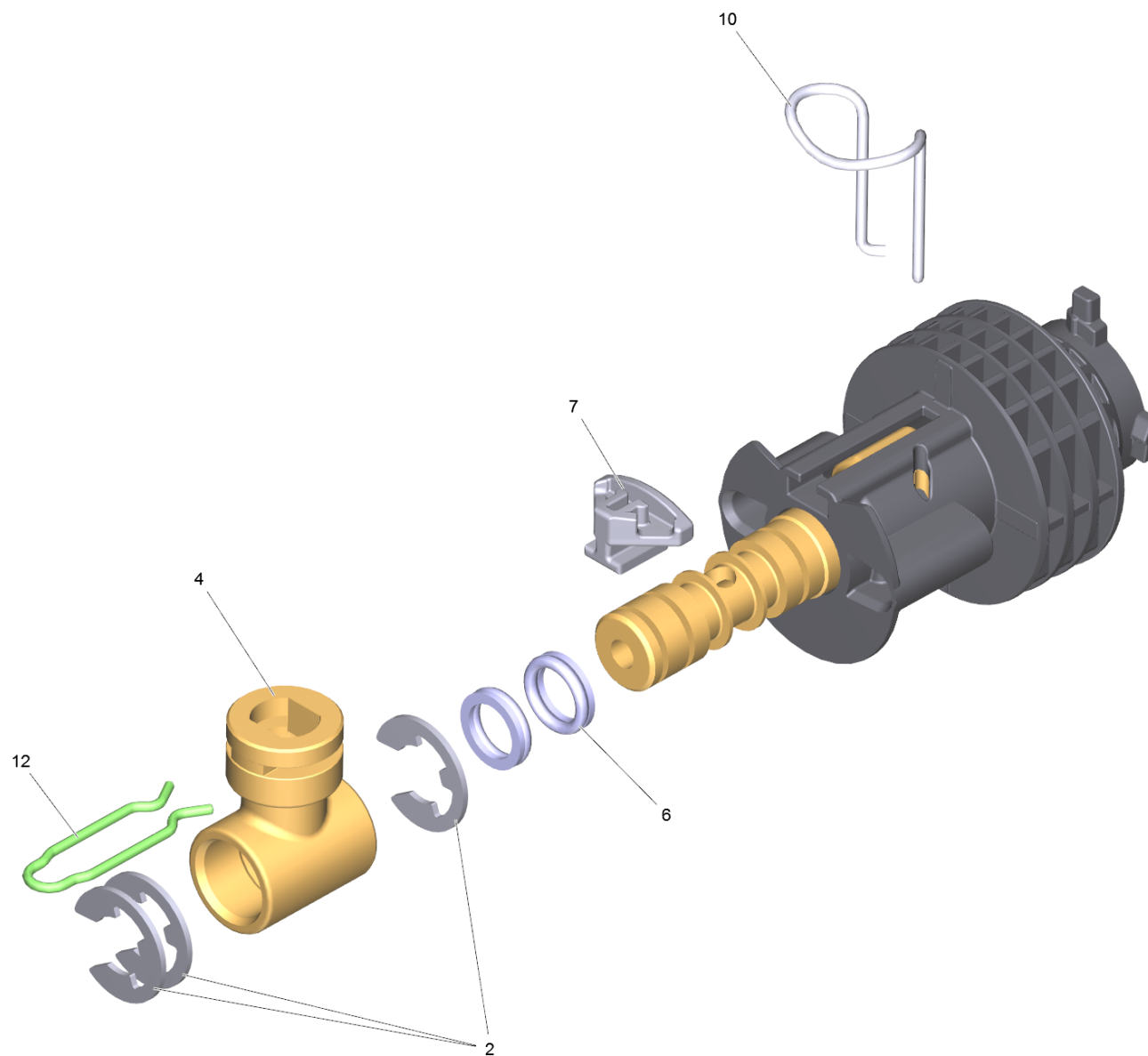


13 High pressure hose 18MPa/12 60°C QC B (6.396-555.0)

---

POS	Article no.	Description	Quantity	Unit
1	2.640-729.0	O-Ring seal set	1	PC

---

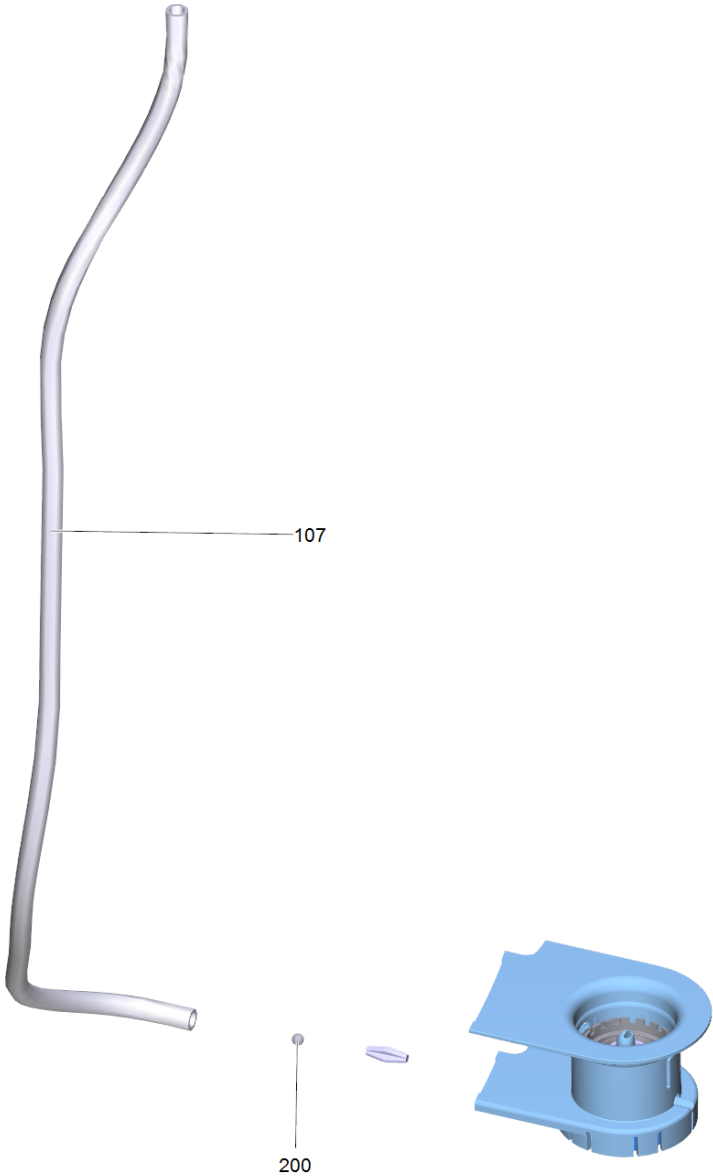


9002 Spare parts set hose reel (9.002-440.0)

---

<b>POS</b>	<b>Article no.</b>	<b>Description</b>	<b>Quantity</b>	<b>Unit</b>
2	7.343-306.0	Lock washer 12-St-A2E DIN 6799	3	PC
4	5.401-308.0	Rotary bushing	1	PC
6	6.363-628.0	O-Ring seal complete	1	PC
7	9.038-470.0	Hose reel FC QC Button	1	PC
10	9.047-117.0	Hose reel QC Clamp soft	1	PC
12	5.059-401.0	Clamp	1	PC

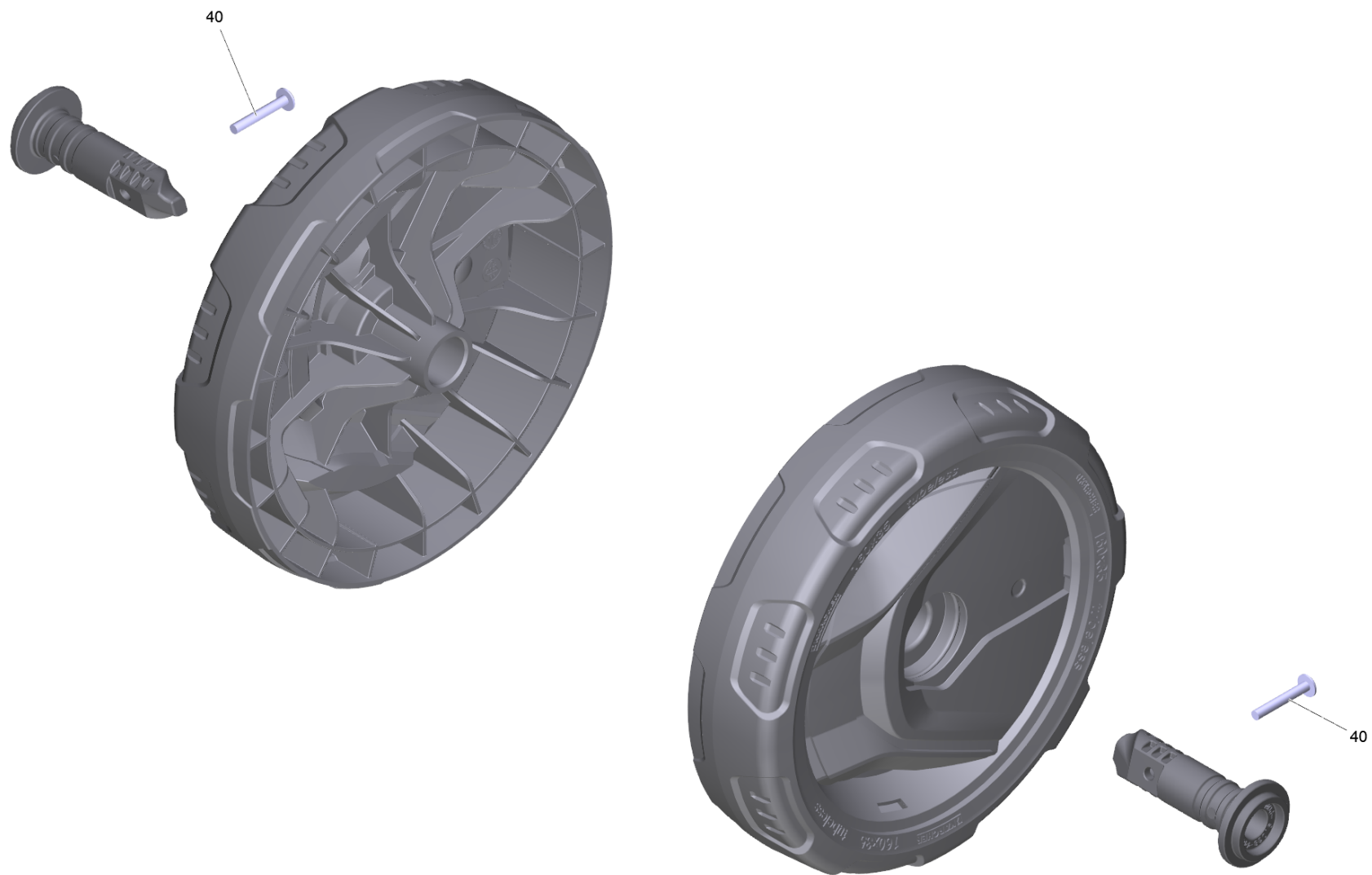




123 Docking station complete FC (9.002-481.0)

---

<b>POS</b>	<b>Article no.</b>	<b>Description</b>	<b>Quantity</b>	<b>Unit</b>	<b>Foot note text</b>
107	6.391-336.0	Hose	0,155	m	TO ORDER AS CUT GOODS
200	7.401-911.0	Sphere 4 -PP DIN 5401	1	PC	



131 Wheel in pairs FC 1K D160 (9.002-438.0)

---

<b>POS</b>	<b>Article no.</b>	<b>Description</b>	<b>Quantity</b>	<b>Unit</b>
40	9.086-221.0	Screw ATF 4.1x22	1	PC

---