

Spare parts list (1.766-305.0) S 650 Plus

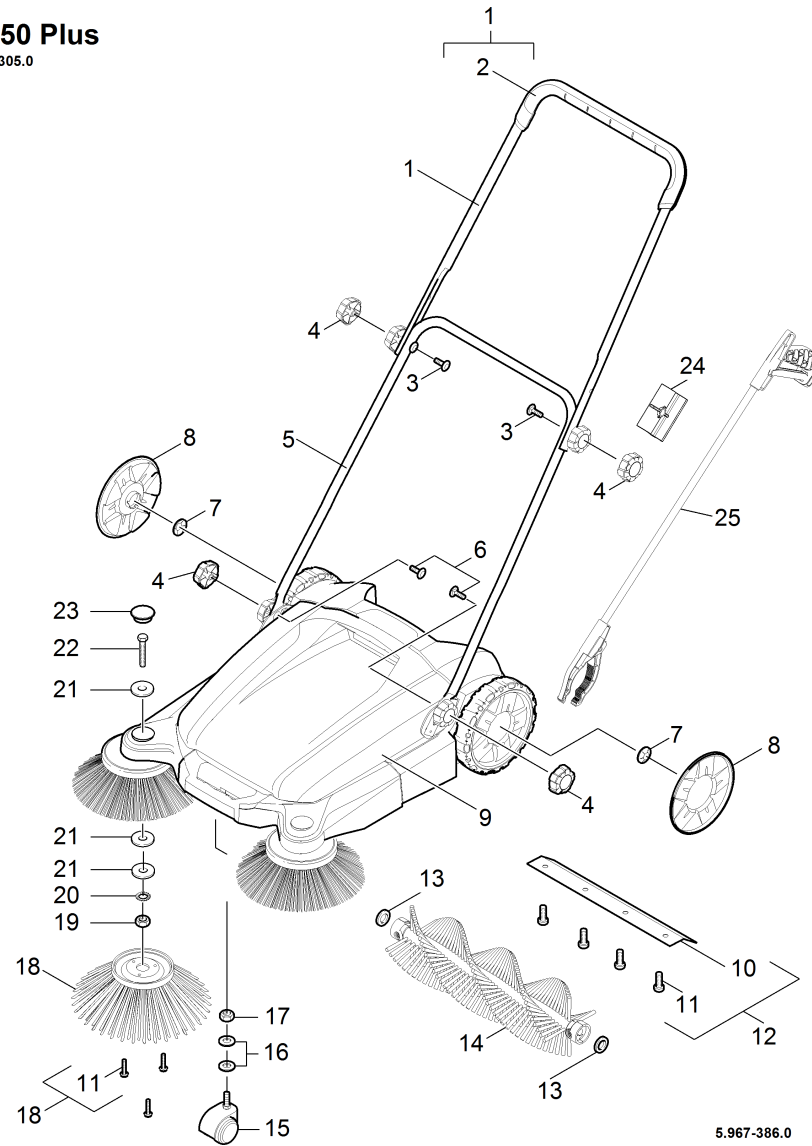
Table of contents

S 650 Plus (1.766-305.0)	3
10 Short spare parts list S 650 Plus	4
20 Spare parts list S 650 Plus (5.967-387.0)	6
10 Individual parts	7
20 Reversing rolling mill	9

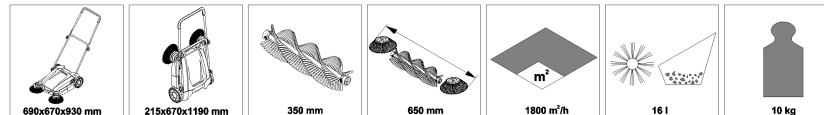
S 650 Plus (1.766-305.0)

POS	Article no.	Description	Quantity	Unit
10		Short spare parts list S 650 Plus	1.000	ST
20	5.967-387.0	Spare parts list S 650 Plus	1.000	ST

S 650 Plus
1.766-305.0



5.967-386.0
04.07.2016

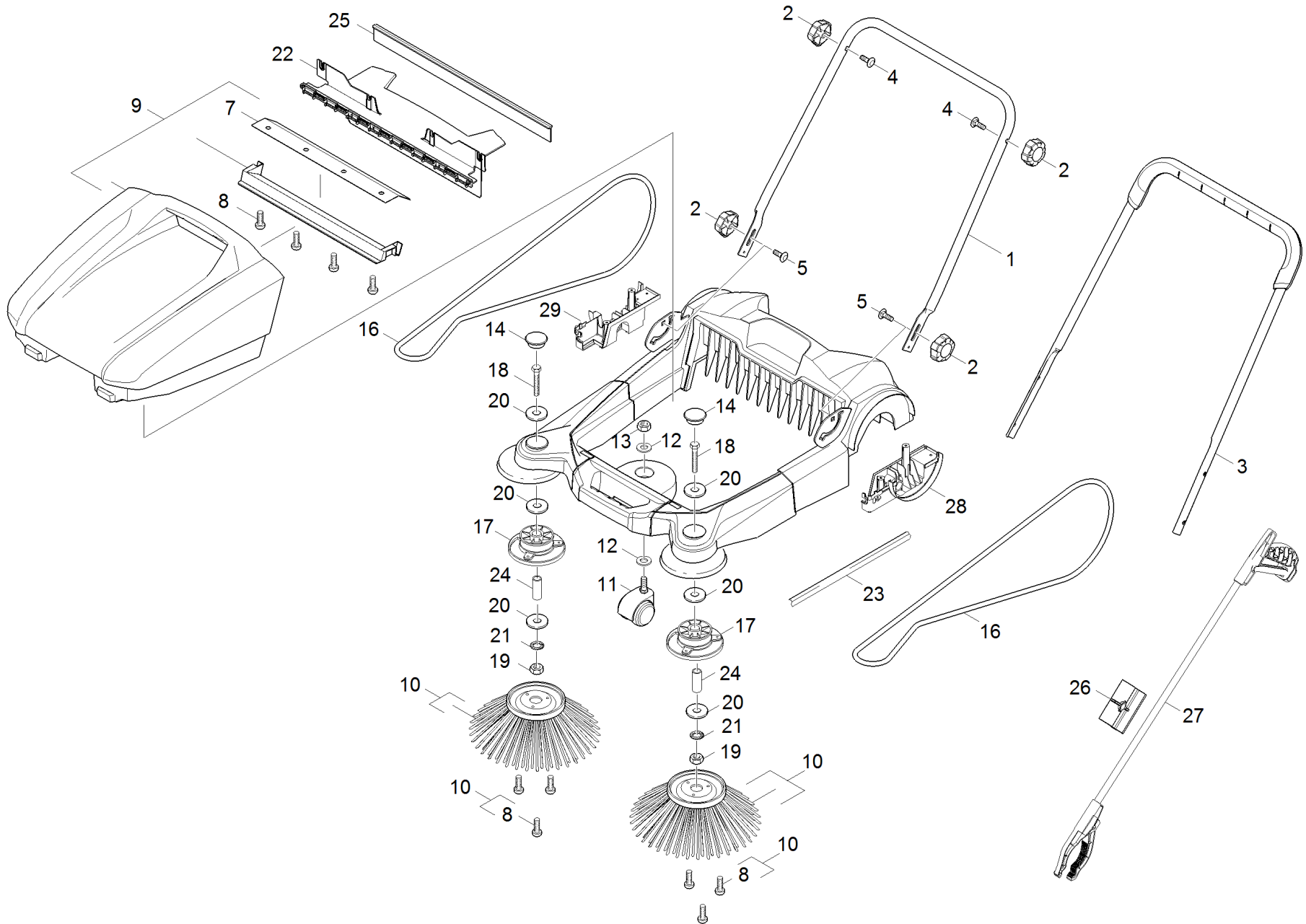


10 Short spare parts list S 650 Plus

POS	Article no.	Description	Quantity	Unit
1	4.034-145.0	Shearing shackle long complete S 650	1.000	ST
2		Handhold few S 650	1.000	ST
3	7.303-008.0	Saucer-head screw M 8x35-ST-A0P DIN 603	2.000	ST
4	5.321-800.0	Handle	4.000	ST
5	4.034-143.0	Shearing shackle short	1.000	ST
6	6.303-498.0	Saucer-head screw M8x25	1.000	ST
7	6.343-180.0	Quick-fastener	2.000	ST
8	5.515-286.0	Wheel cap	2.000	ST
9	2.884-970.0	Spare parts set sweep tank neutrally	1.000	ST
10	5.032-984.0	Ground lip	1.000	ST
11	7.303-106.0	Screw 4x12 -10.9-R2R (IN6RD)	7.000	ST
12	2.884-970.0	Spare parts set sweep tank neutrally	1.000	ST
13	7.312-008.0	Washer 12-200HV-A3E ISO 7089	2.000	ST
14	4.032-018.0	Reversing rolling mill complete	1.000	ST
15	6.435-130.0	Castor D 50 mm	1.000	ST
16	7.312-285.0	Washer 10 -200HV-A2E ISO7093-1	1.000	ST
17	7.311-202.0	Hexagon nut M10-04-A2E ISO 4035	1.000	ST
18	2.884-971.0	Spare parts set side broom	1.000	ST
19	7.311-004.0	Hexagon nut M8 -8-A3E ISO 4032	1.000	ST
20	7.312-233.0	Serrated lock washer A8,4-FSt-A3E DIN67	1.000	ST
21	7.312-004.0	Washer 8 -200HV-A3E ISO 7089	3.000	ST
22	7.304-031.0	Hexagonal head screw M8x55-8.8-A2E ISO	1.000	ST
23	6.387-996.0	Cap	1.000	ST
24	5.034-197.0	Fastening clip	1.000	ST
25	6.370-012.0	Gripper	1.000	ST

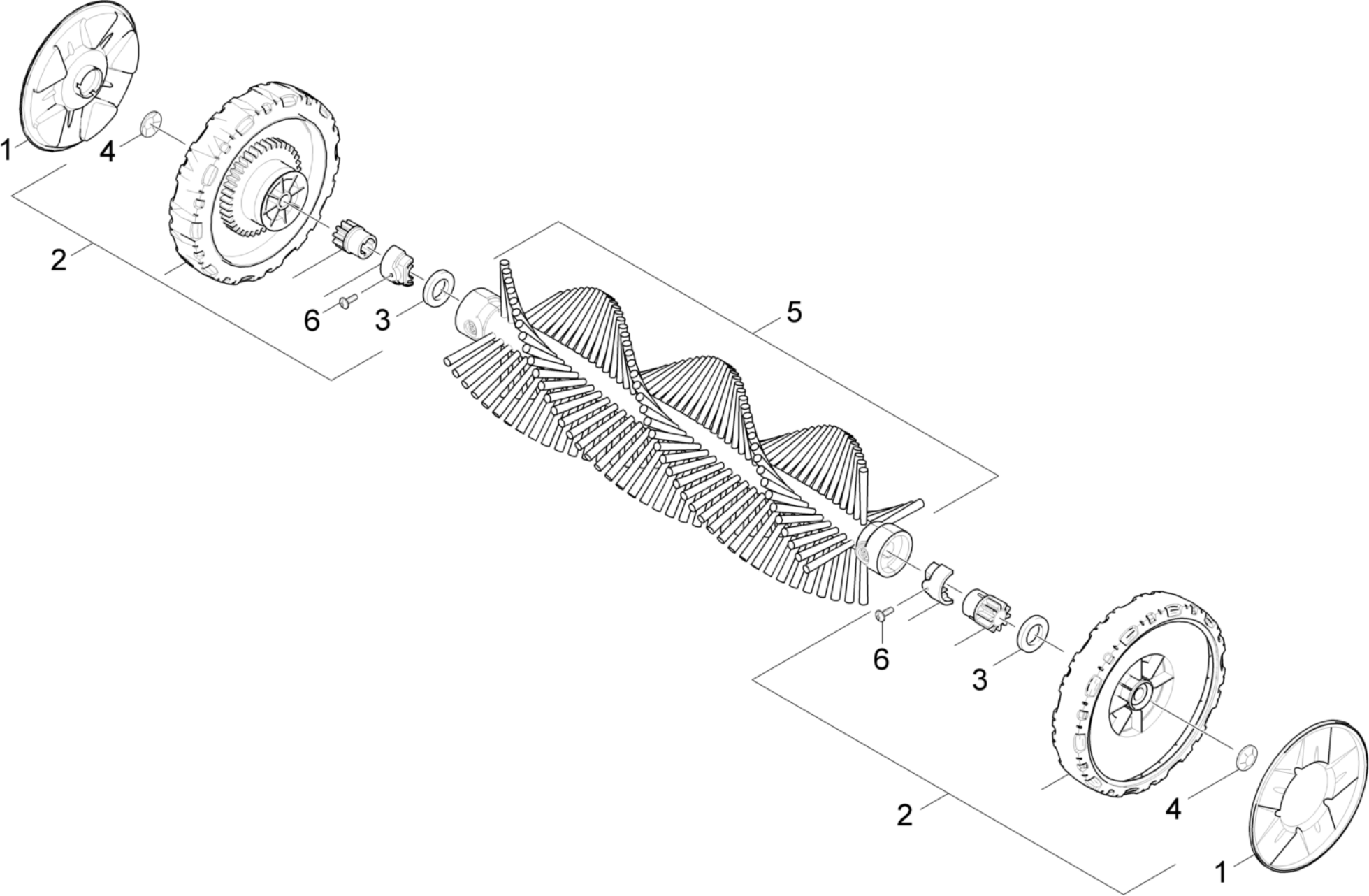
20 Spare parts list S 650 Plus (5.967-387.0)

POS	Description	Quantity	Unit
10	Individual parts	1.000	ST
20	Reversing rolling mill	1.000	ST



10 Individual parts

POS	Article no.	Description	Quantity	Unit
1	4.034-143.0	Shearing shackle short	1.000	ST
2	5.321-800.0	Handle	4.000	ST
3	4.034-145.0	Shearing shackle long complete S 650	1.000	ST
4	7.303-008.0	Saucer-head screw M 8x35-ST-A0P DIN 603	2.000	ST
5	6.303-498.0	Saucer-head screw M8x25	2.000	ST
7	5.032-984.0	Ground lip	1.000	ST
8	7.303-106.0	Screw 4x12 -10.9-R2R (IN6RD)	10.000	ST
9	2.884-970.0	Spare parts set sweep tank neutrally	1.000	ST
10	2.884-971.0	Spare parts set side broom	2.000	ST
11	6.435-130.0	Castor D 50 mm	1.000	ST
12	7.312-285.0	Washer 10 -200HV-A2E ISO7093-1	2.000	ST
13	7.311-202.0	Hexagon nut M10-04-A2E ISO 4035	1.000	ST
14	6.387-996.0	Cap	2.000	ST
16	6.363-012.0	Round belt EPDM 70	1.000	ST
17	5.032-981.0	Belt pulley for side broom	2.000	ST
18	7.304-031.0	Hexagonal head screw M8x55-8.8-A2E ISO	2.000	ST
19	7.311-004.0	Hexagon nut M8 -8-A3E ISO 4032	2.000	ST
20	7.312-004.0	Washer 8 -200HV-A3E ISO 7089	6.000	ST
21	7.312-233.0	Serrated lock washer A8,4-FSt-A3E DIN67	2.000	ST
22	5.057-950.0	Holder for rear skirting	1.000	ST
23	6.365-371.0	Profile gasket	1.000	M
24	5.129-091.0	Tube for side broom	2.000	ST
25	5.032-980.0	Rear skirting	1.000	ST
26	5.034-197.0	Fastening clip	1.000	ST
27	6.370-012.0	Gripper	1.000	ST
28	5.032-977.0	Axle drum left	1.000	ST
29	5.032-979.0	Axle drum right	1.000	ST



20 Reversing rolling mill

POS	Article no.	Description	Quantity	Unit	Foot note text
1	5.515-286.0	Wheel cap	2.000	ST	YELLOW
1	5.515-365.0	Wheel cap schwarz	2.000	ST	
2	2.885-066.0	Spare part set wheels	1.000	ST	
3	7.312-008.0	Washer 12-200HV-A3E ISO 7089	2.000	ST	
4	6.343-180.0	Quick-fastener	2.000	ST	
5	4.032-018.0	Reversing rolling mill complete	1.000	ST	
6	7.303-084.0	Screw 4x25 -10.9-R2R (K-In6Rd)	2.000	ST	