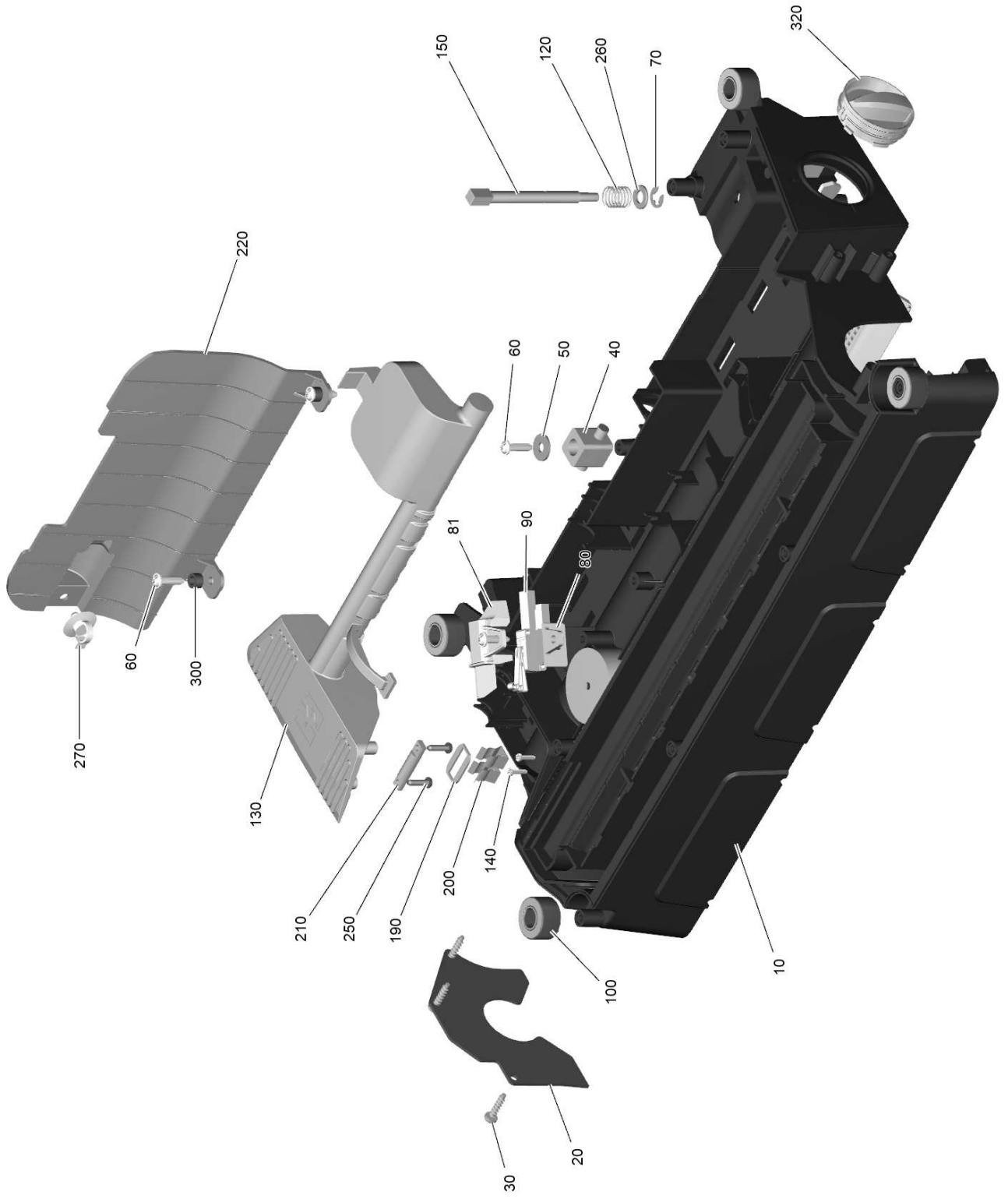


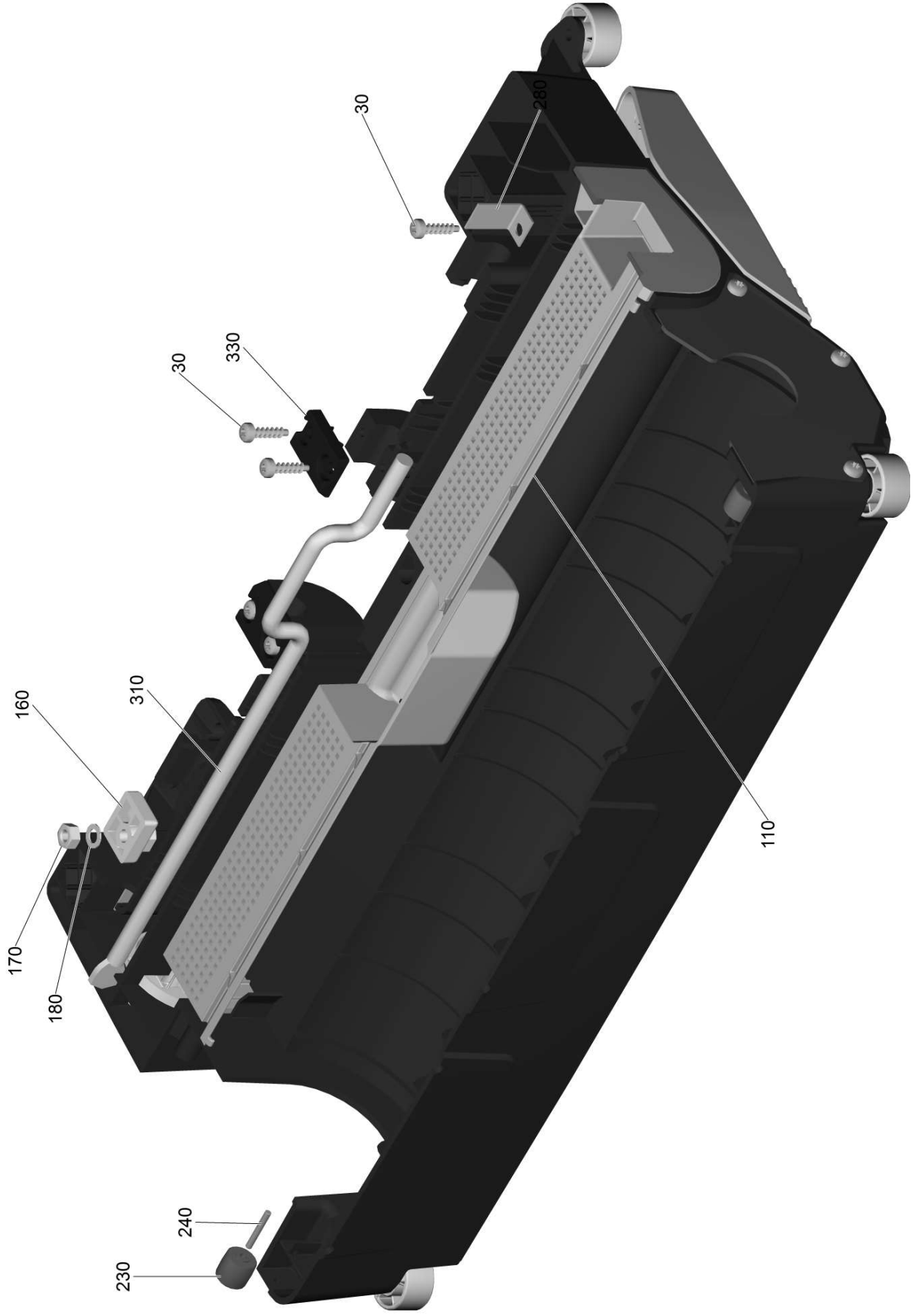
# 10 Brush housing complete (4.037-077.0)

Professional \ Floor cleaner \ Compact \ BR 45/22 C \*EU \ Brush-head complete \ Brush housing complete



# 10 Brush housing complete (4.037-077.0)

Professional \ Floor cleaner \ Compact \ BR 45/22 C \*EU \ Brush-head complete \ Brush housing complete



## 10 Brush housing complete (4.037-077.0)

Professional \ Floor cleaner \ Compact \ BR 45/22 C \*EU \ Brush-head complete \ Brush housing complete

POS	Article no.	Description	Quantity	Unit
280	5.037-008.0	Plate stop	2	PC
300	5.037-018.0	Sleeve	2	PC
40	5.037-260.0	Swivel joint suction beam retraction	1	PC
100	5.037-262.0	Deflector roll	4	PC
150	5.037-302.0	Threaded part	1	PC
160	5.037-303.0	Slide part height adjustment	1	PC
210	5.037-325.0	Pedal fixing axle	1	PC
220	5.037-340.0	Baffle plate brush-head	1	PC
190	5.037-354.0	Plate	1	PC
10	5.037-386.0	Brush housing	1	PC
110	5.037-387.0	Sweep drawer grey	1	PC
130	5.037-396.0	Retaining bracket suction bar	1	PC
20	5.037-425.0	Plate brush holder	1	PC
310	5.037-429.0	Lever transport wheel	1	PC
330	5.037-434.0	Holder-up axle	2	PC
320	5.037-435.0	Handhold adjustment transport roll	1	PC
81	5.039-434.0	Covering cap micro switch	1	PC
80	5.050-654.0	Retainer micro switch	1	PC
240	5.314-129.0	Axle	2	PC
120	5.332-207.0	Helical spring	1	PC
230	5.515-277.0	Roller	2	PC
140	6.303-557.0	Screw 3x12 Kombitorx T8	2	PC
200	6.330-410.0	Spring clip X130-8L	2	PC
90	6.630-438.0	Micro switch	1	PC
270	6.650-335.0	Cable tie with fixing 150,46	1	PC
250	7.303-026.0	Screw 4x16-A2-70 (K-In6Rd)	2	PC
60	7.303-108.0	Screw 5x20-10.9-R2R (In6Rd)	4	PC
30	7.303-212.0	Screw 5x20-A2-70 (K-In6Rd)	9	PC
170	7.311-003.0	Hexagon nut M6 -8-A2E ISO 4032	1	PC
260	7.312-004.0	Washer 8 -200HV-A3E ISO 7089	1	PC
180	7.312-232.0	Serrated lock washer A6,4-FSt-A3E DIN 6	1	PC
50	7.312-292.0	Washer 6 -A2 ISO 7093-1	1	PC
70	7.343-300.0	Lock washer 7-A2 DIN 6799	1	PC

# 10 Brush housing complete (4.037-077.0)

Professional \ Floor cleaner \ Compact \ BR 45/22 C \*EU \ Brush-head complete \ Brush housing complete



POS	Article no.	Description	Quantity	Unit
50	8.601-385.0	WASHER, M6 FNDR SS ISO7093	1	PC

Item text1: replaced by 7.312-292.0