

## **Spare parts list**

(1.633-426.0) WV 2 Premium Black Edition \*EU

## Table of contents

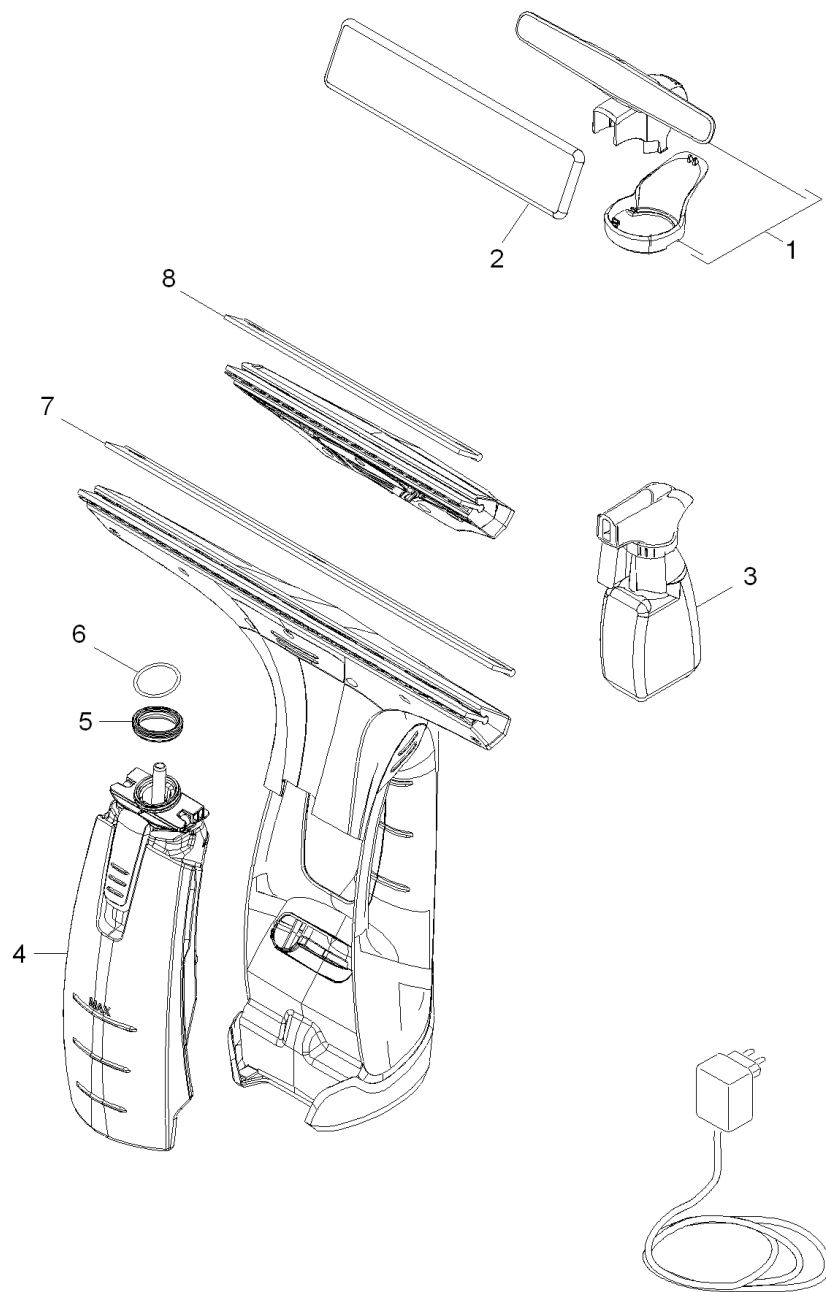
---

WV 2 Premium Black Edition *EU (1.633-426.0)	3
Short spare parts list	4
Spare parts list 1.633-426.0, -425.0	6
10 Top part	7
20 Housing	9
30 Accessories	11
30 Accessories	13

WV 2 Premium Black Edition \*EU (1.633-426.0)

---

<b>POS</b>	<b>Description</b>	<b>Quantity</b>	<b>Unit</b>
0	Short spare parts list	1.000	ST
0	Spare parts list 1.633-426.0, -425.0	1.000	ST



## Short spare parts list

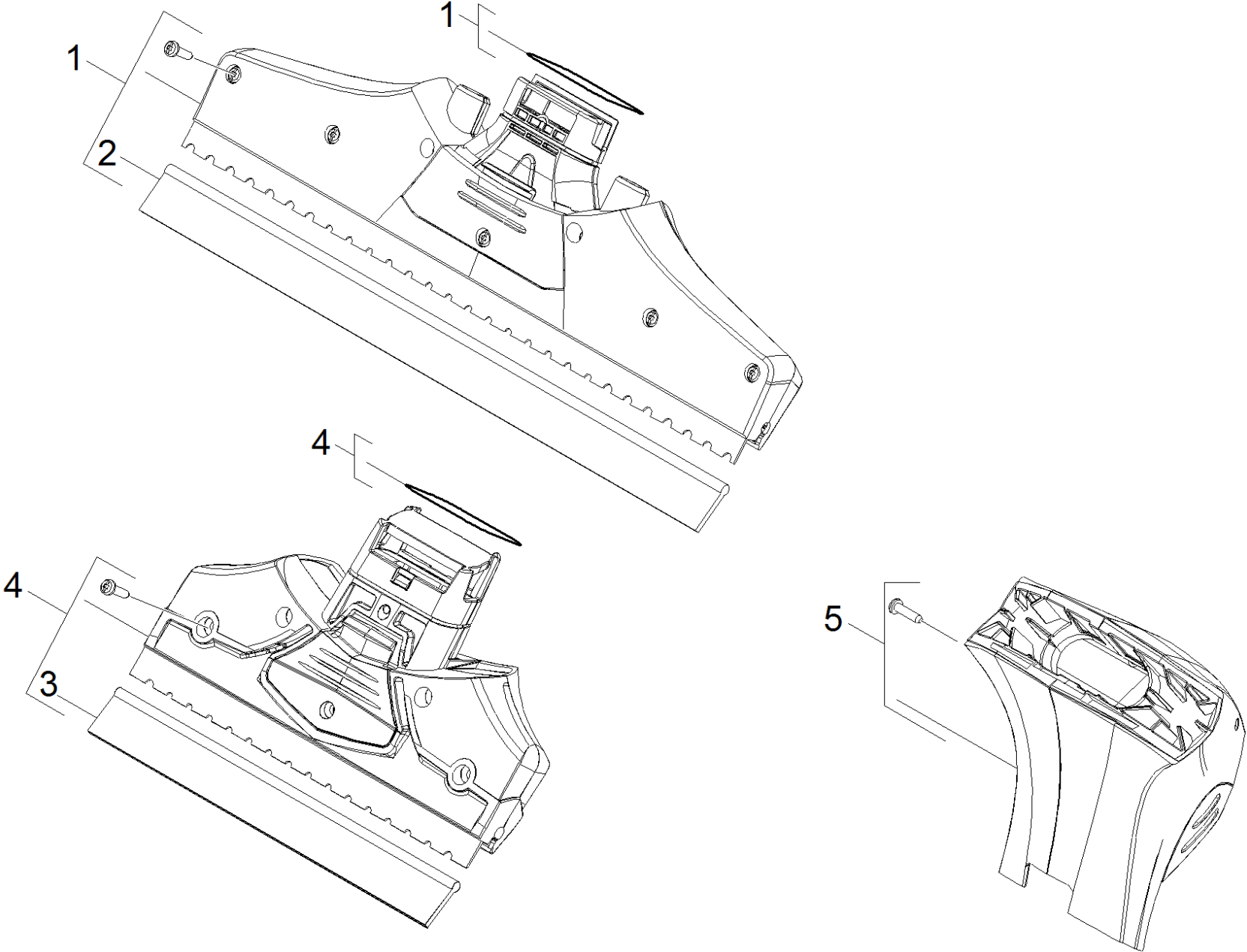
---

<b>POS</b>	<b>Article no.</b>	<b>Description</b>	<b>Quantity</b>	<b>Unit</b>
1	4.633-023.0	Pad retainer complete only for replaceme	1.000	ST
2	2.633-100.0	2 WV microfibre wiping clothes WV50	1.000	ST
3	6.394-844.0	Spray bottle grey blank 250 ml.	1.000	ST
4	4.633-094.0	Tank complete replacement WV 5	1.000	ST
5	5.633-141.0	Seal tank	1.000	ST
6	6.363-536.0	O-Ring seal 21x1,5	1.000	ST
7	2.633-005.0	Pull-off lip WV 50 (280mm)	1.000	ST
8	2.633-104.0	Pull-off lip WV 50 (170mm)	1.000	ST

Spare parts list 1.633-426.0, -425.0

---

<b>POS</b>	<b>Description</b>	<b>Quantity</b>	<b>Unit</b>	<b>Foot note text</b>
10	Top part	1.000	ST	
20	Housing	1.000	ST	
30	Accessories	1.000	ST	VERSION 1
30	Accessories	1.000	ST	VERSION 2

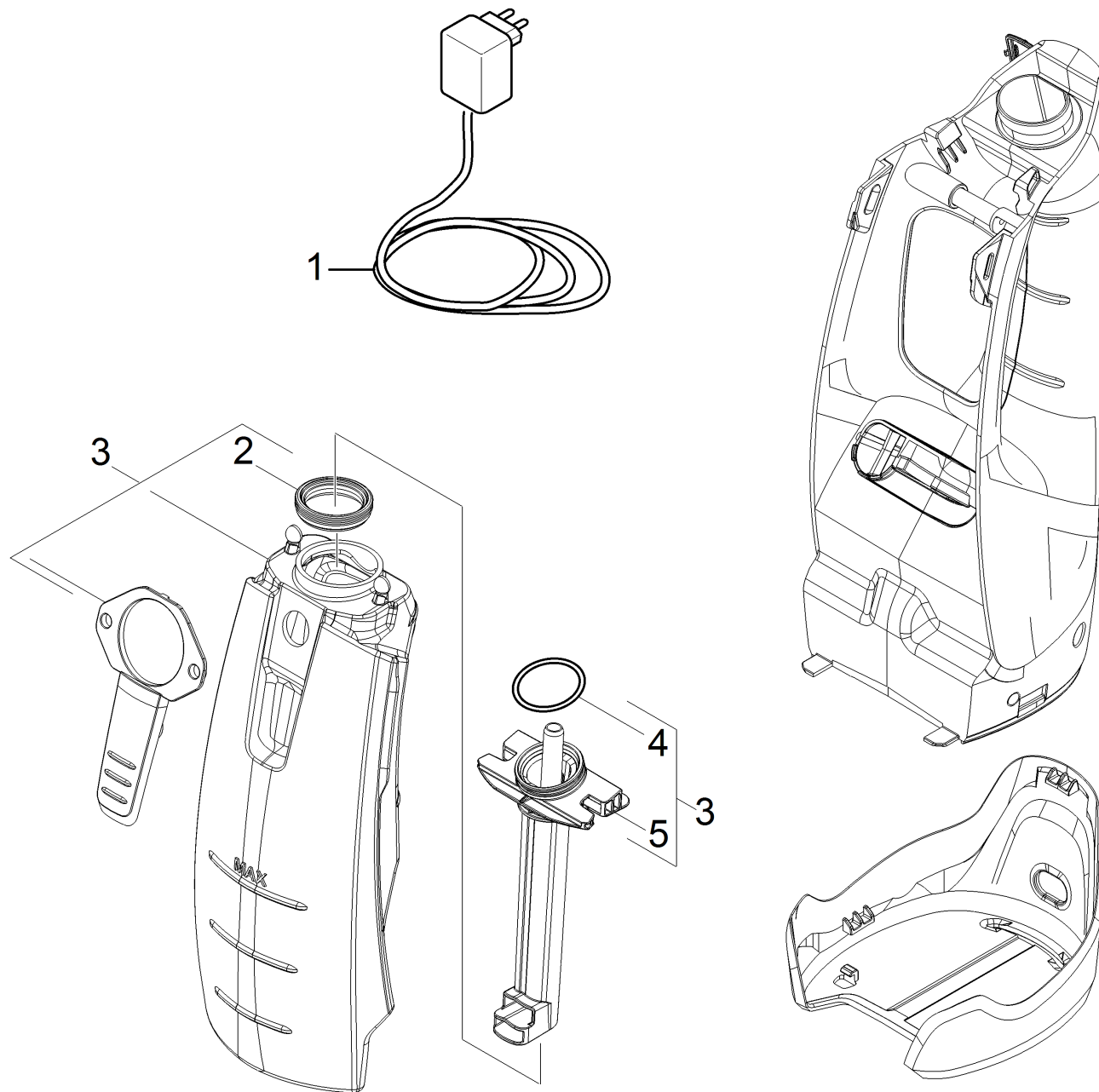


## 10 Top part

---

<b>POS</b>	<b>Article no.</b>	<b>Description</b>	<b>Quantity</b>	<b>Unit</b>
1	4.633-019.0	Suction nozzle black only for replacemen	1.000	ST
2	2.633-005.0	Pull-off lip WV 50 (280mm)	1.000	ST
3	2.633-104.0	Pull-off lip WV 50 (170mm)	1.000	ST
4	4.633-075.0	Suction nozzle complete replacement schm	1.000	ST
5	4.633-015.0	Separator yellow only for replacement	1.000	ST

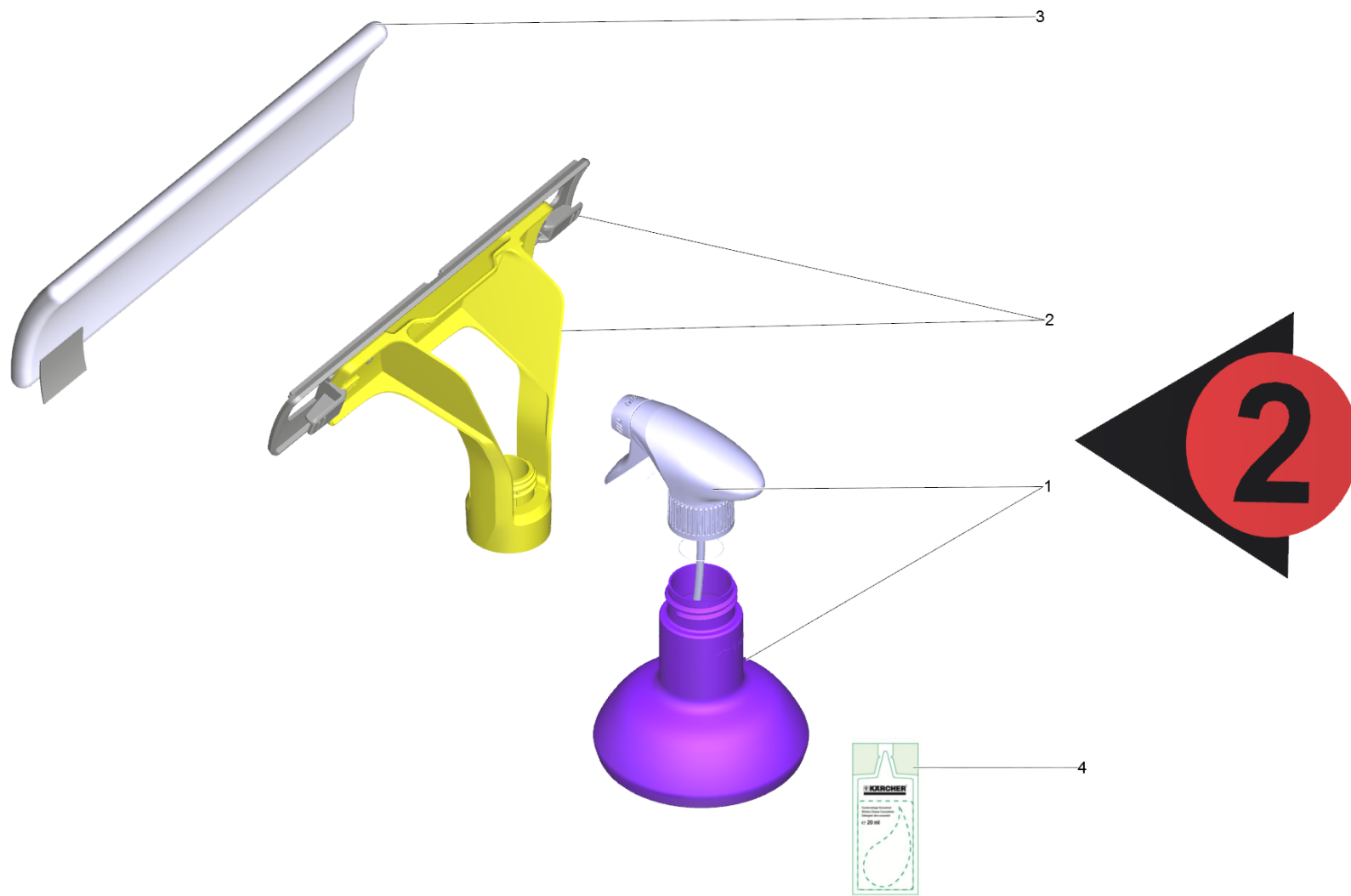




## 20 Housing

---

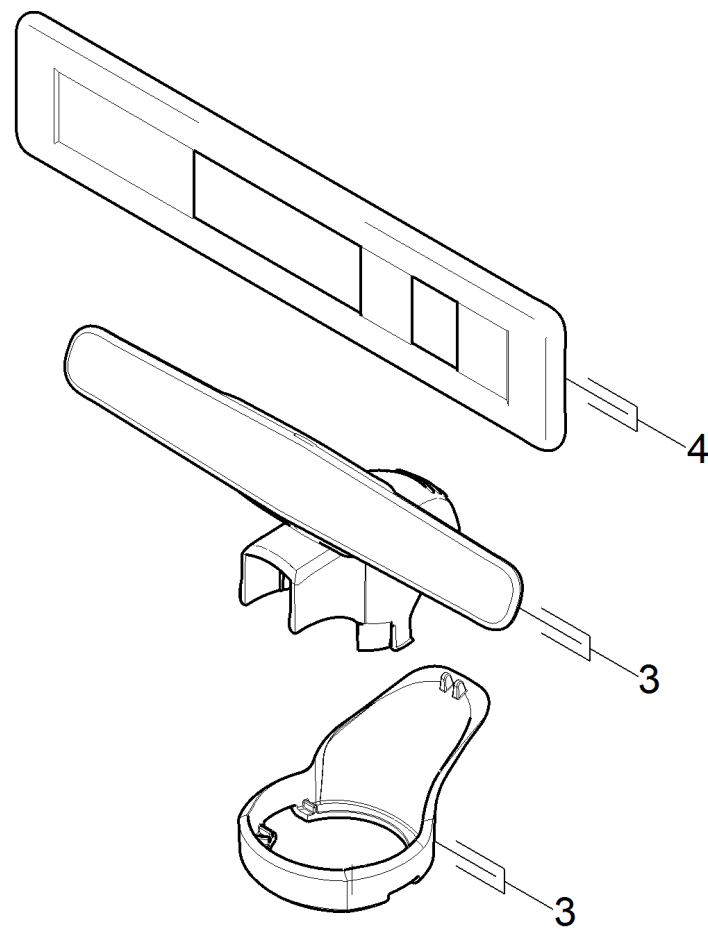
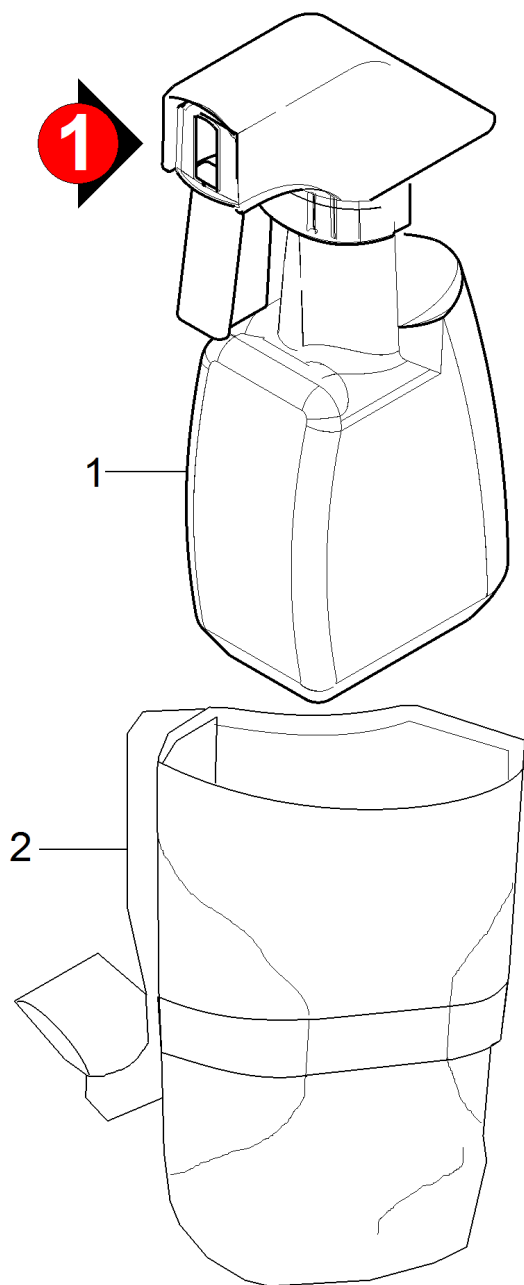
<b>POS</b>	<b>Article no.</b>	<b>Description</b>	<b>Quantity</b>	<b>Unit</b>
1	2.633-107.0	WV & KV battery charger *EU	1.000	ST
2	5.633-141.0	Seal tank	1.000	ST
3	4.633-094.0	Tank complete replacement WV 5	1.000	ST
4	6.363-536.0	O-Ring seal 21x1,5	1.000	ST
5	5.633-150.0	Intake water	1.000	ST



## 30 Accessories

---

<b>POS</b>	<b>Article no.</b>	<b>Description</b>	<b>Quantity</b>	<b>Unit</b>
1	4.633-127.0	Spray bottle round replacement	1.000	ST
2	4.633-128.0	Pad holder complete premium	1.000	ST
3	2.633-131.0	WV microfibre wiper cover Outdoor	1.000	ST
3	2.633-130.0	WV microfibre wiper cover Indoor	1.000	ST
4	6.295-302.0	Window cleaner concentrate 4x20 ml	1.000	ST



## 30 Accessories

---

<b>POS</b>	<b>Article no.</b>	<b>Description</b>	<b>Quantity</b>	<b>Unit</b>
1	6.394-844.0	Spray bottle grey blank 250 ml.	1.000	ST
2	2.633-006.0	Waist bag WV	1.000	ST
3	4.633-023.0	Pad retainer complete only for replaceme	1.000	ST
4	2.633-100.0	2 WV microfibre wiping clothes WV50	1.000	ST
5	6.295-302.0	Window cleaner concentrate 4x20 ml	1.000	ST