

Spare parts list

(1.384-121.0) BR 55/60 W P

Table of contents

BR 55/60 W P (1.384-121.0)	5
1000 Spare parts list BR/BD 55/60W (5.970-093.0)	6
10 Tank	7
11 Individual parts	8
12 Cap of a tank	10
20 Vacuum motor	12
30 Transmission	14
31 Individual parts	15
32 Individual parts	18
9 Wheel drive motor replacement (4.035-487.0)	21
33 Pedal	22
34 Pedal	26
35 Pedal	29
40 Piping	32
50 Operating element	35
51 Control system	36
52 Control console	38
2 Key switch (6.630-106.0)	40
53 Control console	42
2 Key switch (6.630-106.0)	44
54 Control console	46
55 Tachograph	48
56 Tachograph	50
60 Battery	52
3 Pole binder single (6.643-948.0)	55
70 Electricics	57
71 Electricics	58
72 Electricics	61
80 Power brush	63
81 Individual parts	64
82 Transmission	67
83 Individual parts	69
84 Transmission	71
85 Individual parts transmission	74
86 Conversion kit pivot point long BR 65/60	78
90 Suction bar	80
91 Suction beam retraction	81
92 Suction bar	83

Table of contents

8 Suction bar 940AB (4.777-302.0)	85
600 Spare parts list suction bar 940AB (5.971-949.0)	86
10 Suction bar straight 940mm	87
16 Add-on kit support wheels suction bar (2.639-561.0)	89
1 Spare parts list support wheels (0.082-417.0)	90
10 Support wheels	91
21 Add-on kit support wheels suction bar (2.639-561.0)	93
1 Spare parts list support wheels (0.082-417.0)	94
10 Support wheels	95
93 Suction bar	97
8 Suction bar 940AB (4.777-302.0)	99
600 Spare parts list suction bar 940AB (5.971-949.0)	100
10 Suction bar straight 940mm	101
16 Add-on kit support wheels suction bar (2.639-561.0)	103
1 Spare parts list support wheels (0.082-417.0)	104
10 Support wheels	105
16 Add-on kit support wheels suction bar (2.639-561.0)	107
1 Spare parts list support wheels (0.082-417.0)	108
10 Support wheels	109
94 Suction bar	111
1 BLADES FOR TEXTURED FLOORS (6.273-290.0)	113
2 Suction bar curved 850mm (4.777-411.0)	114
10 Suction bar pre-assembled curved 850mm	116
9000 Conversion kit support roller deep (4.035-281.0)	118
9000 Roller suction bar (4.035-339.0)	120
9002 BLADES FOR TEXTURED FLOORS (6.273-290.0)	122
2 Suction bar curved 940mm (4.777-412.0)	123
10 Suction bar pre-assembled curved 940mm	125
9000 Conversion kit support roller deep (4.035-281.0)	127
9000 Roller suction bar (4.035-339.0)	129
8 Suction bar straight 850mm (4.777-401.0)	131
10 Suction bar pre-assembled straight 850mm	133
9000 Conversion kit support roller deep (4.035-281.0)	135
9000 Roller suction bar (4.035-339.0)	137
9002 BLADES FOR TEXTURED FLOORS (6.273-290.0)	139
8 Suction bar straight 940mm (4.777-402.0)	140
10 Suction bar pre-assembled straight 940mm	142
9000 Conversion kit support roller deep (4.035-281.0)	144

Table of contents

9000 Roller suction bar (4.035-339.0)	146
19 Add-on kit rollers suction bar (2.640-023.0)	148
19 Roller suction bar (4.035-339.0)	150
100 Roll pad BR	152
101 Roll pad	153
102 Roll pad	155
110 Suction hose	157
Suction hose accessories (4.444-015.0)	159

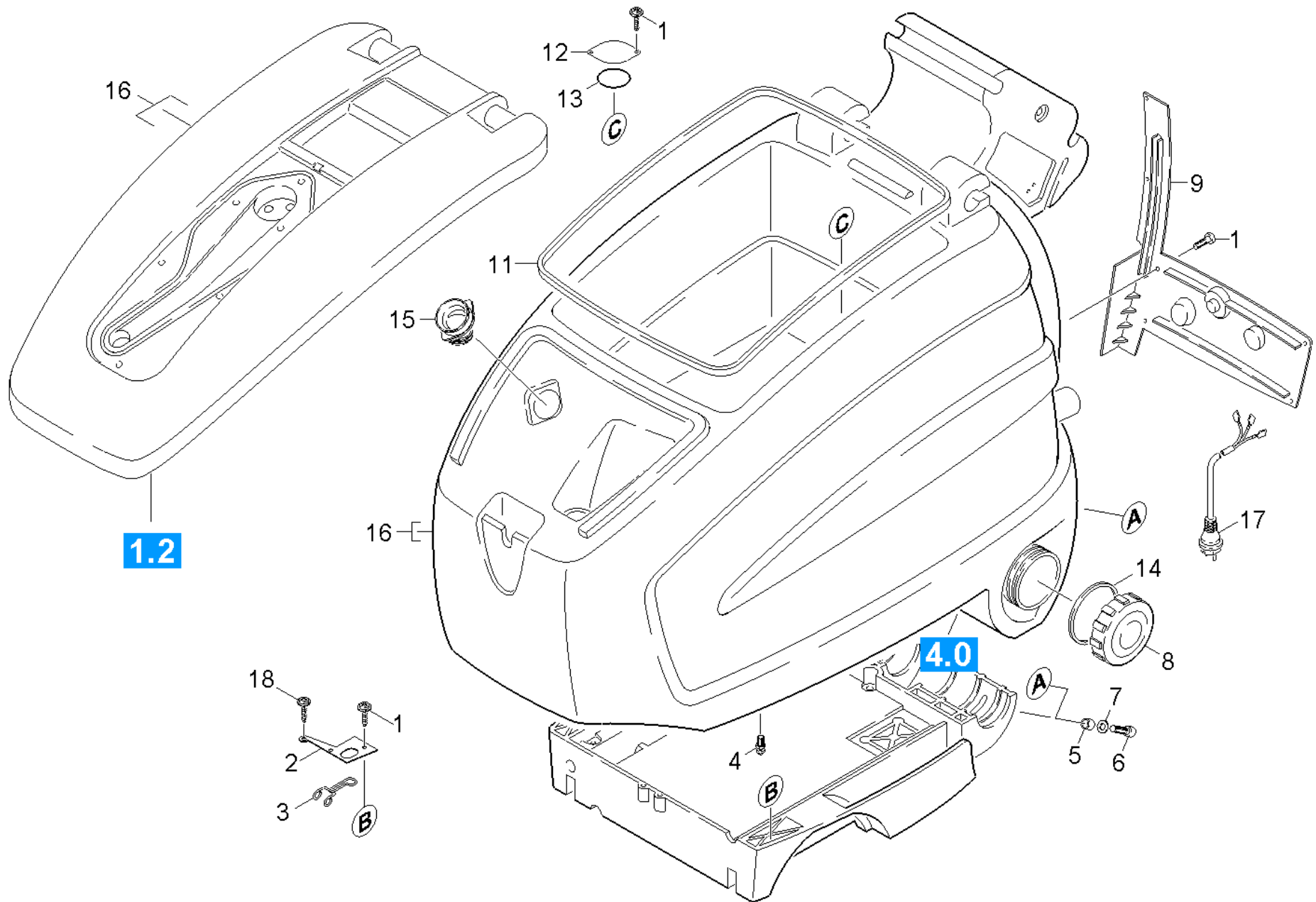
POS	Article no.	Description	Quantity	Unit
1000	5.970-093.0	Spare parts list BR/BD 55/60W	1.000	ST
Item text2: 3DABDAE49FB055B0E1000000C34F56CF13841210				

1000 Spare parts list BR/BD 55/60W (5.970-093.0)

POS	Description	Quantity	Unit
60	Battery	1.000	ST
70	Electricics	1.000	ST
50	Operating element	1.000	ST
40	Piping	1.000	ST
80	Power brush	1.000	ST
100	Roll pad BR	1.000	ST
90	Suction bar	1.000	ST
110	Suction hose	1.000	ST
10	Tank	1.000	ST
30	Transmission	1.000	ST
20	Vacuum motor	1.000	ST

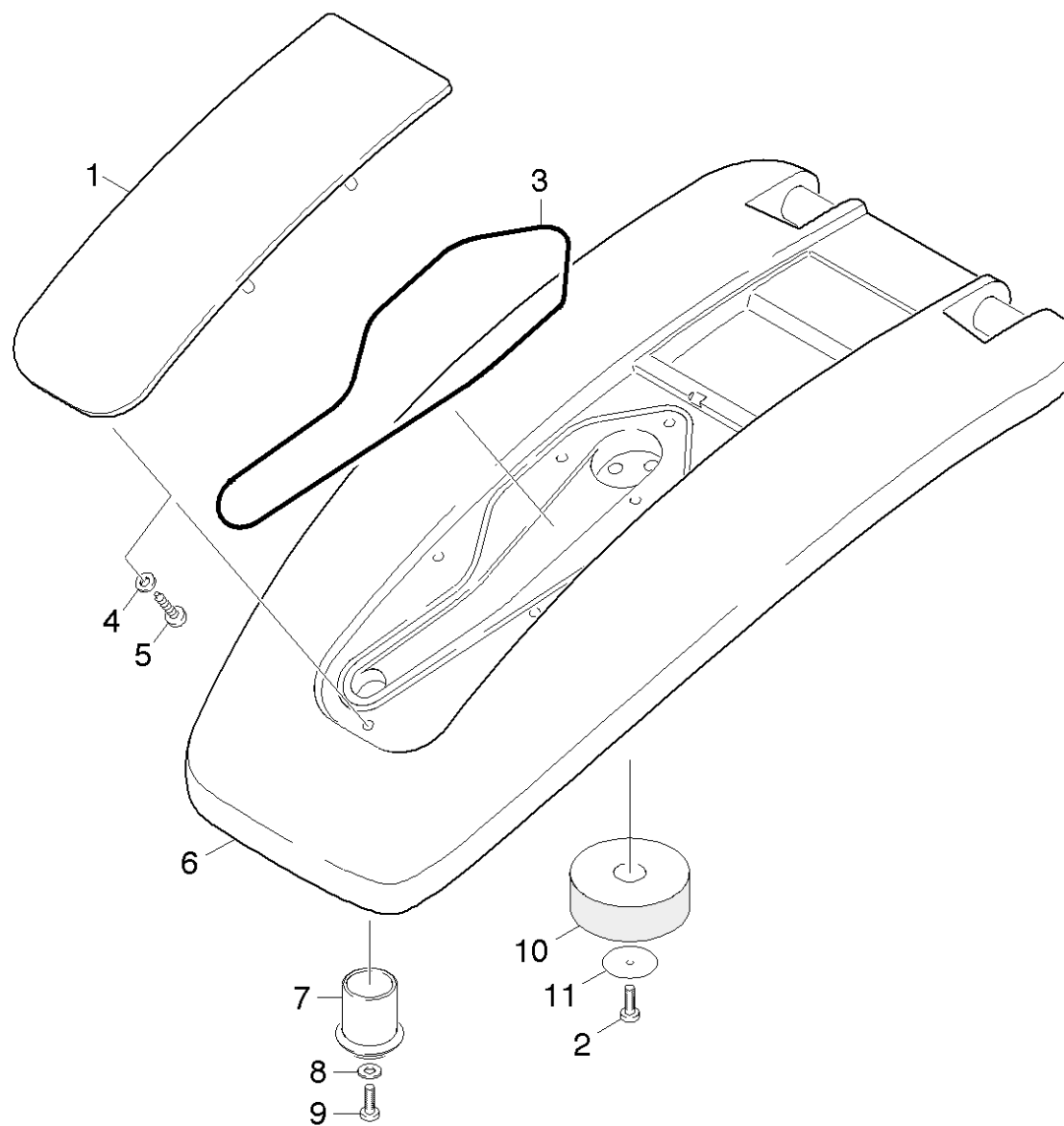
10 Tank

POS	Description	Quantity	Unit
12	Cap of a tank	1.000	ST
11	Individual parts	1.000	ST



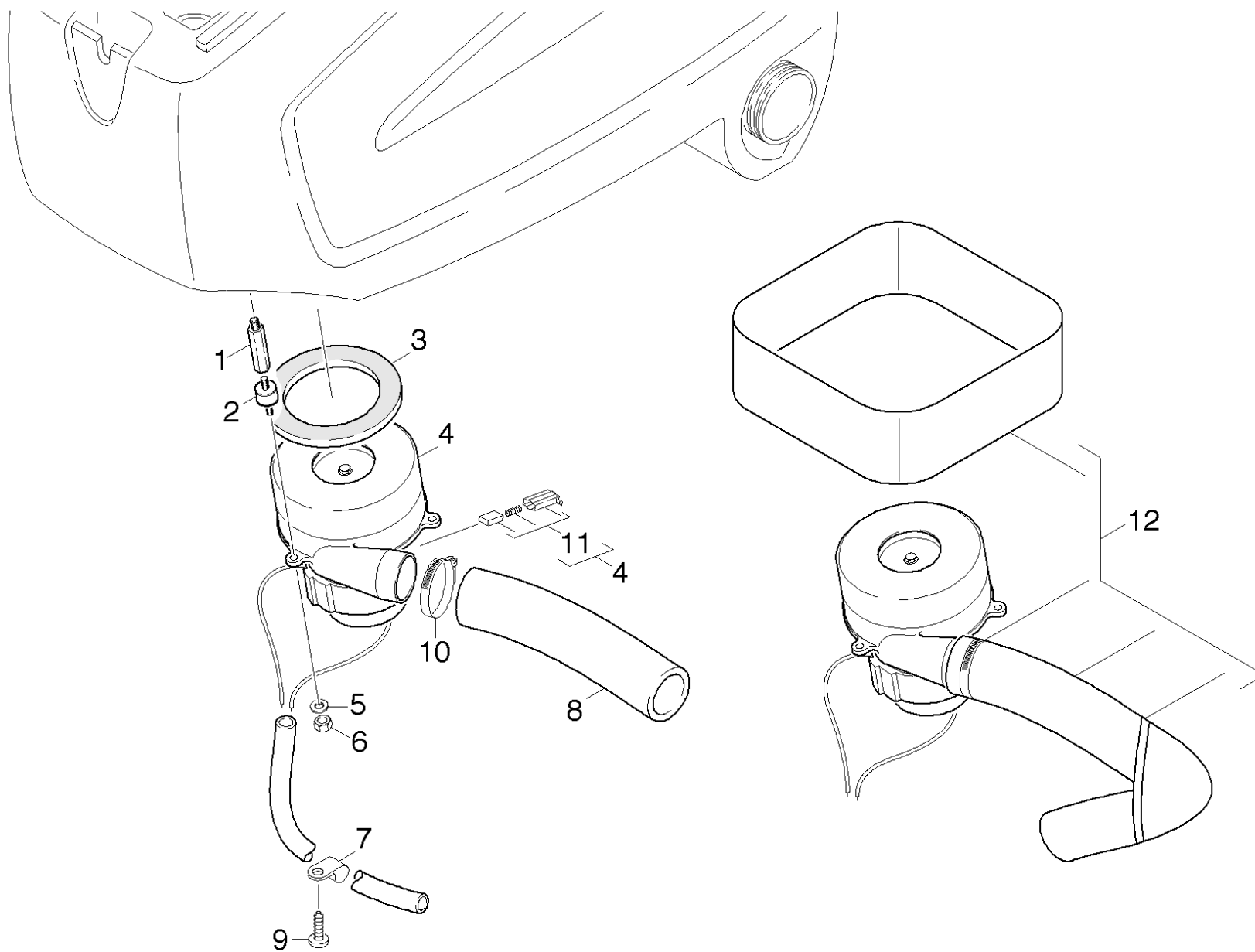
11 Individual parts

POS	Article no.	Description	Quantity	Unit	Foot note text
4	5.317-091.0	Bolt	1.000	ST	
17	6.649-227.0	Cable with plug	1.000	ST	
	Item text1: //1.384-151.0 / -152.0 / -251.0 / -252.0				
8	6.392-120.0	Cap of a tank	1.000	ST	
9	5.069-010.0	Covering cap	1.000	ST	
6	7.304-801.0	Hexagonal head screw M10x25-A4-70 ISO 4	2.000	ST	
15	5.363-547.0	Joint ring	1.000	ST	BLACK
13	6.362-631.0	O-Ring seal 58,0 X 2,5	1.000	ST	
12	5.001-888.0	Plate 328	1.000	ST	
2	5.011-494.0	Plate locking part tank B 60 W	1.000	ST	
	Item text1: //1.384-111.0 / -121.0 / -123.0 / -161.0				
	Item text2: / -211.0 / -221.0 / -718.0 / -818.0				
2	5.008-593.0	Plate locking part tank BR 55/60 WEP	1.000	ST	
	Item text1: //1.384-151.0 / -152.0 / -251.0 / -252.0				
3	5.034-688.0	Retaining bracket closure tank	1.000	ST	
	Item text1: //1.384-111.0 / -121.0 / -123.0 / -161.0				
	Item text2: / -211.0 / -221.0 / -718.0 / -818.0				
1	7.303-107.0	Screw 5x16 -10.9-P2R (K-In6Rd)	10.000	ST	
18	7.303-112.0	Screw 6x20 -10.9-R2R (In6Rd)	1.000	ST	
14	6.363-214.0	Seal	1.000	ST	
11	6.366-043.0	Sealing profile	1.000	M	TO ORDER AS CUT GOODS
5	5.110-944.0	Sleeve frame tank	2.000	ST	
16	4.061-008.0	Tank blue with cover	1.000	ST	BLUE
	Item text1: / 1.384-123.0				
16	4.071-206.0	Tank complete only for replacement B 60	1.000	ST	GREY
16	4.071-148.0	Tank complete with cover	1.000	ST	YELLOW
7	7.312-290.0	Washer 10-A2 ISO 7093-1	2.000	ST	



12 Cap of a tank

POS	Article no.	Description	Quantity	Unit	Foot note text
6	5.064-040.0	Cover BR/BD 55.60 W	1.000	ST	
1	5.069-007.0	Covering cap	1.000	ST	
10	5.585-044.0	Float BR/BD 55/60	1.000	ST	
7	5.363-549.0	Joint ring Frischwasseroeffnung	1.000	ST	
2	7.303-107.0	Screw 5x16 -10.9-P2R (K-In6Rd)	1.000	ST	
5	7.303-104.0	Screw 5x16 -A2-70 (IN6RD)	6.000	ST	
9	7.303-105.0	Screw 5x25 -A2-70-bk (In6Rd)	1.000	ST	
3	6.273-196.0	Seal string cellular rubber	1.000	M	TO ORDER AS CUT GOODS
11	5.115-754.0	Washer	1.000	ST	
8	7.312-267.0	Washer 5-A2 ISO 7094	1.000	ST	
4	7.312-266.0	Washer 6-A2 ISO 7094	6.000	ST	

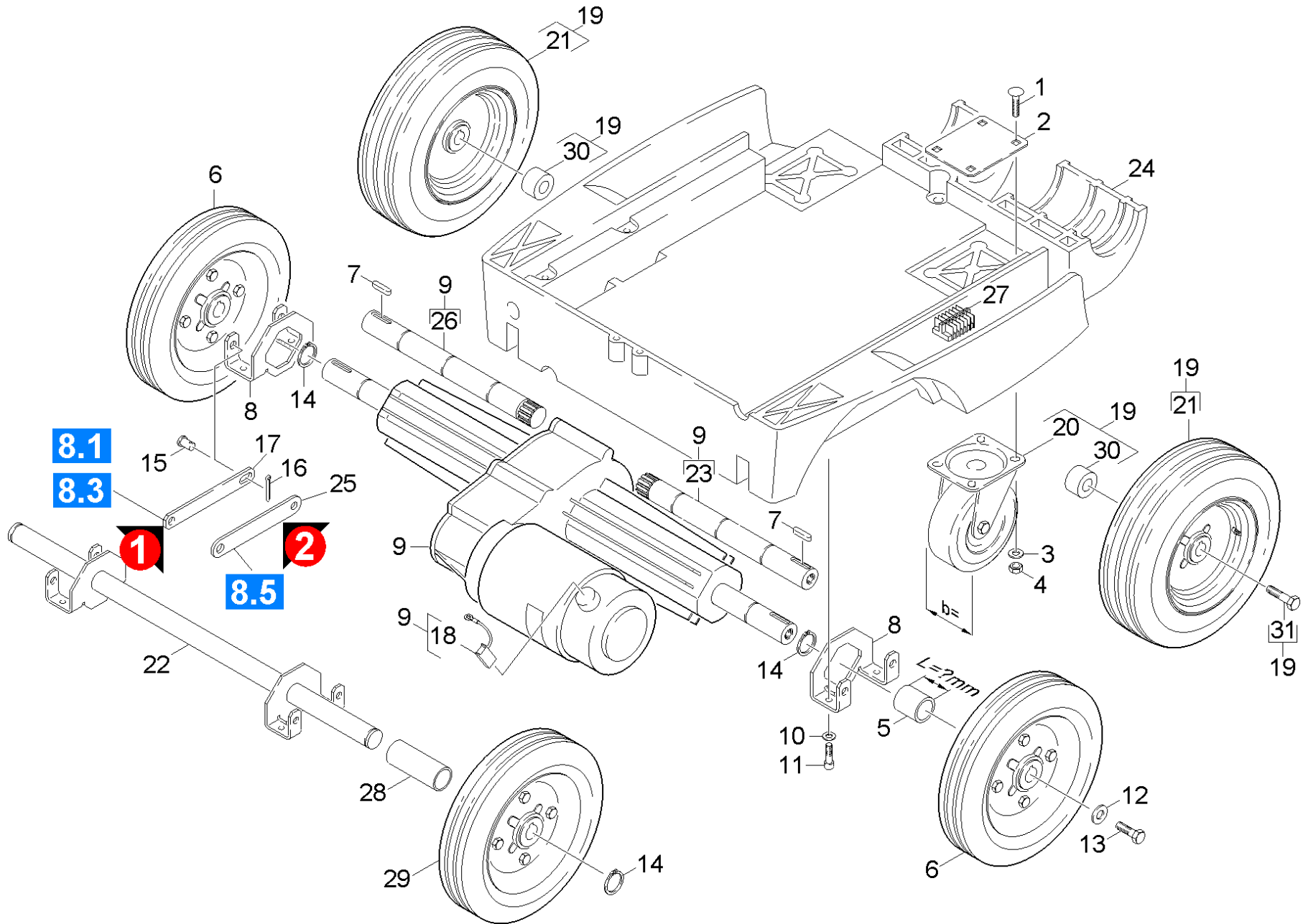


20 Vacuum motor

POS	Article no.	Description	Quantity	Unit	Remark
12	2.640-920.0	Add-on kit sound insulation	1.000	ST	
10	6.641-474.0	Cable tape 8-210	1.000	ST	
11	2.883-010.0	Carbon brush set	1.000	ST	24V550W
11	6.610-221.0	Carbon brush set	1.000	ST	240V900W
6	7.311-003.0	Hexagon nut M6 -8-A2E ISO 4032	3.000	ST	
3	5.363-195.0	Joint ring	1.000	ST	
7	6.373-670.0	Pipe clamp	3.000	ST	
2	6.339-021.0	Rubber buffer 2xM6-D20 H15	3.000	ST	
9	7.303-107.0	Screw 5x16 -10.9-P2R (K-In6Rd)	3.000	ST	
8	6.390-215.0	Soundproof hose	1.000	ST	
1	5.308-066.0	Stud bolt	3.000	ST	L 51,0MM
1	5.308-056.0	Stud bolt	3.000	ST	L61,5MM
	Item text1: //1.384-151.0 / -152.0 / -251.0 / -252.0				
4	6.490-036.0	Vacuum motor 24V 550W	1.000	ST	24V550W
4	6.490-135.0	Vacuum motor 220-240V	1.000	ST	240V900W
	Item text1: //1.384-151.0 / -152.0 / -251.0 / -252.0				
5	7.312-276.0	Washer 6 -200HV-A2E ISO7093-1	3.000	ST	

30 Transmission

POS	Description	Quantity	Unit	Remark	Foot note text
31	Individual parts	1.000	ST	AMER	
32	Individual parts	1.000	ST	ASI / CIM	
35	Pedal	1.000	ST	1.384-123.0	
33	Pedal	1.000	ST	1.384-111/121/151/152/161/211/221/251/25 2/718/-818.0	VERSION 1+2
34	Pedal	1.000	ST	VERSION 3 /1.384-111/-121/-161/-211/-221/-718/-818.0	

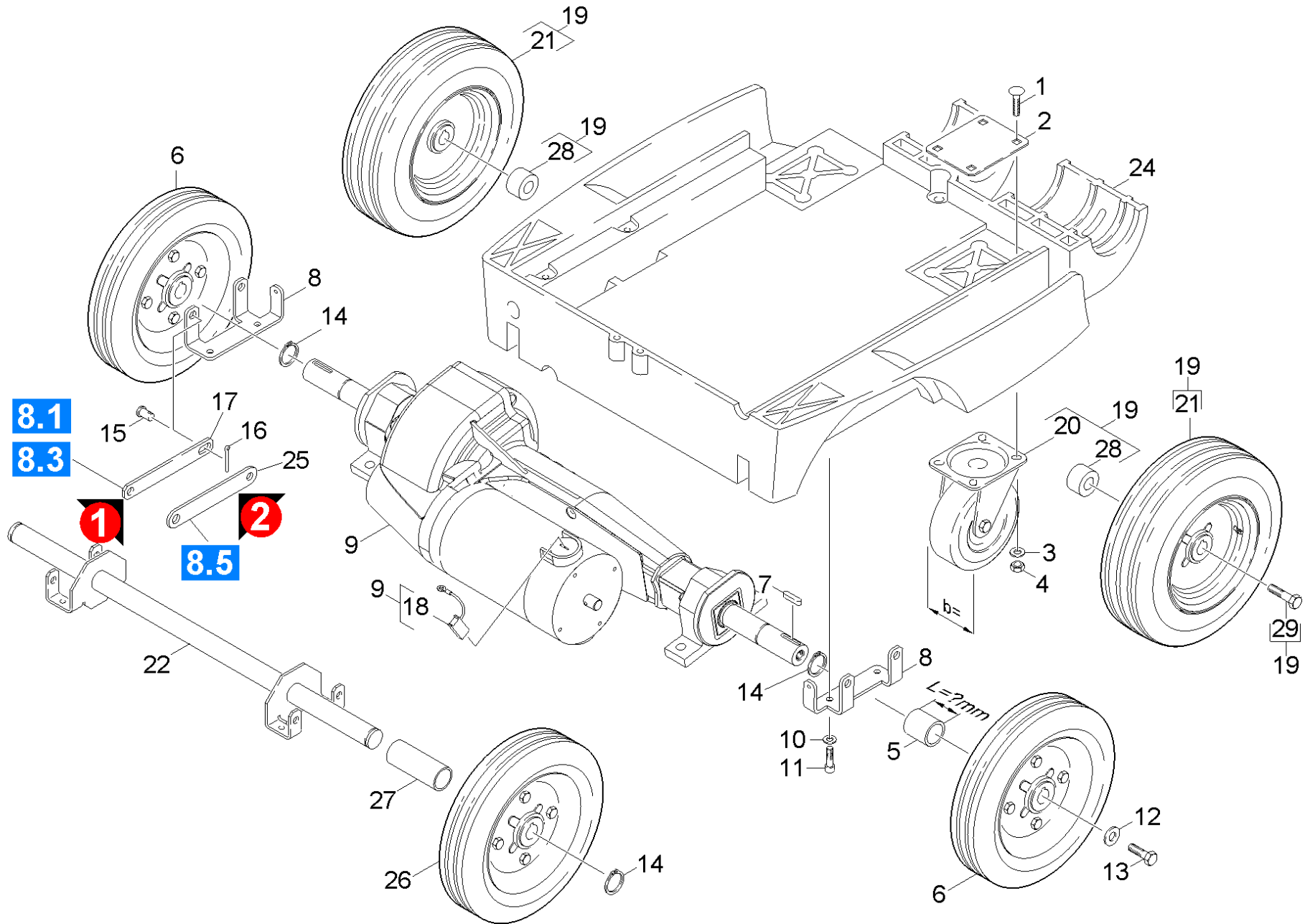


31 Individual parts

POS	Article no.	Description	Quantity	Unit	Remark	Foot note text
26	6.437-639.0	Axle right Amer 4018237	1.000	ST		
15	5.317-086.0	Bolt power brush	4.000	ST		
30	5.035-910.0	Bush	2.000	ST		
18	6.610-248.0	Carbon brush set BR/BD 55/60	1.000	ST	(AMER)	
22	4.044-061.0	Carriage BR/BD 55/60 WEP	1.000	ST		
	Item text1: //1.384-151.0 / -152.0 / -251.0 / -252.0					
20	6.435-691.0	Castor	2.000	ST	b=54mm	ANTI-STRIP
20	6.435-710.0	Castor oil resistant	2.000	ST	b=40mm	ANTI-STRIP, OIL RESISTANT
19	4.744-162.0	Conversion kit wheels	1.000	ST		ANTI-STRIP
16	7.316-342.0	Cotter 3,2x20 -St-A2E ISO 1234	4.000	ST		
23	5.100-519.0	Driveshaft left only for replacement	1.000	ST	(AMER)	
24	5.050-182.0	Frame	1.000	ST		
4	7.311-068.0	Hexagon nut M 8-A2-70 ISO 4032	8.000	ST		
17	5.481-354.0	Lever Ablenkung	2.000	ST	170mm	VERSION 1
	Item text1: //1.384-211.0 / -221.0 / -251.0 / -252.0					
	Item text2: / -818.0					
17	5.481-344.0	Lever pivot point	2.000	ST	152mm	VERSION 1
	Item text1: //1.384-111.0 / -121.0 / -151.0 / -152.0					
	Item text2: / -161.0 / -718.0					
25	5.062-236.0	Lever pivot point right B 60 W	2.000	ST		VERSION 2
14	7.343-007.0	Locking ring 20x1,2-FST-RF DIN 471	2.000	ST		
7	7.318-031.0	Parallel key 6x6x28 -C45K DIN 6885-1	2.000	ST		
2	5.007-673.0	Plate	1.000	ST		
1	7.303-009.0	Saucer-head screw M8x50-8.8-A2E DIN 603	4.000	ST		
11	7.303-114.0	Screw 6 x 35-ST-10.9-R2R (IN6RD)	4.000	ST		
	Item text1: //1.384-211 /-221.0					
11	7.303-112.0	Screw 6x20 -10.9-R2R (In6Rd)	4.000	ST		
13	7.306-218.0	Screw M 8x16-A2-70 DIN 7984	2.000	ST		
31	7.306-221.0	Screw M 8x25-A2-70 DIN 7984	2.000	ST		
8	5.058-268.0	Sheet metal component	2.000	ST	(AMER)	
28	5.111-011.0	Sleeve wheel	2.000	ST		
	Item text1: //1.384-151.0 / -152.0 / -251.0 / -252.0					

31 Individual parts

POS	Article no.	Description	Quantity	Unit	Remark	Foot note text
5	5.110-957.0	Sleeve wheel drive motor	2.000	ST	L = 19,0mm	
5	5.111-316.0	Spacer sleeve wheel drive motor 13,5mm	2.000	ST	L = 13,5mm	
27	6.651-533.0	Tab	1.000	ST		
10	7.312-026.0	Washer 6 -A2 ISO 7089	4.000	ST		
3	7.312-004.0	Washer 8 -200HV-A3E ISO 7089	8.000	ST		
12	7.312-268.0	Washer 8 -A2 ISO 7094	2.000	ST		
29	6.435-734.0	Wheel 250 mm	2.000	ST		rim steel
	Item text1: //1.384-151.0 / -152.0 / -251.0 / -252.0					
6	6.435-367.0	Wheel complete	2.000	ST	5.110-957.0	rim steel
6	4.435-003.0	Wheel complete only for replacement	2.000	ST	5.111-316.0	rim plastics
9	6.613-080.0	Wheel drive motor	1.000	ST	(AMER)	
21	6.435-681.0	Wheel foamed D260	2.000	ST		ANTI-STRIP



32 Individual parts

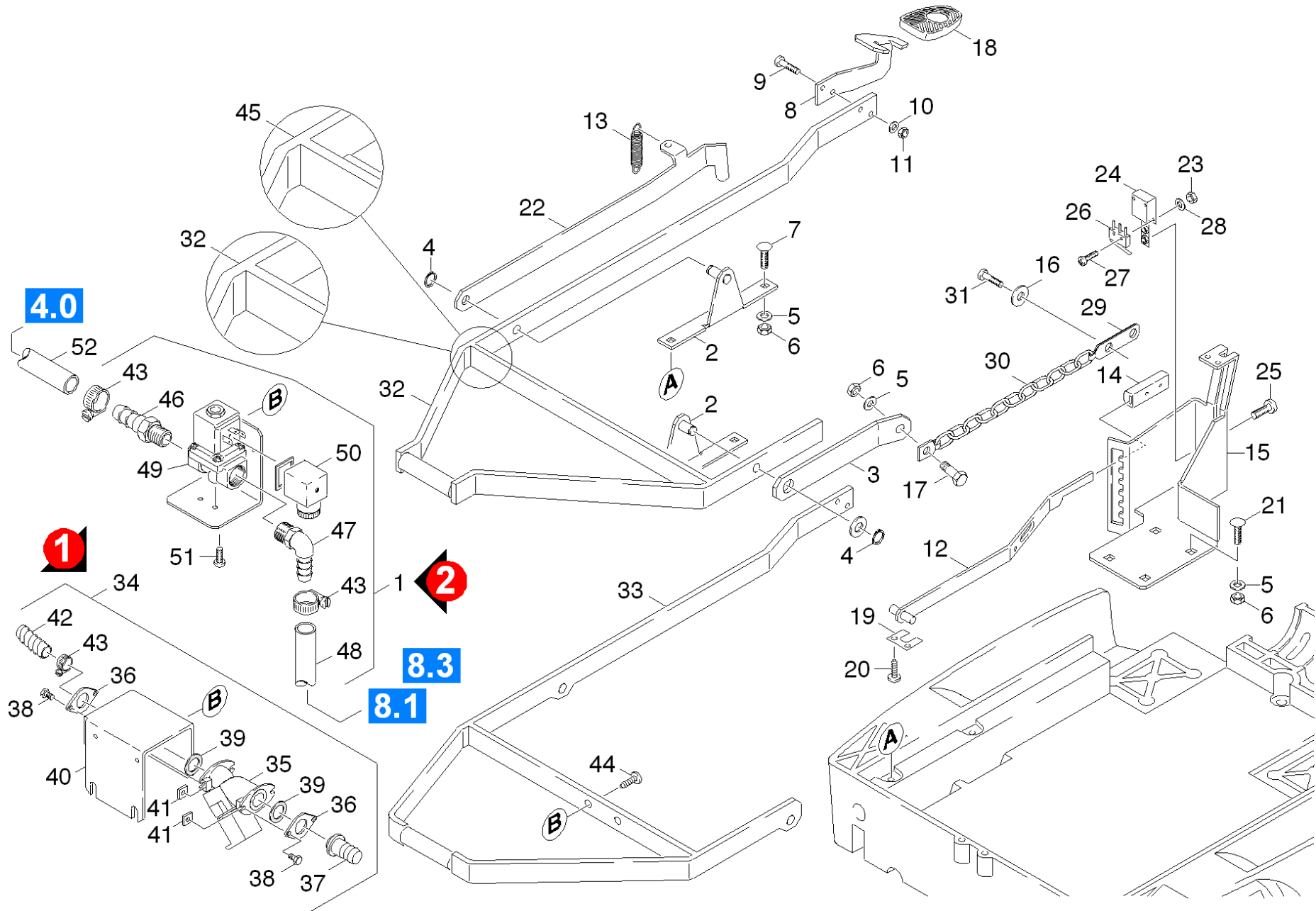
POS	Article no.	Description	Quantity	Unit	Remark	Foot note text
15	5.317-086.0	Bolt power brush	4.000	ST		
28	5.035-910.0	Bush	2.000	ST		
18	6.610-272.0	Carbon brush set wheel drive motor ASI	1.000	ST	(ASI)	
18	6.610-294.0	Carbon brush set wheel drive motor CIM	1.000	ST	(CIM)	
22	4.044-061.0	Carriage BR/BD 55/60 WEP	1.000	ST		
	Item text1: //1.384-151.0 / -152.0 / -251.0 / -252.0					
20	6.435-691.0	Castor	2.000	ST	b=54mm	ANTI-STRIP
20	6.435-710.0	Castor oil resistant	2.000	ST	b=40mm	ANTI-STRIP, OIL RESISTANT
19	4.744-162.0	Conversion kit wheels	1.000	ST		ANTI-STRIP
16	7.316-342.0	Cotter 3,2x20 -St-A2E ISO 1234	4.000	ST		
24	5.050-182.0	Frame	1.000	ST		
4	7.311-068.0	Hexagon nut M 8-A2-70 ISO 4032	8.000	ST		
17	5.481-354.0	Lever Ablenkung	2.000	ST	170mm	VERSION 1
	Item text1: //1.384-211.0 / -221.0 / -251.0 / -252.0					
	Item text2: / -818.0					
17	5.481-344.0	Lever pivot point	2.000	ST	152mm	VERSION 1
	Item text1: //1.384-111.0 / -121.0 / -151.0 / -152.0					
	Item text2: / -161.0 / -718.0					
25	5.062-236.0	Lever pivot point right B 60 W	2.000	ST		VERSION 2
14	7.343-007.0	Locking ring 20x1,2-FST-RF DIN 471	2.000	ST		
7	7.318-031.0	Parallel key 6x6x28 -C45K DIN 6885-1	2.000	ST		
2	5.007-673.0	Plate	1.000	ST		
1	7.303-009.0	Saucer-head screw M8x50-8.8-A2E DIN 603	4.000	ST		
11	7.303-114.0	Screw 6 x 35-ST-10.9-R2R (IN6RD)	4.000	ST		
	Item text1: //1.384-211 /-221.0					
11	7.303-112.0	Screw 6x20 -10.9-R2R (In6Rd)	4.000	ST		
13	7.306-218.0	Screw M 8x16-A2-70 DIN 7984	2.000	ST		
29	7.306-221.0	Screw M 8x25-A2-70 DIN 7984	2.000	ST		
8	5.062-238.0	Sheet metal component holder wheel drive	2.000	ST	(ASI)+(CIM)	
27	5.111-011.0	Sleeve wheel	2.000	ST		

32 Individual parts

POS	Article no.	Description	Quantity	Unit	Remark	Foot note text
	Item text1: //1.384-151.0 / -152.0 / -251.0 / -252.0					
5	5.110-957.0	Sleeve wheel drive motor	2.000	ST	L = 19,0mm	
5	5.111-316.0	Spacer sleeve wheel drive motor 13,5mm	2.000	ST	L = 13,5mm	
10	7.312-026.0	Washer 6 -A2 ISO 7089	4.000	ST		
3	7.312-004.0	Washer 8 -200HV-A3E ISO 7089	8.000	ST		
12	7.312-268.0	Washer 8 -A2 ISO 7094	2.000	ST		
26	6.435-734.0	Wheel 250 mm	2.000	ST		rim steel
	Item text1: //1.384-151.0 / -152.0 / -251.0 / -252.0					
6	6.435-367.0	Wheel complete	2.000	ST	5.110-957.0	rim steel
6	4.435-003.0	Wheel complete only for replacement	2.000	ST	5.111-316.0	rim plastics
9	4.035-487.0	Wheel drive motor replacement	1.000	ST		
21	6.435-681.0	Wheel foamed D260	2.000	ST		ANTI-STRIP

9 Wheel drive motor replacement (4.035-487.0)

POS	Article no.	Description	Quantity	Unit
10	6.610-294.0	Carbon brush set wheel drive motor CIM	1.000	ST



33 Pedal

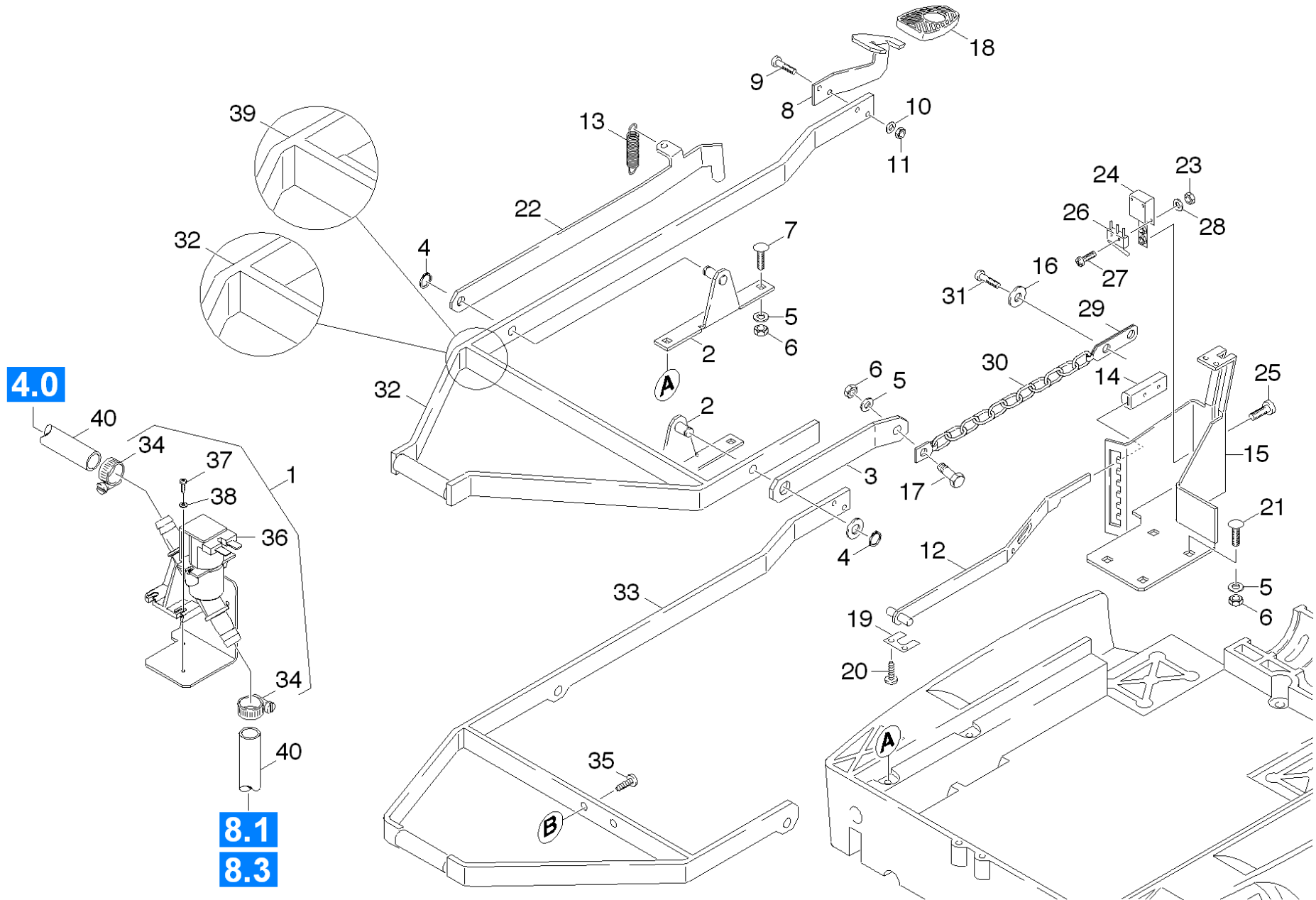
POS	Article no.	Description	Quantity	Unit	Remark	Foot note text
1	2.640-726.0	Add-on kit solenoid valve BR-BD 55-60 W	1.000	ST		VERSION 2
	Item text1: 1.384-111.0 / -121.0 / -161.0 / -211.0					
	Item text2: / -221.0 / -718.0 / -818.0					
47	6.390-002.0	Angle bushing	2.000	ST		
50	6.961-529.0	Angle plug-in connection	1.000	ST		
30	6.432-207.0	Chain zinc-plated 32/12/3	1.000	M		TO ORDER AS CUT GOODS
18	6.321-046.0	Coating pedal	1.000	ST		
13	6.330-213.0	Extension spring	1.000	ST		
36	5.122-428.0	Flange	2.000	ST		
39	6.641-654.0	Flat gasket 13X20	2.000	ST		
14	5.321-457.0	Handhold	1.000	ST		
17	7.304-397.0	Hexagonal head screw M8x20-8.8-A2E ISO	1.000	ST		
23	7.311-074.0	Hexagon nut M 2-8-A2E ISO 4032	2.000	ST		
11	7.311-067.0	Hexagon nut M 6-A2-70 ISO 4032	2.000	ST		
6	7.311-514.0	Hexagon nut M 8-A2-70 ISO 7040	5.000	ST		
42	6.388-977.0	Hose	1.000	M	BR	TO ORDER AS CUT GOODS
48	6.388-977.0	Hose	1.000	M		TO ORDER AS CUT GOODS
43	6.388-542.0	Hose clip 16-27x9	1.000	ST		QUANTITY ACCORDING TO DEMAND
46	6.389-898.0	Hose stem	1.000	ST		
37	5.443-488.0	Hose stem	2.000	ST		
22	5.481-340.0	Lever	1.000	ST		
33	4.481-208.0	Lever complete BD-Kopf	1.000	ST		
	Item text1: 1.384-211.0 / -221.0 / -251.0 / -252.0					
	Item text2: / -818.0					
45	4.481-227.0	Lever complete brush-head	1.000	ST		
	Item text1: 1.384-151.0 / -152.0					
32	4.481-203.0	Lever complete brush-head	1.000	ST		
	Item text1: 1.384-111.0 / -121.0 / -161.0 / -718.0					
12	4.481-266.0	Lever contact pressure	1.000	ST		YELLOW
4	7.343-001.0	Locking ring 10x1-Rf-St DIN 471	2.000	ST		
26	6.630-294.0	Micro switch	1.000	ST		
	Item text1: //1.384-111.0 / -121.0 / -161.0 / -211.0					

33 Pedal

POS	Article no.	Description	Quantity	Unit	Remark	Foot note text
	Item text2: / -221.0 / -718.0 / -818.0					
8	5.062-268.0	Pedal brush-head lifting	1.000	ST		YELLOW
19	5.007-672.0	Plate	1.000	ST		
29	5.007-839.0	Plate	1.000	ST		
3	5.007-786.0	Plate chain	1.000	ST		
21	7.303-009.0	Saucer-head screw M8x50-8.8-A2E DIN 603	4.000	ST		
7	7.303-165.0	Saucer-head screw M8x55-ST-A0P DIN 603	4.000	ST		
31	7.303-107.0	Screw 5x16 -10.9-P2R (K-In6Rd)	2.000	ST		
27	7.306-045.0	Screw M2x20 -4.8-A2K DIN 84	2.000	ST		
51	7.306-206.0	Screw M4x10 -A2-70 ISO 14583	2.000	ST		
25	7.306-058.0	Screw M 4X 12- 8.8-R2R K-IN6RD	2.000	ST		
38	7.306-208.0	Screw M 4x16-A2-70 (IN6RD)	4.000	ST		
20	7.303-047.0	Screw M6x16 -St-R3R (In6Rd)	2.000	ST		
9	7.306-194.0	Screw M6x20 -A2-70 (In6Rd)	2.000	ST		
2	4.040-153.0	Sheet metal component complete	2.000	ST		
24	5.058-276.0	Sheet metal component micro switch	1.000	ST		
	Item text1: //1.384-111.0 / -121.0 / -161.0 / -211.0					
	Item text2: / -221.0 / -718.0 / -818.0					
15	5.050-696.0	Sheet metal component notch	1.000	ST		
40	5.058-692.0	Sheet metal component solenoid valve	1.000	ST		
44	7.303-076.0	Sheet metal screw ST4,8X13 -St-R2R (In6	2.000	ST		
49	6.472-989.0	Solenoid valve	1.000	ST		
	Item text1: 1.384-111.0 / -121.0 / -123.0 / -161.0					
	Item text2: / -211.0 / -221.0 / -718.0 / -818.0					
49	6.473-490.0	Solenoid valve replacement 230V 50/60Hz	1.000	ST		
	Item text1: 1.384-151.0 / -152.0 / -251.0 / -252.0					
52	6.390-892.0	Spiral hose NW12	1.000	M		TO ORDER AS CUT GOODS
42	6.390-892.0	Spiral hose NW12	1.000	M	BD	TO ORDER AS CUT GOODS
41	7.311-569.0	Square nut M4 -04-A2E DIN 562	4.000	ST		

33 Pedal

POS	Article no.	Description	Quantity	Unit	Remark	Foot note text
12	7.777-999.0	Stockpiling discontinued	1.000	ST		BLACK
34	7.777-999.0	Stockpiling discontinued	1.000	ST		VERSION 1
35	7.777-999.0	Stockpiling discontinued	1.000	ST		
8	7.777-999.0	Stockpiling discontinued	1.000	ST		BLACK
28	7.312-053.0	Washer 2,5-200HV-A3E ISO 7089	2.000	ST		
10	7.312-026.0	Washer 6 -A2 ISO 7089	2.000	ST		
16	7.312-004.0	Washer 8 -200HV-A3E ISO 7089	1.000	ST		
5	7.312-017.0	Washer 8-A2 ISO 7089	4.000	ST		



34 Pedal

POS	Article no.	Description	Quantity	Unit	Remark	Foot note text
1	2.641-369.0	Add-on kit solenoid valve	1.000	ST		
	Item text1: 1.384-111.0 / -121.0 / -123.0 / -161.0					
	Item text2: / -211.0 / -221.0 / -718.0 / -818.0					
30	6.432-207.0	Chain zinc-plated 32/12/3	1.000	M		TO ORDER AS CUT GOODS
18	6.321-046.0	Coating pedal	1.000	ST		
37	7.306-406.0	Cylinder head screw M3x16-4.8-A2E ISO 1	2.000	ST		
13	6.330-213.0	Extension spring	1.000	ST		
14	5.321-457.0	Handhold	1.000	ST		
17	7.304-397.0	Hexagonal head screw M8x20-8.8-A2E ISO	1.000	ST		
23	7.311-074.0	Hexagon nut M 2-8-A2E ISO 4032	2.000	ST		
11	7.311-067.0	Hexagon nut M 6-A2-70 ISO 4032	2.000	ST		
6	7.311-514.0	Hexagon nut M 8-A2-70 ISO 7040	5.000	ST		
40	6.388-977.0	Hose	1.000	M	BR	TO ORDER AS CUT GOODS
34	6.388-542.0	Hose clip 16-27x9	2.000	ST		QUANTITY ACCORDING TO DEMAND
22	5.481-340.0	Lever	1.000	ST		
33	4.481-208.0	Lever complete BD-Kopf	1.000	ST		
	Item text1: 1.384-211 /-221 /-251 /-818.0					
32	4.481-203.0	Lever complete brush-head	1.000	ST		
	Item text1: 1.384-111.0 / -121.0 / -161.0 / -718.0					
39	4.481-227.0	Lever complete brush-head	1.000	ST		
	Item text1: 1.384-151.0					
12	4.481-266.0	Lever contact pressure	1.000	ST		YELLOW
4	7.343-001.0	Locking ring 10x1-Rf-St DIN 471	2.000	ST		
26	6.630-294.0	Micro switch	1.000	ST		
	Item text1: //1.384-111.0 / -121.0 / -161.0 / -211.0					
	Item text2: / -221.0 / -718.0 / -818.0					
8	5.062-268.0	Pedal brush-head lifting	1.000	ST		YELLOW
29	5.007-839.0	Plate	1.000	ST		
19	5.007-672.0	Plate	1.000	ST		
3	5.007-786.0	Plate chain	1.000	ST		
21	7.303-009.0	Saucer-head screw M8x50-8.8-A2E DIN 603	4.000	ST		

34 Pedal

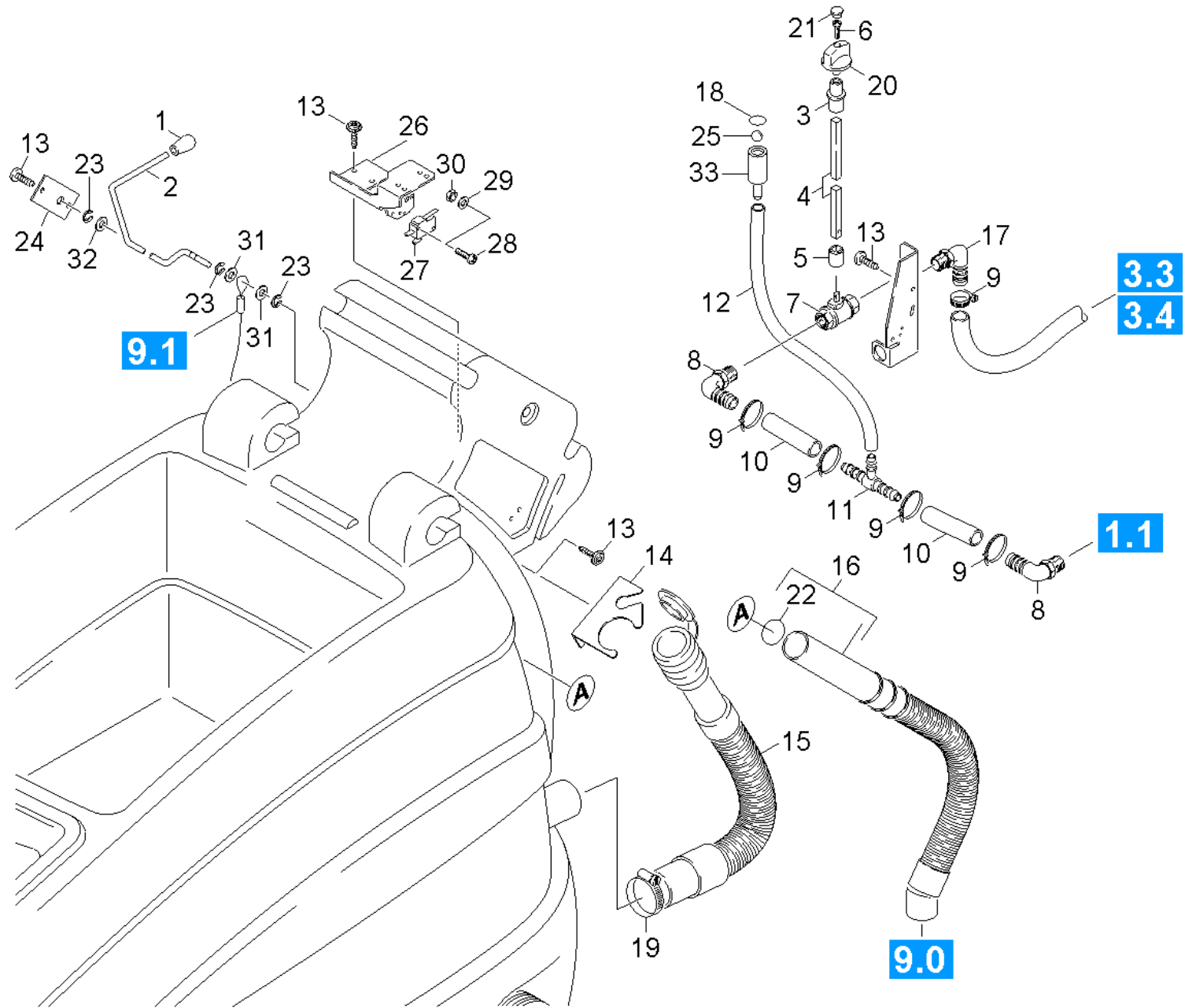
POS	Article no.	Description	Quantity	Unit	Remark	Foot note text
7	7.303-165.0	Saucer-head screw M8x55-ST-A0P DIN 603	4.000	ST		
31	7.303-107.0	Screw 5x16 -10.9-P2R (K-In6Rd)	2.000	ST		
27	7.306-045.0	Screw M2x20 -4.8-A2K DIN 84	2.000	ST		
25	7.306-058.0	Screw M 4X 12- 8.8-R2R K-IN6RD	2.000	ST		
20	7.303-047.0	Screw M6x16 -St-R3R (In6Rd)	2.000	ST		
9	7.306-194.0	Screw M6x20 -A2-70 (In6Rd)	2.000	ST		
2	4.040-153.0	Sheet metal component complete	2.000	ST		
24	5.058-276.0	Sheet metal component micro switch	1.000	ST		
		Item text1: //1.384-111.0 / -121.0 / -161.0 / -211.0				
		Item text2: / -221.0 / -718.0 / -818.0				
15	5.050-696.0	Sheet metal component notch	1.000	ST		
35	7.303-076.0	Sheet metal screw ST4,8X13 -St-R2R (In6)	2.000	ST		
36	4.035-196.0	Solenoid valve for replacement 24 V	1.000	ST		
		Item text1: 1.384-111.0 / -121.0 / -161.0 / -211.0				
		Item text2: / -221.0 / -718.0 / -818.0				
40	6.390-892.0	Spiral hose NW12	1.000	M	BD	TO ORDER AS CUT GOODS
8	7.777-999.0	Stockpiling discontinued	1.000	ST		BLACK
12	7.777-999.0	Stockpiling discontinued	1.000	ST		BLACK
28	7.312-053.0	Washer 2,5-200HV-A3E ISO 7089	2.000	ST		
38	7.312-043.0	Washer 3-A2 ISO 7089	2.000	ST		
10	7.312-026.0	Washer 6 -A2 ISO 7089	2.000	ST		
16	7.312-004.0	Washer 8 -200HV-A3E ISO 7089	1.000	ST		
5	7.312-017.0	Washer 8-A2 ISO 7089	4.000	ST		

35 Pedal

POS	Article no.	Description	Quantity	Unit	Foot note text
1	2.641-369.0	Add-on kit solenoid valve	1.000	ST	
43	5.443-481.0	Angle bushing	1.000	ST	
	Item text1: /1.384-123.0				
30	6.432-207.0	Chain zinc-plated 32/12/3	1.000	M	TO ORDER AS CUT GOODS
18	6.321-046.0	Coating pedal	1.000	ST	
37	7.306-406.0	Cylinder head screw M3x16-4.8-A2E ISO 1	2.000	ST	
45	7.306-242.0	Cylinder head screw M8x75-8.8-A2E ISO 4	2.000	ST	
	Item text1: /1.384-123.0				
13	6.330-213.0	Extension spring	1.000	ST	
48	6.414-835.0	Filter cartridge	1.000	ST	
50	6.414-985.0	Filter cup	1.000	ST	
46	6.907-203.3	Filter fresh water	1.000	ST	
14	5.321-457.0	Handhold	1.000	ST	
17	7.304-397.0	Hexagonal head screw M8x20-8.8-A2E ISO	1.000	ST	
23	7.311-074.0	Hexagon nut M 2-8-A2E ISO 4032	2.000	ST	
11	7.311-067.0	Hexagon nut M 6-A2-70 ISO 4032	2.000	ST	
47	7.311-510.0	Hexagon nut M 8-8-A2E ISO 7040	2.000	ST	
	Item text1: /1.384-123.0				
6	7.311-514.0	Hexagon nut M 8-A2-70 ISO 7040	5.000	ST	
40	6.388-977.0	Hose	1.000	M	TO ORDER AS CUT GOODS
34	6.388-542.0	Hose clip 16-27x9	2.000	ST	QUANTITY ACCORDING TO DEMAND
42	6.388-248.0	Hose DN12,5	1.000	M	TO ORDER AS CUT GOODS
41	6.389-692.0	Hose stem 1/2"	1.000	ST	
22	5.481-340.0	Lever	1.000	ST	
12	4.481-266.0	Lever contact pressure	1.000	ST	YELLOW
32	4.481-255.0	Lever power brush complete BR 65/60	1.000	ST	
4	7.343-001.0	Locking ring 10x1-Rf-St DIN 471	2.000	ST	
26	6.630-294.0	Micro switch	1.000	ST	
49	6.363-600.0	O-Ring seal	1.000	ST	
8	5.062-268.0	Pedal brush-head lifting	1.000	ST	YELLOW
29	5.007-839.0	Plate	1.000	ST	
19	5.007-672.0	Plate	1.000	ST	
3	5.007-786.0	Plate chain	1.000	ST	

35 Pedal

POS	Article no.	Description	Quantity	Unit	Foot note text
21	7.303-009.0	Saucer-head screw M8x50-8.8-A2E DIN 603	4.000	ST	
7	7.303-165.0	Saucer-head screw M8x55-ST-A0P DIN 603	4.000	ST	
31	7.303-107.0	Screw 5x16 -10.9-P2R (K-In6Rd)	2.000	ST	
27	7.306-045.0	Screw M2x20 -4.8-A2K DIN 84	2.000	ST	
25	7.306-058.0	Screw M 4X 12- 8.8-R2R K-IN6RD	2.000	ST	
20	7.303-047.0	Screw M6x16 -St-R3R (In6Rd)	4.000	ST	
9	7.306-194.0	Screw M6x20 -A2-70 (In6Rd)	2.000	ST	
2	4.040-153.0	Sheet metal component complete	2.000	ST	
24	5.058-276.0	Sheet metal component micro switch	1.000	ST	
15	5.050-696.0	Sheet metal component notch	1.000	ST	
36	4.035-196.0	Solenoid valve for replacement 24 V	1.000	ST	
12	7.777-999.0	Stockpiling discontinued	1.000	ST	BLACK
8	7.777-999.0	Stockpiling discontinued	1.000	ST	BLACK
28	7.312-053.0	Washer 2,5-200HV-A3E ISO 7089	2.000	ST	
38	7.312-043.0	Washer 3-A2 ISO 7089	2.000	ST	
10	7.312-026.0	Washer 6 -A2 ISO 7089	2.000	ST	
16	7.312-004.0	Washer 8 -200HV-A3E ISO 7089	5.000	ST	
5	7.312-017.0	Washer 8-A2 ISO 7089	4.000	ST	



40 Piping

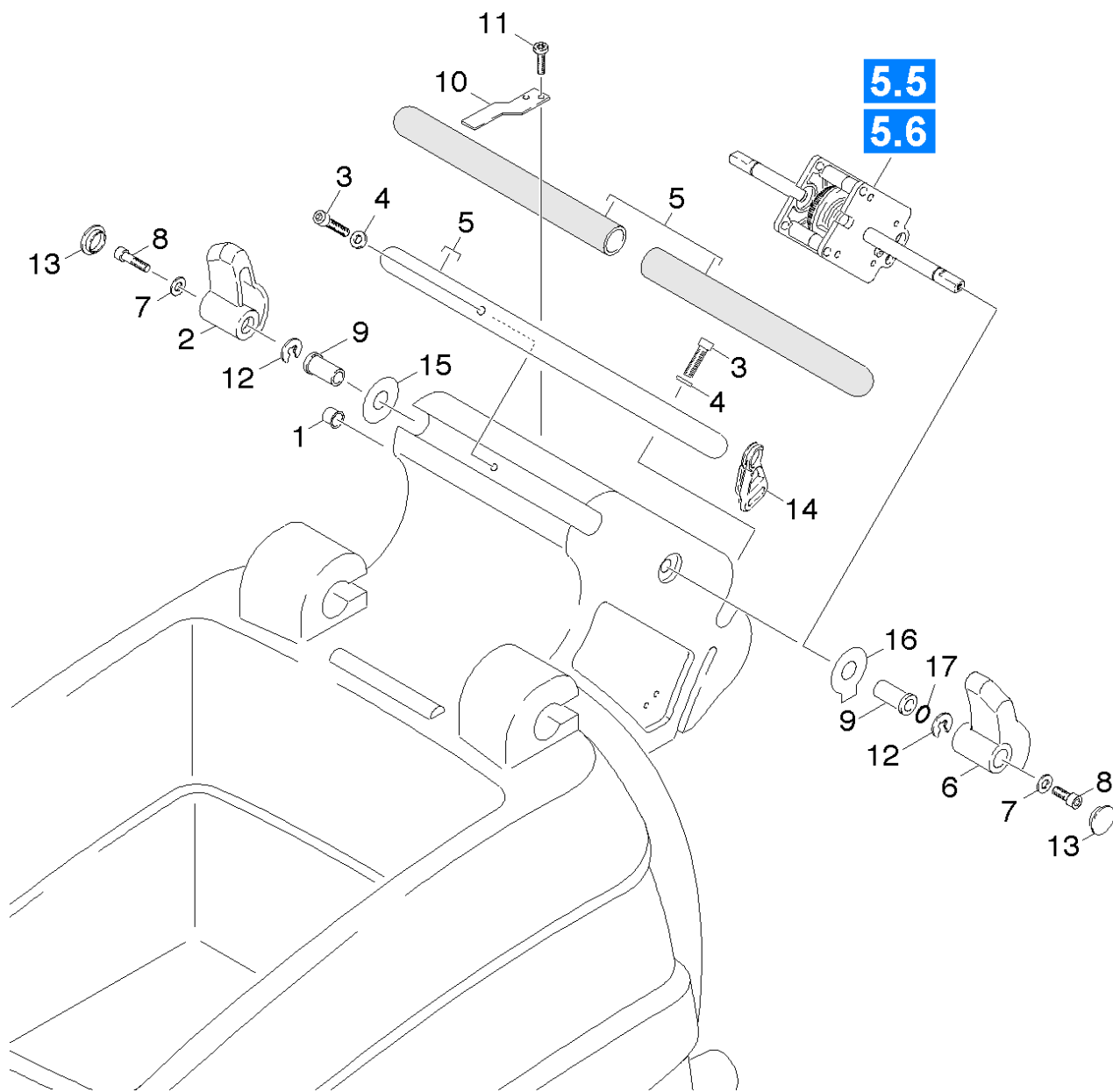
POS	Article no.	Description	Quantity	Unit	Foot note text
17	6.389-899.0	Angle bushing	1.000	ST	
8	5.443-481.0	Angle bushing	2.000	ST	
7	6.413-586.0	Ball valve without handhold	1.000	ST	
4	5.107-243.0	Bar fixing ball valve	1.000	ST	
19	6.641-474.0	Cable tape 8-210	1.000	ST	
9	6.641-474.0	Cable tape 8-210	4.000	ST	
5	5.470-068.0	Coupler	1.000	ST	
3	5.470-034.0	Coupler	1.000	ST	
28	7.306-406.0	Cylinder head screw M3x16-4.8-A2E ISO 1	2.000	ST	
15	6.392-333.0	Drain hose DN38 BR/BD 750/TRIKE	1.000	ST	
20	5.321-509.0	Handhold	1.000	ST	
30	7.311-000.0	Hexagon nut M3 -6-A2E ISO 4032	2.000	ST	
12	6.390-988.0	Hose	1.000	M	TO ORDER AS CUT GOODS
10	6.390-324.0	Hose DN15	1.000	M	TO ORDER AS CUT GOODS
23	7.343-300.0	Lock washer 7-A2 DIN 6799	3.000	ST	
27	6.630-635.0	Micro switch lever suction bar	1.000	ST	
		Item text1: //1.384-111.0 / -121.0 / -123.0 / -161.0			
		Item text2: / -211.0 / -221.0 /-718.0 / -818.0			
18	6.362-101.0	O-Ring seal 8 X 2	1.000	ST	
22	6.362-090.0	O-Ring seal 46,0 X 3,0-NBR 70	1.000	ST	
21	6.368-076.0	Ornamental hub cap D10/D12	1.000	ST	
1	6.321-154.0	Push button D 8	1.000	ST	
13	7.303-107.0	Screw 5x16 -10.9-P2R (K-In6Rd)	8.000	ST	
24	5.049-826.0	Sheet metal component	1.000	ST	
14	5.061-374.0	Sheet metal component discharge	1.000	ST	
26	5.062-088.0	Sheet metal component stop lifting	1.000	ST	
6	7.303-065.0	Sheet metal screw ST3,5X25-ST-ZNBHL ISO	1.000	ST	
33	5.110-956.0	SLEEVE	1.000	ST	
25	6.472-982.0	Sphere D10	1.000	ST	
2	5.481-364.0	Suction bar lifting	1.000	ST	
16	4.390-008.0	Suction hose complete	1.000	ST	STANDARD
16	4.390-004.0	Suction hose complete oil resistant	1.000	ST	OIL RESISTANT
11	6.389-889.0	T-Piece 15/8/15	1.000	ST	

40 Piping

POS	Article no.	Description	Quantity	Unit	Foot note text
29	7.312-043.0	Washer 3-A2 ISO 7089	2.000	ST	
31	7.312-004.0	Washer 8 -200HV-A3E ISO 7089	2.000	ST	
32	7.312-153.0	Washer 10 -160HV-A3E EN28738	1.000	ST	

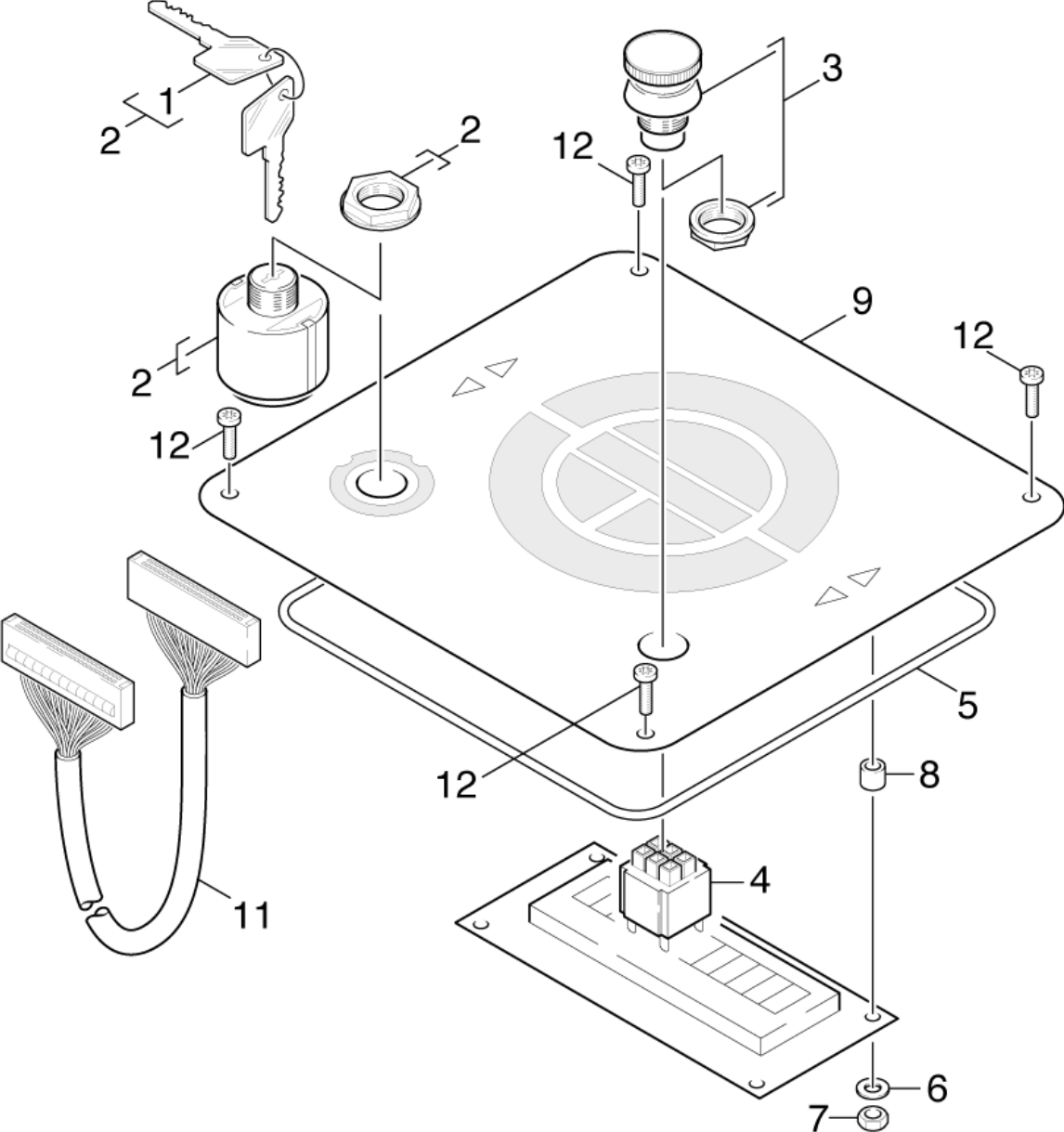
50 Operating element

POS	Description	Quantity	Unit	Remark
54	Control console	1.000	ST	//1.384-151.0/-152.0/-251.0/-252.0
53	Control console	1.000	ST	//1.384-111 >13571 /-121.0 / -123.0 >13707 /-718.0
52	Control console	1.000	ST	
51	Control system	1.000	ST	
56	Tachograph	1.000	ST	//1.384-151.0/-152.0/-251.0/-252.0
55	Tachograph	1.000	ST	



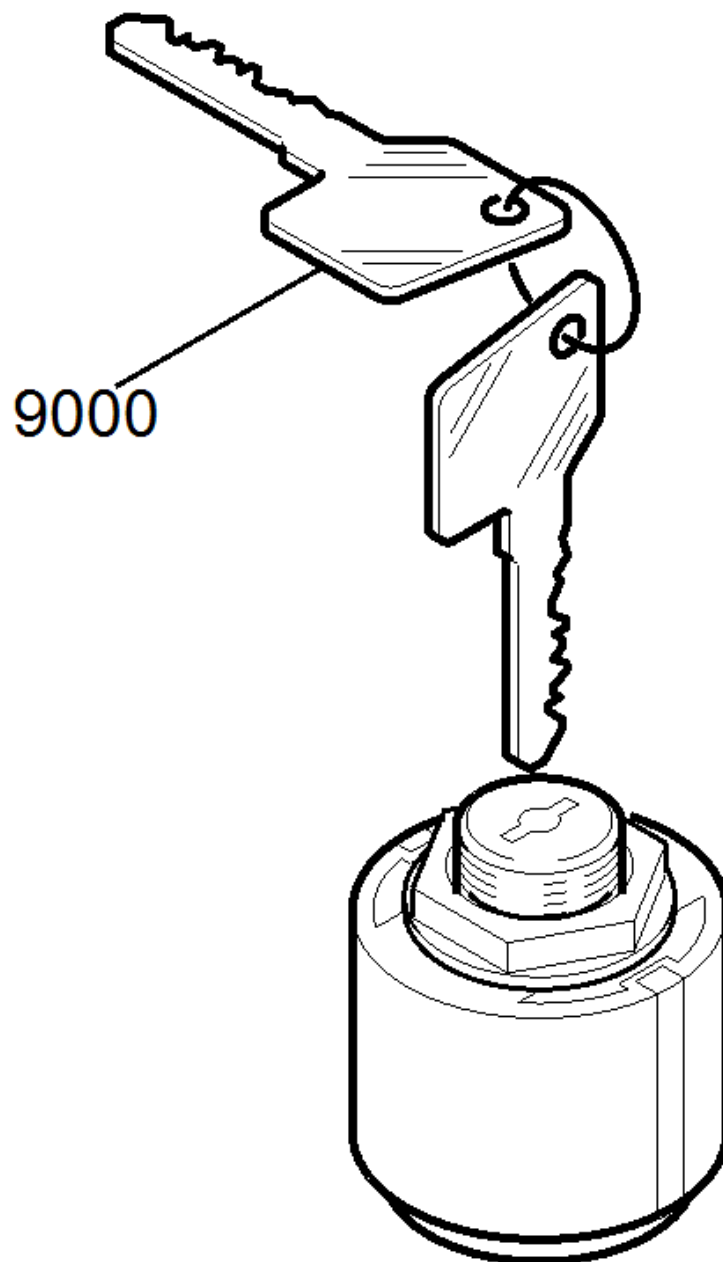
51 Control system

POS	Article no.	Description	Quantity	Unit
9	5.112-510.0	Bush	2.000	ST
3	7.306-044.0	Cylinder head screw M8x35 -8.8-A2E ISO4	3.000	ST
6	5.481-424.0	Lever left	1.000	ST
2	5.481-425.0	Lever right	1.000	ST
12	7.343-300.0	Lock washer 7-A2 DIN 6799	2.000	ST
17	6.362-384.0	O-Ring seal 9x1,5 - NBR 70	1.000	ST
10	5.044-520.0	Plate	1.000	ST
13	5.132-010.0	Plug	2.000	ST
1	6.368-295.0	Protecting cap	3.000	ST
5	4.034-124.0	Retaining bracket complete only for repl	1.000	ST
11	7.303-107.0	Screw 5x16 -10.9-P2R (K-In6Rd)	2.000	ST
8	7.306-058.0	Screw M 4X 12- 8.8-R2R K-IN6RD	2.000	ST
14	6.641-776.0	Strain relief	1.000	ST
	Item text1: 1.384-151 /-251.0			
7	7.312-002.0	Washer 5-200HV-A3E ISO 7089	2.000	ST
4	7.312-004.0	Washer 8 -200HV-A3E ISO 7089	3.000	ST
15	5.116-181.0	Washer sealing	1.000	ST
16	5.116-169.0	Washer sealing	1.000	ST



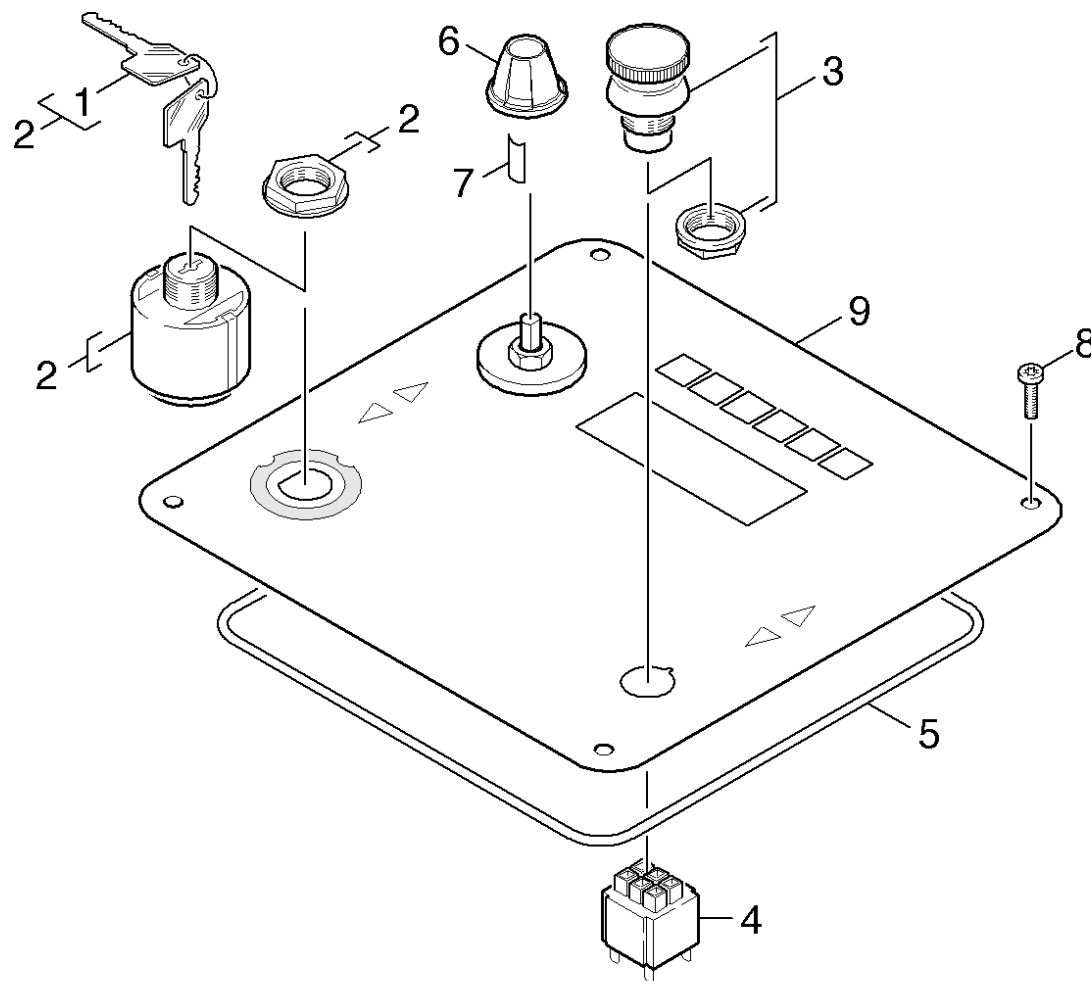
52 Control console

POS	Article no.	Description	Quantity	Unit	Foot note text
11	6.649-019.0	Cable control panel only for replacement	1.000	ST	
9	4.841-131.0	Control panel complete BR/BD 55/60 W	1.000	ST	
7	7.311-000.0	Hexagon nut M3 -6-A2E ISO 4032	6.000	ST	
1	6.600-210.0	Key only for replacement	1.000	ST	
2	6.630-106.0	Key switch	1.000	ST	
3	6.600-344.0	Pushbutton emergency stop	1.000	ST	
12	6.303-125.0	Screw 5x20-Sonder In6Rd+Spitze	4.000	ST	
5	6.273-196.0	Seal string cellular rubber	1.000	M	TO ORDER AS CUT GOODS
8	7.777-999.0	Stockpiling discontinued	6.000	ST	
4	6.600-114.0	Switch	1.000	ST	
6	7.312-011.0	Washer 3-200HV-A2E ISO 7092	6.000	ST	



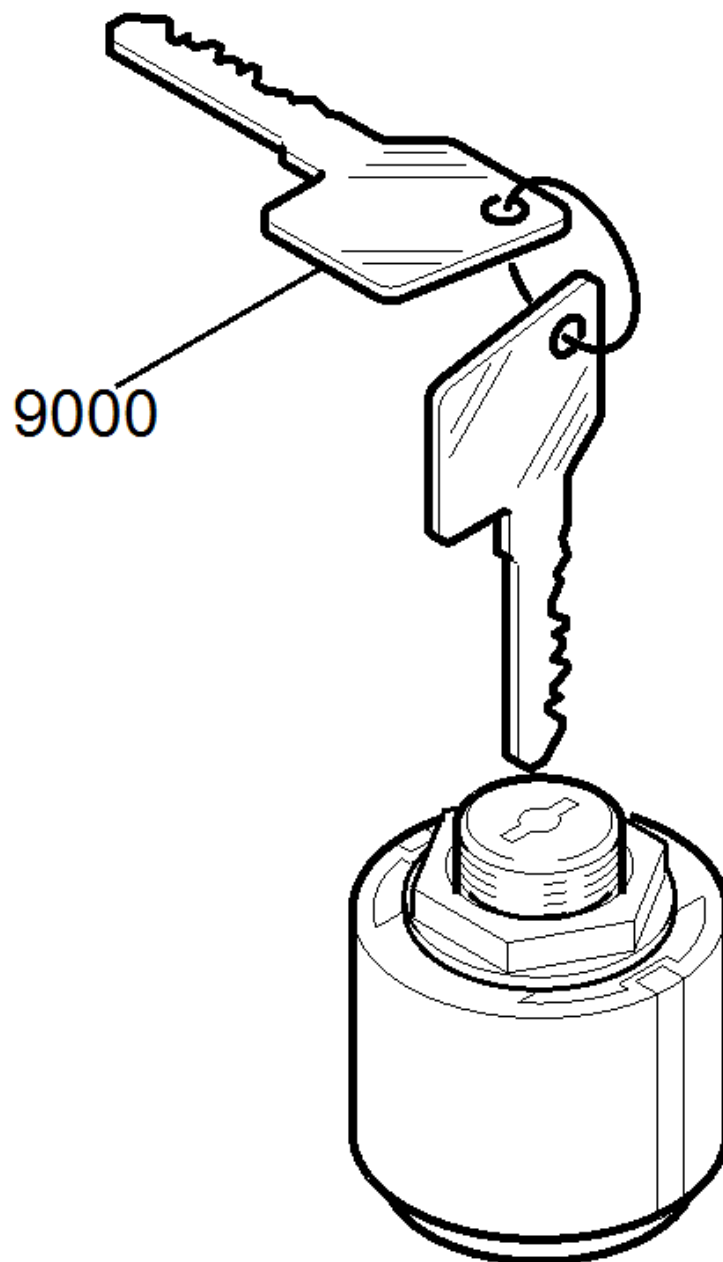
2 Key switch (6.630-106.0)

POS	Article no.	Description	Quantity	Unit
9000	6.600-210.0	Key only for replacement	1.000	ST



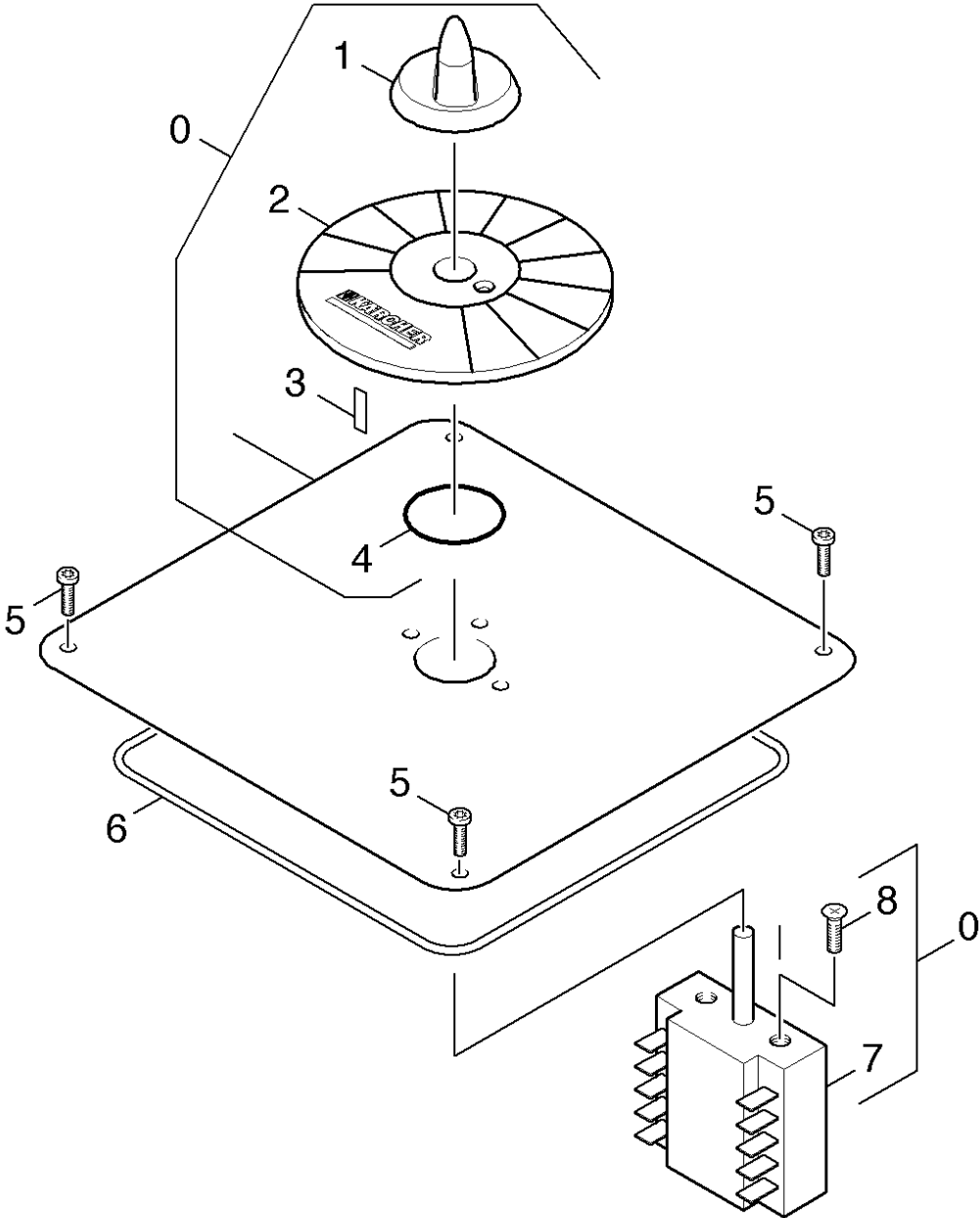
53 Control console

POS	Article no.	Description	Quantity	Unit	Foot note text
9	4.841-158.0	Control panel B 60 W	1.000	ST	
6	5.321-750.0	Handhold info panel	1.000	ST	
1	6.600-210.0	Key only for replacement	1.000	ST	
2	6.630-106.0	Key switch	1.000	ST	
3	6.600-344.0	Pushbutton emergency stop	1.000	ST	
8	6.303-125.0	Screw 5x20-Sonder In6Rd+Spitze	4.000	ST	
5	6.273-196.0	Seal string cellular rubber	1.000	M	TO ORDER AS CUT GOODS
7	6.313-014.0	Spring element	1.000	ST	
4	6.600-114.0	Switch	1.000	ST	



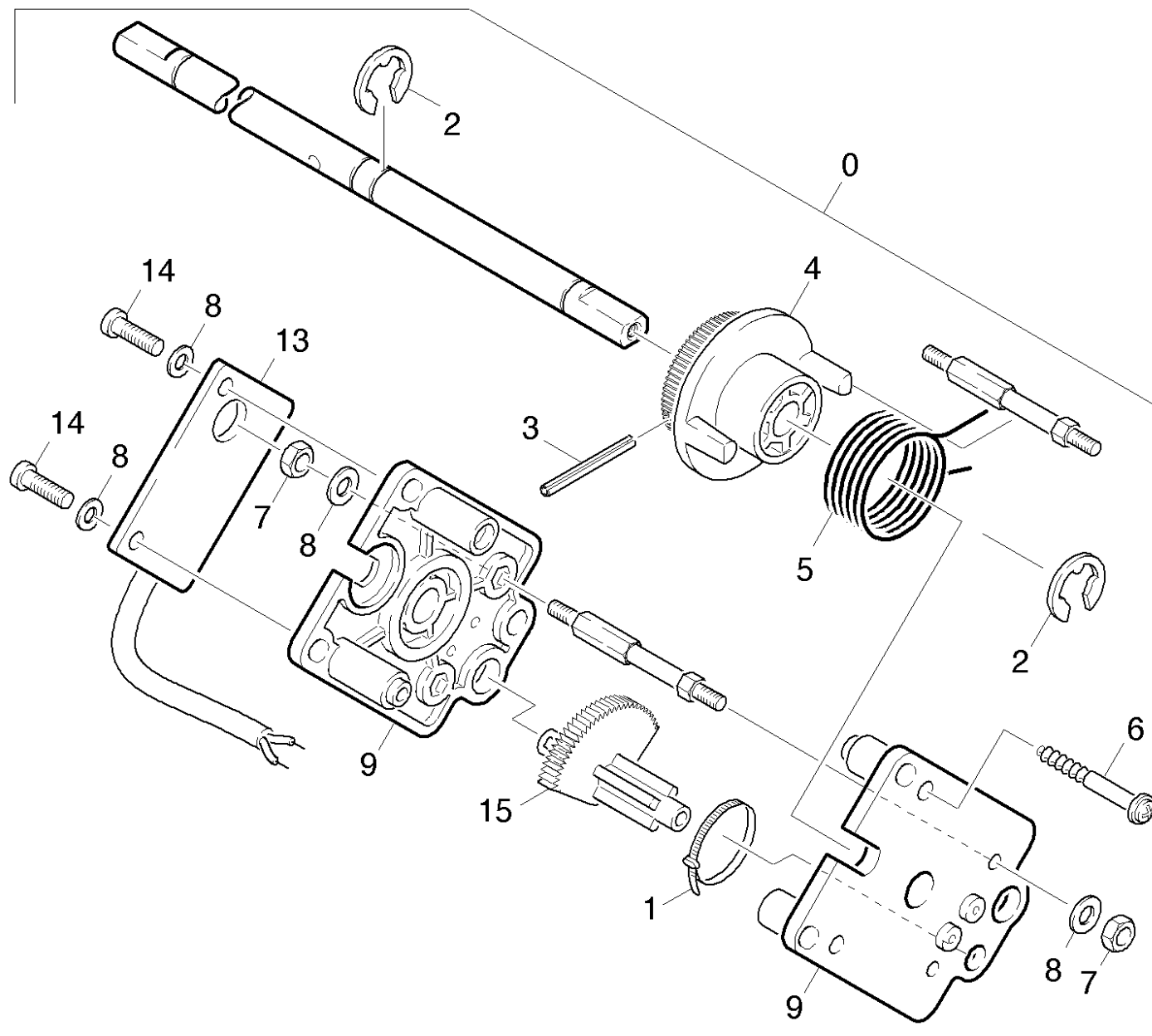
2 Key switch (6.630-106.0)

POS	Article no.	Description	Quantity	Unit
9000	6.600-210.0	Key only for replacement	1.000	ST



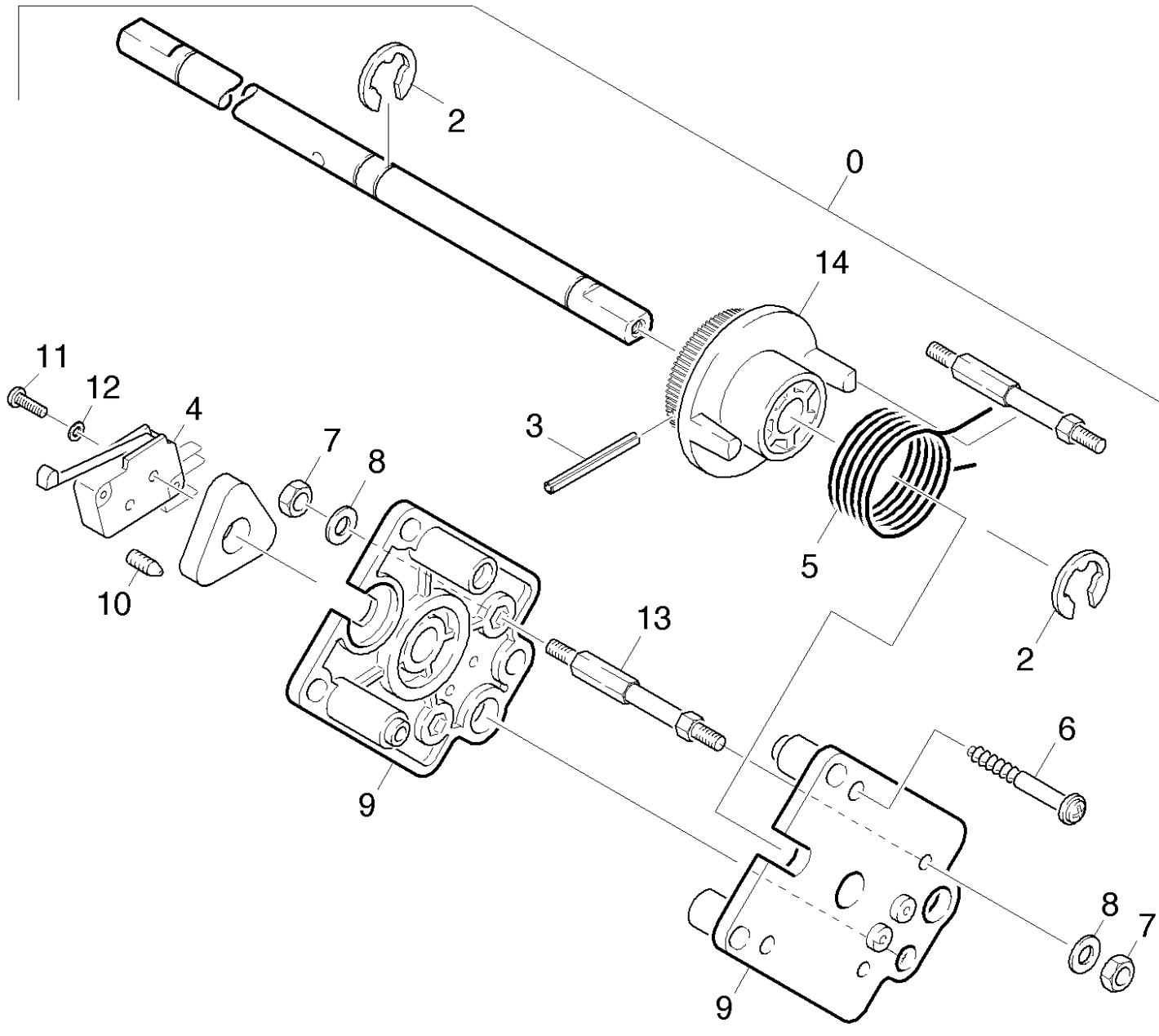
54 Control console

POS	Article no.	Description	Quantity	Unit	Foot note text
0	4.841-146.0	Control panel	1.000	ST	
8	7.305-036.0	Countersunk screw M4x12 -A2-70-s (IN6RD	2.000	ST	
1	5.321-738.0	Handhold operational concept	1.000	ST	
2	5.032-870.0	Moulded part symbol washer	1.000	ST	
4	6.362-410.0	O-Ring seal 40,4x1,5	1.000	ST	
5	6.303-125.0	Screw 5x20-Sonder In6Rd+Spitze	4.000	ST	
6	6.273-196.0	Seal string cellular rubber	1.000	M	TO ORDER AS CUT GOODS
3	6.313-014.0	Spring element	1.000	ST	
7	6.630-400.0	Switch mains	1.000	ST	



55 Tachograph

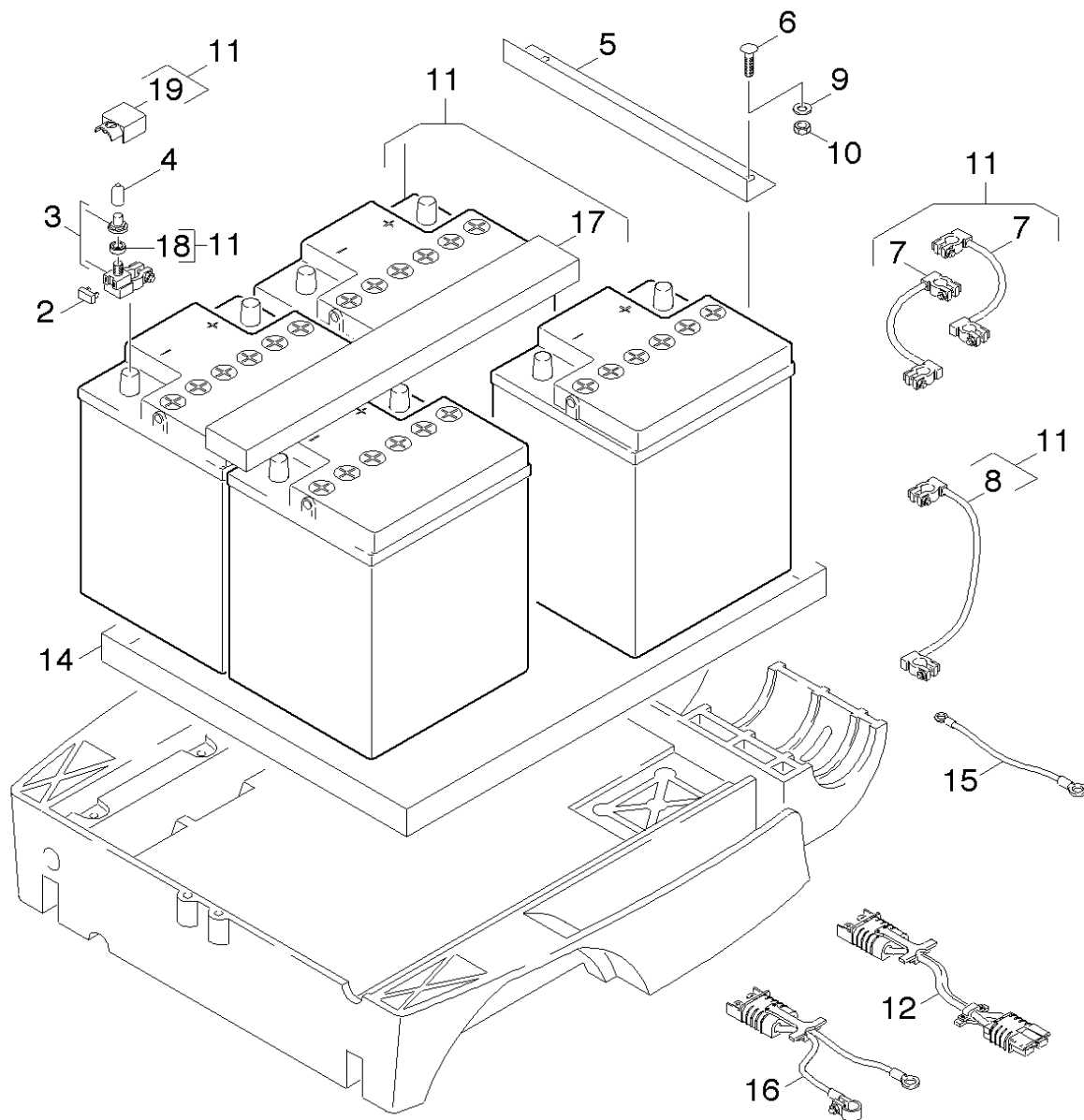
POS	Article no.	Description	Quantity	Unit
9	5.051-053.0	Base plate	2.000	ST
1	6.647-081.0	Cable tape	1.000	ST
13	6.682-551.0	Circuit board tachograph	1.000	ST
4	6.348-280.0	Gear wheel	1.000	ST
7	7.311-424.0	Hexagon nut M4 -8-A2E ISO 7040	2.000	ST
2	7.343-300.0	Lock washer 7-A2 DIN 6799	2.000	ST
6	7.303-085.0	Screw 4x 35 -10.9-R2R (K-In6Rd)	2.000	ST
14	7.306-058.0	Screw M 4X 12- 8.8-R2R K-IN6RD	2.000	ST
15	5.100-361.0	Shaft toothing	1.000	ST
3	7.314-933.0	Spring pin 3x35-St ISO 8752	1.000	ST
0	4.744-150.0	Tachograph	1.000	ST
5	6.330-085.0	Torsion spring	1.000	ST
8	7.312-281.0	Washer 4 -200HV-A2E ISO7093-1	4.000	ST



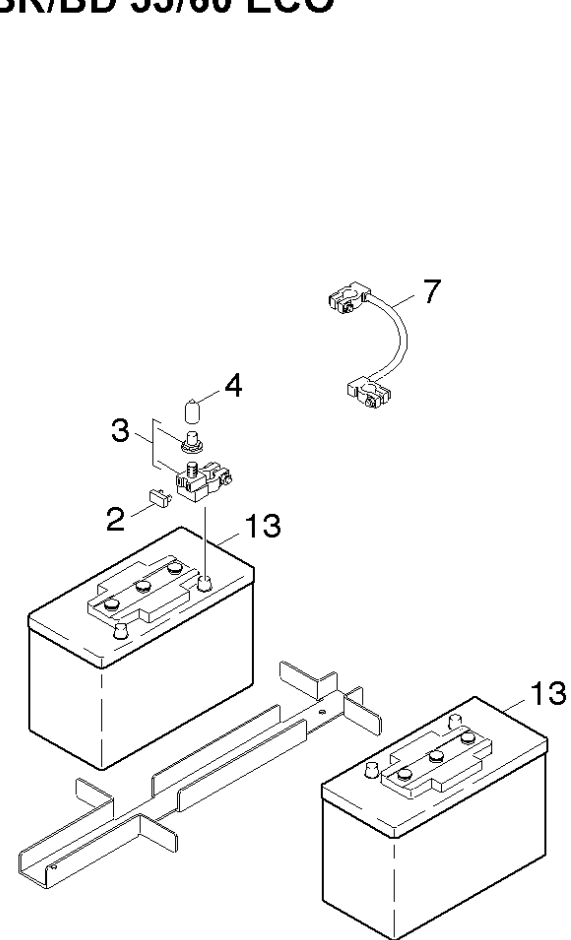
56 Tachograph

POS	Article no.	Description	Quantity	Unit
9	5.051-053.0	Base plate	2.000	ST
13	5.316-365.0	Bolt	1.000	ST
14	6.348-280.0	Gear wheel	1.000	ST
7	7.311-424.0	Hexagon nut M4 -8-A2E ISO 7040	2.000	ST
2	7.343-300.0	Lock washer 7-A2 DIN 6799	2.000	ST
6	7.303-085.0	Screw 4x 35 -10.9-R2R (K-In6Rd)	2.000	ST
11	7.306-045.0	Screw M2x20 -4.8-A2K DIN 84	2.000	ST
3	7.314-933.0	Spring pin 3x35-St ISO 8752	1.000	ST
10	7.777-999.0	Stockpiling discontinued	1.000	ST
4	6.631-816.0	Switch	1.000	ST
0	4.744-198.0	Tachograph BR/BD 55/60 WEP	1.000	ST
5	6.330-085.0	Torsion spring	1.000	ST
12	7.312-053.0	Washer 2,5-200HV-A3E ISO 7089	2.000	ST
8	7.312-281.0	Washer 4 -200HV-A2E ISO7093-1	2.000	ST

BR/BD 55/60



BR/BD 55/60 ECO

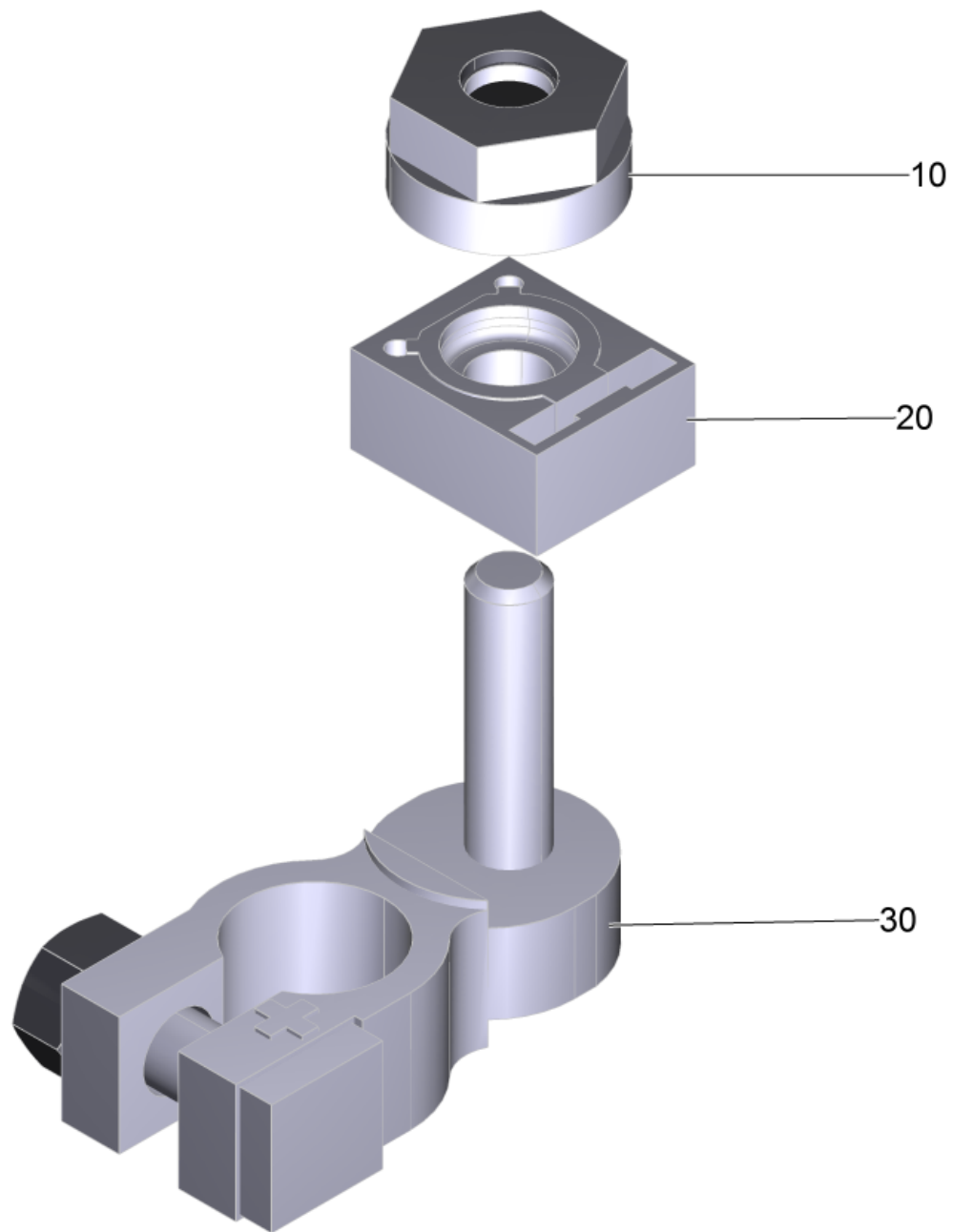


60 Battery

POS	Article no.	Description	Quantity	Unit	Serial number from	Remark	Foot note text
11	6.654-130.0	Battery kit 6V180AH	1.000	ZSA		6V/180AH	MAINTENANCE-FREE
11	6.654-070.0	Battery kit NASS 6V180AH	1.000	ZSA		6V/175AH	LOW-MAINTENANCE
11	6.654-254.0	Battery kit only for replacement - Hoppecke	1.000	ZSA		Hoppecke	MAINTENANCE-FREE
8	6.647-737.0	Cable battery 16 mm ²	1.000	ST			
7	6.647-738.0	Cable battery 16 mm ²	2.000	ST			QUANTITY ACCORDING TO DEMAND
8	6.649-602.0	Cable battery long Hoppecke	1.000	ST		Hoppecke	
7	6.649-601.0	Cable battery short Hoppecke	2.000	ST		Hoppecke	QUANTITY ACCORDING TO DEMAND
15	6.648-298.0	Cable black 10,0mm ² x300mm	3.000	ST			
	Item text1: //1.384-718.0 / -818.0						
19	5.379-039.0	Covering cap battery terminal Hoppecke	1.000	ST		Hoppecke	
17	5.005-311.0	Distance plate battery Hoppecke	1.000	ST		Hoppecke	
13	4.035-182.0	Drive battery maintenance free replaceme	2.000	ST			MAINTENANCE-FREE
2	6.644-360.0	Fuse 125A, 58VDC	1.000	ST	13707		
	Item text1: //1.384-111.0 / -121.0 / -123.0 / -161.0						
	Item text2: / -718.0						
2	6.644-333.0	Fuse 150A	1.000	ST			
	Item text1: //1.384-211.0 / -221.0 / -818.0						
10	7.311-067.0	Hexagon nut M 6-A2-70 ISO 4032	2.000	ST			
1	6.644-348.0	Nut with flange	1.000	ST			
3	6.643-883.0	Pole binder single	1.000	ST			
	Item text1: //1.384-211.0 / -221.0 / -818.0						
3	6.643-948.0	Pole binder single	1.000	ST	13707		
	Item text1: //1.384-111.0 / -121.0 / -123.0 / -161.0						
	Item text2: / -718.0						
4	6.368-294.0	Protecting cap black 1/4" PVC	1.000	ST			
6	7.303-187.0	Saucer-head screw M6x16-A2 DIN 603	2.000	ST			

60 Battery

POS	Article no.	Description	Quantity	Unit	Serial number from	Remark	Foot note text
5	5.058-481.0	Sheet metal component fixing battery	1.000	ST			
18	5.027-318.0	Spacer sleeve clamp Hoppecke	1.000	ST		Hoppecke	
12	6.648-582.0	Supply cable	1.000	ST			
16	6.649-457.0	Supply cable BR/BD 55/60 Bp	1.000	ST			
14	5.039-042.0	Tub battery BR/BD TRIKE, 750	1.000	ST			
	Item text1: //1.384-718.0 / -818.0						
9	7.312-026.0	Washer 6 -A2 ISO 7089	2.000	ST			

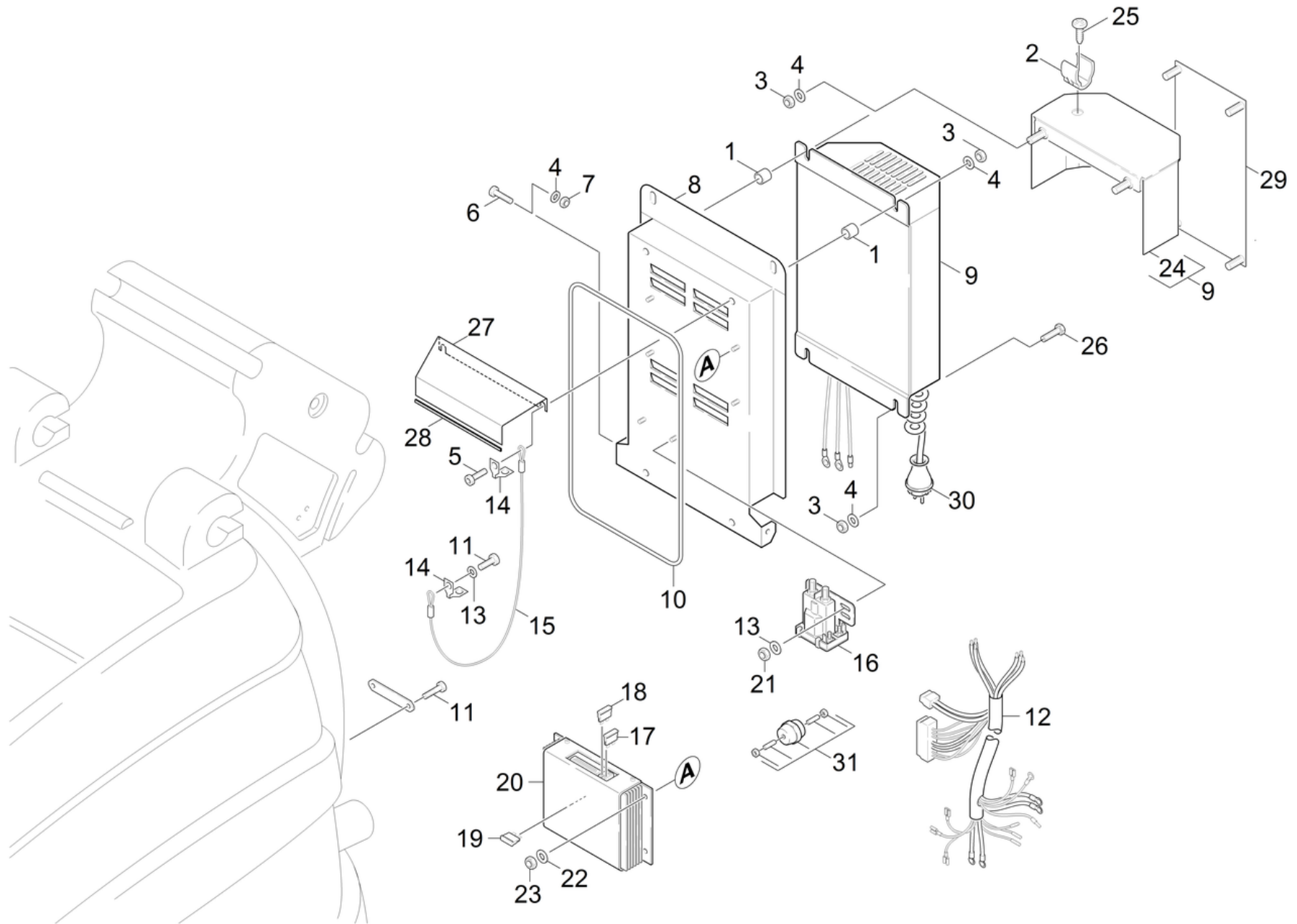


3 Pole binder single (6.643-948.0)

POS	Article no.	Description	Quantity	Unit
30	6.644-530.0	Battery clamp	1.000	ST
20	6.644-360.0	Fuse 125A, 58VDC	1.000	ST
10	6.644-348.0	Nut with flange	1.000	ST

70 Electricics

POS	Description	Quantity	Unit	Remark
72	Electricics	1.000	ST	//1.384-151.0/-152.0/-251.0/-252.0
71	Electricics	1.000	ST	

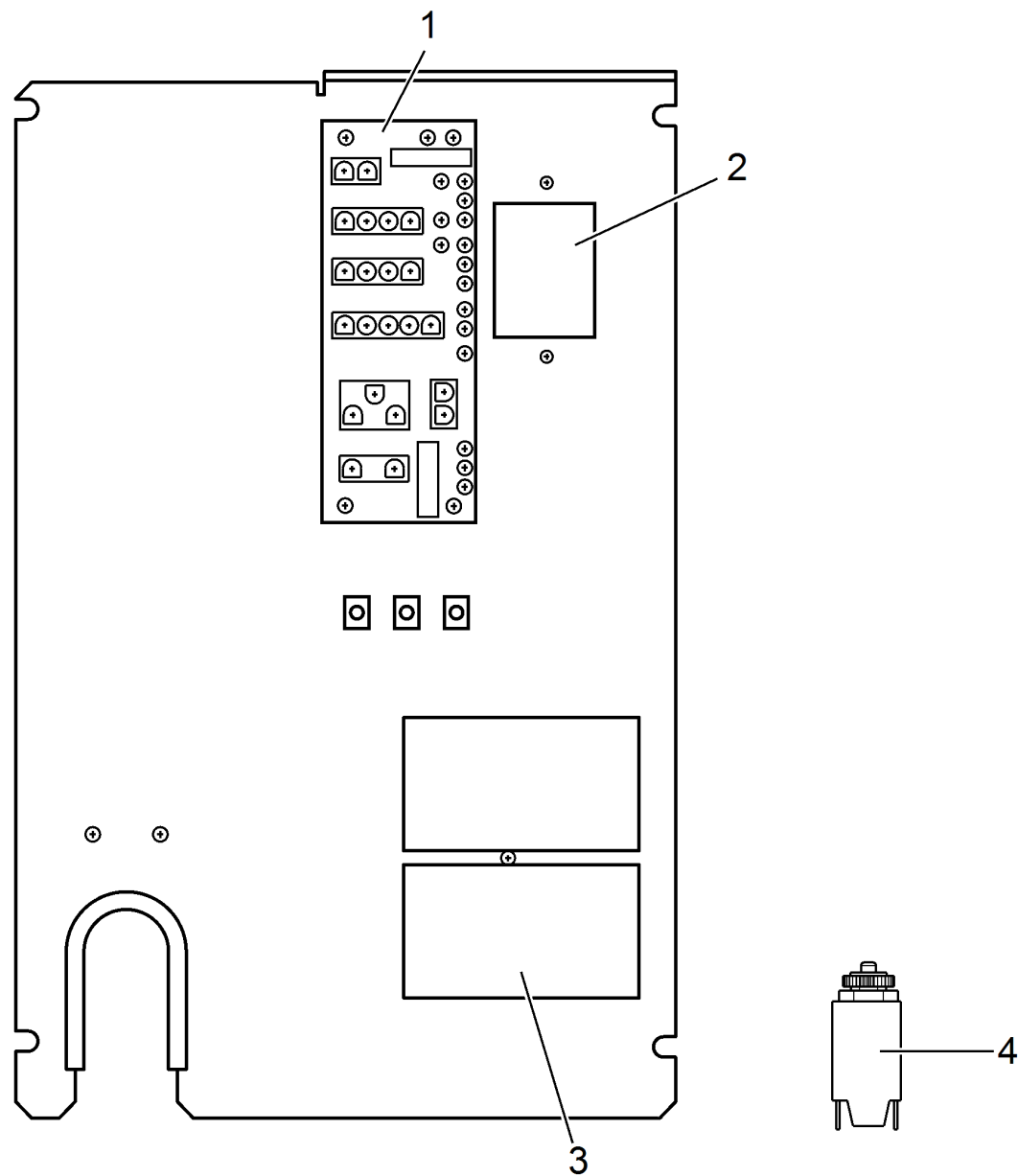


71 Electricics

POS	Article no.	Description	Quantity	Unit	Serial number from	Remark	Foot note text
9	6.654-175.0	Battery charger	1.000	ST			
	Item text1: //1.384-161.0						
9	6.654-207.0	Battery charger 24V	1.000	ST			
9	6.654-180.0	Battery charger VEX BRBD	1.000	ST		90-240V	
	Item text1: //1.384-111/ -211.0						
2	5.839-410.0	Cable clip	2.000	ST			
12	4.822-224.0	Cable harness Package BR/BD 55/60 M	1.000	ST			
20	6.682-730.0	Circuit board	1.000	ST	13707	//1.384-111 /-121 /-718.0	
20	6.682-661.0	Circuit board control system BR/BD 55/60	1.000	ST			
31	2.885-395.0	Conversion kit isolator	1.000	ST			
28	6.368-089.0	Edge protection	1.000	M			TO ORDER AS CUT GOODS
18	7.644-006.0	Fuse insert C 3 DIN 72581-3	1.000	ST		3 AMP	
17	7.644-007.0	Fuse insert C 7,5 DIN 72581-3	1.000	ST		7,5 AMP	
19	7.644-040.0	Fuse insert C30 DIN 72581-3	1.000	ST		30 AMP	
23	7.311-000.0	Hexagon nut M3 -6-A2E ISO 4032	4.000	ST			
21	7.311-002.0	Hexagon nut M5 -6-A2E ISO 4032	2.000	ST			
3	7.311-003.0	Hexagon nut M6 -8-A2E ISO 4032	4.000	ST			
7	7.311-512.0	Hexagon nut M 6-8-A2E ISO 7040	2.000	ST			
14	5.001-987.0	Plate bracket fuer Kette	2.000	ST			
30	6.650-113.0	Power cable only for replacement	1.000	ST		Pos.9 / 6.654-207.0	
30	6.650-135.0	Power cable only for replacement	1.000	ST		Pos.9 / 6.654-175.0	
16	6.633-389.0	Relay	1.000	ST			
15	4.172-021.0	Rope electric box	1.000	ST			
11	7.303-107.0	Screw 5x16 -10.9-P2R (K- In6Rd)	3.000	ST			
25	7.306-217.0	Screw M5x14 -8.8-R2R (In6Rd)	2.000	ST	11674		

71 Electricics

POS	Article no.	Description	Quantity	Unit	Serial number from	Remark	Foot note text
26	7.306-090.0	Screw M6x16 -8.8-R3R (In6Rd)	4.000	ST			
5	7.303-047.0	Screw M6x16 -St-R3R (In6Rd)	5.000	ST			
6	7.306-198.0	Screw M 6x40-A2-70 (IN6RD)	2.000	ST			
10	6.273-196.0	Seal string cellular rubber	1.000	M			TO ORDER AS CUT GOODS
27	5.061-648.0	Sheet metal component protection shield	1.000	ST			
29	5.064-310.0	Sheet metal component rib air inlet	1.000	ST			
1	5.110-495.0	Sleeve	4.000	ST			
8	7.777-999.0	Stockpiling discontinued	1.000	ST			
24	7.777-999.0	Stockpiling discontinued	1.000	ST	11674		
22	7.312-001.0	Washer 4 -200HV-A3E ISO 7089	4.000	ST			
13	7.312-002.0	Washer 5-200HV-A3E ISO 7089	5.000	ST			
4	7.312-003.0	Washer 6 -200HV-A3E ISO 7089	4.000	ST			

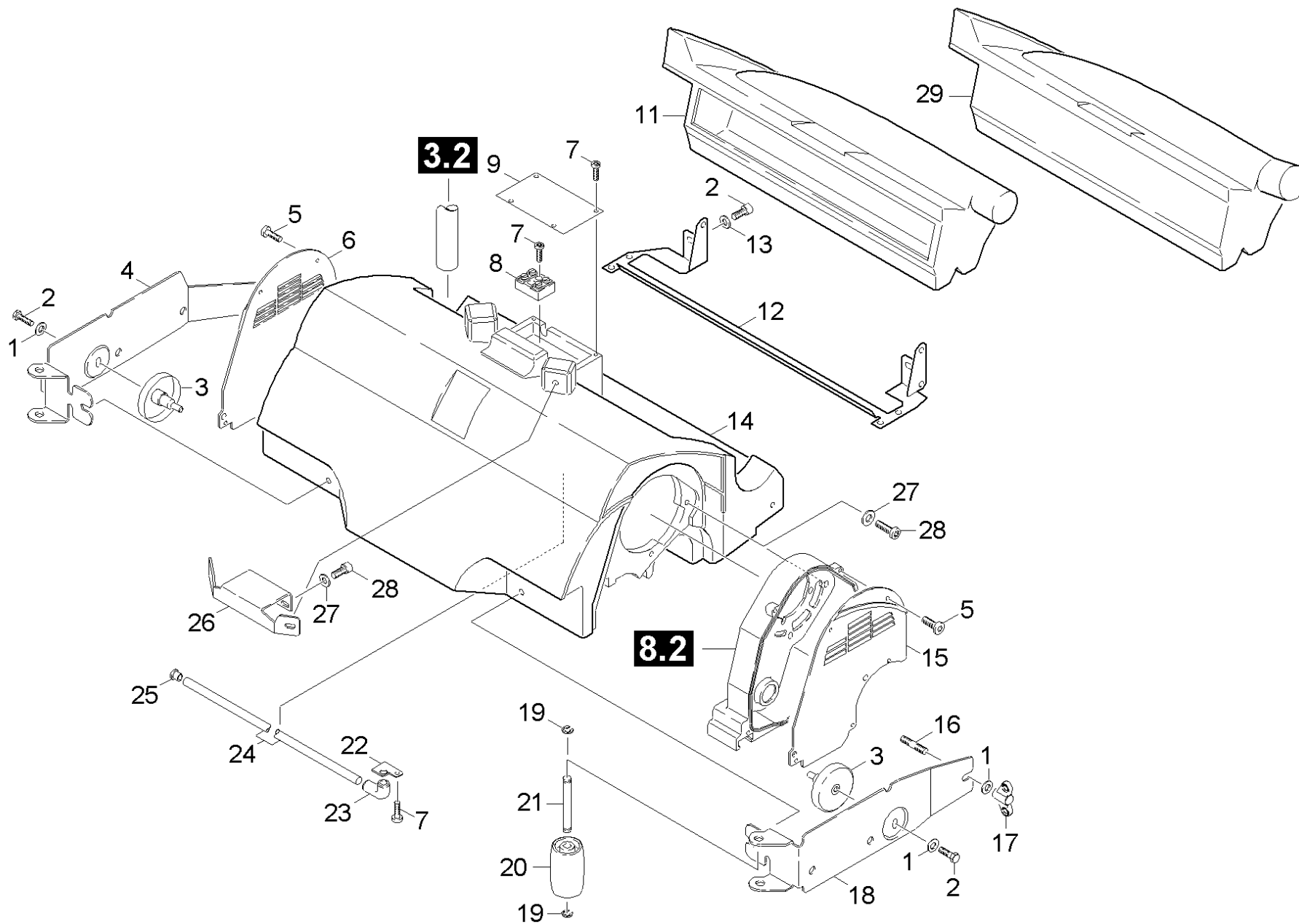


72 Electricics

POS	Article no.	Description	Quantity	Unit
3	6.661-215.0	Capacitor	1.000	ST
1	6.682-804.0	Circuit board distributor	1.000	ST
4	6.630-081.0	Fuse motor protecting 7A	1.000	ST
2	6.633-420.0	Relay	1.000	ST

80 Power brush

POS	Description	Quantity	Unit	Remark
86	Conversion kit pivot point long BR 65/60	1.000	ST	
81	Individual parts	1.000	ST	(BR)
83	Individual parts	1.000	ST	(BD)
85	Individual parts transmission	1.000	ST	1.384-123.0
82	Transmission	1.000	ST	(BR)
84	Transmission	1.000	ST	(BD)

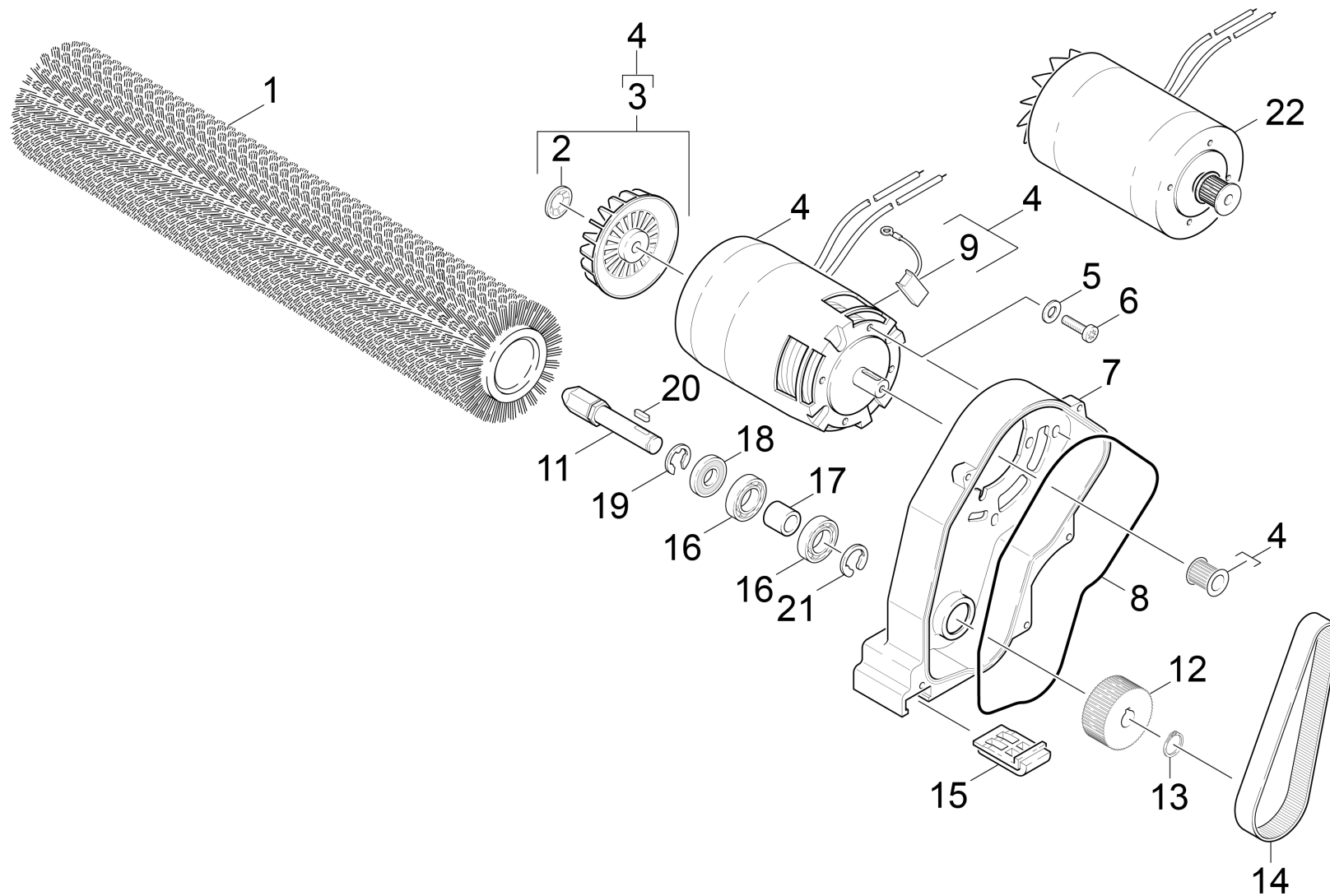


81 Individual parts

POS	Article no.	Description	Quantity	Unit	Remark	Foot note text
21	5.317-084.0	Bolt	2.000	ST		
14	5.060-967.0	Brush housing	1.000	ST		
	Item text1: 1.384-111.0 / -121.0 / -161.0 / -718.0					
14	5.061-129.0	Brush housing BR 55/60 WEP	1.000	ST		
	Item text1: 1.384-151.0 / -152.0					
15	5.032-418.0	Covering cap	1.000	ST		
6	5.032-364.0	Covering cap transmission right	1.000	ST		
25	6.368-068.0	Drain plug 10,7	1.000	ST		
19	7.343-205.0	Lock washer 9-St-A2E DIN 6799	4.000	ST		QUANTITY ACCORDING TO DEMAND
9	5.007-699.0	Plate	1.000	ST		
22	5.007-698.0	Plate	1.000	ST		
20	6.435-341.0	Roller D45	2.000	ST		
23	5.379-027.0	Rubber bushing rubber	1.000	ST		
7	7.303-104.0	Screw 5x16 -A2-70 (IN6RD)	8.000	ST		
5	7.303-328.0	Screw M5x8 -St-flZn/nc480h/C (In6Rd)	8.000	ST		
28	7.306-031.0	Screw M 6x16-A2-70 DIN 7984	12.000	ST		
2	7.306-218.0	Screw M 8x16-A2-70 DIN 7984	2.000	ST		
3	4.038-678.0	Sheet metal component	2.000	ST		
26	5.058-361.0	Sheet metal component	1.000	ST		
4	5.058-364.0	Sheet metal component	1.000	ST		
18	5.058-363.0	Sheet metal component covering cap left	1.000	ST		
12	5.055-302.0	Stay	1.000	ST		
8	6.643-840.0	Strip terminal	1.000	ST	(+7.306-104.0)	
11	5.070-623.0	Tank refuse	1.000	ST		
	Item text1: 1.384-111.0 / -121.0 / -161.0 / -718.0					
29	5.070-709.0	Tank refuse	1.000	ST		
	Item text1: 1.384-151.0 / -152.0					
16	7.307-356.0	Threaded pin M 8 x 30-A2-21H ISO 4029	4.000	ST		
24	5.128-520.0	Tube	1.000	ST		
27	7.312-292.0	Washer 6 -A2 ISO 7093-1	12.000	ST		
1	7.312-289.0	Washer 8 -A2 ISO 7093-1	6.000	ST		
13	7.312-017.0	Washer 8-A2 ISO 7089	4.000	ST		

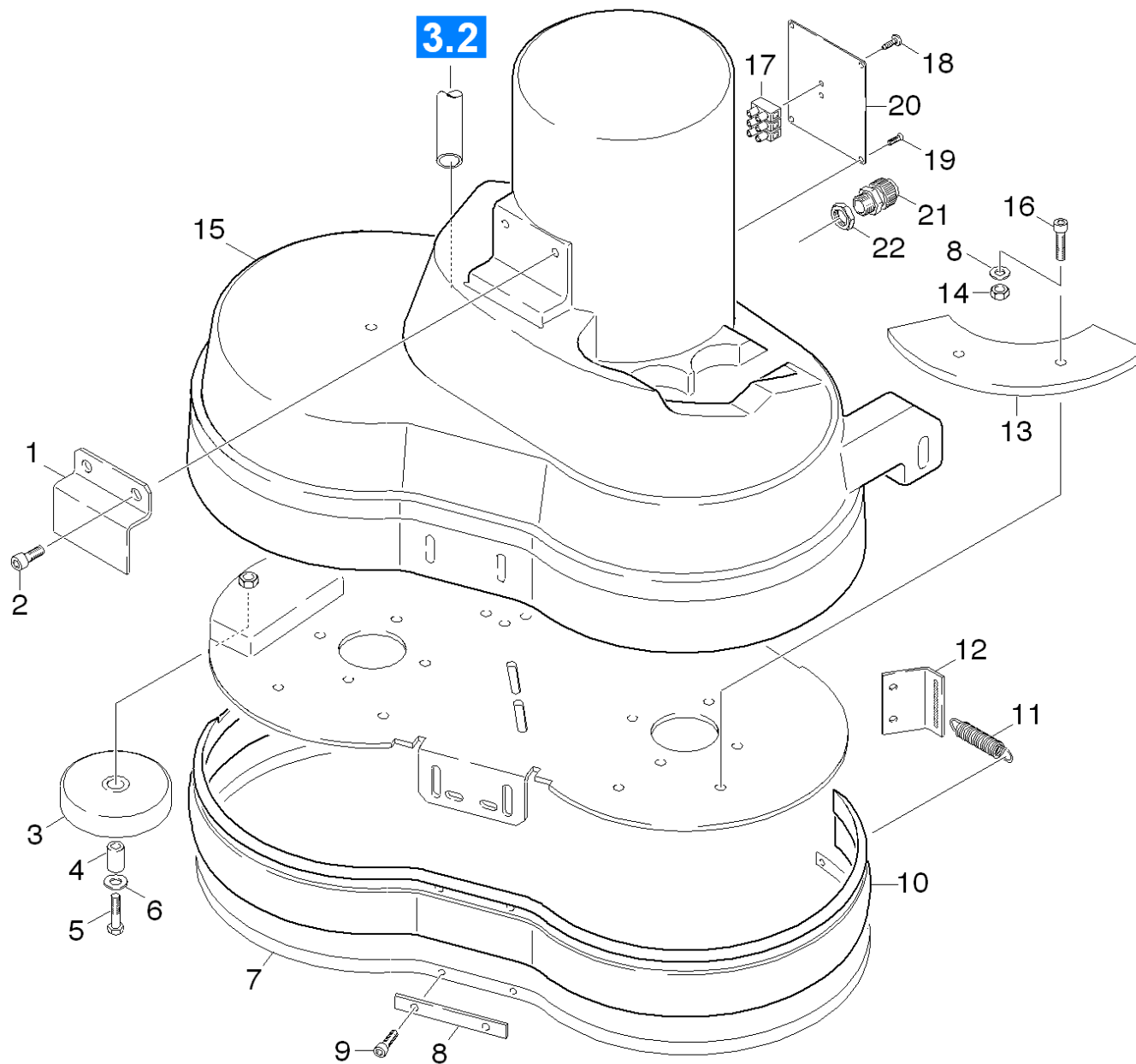
81 Individual parts

POS	Article no.	Description	Quantity	Unit	Remark	Foot note text
17	6.310-181.0	Wing nut grey M8	4.000	ST		



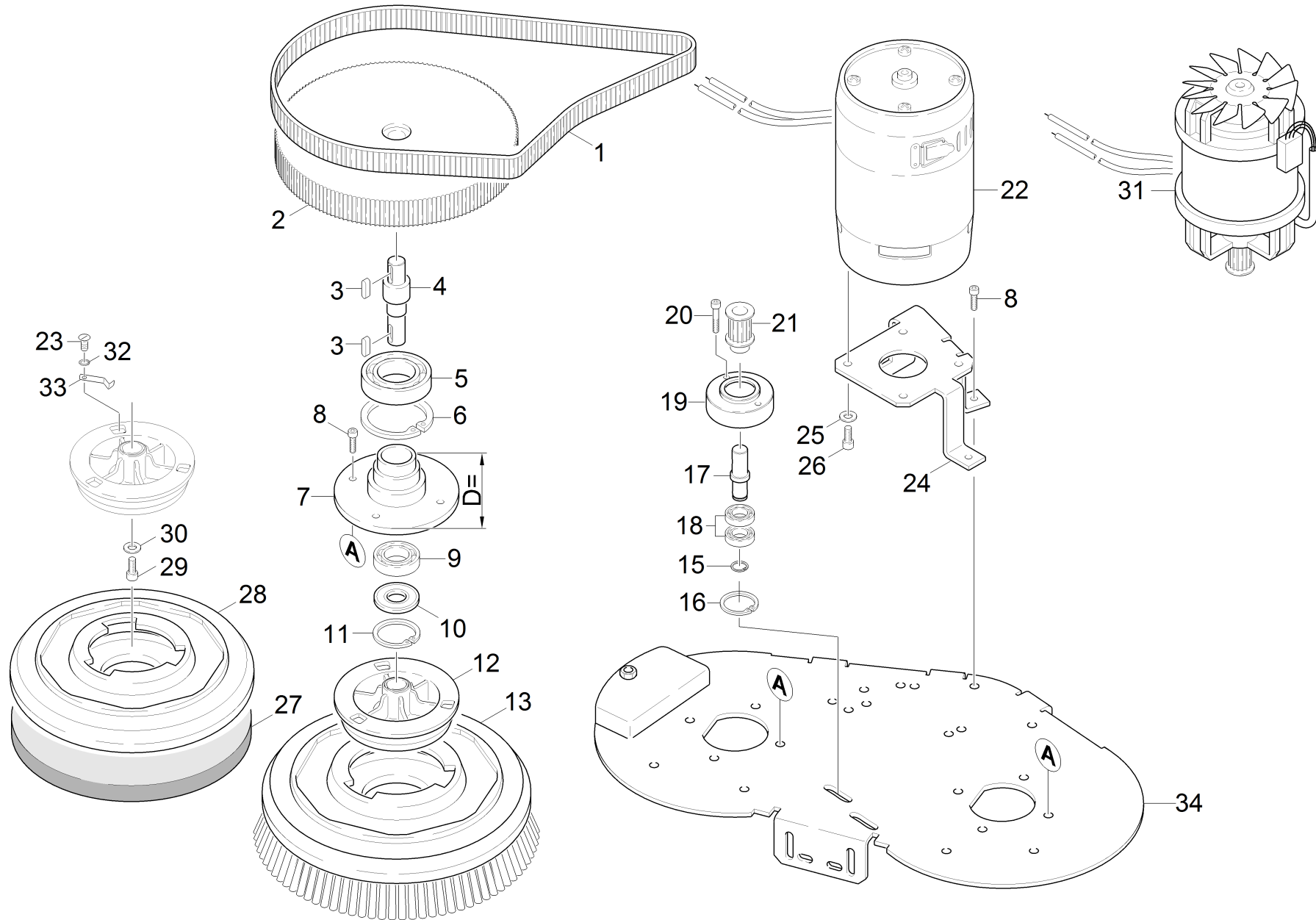
82 Transmission

POS	Article no.	Description	Quantity	Unit	Remark	Foot note text
16	7.401-115.0	Ball bearing 6002-2RS -WAE LZLAGST DIN 62	4.000	ST		
3	6.613-025.0	Blower wheel	2.000	ST	ATAS	
	Item text1: 1.384-111.0 / -121.0 / -161.0 / -718.0					
3	6.610-027.0	Blower wheel only for replacement Hengye	2.000	ST	Hengye	
9	6.610-216.0	Carbon brush set	1.000	ZSA	AMER	
9	6.610-026.0	Carbon brush set	1.000	ST	Hengye	
9	6.610-239.0	Carbon brush set ATAS	1.000	ST	ATAS	
11	5.100-416.0	Driveshaft	2.000	ST		
18	6.363-158.0	Joint ring Nilosring	2.000	ST		
13	7.343-015.0	Locking ring 15x1-FST-RF DIN 471	2.000	ST		
21	7.343-046.0	Locking ring 32x1,2 -Rf-St DIN 472	2.000	ST		
19	7.343-304.0	Lock washer 15 -A2 DIN 6799	4.000	ST		
22	4.623-747.0	Motor complete BR 55/60 WEP	1.000	ST	230V	
	Item text1: 1.384-151.0 / -152.0					
4	4.623-034.0	Motor complete only for replacement 24V	2.000	ST	24V//600W/ATAS Motor	
	Item text1: 1.384-111.0 / -121.0 / -161.0 / -718.0					
20	7.318-002.0	Parallel key 5x5x16 -C45K DIN 6885-1	2.000	ST		
7	5.044-639.0	Retainer plate transmission	2.000	ST		
15	5.056-010.0	Rocker BR-VS	2.000	ST		
1	5.762-300.0	Roller brush black (old colour grey)	2.000	ST	1 MM	
1	5.762-299.0	Roller brush green (old colour grey)	2.000	ST	0,6 MM	
1	5.762-298.0	Roller brush orange (old colour red)	2.000	ST		
1	5.762-348.0	Roller brush red (old colour white)	2.000	ST		
1	5.762-297.0	Roller brush white (old colour black)	2.000	ST		
6	7.306-031.0	Screw M 6x16-A2-70 DIN 7984	8.000	ST		
2	6.363-149.0	Seal NBR	2.000	ST		
8	6.273-037.0	Seal string cellular rubber 3	1.000	M		TO ORDER AS CUT GOODS
17	5.110-942.0	Sleeve	2.000	ST		
14	6.348-382.0	Toothed belt	2.000	ST		
12	5.625-425.0	Toothed belt pulley	2.000	ST		
5	7.312-292.0	Washer 6 -A2 ISO 7093-1	8.000	ST		



83 Individual parts

POS	Article no.	Description	Quantity	Unit	Remark
21	6.647-714.0	Cable gland M20x1,5	1.000	ST	
	Item text1: 1.384-251.0 / -252.0				
15	5.069-170.0	Cover Disc	1.000	ST	
20	5.007-828.0	Cover plate	1.000	ST	
	Item text1: 1.384-211 /-221 /-818.0				
5	7.306-019.0	Cylinder head screw M8x35 -A4-70 ISO 47	1.000	ST	
16	7.306-075.0	Cylinder head screw M 8x 40-8.8-A2E ISO	4.000	ST	
3	5.435-012.0	Deflector roll	1.000	ST	
11	6.330-214.0	Extension spring	2.000	ST	
2	7.304-538.0	Hexagonal head screw M8x16-A4-70 ISO 40	2.000	ST	
14	7.311-068.0	Hexagon nut M 8-A2-70 ISO 4032	4.000	ST	
12	5.043-035.0	Holder spring	2.000	ST	
22	6.648-416.0	Locknut black M20	1.000	ST	
	Item text1: 1.384-251.0 / -252.0				
8	5.007-827.0	Plate front	1.000	ST	
1	5.007-829.0	Retaining plate	1.000	ST	
19	7.303-104.0	Screw 5x16 -A2-70 (IN6RD)	4.000	ST	
18	7.306-207.0	Screw M4x12 -A2-70 (In6Rd)	2.000	ST	
9	7.306-199.0	Screw M 6x50-A2-70 (IN6RD)	2.000	ST	
4	5.112-714.0	Sleeve	1.000	ST	
10	5.394-682.0	Splash-proof profile	1.000	ST	
17	6.643-840.0	Strip terminal	1.000	ST	(+7.306-067.0)
	Item text1: 1.384- 211 /-221 /-818.0				
7	5.260-041.0	Tightening strap	1.000	ST	
6	7.312-017.0	Washer 8-A2 ISO 7089	5.000	ST	
13	5.006-779.0	Weight	12.000	ST	

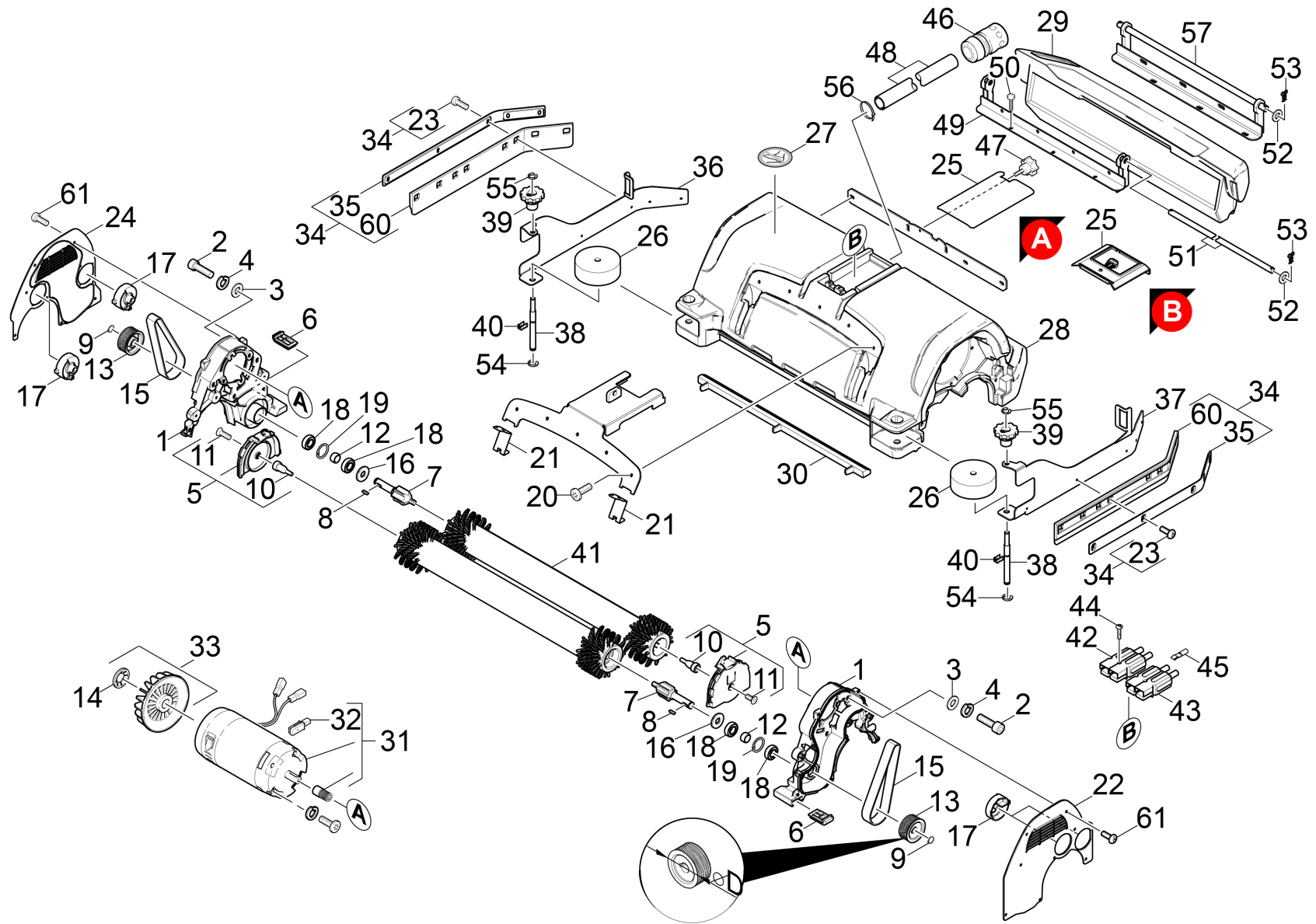


84 Transmission

POS	Article no.	Description	Quantity	Unit	Remark	Foot note text
5	7.401-112.0	Ball bearing 6008-2RS Wälzl.St DIN 625	2.000	ST		
18	7.401-128.0	Ball bearing 6202-2RS -Wälzl.St DIN 625	2.000	ST		
9	7.401-173.0	Ball bearing 6204-2RS-WAELZLAGST DIN 625	2.000	ST		
19	5.253-019.0	Bearing flange	2.000	ST		3 DRILLINGS
2	5.625-429.0	Belt pulley Z=160	2.000	ST		
17	5.108-252.0	Bolt	1.000	ST		
34	4.058-129.0	Carrier	1.000	ST		
26	7.306-144.0	Cylinder head screw M 8x20-A2-70 ISO 47	4.000	ST		
27	6.371-234.0	Diamond pad green set 5x Ø306	2.000	ST		
27	6.371-248.0	Diamond pad white set 5x Ø306	2.000	ST		
27	6.371-249.0	Diamond pad yellow set 5x Ø306	2.000	ST		
13	6.906-564.0	Disc brush black (old colour grey)	1.000	ST		
13	6.906-565.0	Disc brush nature BD 55/65	1.000	ST		NATURE
13	6.906-563.0	Disc brush red (old colour white)	1.000	ST		
28	6.906-566.0	Disk	1.000	ST		QUANTITY ACCORDING TO DEMAND
19	5.253-022.0	FLANGE	2.000	ST		2 DRILLINGS
7	5.122-438.0	Flange	2.000	ST	D=110mm	
7	5.122-432.0	Flange	2.000	ST	D=130mm	
12	4.122-140.0	Flange complete	2.000	ST		
29	7.304-538.0	Hexagonal head screw M8x16-A4-70 ISO 40	2.000	ST		
24	5.044-675.0	Holder motor	1.000	ST		
15	7.343-015.0	Locking ring 15x1-FST-RF DIN 471	2.000	ST		
16	7.343-167.0	Locking ring 35x1,5-FST-BR DIN 472	2.000	ST		
11	7.343-115.0	Locking ring 47x1,75 -St-ph DIN 472	2.000	ST		
6	7.343-068.0	Locking ring 68x2,5-Fst-Phr DIN 472	2.000	ST		
22	4.623-605.0	Motor complete	1.000	ST	24V	
31	4.623-748.0	Motor complete BD 55/60 WEP	1.000	ST	230V	
	Item text1: 1.384-251.0 / -252.0					
27	6.369-958.0	Pad Mikrofaser	1.000	ZSA		TO BE ORDERED TOGETHER WITH POS. 20

84 Transmission

POS	Article no.	Description	Quantity	Unit	Remark	Foot note text
3	7.318-030.0	Parallel key 6x6x25 -C45K DIN 6885-1	4.000	ST		
33	5.337-033.0	Plate spring	3.000	ST		
27	6.369-828.0	Polishing pad black	2.000	ST		
27	6.369-827.0	Polishing pad green	2.000	ST		
27	6.369-826.0	Polishing pad red	2.000	ST		
23	7.306-213.0	Screw M5x6 -A2-70 (In6Rd)	3.000	ST		
14	7.306-193.0	Screw M6x16 -A2-70 (In6Rd)	2.000	ST		
20	7.306-195.0	Screw M 6x25-A2-70 (IN6RD)	3.000	ST		
8	7.303-067.0	Screw M8x16-ST-R3R (IN6RD)	3.000	ST		
10	6.363-239.0	Seal NILOSRING	2.000	ST		
32	7.312-041.0	Serrated lock washer A5,3-1.4310 DIN 67	3.000	ST		
4	5.100-440.0	Shaft belt pulley	2.000	ST		
1	6.348-399.0	Toothed belt	1.000	ST		
21	5.625-333.0	Toothed belt pulley	1.000	ST		
30	7.312-268.0	Washer 8 -A2 ISO 7094	2.000	ST		
25	7.312-017.0	Washer 8-A2 ISO 7089	4.000	ST		



85 Individual parts transmission

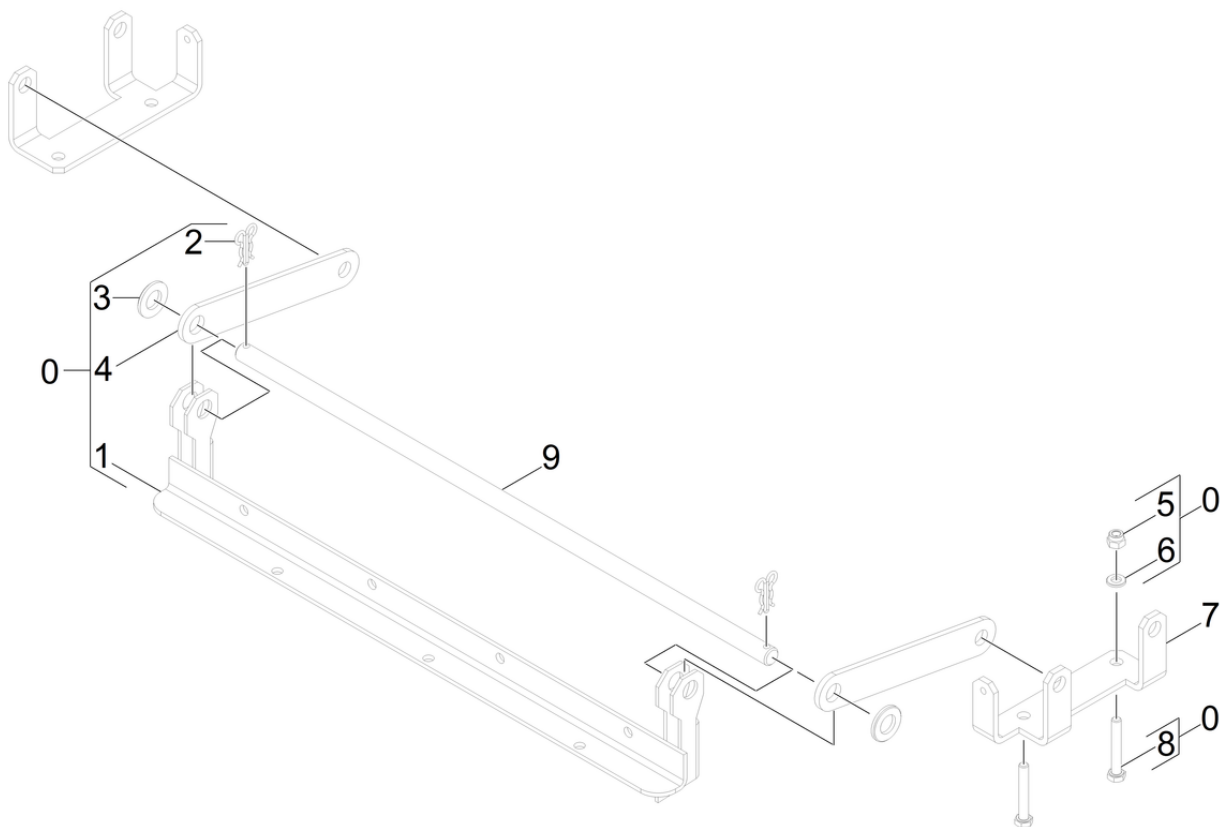
POS	Article no.	Description	Quantity	Unit	Remark	Foot note text
39	5.033-666.0	Adjustment wheel	2.000	ST		
18	7.401-115.0	Ball bearing 6002-2RS -WÄELZLAGST DIN 62	4.000	ST		VERSION 1
18	7.401-128.0	Ball bearing 6202-2RS -Wälzl.St DIN 625	4.000	ST		VERSION 2
51	5.107-290.0	Bar brush-head	1.000	ST		
13	5.625-494.0	Belt pulley 54mm	2.000	ST	D = 54mm	VERSION 2
13	5.625-483.0	Belt pulley 57mm	2.000	ST	D = 57mm	VERSION 1
33	6.613-025.0	Blower wheel	2.000	ST		
33	6.610-027.0	Blower wheel only for replacement Hengye	2.000	ST	(Hengye)	
10	5.116-340.0	Bolt holder-up	2.000	ST		
28	5.061-580.0	Brush housing BR 65	1.000	ST		
12	5.116-354.0	Bush transmission BR	2.000	ST		VERSION 1
32	6.610-216.0	Carbon brush set	1.000	ZSA	(AMER)	
32	6.610-026.0	Carbon brush set	1.000	ST	(Hengye)	
32	6.610-239.0	Carbon brush set ATAS	1.000	ST	(ATAS)	
1	2.882-726.0	Conversion kit retainer plate transmissi	2.000	ST	5.625-483.0	VERSION 1
11	7.305-637.0	Countersunk screw M8x16-A2-70 ISO 10642	2.000	ST		
25	5.033-403.0	Cover BR	1.000	ST		VERSION 2
22	5.033-241.0	Covering cap left	1.000	ST		
24	5.033-242.0	Covering cap right	1.000	ST		
25	5.009-380.0	Cover plate	1.000	ST		VERSION 1
7	5.100-611.3	Driveshaft BR	2.000	ST		
49	4.481-239.0	Holder brush-head	1.000	ST		
57	4.481-261.0	Holder pivot point complete BR	1.000	ST		
56	6.388-545.0	Hose clip	1.000	ST		
46	2.645-191.0	Hose coupling entry Universal	1.000	ST		
16	6.363-158.0	Joint ring Nilosring	2.000	ST		
27	5.383-097.0	Label	1.000	ST		
17	5.033-665.0	Locking part	4.000	ST		GREY
21	5.033-664.0	Locking part tension rod	2.000	ST		GREY

85 Individual parts transmission

POS	Article no.	Description	Quantity	Unit	Remark	Foot note text
9	7.343-015.0	Locking ring 15x1-FST-RF DIN 471	2.000	ST		
19	7.343-231.0	Locking ring 32x1,2 -St-ph DIN 472	2.000	ST		VERSION 1
19	7.343-017.0	Locking ring 35x1,5-FST-PHR DIN 472	2.000	ST		VERSION 2
55	7.343-302.0	Lock washer 8 -St-ph DIN 6799	4.000	ST		
54	7.343-205.0	Lock washer 9-St-A2E DIN 6799	4.000	ST		
31	4.623-920.0	Motor complete nur fuer Ersatz	2.000	ST	24V//600W/ATAS Motor	VERSION 1
31	4.623-017.0	Motor complete only for replacement Heng	2.000	ST	24V//600W/ATAS Motor	VERSION 2
8	7.318-002.0	Parallel key 5x5x16 -C45K DIN 6885-1	2.000	ST		
43	6.643-048.0	Plug blue complete 75A 12mm ²	2.000	ST		
42	6.643-047.0	Plug red complete 75A 12mm ²	2.000	ST		
14	6.343-149.0	Quick-fastener	2.000	ST		
1	5.044-866.0	Retainer plate transmission	2.000	ST	5.625-494.0	VERSION 2
35	4.007-009.0	Retainer strip rubber lip stainless stee	2.000	ST		reinforced
35	5.044-867.0	Retainer strip splash guard	2.000	ST		STANDARD
37	5.009-402.0	Retaining plate left scraper lip	1.000	ST		
36	5.009-401.0	Retaining plate right scraper lip	1.000	ST		
15	6.348-456.0	Ribbed v-belt	2.000	ST	425mm	VERSION 2
15	6.348-442.0	Ribbed v-belt	2.000	ST	432mm	VERSION 1
6	5.056-010.0	Rocker BR-VS	2.000	ST		
26	5.515-096.0	Roller	2.000	ST		
41	6.906-984.0	Roller brush black - BR 65	2.000	ST		
41	6.906-983.0	Roller brush green - BR 65	2.000	ST		
41	6.906-982.0	Roller brush orange - BR 65	2.000	ST		
41	6.907-414.0	Roller brush red BR65	2.000	ST		
41	6.906-981.0	Roller brush white - BR 65	2.000	ST		
44	7.303-107.0	Screw 5x16 -10.9-P2R (K-In6Rd)	3.000	ST		
50	7.303-112.0	Screw 6x20 -10.9-R2R (In6Rd)	6.000	ST		
61	6.303-029.0	Screw EJOT ALtracs Plus 50x10 A2	17.000	ST		
23	7.303-038.0	Screw M5x12 -St-P2R (In6Rd)	10.000	ST		
20	7.303-047.0	Screw M6x16 -St-R3R (In6Rd)	5.000	ST		
2	7.306-031.0	Screw M 6x16-A2-70 DIN 7984	10.000	ST		
5	2.763-032.0	Set holder-up replacement	2.000	ST		

85 Individual parts transmission

POS	Article no.	Description	Quantity	Unit	Remark	Foot note text
34	4.071-228.0	Set splash guard onesided	2.000	ST		STANDARD
34	4.071-003.0	Set splash guard reinforced	2.000	ST		reinforced
12	5.116-413.0	Sleeve	2.000	ST		VERSION 2
48	6.390-892.0	Spiral hose NW12	1.000	M		TO ORDER AS CUT GOODS
60	5.394-911.0	Splash guard reinforced	2.000	ST		reinforced
53	6.313-022.0	Spring clip	2.000	ST		
40	6.330-407.0	Spring clip	2.000	ST		
4	7.313-003.0	Spring washer B 6-FSt-A3E DIN 127	10.000	ST		
47	6.321-004.0	Star grip M5x10	1.000	ST		
17	7.777-999.0	Stockpiling discontinued	4.000	ST		YELLOW
21	7.777-999.0	Stockpiling discontinued	2.000	ST		YELLOW
30	5.190-014.0	Strip water distributor	1.000	ST		
45	6.646-979.0	Switch contact 6 mm ²	4.000	ST		
29	5.075-040.0	Tank refuse BR 65	1.000	ST		
38	5.116-339.0	Threaded bolt	2.000	ST		
3	7.312-026.0	Washer 6 -A2 ISO 7089	10.000	ST		
52	7.312-008.0	Washer 12-200HV-A3E ISO 7089	2.000	ST		

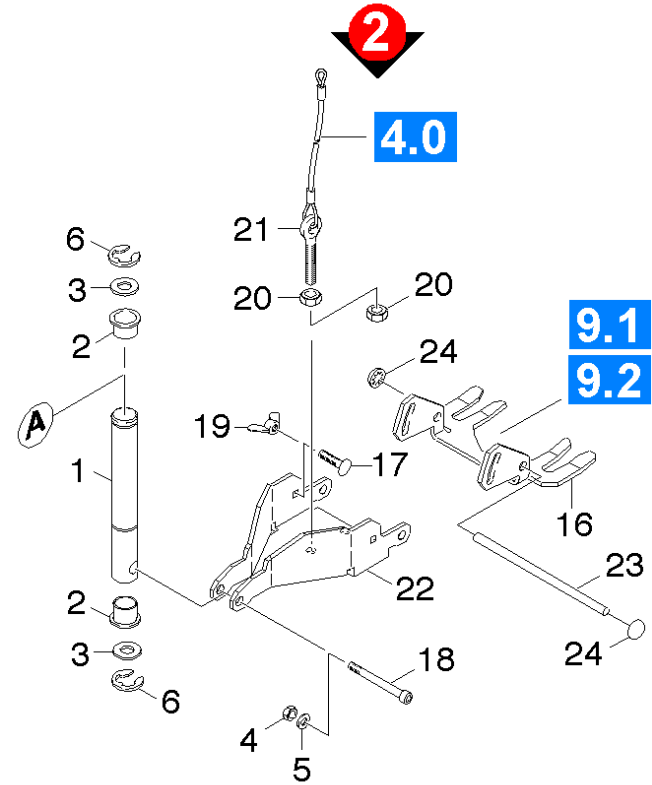
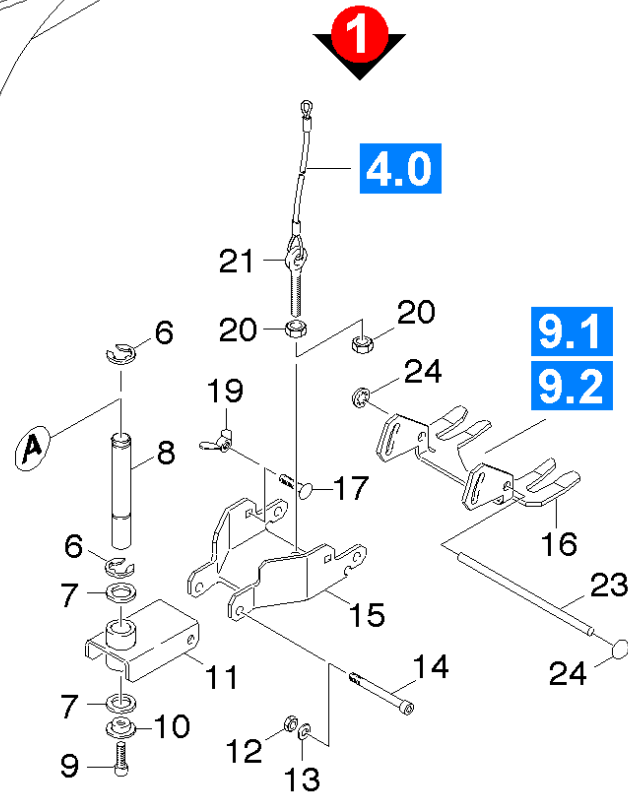
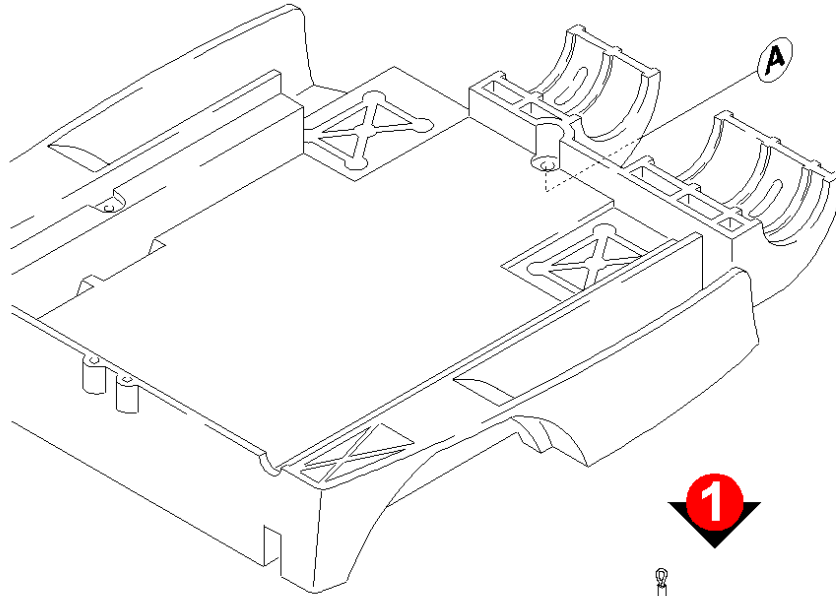


86 Conversion kit pivot point long BR 65/60

POS	Article no.	Description	Quantity	Unit
9	5.107-293.0	Bar power brush long BR 65/60 Aldi	1.000	ST
0	2.642-119.0	Conversion kit pivot point long	1.000	ST
8	7.304-544.0	Hexagonal head screw M 6x40-A4-70 ISO 4	4.000	ST
5	7.311-022.0	Hexagon nut M 6-A2-70 ISO 7040	4.000	ST
1	4.481-239.0	Holder brush-head	1.000	ST
4	5.062-190.0	Lever pivot point short	2.000	ST
7	5.062-238.0	Sheet metal component holder wheel drive	2.000	ST
2	6.313-022.0	Spring clip	2.000	ST
6	7.312-026.0	Washer 6 -A2 ISO 7089	4.000	ST
3	7.312-008.0	Washer 12-200HV-A3E ISO 7089	2.000	ST

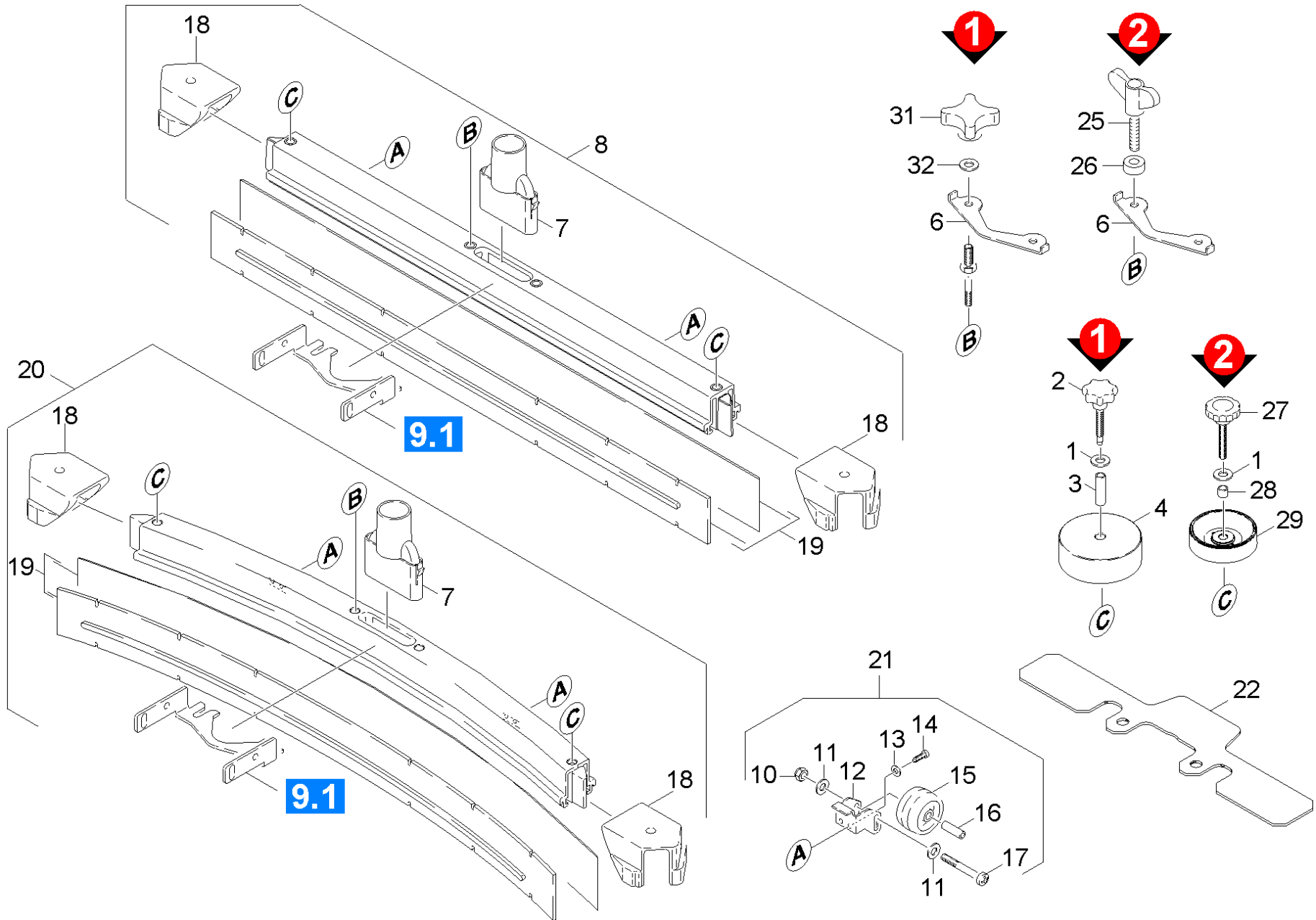
90 Suction bar

POS	Description	Quantity	Unit	Foot note text
94	Suction bar	1.000	ST	VERSION 3
93	Suction bar	1.000	ST	VERSION 2
92	Suction bar	1.000	ST	VERSION 1
91	Suction beam retraction	1.000	ST	



91 Suction beam retraction

POS	Article no.	Description	Quantity	Unit	Foot note text
23	5.107-244.0	Bar	1.000	ST	
2	6.437-484.0	Bearing bush	2.000	ST	
1	5.317-122.0	Bolt	1.000	ST	
8	5.317-073.0	Bolt	1.000	ST	
11	4.058-128.0	Carrier suction bar	1.000	ST	
18	7.306-114.0	Cylinder head screw M 8x40-A2-70 ISO 47	1.000	ST	
14	7.306-151.0	Cylinder head screw M8x65 -8.8-A2E ISO4	1.000	ST	
12	7.311-427.0	Hexagon nut M8 -04-A2E DIN 985	1.000	ST	
4	7.311-432.0	Hexagon nut M 8-1.4305 DIN 985	1.000	ST	
20	7.311-068.0	Hexagon nut M 8-A2-70 ISO 4032	2.000	ST	
22	5.058-756.0	Holder suction bar	1.000	ST	
15	5.044-638.0	Holder suction bar BR/BD 55/60 M	1.000	ST	
24	6.343-132.0	Lock washer 8	2.000	ST	
6	7.343-306.0	Lock washer 12-St-A2E DIN 6799	4.000	ST	
16	5.058-115.0	Rocker suction bar	1.000	ST	
21	4.172-023.0	Rope complete	1.000	ST	
17	7.303-139.0	Saucer-head screw M6x20 -A2 DIN 603	2.000	ST	
9	7.306-031.0	Screw M 6x16-A2-70 DIN 7984	1.000	ST	
10	5.110-868.0	Sleeve	1.000	ST	
13	7.312-004.0	Washer 8 -200HV-A3E ISO 7089	2.000	ST	
5	7.312-017.0	Washer 8-A2 ISO 7089	1.000	ST	
7	7.312-075.0	Washer 12-CuZn ISO 7092	2.000	ST	
3	7.312-057.0	Washer 16 -A2 ISO 7089	2.000	ST	
19	6.310-180.0	Wing nut M6	1.000	ST	GREY
19	6.310-180.0	Wing nut M6	2.000	ST	BLACK



92 Suction bar

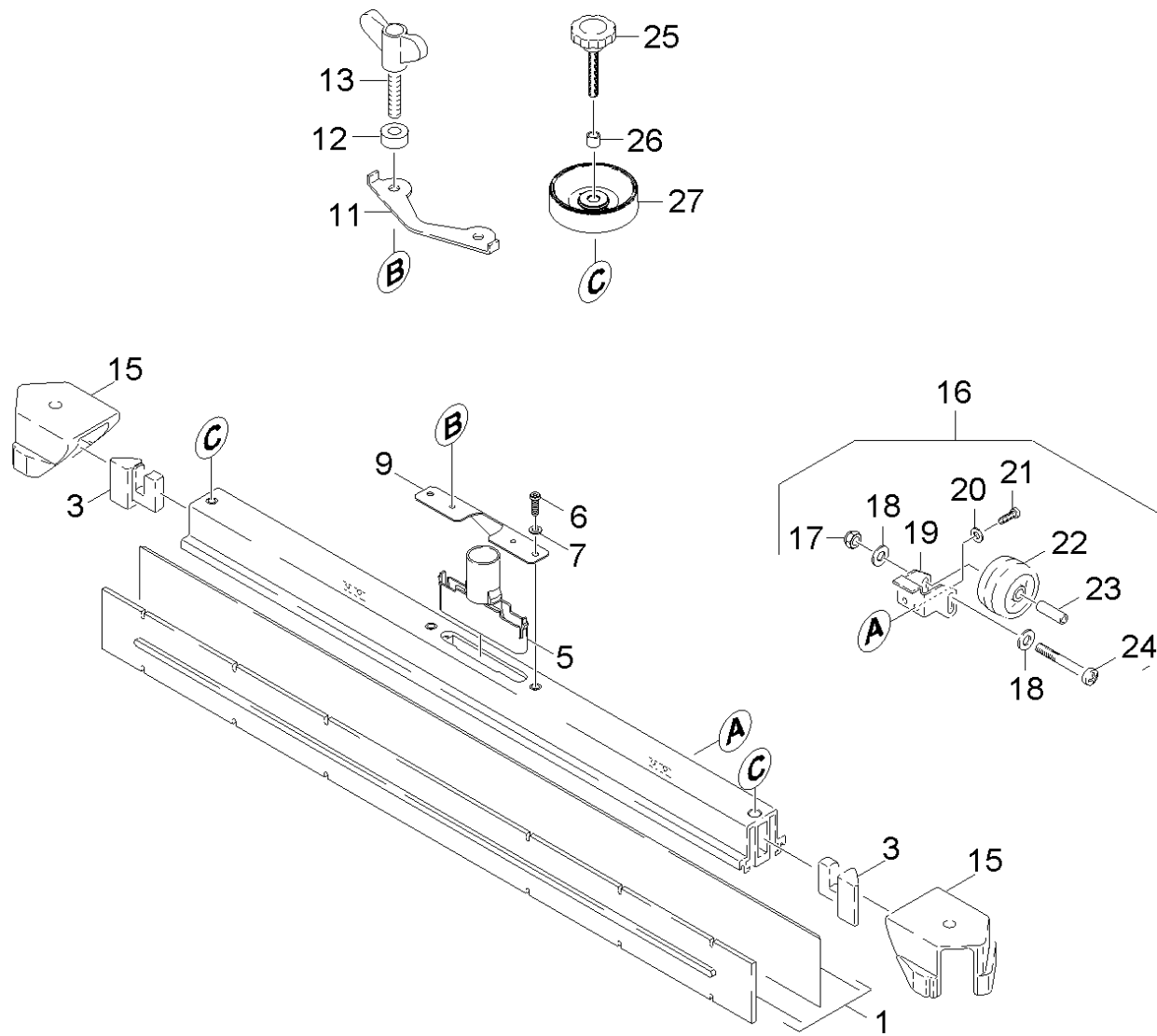
POS	Article no.	Description	Quantity	Unit	Remark	Foot note text
21	2.639-561.0	Add-on kit support wheels suction bar	1.000	ST		
22	5.128-339.0	Additional weight suction bar	1.000	ST		
16	5.105-245.0	Axle	1.000	ST		
29	5.515-267.0	Deflector roll	2.000	ST	VERSION 2	
18	2.885-294.0	End piece left / right spare parts set	1.000	ST		
10	7.311-422.0	Hexagon nut M 6-1.4305 ISO 10511	1.000	ST		
12	5.044-304.0	Holder roller	2.000	ST		
6	5.007-217.0	Plate	1.000	ST		
6	5.007-619.0	Plate suction bar	1.000	ST		STAINLESS STEEL CONSTRUCTION
4	5.515-096.0	Roller	2.000	ST		VERSION 1
19	6.273-205.0	Rubber lip set anti stripe oil resistant	1.000	ZSA		ANTI-STRIP, OIL RESISTANT
19	6.273-208.0	Rubber lip set oil resistant	1.000	ZSA		OIL RESISTANT
19	6.273-214.0	Rubber lip set standard	1.000	ZSA		STANDARD
14	7.303-037.0	Screw M5x10 -St-P2R (In6Rd)	2.000	ST		
17	7.306-199.0	Screw M 6x50-A2-70 (IN6RD)	1.000	ST		
26	5.112-748.0	Sleeve	2.000	ST	VERSION 2	
28	5.094-231.0	Sleeve suction bar in VA	2.000	ST	VERSION 2	STAINLESS STEEL CONSTRUCTION
26	5.112-810.0	Sleeve VA	2.000	ST	VERSION 2	STAINLESS STEEL CONSTRUCTION
2	6.321-243.0	Star grip stainless steel D50x48	2.000	ST		VERSION 1
27	6.321-239.0	Star grip VA Ø50x43	2.000	ST	VERSION 2	STAINLESS STEEL CONSTRUCTION
31	6.321-133.0	Star handle	2.000	ST		VERSION 1
8	4.777-302.0	Suction bar 940AB	1.000	ST		
20	4.777-055.0	Suction bar curved	1.000	ST		
7	5.031-989.0	Suction nipple	1.000	ST		
3	5.094-050.0	Tube	2.000	ST		VERSION 1
13	7.312-058.0	Washer 5 -A2 ISO 7089	2.000	ST		
11	7.312-026.0	Washer 6 -A2 ISO 7089	2.000	ST		
1	7.312-004.0	Washer 8 -200HV-A3E ISO 7089	2.000	ST		
32	7.312-066.0	Washer 10 -A2 ISO 7089	2.000	ST		VERSION 1
15	6.435-401.0	Wheel D54	2.000	ST		
25	5.305-286.0	Wing screw M8x	2.000	ST	VERSION 2	
25	5.305-296.0	Wing screw M8x40 VA	2.000	ST	VERSION 2	STAINLESS STEEL CONSTRUCTION

8 Suction bar 940AB (4.777-302.0)

POS	Article no.	Description	Quantity	Unit
600	5.971-949.0	Spare parts list suction bar 940AB	1.000	ST

600 Spare parts list suction bar 940AB (5.971-949.0)

POS	Description	Quantity	Unit
10	Suction bar straight 940mm	1.000	ST



10 Suction bar straight 940mm

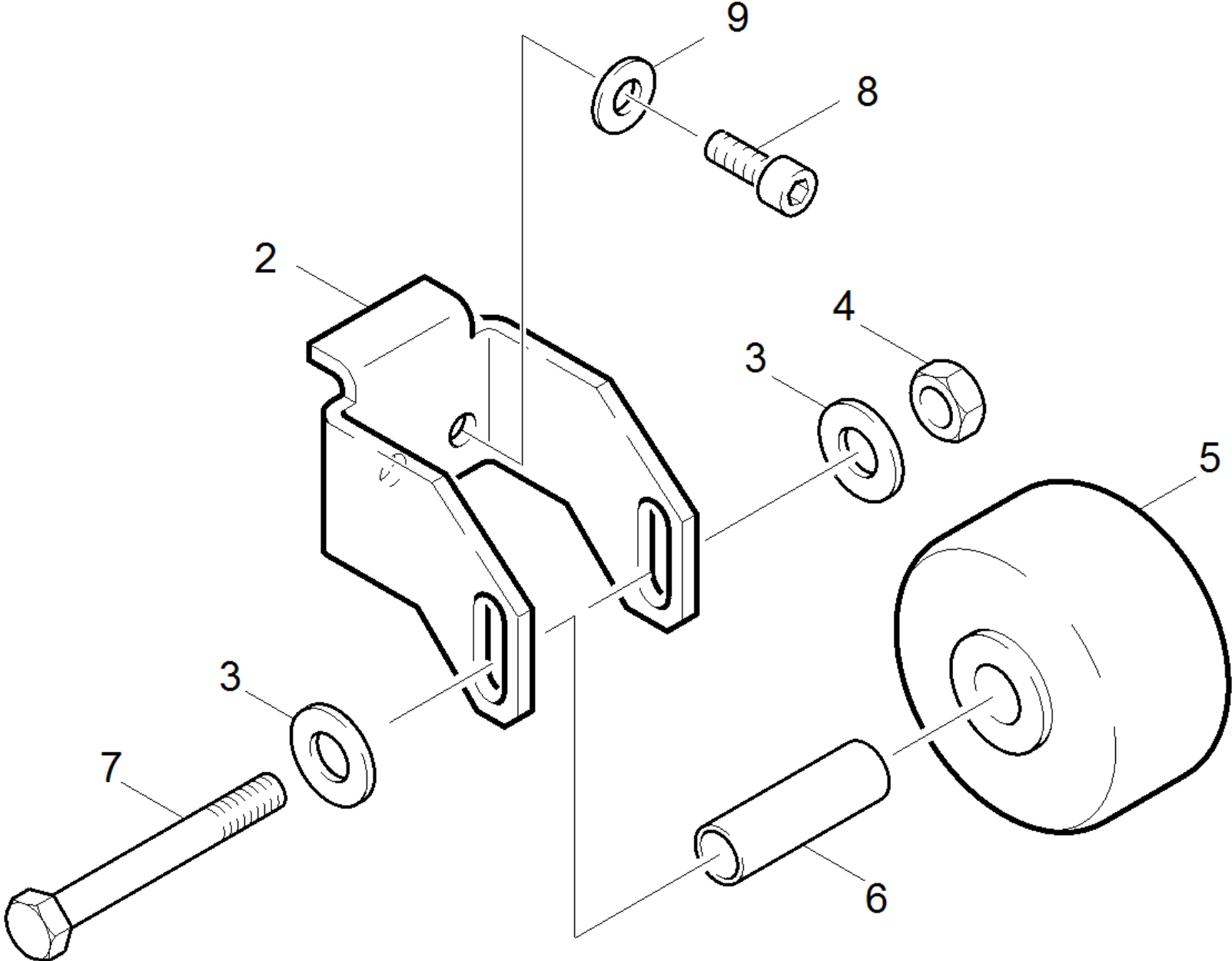
POS	Article no.	Description	Quantity	Unit	Remark	Foot note text
16	2.639-561.0	Add-on kit support wheels suction bar	1.000	ST		
23	5.105-245.0	Axle	1.000	ST		
6	7.306-142.0	Cylinder head screw M 8x25-A4-70 ISO 47	2.000	ST		
27	5.515-267.0	Deflector roll	2.000	ST		
15	2.885-294.0	End piece left / right spare parts set	1.000	ST		
3	2.885-326.0	End piece left / right spare parts set	1.000	ST		
24	7.304-550.0	Hexagonal head screw M 6x45-A4-70 ISO 4	2.000	ST		
17	7.311-422.0	Hexagon nut M 6-1.4305 ISO 10511	1.000	ST		
19	5.044-304.0	Holder roller	2.000	ST		
11	5.007-217.0	Plate	1.000	ST		
1	6.273-205.0	Rubber lip set anti stripe oil resistant	1.000	ZSA		ANTI-STRIP, OIL RESISTANT
1	6.273-208.0	Rubber lip set oil resistant	1.000	ZSA		OIL RESISTANT
1	6.273-214.0	Rubber lip set standard	1.000	ZSA		STANDARD
21	7.303-037.0	Screw M5x10 -St-P2R (In6Rd)	2.000	ST		
26	5.094-231.0	Sleeve suction bar in VA	2.000	ST		STAINLESS STEEL CONSTRUCTION
12	5.112-810.0	Sleeve VA	2.000	ST	(VA)	
25	6.321-239.0	Star grip VA Ø50x43	2.000	ST		STAINLESS STEEL CONSTRUCTION
9	5.100-559.0	Suction bar support plate	1.000	ST		
5	5.033-601.0	Suction nipple	1.000	ST		GREY
20	7.312-052.0	Washer 5 -A2 ISO 7089	2.000	ST		
18	7.312-026.0	Washer 6 -A2 ISO 7089	2.000	ST		
7	7.312-017.0	Washer 8-A2 ISO 7089	2.000	ST		
22	6.435-401.0	Wheel D54	2.000	ST		
13	5.305-296.0	Wing screw M8x40 VA	2.000	ST	(VA)	

16 Add-on kit support wheels suction bar (2.639-561.0)

POS	Article no.	Description	Quantity	Unit
1	0.082-417.0	Spare parts list support wheels	1.000	ST
	Item text2: 26395610			

1 Spare parts list support wheels (0.082-417.0)

POS	Description	Quantity	Unit
10	Support wheels	1.000	ST



10 Support wheels

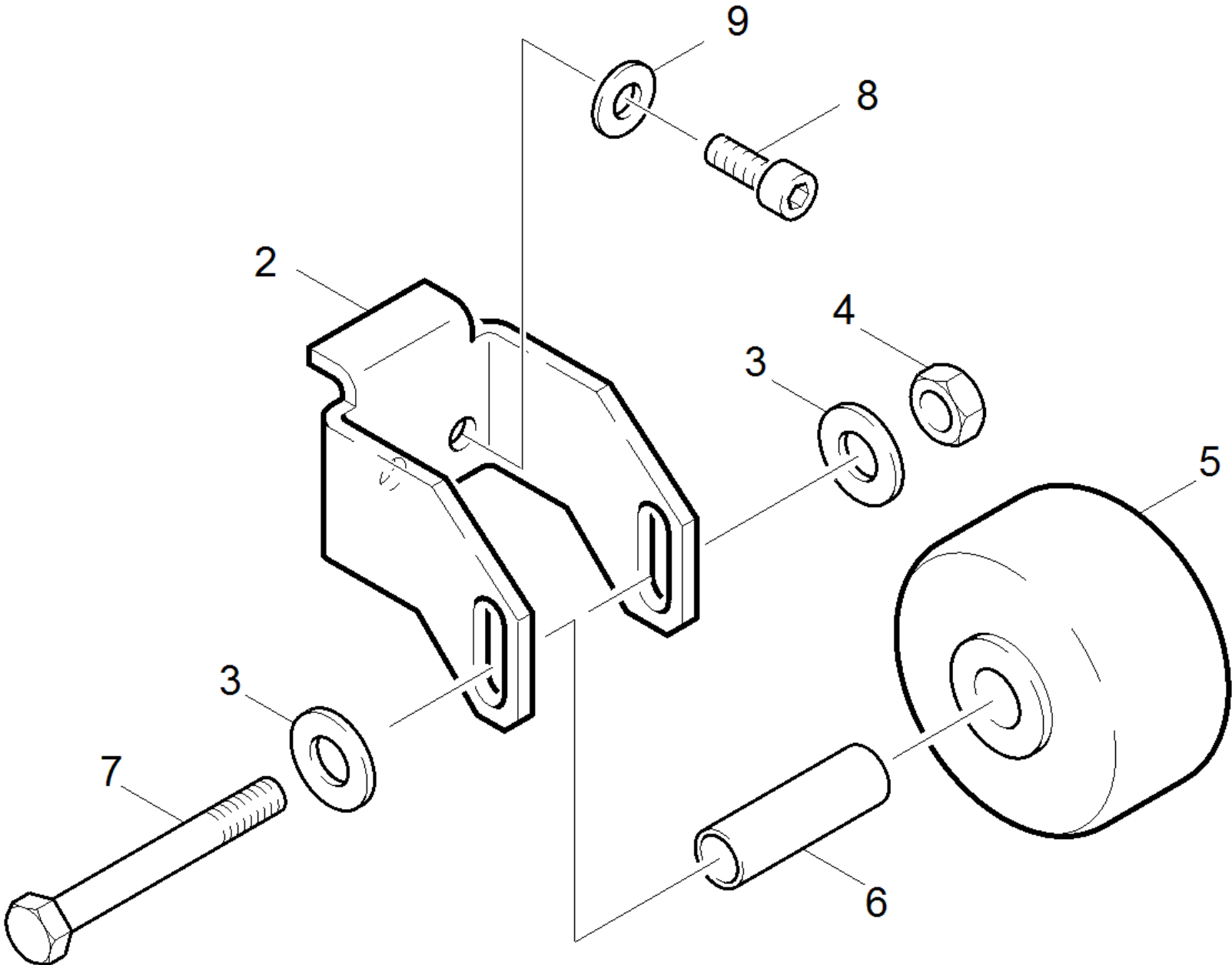
POS	Article no.	Description	Quantity	Unit
6	5.105-320.0	Axle	2.000	ST
4	7.311-422.0	Hexagon nut M 6-1.4305 ISO 10511	2.000	ST
2	5.044-304.0	Holder roller	2.000	ST
8	7.303-037.0	Screw M5x10 -St-P2R (In6Rd)	4.000	ST
7	7.306-199.0	Screw M 6x50-A2-70 (IN6RD)	2.000	ST
9	7.312-058.0	Washer 5 -A2 ISO 7089	4.000	ST
3	7.312-026.0	Washer 6 -A2 ISO 7089	4.000	ST
5	6.435-401.0	Wheel D54	2.000	ST

21 Add-on kit support wheels suction bar (2.639-561.0)

POS	Article no.	Description	Quantity	Unit
1	0.082-417.0	Spare parts list support wheels	1.000	ST
Item text2: 26395610				

1 Spare parts list support wheels (0.082-417.0)

POS	Description	Quantity	Unit
10	Support wheels	1.000	ST



10 Support wheels

POS	Article no.	Description	Quantity	Unit
6	5.105-320.0	Axle	2.000	ST
4	7.311-422.0	Hexagon nut M 6-1.4305 ISO 10511	2.000	ST
2	5.044-304.0	Holder roller	2.000	ST
8	7.303-037.0	Screw M5x10 -St-P2R (In6Rd)	4.000	ST
7	7.306-199.0	Screw M 6x50-A2-70 (IN6RD)	2.000	ST
9	7.312-058.0	Washer 5 -A2 ISO 7089	4.000	ST
3	7.312-026.0	Washer 6 -A2 ISO 7089	4.000	ST
5	6.435-401.0	Wheel D54	2.000	ST

93 Suction bar

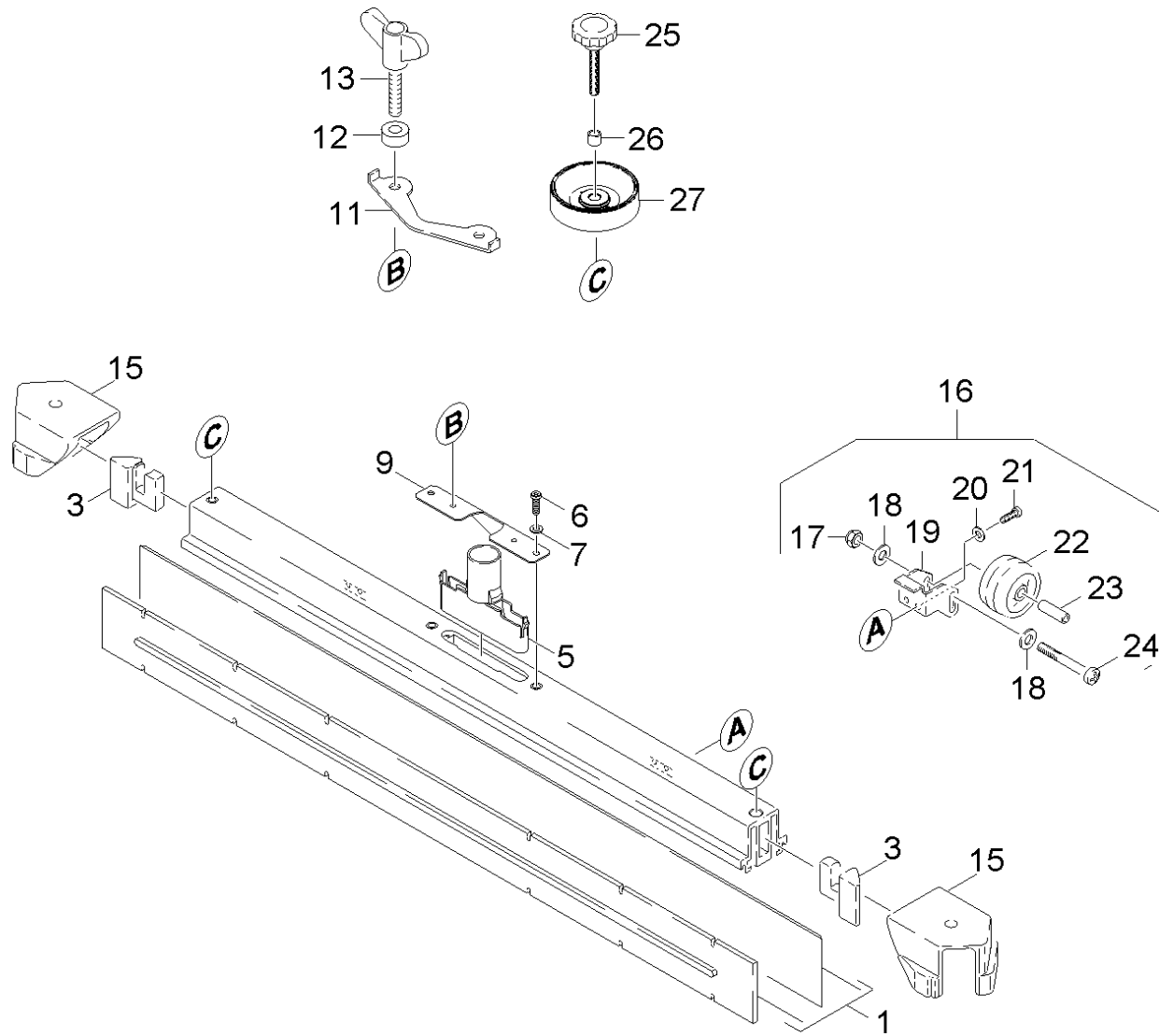
POS	Article no.	Description	Quantity	Unit	Remark	Foot note text
16	2.639-561.0	Add-on kit support wheels suction bar	1.000	ST		
23	5.105-245.0	Axle	1.000	ST		
6	7.306-142.0	Cylinder head screw M 8x25-A4-70 ISO 47	2.000	ST		
27	5.515-267.0	Deflector roll	2.000	ST		
15	2.885-294.0	End piece left / right spare parts set	1.000	ST		
3	2.885-326.0	End piece left / right spare parts set	1.000	ST		
24	7.304-550.0	Hexagonal head screw M 6x45-A4-70 ISO 4	2.000	ST		
17	7.311-422.0	Hexagon nut M 6-1.4305 ISO 10511	1.000	ST		
19	5.044-304.0	Holder roller	2.000	ST		
11	5.007-217.0	Plate	1.000	ST		
1	6.273-205.0	Rubber lip set anti stripe oil resistant	1.000	ZSA		ANTI-STRIP, OIL RESISTANT
1	6.273-208.0	Rubber lip set oil resistant	1.000	ZSA		OIL RESISTANT
1	6.273-214.0	Rubber lip set standard	1.000	ZSA		STANDARD
21	7.303-037.0	Screw M5x10 -St-P2R (In6Rd)	2.000	ST		
26	5.094-231.0	Sleeve suction bar in VA	2.000	ST		STAINLESS STEEL CONSTRUCTION
12	5.112-810.0	Sleeve VA	2.000	ST	(VA)	
25	6.321-239.0	Star grip VA Ø50x43	2.000	ST		STAINLESS STEEL CONSTRUCTION
8	4.777-302.0	Suction bar 940AB	1.000	ST		
2	4.777-312.0	Suction bar curved 940AB	1.000	ST		
9	5.100-559.0	Suction bar support plate	1.000	ST		
5	5.033-601.0	Suction nipple	1.000	ST		GREY
20	7.312-052.0	Washer 5 -A2 ISO 7089	2.000	ST		
18	7.312-026.0	Washer 6 -A2 ISO 7089	2.000	ST		
7	7.312-017.0	Washer 8-A2 ISO 7089	2.000	ST		
22	6.435-401.0	Wheel D54	2.000	ST		
13	5.305-296.0	Wing screw M8x40 VA	2.000	ST	(VA)	

8 Suction bar 940AB (4.777-302.0)

POS	Article no.	Description	Quantity	Unit
600	5.971-949.0	Spare parts list suction bar 940AB	1.000	ST

600 Spare parts list suction bar 940AB (5.971-949.0)

POS	Description	Quantity	Unit
10	Suction bar straight 940mm	1.000	ST



10 Suction bar straight 940mm

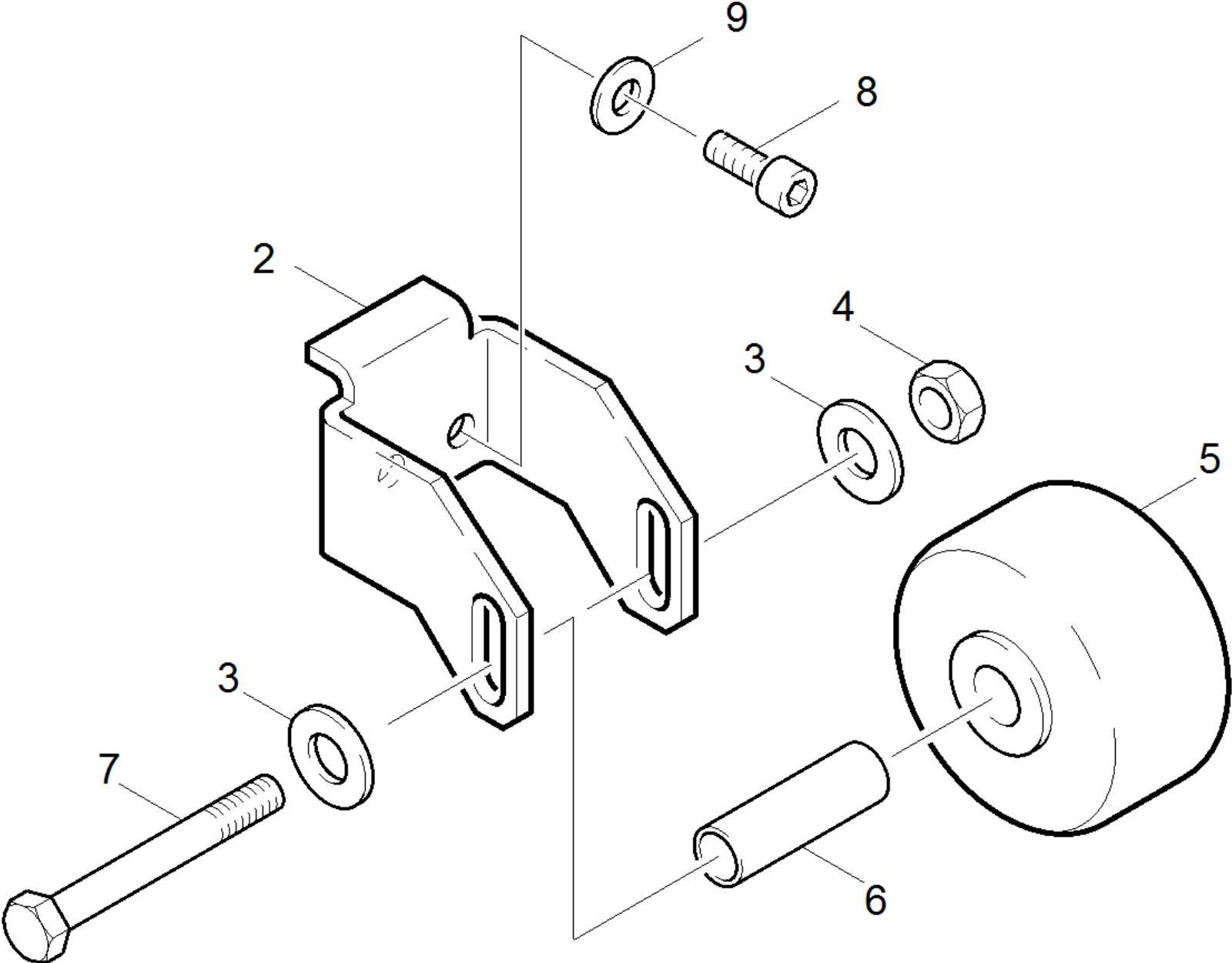
POS	Article no.	Description	Quantity	Unit	Remark	Foot note text
16	2.639-561.0	Add-on kit support wheels suction bar	1.000	ST		
23	5.105-245.0	Axle	1.000	ST		
6	7.306-142.0	Cylinder head screw M 8x25-A4-70 ISO 47	2.000	ST		
27	5.515-267.0	Deflector roll	2.000	ST		
15	2.885-294.0	End piece left / right spare parts set	1.000	ST		
3	2.885-326.0	End piece left / right spare parts set	1.000	ST		
24	7.304-550.0	Hexagonal head screw M 6x45-A4-70 ISO 4	2.000	ST		
17	7.311-422.0	Hexagon nut M 6-1.4305 ISO 10511	1.000	ST		
19	5.044-304.0	Holder roller	2.000	ST		
11	5.007-217.0	Plate	1.000	ST		
1	6.273-205.0	Rubber lip set anti stripe oil resistant	1.000	ZSA		ANTI-STRIP, OIL RESISTANT
1	6.273-208.0	Rubber lip set oil resistant	1.000	ZSA		OIL RESISTANT
1	6.273-214.0	Rubber lip set standard	1.000	ZSA		STANDARD
21	7.303-037.0	Screw M5x10 -St-P2R (In6Rd)	2.000	ST		
26	5.094-231.0	Sleeve suction bar in VA	2.000	ST		STAINLESS STEEL CONSTRUCTION
12	5.112-810.0	Sleeve VA	2.000	ST	(VA)	
25	6.321-239.0	Star grip VA Ø50x43	2.000	ST		STAINLESS STEEL CONSTRUCTION
9	5.100-559.0	Suction bar support plate	1.000	ST		
5	5.033-601.0	Suction nipple	1.000	ST		GREY
20	7.312-052.0	Washer 5 -A2 ISO 7089	2.000	ST		
18	7.312-026.0	Washer 6 -A2 ISO 7089	2.000	ST		
7	7.312-017.0	Washer 8-A2 ISO 7089	2.000	ST		
22	6.435-401.0	Wheel D54	2.000	ST		
13	5.305-296.0	Wing screw M8x40 VA	2.000	ST	(VA)	

16 Add-on kit support wheels suction bar (2.639-561.0)

POS	Article no.	Description	Quantity	Unit
1	0.082-417.0	Spare parts list support wheels	1.000	ST
	Item text2: 26395610			

1 Spare parts list support wheels (0.082-417.0)

POS	Description	Quantity	Unit
10	Support wheels	1.000	ST



10 Support wheels

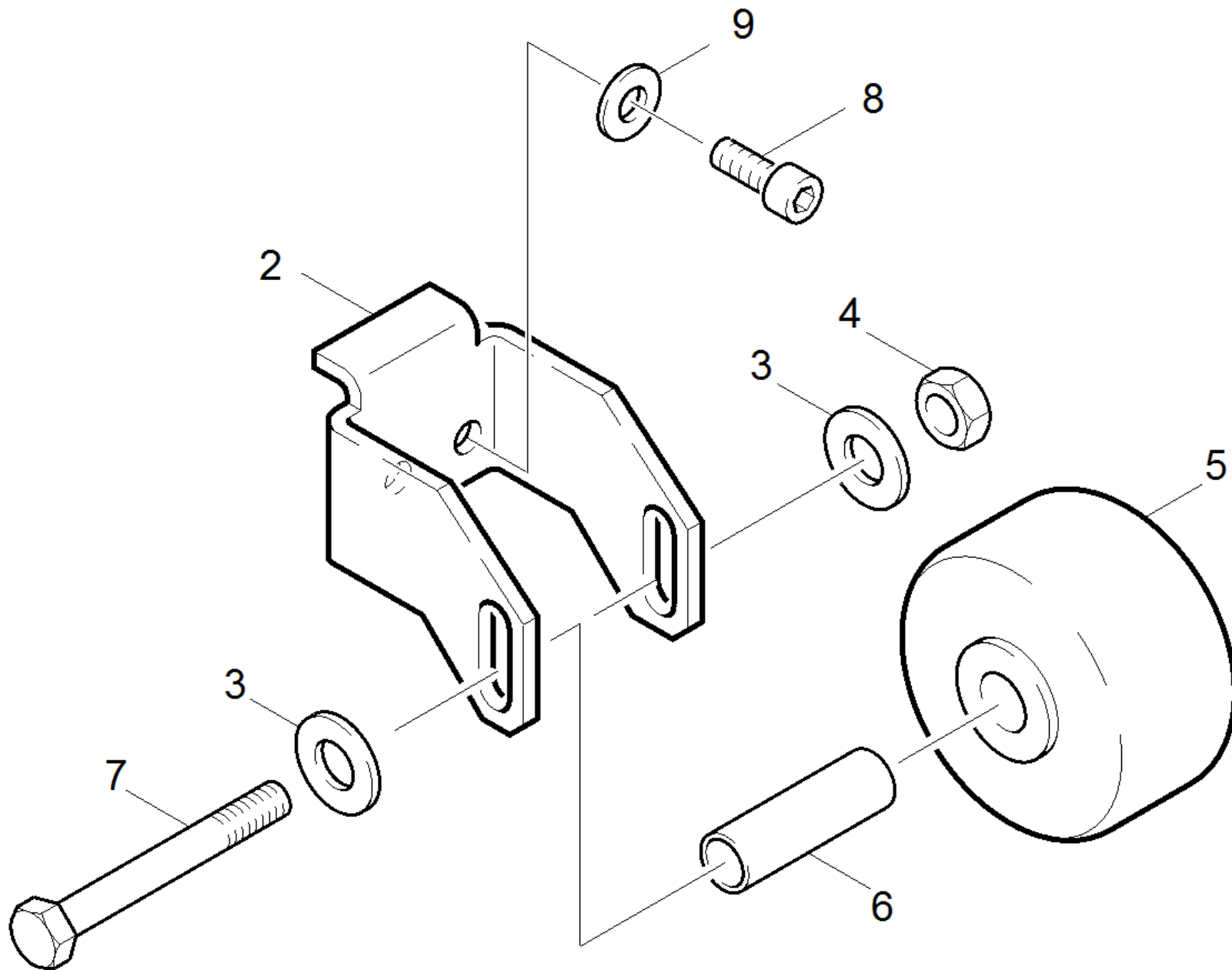
POS	Article no.	Description	Quantity	Unit
6	5.105-320.0	Axle	2.000	ST
4	7.311-422.0	Hexagon nut M 6-1.4305 ISO 10511	2.000	ST
2	5.044-304.0	Holder roller	2.000	ST
8	7.303-037.0	Screw M5x10 -St-P2R (In6Rd)	4.000	ST
7	7.306-199.0	Screw M 6x50-A2-70 (IN6RD)	2.000	ST
9	7.312-058.0	Washer 5 -A2 ISO 7089	4.000	ST
3	7.312-026.0	Washer 6 -A2 ISO 7089	4.000	ST
5	6.435-401.0	Wheel D54	2.000	ST

16 Add-on kit support wheels suction bar (2.639-561.0)

POS	Article no.	Description	Quantity	Unit
1	0.082-417.0	Spare parts list support wheels	1.000	ST
	Item text2: 26395610			

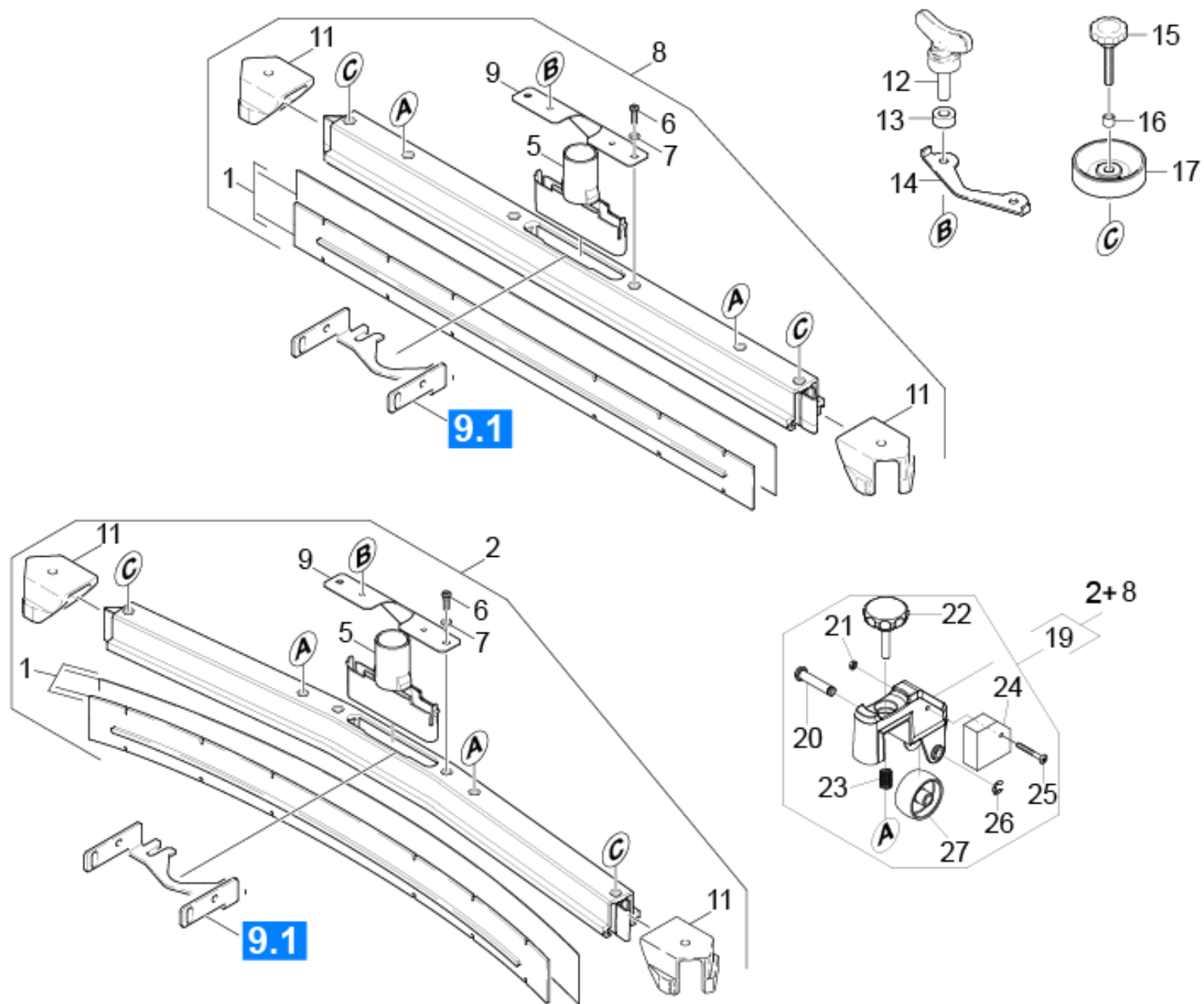
1 Spare parts list support wheels (0.082-417.0)

POS	Description	Quantity	Unit
10	Support wheels	1.000	ST



10 Support wheels

POS	Article no.	Description	Quantity	Unit
6	5.105-320.0	Axle	2.000	ST
4	7.311-422.0	Hexagon nut M 6-1.4305 ISO 10511	2.000	ST
2	5.044-304.0	Holder roller	2.000	ST
8	7.303-037.0	Screw M5x10 -St-P2R (In6Rd)	4.000	ST
7	7.306-199.0	Screw M 6x50-A2-70 (IN6RD)	2.000	ST
9	7.312-058.0	Washer 5 -A2 ISO 7089	4.000	ST
3	7.312-026.0	Washer 6 -A2 ISO 7089	4.000	ST
5	6.435-401.0	Wheel D54	2.000	ST



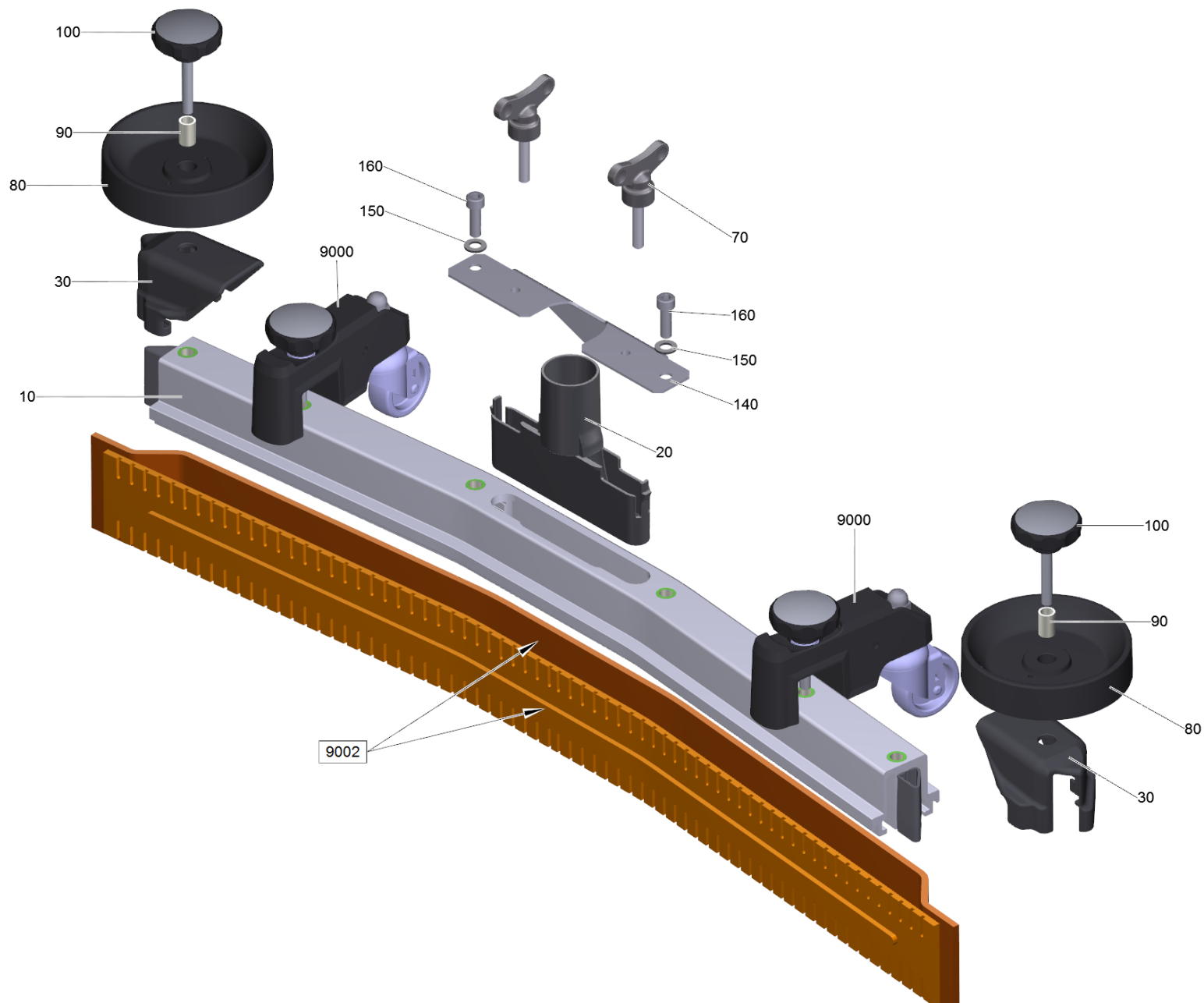
94 Suction bar

POS	Article no.	Description	Quantity	Unit	Remark	Foot note text
19	2.640-023.0	Add-on kit rollers suction bar	1.000	ST		
1	6.273-290.0	BLADES FOR TEXTURED FLOORS	1.000	ST	(890mm)	CLOSED, OIL RESISTANT
1	6.273-291.0	BLADES FOR TEXTURED FLOORS	1.000	ST	(980mm)	CLOSED, OIL RESISTANT
20	5.317-781.0	Bolt roller	2.000	ST		
6	7.306-142.0	Cylinder head screw M 8x25-A4-70 ISO 47	2.000	ST		
17	5.515-346.0	Deflector roll suction bar D120	2.000	ST		
11	2.885-294.0	End piece left / right spare parts set	1.000	ST		
21	7.311-431.0	Hexagon nut M 5-1.4305 DIN 985	2.000	ST		
26	7.343-303.0	Locking ring 8-A2 DIN 6799	2.000	ST		
14	5.007-217.0	Plate	2.000	ST		
23	5.332-504.0	Pressure spring	2.000	ST		
19	4.035-339.0	Roller suction bar	2.000	ST		
1	6.273-229.0	Rubber lip set anti stripe oil resistant	1.000	ST	(890mm)	ANTI-STRIP, OIL RESISTANT
1	6.273-205.0	Rubber lip set anti stripe oil resistant	1.000	ZSA	(980mm)	ANTI-STRIP, OIL RESISTANT
1	6.273-208.0	Rubber lip set oil resistant	1.000	ZSA	(980mm)	OIL RESISTANT
1	6.273-207.0	Rubber lip set oil resistant BR- BD530,55	1.000	ZSA	(890mm)	OIL RESISTANT
25	7.306-185.0	Screw M5x 35-A2-70 (IN6RD)	2.000	ST		
16	5.094-231.0	Sleeve suction bar in VA	2.000	ST		
13	5.112-810.0	Sleeve VA	2.000	ST		
15	6.321-239.0	Star grip VA Ø50x43	2.000	ST		
22	6.321-240.0	Star grip with inscription VA Ø50x43	2.000	ST		
24	7.777-999.0	Stockpiling discontinued	2.000	ST		
2	4.777-411.0	Suction bar curved 850mm	1.000	ST	(890mm)	
2	4.777-412.0	Suction bar curved 940mm	1.000	ST	(980mm)	
8	4.777-401.0	Suction bar straight 850mm	1.000	ST	(890mm)	
8	4.777-402.0	Suction bar straight 940mm	1.000	ST	(980mm)	
9	5.100-559.0	Suction bar support plate	1.000	ST		
5	5.033-601.0	Suction nipple	1.000	ST		
7	7.312-017.0	Washer 8-A2 ISO 7089	2.000	ST		
27	6.435-401.0	Wheel D54	2.000	ST		
12	5.305-008.0	Wing screw M8x30 VA	2.000	ST		

1 BLADES FOR TEXTURED FLOORS (6.273-290.0)

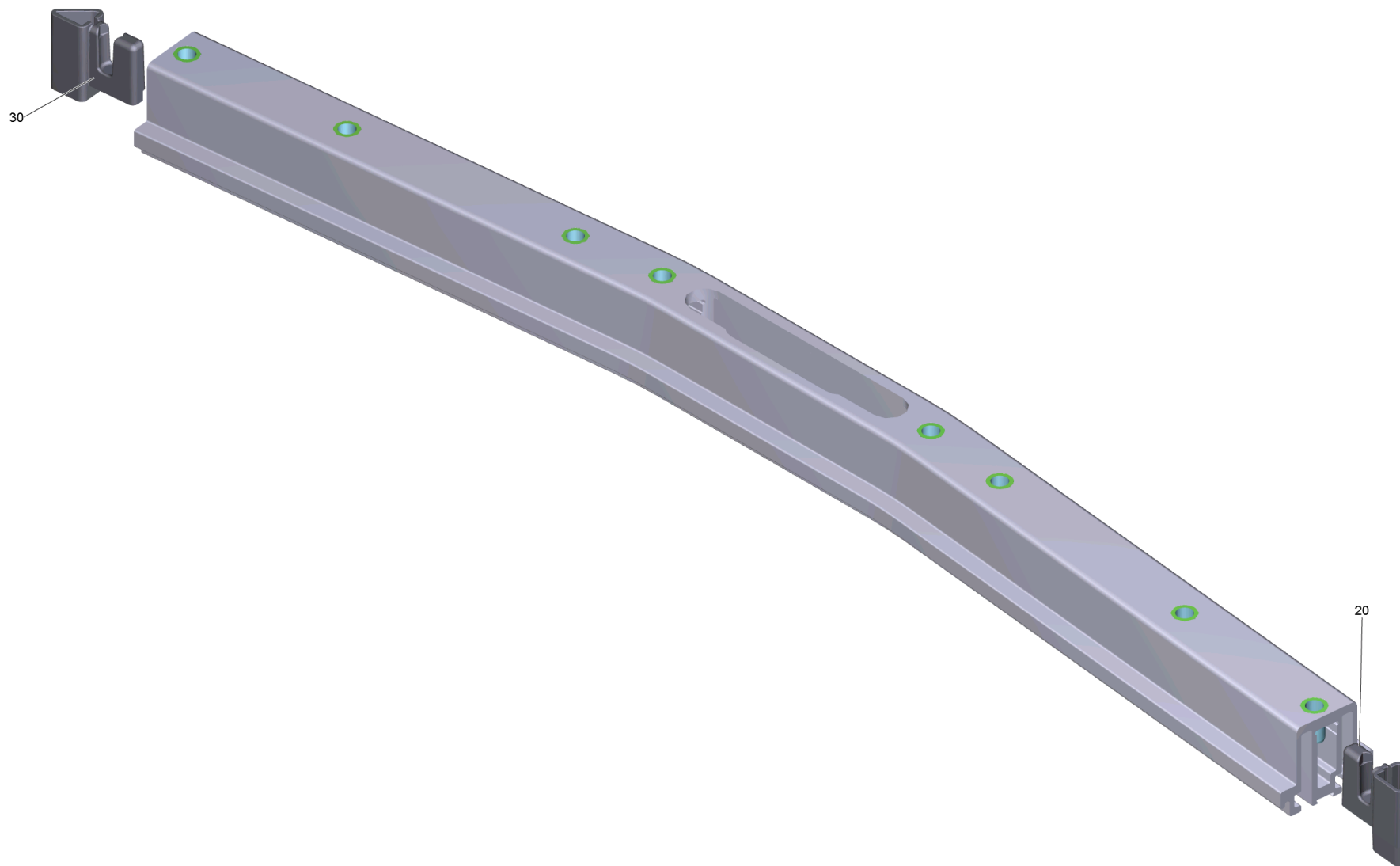
POS	Article no.	Description	Quantity	Unit
20	6.273-229.0	Rubber lip set anti stripe oil resistant	1.000	ST

2 Suction bar curved 850mm (4.777-411.0)



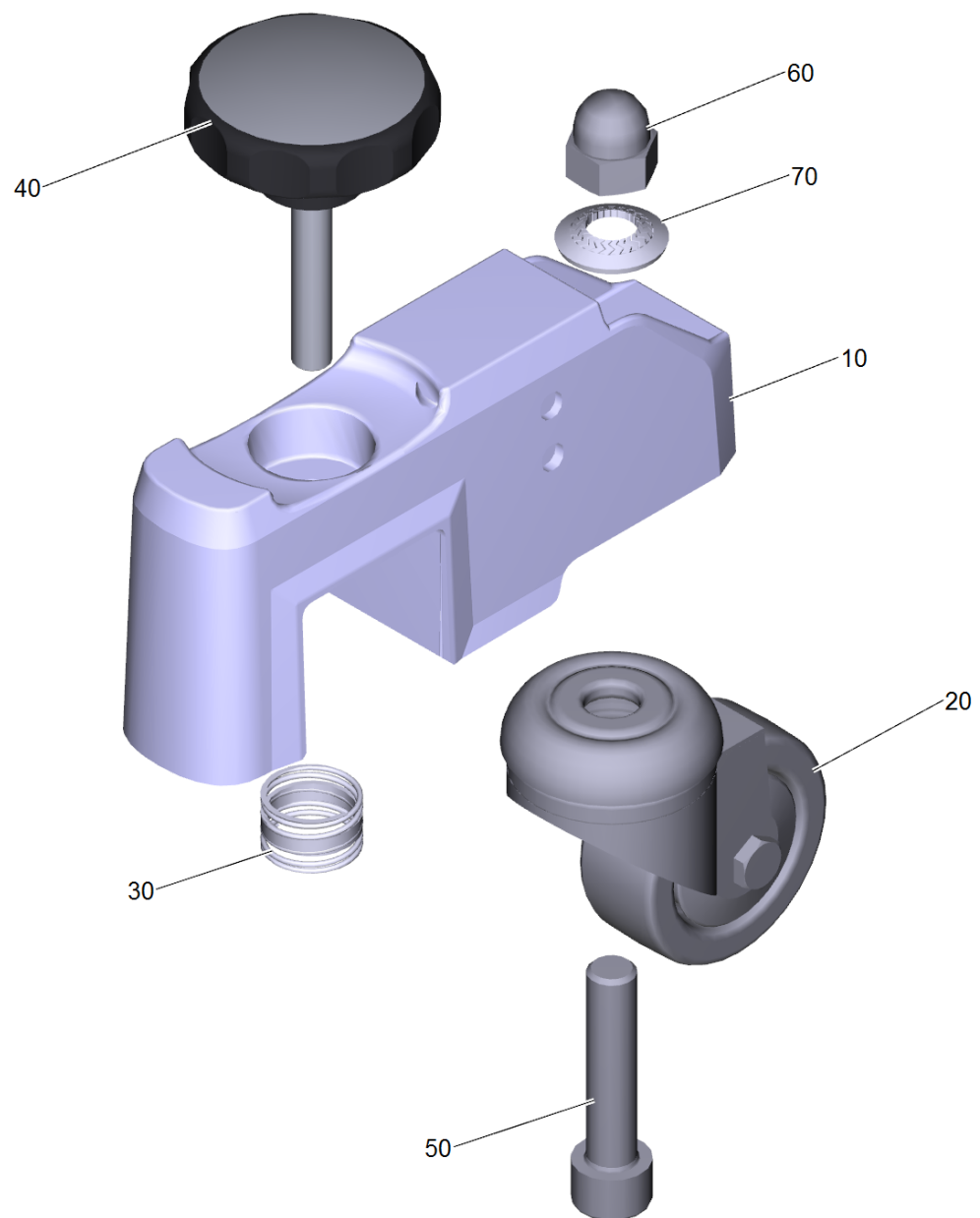
2 Suction bar curved 850mm (4.777-411.0)

POS	Article no.	Description	Quantity	Unit	Remark	Foot note text
9002	6.273-290.0	BLADES FOR TEXTURED FLOORS	1.000	ST		
9000	4.035-281.0	Conversion kit support roller deep	2.000	ST	VERSION 2	ORDER QTY. 2
160	7.306-142.0	Cylinder head screw M 8x25-A4-70 ISO 47	2.000	ST		
80	5.515-346.0	Deflector roll suction bar D120	2.000	ST		
30	2.885-294.0	End piece left / right spare parts set	1.000	ST		
9000	4.035-339.0	Roller suction bar	2.000	ST	VERSION 1	
9002	6.273-229.0	Rubber lip set anti stripe oil resistant	1.000	ST		
9002	6.273-207.0	Rubber lip set oil resistant BR- BD530,55	1.000	ZSA		
9002	6.273-213.0	Rubber lip set standard	1.000	ZSA		STANDARD
90	5.094-231.0	Sleeve suction bar in VA	2.000	ST		
100	6.321-243.0	Star grip stainless steel D50x48	2.000	ST		
10		Suction bar pre-assembled curved 850mm	1.000	ST		
140	5.100-559.0	Suction bar support plate	1.000	ST		
20	5.033-601.0	Suction nipple	1.000	ST		
150	7.312-017.0	Washer 8-A2 ISO 7089	2.000	ST		
70	5.305-008.0	Wing screw M8x30 VA	2.000	ST		



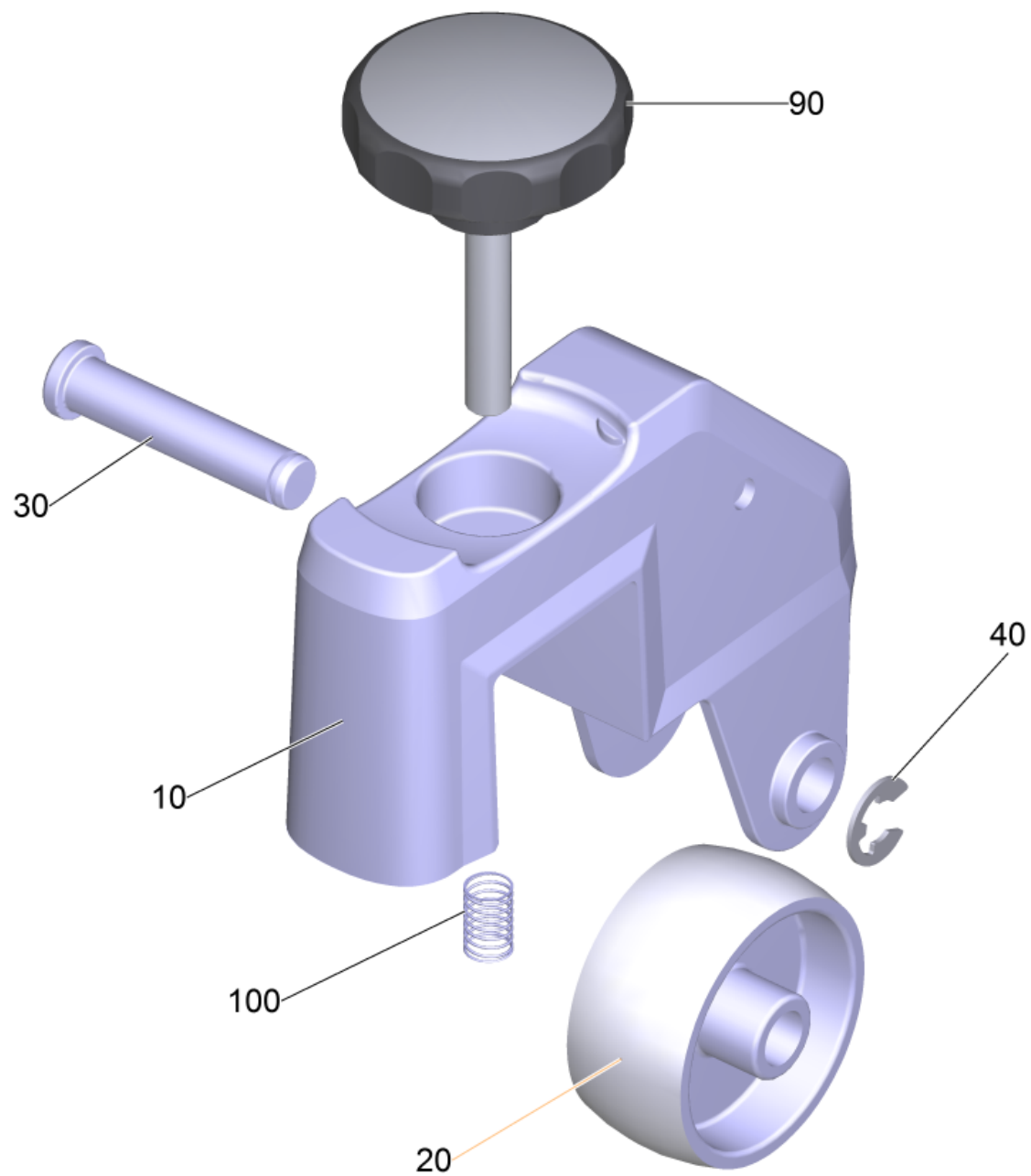
10 Suction bar pre-assembled curved 850mm

POS	Article no.	Description	Quantity	Unit
20	5.033-578.0	End piece inside left	1.000	ST
30	5.033-579.0	End piece inside right	1.000	ST



9000 Conversion kit support roller deep (4.035-281.0)

POS	Article no.	Description	Quantity	Unit
60	7.311-382.0	Cap nut M10-6-A3E DIN 1587	1.000	ST
20	6.435-179.0	Castor for thread deflector	1.000	ST
50	7.306-068.0	Cylinder head screw M10x45-8.8-A2K DIN	1.000	ST
10	5.101-626.0	Housing with additional weight	1.000	ST
30	5.332-554.0	Pressure spring	1.000	ST
70	6.996-526.0	Serrated locking washer d.10	1.000	ST
40	6.321-240.0	Star grip with inscription VA Ø50x43	1.000	ST

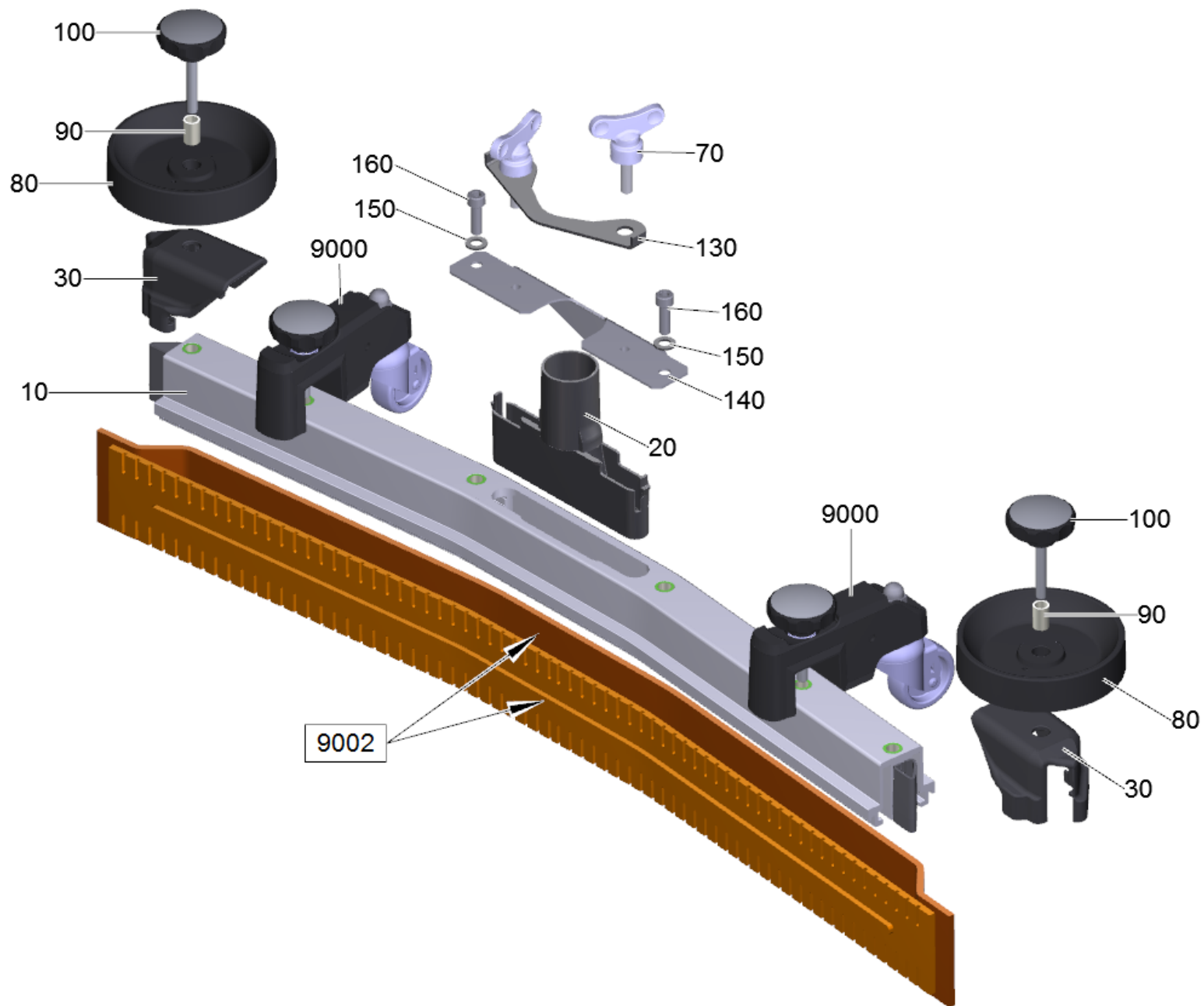


9000 Roller suction bar (4.035-339.0)

POS	Article no.	Description	Quantity	Unit
30	5.317-781.0	Bolt roller	1.000	ST
40	7.343-303.0	Locking ring 8-A2 DIN 6799	1.000	ST
100	5.332-504.0	Pressure spring	1.000	ST
10	5.101-139.0	Roller holder weight	1.000	ST
90	6.321-240.0	Star grip with inscription VA Ø50x43	1.000	ST
20	6.435-401.0	Wheel D54	1.000	ST

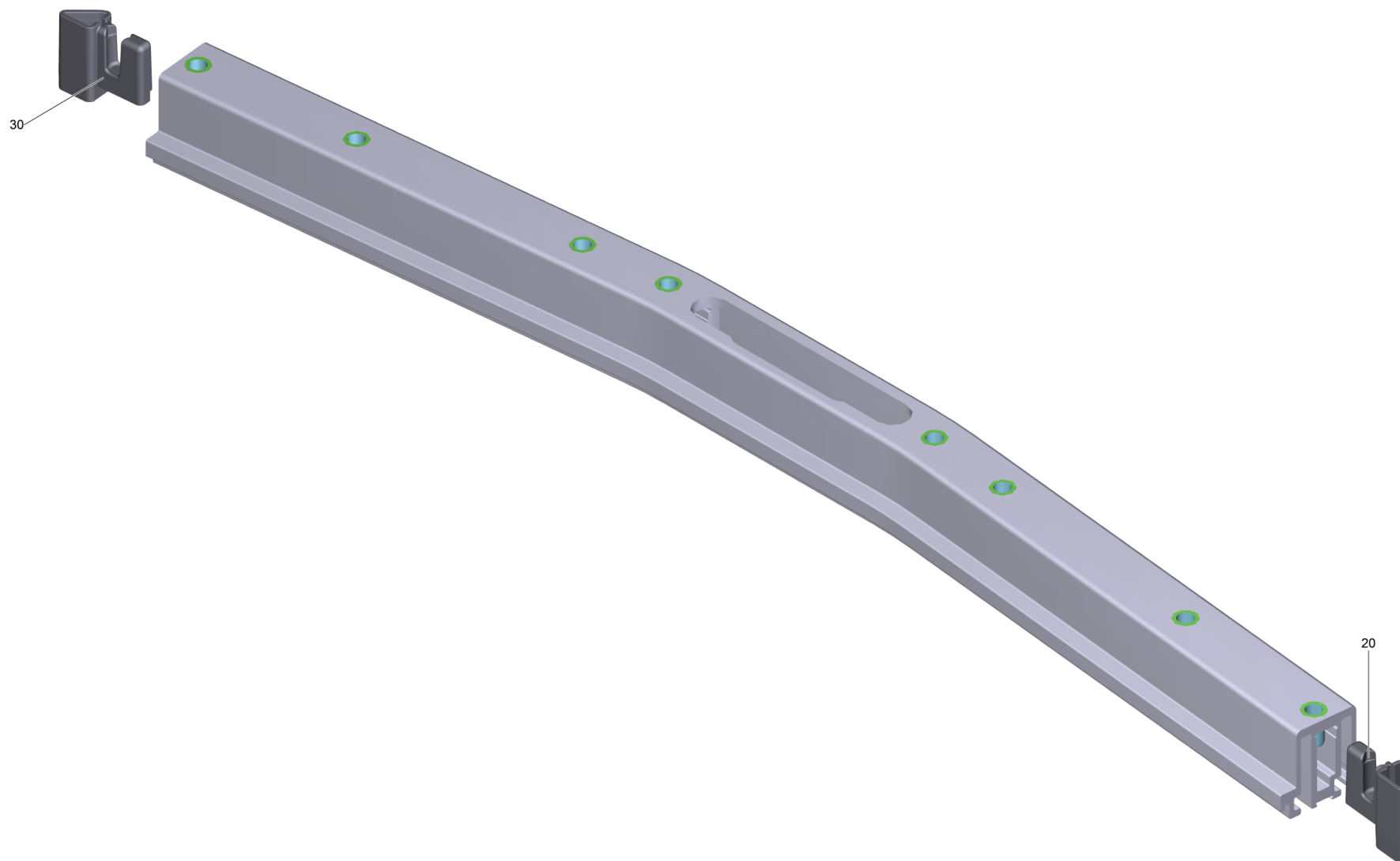
9002 BLADES FOR TEXTURED FLOORS (6.273-290.0)

POS	Article no.	Description	Quantity	Unit
20	6.273-229.0	Rubber lip set anti stripe oil resistant	1.000	ST



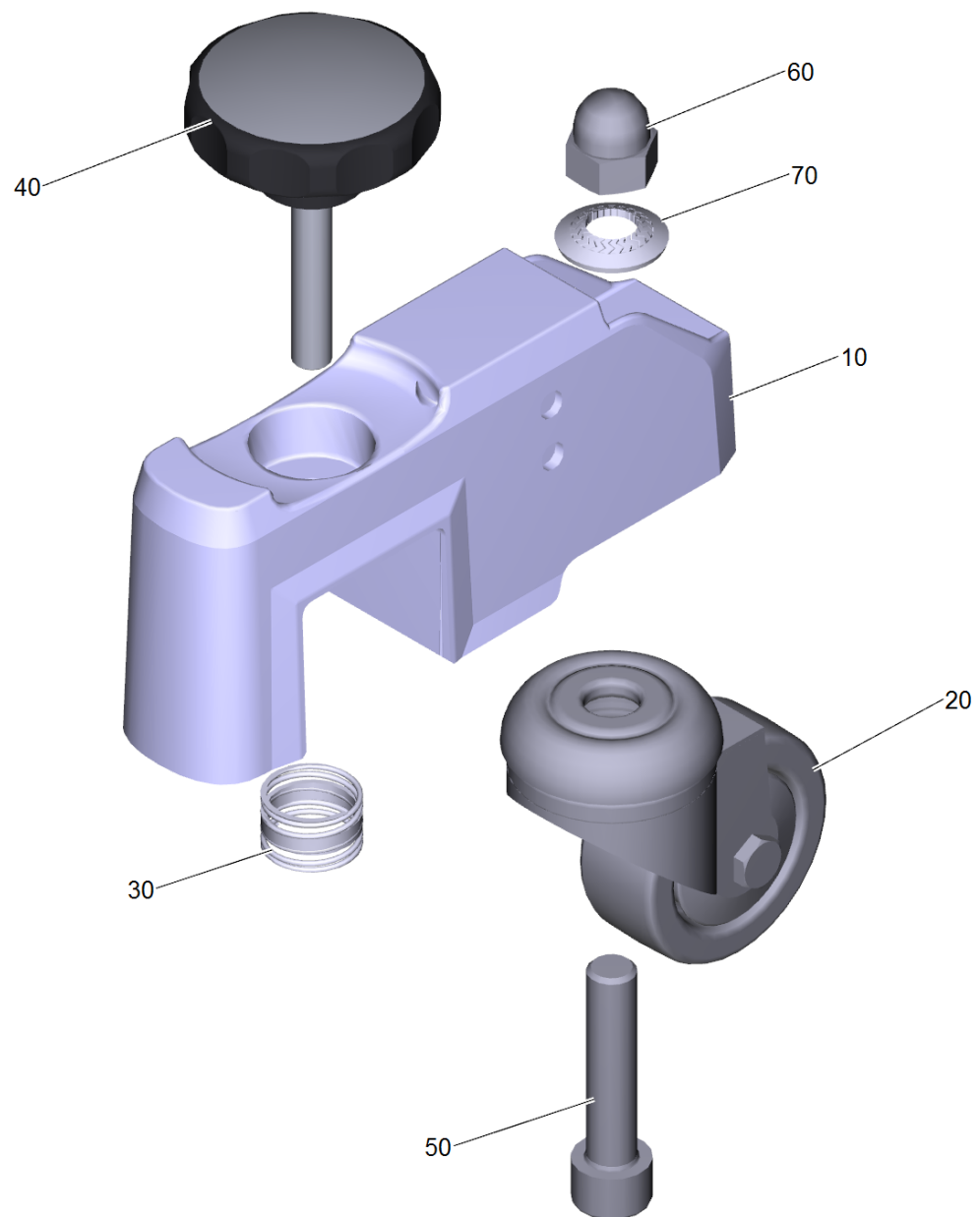
2 Suction bar curved 940mm (4.777-412.0)

POS	Article no.	Description	Quantity	Unit	Foot note text
9002	6.273-291.0	BLADES FOR TEXTURED FLOORS	1.000	ST	
9000	4.035-281.0	Conversion kit support roller deep	2.000	ST	VERSION 2
160	7.306-142.0	Cylinder head screw M 8x25-A4-70 ISO 47	2.000	ST	
80	5.515-346.0	Deflector roll suction bar D120	2.000	ST	
30	2.885-294.0	End piece left / right spare parts set	1.000	ST	
130	5.007-217.0	Plate	1.000	ST	
9000	4.035-339.0	Roller suction bar	2.000	ST	VERSION 1
9002	6.273-205.0	Rubber lip set anti stripe oil resistant	1.000	ZSA	
9002	6.273-208.0	Rubber lip set oil resistant	1.000	ZSA	
9002	6.273-214.0	Rubber lip set standard	1.000	ZSA	STANDARD
90	5.094-231.0	Sleeve suction bar in VA	2.000	ST	
110	5.112-810.0	Sleeve VA	2.000	ST	
100	6.321-243.0	Star grip stainless steel D50x48	2.000	ST	
10		Suction bar pre-assembled curved 940mm	1.000	ST	
140	5.100-559.0	Suction bar support plate	1.000	ST	
20	5.033-601.0	Suction nipple	1.000	ST	
150	7.312-017.0	Washer 8-A2 ISO 7089	2.000	ST	
70	5.305-296.0	Wing screw M8x40 VA	2.000	ST	



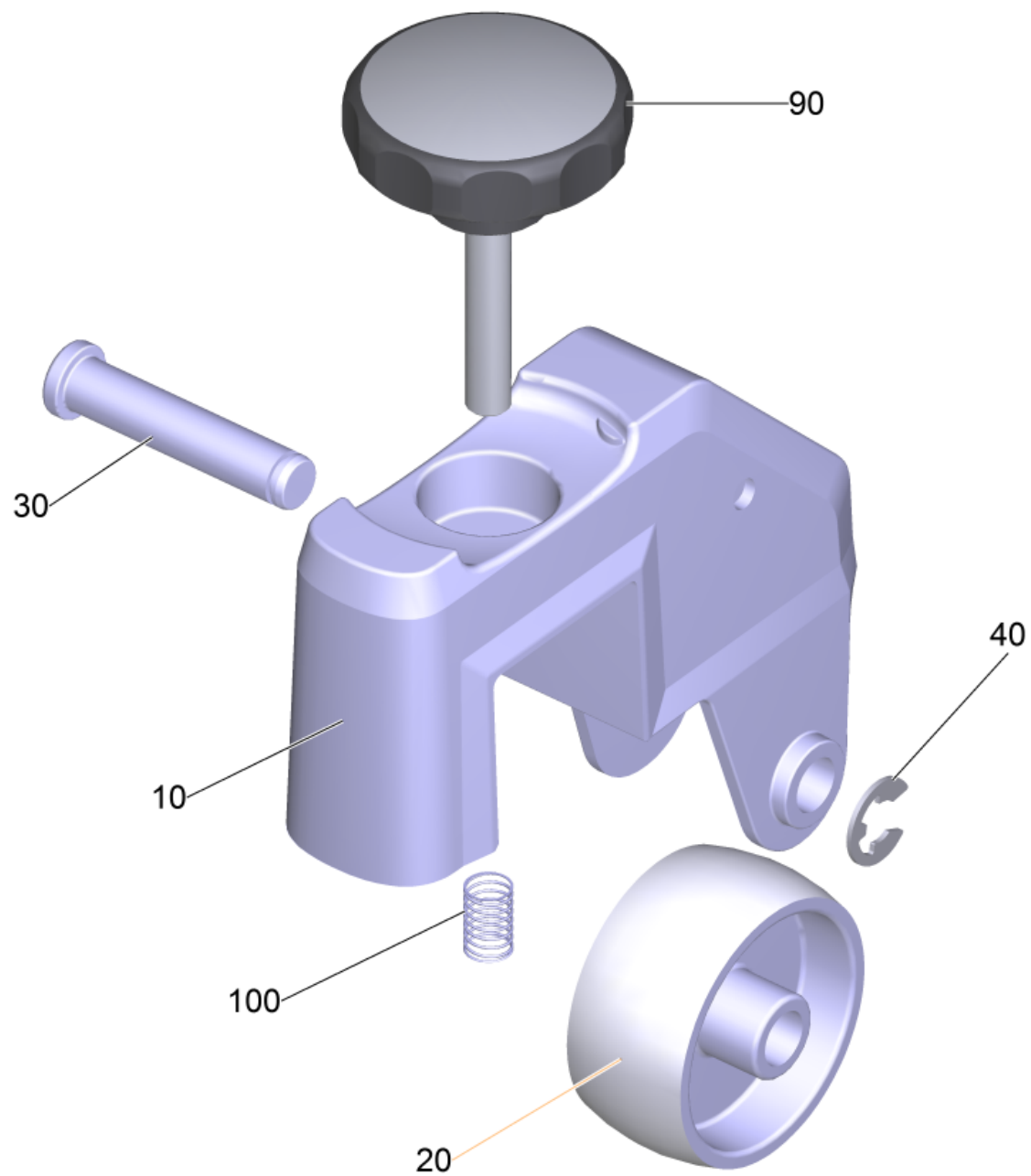
10 Suction bar pre-assembled curved 940mm

POS	Article no.	Description	Quantity	Unit
20	5.033-578.0	End piece inside left	1.000	ST
30	5.033-579.0	End piece inside right	1.000	ST



9000 Conversion kit support roller deep (4.035-281.0)

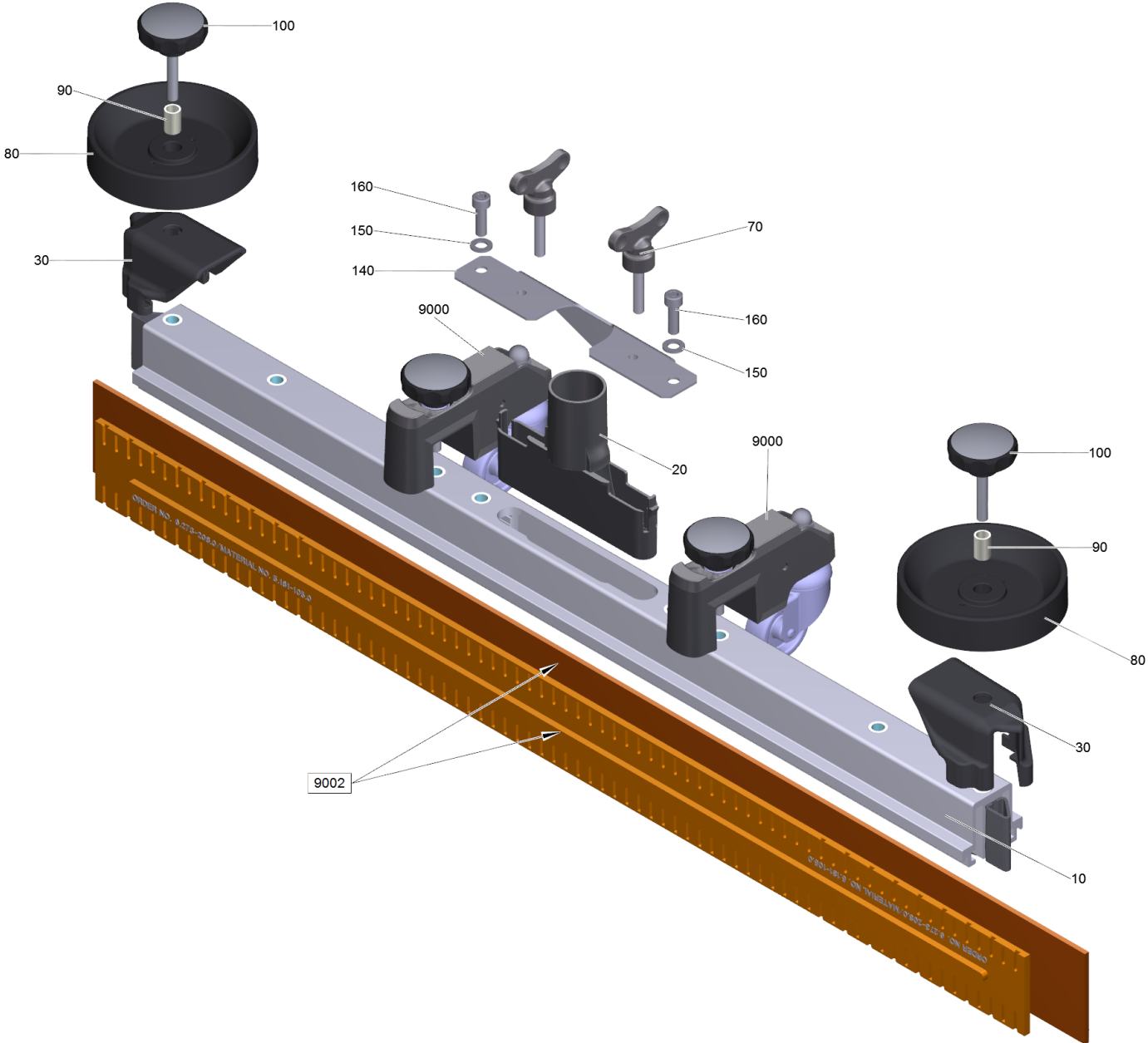
POS	Article no.	Description	Quantity	Unit
60	7.311-382.0	Cap nut M10-6-A3E DIN 1587	1.000	ST
20	6.435-179.0	Castor for thread deflector	1.000	ST
50	7.306-068.0	Cylinder head screw M10x45-8.8-A2K DIN	1.000	ST
10	5.101-626.0	Housing with additional weight	1.000	ST
30	5.332-554.0	Pressure spring	1.000	ST
70	6.996-526.0	Serrated locking washer d.10	1.000	ST
40	6.321-240.0	Star grip with inscription VA Ø50x43	1.000	ST



9000 Roller suction bar (4.035-339.0)

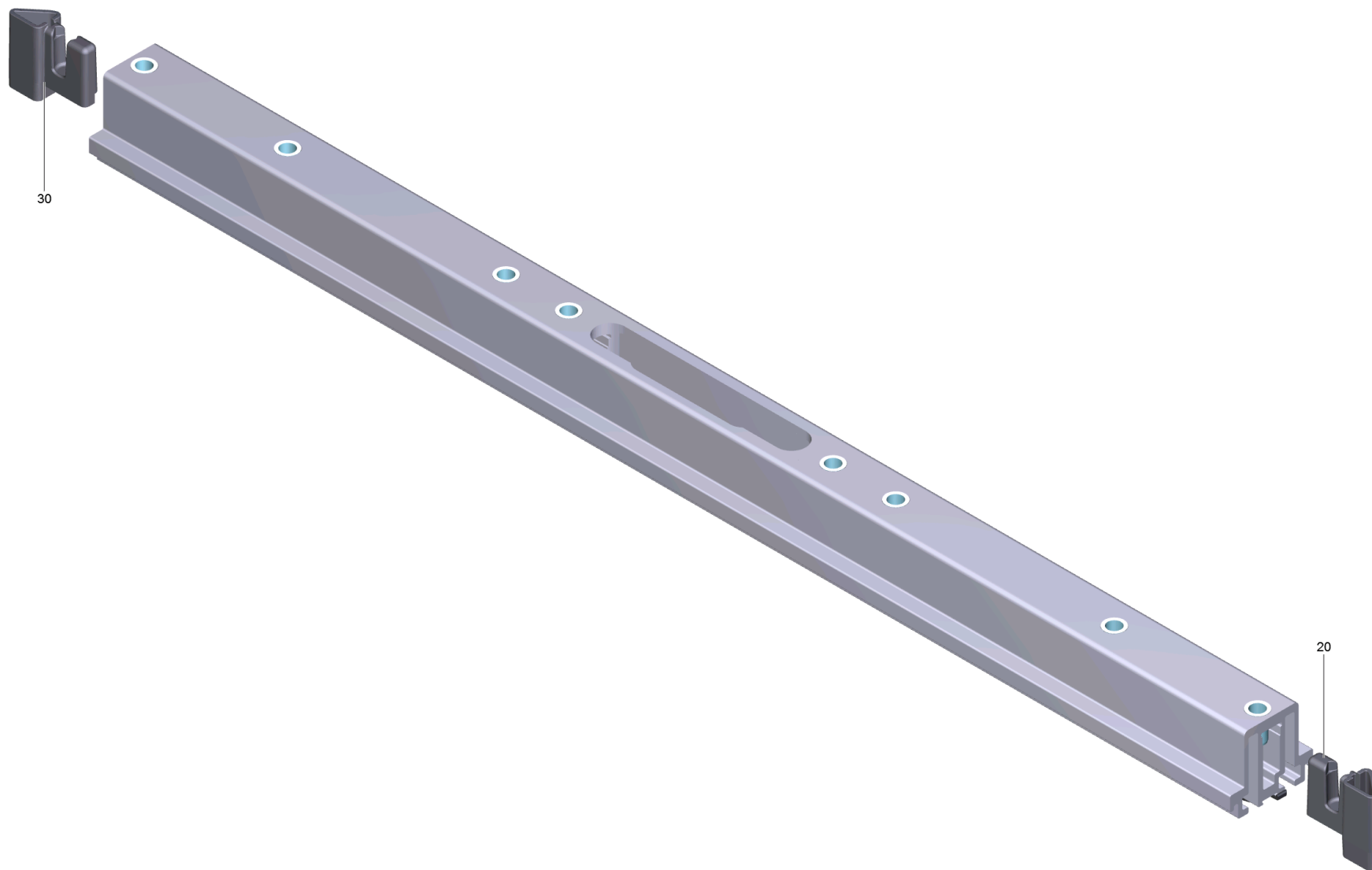
POS	Article no.	Description	Quantity	Unit
30	5.317-781.0	Bolt roller	1.000	ST
40	7.343-303.0	Locking ring 8-A2 DIN 6799	1.000	ST
100	5.332-504.0	Pressure spring	1.000	ST
10	5.101-139.0	Roller holder weight	1.000	ST
90	6.321-240.0	Star grip with inscription VA Ø50x43	1.000	ST
20	6.435-401.0	Wheel D54	1.000	ST

8 Suction bar straight 850mm (4.777-401.0)



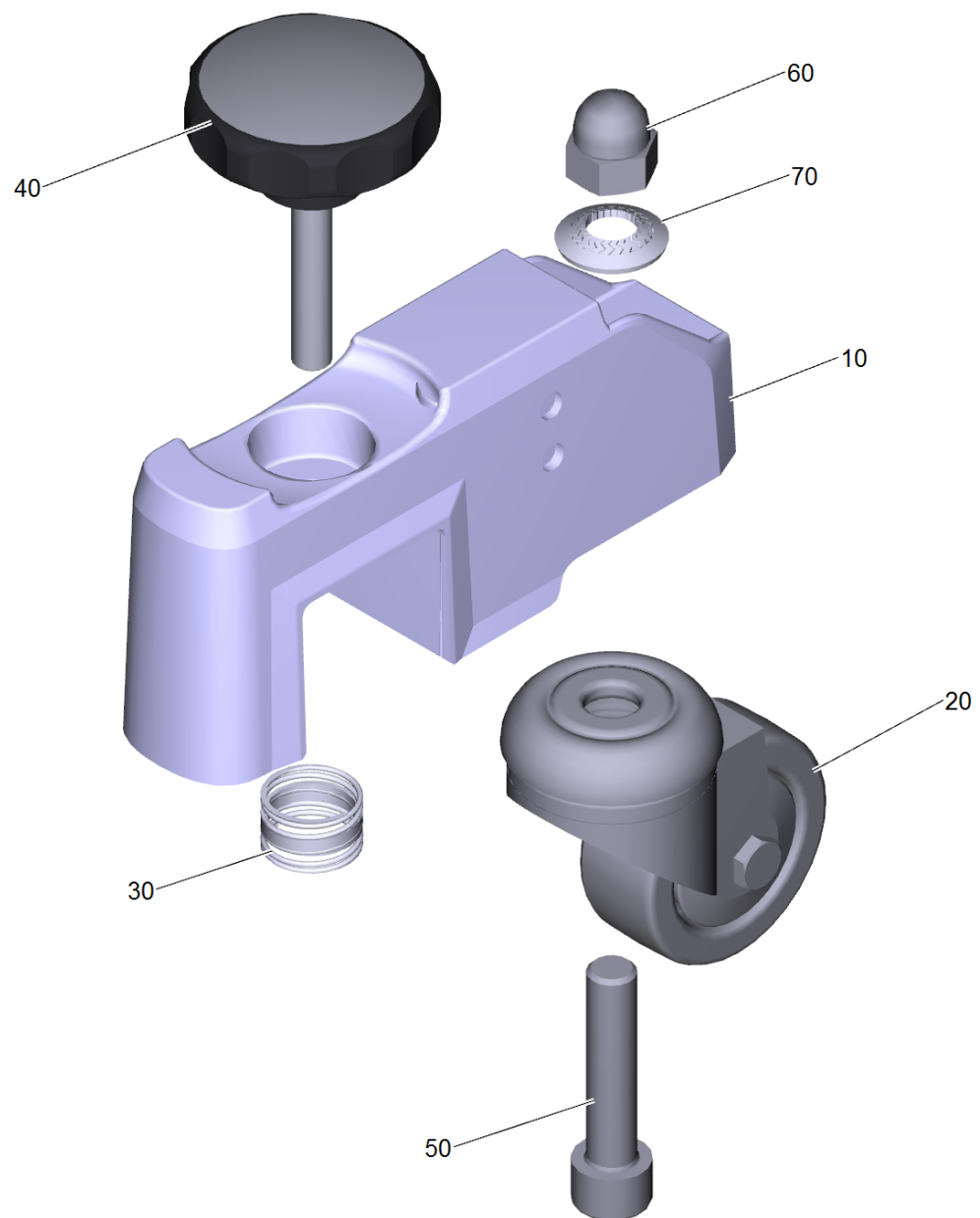
8 Suction bar straight 850mm (4.777-401.0)

POS	Article no.	Description	Quantity	Unit	Remark	Foot note text
9002	6.273-290.0	BLADES FOR TEXTURED FLOORS	1.000	ST		
9000	4.035-281.0	Conversion kit support roller deep	2.000	ST	VERSION 2	ORDER QTY. 2
160	7.306-142.0	Cylinder head screw M 8x25-A4-70 ISO 47	2.000	ST		
80	5.515-346.0	Deflector roll suction bar D120	2.000	ST		
30	2.885-294.0	End piece left / right spare parts set	1.000	ST		
9000	4.035-339.0	Roller suction bar	2.000	ST	VERSION 1	
9002	6.273-229.0	Rubber lip set anti stripe oil resistant	1.000	ST		
9002	6.273-207.0	Rubber lip set oil resistant BR- BD530,55	1.000	ZSA		
9002	6.273-213.0	Rubber lip set standard	1.000	ZSA		STANDARD
90	5.094-231.0	Sleeve suction bar in VA	2.000	ST		
100	6.321-243.0	Star grip stainless steel D50x48	2.000	ST		
10		Suction bar pre-assembled straight 850mm	1.000	ST		
140	5.100-559.0	Suction bar support plate	1.000	ST		
20	5.033-601.0	Suction nipple	1.000	ST		
150	7.312-017.0	Washer 8-A2 ISO 7089	2.000	ST		
70	5.305-008.0	Wing screw M8x30 VA	2.000	ST		



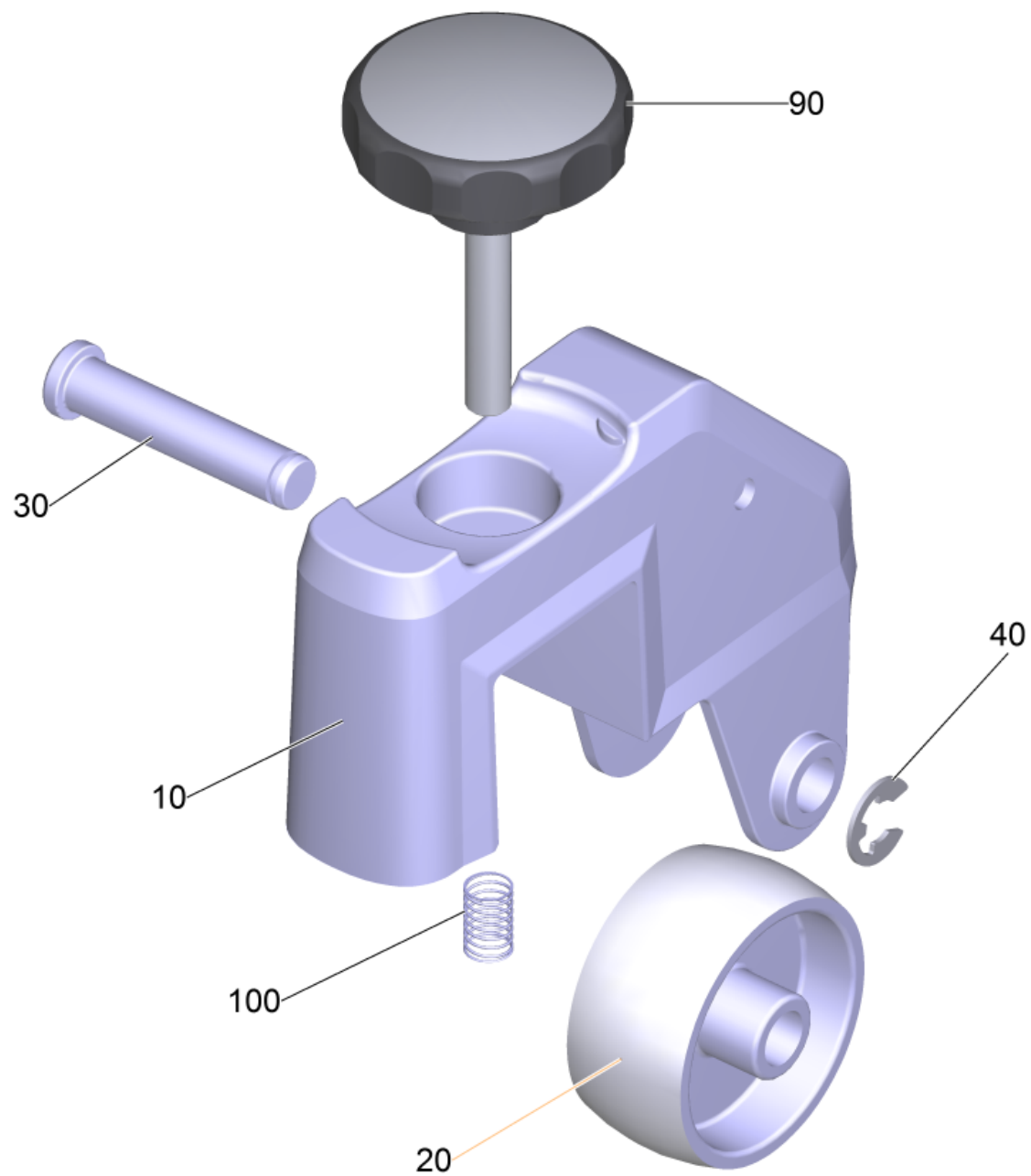
10 Suction bar pre-assembled straight 850mm

POS	Article no.	Description	Quantity	Unit
20	5.033-578.0	End piece inside left	1.000	ST
30	5.033-579.0	End piece inside right	1.000	ST



9000 Conversion kit support roller deep (4.035-281.0)

POS	Article no.	Description	Quantity	Unit
60	7.311-382.0	Cap nut M10-6-A3E DIN 1587	1.000	ST
20	6.435-179.0	Castor for thread deflector	1.000	ST
50	7.306-068.0	Cylinder head screw M10x45-8.8-A2K DIN	1.000	ST
10	5.101-626.0	Housing with additional weight	1.000	ST
30	5.332-554.0	Pressure spring	1.000	ST
70	6.996-526.0	Serrated locking washer d.10	1.000	ST
40	6.321-240.0	Star grip with inscription VA Ø50x43	1.000	ST



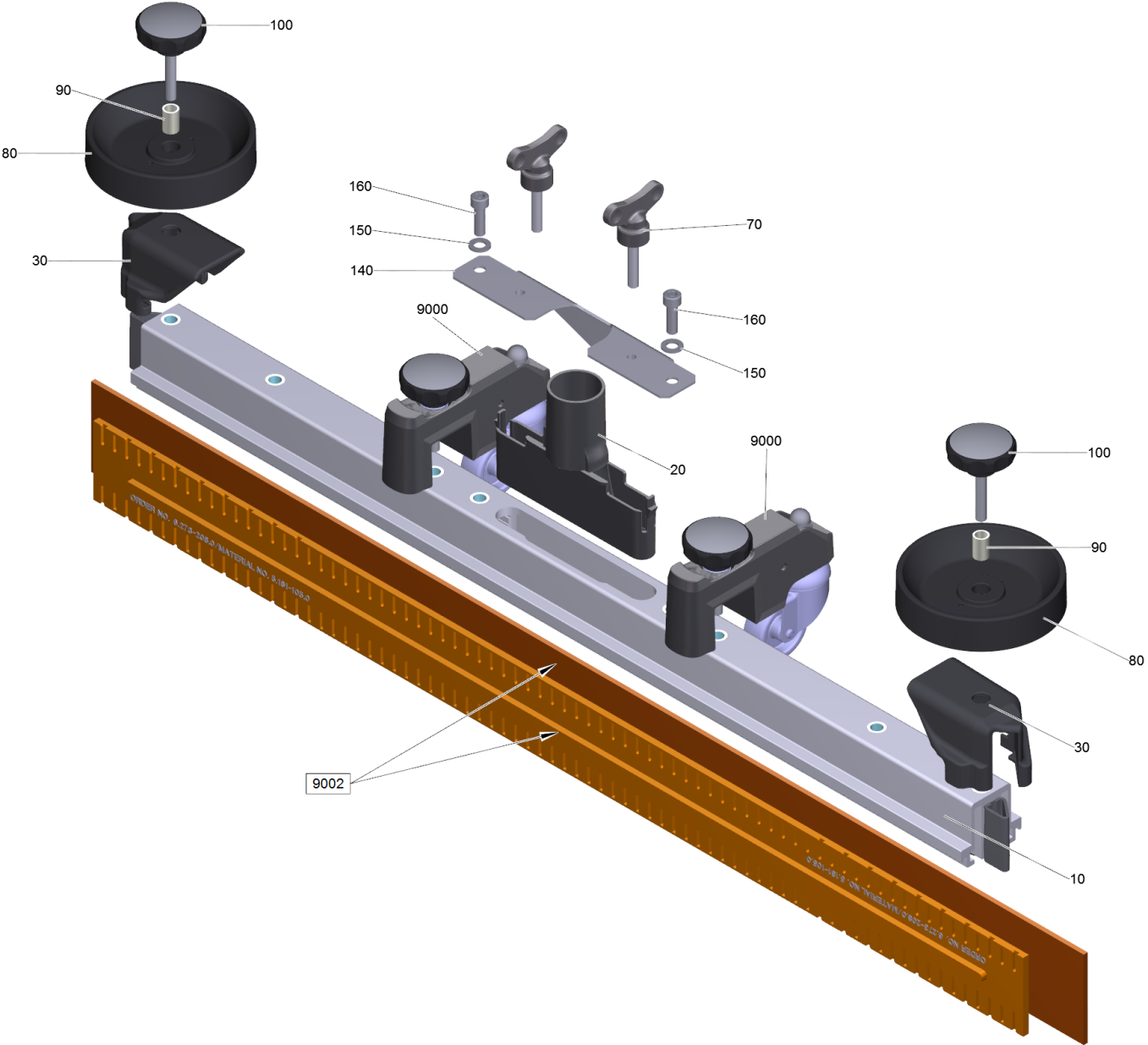
9000 Roller suction bar (4.035-339.0)

POS	Article no.	Description	Quantity	Unit
30	5.317-781.0	Bolt roller	1.000	ST
40	7.343-303.0	Locking ring 8-A2 DIN 6799	1.000	ST
100	5.332-504.0	Pressure spring	1.000	ST
10	5.101-139.0	Roller holder weight	1.000	ST
90	6.321-240.0	Star grip with inscription VA Ø50x43	1.000	ST
20	6.435-401.0	Wheel D54	1.000	ST

9002 BLADES FOR TEXTURED FLOORS (6.273-290.0)

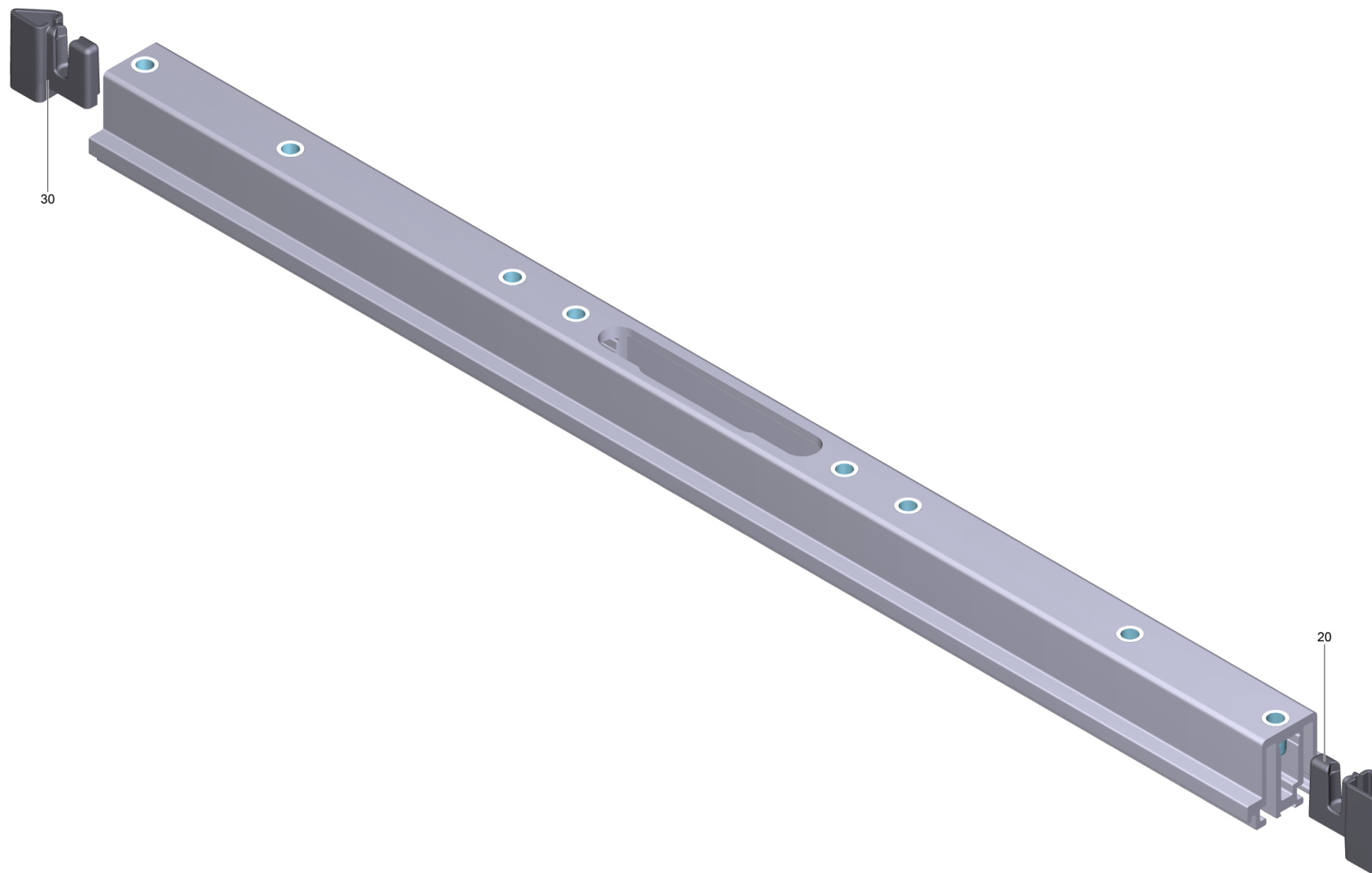
POS	Article no.	Description	Quantity	Unit
20	6.273-229.0	Rubber lip set anti stripe oil resistant	1.000	ST

8 Suction bar straight 940mm (4.777-402.0)



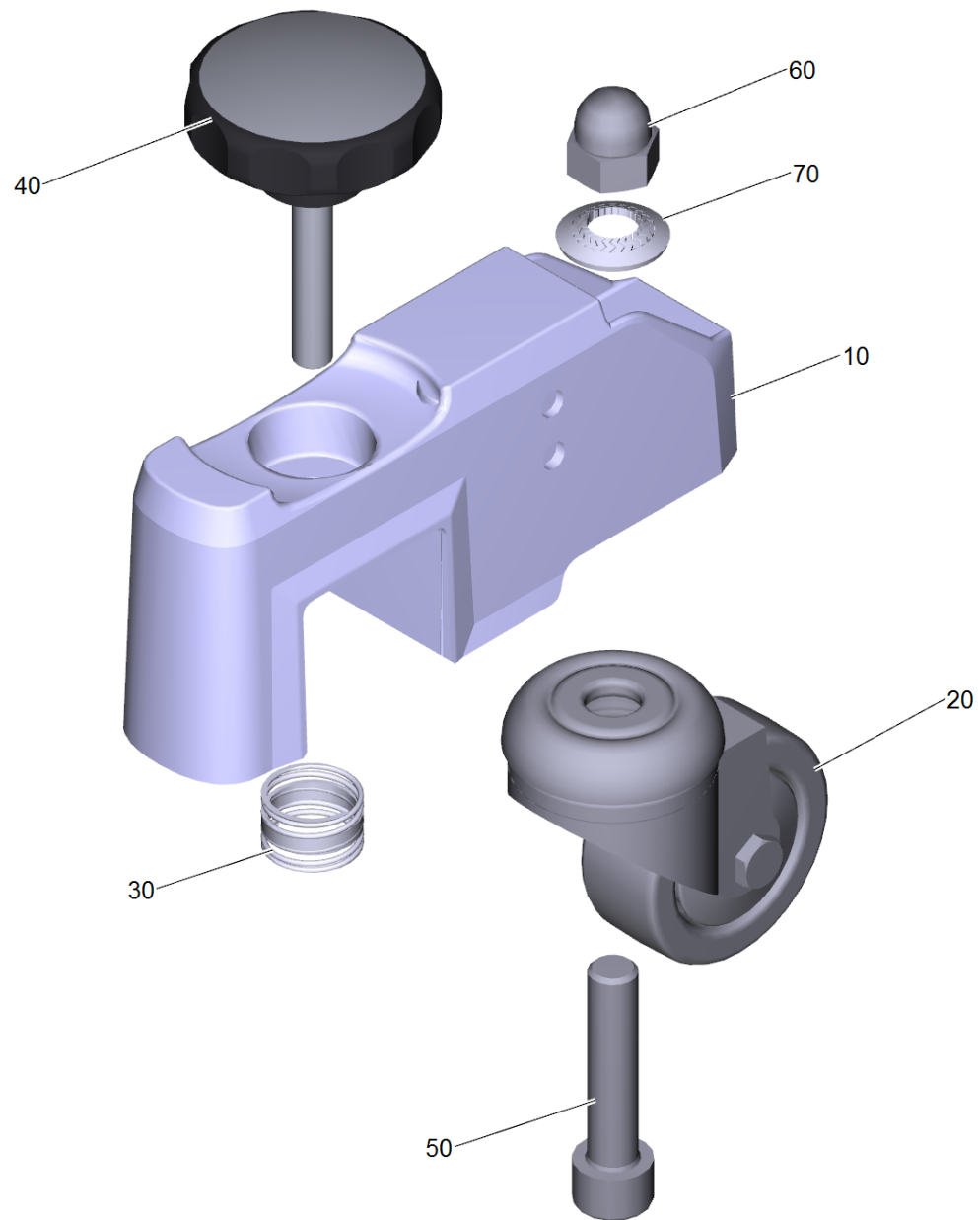
8 Suction bar straight 940mm (4.777-402.0)

POS	Article no.	Description	Quantity	Unit	Foot note text
9002	6.273-291.0	BLADES FOR TEXTURED FLOORS	1.000	ST	
9000	4.035-281.0	Conversion kit support roller deep	2.000	ST	VERSION 2
160	7.306-142.0	Cylinder head screw M 8x25-A4-70 ISO 47	2.000	ST	
80	5.515-346.0	Deflector roll suction bar D120	2.000	ST	
30	2.885-294.0	End piece left / right spare parts set	1.000	ST	
9000	4.035-339.0	Roller suction bar	2.000	ST	VERSION 1
9002	6.273-205.0	Rubber lip set anti stripe oil resistant	1.000	ZSA	
9002	6.273-208.0	Rubber lip set oil resistant	1.000	ZSA	
9002	6.273-214.0	Rubber lip set standard	1.000	ZSA	STANDARD
90	5.094-231.0	Sleeve suction bar in VA	2.000	ST	
100	6.321-243.0	Star grip stainless steel D50x48	2.000	ST	
10		Suction bar pre-assembled straight 940mm	1.000	ST	
140	5.100-559.0	Suction bar support plate	1.000	ST	
20	5.033-601.0	Suction nipple	1.000	ST	
150	7.312-017.0	Washer 8-A2 ISO 7089	2.000	ST	
70	5.305-008.0	Wing screw M8x30 VA	2.000	ST	



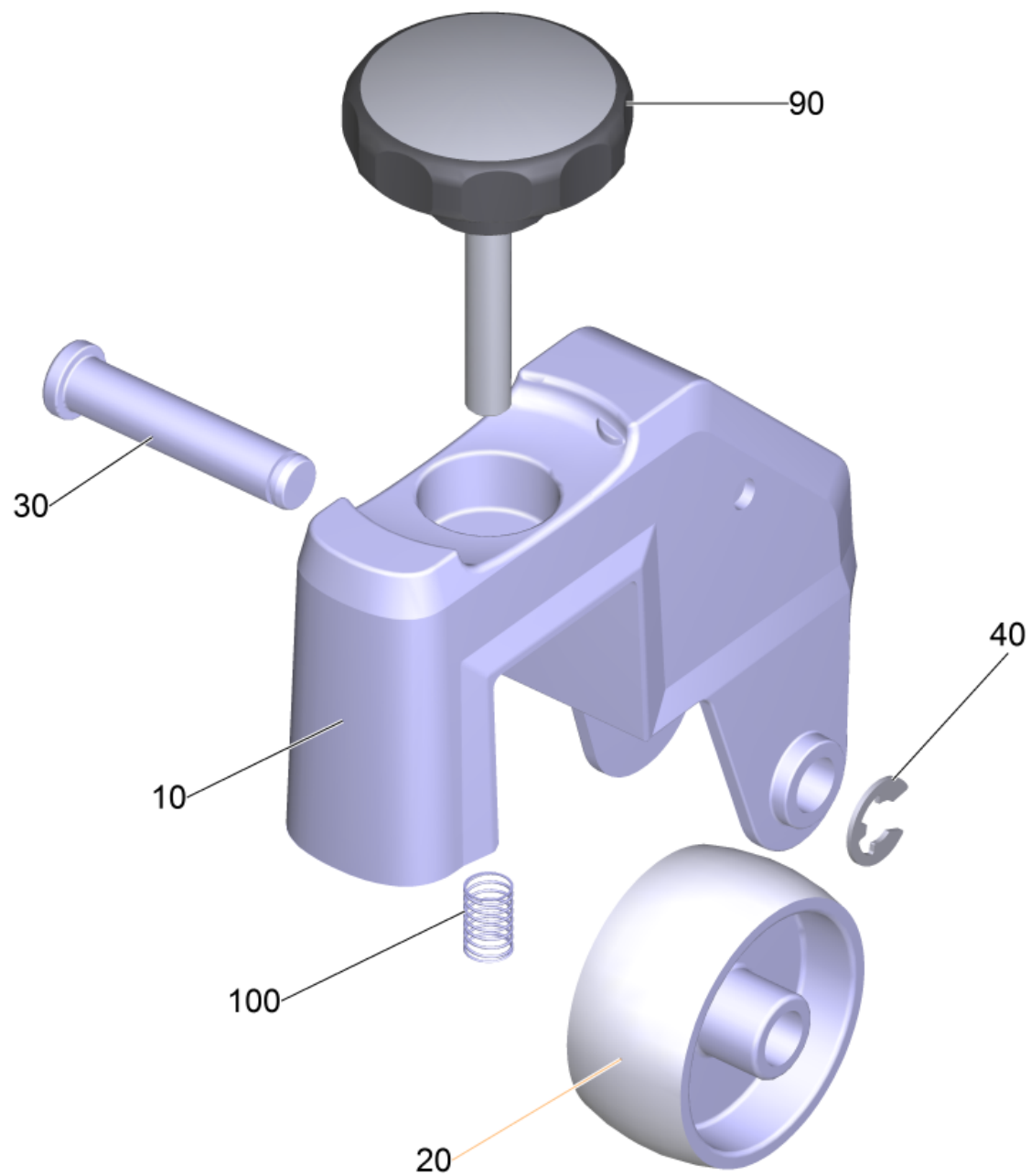
10 Suction bar pre-assembled straight 940mm

POS	Article no.	Description	Quantity	Unit
20	5.033-578.0	End piece inside left	1.000	ST
30	5.033-579.0	End piece inside right	1.000	ST



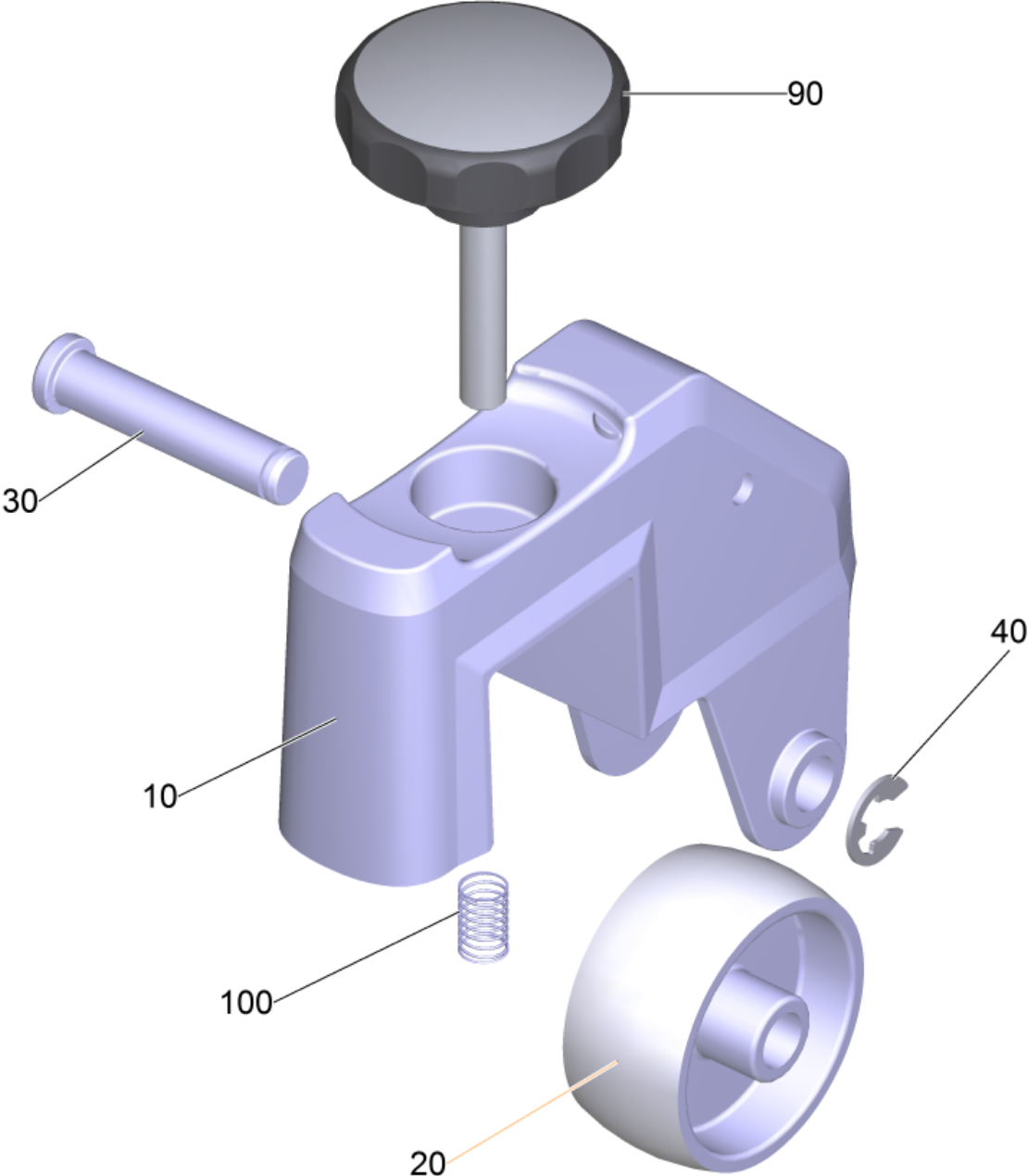
9000 Conversion kit support roller deep (4.035-281.0)

POS	Article no.	Description	Quantity	Unit
60	7.311-382.0	Cap nut M10-6-A3E DIN 1587	1.000	ST
20	6.435-179.0	Castor for thread deflector	1.000	ST
50	7.306-068.0	Cylinder head screw M10x45-8.8-A2K DIN	1.000	ST
10	5.101-626.0	Housing with additional weight	1.000	ST
30	5.332-554.0	Pressure spring	1.000	ST
70	6.996-526.0	Serrated locking washer d.10	1.000	ST
40	6.321-240.0	Star grip with inscription VA Ø50x43	1.000	ST



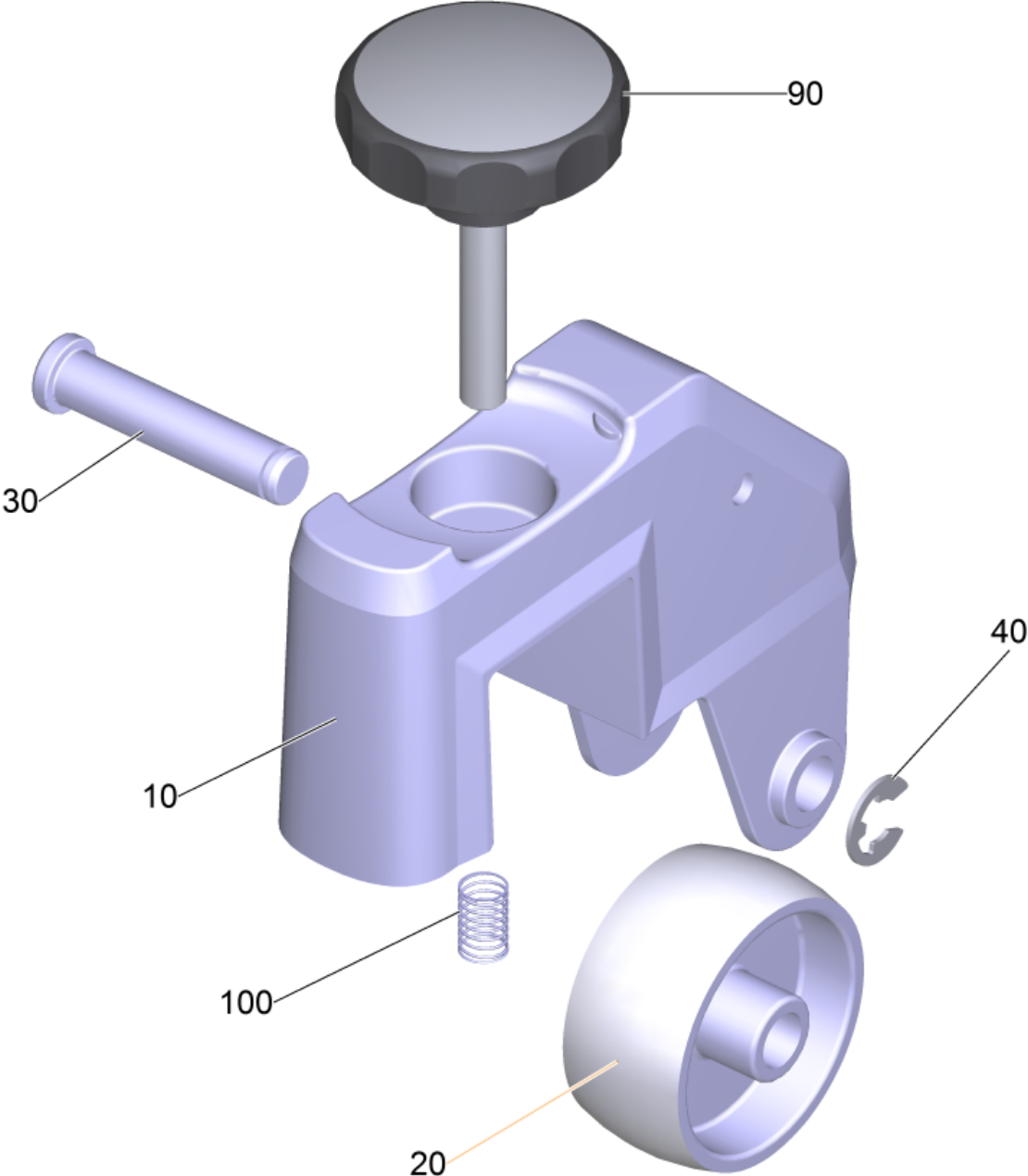
9000 Roller suction bar (4.035-339.0)

POS	Article no.	Description	Quantity	Unit
30	5.317-781.0	Bolt roller	1.000	ST
40	7.343-303.0	Locking ring 8-A2 DIN 6799	1.000	ST
100	5.332-504.0	Pressure spring	1.000	ST
10	5.101-139.0	Roller holder weight	1.000	ST
90	6.321-240.0	Star grip with inscription VA Ø50x43	1.000	ST
20	6.435-401.0	Wheel D54	1.000	ST



19 Add-on kit rollers suction bar (2.640-023.0)

POS	Article no.	Description	Quantity	Unit
30	5.317-781.0	Bolt roller	2.000	ST
40	7.343-303.0	Locking ring 8-A2 DIN 6799	2.000	ST
100	5.332-504.0	Pressure spring	2.000	ST
10	5.101-139.0	Roller holder weight	2.000	ST
90	6.321-240.0	Star grip with inscription VA Ø50x43	2.000	ST
20	6.435-401.0	Wheel D54	2.000	ST

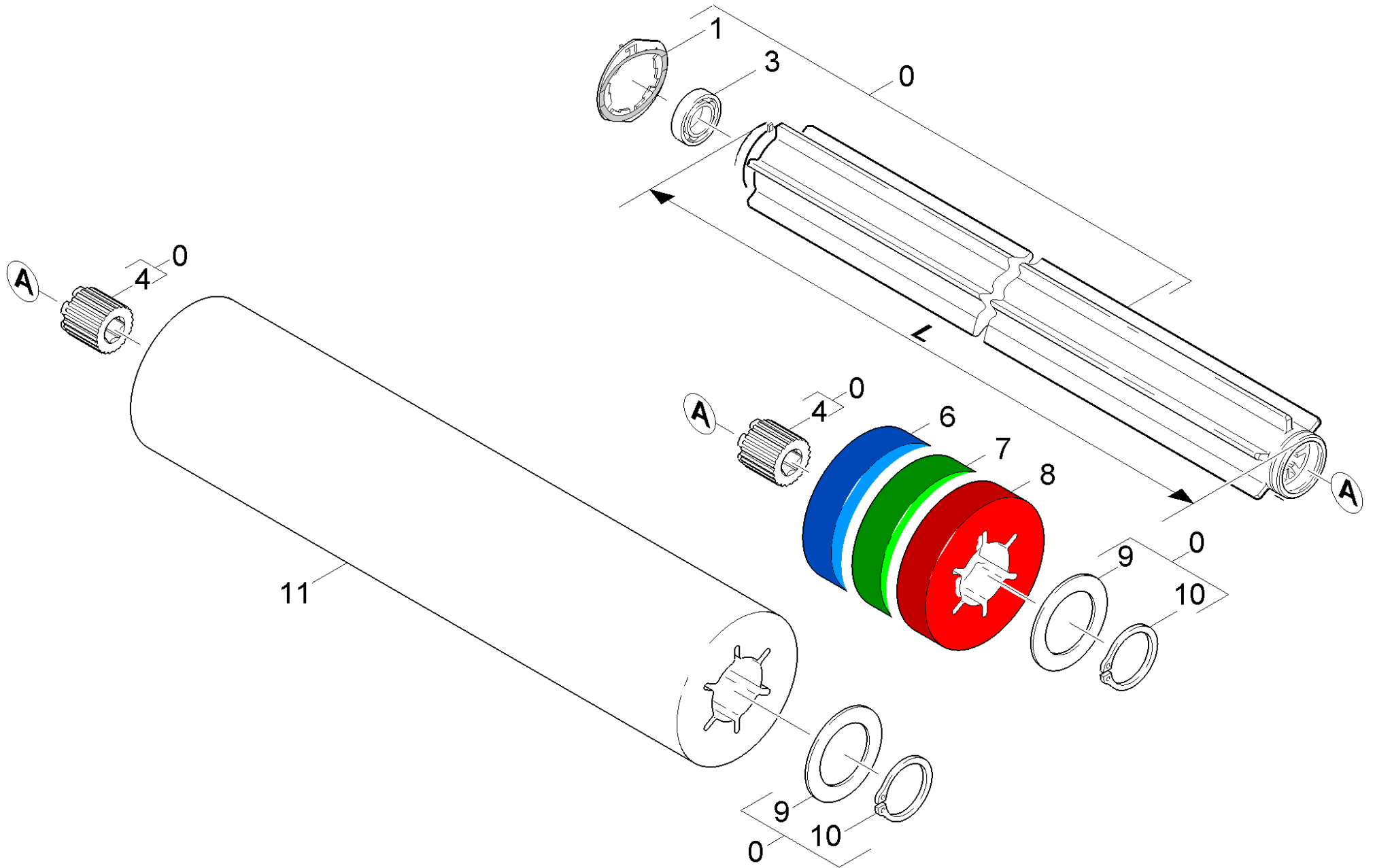


19 Roller suction bar (4.035-339.0)

POS	Article no.	Description	Quantity	Unit
30	5.317-781.0	Bolt roller	1.000	ST
40	7.343-303.0	Locking ring 8-A2 DIN 6799	1.000	ST
100	5.332-504.0	Pressure spring	1.000	ST
10	5.101-139.0	Roller holder weight	1.000	ST
90	6.321-240.0	Star grip with inscription VA Ø50x43	1.000	ST
20	6.435-401.0	Wheel D54	1.000	ST

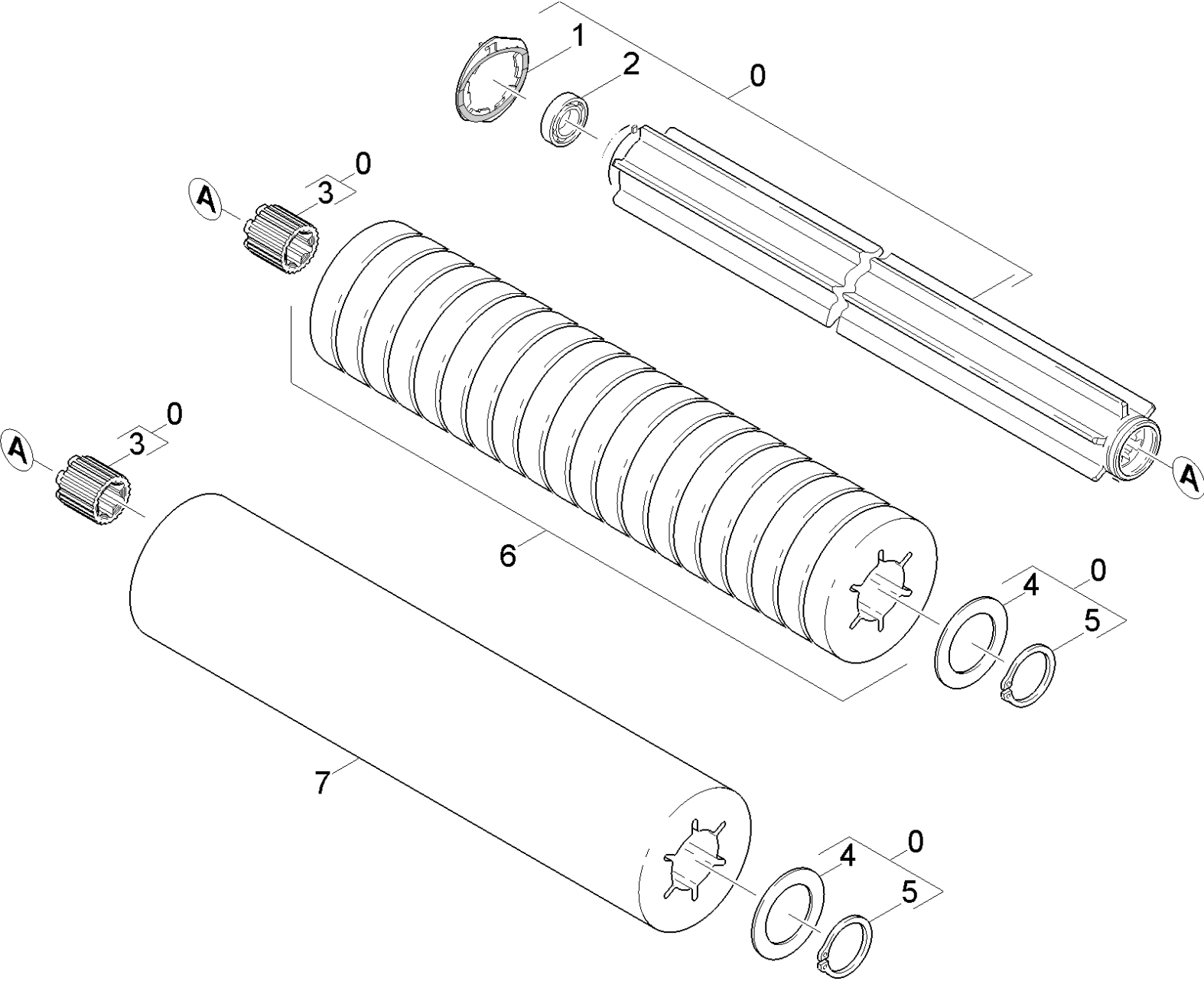
100 Roll pad BR

POS	Description	Quantity	Unit
102	Roll pad	1.000	ST
101	Roll pad	1.000	ST



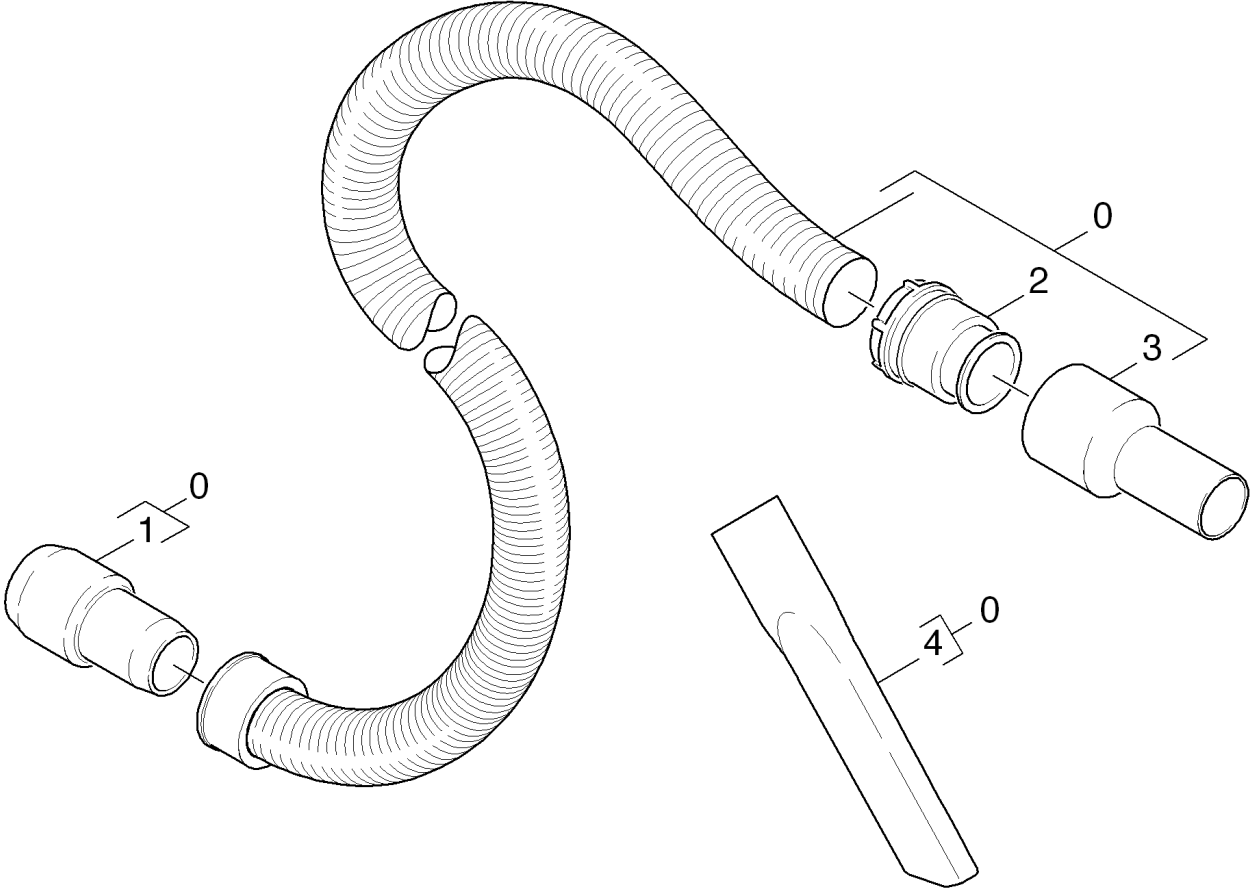
101 Roll pad

POS	Article no.	Description	Quantity	Unit	Remark
3	7.401-005.0	Ball bearing 6302-2RS- DIN 6	1.000	ST	
4	5.112-736.0	Bush hexagon 19mm	1.000	ST	
10	7.343-037.0	Locking ring 50x2-FST-RF DIN 471	1.000	ST	
11	4.114-005.0	Micro-fibre roll complete BR 55	1.000	ST	
7	6.369-455.0	Pad green 105-20ST	1.000	ZSA	
8	6.369-456.0	Pad red 105-20ST	1.000	ZSA	
6	6.369-454.0	Pad yellow 105-20ST	1.000	ZSA	
0	4.762-332.0	Roll pad	1.000	ST	L = 532mm
9	5.005-267.0	Ronde	1.000	ST	
1	4.115-004.0	Washer closure	1.000	ST	



102 Roll pad

POS	Article no.	Description	Quantity	Unit
2	7.401-005.0	Ball bearing 6302-2RS- DIN 6	1.000	ST
3	5.112-823.0	Bush Torx	2.000	ST
5	7.343-037.0	Locking ring 50x2-FST-RF DIN 471	1.000	ST
7	4.114-006.0	Micro-fibre roll complete BR 65	2.000	ST
6	6.369-455.0	Pad green 105-20ST	2.000	ZSA
6	6.369-456.0	Pad red 105-20ST	2.000	ZSA
6	6.369-389.0	Pad white 105-20ST	2.000	ZSA
6	6.369-454.0	Pad yellow 105-20ST	2.000	ZSA
0	4.762-433.0	Roll pad BR 65	2.000	ST
4	5.005-267.0	Ronde	1.000	ST
1	4.115-004.0	Washer closure	1.000	ST



110 Suction hose

POS	Article no.	Description	Quantity	Unit
1	5.453-055.0	Connecting sleeve	1.000	ST
4	6.906-240.0	Crevice nozzle DN35	1.000	ST
3	6.902-030.0	Sleeve NW35	1.000	ST
0	4.444-015.0	Suction hose accessories	1.000	ST
2	6.902-031.0	Threaded ring DN32	1.000	ST

Suction hose accessories (4.444-015.0)

POS	Article no.	Description	Quantity	Unit
3	5.453-055.0	Connecting sleeve	1.000	ST
6	6.906-240.0	Crevice nozzle DN35	1.000	ST
5	6.902-030.0	Sleeve NW35	1.000	ST
4	6.902-031.0	Threaded ring DN32	1.000	ST