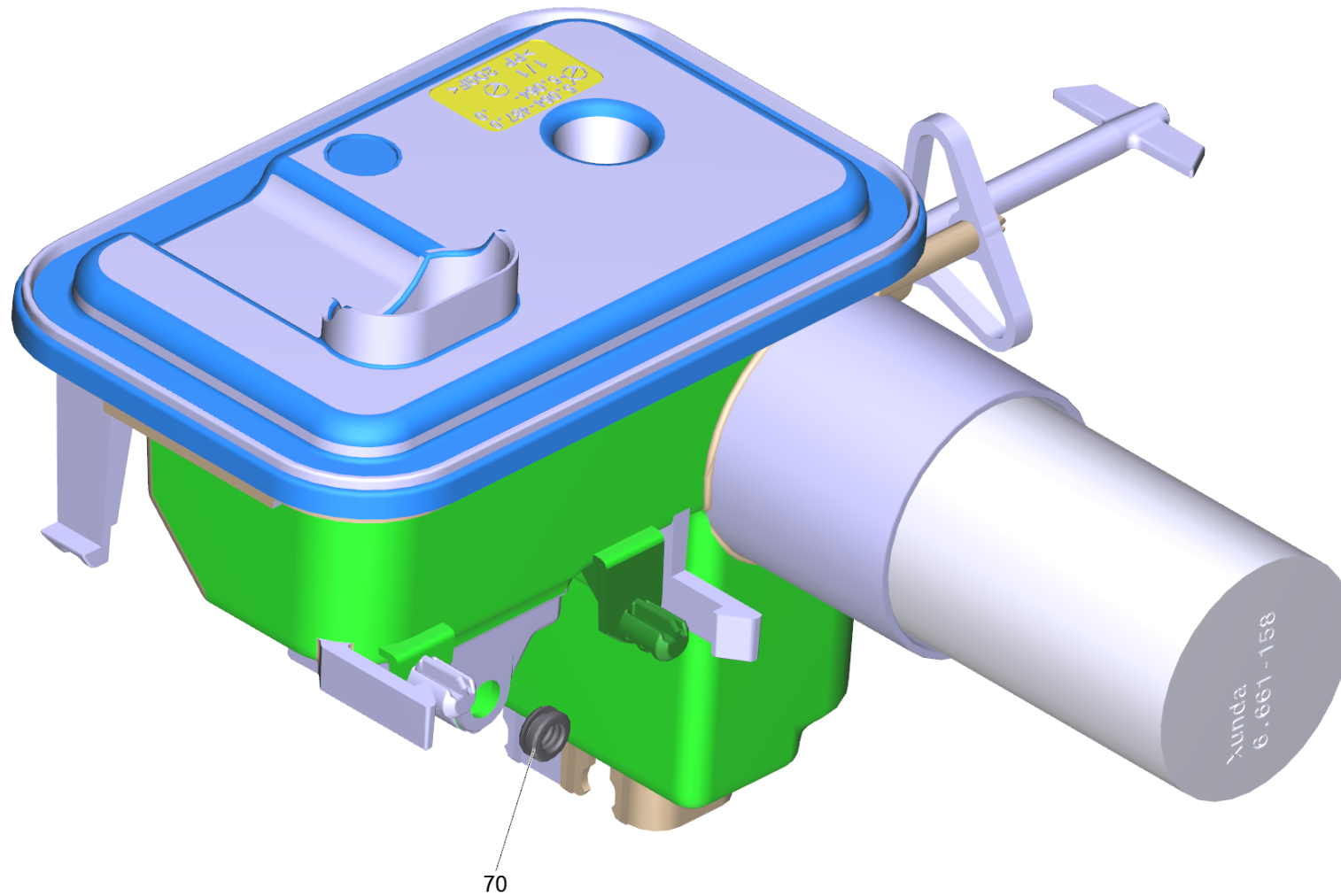


53 Electric box for replacement *EU (4.800-010.3)

Home and Garden \ High pressure cleaner cold water \ Electric motor \ K 7 \ K 7 Premium Full Control Plus *EU \ Spare parts list K7 FC Premium *EU \ Pump set complete K7 FC *EU 2017 (DS) \ Electric box for replacement *EU

KÄRCHER



53 Electric box for replacement *EU (4.800-010.3)

Home and Garden \ High pressure cleaner cold water \ Electric motor \ K 7 \ K 7 Premium Full Control Plus *EU \ Spare parts list K7 FC Premium *EU \ Pump set complete K7 FC *EU 2017 (DS) \ Electric box for replacement *EU

KÄRCHER

POS	Article no.	Description	Quantity	Unit
70	5.363-749.0	Seal control piston	1.000	ST