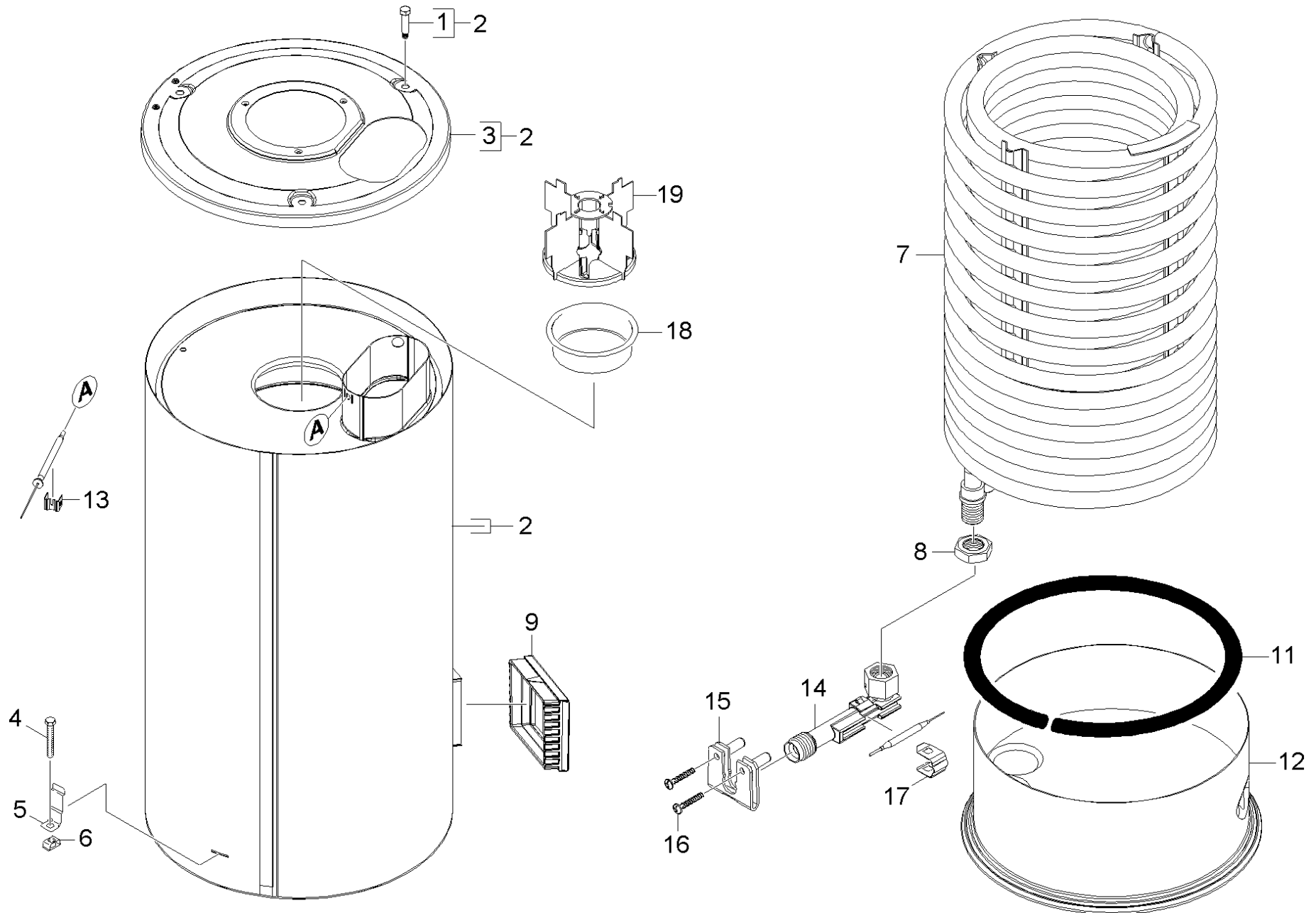


72 Outer covering and heating coil

Professional \ High pressure cleaner hotwater \ Electric motor \ HDS 8/17 C *EU-I \ Spare parts list HDS 8/17 C \ Flow heater \ Outer covering and heating coil

KÄRCHER



72 Outer covering and heating coil

Professional \ High pressure cleaner hotwater \ Electric motor \ HDS 8/17 C *EU-I \ Spare parts list HDS 8/17 C \ Flow heater \ Outer covering and heating coil

KÄRCHER

POS	Article no.	Description	Quantity	Unit	Foot note text
19	4.663-073.0	Baffle plate complete	1	PC	
11	6.366-009.0	Seal string	1	PC	
18	5.664-182.0	Flame tube	1	PC	
17	5.263-064.0	Tensioning part	1	PC	
15	5.043-076.0	Holder high-pressure outlet	1	PC	
14	4.422-964.0	Manifold complete high-pressure outlet	1	PC	
13	5.034-834.0	Holder probe	1	PC	
12	4.655-044.0	Bottom pressure boiler	1	PC	
9	5.195-319.0	Seal air circulation	1	PC	
2	4.652-147.0	Outer covering complete	1	PC	
7	4.680-123.0	Heating coil	1	PC	
7	4.680-114.0	Heating coil VA	1	PC	STAINLESS STEEL CONSTRUCTION
3	5.654-051.0	Cover pressure boiler	1	PC	
8	7.311-155.0	Hexagon nut M22x1,5 -Cu2 DIN 936	2	PC	
16	7.303-086.0	Screw 5x30 -10.9-R2R (K-In6Rd)	2	PC	
6	6.310-081.0	Cage nut M 8	3	PC	
5	5.044-420.0	Holder	3	PC	
4	7.304-051.0	Hexagonal head screw M 8x16 -8.8-P2R EN 1665	3	PC	
1	6.303-258.0	Self-tapping screw	3	PC	