

Spare parts list

(2.640-151.0) Inno-Foam-Set

Table of contents

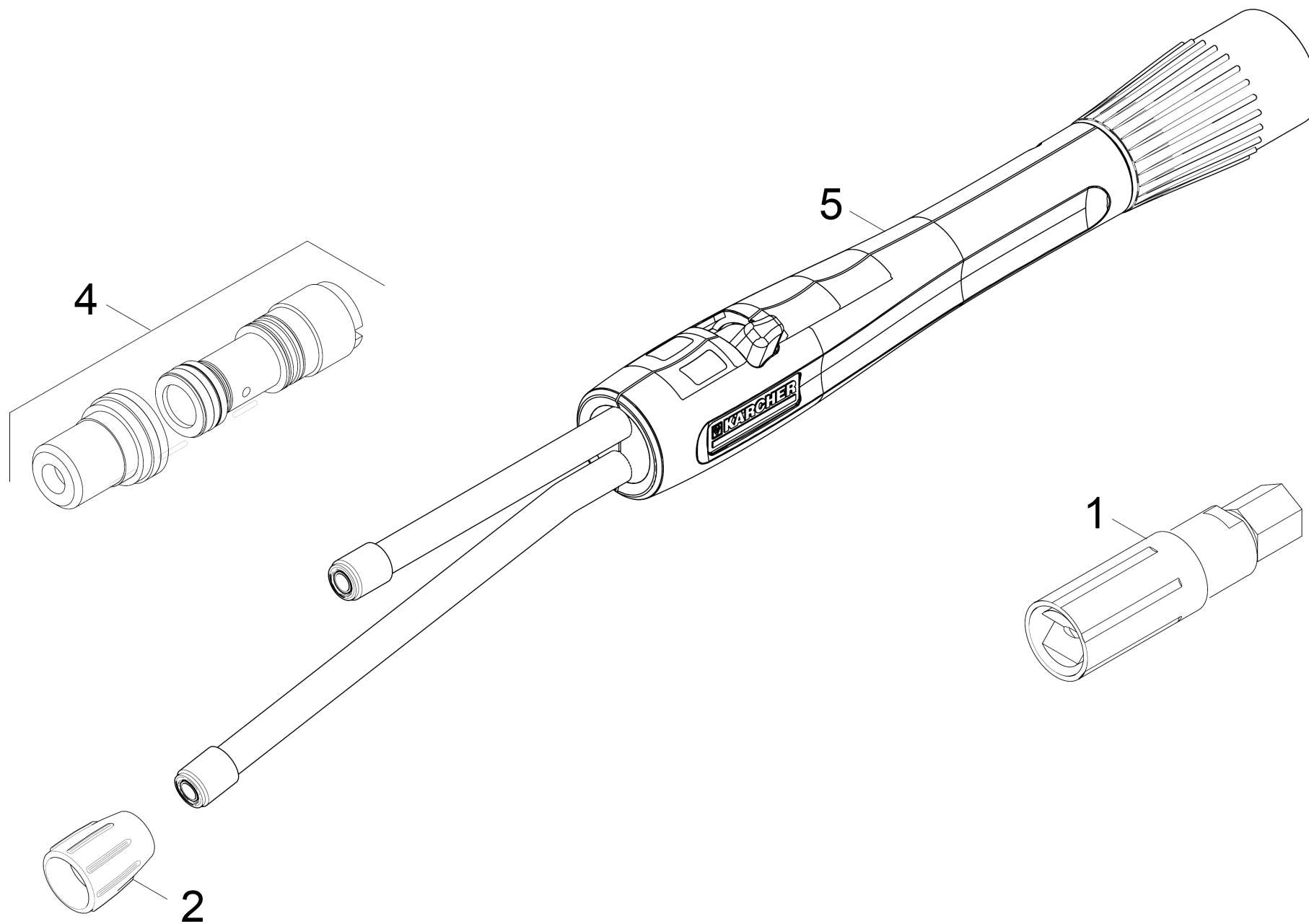
Inno-Foam-Set (2.640-151.0)	3
Spare parts list set Inno + Easy Foam (5.960-186.0)	4
10 Foam nozzle	5
1 Foam nozzle (4.767-072.3)	7
1 Foam nozzle *J (4.767-158.0)	9
4 Nozzle pack 110 (2.640-689.0)	11
5 Jet pipe (4.760-557.3)	13
20 Injector	15

Inno-Foam-Set (2.640-151.0)

POS	Article no.	Description	Quantity	Unit
0	5.960-186.0	Spare parts list set Inno + Easy Foam	1.000	ST
Item text2: 3BB4B62064013D80E1000000C34F56CF26401510				

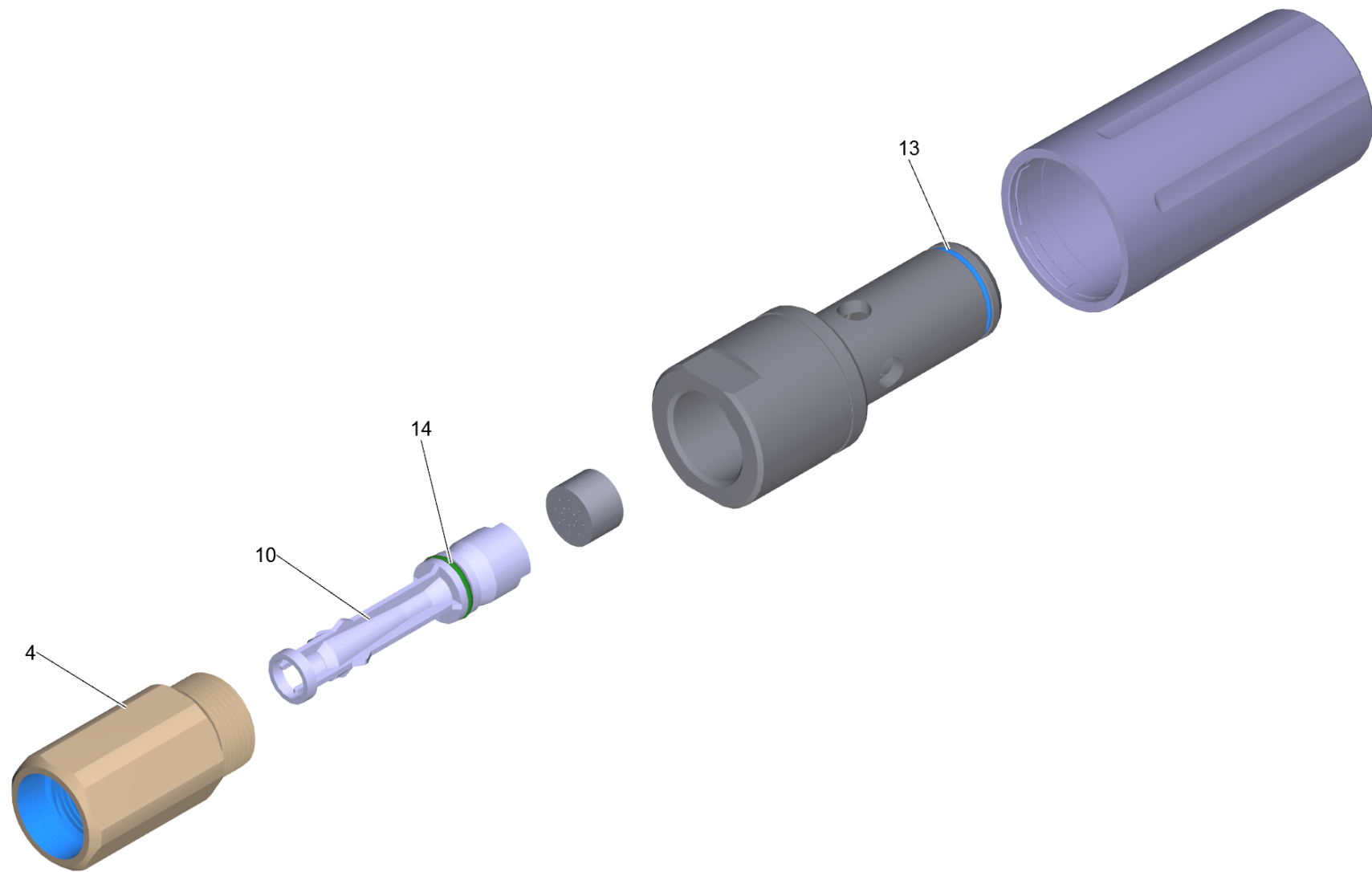
Spare parts list set Inno + Easy Foam (5.960-186.0)

POS	Description	Quantity	Unit
10	Foam nozzle	1.000	ST
20	Injector	1.000	ST



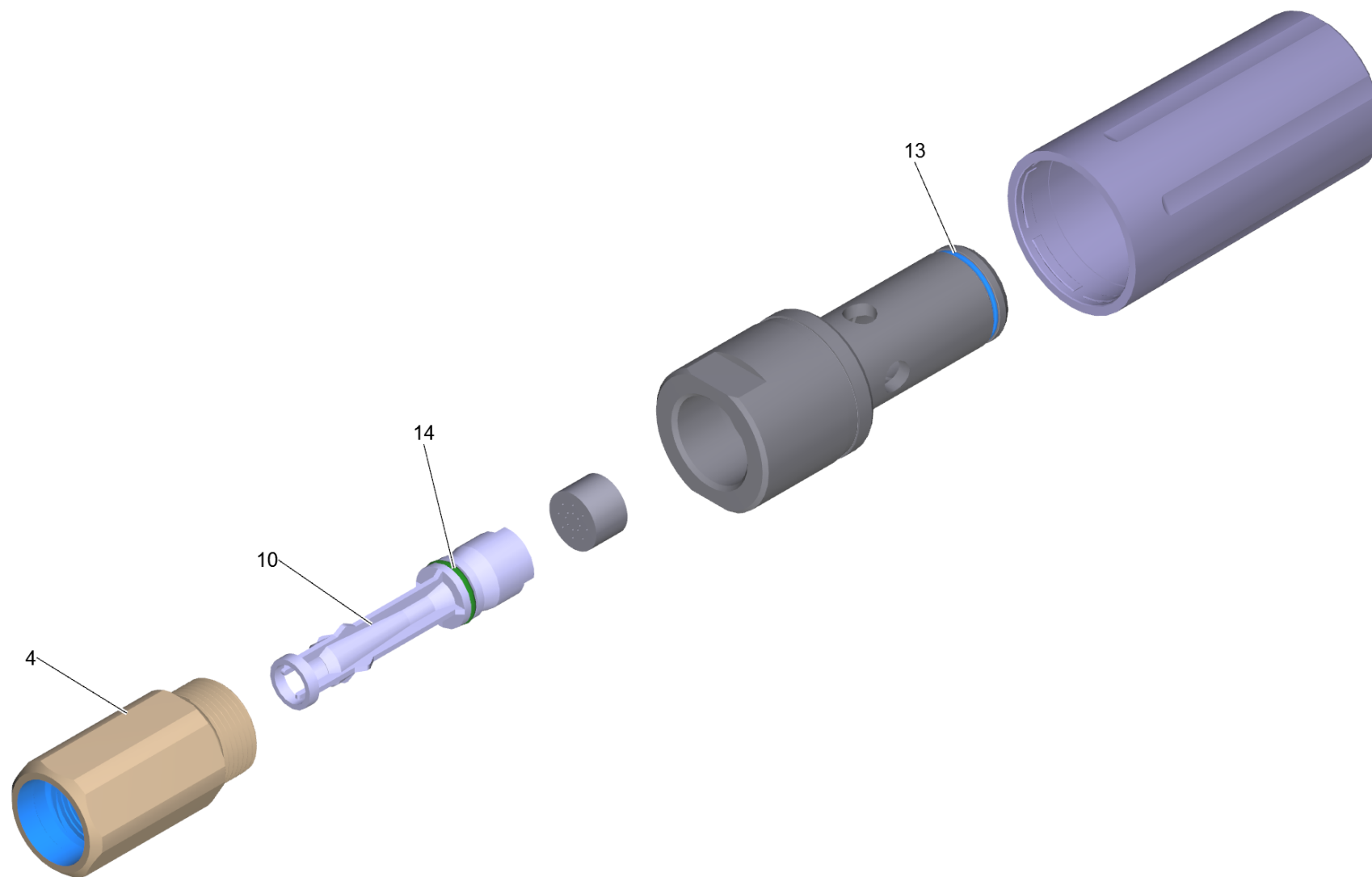
10 Foam nozzle

POS	Article no.	Description	Quantity	Unit
1	4.767-158.0	Foam nozzle *j	1.000	ST
		Item text1: 2.641-762.0 /-764.0 /-765.0 /-766.0		
		Item text2: -767.0 /-768.0		
1	4.767-072.3	Foam nozzle	1.000	ST
		Item text1: 2.640-691.0 /-692.0 /-693.0 /-544.0		
		Item text2: /-564.0		
2	5.401-129.0	Screw connector part	1.000	ST
4	2.640-695.0	Nozzle pack 110	1.000	ST
		Item text1: / 2.640-692.0 / -693.0		
4	2.640-870.0	Nozzle pack 055	1.000	ST
		Item text1: / 2.640-151.0 / -691.0		
4	2.640-902.0	Nozzle pack 070	1.000	ST
		Item text1: / 2.640-151.0		
4	2.640-689.0	Nozzle pack 110	1.000	ST
		Item text1: / 2.640-151.0 / -691.0		
4	2.640-687.0	Nozzle pack	1.000	ST
		Item text1: / 2.640-151.0 / -691.0		
4	2.640-688.0	Nozzle pack 090	1.000	ST
		Item text1: / 2.640-151.0 / -691.0		
		Item text2: /2.641-544.0 / -564.0		
4	2.640-694.0	Nozzle pack 090	1.000	ST
		Item text1: / 2.640-692.0 / -693.0		
5	4.760-557.3	Jet pipe	1.000	ST



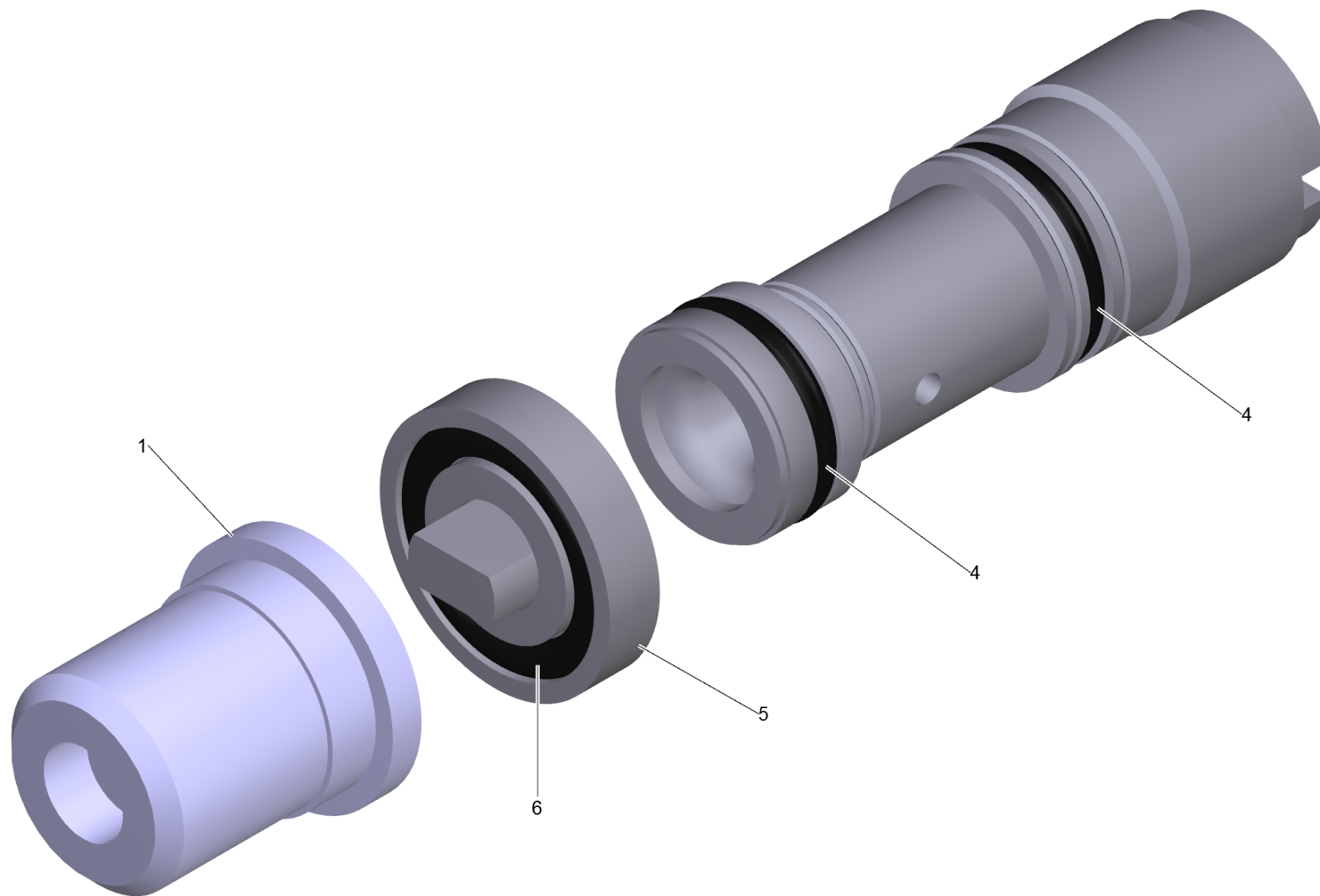
1 Foam nozzle (4.767-072.3)

POS	Article no.	Description	Quantity	Unit
4	5.108-239.0	Turned part	1.000	ST
10	6.415-525.0	Venturi nozzle	1.000	ST
11	6.414-356.0	Wire mesh	1.000	ST
13	6.365-518.0	O-Ring seal 20x1,5 EPDM	1.000	ST
14	6.365-000.0	O-Ring seal 12,0 x 2,0 EPDM	1.000	ST



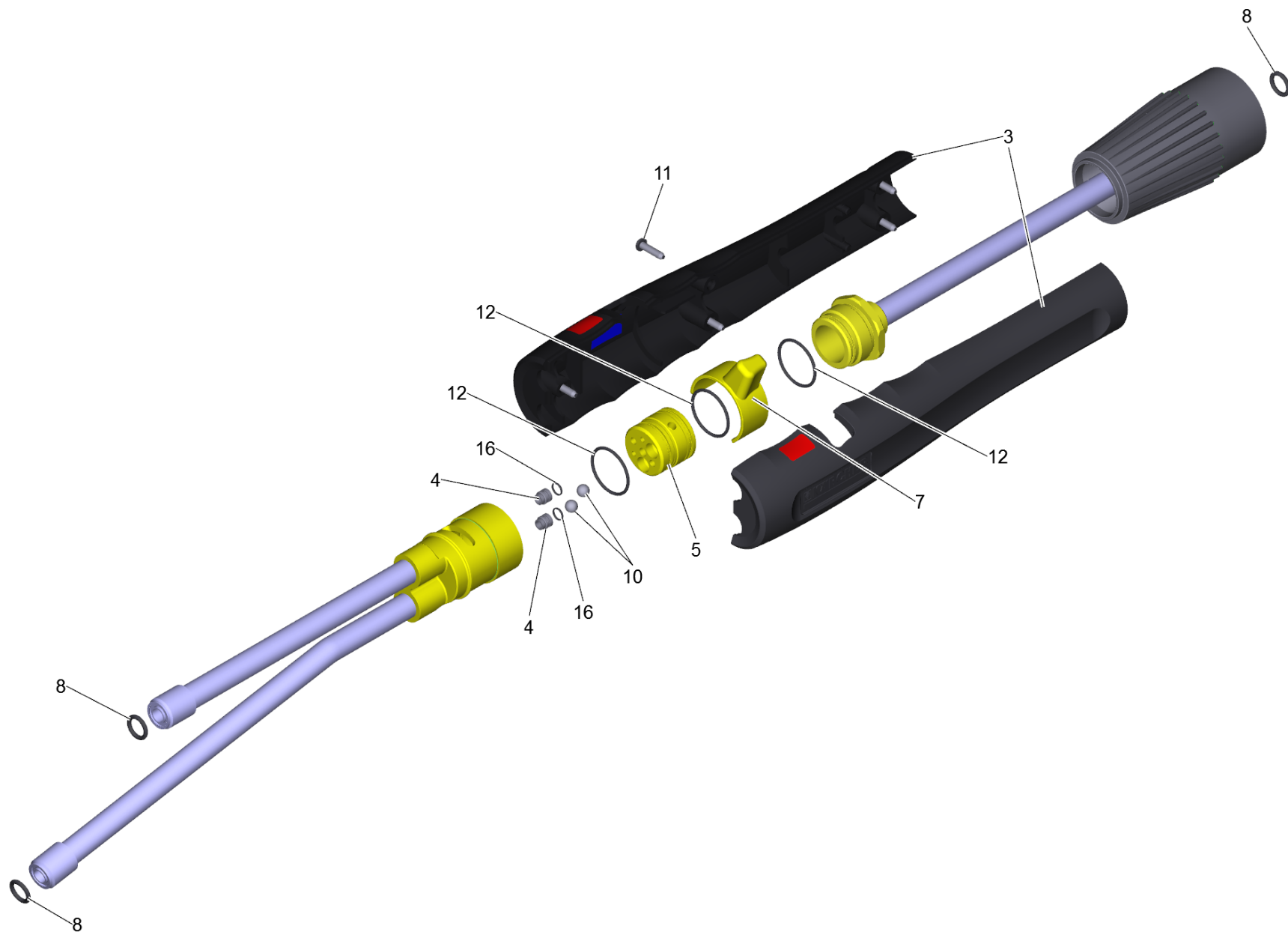
1 Foam nozzle *J (4.767-158.0)

POS	Article no.	Description	Quantity	Unit
4	5.108-239.0	Turned part	1.000	ST
10	6.415-525.0	Venturi nozzle	1.000	ST
11	6.414-356.0	Wire mesh	1.000	ST
13	6.365-518.0	O-Ring seal 20x1,5 EPDM	1.000	ST
14	6.365-000.0	O-Ring seal 12,0 x 2,0 EPDM	1.000	ST



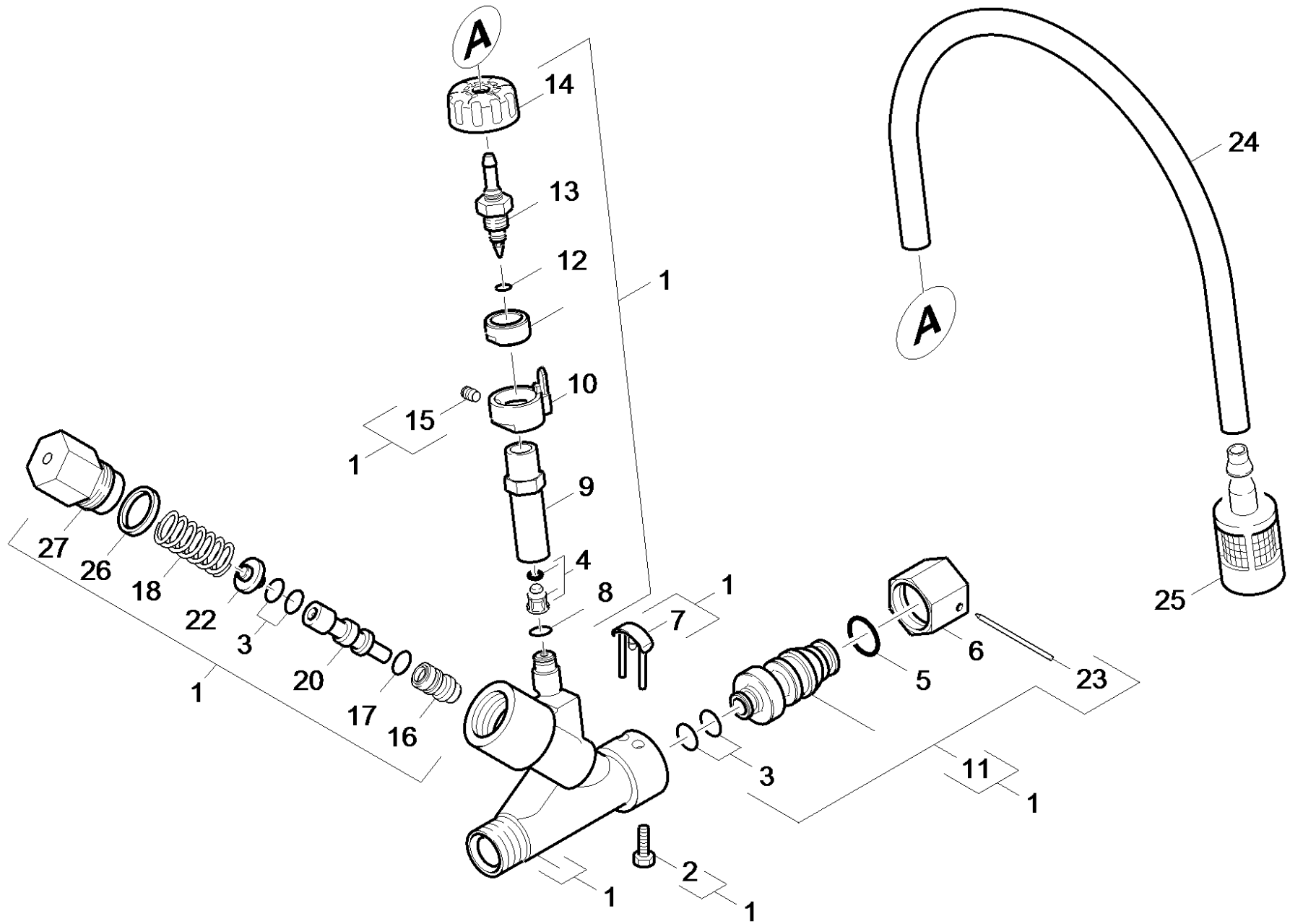
4 Nozzle pack 110 (2.640-689.0)

POS	Article no.	Description	Quantity	Unit
1	5.765-093.0	Power nozzle 0110	1.000	ST
4	6.365-519.0	O-Ring seal 9,0x1,5 EPDM	2.000	ST
5	5.130-304.0	Nozzle moulded part	1.000	ST
6	2.880-154.0	O-Ring kit	1.000	ST



5 Jet pipe (4.760-557.3)

POS	Article no.	Description	Quantity	Unit
3	5.321-683.0	Handhold few	1.000	ST
4	5.424-143.0	Sealing cone	2.000	ST
5	5.108-256.0	Turned part	1.000	ST
7	5.744-019.0	Switch	1.000	ST
8	2.880-154.0	O-Ring kit	1.000	ST
10	6.401-438.0	Sphere D7,5 Niro 440 C	2.000	ST
11	7.303-129.0	Screw 4x16 -10.9-R2R (K-In6Rd)	5.000	ST
12	6.362-645.0	O-Ring seal 25,12X 1,78	3.000	ST
16	6.362-910.0	O-Ring seal 5,0 X 1,0 -EPDM	2.000	ST



20 Injector

POS	Article no.	Description	Quantity	Unit	Foot note text
1	4.060-741.0	Injector complete	1.000	ST	
	Item text1: 2.641-544.0 /-564.0 /				
1	4.060-563.3	Injector complete	1.000	ST	
	Item text1: 2.640-151.0 /-691.0 /-692.0 /693.0/				
2	7.306-206.0	Screw M4x10 -A2-70 ISO 14583	1.000	ST	
	Item text1: 2.640-151.0 /-691.0 /-692.0 /693.0/				
3	6.362-365.0	O-Ring seal complete 1ST.-R.- 7,65X 1,7	2.000	ST	
4	4.584-423.0	Valve pin complete only for replacement	1.000	ST	
5	2.880-154.0	O-Ring kit	1.000	ST	
6	6.386-655.0	Union nut M 22 X 1,5	1.000	ST	
7	4.037-013.0	Hook	1.000	ST	
8	6.362-388.0	O-Ring seal 8,0x1,5 -EPDM 70	1.000	ST	
9	5.061-031.0	Housing	1.000	ST	
10	5.032-634.0	Moulded part	1.000	ST	
11	4.440-823.0	Connection injector	1.000	ST	
12	6.362-930.0	O-Ring seal 5,0 X 1,5	1.000	ST	
13	5.108-257.0	Turned part	1.000	ST	
14	5.321-733.0	Handhold	1.000	ST	
15	7.307-360.0	Threaded pin M 5X 6-A2-21H ISO 4029	1.000	ST	
16	5.581-285.0	Valve seat	1.000	ST	
17	6.363-045.0	O-Ring seal 8X1,25 NBR	1.000	ST	
18	5.332-512.0	Helical spring	1.000	ST	
20	5.553-465.0	Piston	1.000	ST	
22	5.584-134.0	Valve pin	1.000	ST	
24	6.388-216.0	Hose DN 5	1.000	M	TO ORDER AS CUT GOODS
25	5.731-652.0	Filter with weight	1.000	ST	
26	5.116-349.0	Washer 22.5 x 3,5	1.000	ST	
	Item text1: 2.641-544.0 /-564.0 /				
27	5.304-088.0	Hexagonal head screw	1.000	ST	
	Item text1: 2.640-151.0 /-691.0 /-692.0 /693.0/				
27	5.304-082.0	HEXAGON Schraube	1.000	ST	
	Item text1: 2.641-544.0 /-564.0 /				