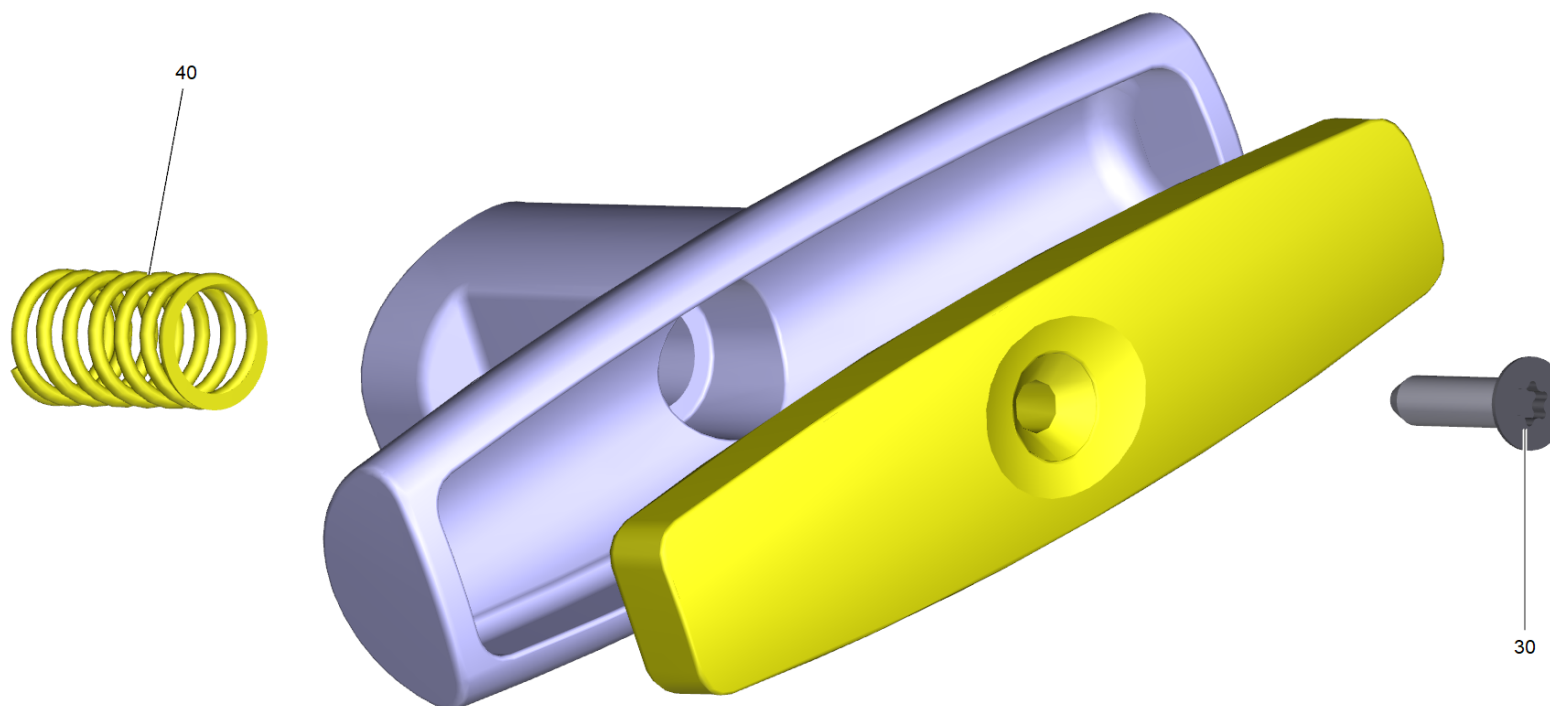


1 Set handhold adjustment (4.035-612.0)

Professional \ Floor cleaner \ Walk behind \ B 40 \ B 40 C Ep 240V \ Spare parts list B 40 C Ep 240V \ Tank \ Covering cap rear \ Set handhold adjustment



1 Set handhold adjustment (4.035-612.0)

Professional \ Floor cleaner \ Walk behind \ B 40 \ B 40 C Ep 240V \ Spare parts list B 40 C Ep 240V \ Tank \ Covering cap rear \ Set handhold adjustment



POS	Article no.	Description	Quantity	Unit
30	7.303-128.0	Countersunk screw 5x20 -10.9-R2R (In6Rd)	1	PC
40	5.332-481.0	Helical spring	1	PC