

## **Spare parts list**

(1.633-100.0) WV 50 \*EU

## Table of contents

---

|   |    |
|---|----|
| WV 50 *EU (1.633-100.0)                               | 3  |
| Spare parts list WV 50 (5.970-679.0)                  | 4  |
| 10 Top part   | 5  |
| 5 Suction nozzle complete black neutral (4.633-043.0) | 7  |
| 8 Suction nozzle complete Small (2.633-002.0)         | 9  |
| 8 Suction nozzle complete Small (2.633-002.0)         | 11 |
| 20 Housing  | 13 |
| 1 Tank complete (4.633-031.0)                         | 15 |
| 30 Accessories  | 16 |
| 1 Spray bottle set Premium accessories (2.633-129.0)  | 18 |

WV 50 \*EU (1.633-100.0)

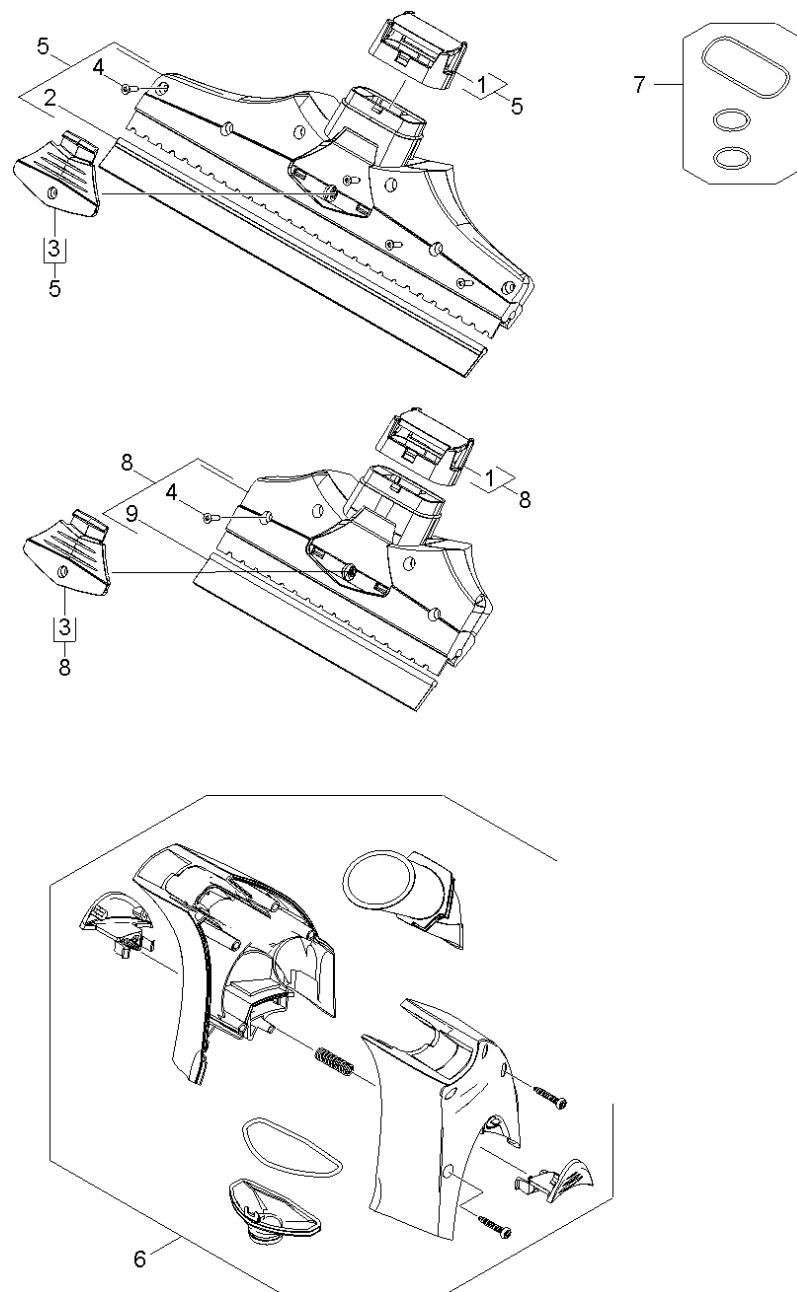
---

| POS | Article no. | Description            | Quantity | Unit |
|-----|-------------|------------------------|----------|------|
| 0   | 5.970-679.0 | Spare parts list WV 50 | 1        | PC   |

Spare parts list WV 50 (5.970-679.0)

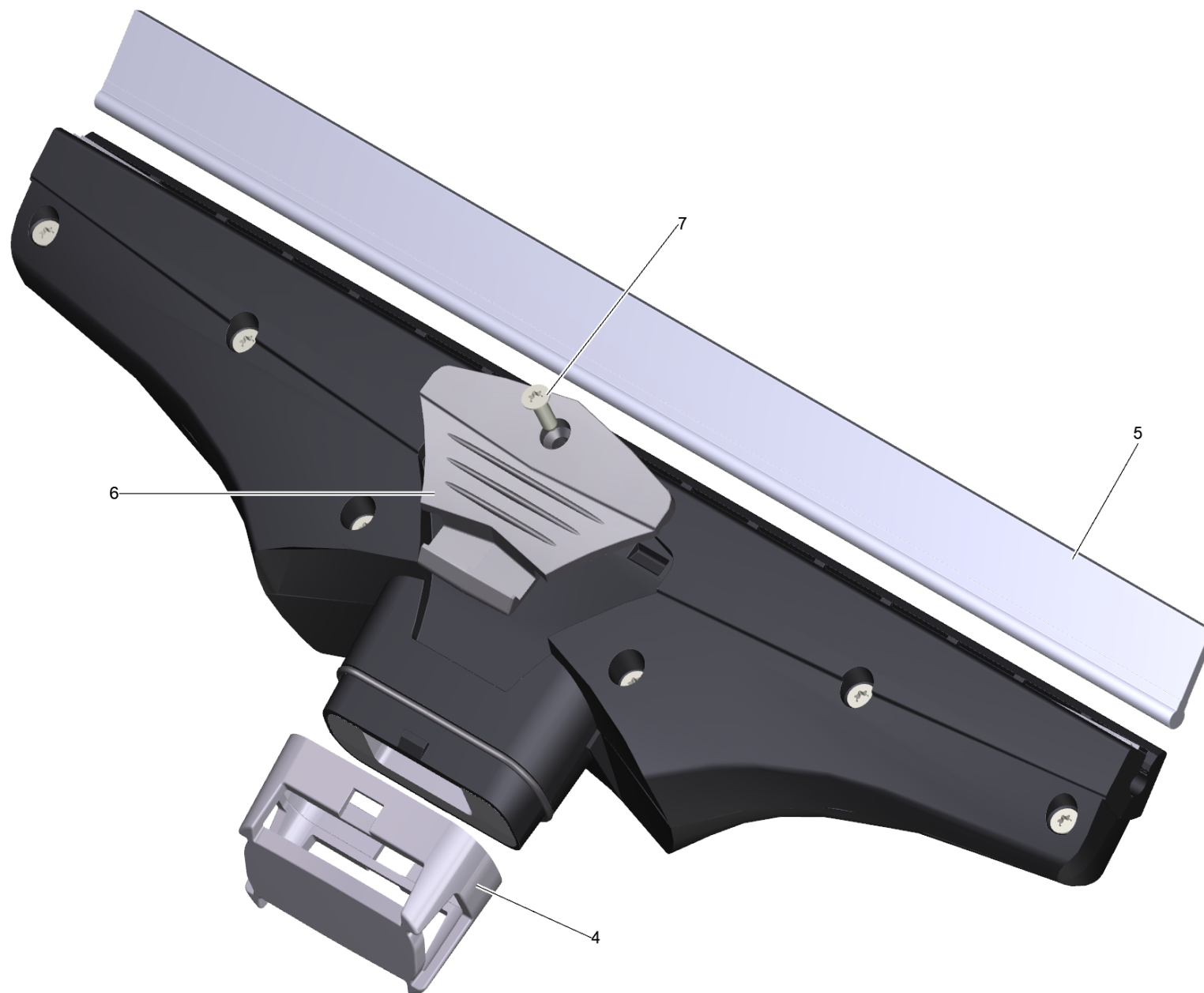
---

| <b>POS</b> | <b>Description</b> | <b>Quantity</b> | <b>Unit</b> |
|------------|--------------------|-----------------|-------------|
| 30         | Accessories        | 1               | PC          |
| 20         | Housing            | 1               | PC          |
| 10         | Top part           | 1               | PC          |



## 10 Top part

| POS | Article no.   | Description                              | Quantity | Unit | Foot note text |
|-----|---|--|----------|------|----------------|
| 1   | 5.633-011.0   | Baffle plate                             | 1        | PC   |                |
| 4   | 7.303-119.0   | Countersunk screw 3x10 -10.9-R2R (In6Rd) | 7        | PC   |                |
| 6   |   | Electronics complete *KNA                | 1        | PC   |                |
|     | <b>Item text1:</b> 1.633-100.0 / -101.0 / -105.0 / -106.0 / -107.0 / -108.0 / -109.0 / -110.0 / -111.0 / -113.0 / -114.0 / -117.0 / -122.0 / -123.0 / -132.0 / -133.0 / -162.0 / -250.0 / -251.0 / -135.0 / -169.0 / -170.0 / -136.0 / -172.0 / -174.0 / -175 |  |          |      |                |
| 9   | 2.633-104.0   | Pull-off lip WV 50 (170mm)               | 1        | PC   |                |
| 2   | 2.633-005.0   | Pull-off lip WV 50 (280mm)               | 1        | PC   |                |
| 3   | 5.633-028.0   | Pusher suction nozzle                    | 1        | PC   |                |
| 7   | 6.633-530.0   | Set of gaskets f.Ersatz                  | 1        | PC   |                |
| 6   | 7.777-999.0   | Stockpiling discontinued                 | 1        | PC   | WHITE          |
|     | <b>Item text1:</b> 1.633-112.0 / -115.0 / -118.0 / -119.0   |  |          |      |                |
|     | <b>Item text2:</b> / -124.0 / -161.0 / -164.0 / -171.0  |  |          |      |                |
| 5   | 4.633-043.0   | Suction nozzle complete black neutral    | 1        | PC   |                |
|     | <b>Item text1:</b> 1.633-174.0 / 175.0  |  |          |      |                |
| 5   | 4.633-051.0   | Suction nozzle complete grey WV75        | 1        | PC   |                |
|     | <b>Item text1:</b> 1.633-115.0 / -118.0 / -124.0 / -161.0   |  |          |      |                |
|     | <b>Item text2:</b> / -164.0   |  |          |      |                |
| 8   | 2.633-002.0   | Suction nozzle complete Small            | 1        | PC   |                |
| 8   | 2.633-002.0   | Suction nozzle complete Small            | 1        | PC   |                |
|     | <b>Item text1:</b> 1.633-115.0 / -118.0 / -124.0 / -161.0   |  |          |      |                |
|     | <b>Item text2:</b> / -164.0   |  |          |      |                |

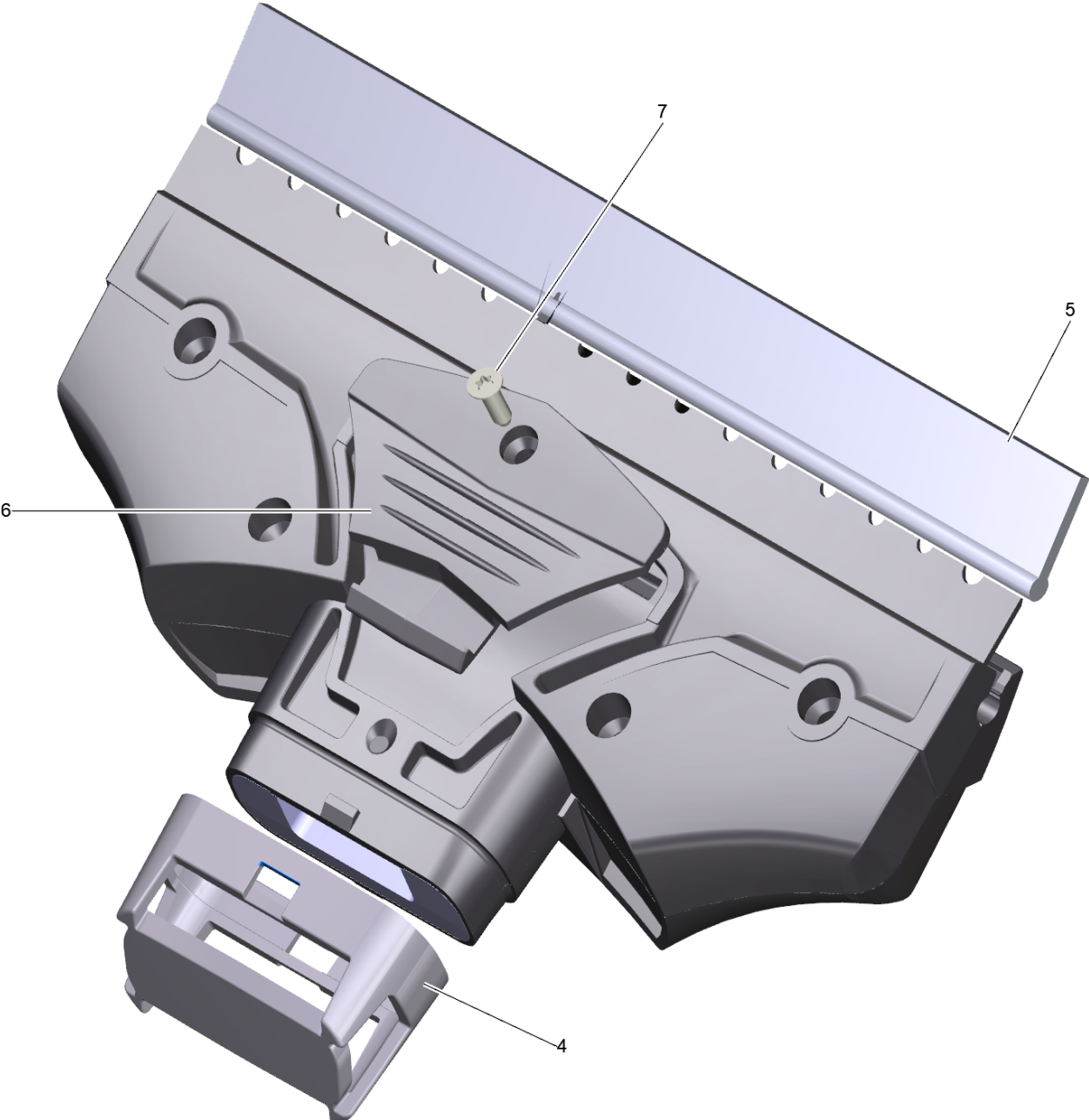


5 Suction nozzle complete black neutral (4.633-043.0)

---

| <b>POS</b> | <b>Article no.</b> | <b>Description</b>                       | <b>Quantity</b> | <b>Unit</b> |
|------------|--------------------|--|-----------------|-------------|
| 4          | 5.633-011.0        | Baffle plate                             | 1               | PC          |
| 7          | 7.303-119.0        | Countersunk screw 3x10 -10.9-R2R (In6Rd) | 7               | PC          |
| 5          | 2.633-005.0        | Pull-off lip WV 50 (280mm)               | 1               | PC          |
| 6          | 5.633-028.0        | Pusher suction nozzle                    | 1               | PC          |

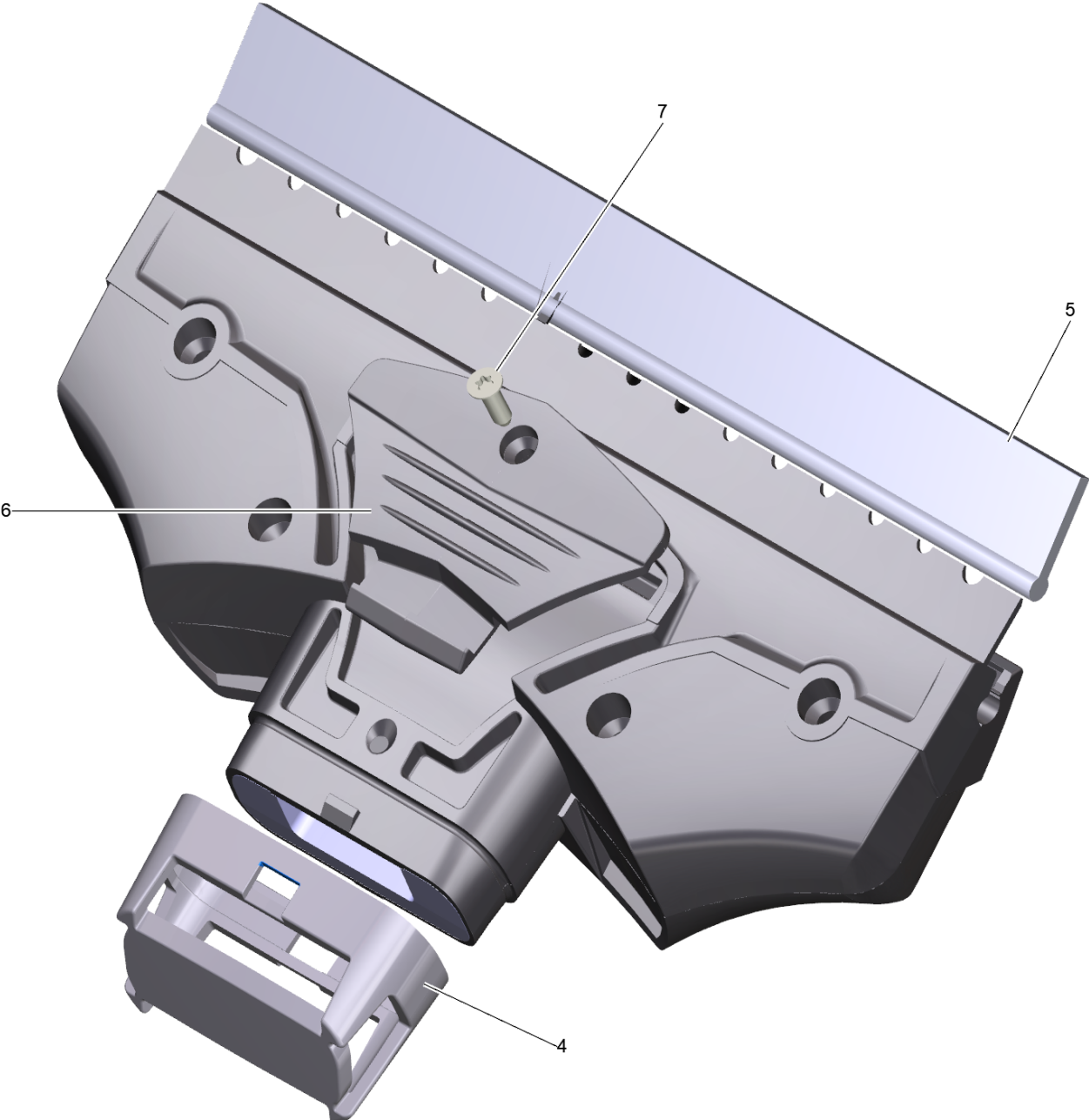




8 Suction nozzle complete Small (2.633-002.0)

---

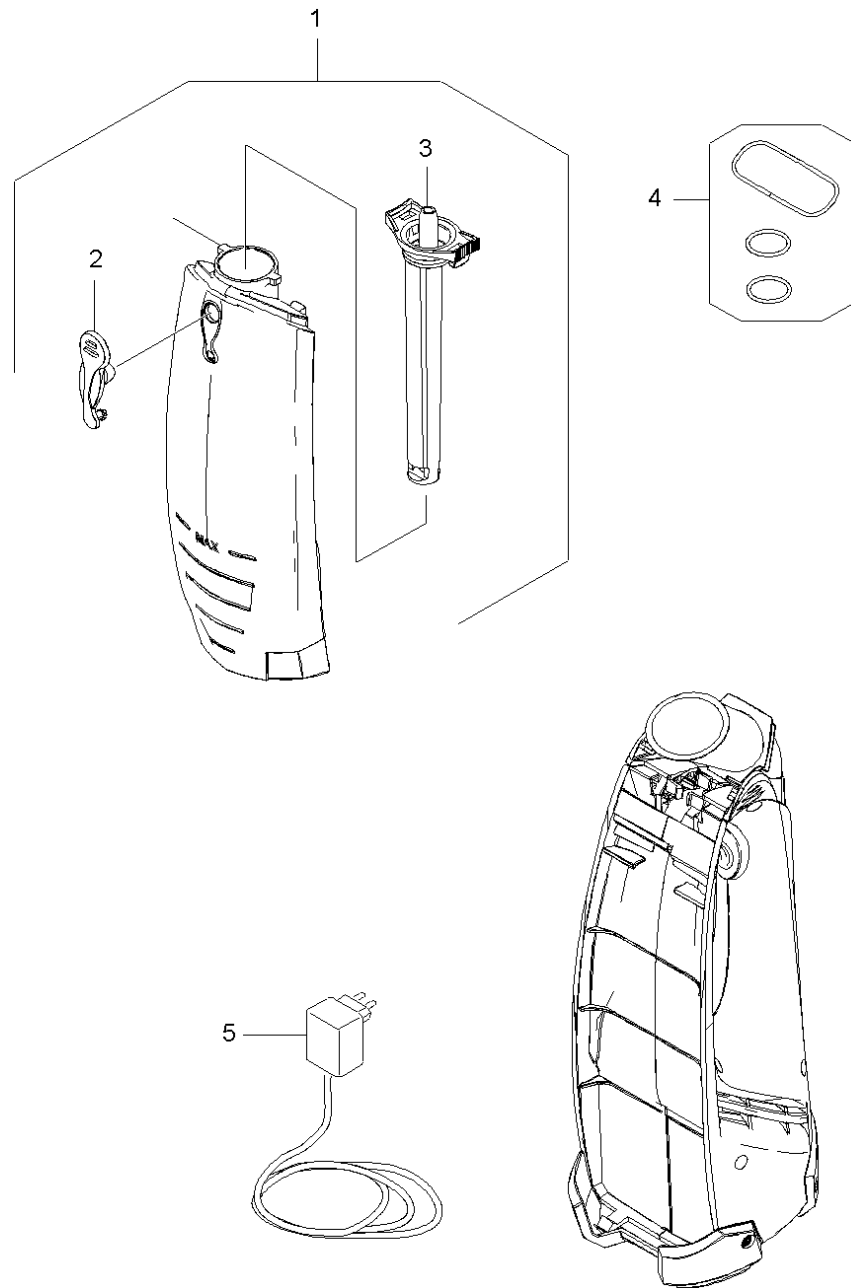
| <b>POS</b> | <b>Article no.</b> | <b>Description</b>                       | <b>Quantity</b> | <b>Unit</b> |
|------------|--------------------|--|-----------------|-------------|
| 4          | 5.633-011.0        | Baffle plate                             | 1               | PC          |
| 7          | 7.303-119.0        | Countersunk screw 3x10 -10.9-R2R (In6Rd) | 5               | PC          |
| 5          | 2.633-104.0        | Pull-off lip WV 50 (170mm)               | 1               | PC          |
| 6          | 5.633-028.0        | Pusher suction nozzle                    | 1               | PC          |



8 Suction nozzle complete Small (2.633-002.0)

---

| POS | Article no. | Description                              | Quantity | Unit |
|-----|-------------|--|----------|------|
| 4   | 5.633-011.0 | Baffle plate                             | 1        | PC   |
| 7   | 7.303-119.0 | Countersunk screw 3x10 -10.9-R2R (In6Rd) | 5        | PC   |
| 5   | 2.633-104.0 | Pull-off lip WV 50 (170mm)               | 1        | PC   |
| 6   | 5.633-028.0 | Pusher suction nozzle                    | 1        | PC   |



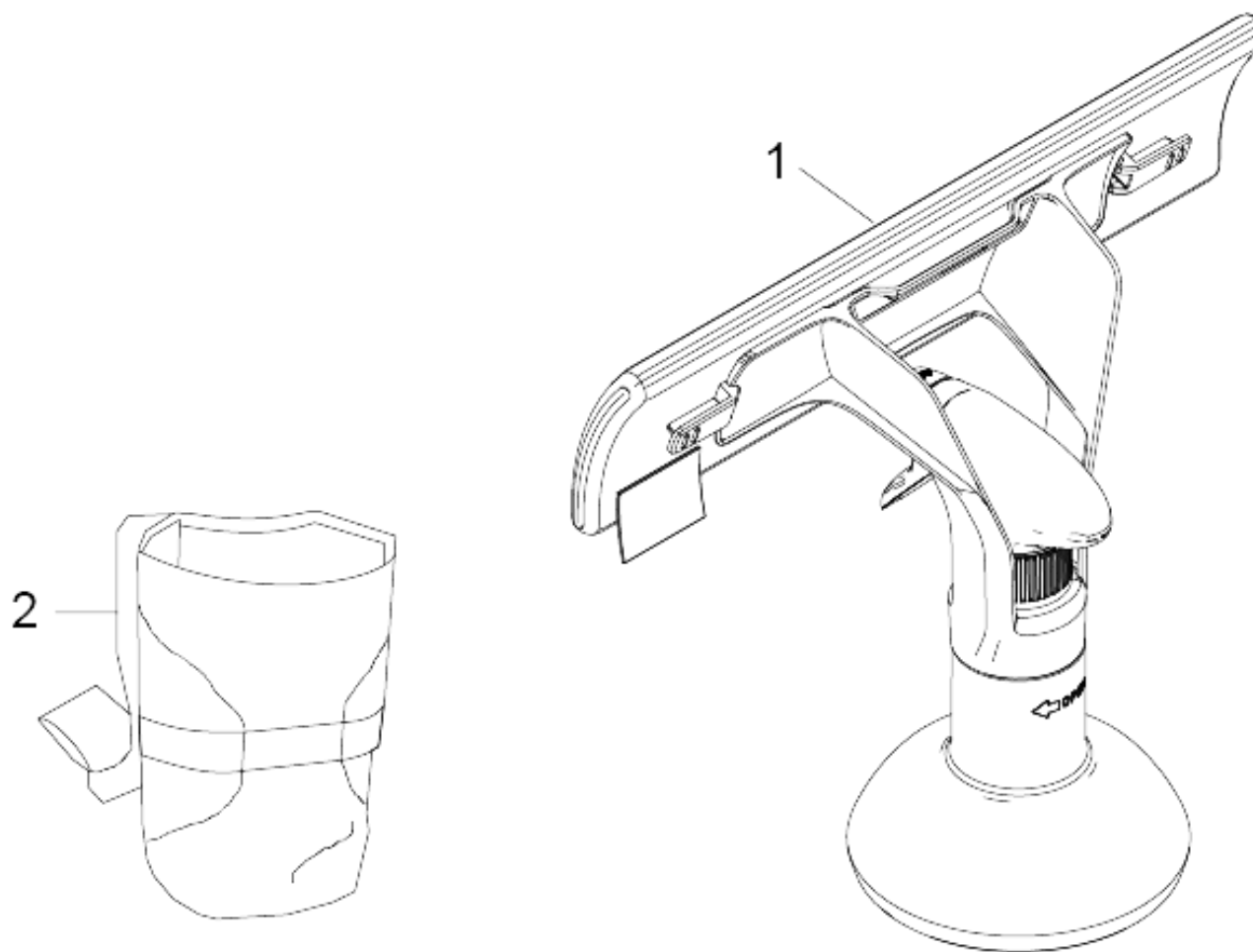
## 20 Housing

| POS | Article no.                                       | Description                              | Quantity | Unit | Remark       |
|-----|---|--|----------|------|--------------|
| 2   | 5.633-012.0                                       | Closure                                  | 1        | PC   |              |
| 5   | 6.654-372.0                                       | Power supply PS01 Phihong *CN            | 1        | PC   | *CN          |
| 5   | 6.654-373.0                                       | Power supply PS01 Phihong *KR            | 1        | PC   | *KR          |
| 5   | 6.654-353.0                                       | Power supply PS01 Phihong *MX/ JP/ TW/ K | 1        | PC   | *KNA/*MX/*JP |
|     | <b>Item text1:</b> 1.633-109.0 / - 132.0 / -133.0 |  |          |      |              |
| 4   | 6.633-530.0                                       | Set of gaskets f.Ersatz                  | 1        | PC   |              |
| 1   | 4.633-031.0                                       | Tank complete                            | 1        | PC   |              |
| 3   | 5.633-013.0                                       | Vstup vody                               | 1        | PC   |              |
| 5   | 2.633-136.0                                       | WV & KV battery charger *AU              | 1        | PC   | *AU          |
| 5   | 2.633-107.0                                       | WV & KV battery charger *EU              | 1        | PC   | *EU / *RU    |
| 5   | 2.633-115.0                                       | WV & KV battery charger *GB              | 1        | PC   | *GB          |

1 Tank complete (4.633-031.0)

---

| POS | Article no. | Description          | Quantity | Unit |
|-----|-------------|----------------------|----------|------|
| 3   | 5.633-012.0 | Closure              | 1        | PC   |
| 4   | 6.363-622.0 | O-Ring seal 18,1x1,6 | 1        | PC   |
| 2   | 5.633-013.0 | Vstup vody           | 1        | PC   |

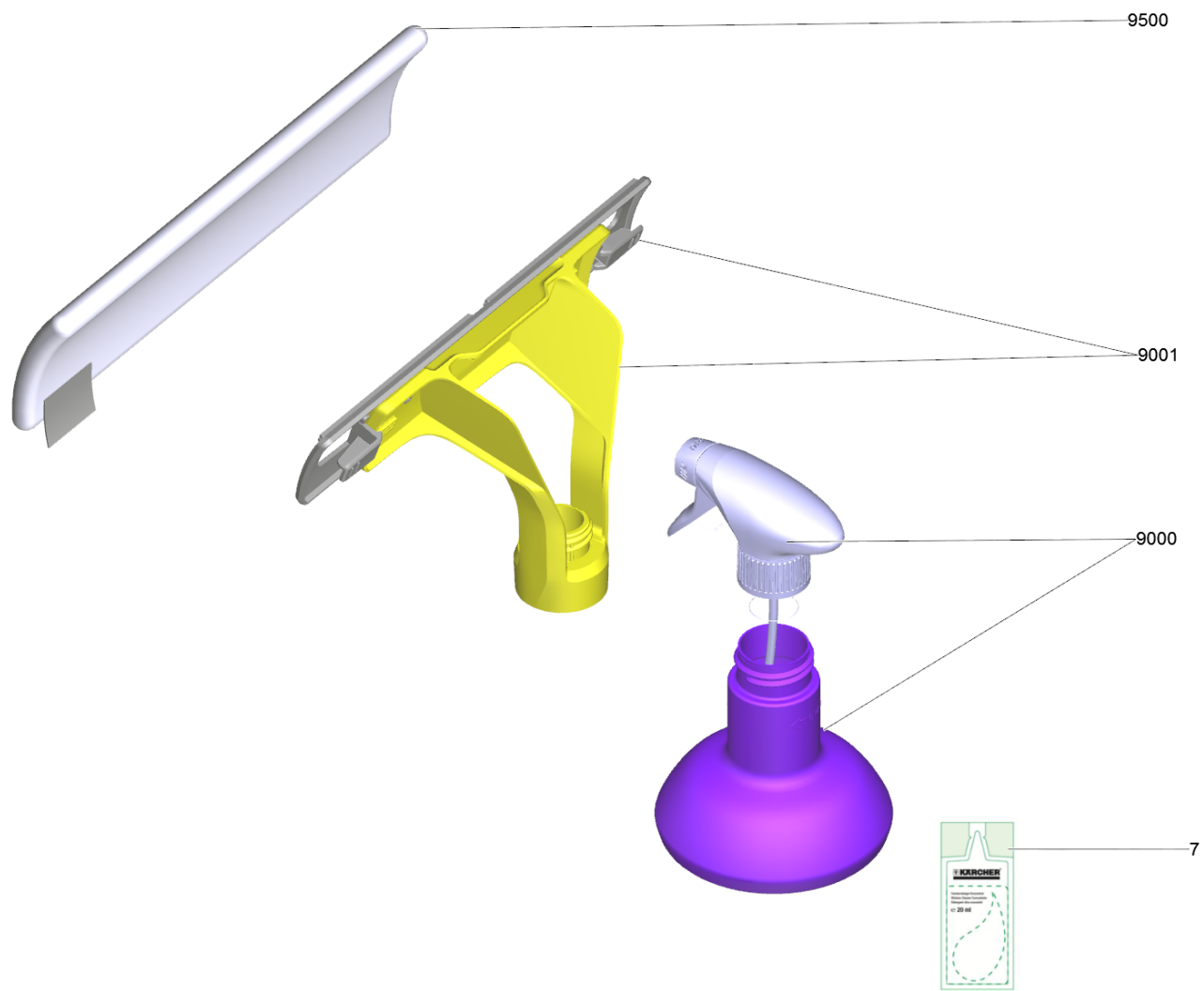




## 30 Accessories

---

| <b>POS</b> | <b>Article no.</b> | <b>Description</b>                   | <b>Quantity</b> | <b>Unit</b> |
|------------|--------------------|--------------------------------------|-----------------|-------------|
| 1          | 2.633-129.0        | Spray bottle set Premium accessories | 1               | PC          |
| 2          | 2.633-006.0        | Waist bag WV                         | 1               | PC          |



## 1 Spray bottle set Premium accessories (2.633-129.0)

---

| POS  | Article no. | Description                                     | Quantity | Unit | Foot note text                     |
|------|-------------|---|----------|------|------------------------------------|
| 9001 | 4.633-128.0 | Pad holder complete premium                     | 1        | PC   |                                    |
| 7    | 6.295-302.0 | RM 503 4x20ml window cleaning agent concentrate | 1        | PC   |                                    |
| 9000 | 4.633-127.0 | Spray bottle round replacement                  | 1        | PC   | use only together with 4.633-128.0 |
| 9500 | 2.633-130.0 | WV microfibre wiper cover Indoor                | 1        | PC   |                                    |
| 9500 | 2.633-131.0 | WV microfibre wiper cover Outdoor               | 1        | PC   |                                    |