

Spare parts list

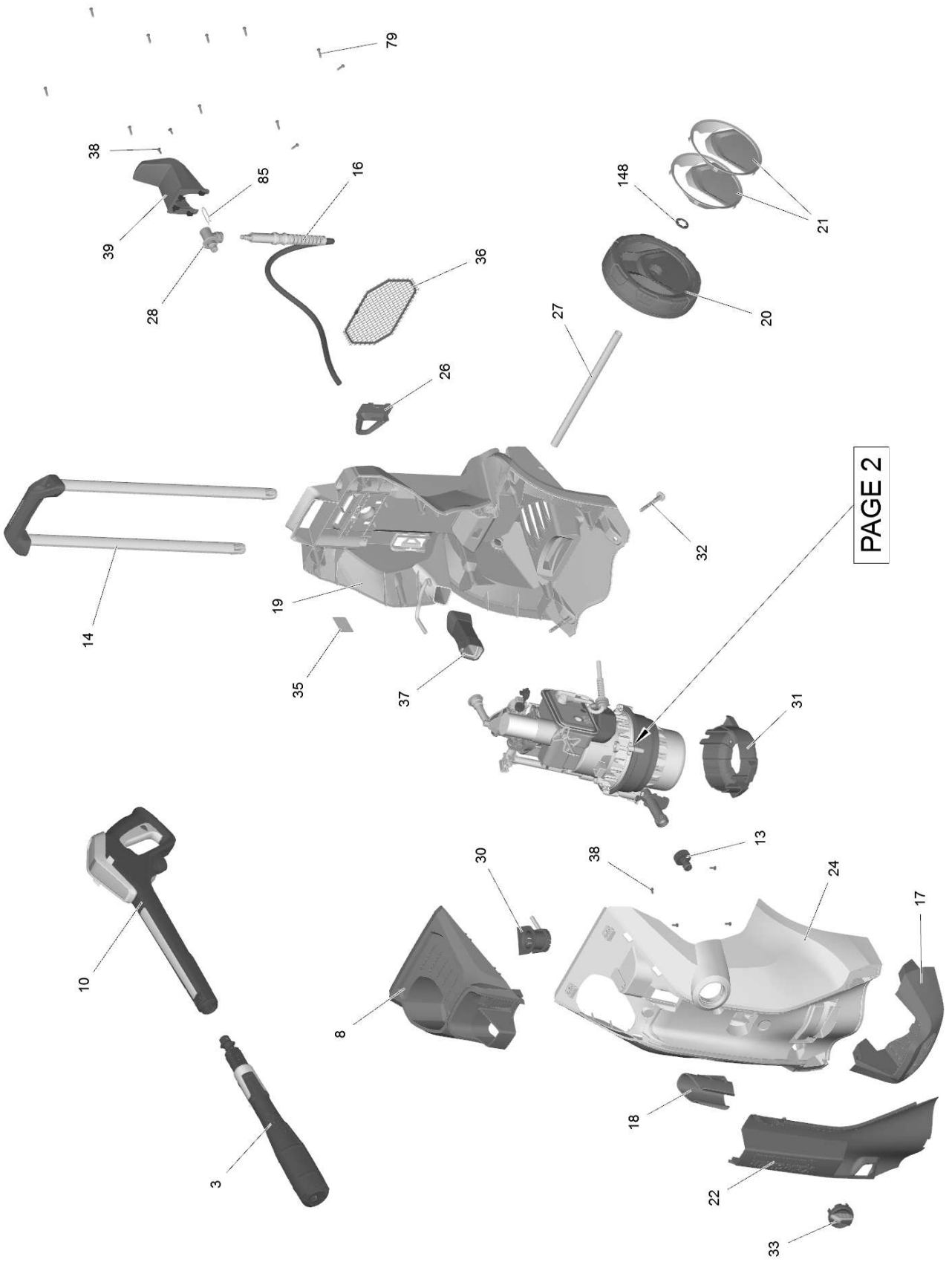
(1.317-030.0) K 7 FULL CONTROL PLUS *EU

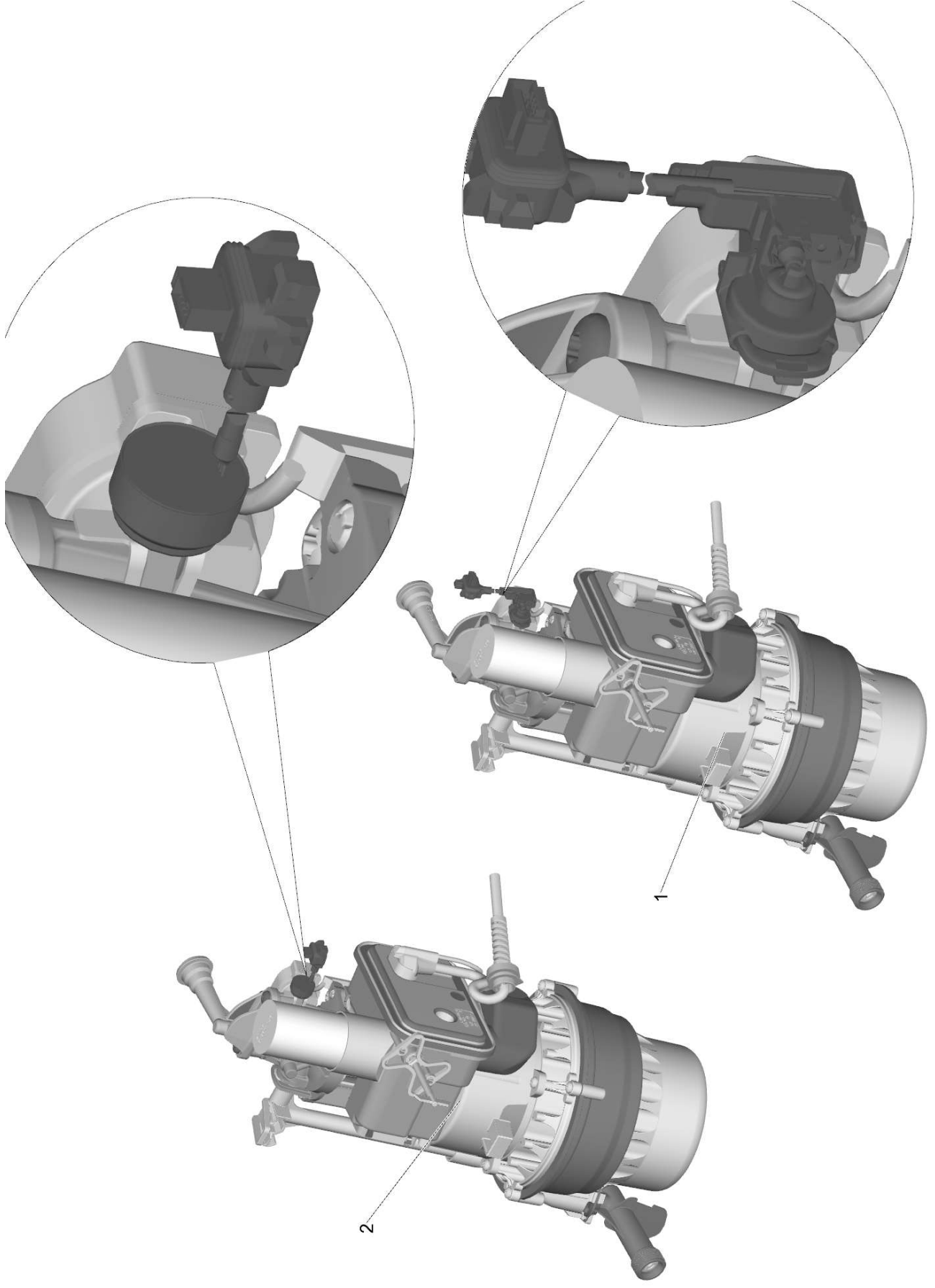
Table of contents

K 7 FULL CONTROL PLUS *EU (1.317-030.0)	3
1000 Spare parts list K7 FC 2017 (5.973-889.0)	4
1 Pump set complete K7 FC *EU 2017 (DS)	7
50 Motor complete replacement K7 (4.624-311.0)	9
51 Pump head complete K7 FC *EU	11
101 Piston guidance complete	13
102 Cylinder head alluminio completo (c/imballo) (9.002-525.0)	15
104 Valve pin complete (4.584-022.0)	16
9000 Spare parts set excess-current (2.885-186.0)	18
103 Control piston complete replacement (2.885-408.0)	20
9001 Nozzle insert only for replacement (4.769-034.0)	22
53 Electric box for replacement *EU (4.800-010.3)	24
2 Pump set complete K7 *EU 2017	26
50 Motor complete replacement K7 (4.624-311.0)	28
51 Pump head complete K7 2017	30
101 Piston guidance complete	32
102 Cylinder head alluminio completo (c/imballo) (9.002-525.0)	34
104 Valve pin complete (4.584-022.0)	35
9000 Spare parts set excess-current (2.885-186.0)	37
103 Control piston complete replacement (2.885-408.0)	39
9001 Nozzle insert only for replacement (4.769-034.0)	41
53 Electric box complete (4.800-004.3)	43
3 MJ 180 3-in-1 Multi Jet Full Control (2.643-907.0)	45
9500 O-Ring seal set (2.640-729.0)	47
10 G 180 Q Full Control *EU (4.775-111.3)	48
14 Handhold complete	50
16 High pressure hose 18MPa/10 60°C QC B (6.396-492.0)	52
1 O-Ring seal set (2.640-729.0)	54
28 Angle cleat high pressure hose only for replacement (4.775-845.3)	55

K 7 FULL CONTROL PLUS *EU (1.317-030.0)

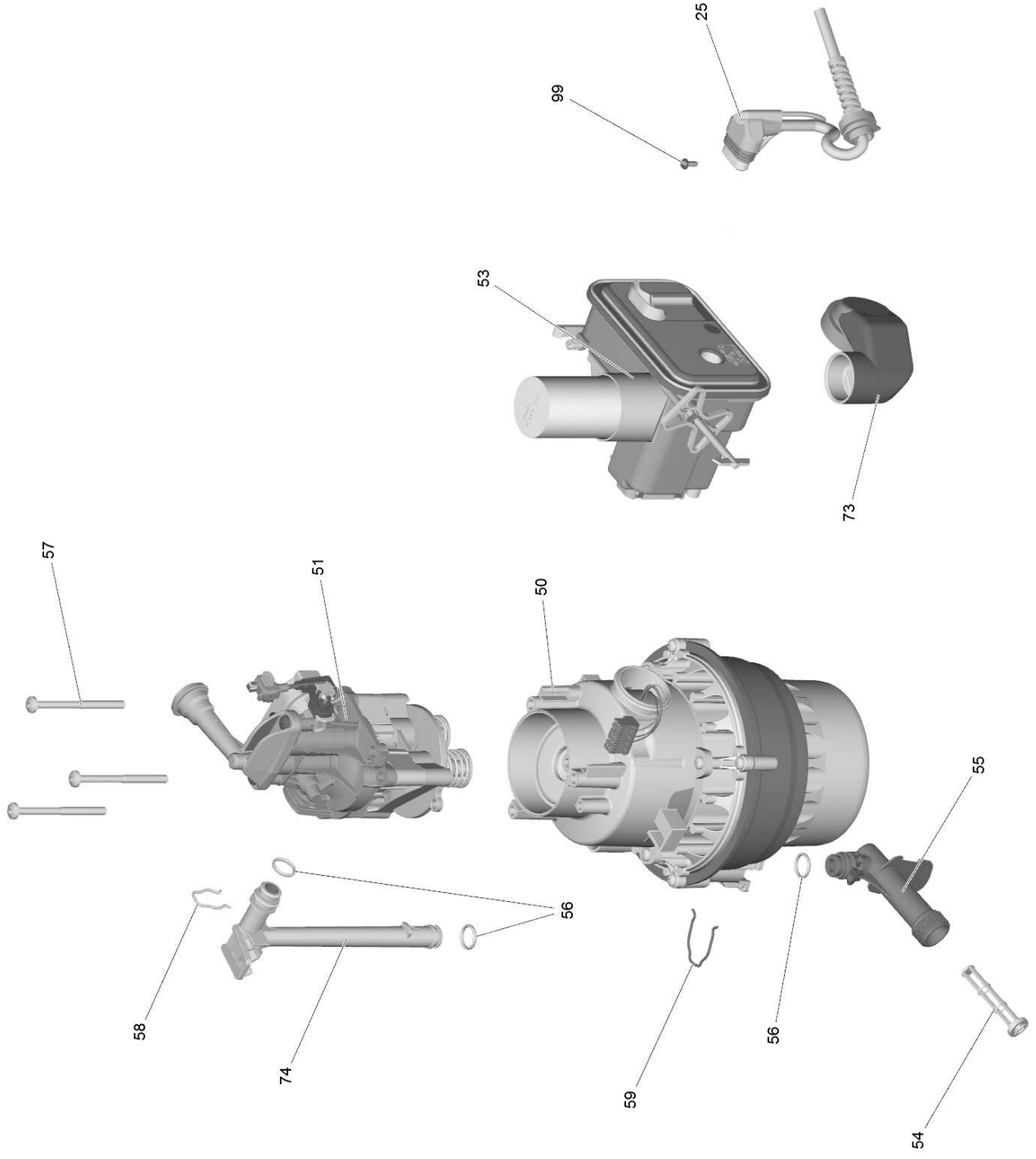
POS	Article no.	Description	Quantity	Unit
1000	5.973-889.0	Spare parts list K7 FC 2017	1	PC





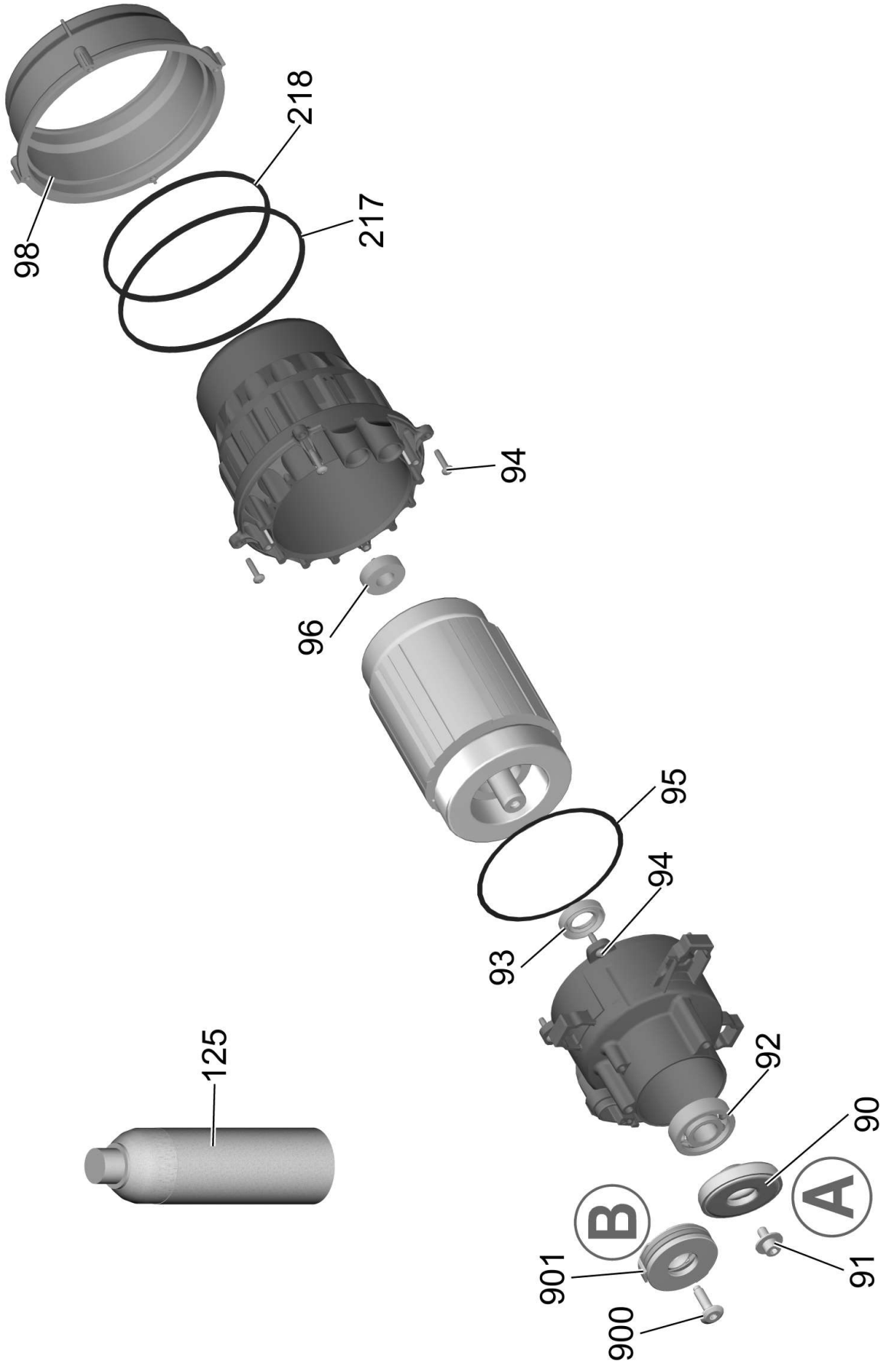
1000 Spare parts list K7 FC 2017 (5.973-889.0)

POS	Article no.	Description	Quantity	Unit	Foot note text
1		Pump set complete K7 FC *EU 2017 (DS)	1	PC	VERSION 2
2		Pump set complete K7 *EU 2017	1	PC	VERSION 1
14		Handhold complete	1	PC	
3	2.643-907.0	Mj 180 3-in-1 Multi Jet Full Control	1	PC	
21	2.885-473.0	Spare parts set screen wheel	1	PC	
10	4.775-111.3	G 180 Q Full Control *EU	1	PC	VERSION 1
		Item text1: to Pump set Pos.2 // zu Pumpensatz Pos.2			
28	4.775-845.3	Angle cleat high pressure hose only for replacement	1	PC	
19	5.044-331.3	Chassis rear	1	PC	
8	5.044-342.0	Covering cap above	1	PC	
17	5.044-343.0	Stand foot	1	PC	
18	5.044-486.0	Holder accessories	1	PC	
24	5.052-006.3	Cover K7 FC	1	PC	
22	5.052-007.3	Screen front	1	PC	
39	5.056-309.0	Hook hose	1	PC	
85	5.059-401.0	Clamp	1	PC	
27	5.105-361.0	Axle L=310	1	PC	
32	5.317-896.0	Bolt stand foot	2	PC	
31	5.322-164.0	Holder pump set	1	PC	
37	5.322-167.0	Hose guide	1	PC	
26	5.332-026.0	Hose guide external	1	PC	
35	5.387-620.0	Warning sign new	1	PC	
20	5.515-071.0	Wheel D200	2	PC	
79	6.303-150.0	Screw 4,2x 22	11	PC	
148	6.343-168.0	Lock washer	2	PC	
16	6.396-492.0	High pressure hose 18MPa/10 60°C QC B	1	PC	
13	6.465-031.0	Connection cpl. 3/4	1	PC	
38	7.303-106.0	Screw 4x12-10.9-R2R (In6Rd)	6	PC	
30	9.013-417.0	RM retainer station compl. FC	1	PC	
36	9.038-490.3	Grid accessories	1	PC	
33	9.048-123.0	2K KNOB black	1	PC	



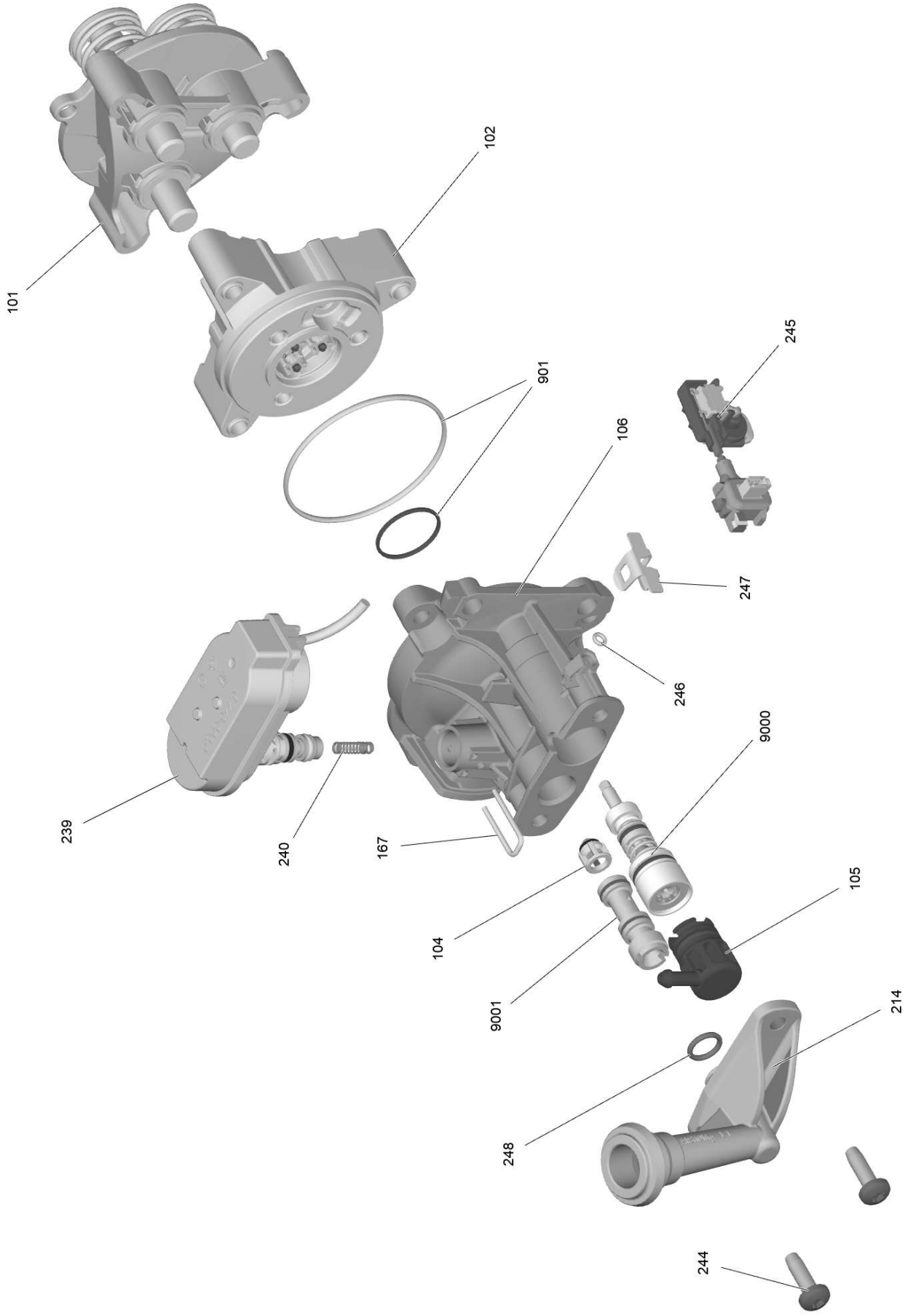
1 Pump set complete K7 FC *EU 2017 (DS)

POS	Article no.	Description	Quantity	Unit
51		Pump head complete K7 FC *EU	1	PC
50	4.624-311.0	Motor complete replacement K7	1	PC
53	4.800-010.3	Electric box for replacement *EU	1	PC
59	5.048-065.0	Clamp pipe intake	1	PC
58	5.048-915.0	Clamp	1	PC
73	5.363-827.0	Connection electric box A-bearing plate	1	PC
55	5.443-015.0	Tube intake	1	PC
54	5.731-011.0	Fine filter	1	PC
57	6.303-042.0	Screw M6x80	3	PC
56	6.363-610.0	O-Ring seal 13 x 3 -NBR	3	PC
25	6.650-486.3	Cable with plug *EU	1	PC
99	7.303-031.0	Screw M4x10 -St-P2R (In6Rd)	1	PC
74	9.013-726.3	Tube complete Ruecklauf WCM K7	1	PC



50 Motor complete replacement K7 (4.624-311.0)

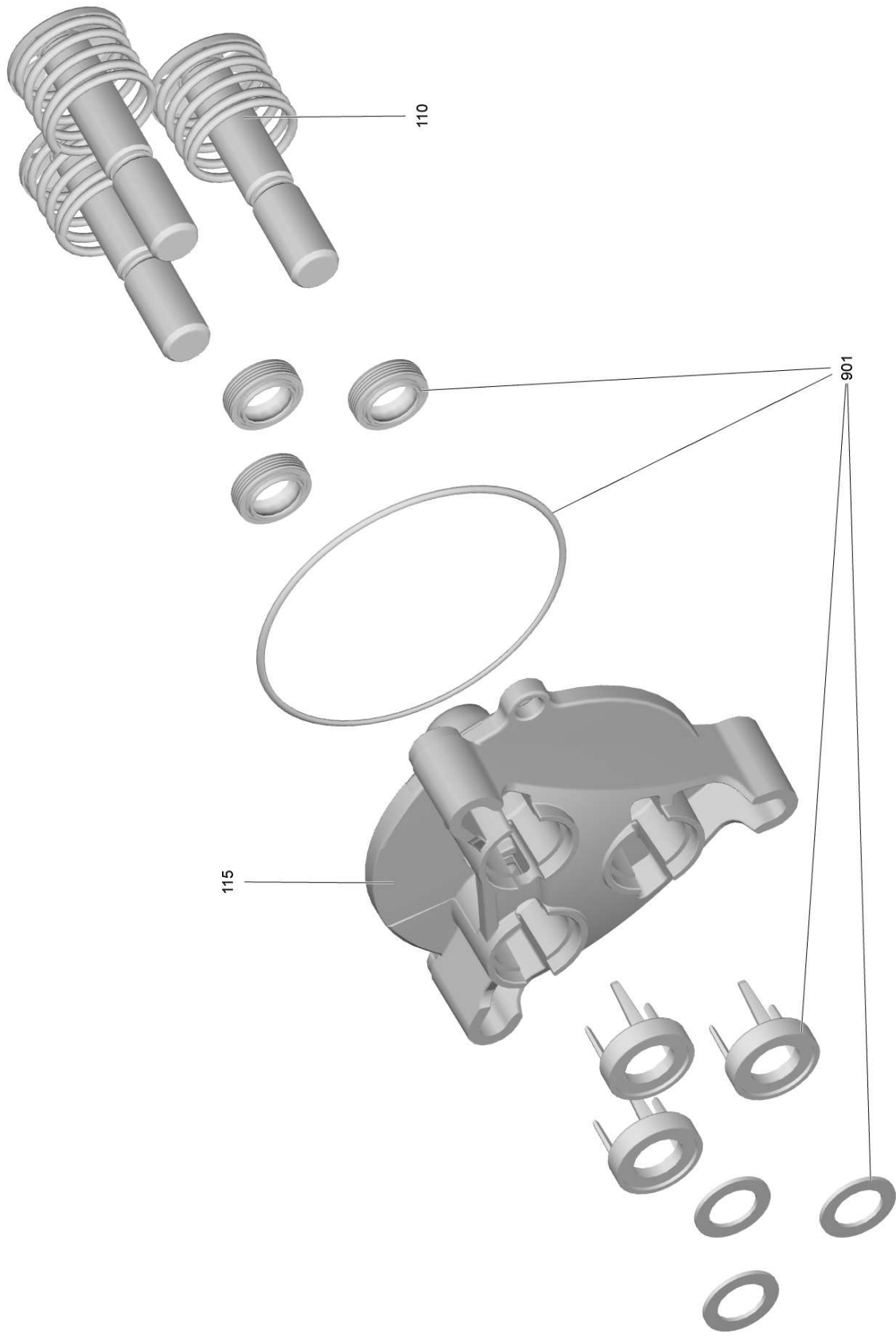
POS	Article no.	Description	Quantity	Unit	Remark	Foot note text
901	4.120-020.3	Wobble plate complete 13° G7/2-L	1	PC		VERSION B
96	4.401-198.0	Ball bearing 6202-2RS -Wälzl.St DIN 625	1	PC		
98	5.093-025.0	Outer covering water flow	1	PC		
95	5.363-453.0	Joint ring Ømiddle=120mm	1	PC	THICKNESS:1,8mm / DICKE:1,8mm	VERSION 2
95	5.363-590.0	Joint ring	1	PC	THICKNESS:0,8mm / DICKE:0,8mm	VERSION 1
125	6.288-050.0	Engine oil 1L	1	PC		
94	6.303-320.0	Screw M 5x 20-St-R2R	8	PC		
900	6.304-077.0	Screw wobble plate M8x34	1	PC		VERSION B
217	6.363-593.0	O-Ring seal 146x5 EPDM	1	PC		
218	6.363-647.0	O-Ring seal D130x5	1	PC		
93	6.367-051.0	Rotary shaft seal -20X37X8 NBR	1	PC		
92	6.401-427.3	Angular contact ball bearing	1	PC		
90	9.002-541.0	Rotor disc oscillante	1	PC		VERSION A
91	9.086-169.0	Wobble plate screw M8x16	1	PC		VERSION A



51 Pump head complete K7 FC *EU

POS	Article no.	Description	Quantity	Unit
101		Piston guidance complete	1	PC
9000	2.885-186.0	Spare parts set excess-current	1	PC
901	4.100-834.0	Spare parts set seals	1	PC
104	4.584-022.0	Valve pin complete	1	PC
9001	4.769-034.0	Nozzle insert only for replacement	1	PC
247	5.048-047.0	Clamp pressure sensor	1	PC
167	5.048-048.0	Clamp	1	PC
106	5.062-718.3	Housing waterproof	1	PC
240	5.333-215.0	Pressure spring by-pass	1	PC
214	5.789-070.0	High-pressure outlet	1	PC
248	6.362-151.0	O-Ring d. 10 x 2 NBR 70	1	PC
246	6.363-716.0	O-Ring seal 2,2x1,7 -NBR 80	1	PC
239	6.440-000.3	Lifting drive complete	1	PC
245	6.630-839.3	Pressure switch only for replacement	1	PC
245	6.630-985.3	Pressure switch	1	PC
244	7.303-048.0	Screw M6x20 -St-R3R (In6Rd)	2	PC
105	9.002-523.0	Plug completo K7 (c/imballo)	1	PC
102	9.002-525.0	Cylinder head alluminio completo (c/imballo)	1	PC

101 Piston guidance complete



101 Piston guidance complete

POS	Article no.	Description	Quantity	Unit
901	4.100-834.0	Spare parts set seals	1	PC
115	5.062-655.0	Piston guidance K7	1	PC
110	9.002-522.0	Piston completo K7 (c/imballo)	3	PC

102 Cylinder head alluminio completo (c/imballo) (9.002-525.0)

POS	Article no.	Description	Quantity	Unit
149	6.363-748.0	Grooved ring	3	PC
	Item text1: replaced by 6.363-748.3			
149	6.363-748.3	Grooved ring	3	PC



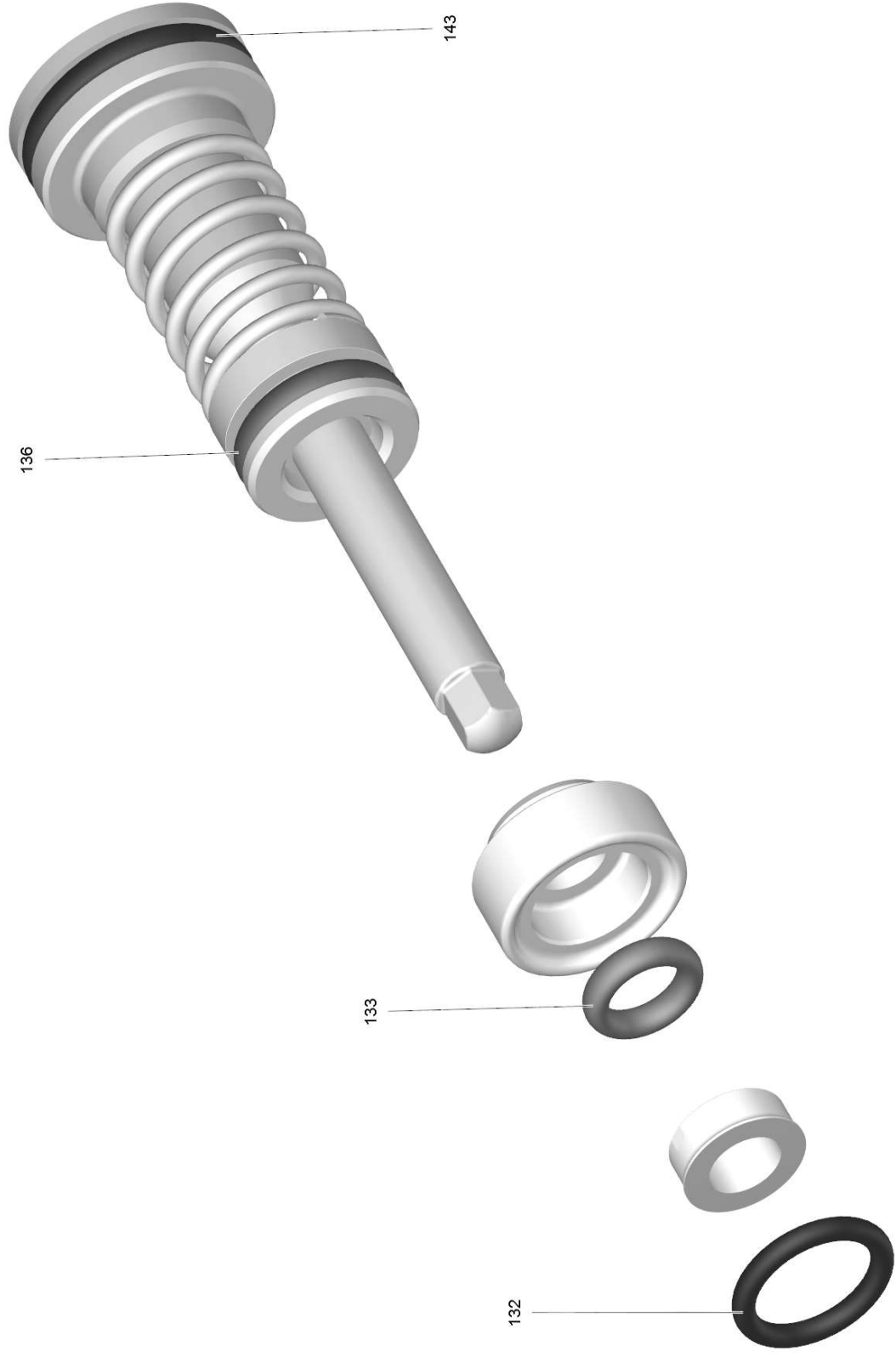
104 Valve pin complete (4.584-022.0)

POS	Article no.	Description	Quantity	Unit
208	6.363-613.0	O-Ring seal 4 x 2 -NBR90	1	PC



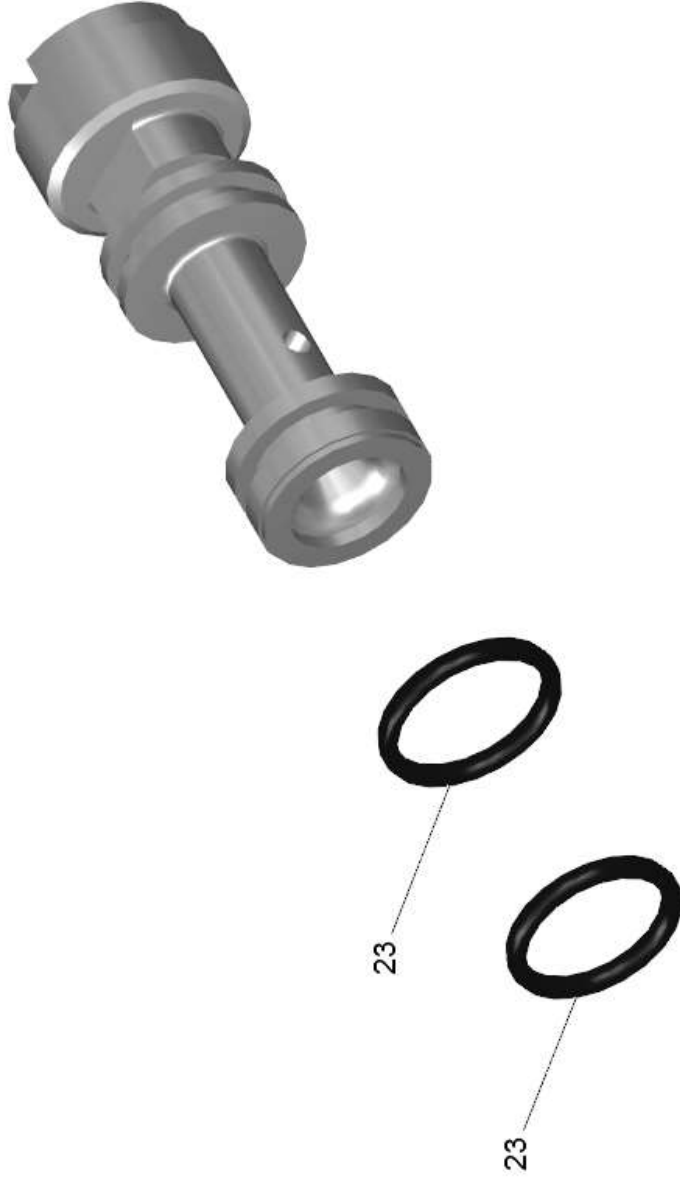
9000 Spare parts set excess-current (2.885-186.0)

POS	Article no.	Description	Quantity	Unit
103	2.885-408.0	Control piston complete replacement	1	PC
163	6.362-030.0	O-Ring seal 15x2 90 Shore IRHD	1	PC



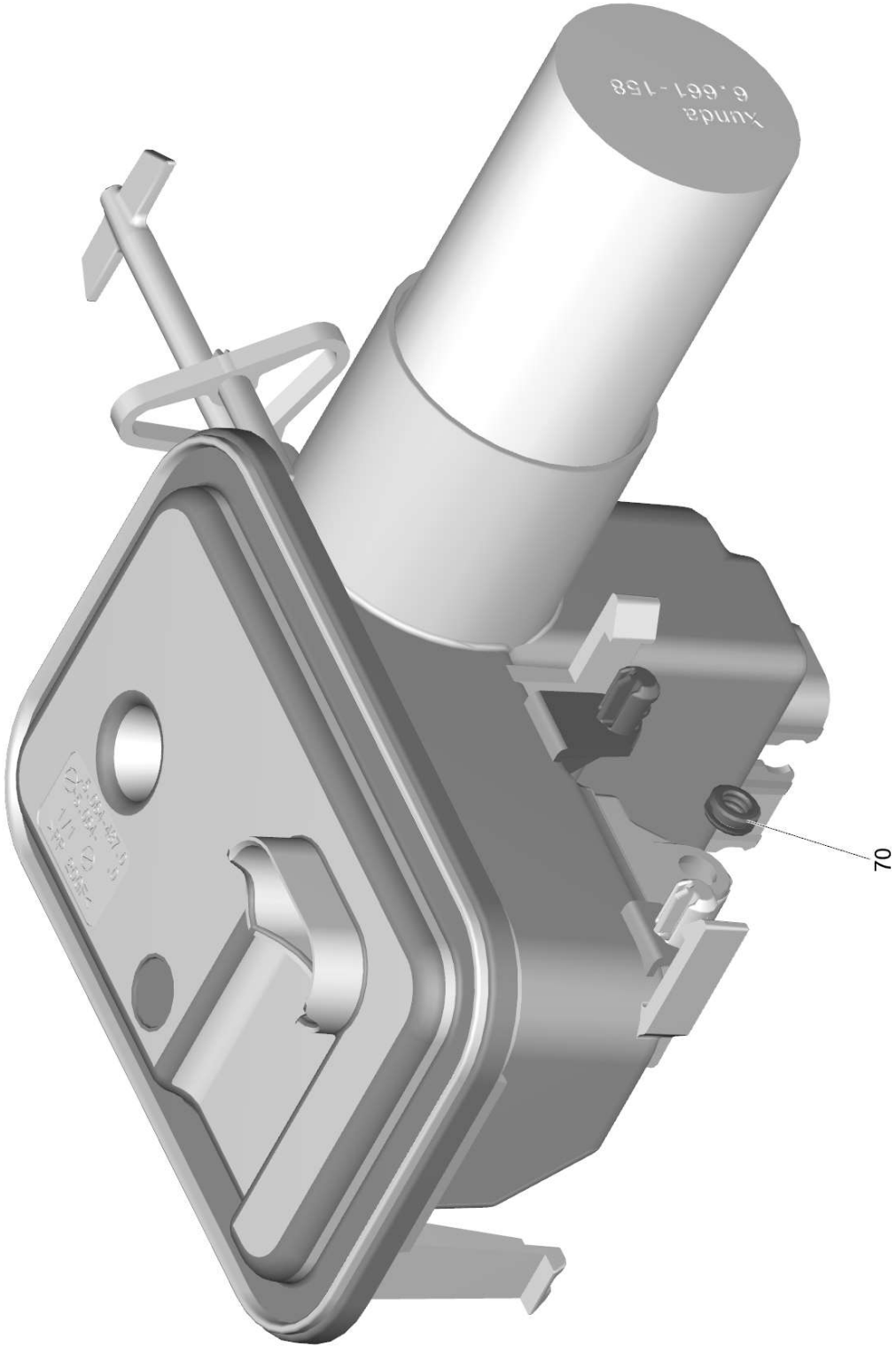
103 Control piston complete replacement (2.885-408.0)

POS	Article no.	Description	Quantity	Unit
132	6.362-101.0	O-Ring seal 8 X 2	1	PC
143	6.362-381.0	O-Ring seal 13x2 - NBR 70	1	PC
133	6.363-606.0	O-Ring seal 4,7 x 1,9 -NBR70	1	PC
136	6.363-614.0	O-Ring seal 9 x 2 -NBR90	1	PC



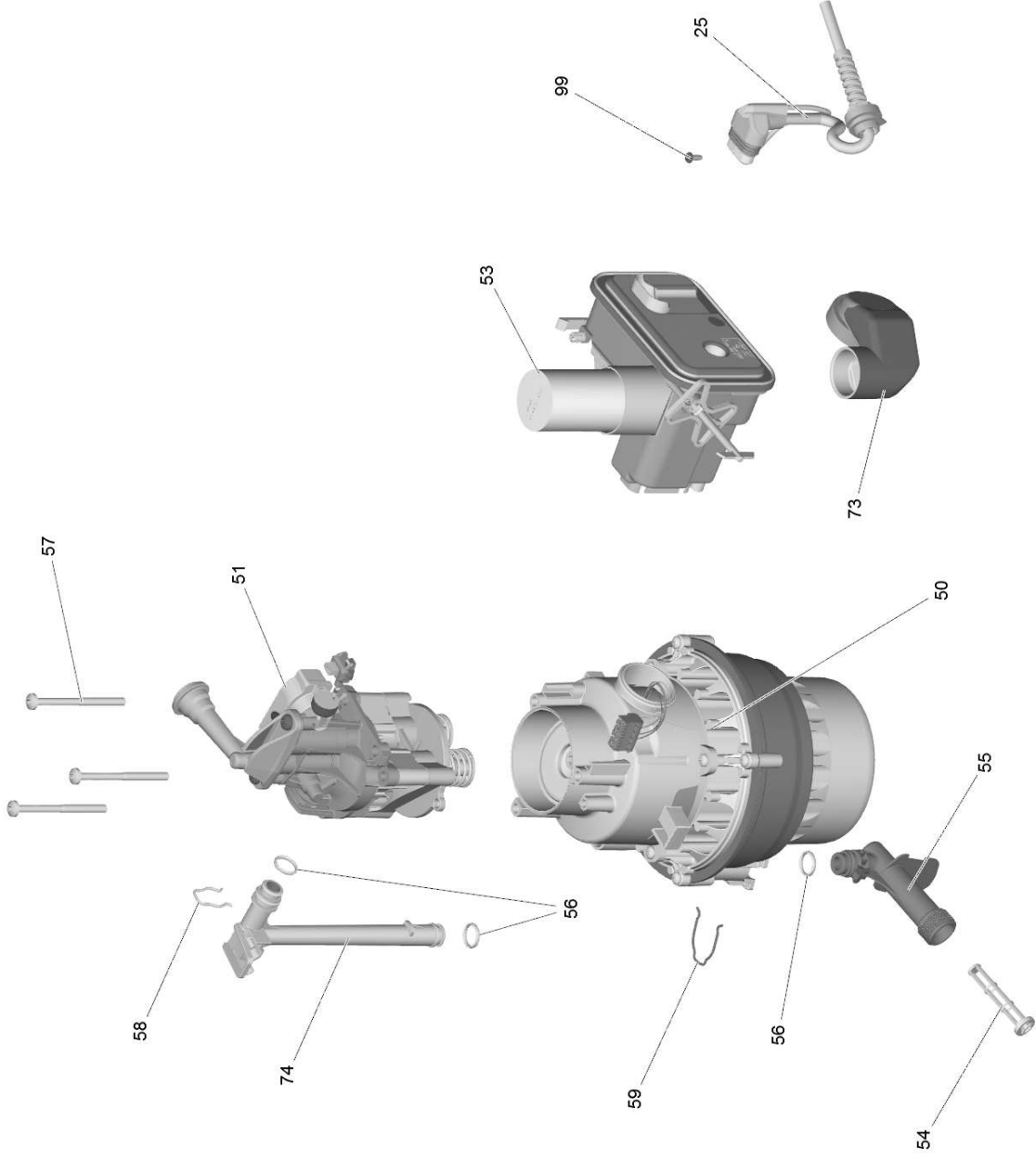
9001 Nozzle insert only for replacement (4.769-034.0)

POS	Article no.	Description	Quantity	Unit
23	6.362-384.0	O-Ring seal 9x1.5 - NBR 70	2	PC



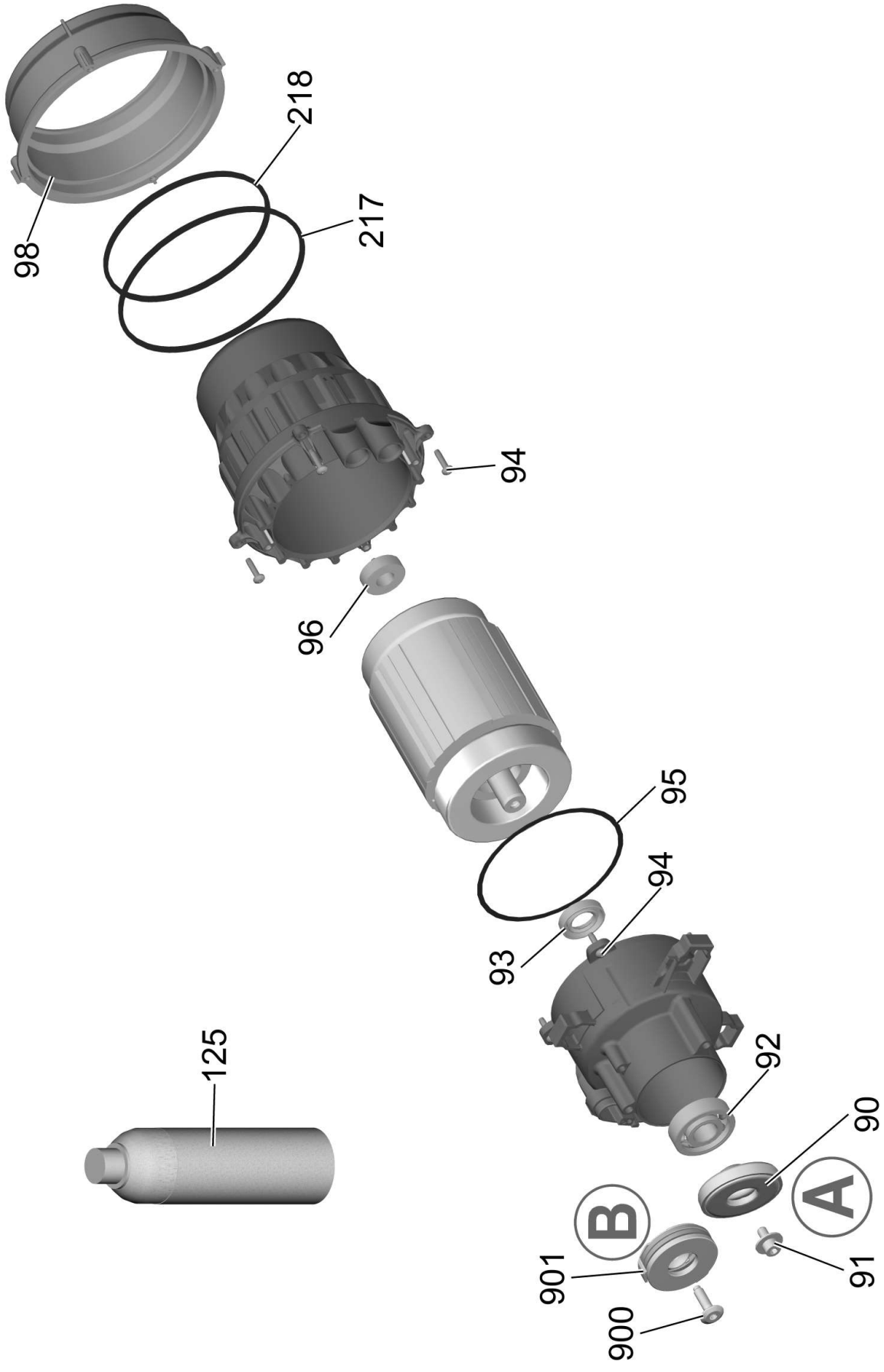
53 Electric box for replacement *EU (4.800-010.3)

POS	Article no.	Description	Quantity	Unit
70	5.363-909,0	Seal control piston K7	1	PC



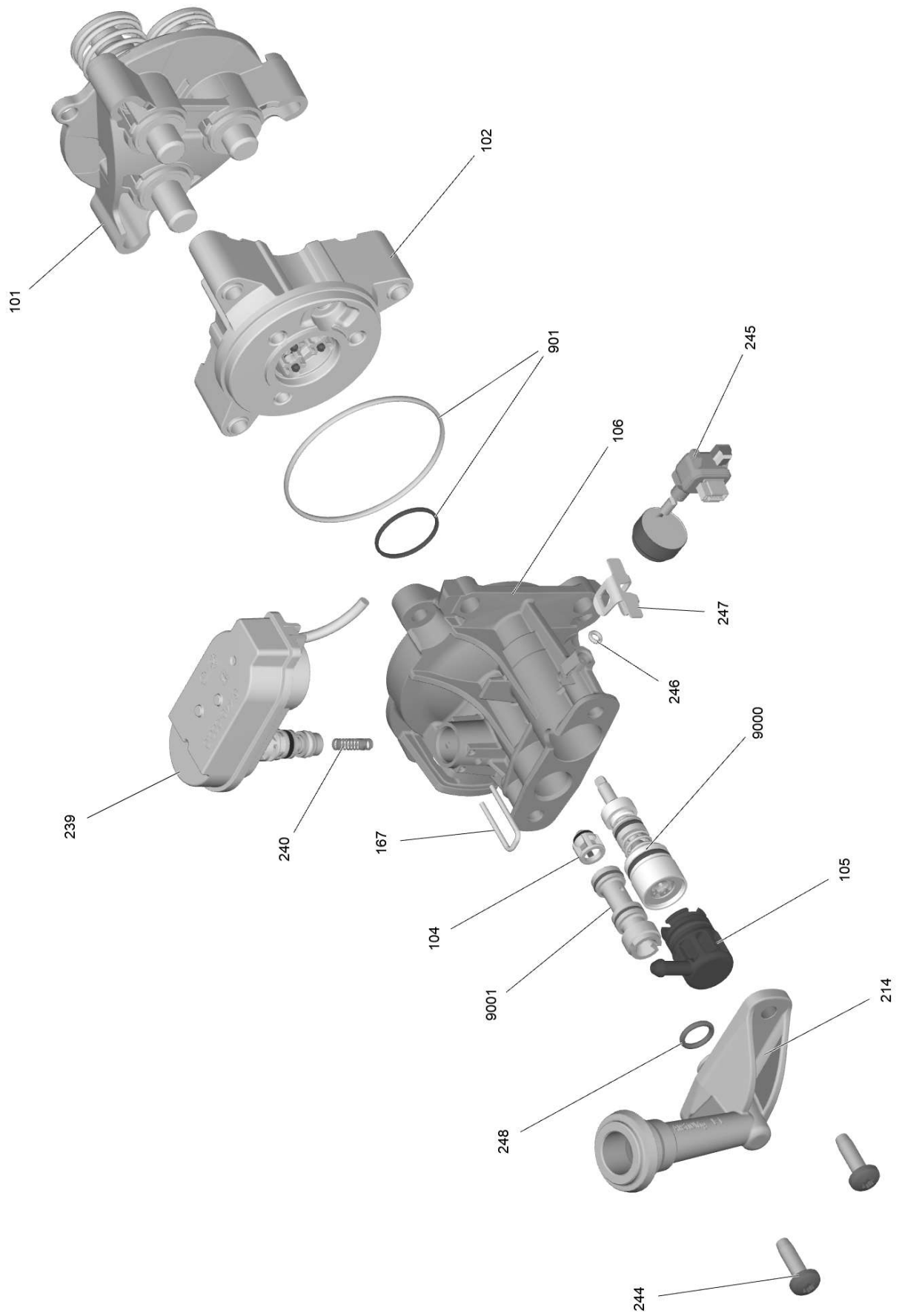
2 Pump set complete K7 *EU 2017

POS	Article no.	Description	Quantity	Unit
51		Pump head complete K7 2017	1	PC
50	4.624-311.0	Motor complete replacement K7	1	PC
53	4.800-004.3	Electric box complete	1	PC
59	5.048-065.0	Clamp pipe intake	1	PC
58	5.048-915.0	Clamp	1	PC
73	5.363-827.0	Connection electric box A-bearing plate	1	PC
55	5.443-015.0	Tube intake	1	PC
54	5.731-011.0	Fine filter	1	PC
57	6.303-042.0	Screw M6x80	3	PC
56	6.363-610.0	O-Ring seal 13 x 3 -NBR	3	PC
25	6.650-486.3	Cable with plug *EU	1	PC
99	7.303-031.0	Screw M4x10 -St-P2R (In6Rd)	1	PC
74	9.013-726.3	Tube complete Ruecklauf WCM K7	1	PC



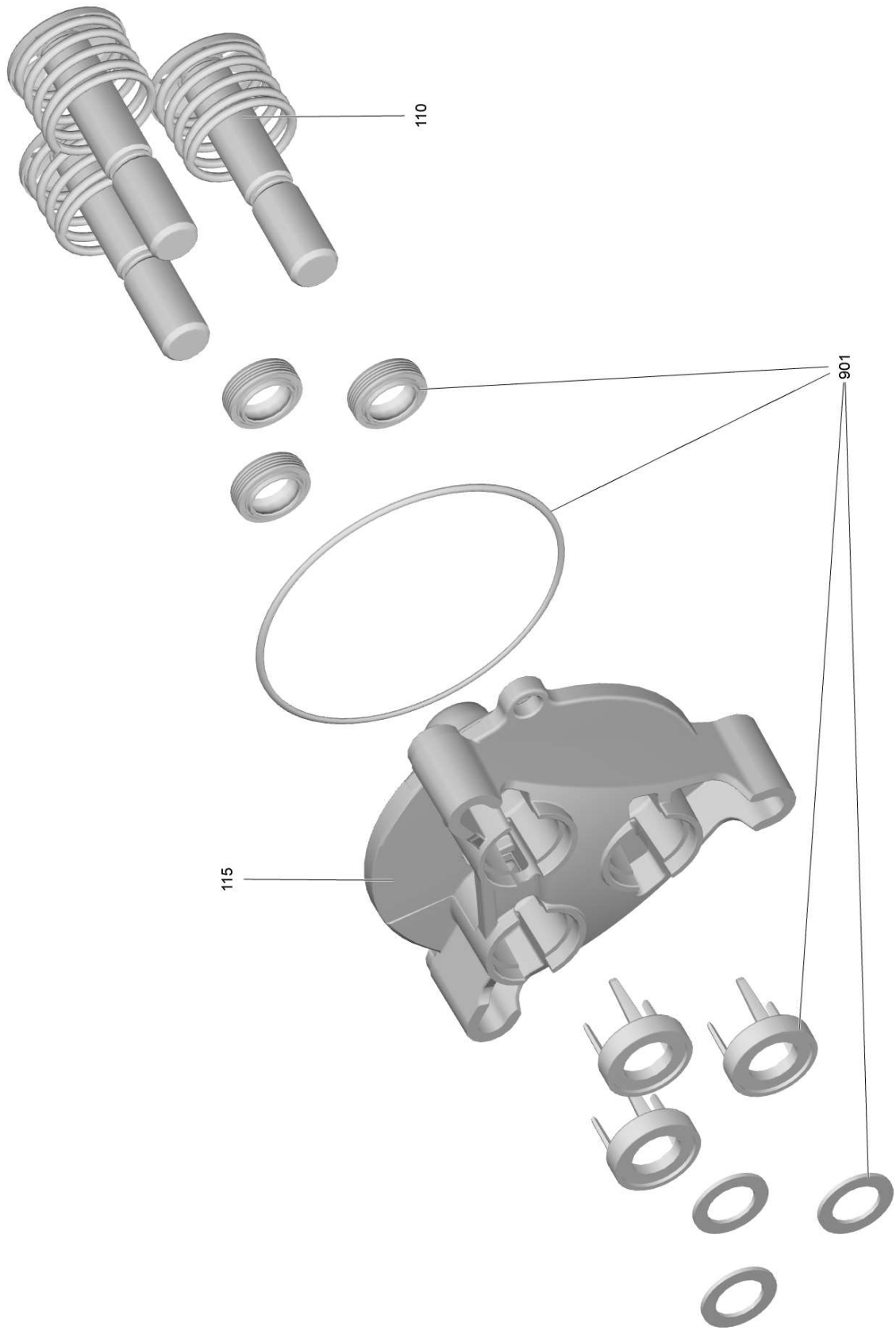
50 Motor complete replacement K7 (4.624-311.0)

POS	Article no.	Description	Quantity	Unit	Remark	Foot note text
901	4.120-020.3	Wobble plate complete 13° G7/2-L	1	PC		VERSION B
96	4.401-198.0	Ball bearing 6202-2RS -Wälzl.St DIN 625	1	PC		
98	5.093-025.0	Outer covering water flow	1	PC		
95	5.363-453.0	Joint ring Ømiddle=120mm	1	PC	THICKNESS:1,8mm / DICKE:1,8mm	VERSION 2
95	5.363-590.0	Joint ring	1	PC	THICKNESS:0,8mm / DICKE:0,8mm	VERSION 1
125	6.288-050.0	Engine oil 1L	1	PC		
94	6.303-320.0	Screw M 5x 20-St-R2R	8	PC		
900	6.304-077.0	Screw wobble plate M8x34	1	PC		VERSION B
217	6.363-593.0	O-Ring seal 146x5 EPDM	1	PC		
218	6.363-647.0	O-Ring seal D130x5	1	PC		
93	6.367-051.0	Rotary shaft seal -20X37X8 NBR	1	PC		
92	6.401-427.3	Angular contact ball bearing	1	PC		
90	9.002-541.0	Rotor disc oscillante	1	PC		VERSION A
91	9.086-169.0	Wobble plate screw M8x16	1	PC		VERSION A



51 Pump head complete K7 2017

POS	Article no.	Description	Quantity	Unit
101		Piston guidance complete	1	PC
9000	2.885-186.0	Spare parts set excess-current	1	PC
901	4.100-834.0	Spare parts set seals	1	PC
104	4.584-022.0	Valve pin complete	1	PC
9001	4.769-034.0	Nozzle insert only for replacement	1	PC
247	5.048-047.0	Clamp pressure sensor	1	PC
167	5.048-048.0	Clamp	1	PC
106	5.062-718.3	Housing waterproof	1	PC
240	5.333-215.0	Pressure spring by-pass	1	PC
214	5.789-070.0	High-pressure outlet	1	PC
248	6.362-151.0	O-Ring d. 10 x 2 NBR 70	1	PC
246	6.363-625.0	O-Ring seal 2,7x1,5 NBR90	1	PC
239	6.440-000.3	Lifting drive complete	1	PC
245	6.645-999.3	Pressure sensor complete	1	PC
244	7.303-048.0	Screw M6x20 -St-R3R (In6Rd)	2	PC
105	9.002-523.0	Plug completo K7 (c/imballo)	1	PC
102	9.002-525.0	Cylinder head alluminio completo (c/imballo)	1	PC



101 Piston guidance complete

POS	Article no.	Description	Quantity	Unit
901	4.100-834.0	Spare parts set seals	1	PC
115	5.062-655.0	Piston guidance K7	1	PC
110	9.002-522.0	Piston completo K7 (c/imballo)	3	PC

102 Cylinder head alluminio completo (c/imballo) (9.002-525.0)

POS	Article no.	Description	Quantity	Unit
149	6.363-748.0	Grooved ring	3	PC
	Item text1: replaced by 6.363-748.3			
149	6.363-748.3	Grooved ring	3	PC



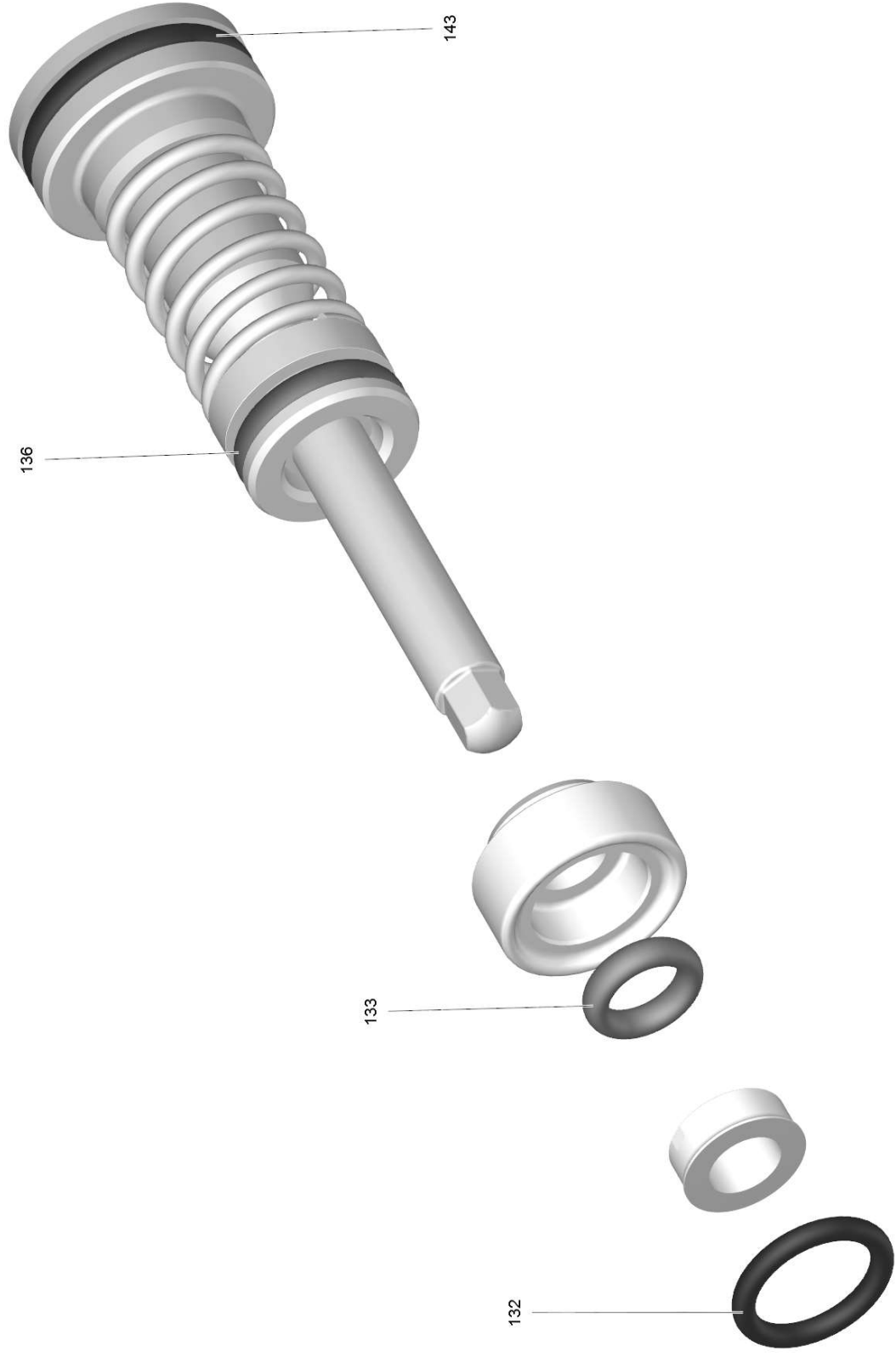
104 Valve pin complete (4.584-022.0)

POS	Article no.	Description	Quantity	Unit
208	6.363-613.0	O-Ring seal 4 x 2 -NBR90	1	PC



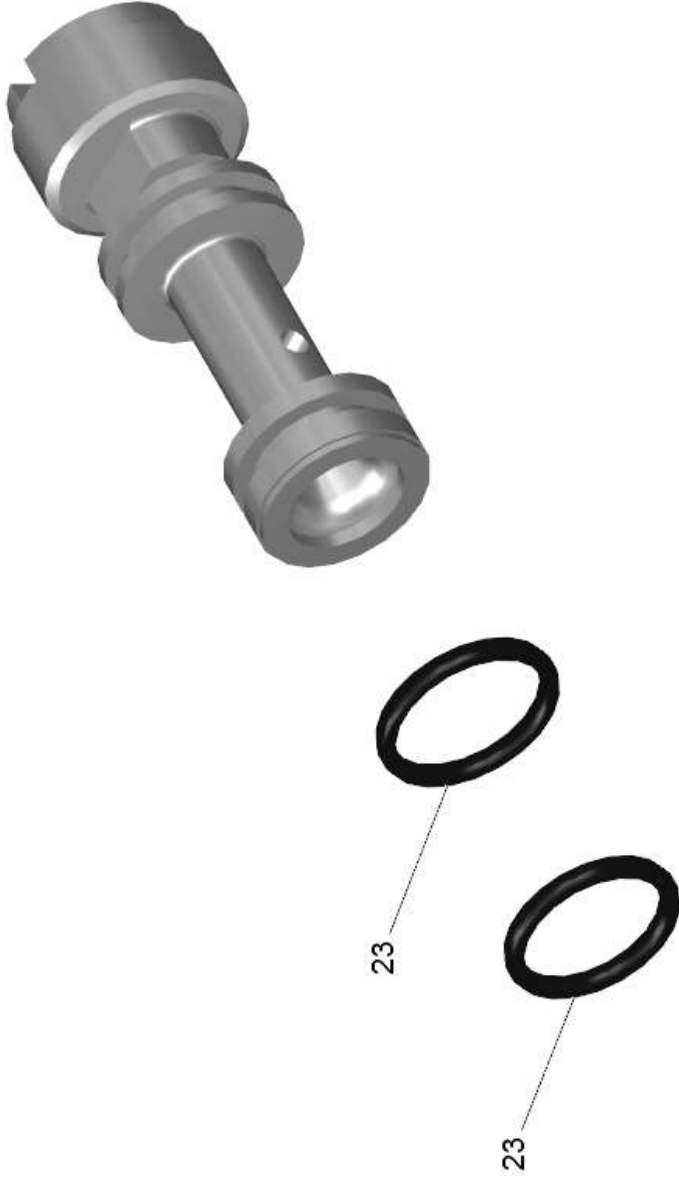
9000 Spare parts set excess-current (2.885-186.0)

POS	Article no.	Description	Quantity	Unit
103	2.885-408.0	Control piston complete replacement	1	PC
163	6.362-030.0	O-Ring seal 15x2 90 Shore IRHD	1	PC



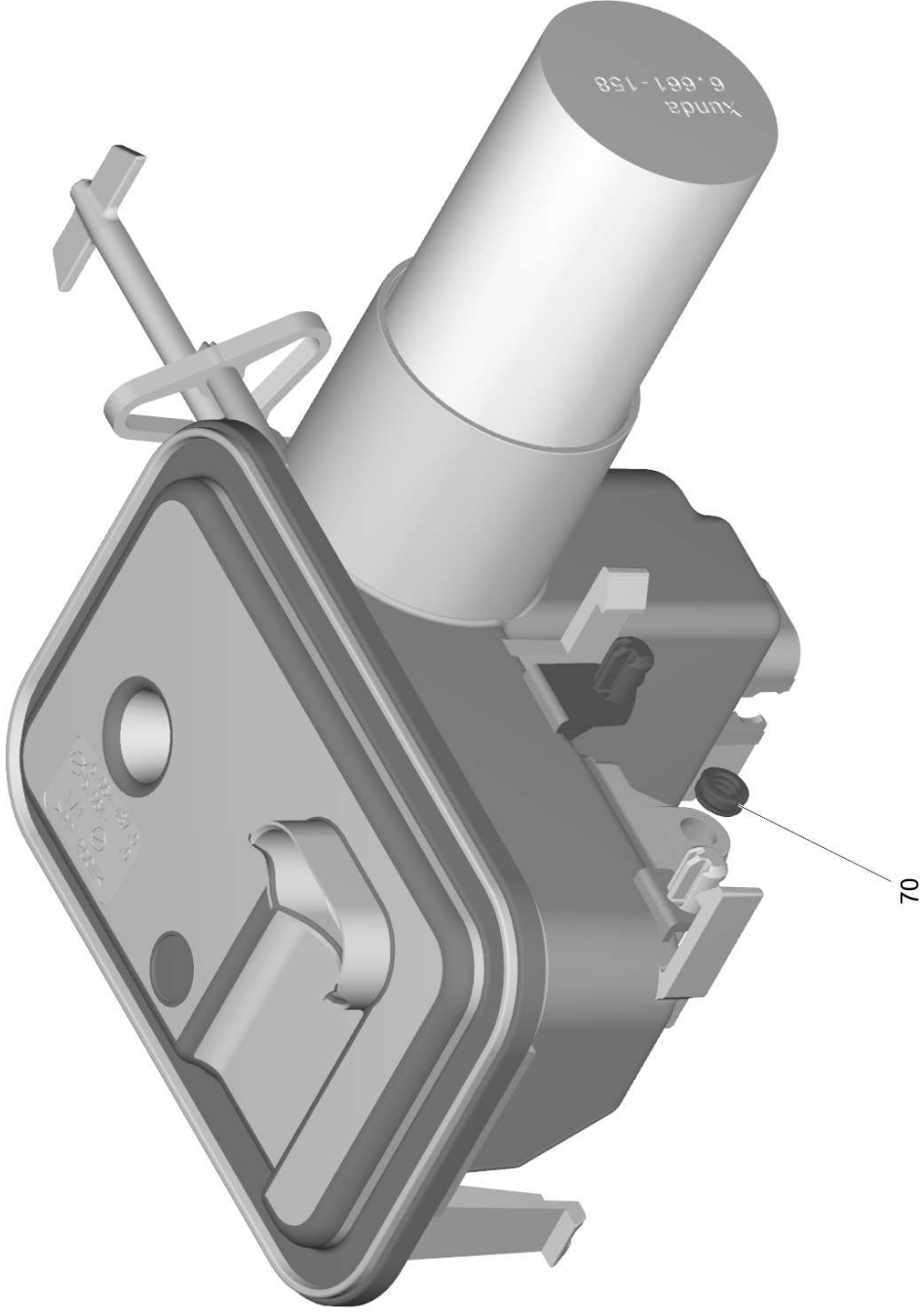
103 Control piston complete replacement (2.885-408.0)

POS	Article no.	Description	Quantity	Unit
132	6.362-101.0	O-Ring seal 8 X 2	1	PC
143	6.362-381.0	O-Ring seal 13x2 - NBR 70	1	PC
133	6.363-606.0	O-Ring seal 4,7 x 1,9 -NBR70	1	PC
136	6.363-614.0	O-Ring seal 9 x 2 -NBR90	1	PC



9001 Nozzle insert only for replacement (4.769-034.0)

POS	Article no.	Description	Quantity	Unit
23	6.362-384.0	O-Ring seal 9x1.5 - NBR 70	2	PC



53 Electric box complete (4.800-004.3)

POS	Article no.	Description	Quantity	Unit
70	5.363-749.0	Seal control piston	1	PC

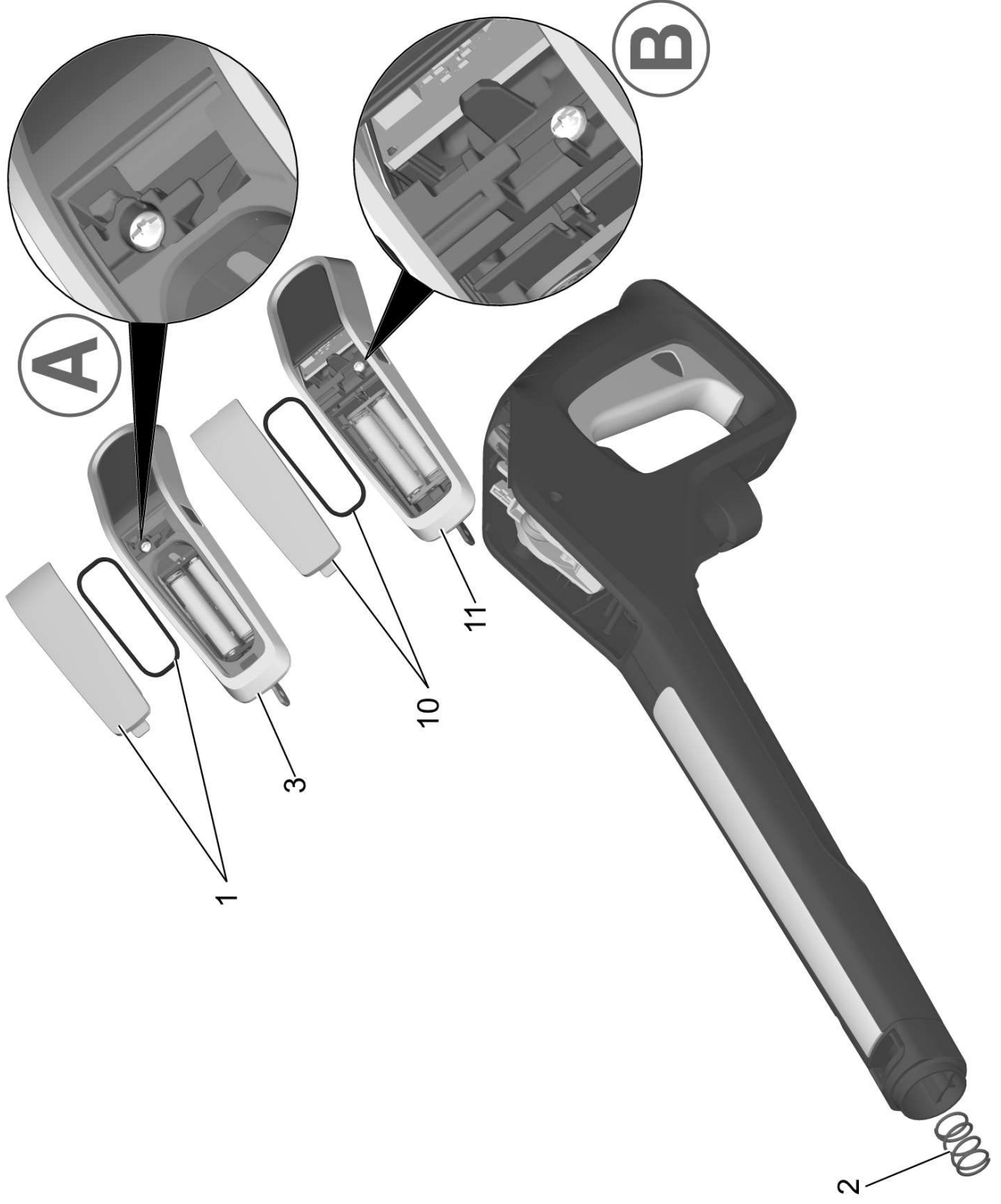


3 MJ 180 3-in-1 Multi Jet Full Control (2.643-907.0)

POS	Article no.	Description	Quantity	Unit
9500	2.640-729.0	O-Ring seal set	1	PC

9500 O-Ring seal set (2.640-729.0)

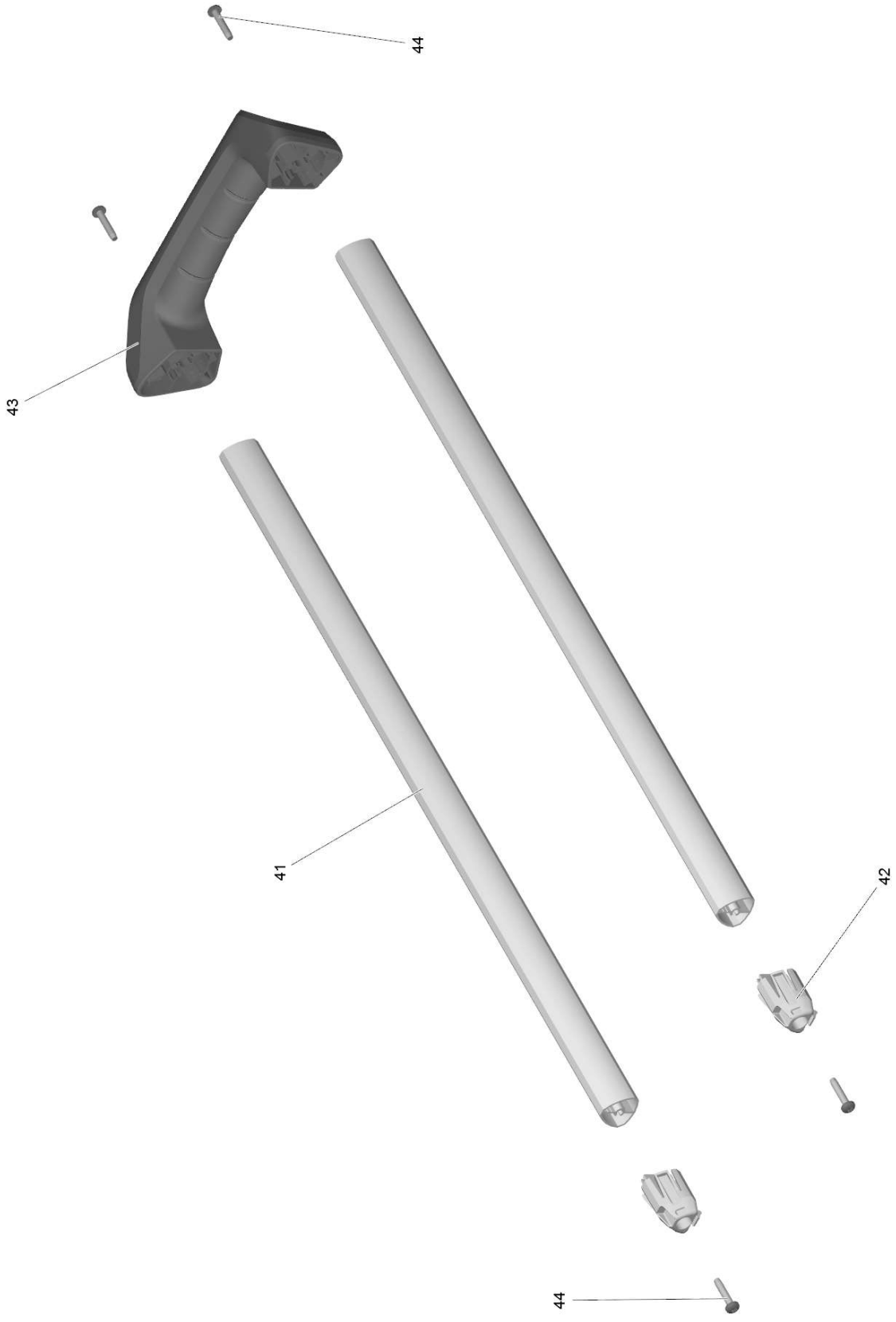
POS	Article no.	Description	Quantity	Unit
10	4.101-395.0	Drain plug with O-Ring seal	1	PC



10 G 180 Q Full Control *EU (4.775-111.3)

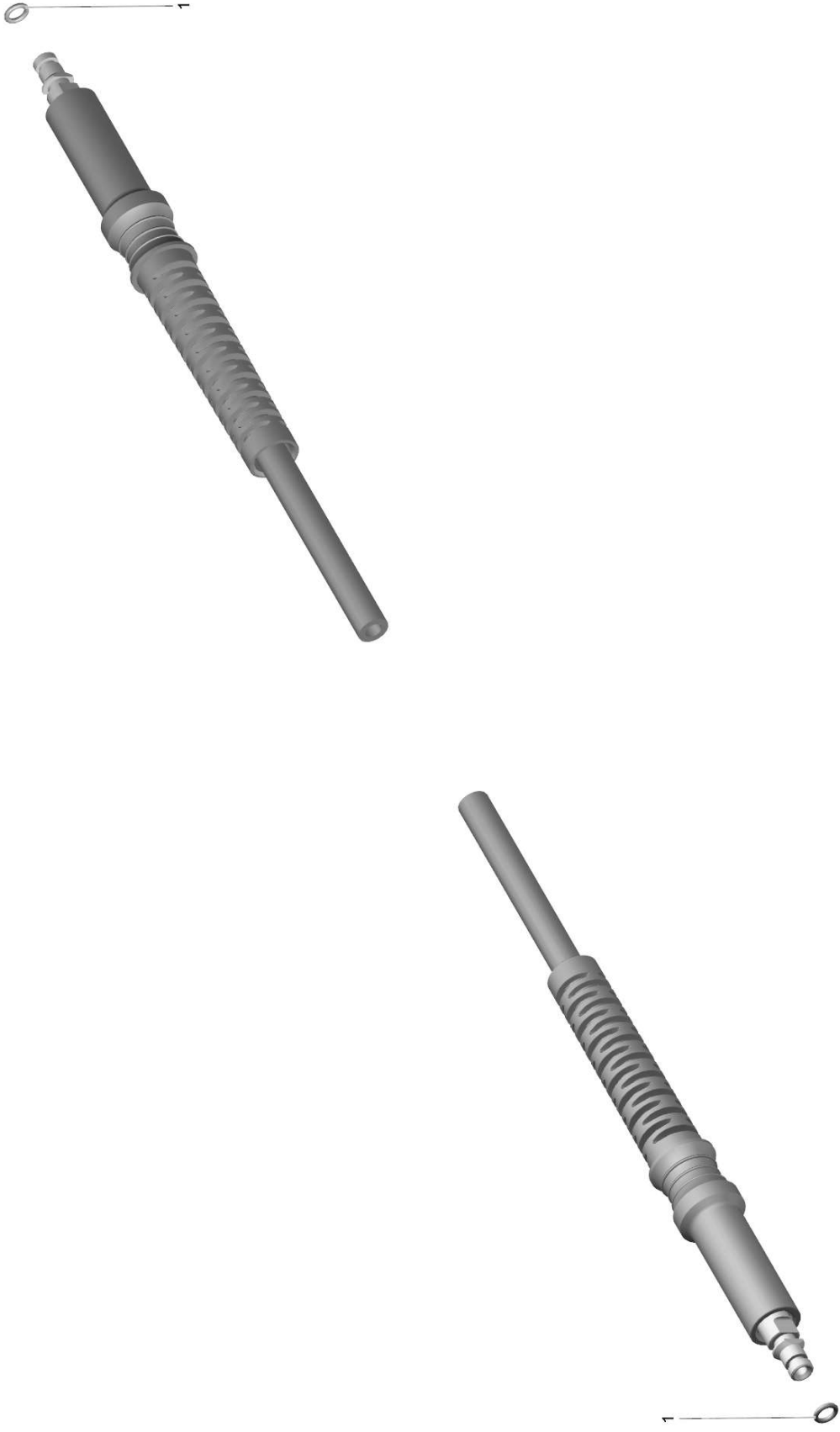
POS	Article no.	Description	Quantity	Unit	Foot note text
11		Electric box G 180 Q FC*EU	1	PC	VERSION B
1	2.885-476.0	Spare part set cover battery G 160 Q Ful	1	PC	VERSION A
10	2.885-912.0	Spare part set cover battery G 180 Q SC	1	PC	VERSION B
3	4.762-579.3	Electrical box pistol G180 Q FC *EU	1	PC	VERSION A
2	5.332-464.0	Pressure spring	1	PC	

14 Handhold complete



14 Handhold complete

POS	Article no.	Description	Quantity	Unit
41	5.105-015.0	Tube L=500	2	PC
43	5.322-163.0	Hand grip	1	PC
44	7.303-034.0	Screw M4x20-ST-R2R (IN6RD)	4	PC
42	9.038-640.0	End piece	2	PC

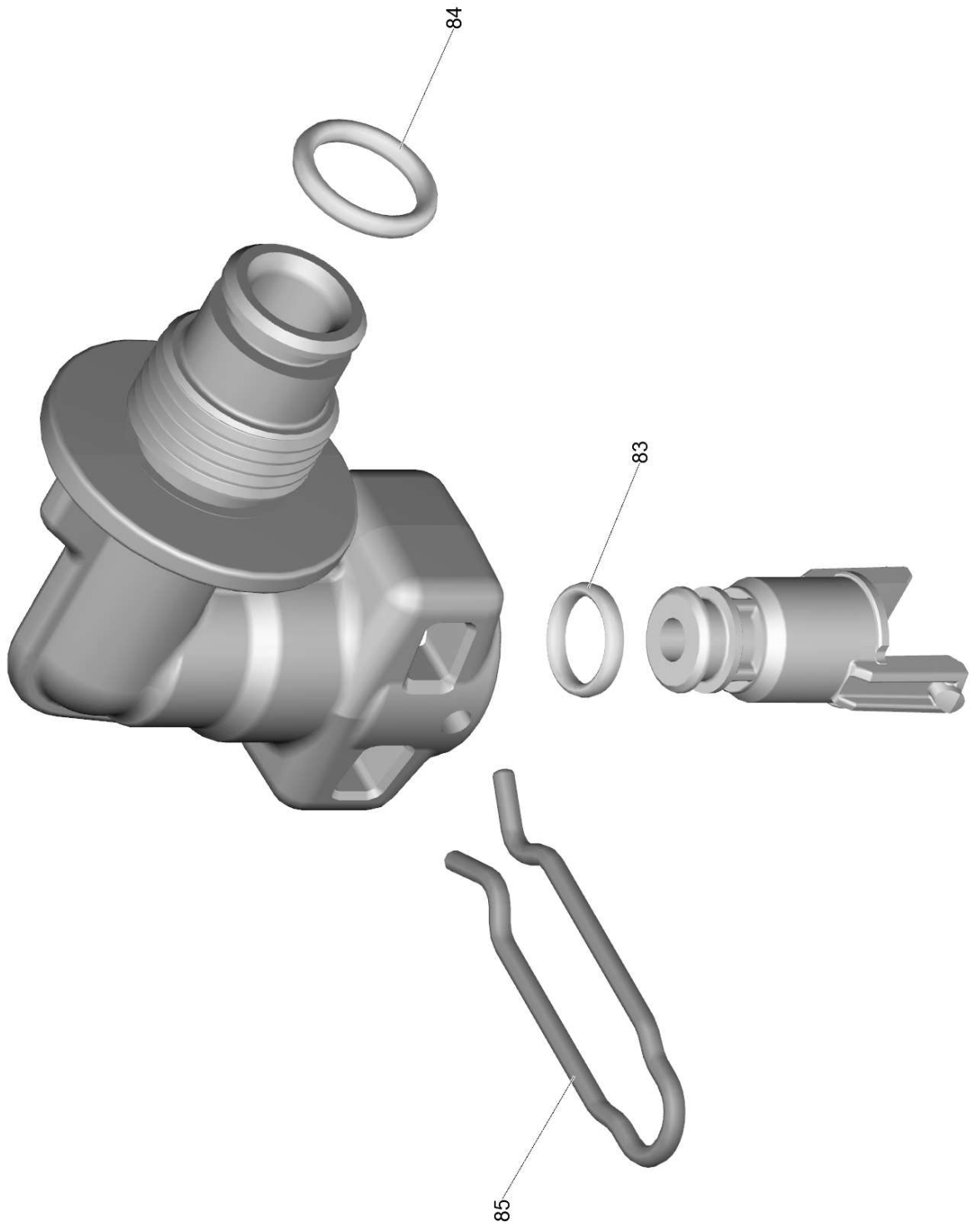


16 High pressure hose 18MPa/10 60°C QC B (6.396-492.0)

POS	Article no.	Description	Quantity	Unit
1	2.640-729.0	O-Ring seal set	1	PC

1 O-Ring seal set (2.640-729.0)

POS	Article no.	Description	Quantity	Unit
10	4.101-395.0	Drain plug with O-Ring seal	1	PC



28 Angle cleat high pressure hose only for replacement (4.775-845.3)

POS	Article no.	Description	Quantity	Unit
85	5.059-401.0	Clamp	1	PC
84	6.362-151.0	O-Ring d. 10 x 2 NBR 70	1	PC
83	6.362-658.0	O-Ring seal 7 X 1,5-NBR 90	1	PC