

Spare parts list

(1.286-201.0) HD 10/25 -4S PLUS *EU-I

Table of contents

HD 10/25 -4S PLUS *EU-I (1.286-201.0)	4
Spare parts list HD 10/25 S (5.958-680.0)	5
10 Individual parts	6
21 Frame complete (4.050-601.0)	9
20 Pump set	11
21 Cylinder head	12
3 SPARE PARTS SET (2.883-988.0)	14
12 Overflow valve -nur fuer Ersatz- (2.885-129.0)	16
28 Nozzle insert complete (4.769-000.0)	18
100 PUMP SET HD 1095 (2.883-902.0)	20
10 Valve (3 Stueck) (2.884-512.0)	22
20 Valve complete (4.580-594.0)	24
22 Piston	26
23 Valves	28
4 Manifold complete (4.427-216.0)	30
7 Valve (3 Stueck) (2.884-512.0)	32
12 Valve complete (4.580-594.0)	34
24 Water filter	36
5 Filter complete (4.730-161.0)	38
30 Motor	40
40 Accessories	42
41 Hand trigger gun	43
1 HAND TRIGGER GUN EASY PRESS (4.775-463.0)	45
9002 Lever complete (4.481-209.0)	47
4 Rotary controller 416L (4.775-470.0)	49
5 Hose assembly only for replacement DN8 4 (6.391-351.0)	51
13 Lever complete (4.481-209.0)	53
42 Jet pipe	55
1 Jet pipe packaged only for replacement (4.760-660.0)	57
43 Nozzle	59
Triple jet nozzle with packing 047 (4.767-064.0)	61
2 Spare parts list triple jet nozzle (5.970-000.0)	62
10 Triple jet nozzle	63
17 Nozzle holder 055 (4.764-159.0)	65
Triple jet nozzle with packing 05 (4.767-065.0)	66
2 Spare parts list triple jet nozzle (5.970-000.0)	67
10 Triple jet nozzle	68
17 Nozzle holder 055 (4.764-159.0)	70

Table of contents

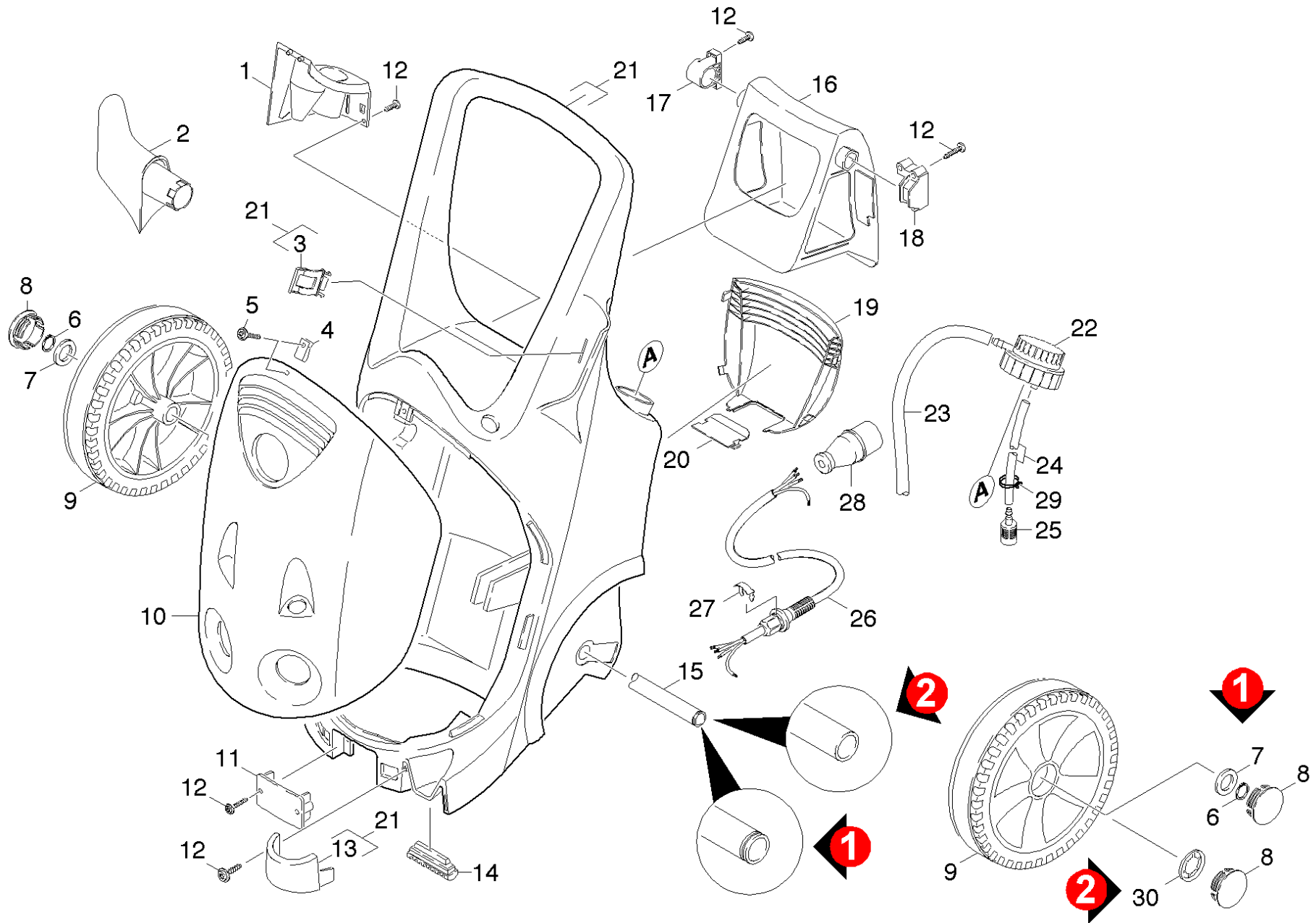
11 Dirt blaster 05 (4.763-253.0)	71
11 Spare parts list dirt blaster (5.955-641.0)	72
10 Dirt blaster	73
Spare part set rotor 170 (2.881-025.0)	76
Spare part set dirt blaster 04-HD 1050 (2.883-471.0)	78
Spare part set dirt blaster 05 (2.883-472.0)	80
Spare part set dirt blaster 055/06 (2.883-473.0)	82
Spare part set dirt blaster 07/08-HDS 8 (2.883-474.0)	84
Spare part set dirt blaster 120 (2.884-051.0)	86
Spare part set dirt blaster 035 (2.884-052.0)	88
Spare part set dirt blaster 045 (2.884-113.0)	90
Spare part set dirt blaster 09 (2.884-316.0)	92
Spare parts set rotor 100 (2.885-196.0)	94
50 Electric control box	96
13 Spare part set HD 10/25 400V (2.885-150.0)	99
15 Spare part set HD 10/25 400V (2.885-150.0)	100
19 Spare part set HD 10/25 400V (2.885-150.0)	101

HD 10/25 -4S PLUS *EU-I (1.286-201.0)

POS	Article no.	Description	Quantity	Unit
0	5.958-680.0	Spare parts list HD 10/25 S	1	PC
Item text2: 3DD0DEE8DD1A5AC0E1000000C34F56CF12862010				

Spare parts list HD 10/25 S (5.958-680.0)

POS	Description	Quantity	Unit
10	Individual parts	1	PC
20	Pump set	1	PC
30	Motor	1	PC
40	Accessories	1	PC
50	Electric control box	1	PC

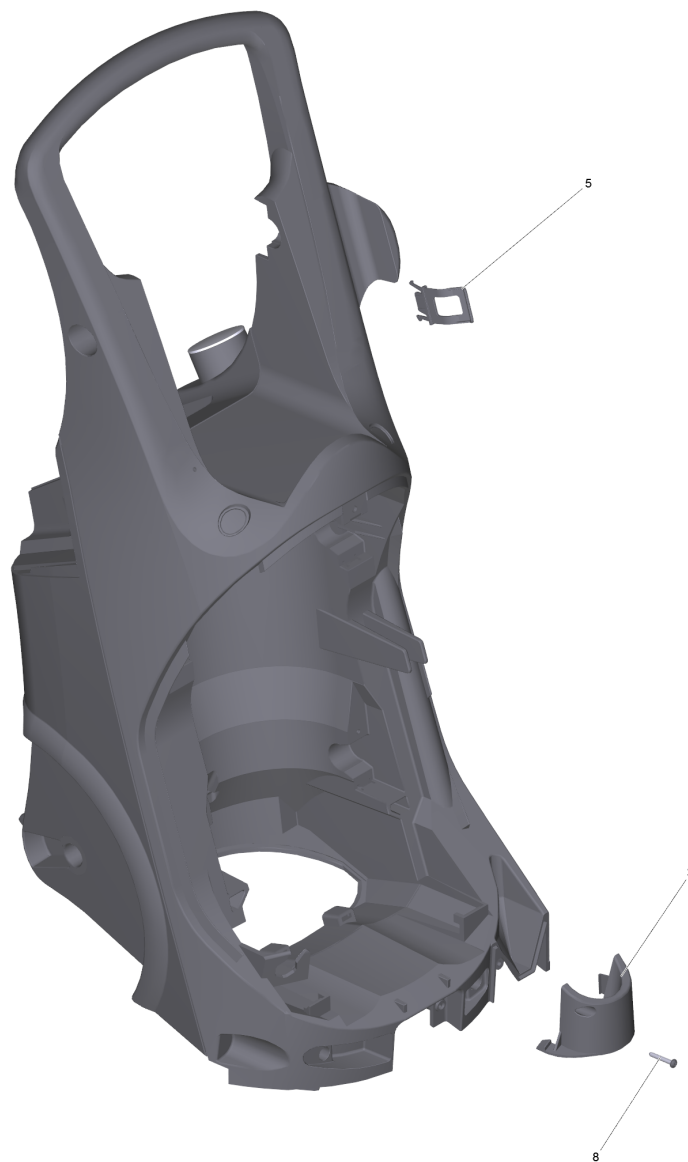


10 Individual parts

POS	Article no.	Description	Quantity	Unit	Remark	Foot note text
1	5.667-061.0	Nozzle holder	1	PC		
2	5.044-668.0	Holder	1	PC		
3	5.044-666.0	Holder jet pipe	1	PC		
4	6.310-053.0	Putting nut	1	PC		
5	6.304-099.0	Saucer-head screw M 6x 18-4.8-R2R	1	PC		
6	7.343-008.0	Locking ring 25x1,2-St-vz DIN 471	2	PC	VERSION 1	
7	7.312-060.0	Washer 24-100HV-A3E ISO 7091	2	PC	VERSION 1	
8	5.392-038.0	Wheel cap	1	PC		
9	4.515-092.0	Wheel complete	2	PC		
10	5.069-035.0	Cover HD-Basis/Superklasse	1	PC		
11	5.032-463.0	Covering cap hose guide	1	PC		
12	7.303-110.0	Screw 5x35 -10.9-R2R (In6Rd)	8	PC		
13	5.013-091.0	Funnel	1	PC		
14	5.057-062.0	Support	2	PC		
15	5.029-000.0	Axle	1	PC	VERSION 1	
15	5.033-342.0	Axle	1	PC	VERSION 2	
16	5.032-426.0	Covering cap	1	PC		
17	5.251-049.0	Bearing support right	1	PC		
18	5.251-048.0	Bearing support left	1	PC		
19	5.032-406.0	Covering cap	1	PC		
20	5.032-413.0	Covering cap drawer	1	PC		
21	4.050-601.0	Frame complete	1	PC		
22	4.580-608.0	Proportioning valve chemistry	1	PC		
23	6.388-194.0	Hose DN 7	1	m		TO ORDER AS CUT GOODS
24	6.388-216.0	Hose DN 5	1	m		TO ORDER AS CUT GOODS
25	5.731-652.0	Filter with weight	1	PC		
26	6.648-773.0	Cable complete	1	PC		
	Item text1: / 1.286-101.0 / -104.0 / -201.0					
26	6.648-814.0	Cable complete	1	PC		
	Item text1: / 1.286-102.0 / -202.0					
27	6.343-186.0	Locking ring	1	PC		
28	6.646-030.0	Plug CEE ,16A,5p,IP44	1	PC		
	Item text1: / 1.286-101.0 / -201.0					

10 Individual parts

POS	Article no.	Description	Quantity	Unit	Remark	Foot note text
28	6.646-044.0	Plug CEE-32 A	1	PC		
	Item text1: / 1.286-102.0 / -202.0					
29	6.389-567.0	Hose clip	1	PC		
30	6.343-162.0	Lock washer -25	2	PC	VERSION 2	

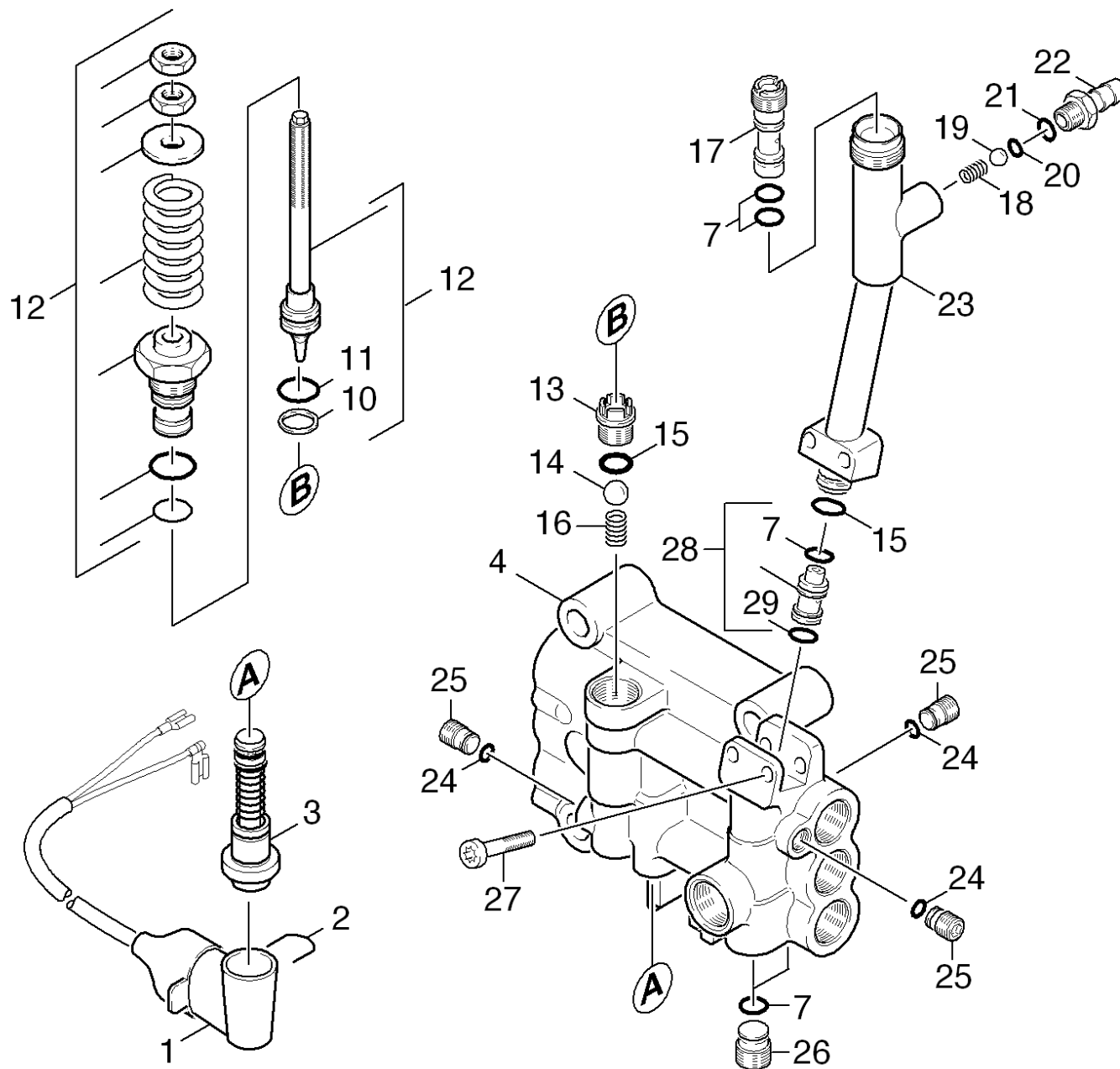


21 Frame complete (4.050-601.0)

POS	Article no.	Description	Quantity	Unit
3	5.013-091.0	Funnel	1	PC
5	5.044-666.0	Holder jet pipe	1	PC
8	7.303-110.0	Screw 5x35 -10.9-R2R (In6Rd)	1	PC

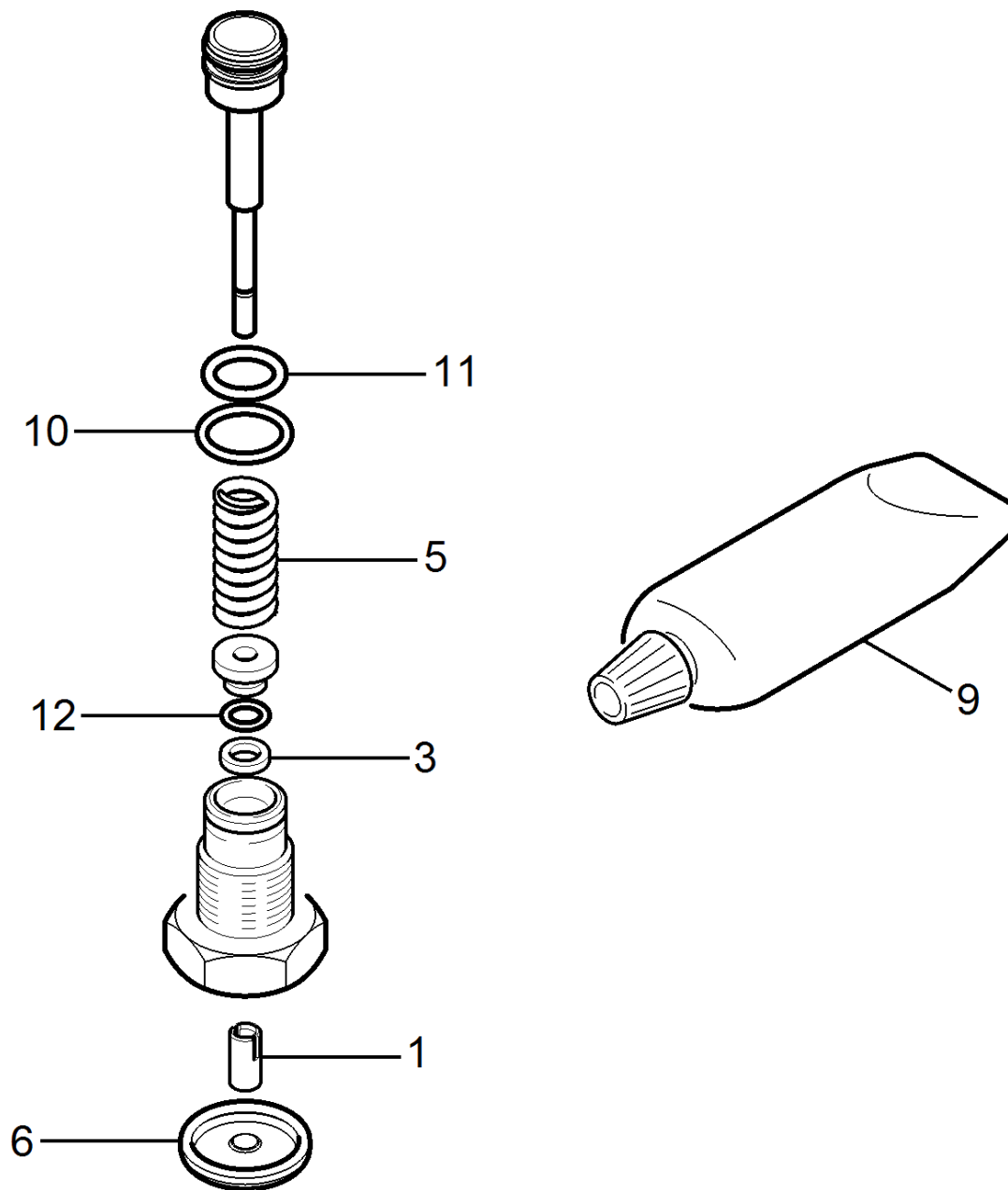
20 Pump set

POS	Description	Quantity	Unit
21	Cylinder head	1	PC
22	Piston	1	PC
23	Valves	1	PC
24	Water filter	1	PC



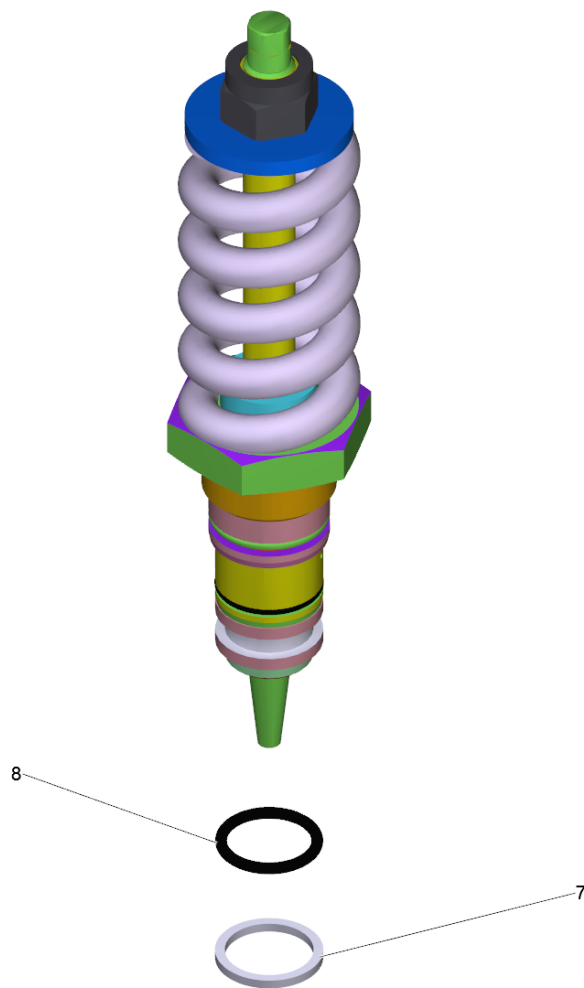
21 Cylinder head

POS	Article no.	Description	Quantity	Unit	Foot note text
1	4.744-239.0	Switch complete replacement	1	PC	USE ONLY WITH BOARD (pos.19) VERSION 2 IN GR. 5.0
1	4.744-242.0	Switch kpl. -nur für Ersatz-	1	PC	USE ONLY WITH BOARD (pos.19) VERSION 1 IN GR. 5.0
2	5.034-494.0	Retaining bracket	1	PC	
3	2.883-988.0	SPARE PARTS SET	1	PC	
4	2.885-130.0	Cylinder head -nur fuer Ersatz-	1	PC	
7	6.362-384.0	O-Ring seal 9x1,5 - NBR 70	5	PC	
10		Part at pump set	1	PC	
11	6.363-244.0	O-Ring seal 12.42x1.78	1	PC	
12	2.885-129.0	Overflow valve -nur fuer Ersatz-	1	PC	
13	5.581-270.0	Valve seat	1	PC	
14		Part at pump set	1	PC	
15	6.362-151.0	O-Ring d. 10 x 2 NBR 70	2	PC	
16	5.332-999.0	Helical spring	1	PC	
17	5.769-082.0	Nozzle insert D2.0/ D2.7/ L38	1	PC	
18	5.332-258.0	Helical spring	1	PC	
19	7.401-908.0	Sphere 7 G300 -1.4301 DIN 5401	1	PC	
20	6.363-597.0	O-Ring seal 5,28 x 1,78	1	PC	
21	6.362-113.0	O-Ring seal 6,0 x 2,0 NBR 70	1	PC	
22	5.443-370.0	Nipple	1	PC	
23	5.427-295.0	Manifold high-pressure	1	PC	
24	6.362-703.0	O-Ring seal 6,0x1,5-NBR 70	3	PC	
25	5.411-161.0	CLOSING SCREW M10X1	3	PC	
26	5.411-152.0	Screw plug	2	PC	
27	7.306-118.0	Screw M 6x35 -8.8-R3R (In6Rd)	2	PC	
28	4.769-000.0	Nozzle insert complete	1	PC	
29	6.363-282.0	O-Ring seal 6,3x2,4-NBR 70	1	PC	
100	2.883-902.0	PUMP SET HD 1095	1	PC	



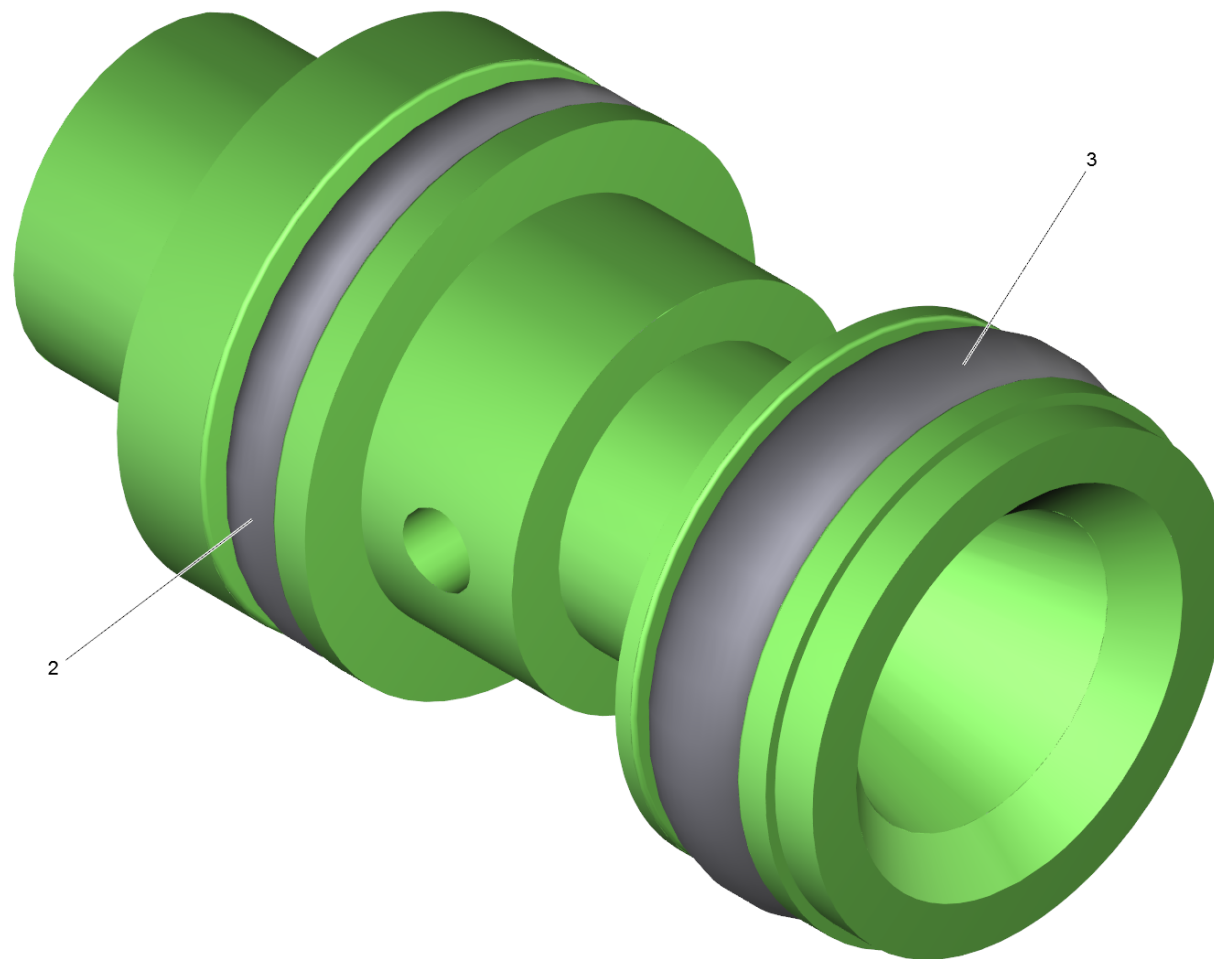
3 SPARE PARTS SET (2.883-988.0)

POS	Article no.	Description	Quantity	Unit
1	5.110-947.0	Sleeve	1	PC
3	5.114-513.0	Supportring	1	PC
5	5.332-511.0	Helical spring	1	PC
6	5.367-030.0	Diaphragm	1	PC
9	6.288-044.0	Silicon grease 100 G	1	PC
10	6.363-615.0	O-Ring seal 11 x 1,5 -NBR70	1	PC
11	6.363-611.0	O-Ring seal 8,73 x 1,78 -NBR	1	PC
12	6.363-241.0	O-Ring seal 2,90x1,78	1	PC



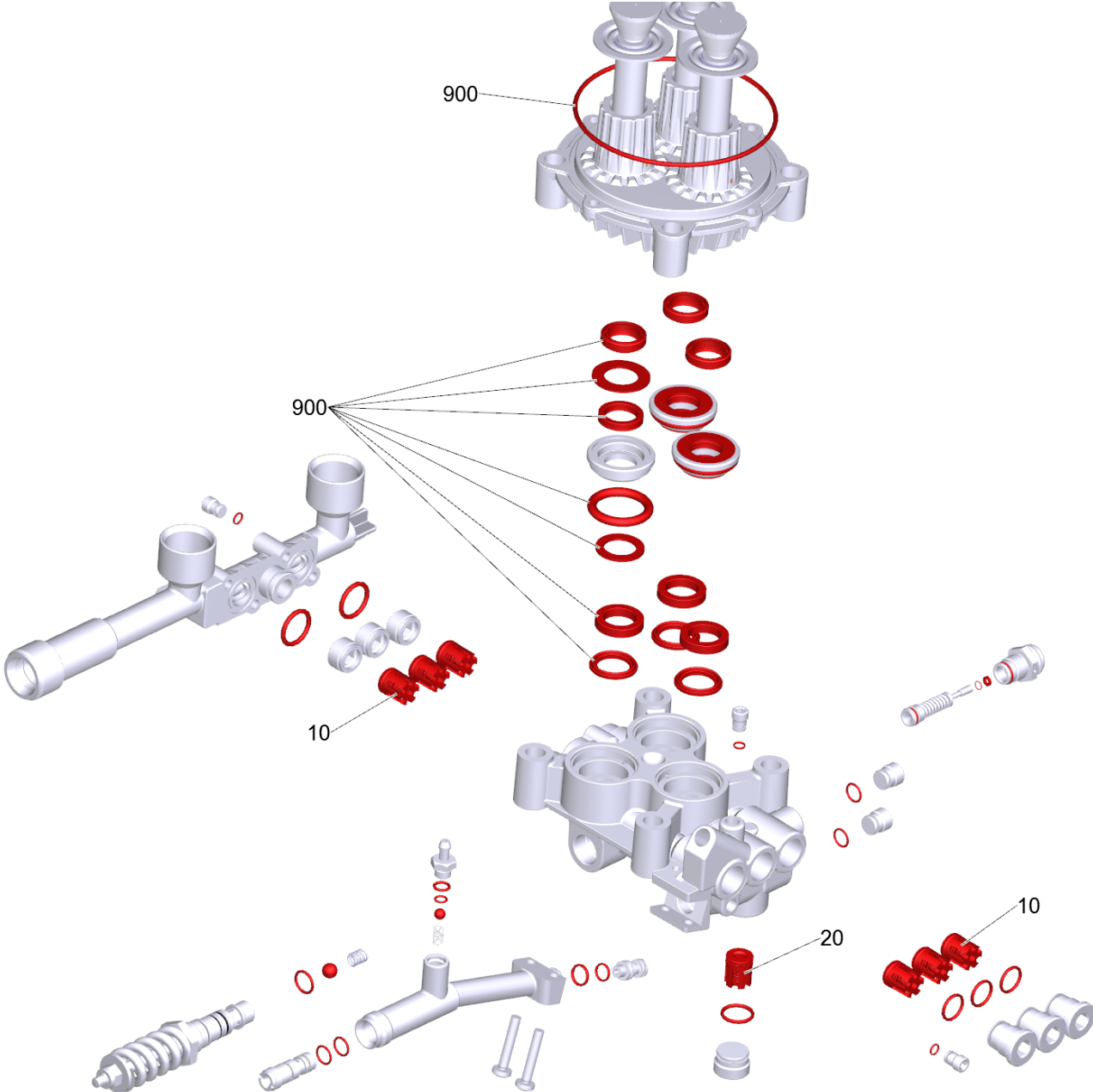
12 Overflow valve -nur fuer Ersatz- (2.885-129.0)

POS	Article no.	Description	Quantity	Unit
7	5.114-511.0	Supportring	1	PC
8	6.363-244.0	O-Ring seal 12.42x1.78	1	PC



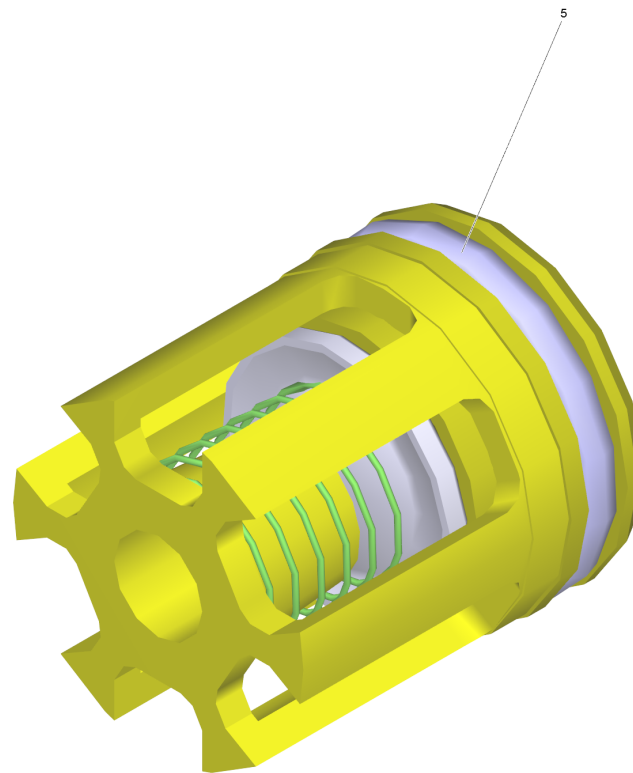
28 Nozzle insert complete (4.769-000.0)

POS	Article no.	Description	Quantity	Unit
2	6.362-384.0	O-Ring seal 9x1,5 - NBR 70	1	PC
3	6.363-282.0	O-Ring seal 6,3x2,4-NBR 70	1	PC



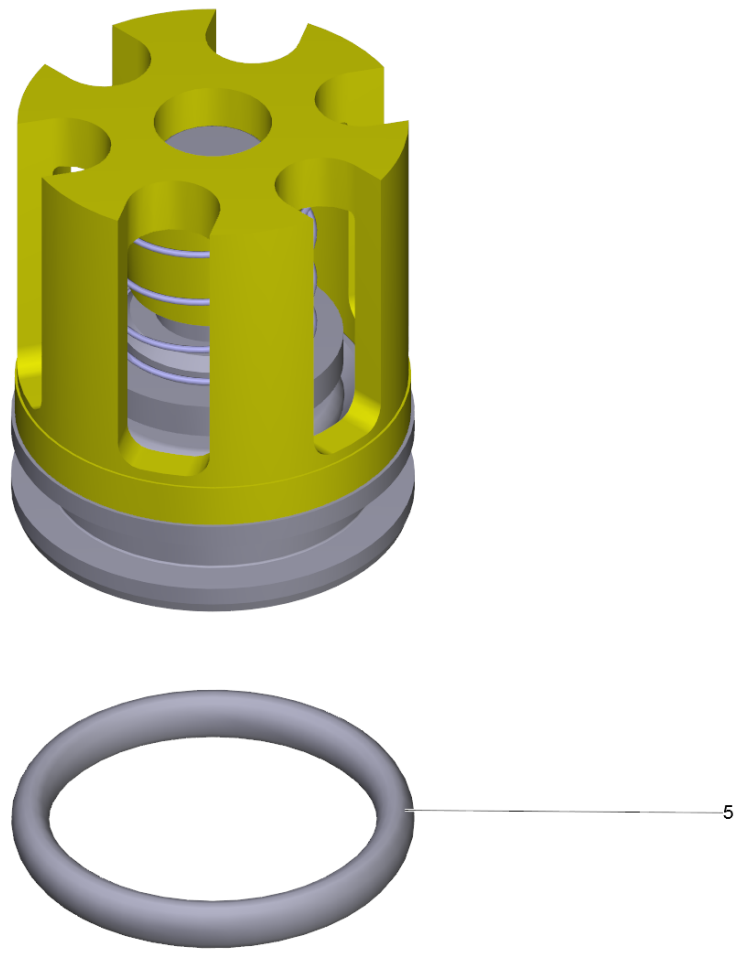
100 PUMP SET HD 1095 (2.883-902.0)

POS	Article no.	Description	Quantity	Unit
10	2.884-512.0	Valve (3 Stueck)	2	PC
20	4.580-594.0	Valve complete	1	PC
900	4.100-769.0	Set of gaskets	1	PC



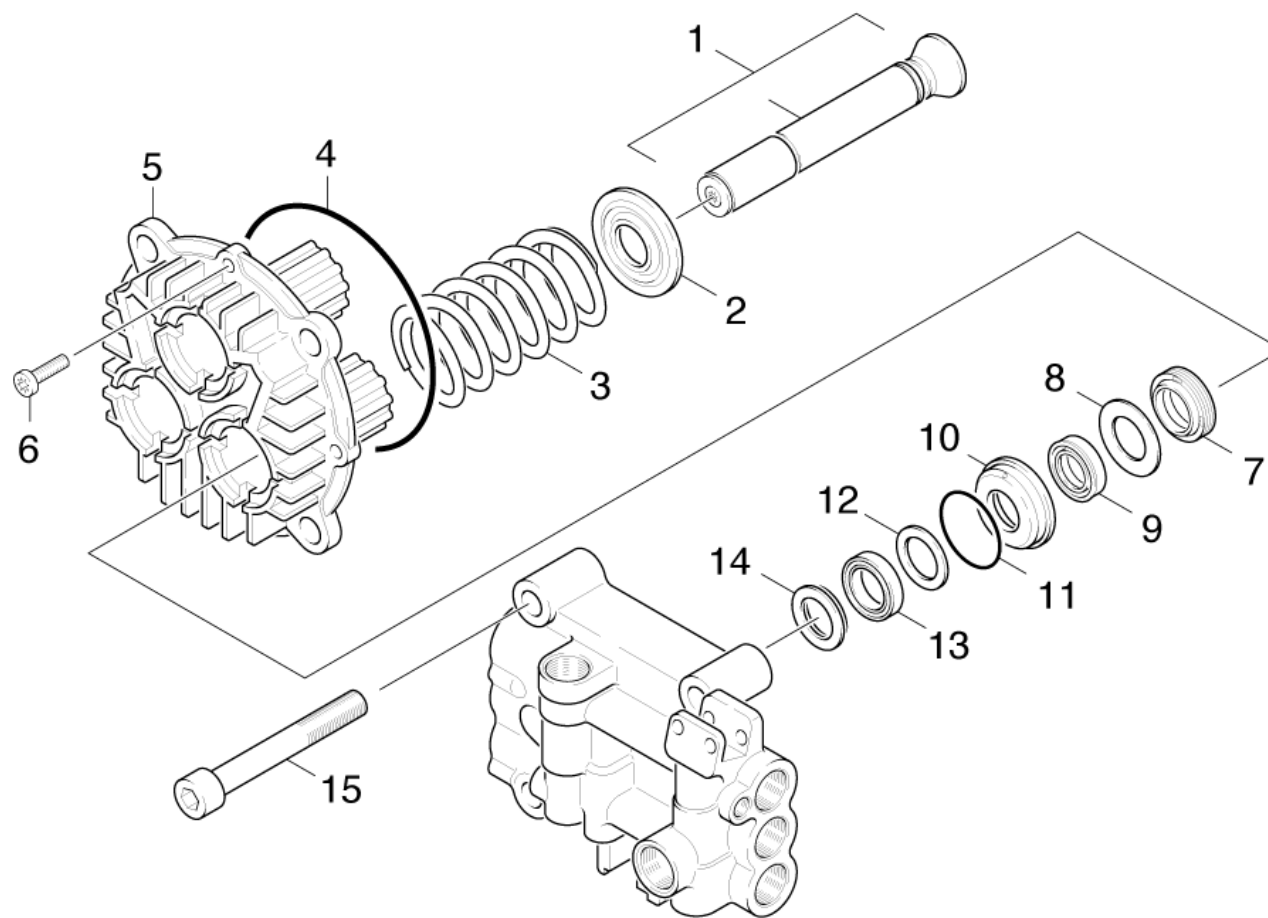
10 Valve (3 Stueck) (2.884-512.0)

POS	Article no.	Description	Quantity	Unit
5	6.363-003.0	O-Ring seal 13,0 X 2,0-NBR 90	1	PC



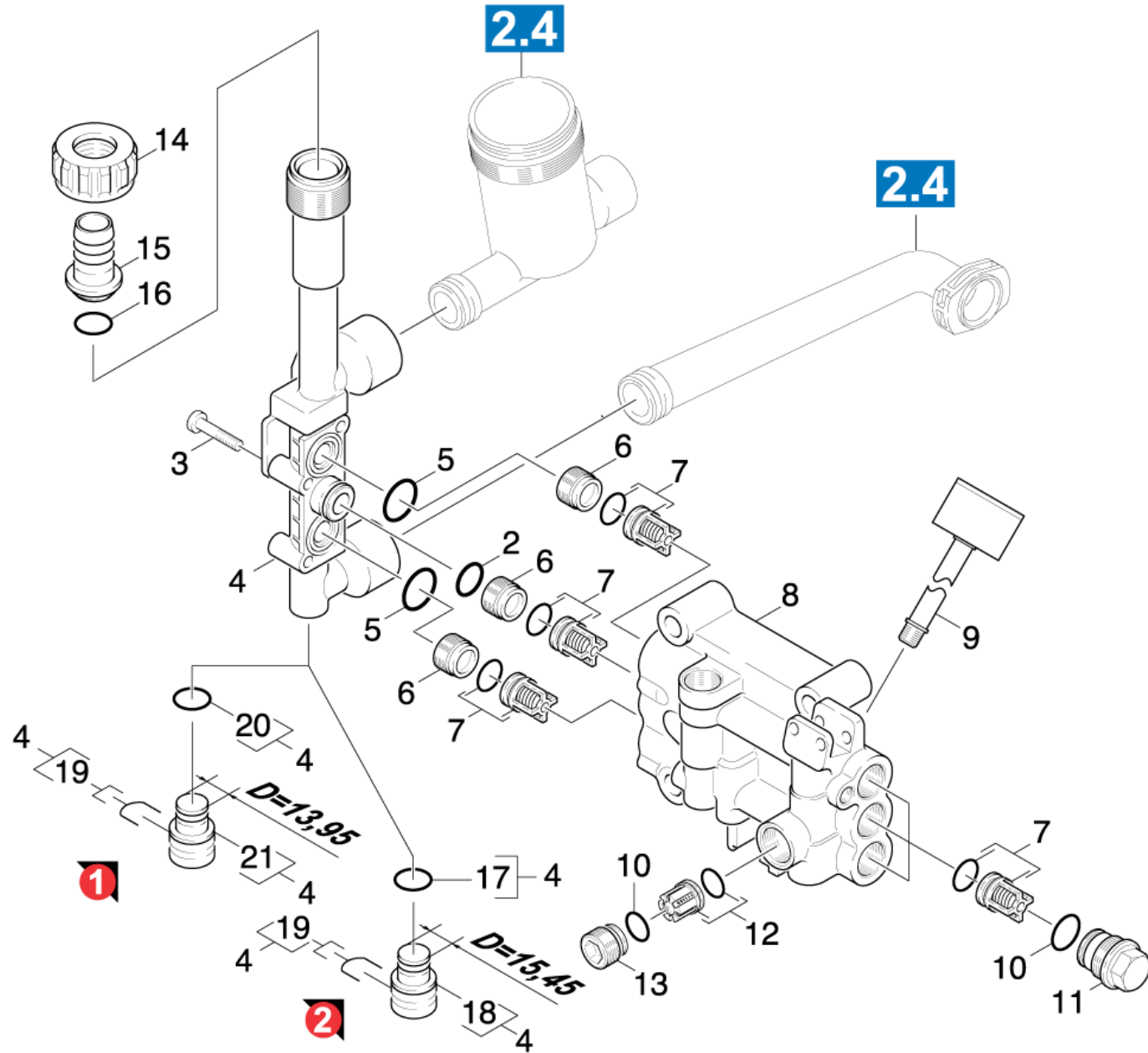
20 Valve complete (4.580-594.0)

POS	Article no.	Description	Quantity	Unit
5	6.362-381.0	O-Ring seal 13x2 - NBR 70	1	PC



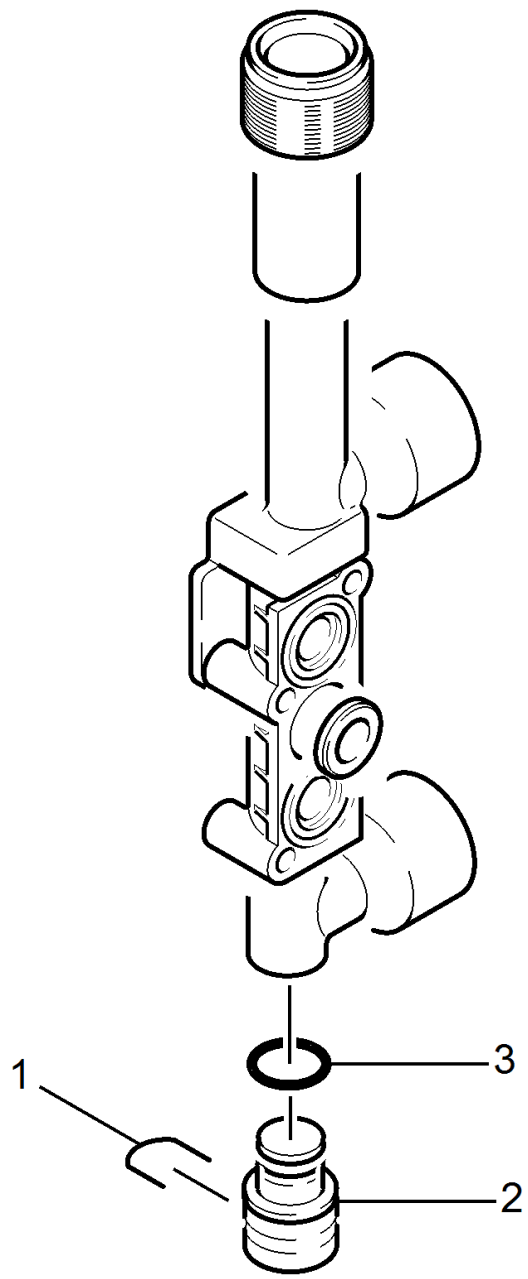
22 Piston

POS	Article no.	Description	Quantity	Unit
1	4.553-282.0	Piston complete only for replacement	3	PC
2	5.115-991.0	Washer	3	PC
3	5.332-187.0	Helical spring	3	PC
4		Part at pump set	1	PC
5	5.060-936.3	Thrust guidance D 20	1	PC
6	7.306-094.0	Screw M6x25 -8.8-R3R (In6Rd)	2	PC
7		Part at pump set	3	PC
8		Part at pump set	3	PC
9		Part at pump set	3	PC
10	5.112-713.3	Bush	3	PC
11		Part at pump set	3	PC
12		Part at pump set	3	PC
13		Part at pump set	3	PC
14		Part at pump set	3	PC
15	7.306-430.0	Cylinder head screw M12x90- 10.9-A3K ISO 4762	4	PC



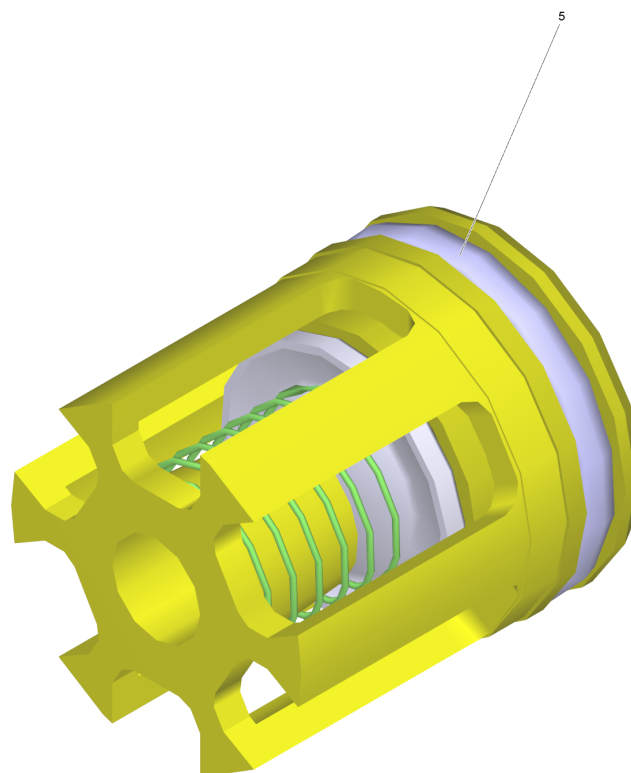
23 Valves

POS	Article no.	Description	Quantity	Unit	Remark
2	6.362-174.0	O-Ring seal 16,0 X 2,0-NBR 70	1	PC	
3	7.306-118.0	Screw M 6x35 -8.8-R3R (In6Rd)	4	PC	
4	4.427-216.0	Manifold complete	1	PC	
5	6.362-469.0	O-Ring seal 21,95X 1,78	2	PC	
6	5.583-177.0	Valve screw M20x1	3	PC	
7	2.884-512.0	Valve (3 Stueck)	1	PC	
8	2.885-130.0	Cylinder head -nur fuer Ersatz-	1	PC	
9	4.423-027.0	Pressure gauge 0-30 MPa - nur fuer Ersat	1	PC	
10	6.362-481.0	O-Ring seal 14,0 x 2,0 NBR 80	4	PC	
11	5.583-146.3	Valve screw	3	PC	
12	4.580-594.0	Valve complete	1	PC	
13	5.411-166.0	CLOSING SCREW	1	PC	
14	5.310-076.0	Nut	1	PC	
15	5.443-291.0	Hose stem	1	PC	
16	6.362-161.0	O-Ring seal 19,3 X 2,4	1	PC	
17	6.362-169.0	O-Ring seal 12,0 X 2,0	1	PC	
18	5.132-168.0	DRAIN PLUG	1	PC	D=15,45
19	5.037-101.0	Hook	1	PC	
20	6.362-151.0	O-Ring d. 10 x 2 NBR 70	1	PC	D=10
21	5.132-156.0	Drain plug water intake	1	PC	D=13,95



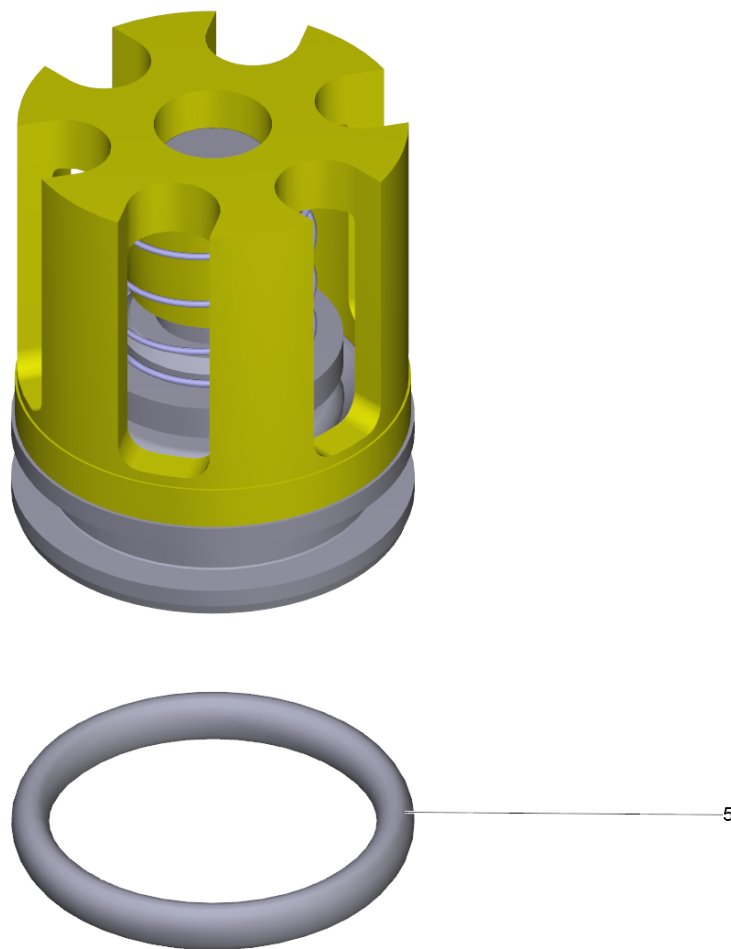
4 Manifold complete (4.427-216.0)

POS	Article no.	Description	Quantity	Unit
1	5.037-101.0	Hook	1	PC
2	5.132-168.0	DRAIN PLUG	1	PC
3	6.362-169.0	O-Ring seal 12,0 X 2,0	1	PC



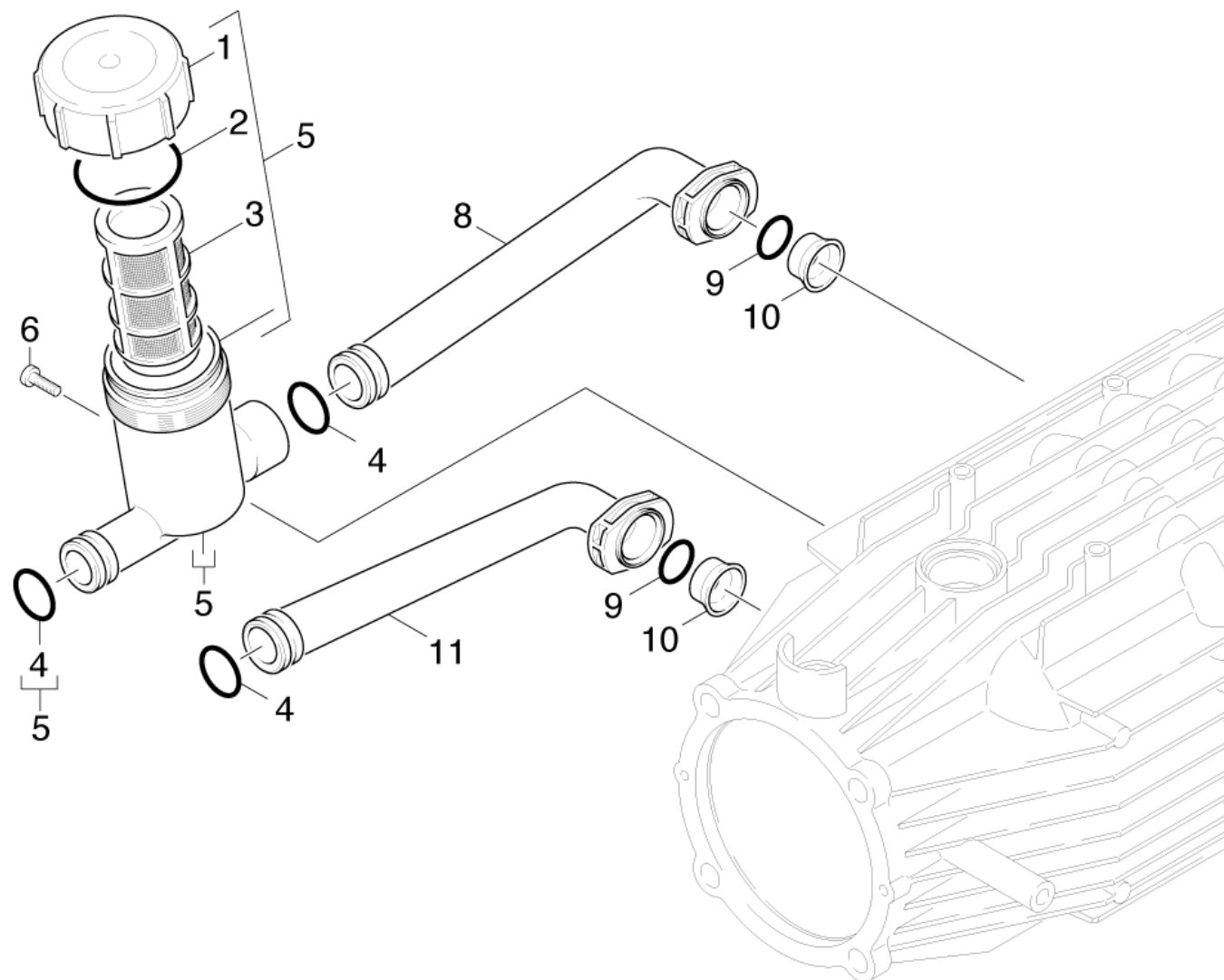
7 Valve (3 Stueck) (2.884-512.0)

POS	Article no.	Description	Quantity	Unit
5	6.363-003.0	O-Ring seal 13,0 X 2,0-NBR 90	1	PC



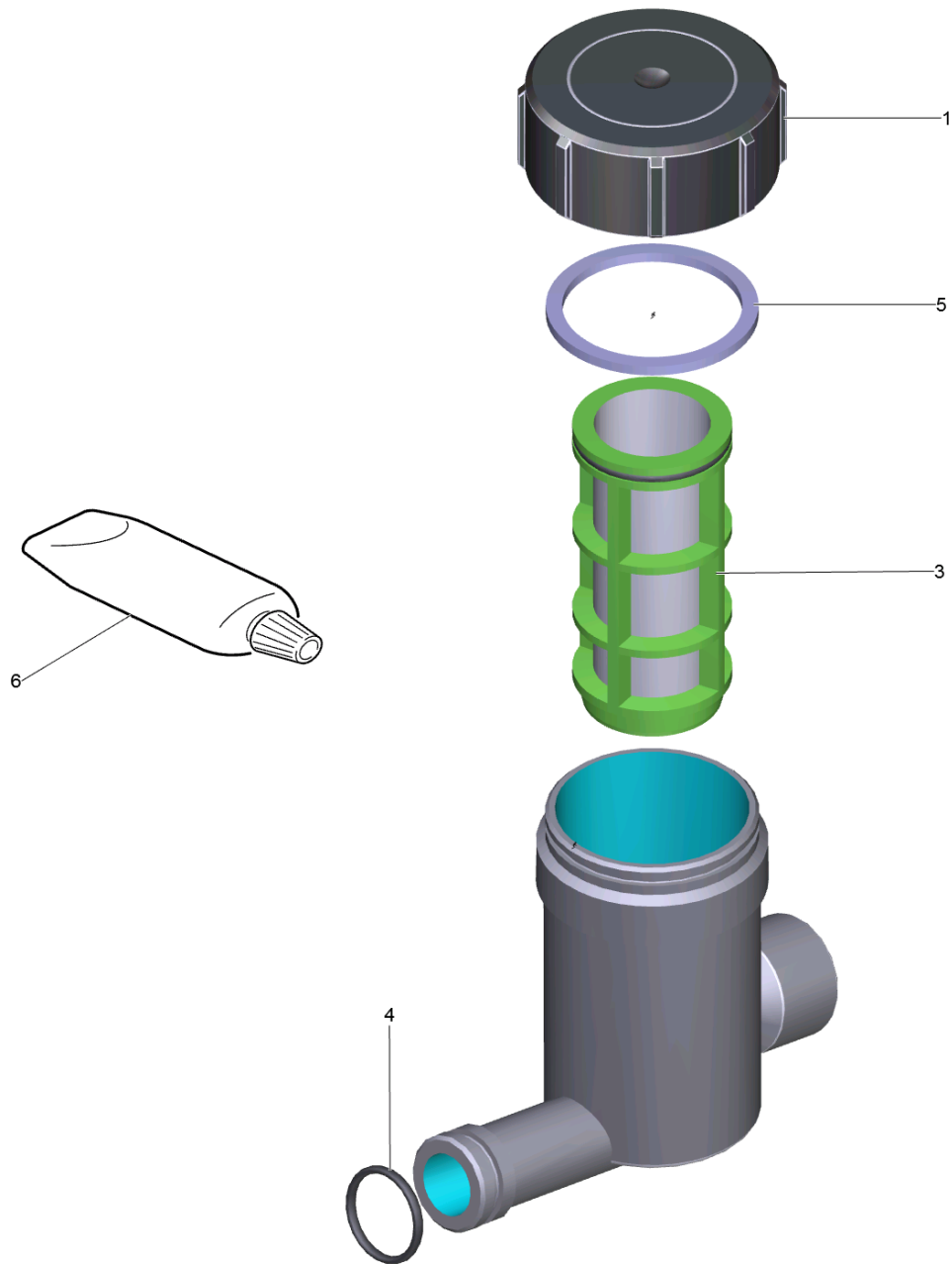
12 Valve complete (4.580-594.0)

POS	Article no.	Description	Quantity	Unit
5	6.362-381.0	O-Ring seal 13x2 - NBR 70	1	PC



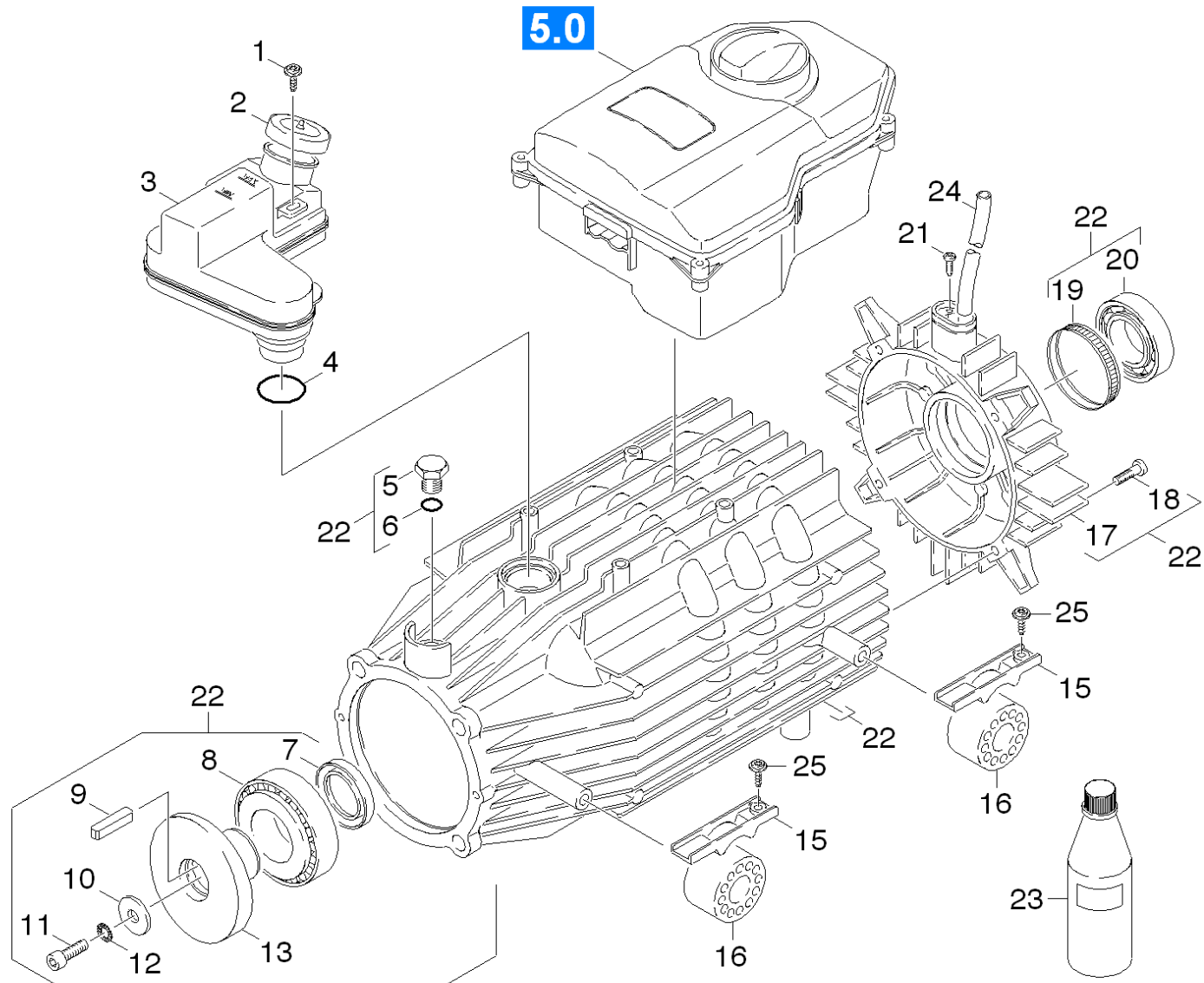
24 Water filter

POS	Article no.	Description	Quantity	Unit
1	5.064-107.0	Cover	1	PC
2	5.363-613.0	Seal	1	PC
3	6.414-681.0	Filter cartridge	1	PC
4	6.362-686.0	O-Ring seal 20,0 X 3,0	3	PC
5	4.730-161.0	Filter complete	1	PC
6	6.303-153.0	Screw M5x15-ST-R2R (IN6RD)	1	PC
8	5.427-307.0	Manifold	1	PC
9	6.362-579.0	O-Ring seal 17,5 X 3,5	2	PC
10	5.110-341.0	Sleeve	2	PC
11	5.427-298.0	Manifold short	1	PC



5 Filter complete (4.730-161.0)

POS	Article no.	Description	Quantity	Unit
1	5.064-453.0	Cover qusty grey	1	PC
3	6.414-681.0	Filter cartridge	1	PC
4	6.362-686.0	O-Ring seal 20,0 X 3,0	1	PC
5	5.363-613.0	Seal	1	PC
6	6.288-044.0	Silicon grease 100 G	1	PC



30 Motor

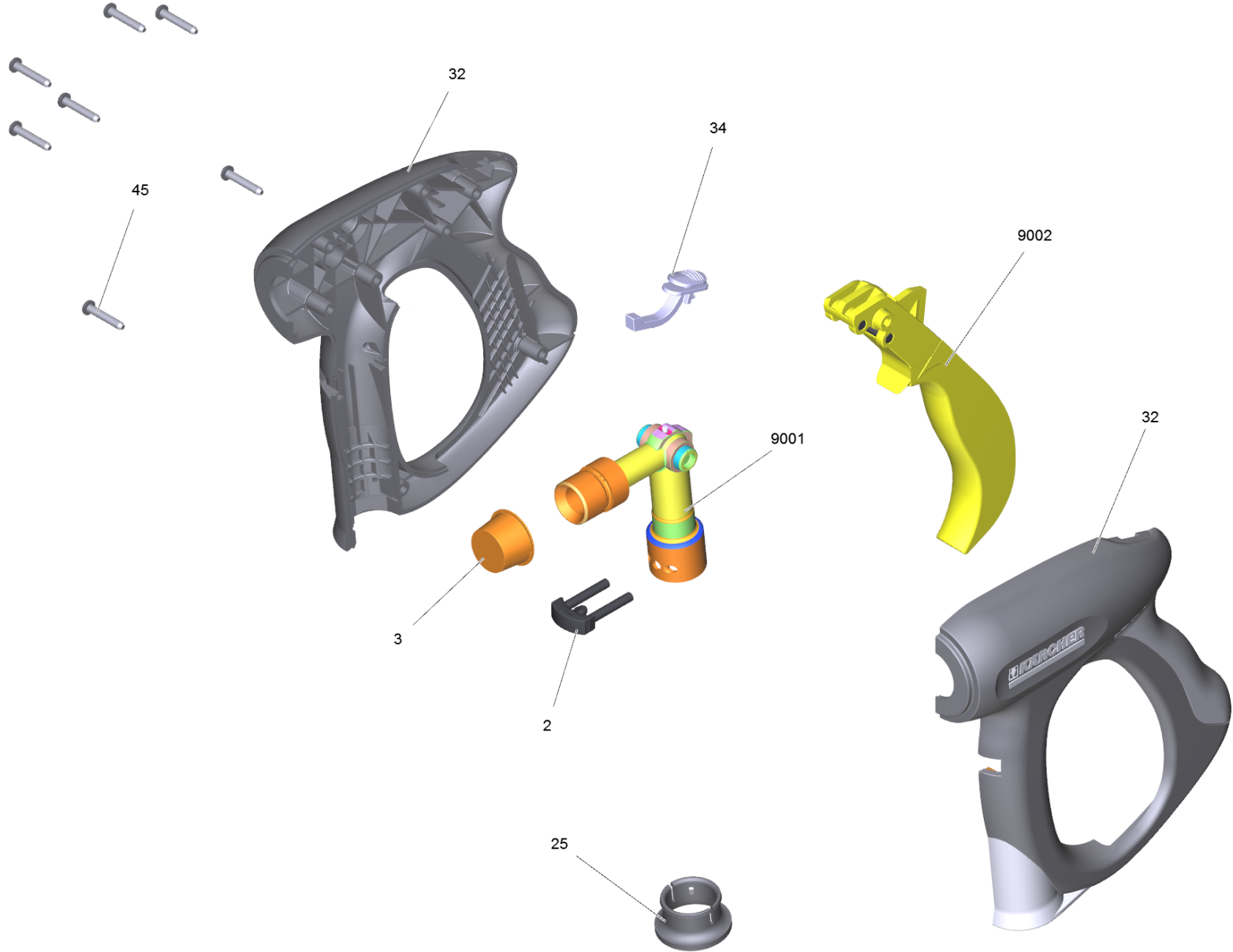
POS	Article no.	Description	Quantity	Unit	Foot note text
1	7.303-108.0	Screw 5x20 -10.9-R2R (In6Rd)	1	PC	
2	5.064-457.0	Cover plate qusty grey oil	1	PC	
3	5.070-604.0	Tank	1	PC	
4	6.362-526.0	O-Ring seal 29,1 X 2,55 -NBR 70	1	PC	
5	5.411-100.0	Screw plug	2	PC	
6	6.363-273.0	O-Ring seal 11,0 x 2,0	2	PC	
7	7.367-009.0	Radial shaft seal ring A35x52x7-NBR DIN	1	PC	
8	6.401-225.3	Taper roller bearing 41	1	PC	
9	7.318-035.0	Parallel key 8x7x25 -C45K DIN 6885-1	1	PC	
10	5.115-565.0	Washer	1	PC	
11	7.306-041.0	Cylinder head screw M8x20 -8.8-A2E ISO	1	PC	
12	7.312-159.0	Toothed lock washer A8,4-FSt-PH DIN 6797	1	PC	
13	4.120-240.0	Wobble plate -nur für Ersatz-	1	PC	
15	5.802-288.0	Mounting part	4	PC	
16	5.767-005.0	Rubber buffer	4	PC	
17	5.064-006.0	Bearing cover B	1	PC	
18	6.303-515.0	Self-tapping screw M6x25	4	PC	
19	6.343-010.0	Tolerance ring 62x10	1	PC	
20	6.401-253.0	Ball bearing 6305-2Z	1	PC	
21	7.303-031.0	Screw M4x10 -St-P2R (In6Rd)	1	PC	
22	4.623-457.0	Motor complete only for replacement	1	PC	
23	6.288-016.0	Gear oil 1L	2	PC	
24	6.642-011.0	Insulating hose 10	1	m	TO ORDER AS CUT GOODS
25	7.303-110.0	Screw 5x35 -10.9-R2R (In6Rd)	4	PC	

40 Accessories

POS	Description	Quantity	Unit
41	Hand trigger gun	1	PC
42	Jet pipe	1	PC
43	Nozzle	1	PC

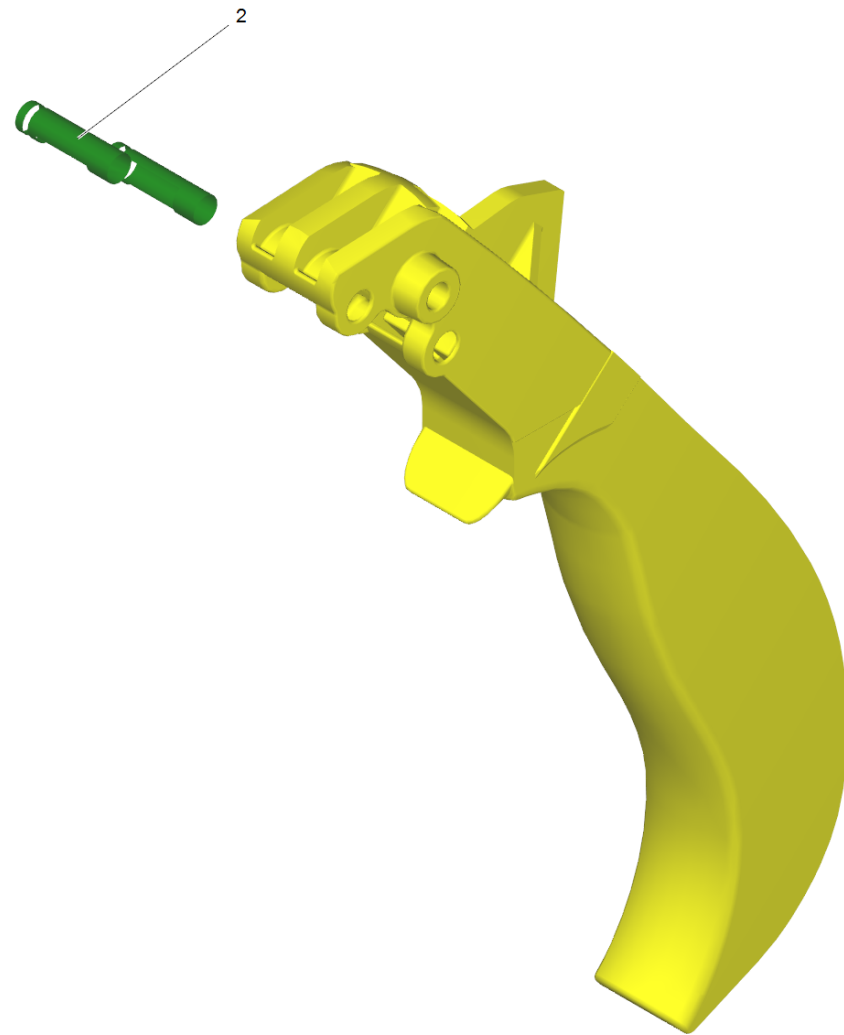
41 Hand trigger gun

POS	Article no.	Description	Quantity	Unit
1	4.775-463.0	HAND TRIGGER GUN EASY PRESS	1	PC
2	7.343-008.0	Locking ring 25x1,2-St-vz DIN 471	1	PC
3	5.321-668.0	Handle	1	PC
4	4.775-470.0	Rotary controller 416L	1	PC
5	6.391-351.0	Hose assembly only for replacement DN8 4	1	PC
6	4.363-691.0	O-Ring seal kpl. -nur fuer Ersatz-	1	PC
7	2.880-990.0	Spare part set O-Ring 5x -Kaercher	1	PC
8	4.427-215.0	Manifold complete only for replacement	1	PC
9	4.037-013.0	Hook	1	PC
10	5.321-669.3	Handhold few	1	PC
11	7.303-096.0	Screw 4x22 -ST-10.9-R2R (IN6RD)	7	PC
12	5.481-331.0	Slider	1	PC
13	4.481-209.0	Lever complete	1	PC
14	5.110-596.0	Sleeve	1	PC
15	4.363-692.0	Grooved ring kpl. -nur fuer Ersatz-	1	PC



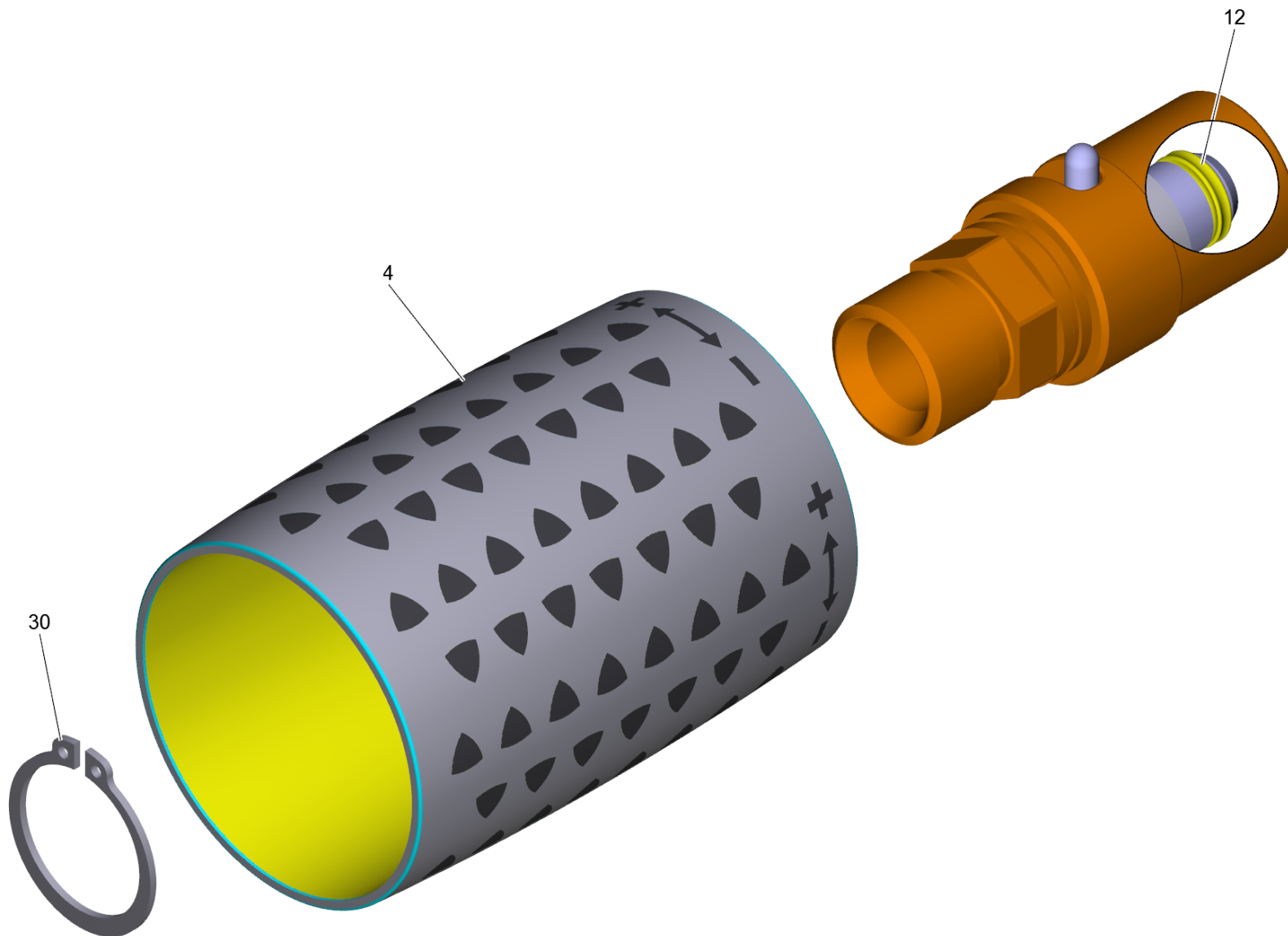
1 HAND TRIGGER GUN EASY PRESS (4.775-463.0)

POS	Article no.	Description	Quantity	Unit
2	4.037-013.0	Hook	1	PC
3	6.368-012.0	Protecting cap 22X1,5	1	PC
4	6.869-075.0	Metal bonding agent 1,5 ml	1	PC
cart_info_txt: This material is not available due to hazardous good regulation. Please procure this or a similar material from a local supplier of your choice.				
25	5.110-596.0	Sleeve	1	PC
32	5.321-669.3	Handhold few	1	PC
34	5.481-331.0	Slider	1	PC
45	7.303-096.0	Screw 4x22 -ST-10.9-R2R (IN6RD)	7	PC
1041	6.288-044.0	Silicon grease 100 G	1	PC
9001	4.427-215.0	Manifold complete only for replacement	1	PC
9002	4.481-209.0	Lever complete	1	PC



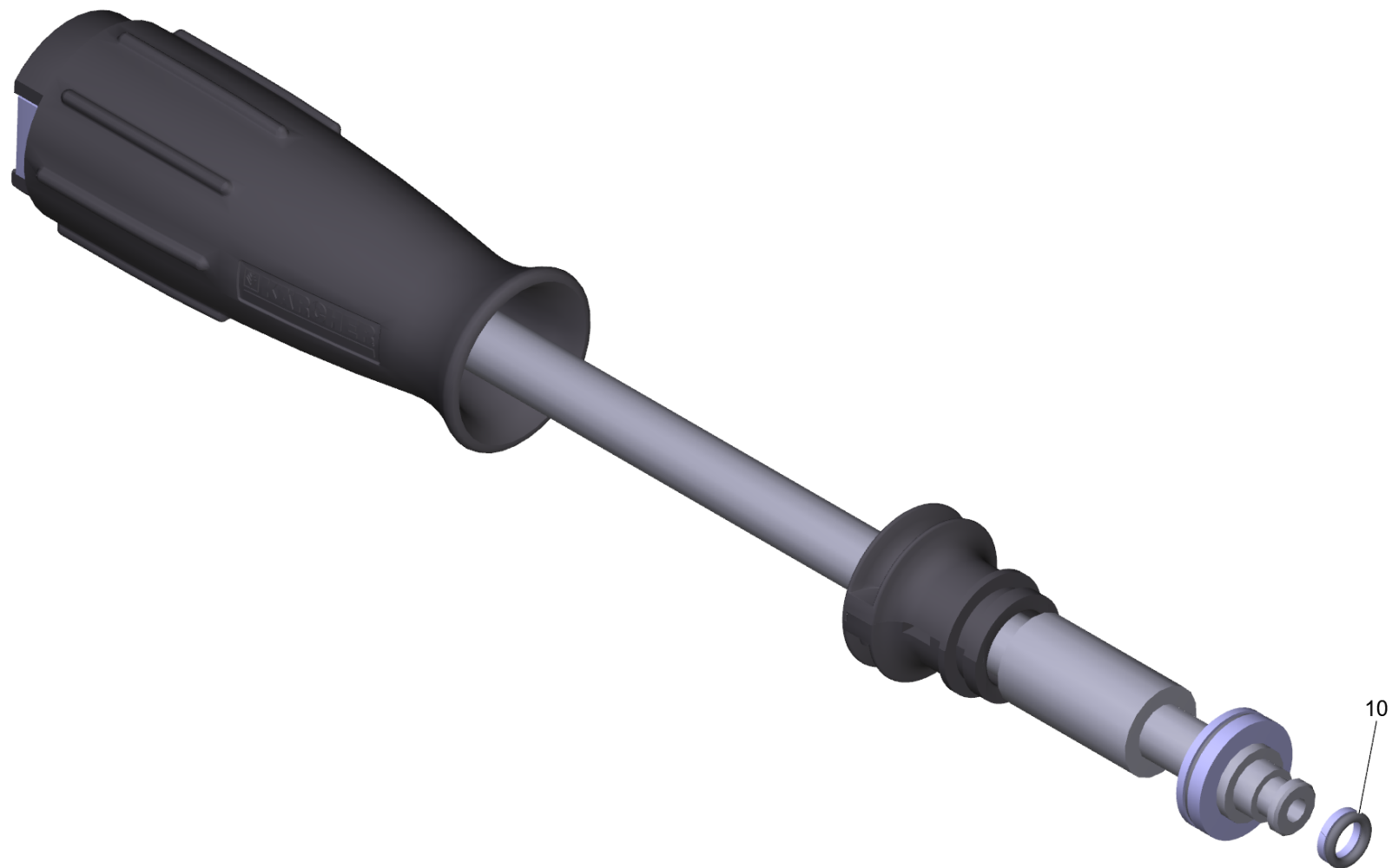
9002 Lever complete (4.481-209.0)

POS	Article no.	Description	Quantity	Unit
2	5.314-119.0	Pin	2	PC



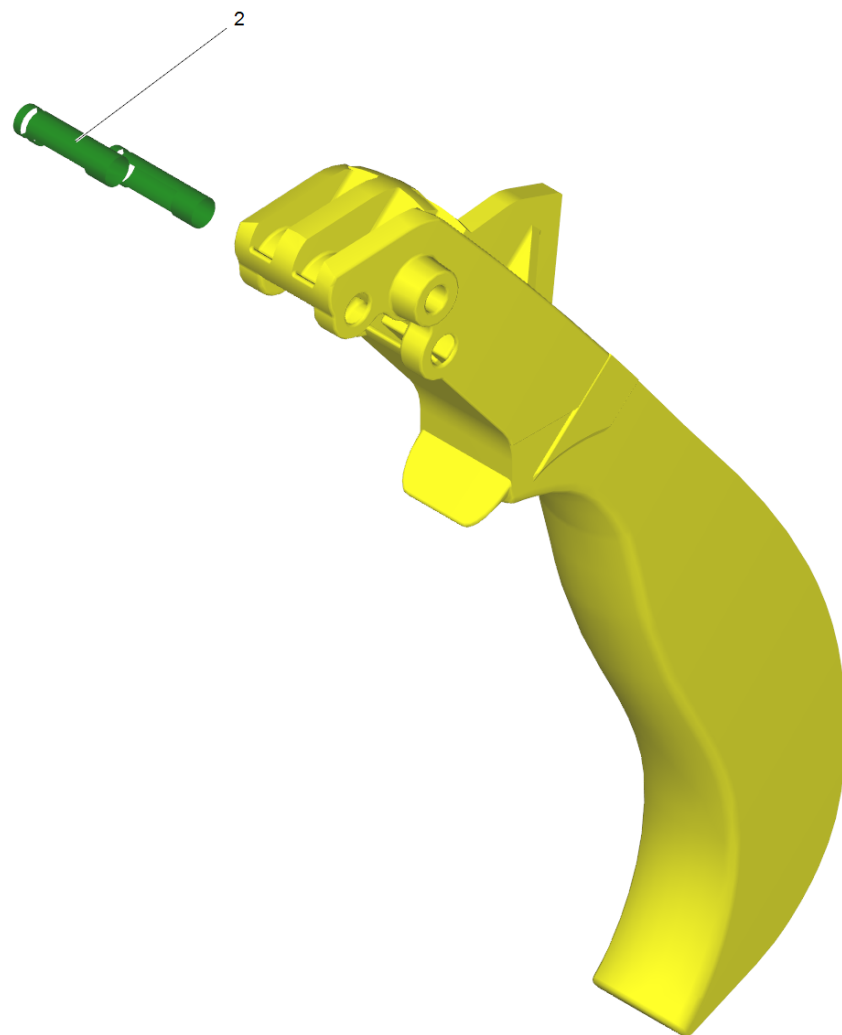
4 Rotary controller 416L (4.775-470.0)

POS	Article no.	Description	Quantity	Unit
4	5.321-668.0	Handle	1	PC
12	2.880-001.0	Spare part set seals TR	1	PC
30	7.343-069.0	Locking ring 25x1,2-1.4122 DIN 471	1	PC



5 Hose assembly only for replacement DN8 4 (6.391-351.0)

POS	Article no.	Description	Quantity	Unit
10	4.363-691.0	O-Ring seal kpl. -nur fuer Ersatz-	1	PC

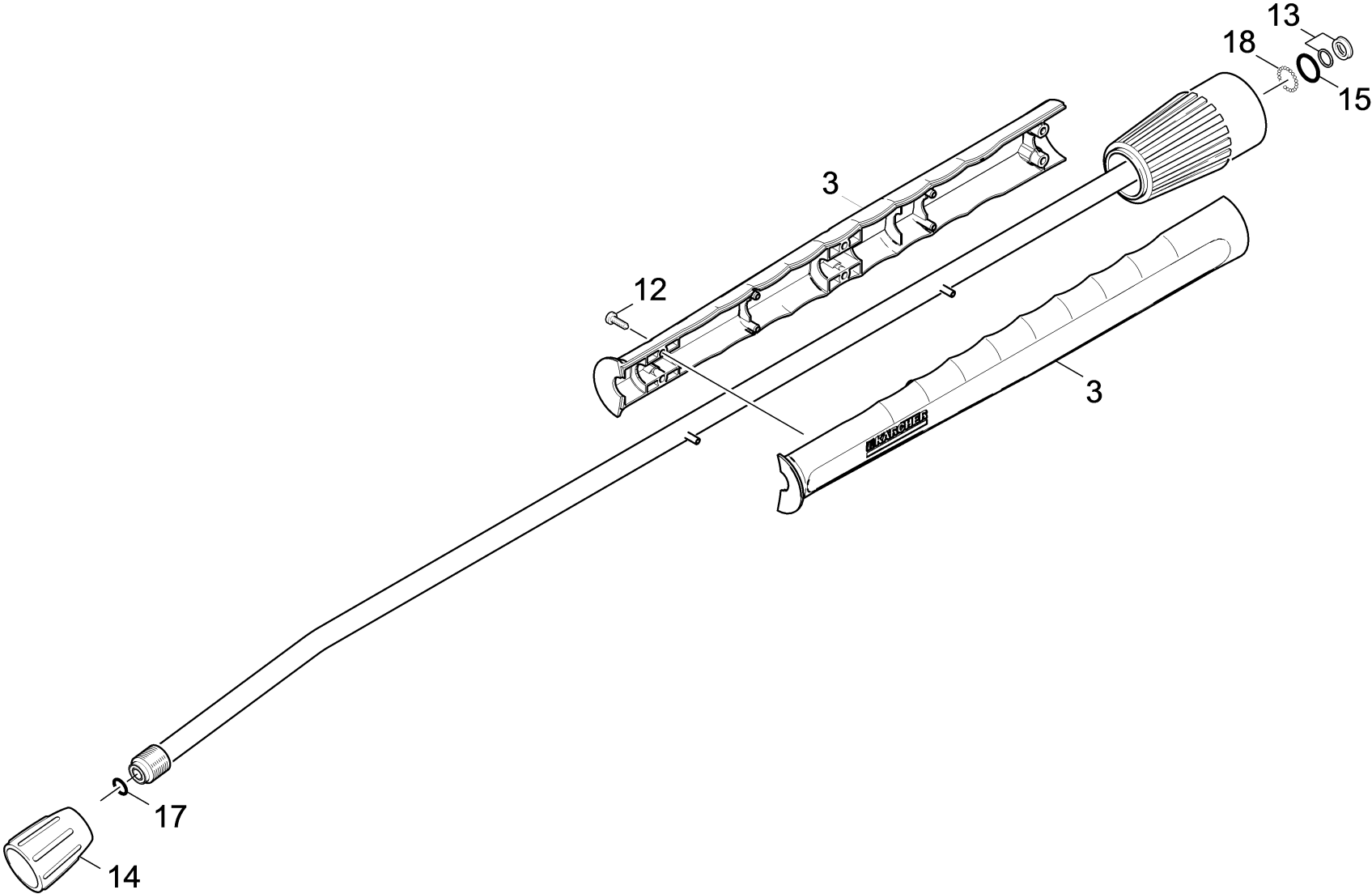


13 Lever complete (4.481-209.0)

POS	Article no.	Description	Quantity	Unit
2	5.314-119.0	Pin	2	PC

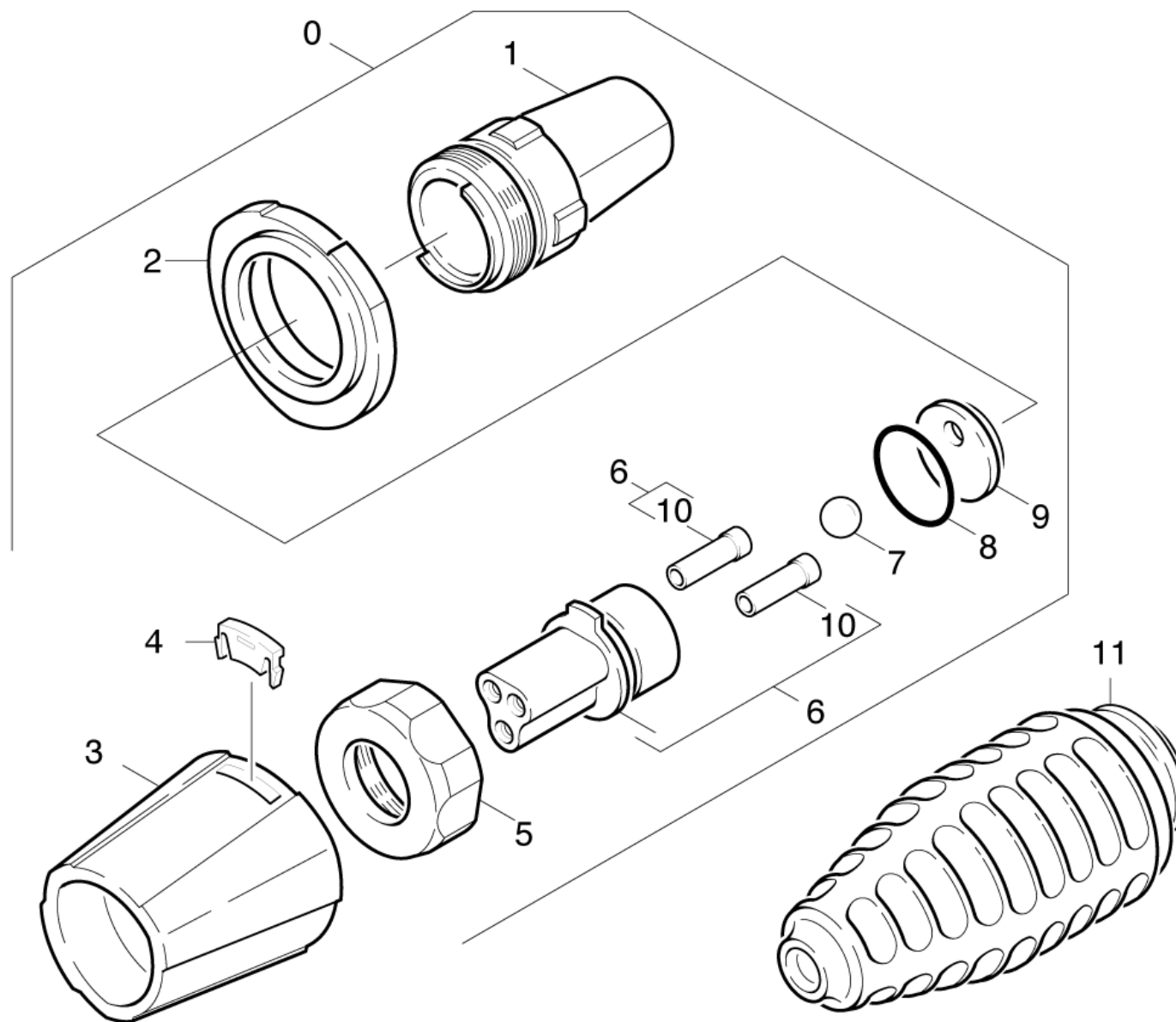
42 Jet pipe

POS	Article no.	Description	Quantity	Unit	Remark
1	4.760-660.0	Jet pipe packaged only for replacement	1	PC	
2	7.303-129.0	Screw 4x16 -10.9-R2R (K-In6Rd)	6	PC	
3	5.321-691.0	Handhold few jet pipe	1	PC	VERSION 1
3	5.321-855.0	Handhold few jet pipe with welding bolt	1	PC	VERSION 2
4	2.880-990.0	Spare part set O-Ring 5x -Kaercher	1	PC	
5	7.401-915.0	Sphere 2,5 G40 -1.4034 DIN 5401	20	PC	
6	4.363-692.0	Grooved ring kpl. -nur fuer Ersatz-	1	PC	
7	6.362-524.0	O-Ring seal 17,0 X 1,5	1	PC	
8	5.401-129.0	Screw connector part	1	PC	



1 Jet pipe packaged only for replacement (4.760-660.0)

POS	Article no.	Description	Quantity	Unit
3	5.321-855.0	Handhold few jet pipe with welding bolt	1	PC
12	7.303-129.0	Screw 4x16 -10.9-R2R (K-In6Rd)	6	PC
13	4.363-692.0	Grooved ring kpl. -nur fuer Ersatz-	1	PC
14	5.401-210.0	Screw connector part	1	PC
15	6.362-524.0	O-Ring seal 17,0 X 1,5	1	PC
17	2.880-990.0	Spare part set O-Ring 5x -Kaercher	1	PC
18	7.401-915.0	Sphere 2,5 G40 -1.4034 DIN 5401	1	PC



43 Nozzle

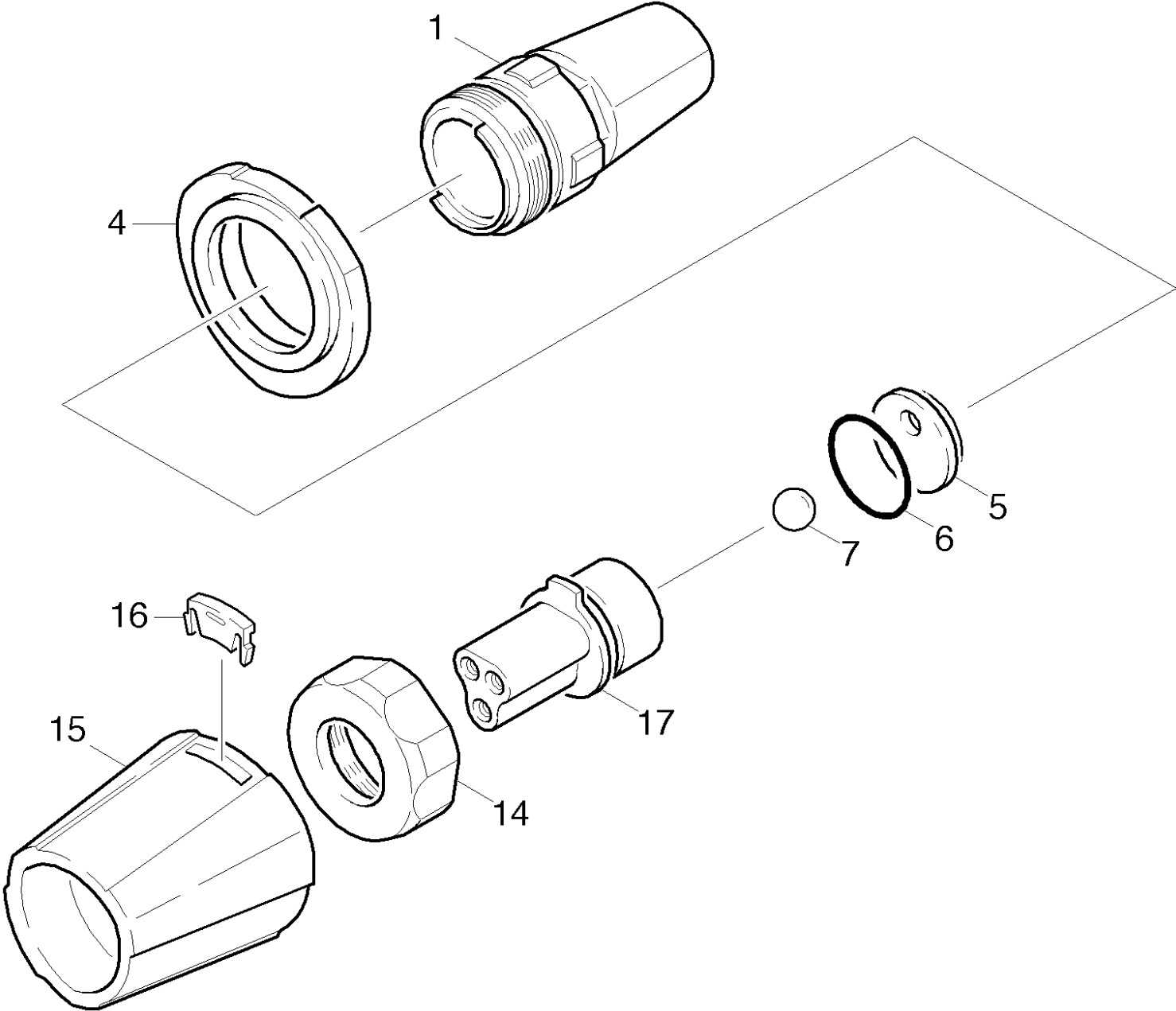
POS	Article no.	Description	Quantity	Unit
0	4.767-064.0	Triple jet nozzle with packing 047	1	PC
	Item text1: 1.286-101.0 /-104.0 /-201.0			
0	4.767-065.0	Triple jet nozzle with packing 05	1	PC
	Item text1: 1.286-102.0 /-202.0			
1	4.060-395.0	Housing complete only for replacement	1	PC
2	5.394-401.0	Protection part	1	PC
3	5.394-402.0	Protection part	1	PC
4	5.031-709.0	Moulded part	1	PC
5	5.311-192.0	Union nut	1	PC
6	4.764-157.0	Nozzle holder 047	1	PC
	Item text1: / 1.286-101.0 / -104.0 / -201.0			
6	4.764-158.0	Nozzle holder 05	1	PC
	Item text1: / 1.286-102.0 / -202.0			
7	7.401-917.0	Sphere 10,0 G100-1.4301 DIN 5401	1	PC
8	6.363-612.0	O-Ring seal 22 x 2 -NBR90	1	PC
9	5.031-370.0	Moulded part	1	PC
10	5.031-597.0	Rectifier	2	PC
11	4.763-253.0	Dirt blaster 05	1	PC
	Item text1: / 1.286-201.0 / -202.0			

Triple jet nozzle with packing 047 (4.767-064.0)

POS	Article no.	Description	Quantity	Unit
2	5.970-000.0	Spare parts list triple jet nozzle	1	PC
Item text2: 47670640				

2 Spare parts list triple jet nozzle (5.970-000.0)

POS	Description	Quantity	Unit
10	Triple jet nozzle	1	PC



10 Triple jet nozzle

POS	Article no.	Description	Quantity	Unit	Remark
1	4.060-395.0	Housing complete only for replacement	1	PC	
4	5.394-401.0	Protection part	1	PC	
5	5.031-370.0	Moulded part	1	PC	
6	6.363-612.0	O-Ring seal 22 x 2 -NBR90	1	PC	
7	7.401-917.0	Sphere 10,0 G100-1.4301 DIN 5401	1	PC	
14	5.311-192.0	Union nut	1	PC	
15	5.394-402.0	Protection part	1	PC	
16	5.031-709.0	Moulded part	1	PC	
17	4.764-157.0	Nozzle holder 047	1	PC	4.767-064.0
17	4.764-158.0	Nozzle holder 05	1	PC	4.767-065.0
17	4.764-159.0	Nozzle holder 055	1	PC	4.767-066.0
17	4.764-161.0	Nozzle holder 08	1	PC	4.767-068.0
17	4.764-169.0	Nozzle holder 09	1	PC	4.767-075.0
17	4.764-173.0	Nozzle holder 0100	1	PC	4.767-106.0
17	7.777-999.0	Stockpiling discontinued	1	PC	4.767-067.0/-069.0

17 Nozzle holder 055 (4.764-159.0)

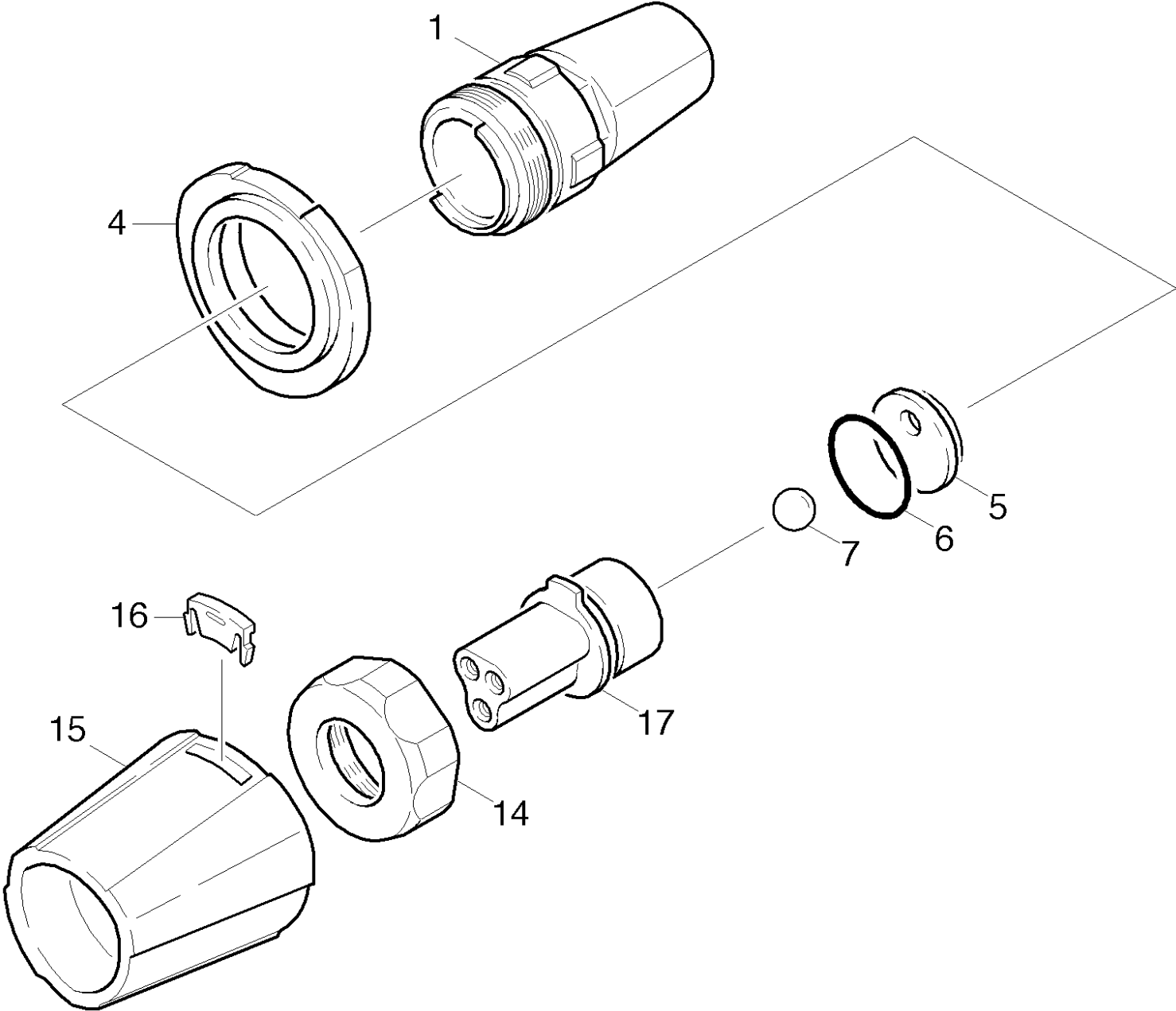
POS	Article no.	Description	Quantity	Unit
1	5.031-597.0	Rectifier	2	PC
	Item text2: 47641590			
7	6.362-661.0	O-Ring seal 5,0 X 1,0-NBR 80	3	PC
	Item text2: 47641590			
8	6.363-612.0	O-Ring seal 22 x 2 -NBR90	1	PC
	Item text2: 47641590			

Triple jet nozzle with packing 05 (4.767-065.0)

POS	Article no.	Description	Quantity	Unit
2	5.970-000.0	Spare parts list triple jet nozzle	1	PC
Item text2: 47670650				

2 Spare parts list triple jet nozzle (5.970-000.0)

POS	Description	Quantity	Unit
10	Triple jet nozzle	1	PC



10 Triple jet nozzle

POS	Article no.	Description	Quantity	Unit	Remark
1	4.060-395.0	Housing complete only for replacement	1	PC	
4	5.394-401.0	Protection part	1	PC	
5	5.031-370.0	Moulded part	1	PC	
6	6.363-612.0	O-Ring seal 22 x 2 -NBR90	1	PC	
7	7.401-917.0	Sphere 10,0 G100-1.4301 DIN 5401	1	PC	
14	5.311-192.0	Union nut	1	PC	
15	5.394-402.0	Protection part	1	PC	
16	5.031-709.0	Moulded part	1	PC	
17	4.764-157.0	Nozzle holder 047	1	PC	4.767-064.0
17	4.764-158.0	Nozzle holder 05	1	PC	4.767-065.0
17	4.764-159.0	Nozzle holder 055	1	PC	4.767-066.0
17	4.764-161.0	Nozzle holder 08	1	PC	4.767-068.0
17	4.764-169.0	Nozzle holder 09	1	PC	4.767-075.0
17	4.764-173.0	Nozzle holder 0100	1	PC	4.767-106.0
17	7.777-999.0	Stockpiling discontinued	1	PC	4.767-067.0/-069.0

17 Nozzle holder 055 (4.764-159.0)

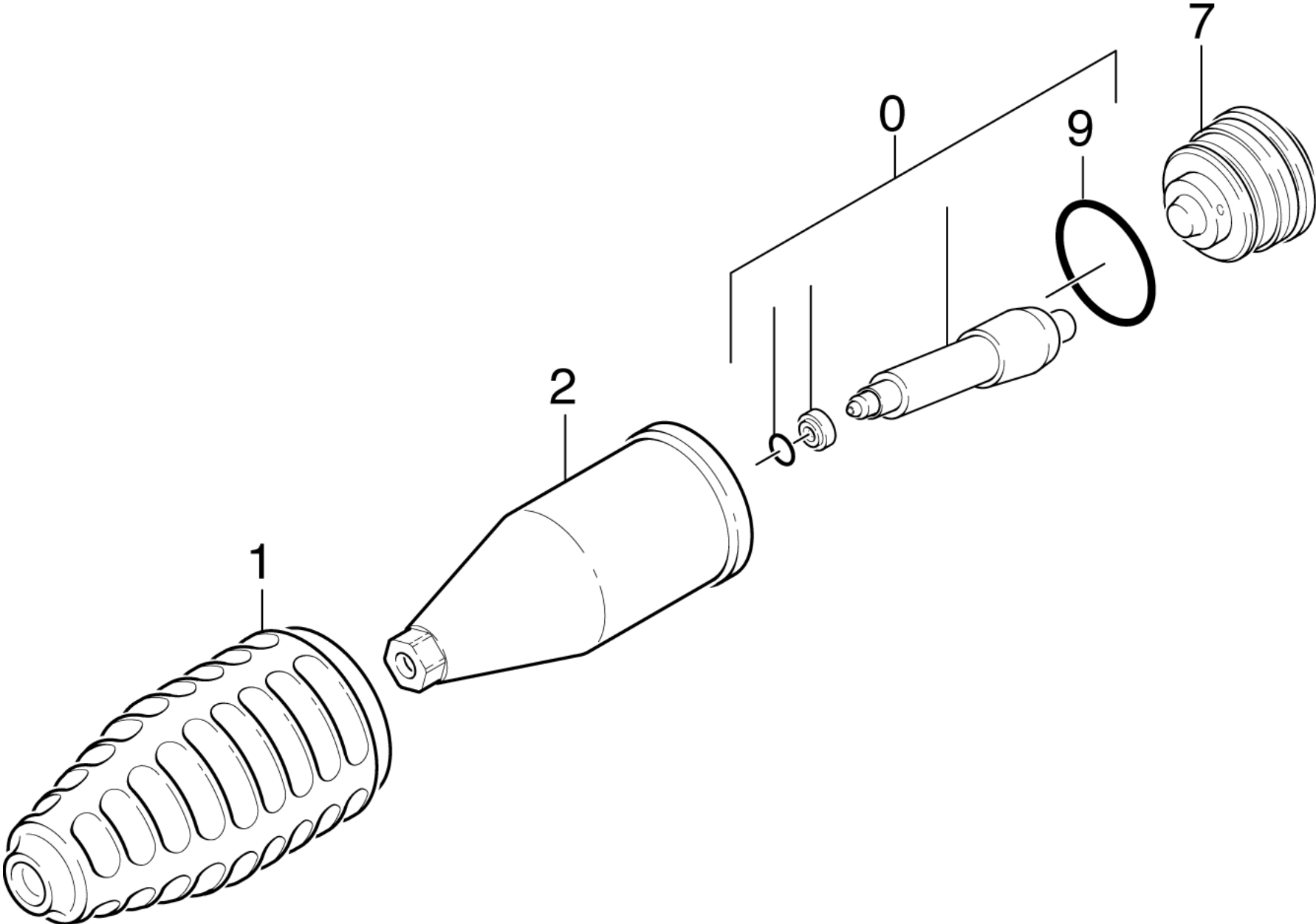
POS	Article no.	Description	Quantity	Unit
1	5.031-597.0	Rectifier	2	PC
	Item text2: 47641590			
7	6.362-661.0	O-Ring seal 5,0 X 1,0-NBR 80	3	PC
	Item text2: 47641590			
8	6.363-612.0	O-Ring seal 22 x 2 -NBR90	1	PC
	Item text2: 47641590			

11 Dirt blaster 05 (4.763-253.0)

POS	Article no.	Description	Quantity	Unit
11	5.955-641.0	Spare parts list dirt blaster	1	PC

11 Spare parts list dirt blaster (5.955-641.0)

POS	Description	Quantity	Unit
10	Dirt blaster	1	PC

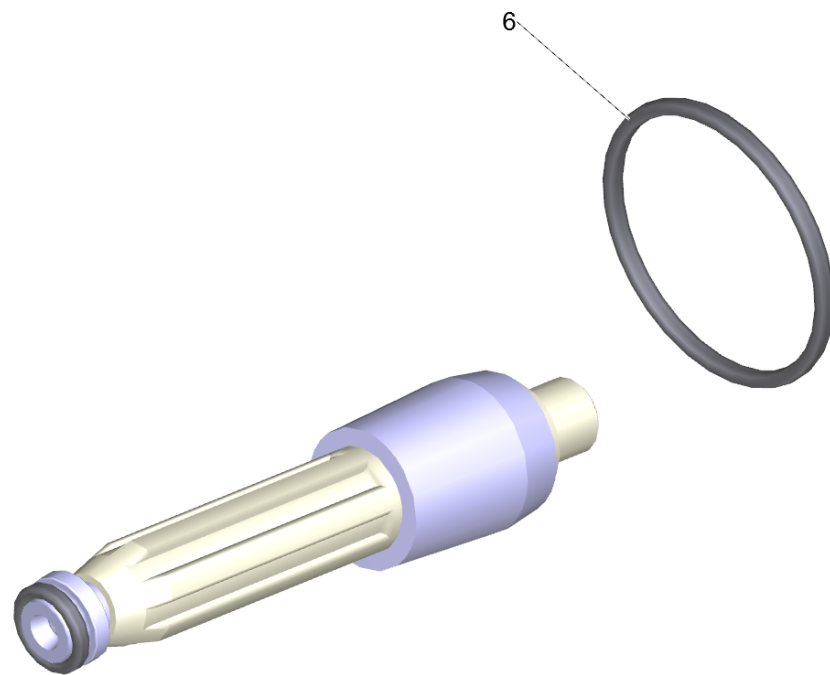


10 Dirt blaster

POS	Article no.	Description	Quantity	Unit	Remark
0	2.881-025.0	Spare part set rotor 170	1	PC	4.764-201.0
0	2.884-052.0	Spare part set dirt blaster 035	1	PC	4.763-931.0
		Item text1: / 4.763-931.0			
0		Spare part set rotor 125	1	PC	4.764-204.0
0	2.884-316.0	Spare part set dirt blaster 09	1	PC	
		Item text1: / 4.767-076.0			
0	2.884-114.0	Spare part set dirt blaster 065	1	PC	4.763-989.0
		Item text1: / 4.763-989.0			
0	2.884-113.0	Spare part set dirt blaster 045	1	PC	4.763-988.0
		Item text1: / 4.763-988.0			
0	2.885-196.0	Spare parts set rotor 100	1	PC	4.764-208.0
0	2.884-051.0	Spare part set dirt blaster 120	1	PC	4.763-930.0
		Item text1: / 4.763-930.0			
0	2.883-474.0	Spare part set dirt blaster 07/08-HDS 8	1	PC	4.763-254.0
		Item text1: / 4.763-254.0			
0	2.883-473.0	Spare part set dirt blaster 055/06	1	PC	4.763-250.0
		Item text1: / 4.763-250.0			
0	2.883-472.0	Spare part set dirt blaster 05	1	PC	4.763-253.0
		Item text1: / 4.763-253.0			
0	2.883-471.0	Spare part set dirt blaster 04-HD 1050	1	PC	4.763-252.0
		Item text1: / 4.763-252.0			
1	5.394-375.0	Protection part	1	PC	
2	5.060-500.3	Housing	1	PC	
7	5.063-618.0	Cover DGR F 055/F 06	1	PC	4.763-250/-938
		Item text1: / 4.763-250.0			
7	5.063-626.0	Cover DGR F 04	1	PC	4.763-252/-936
		Item text1: / 4.763-252.0			
7	5.063-647.0	Cover DGR F 05	1	PC	
		Item text1: / 4.763-253.0			
7	5.063-648.0	Cover DGR F 70/F 08	1	PC	
		Item text1: / 4.763-254.0 / 4.767-076.0			
7	5.063-708.0	Cover	1	PC	
		Item text1: / 4.763-930.0			

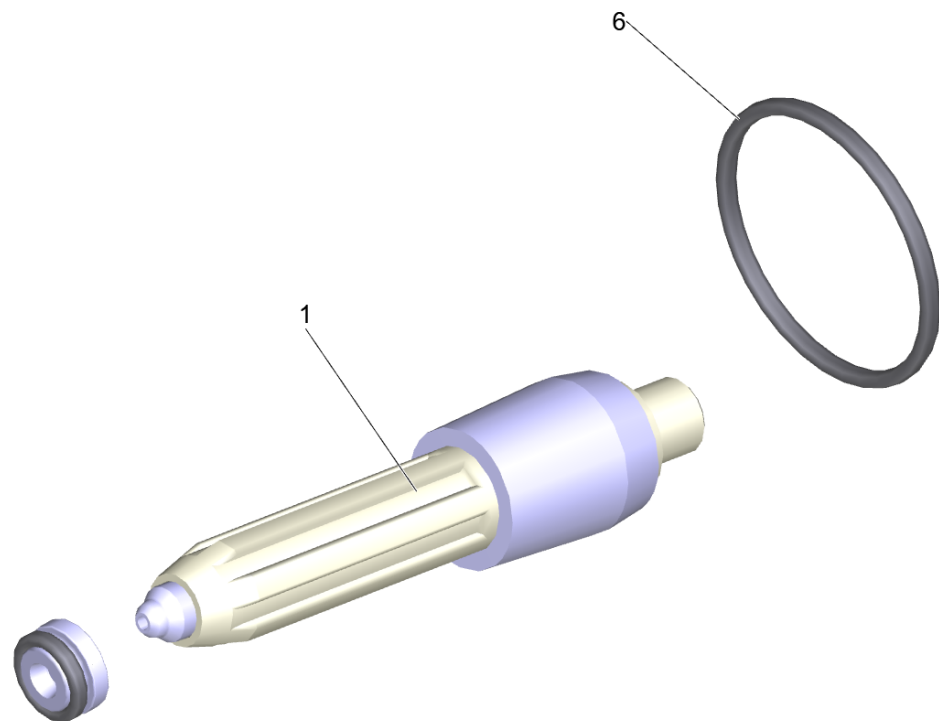
10 Dirt blaster

POS	Article no.	Description	Quantity	Unit	Remark
7	5.063-709.0	Cover	1	PC	
	Item text1: / 4.763-931.0				
7	5.064-357.0	Cover high-pressure 25/15-4	1	PC	4.764-201.0 / 4.764-208.0
7		Cover high-pressure 20/15	1	PC	4.764-204.0
9	6.362-463.0	O-Ring seal 28,0 X 2,0-NBR 78	1	PC	



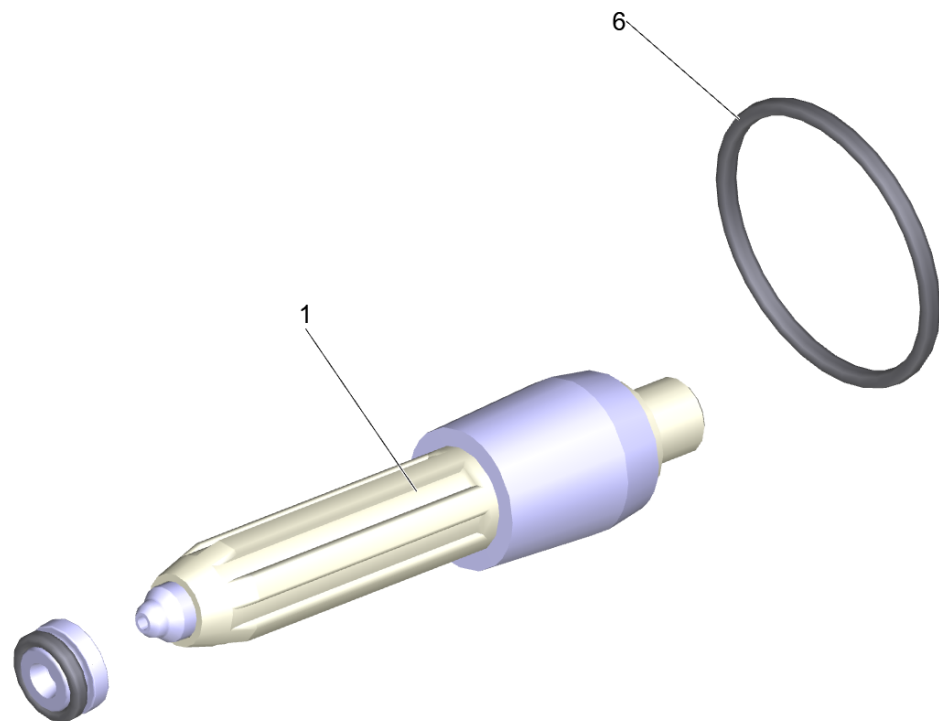
Spare part set rotor 170 (2.881-025.0)

POS	Article no.	Description	Quantity	Unit
6	6.362-463.0	O-Ring seal 28,0 X 2,0-NBR 78	1	PC



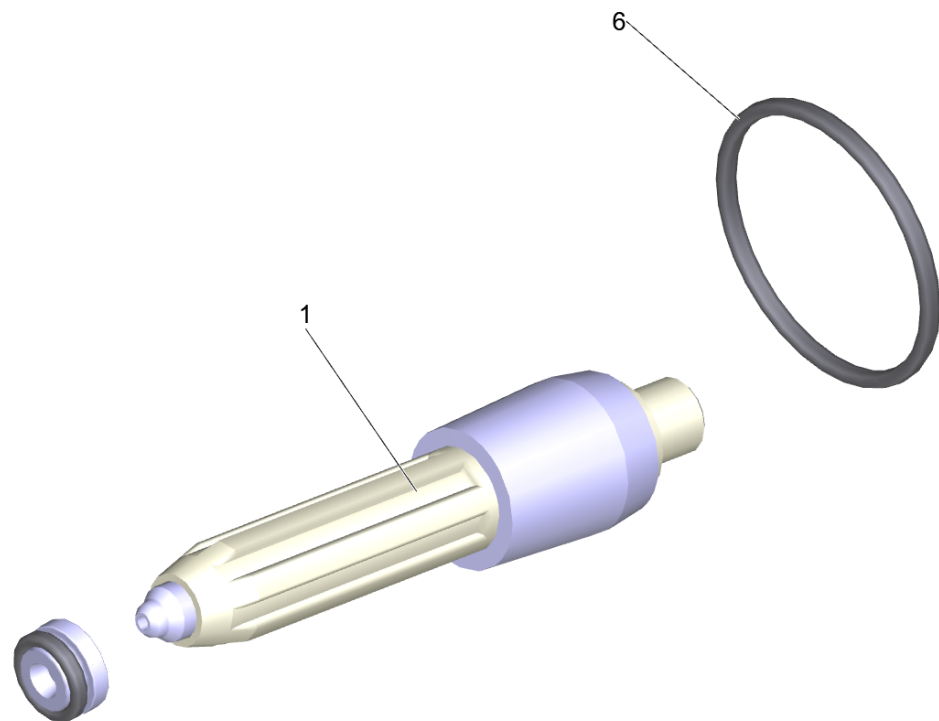
Spare part set dirt blaster 04-HD 1050 (2.883-471.0)

POS	Article no.	Description	Quantity	Unit
1	4.762-122.0	Rotor complete 04	1	PC
6	6.362-463.0	O-Ring seal 28,0 X 2,0-NBR 78	1	PC



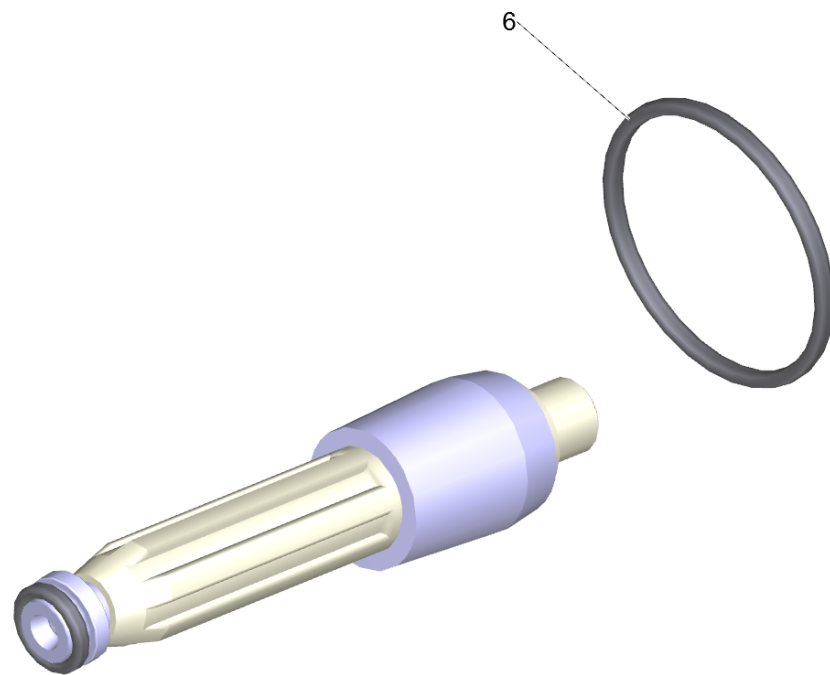
Spare part set dirt blaster 05 (2.883-472.0)

POS	Article no.	Description	Quantity	Unit
1	4.762-123.0	Rotor complete 05	1	PC
6	6.362-463.0	O-Ring seal 28,0 X 2,0-NBR 78	1	PC



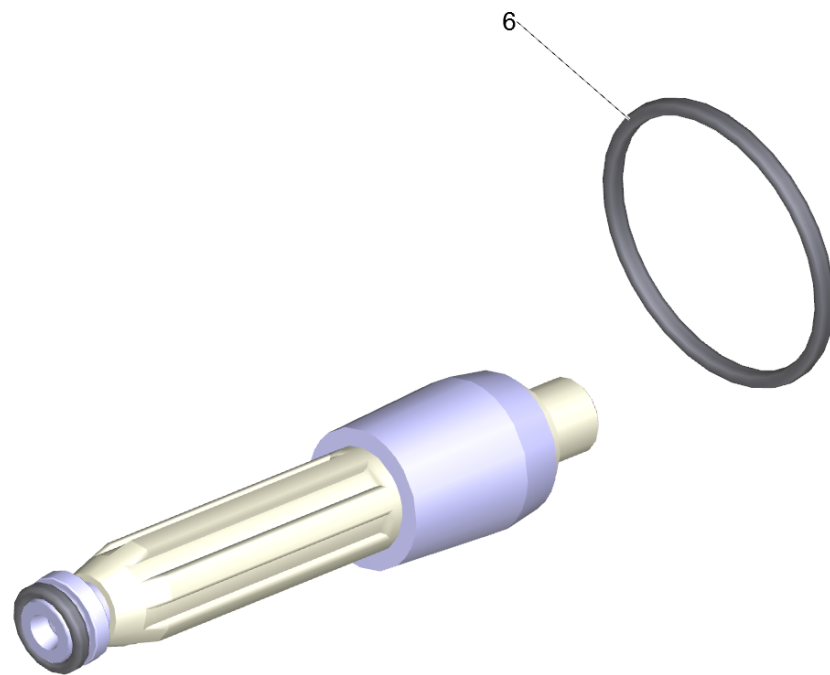
Spare part set dirt blaster 055/06 (2.883-473.0)

POS	Article no.	Description	Quantity	Unit
1	4.762-124.0	Rotor complete 055/06	1	PC
6	6.362-463.0	O-Ring seal 28,0 X 2,0-NBR 78	1	PC



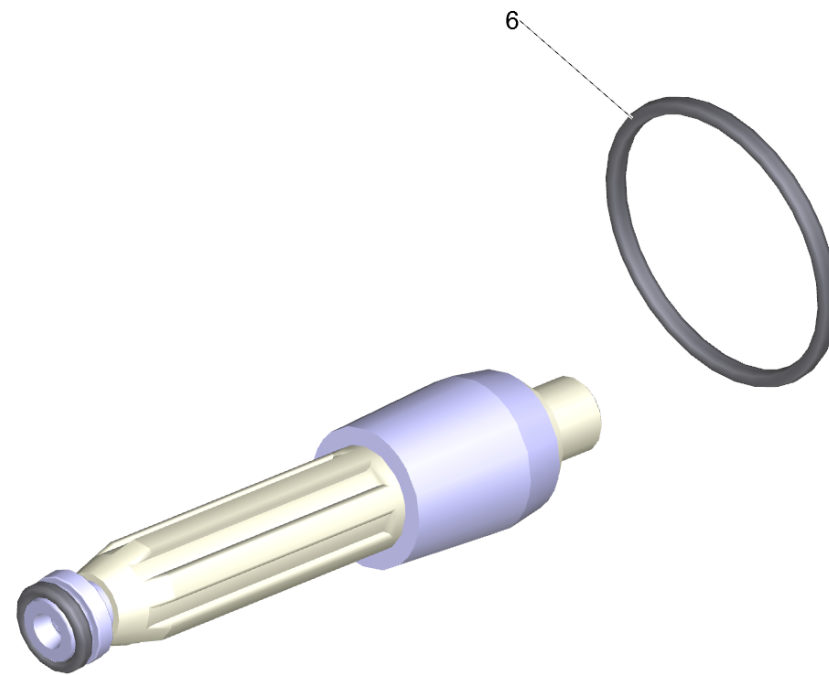
Spare part set dirt blaster 07/08-HDS 8 (2.883-474.0)

POS	Article no.	Description	Quantity	Unit
6	6.362-463.0	O-Ring seal 28,0 X 2,0-NBR 78	1	PC



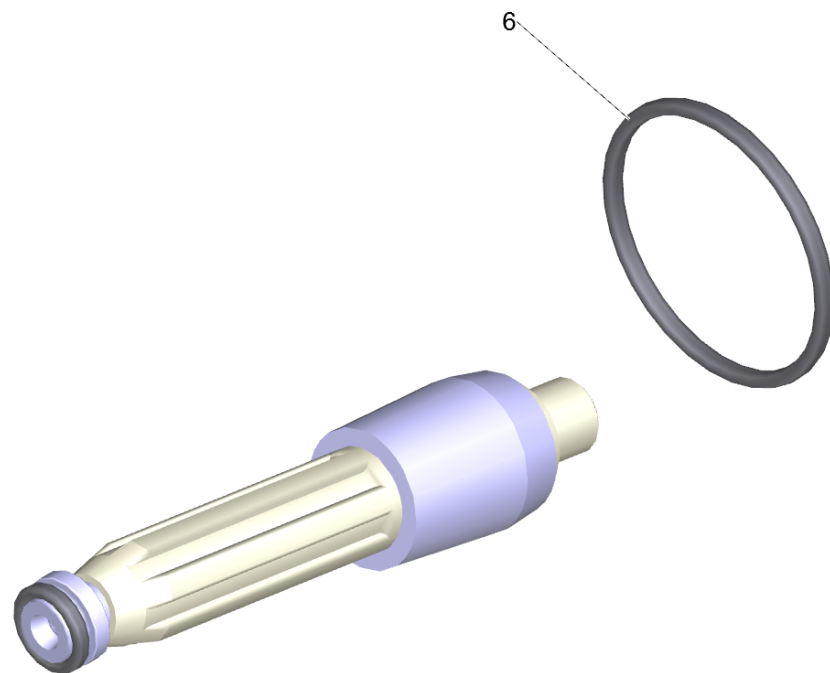
Spare part set dirt blaster 120 (2.884-051.0)

POS	Article no.	Description	Quantity	Unit
6	6.362-463.0	O-Ring seal 28,0 X 2,0-NBR 78	1	PC



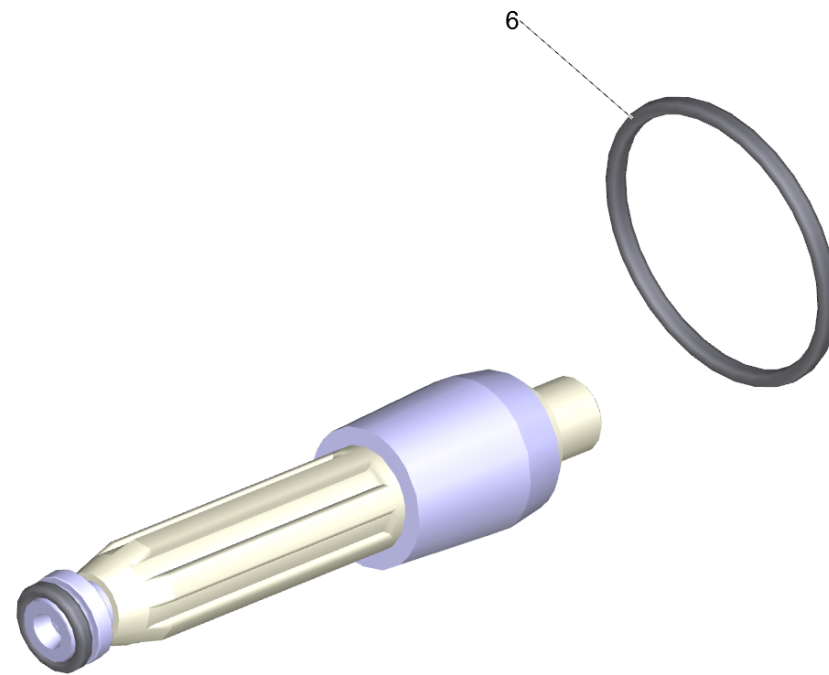
Spare part set dirt blaster 035 (2.884-052.0)

POS	Article no.	Description	Quantity	Unit
6	6.362-463.0	O-Ring seal 28,0 X 2,0-NBR 78	1	PC



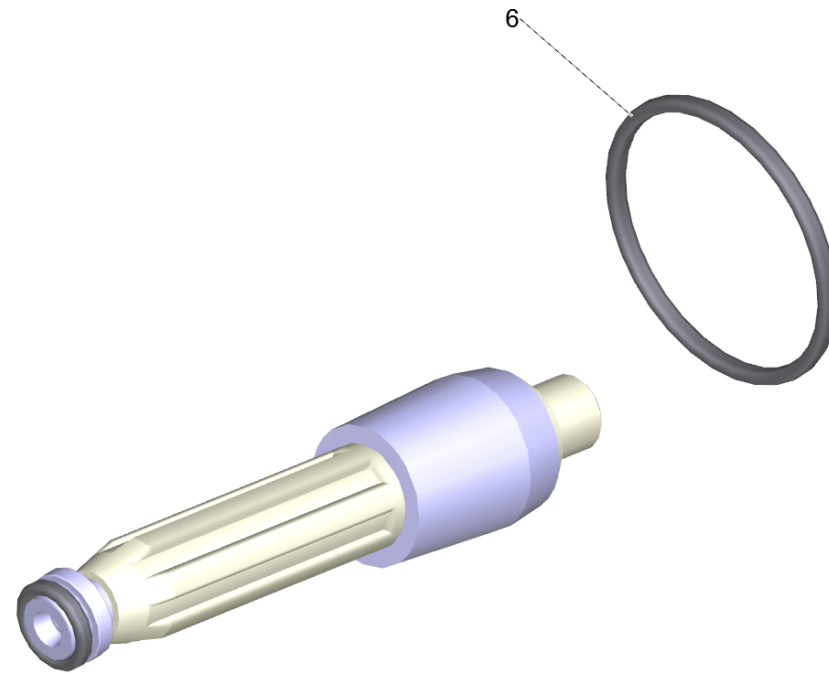
Spare part set dirt blaster 045 (2.884-113.0)

POS	Article no.	Description	Quantity	Unit
6	6.362-463.0	O-Ring seal 28,0 X 2,0-NBR 78	1	PC



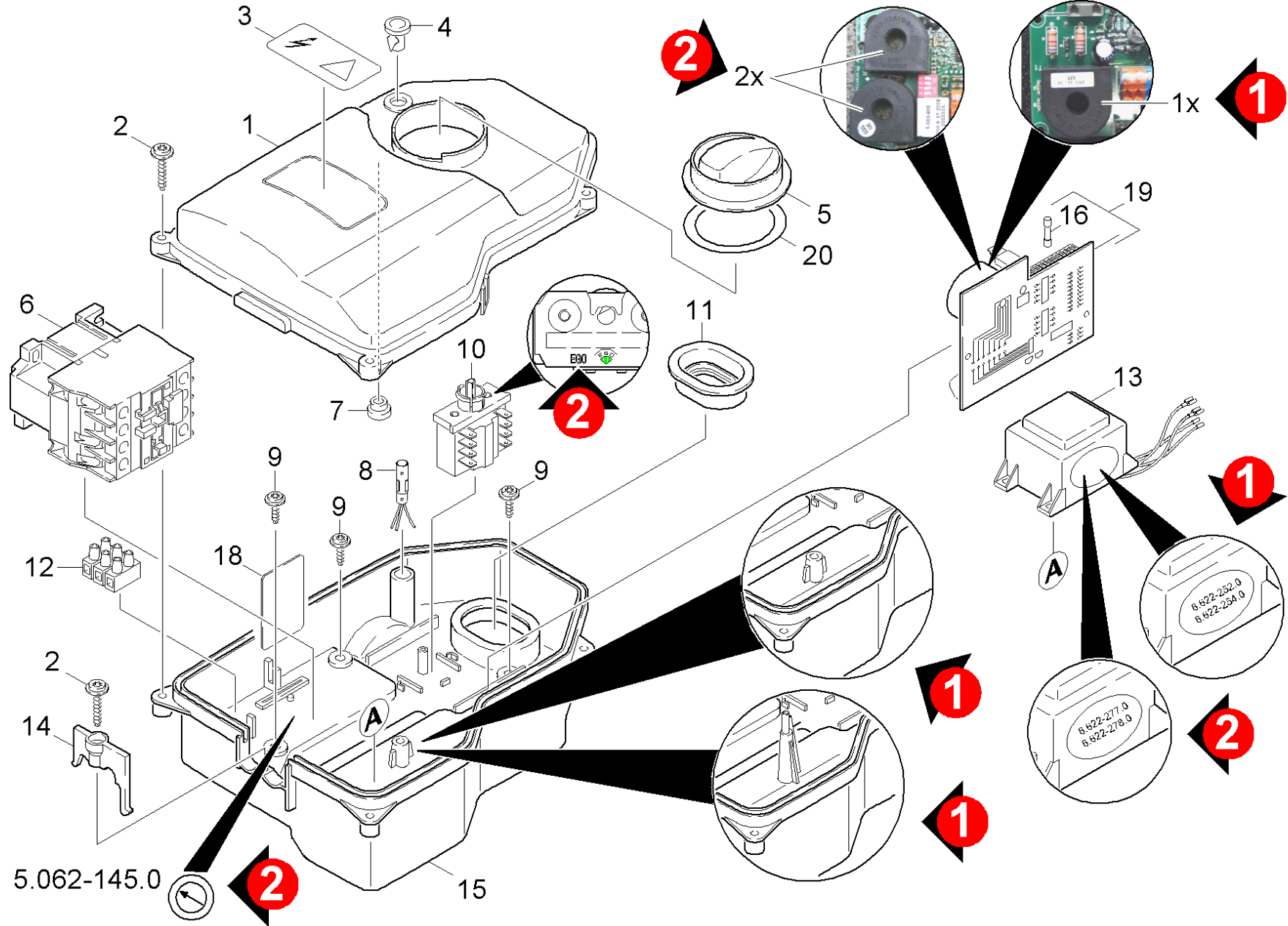
Spare part set dirt blaster 09 (2.884-316.0)

POS	Article no.	Description	Quantity	Unit
6	6.362-463.0	O-Ring seal 28,0 X 2,0-NBR 78	1	PC



Spare parts set rotor 100 (2.885-196.0)

POS	Article no.	Description	Quantity	Unit
6	6.362-463.0	O-Ring seal 28,0 X 2,0-NBR 78	1	PC



50 Electric control box

POS	Article no.	Description	Quantity	Unit	Remark	Foot note text
1	5.064-234.0	Cover electric control box	1	PC		
2	7.303-109.0	Screw 5x25 -10.9-R2R (In6Rd)	5	PC		
3	5.388-512.0	Label	1	PC		
4	6.651-506.0	Lens housing	1	PC		
5	5.322-102.0	Handle yellow	1	PC		
6	6.632-334.0	Power contactor LC1 D32 B7	1	PC		
	Item text1: 1.286-102.0 /-202.0 /					
6	6.632-356.0	Contactor LC1-D18 B7	1	PC		
	Item text1: 1.286-101.0 /-104.0 /-201.0 /					
7	6.641-446.0	Cable bushing	1	ZST		
8	6.651-505.0	Pilot lamp	1	PC		
9	6.303-153.0	Screw M5x15-ST-R2R (IN6RD)	4	PC		
10	6.630-272.0	Rotary switch	1	PC		
10	6.630-467.0	Rotary switch	1	PC	VERSION 2 EGO	
11	5.365-181.0	Profile gasket	1	PC		
12	6.643-650.0	Strip terminal triple-pole	1	PC		
13	6.622-278.0	Control transformer	1	PC	VERSION 2	
	Item text1: 1.286-102.0 /-202.0					
13	2.885-150.0	Spare part set HD 10/25 400V	1	PC	VERSION 1	CONVERSION KIT
	Item text1: / 1.286-101.0 / -104.0 / -201.0					
13	6.622-277.3	Control transformer	1	PC	VERSION 2	
	Item text1: 1.286-101.0 /-104.0 /-201.0					
13	2.885-151.0	Spare part set HD 10/25 230V	1	PC	VERSION 1	CONVERSION KIT
	Item text1: / 1.286-102.0 / -202.0					
14	5.263-051.0	Tensioning part	1	PC		
	Item text1: / 1.286-101.0 / -104.0 / -201.0					
14	5.263-081.0	Tensioning part	1	PC		
	Item text1: / 1.286-102.0 / -202.0					
15	2.885-150.0	Spare part set HD 10/25 400V	1	PC	VERSION 1	CONVERSION KIT
	Item text1: 1.286-101.0 /-104.0 /-201.0					
15	2.885-151.0	Spare part set HD 10/25 230V	1	PC	VERSION 1	CONVERSION KIT
	Item text1: 1.286-102.0 /-202.0					
15	5.062-145.0	Housing electric control box	1	PC	VERSION 2	

50 Electric control box

POS	Article no.	Description	Quantity	Unit	Remark	Foot note text
16	6.644-144.0	Fuse 1A	1	PC		
18	5.048-251.0	Plate	1	PC		
19	2.885-150.0	Spare part set HD 10/25 400V	1	PC	400 V VERSION 1	CONVERSION KIT
	Item text1: / 1.286-101.0 / -104.0 / -201.0					
19	2.885-151.0	Spare part set HD 10/25 230V	1	PC	230 V VERSION 1	CONVERSION KIT
	Item text1: / 1.286-102.0 / -202.0					
19	6.682-965.3	Phase failure protection motor Protectio	1	PC	VERSION 2	
20	5.363-616.0	Joint ring	1	PC		

13 Spare part set HD 10/25 400V (2.885-150.0)

POS	Article no.	Description	Quantity	Unit
1	5.062-145.0	Housing electric control box	1	PC
2	5.064-234.0	Cover electric control box	1	PC
3	6.622-277.3	Control transformer	1	PC
4	6.303-328.0	Screw 3 x 12-ST-10.9-A2K (In6Rd)	1	PC
5	6.682-965.3	Phase failure protection motor Protectio	1	PC
8	4.744-238.0	Switch kpl.	1	PC
9	6.630-467.0	Rotary switch	1	PC
11	6.643-249.0	Strip terminal	0,1	ZST
15	5.034-494.0	Retaining bracket	1	PC
16	5.367-030.0	Diaphragm	1	PC

15 Spare part set HD 10/25 400V (2.885-150.0)

POS	Article no.	Description	Quantity	Unit
1	5.062-145.0	Housing electric control box	1	PC
2	5.064-234.0	Cover electric control box	1	PC
3	6.622-277.3	Control transformer	1	PC
4	6.303-328.0	Screw 3 x 12-ST-10.9-A2K (In6Rd)	1	PC
5	6.682-965.3	Phase failure protection motor Protectio	1	PC
8	4.744-238.0	Switch kpl.	1	PC
9	6.630-467.0	Rotary switch	1	PC
11	6.643-249.0	Strip terminal	0,1	ZST
15	5.034-494.0	Retaining bracket	1	PC
16	5.367-030.0	Diaphragm	1	PC

19 Spare part set HD 10/25 400V (2.885-150.0)

POS	Article no.	Description	Quantity	Unit
1	5.062-145.0	Housing electric control box	1	PC
2	5.064-234.0	Cover electric control box	1	PC
3	6.622-277.3	Control transformer	1	PC
4	6.303-328.0	Screw 3 x 12-ST-10.9-A2K (In6Rd)	1	PC
5	6.682-965.3	Phase failure protection motor Protectio	1	PC
8	4.744-238.0	Switch kpl.	1	PC
9	6.630-467.0	Rotary switch	1	PC
11	6.643-249.0	Strip terminal	0,1	ZST
15	5.034-494.0	Retaining bracket	1	PC
16	5.367-030.0	Diaphragm	1	PC