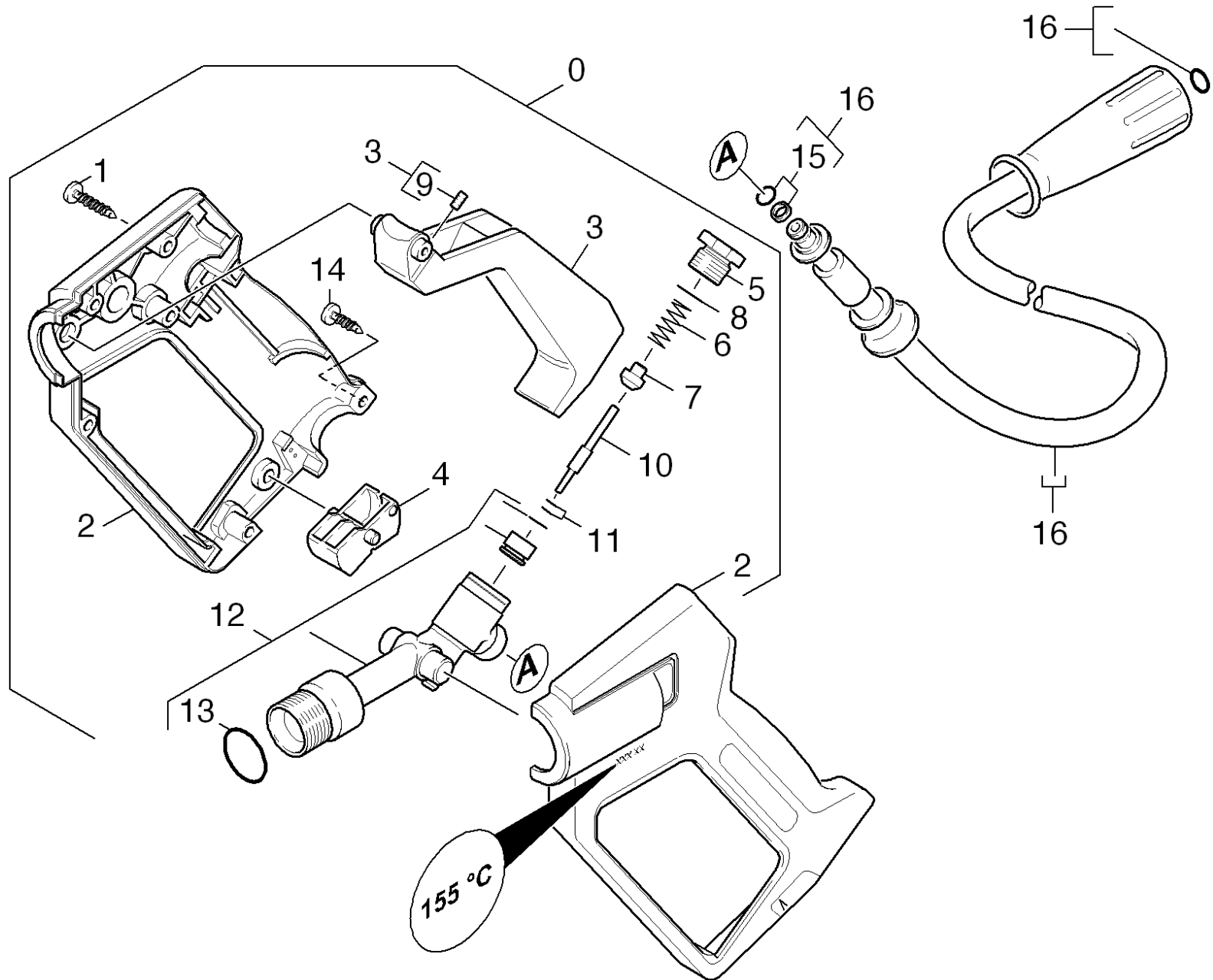


101 Hand trigger gun

Professional \ High pressure cleaner hotwater \ Electric motor \ HDS 555 Cl *EU \ Spare parts list HDS 555 Cl*EURO \ Accessories \ Hand trigger gun



101 Hand trigger gun

Professional \ High pressure cleaner hotwater \ Electric motor \ HDS 555 Cl *EU \ Spare parts list HDS 555 Cl*EURO \ Accessories \ Hand trigger gun



POS	Article no.	Description	Quantity	Unit
0	4.775-080.0	Hand trigger gun replacement	1	PC
	Item text1: / 1.979-701.0			
1	7.303-096.0	Screw 4x22-ST-10.9-R2R (IN6RD)	6	PC
2	5.321-230.0	Handhold few	1	PC
3	4.481-050.0	Lever	1	PC
	Item text1: / 1.979-701.0			
4	5.481-052.0	Lever	1	PC
5	5.411-067.0	Screw plug	1	PC
6	5.332-157.0	Helical spring	1	PC
7	5.582-084.0	Valve disc	1	PC
8	6.362-584.0	O-Ring seal 12,42X 1,78	1	PC
9	7.307-417.0	Threaded pin M8x16 -45H-A2E ISO 4026	1	PC
10	5.107-097.0	Bar	1	PC
11	6.362-571.0	O-Ring seal complete /1ST.-R	1	PC
12	4.427-131.0	Manifold	1	PC
	Item text1: / 1.979-701.0			
13	6.362-496.0	O-Ring seal 17,12X 2,62-NBR 70	1	PC
14	6.303-025.0	Oval head screw 4,2x16-St-vz	1	PC
15	6.363-115.0	O-Ring seal complete 1ST.-R.	1	PC
16	6.389-853.0	HIGH PRESSURE HOSE DN6 25MPa 10m	1	PC
17	2.880-990.0	Spare part set O-Ring 5x -Kaercher	1	PC
100	2.883-192.0	Spare part set 1450HW,1500HWS+SUPE	1	PC