

Spare parts list

(5.958-996.0) Spare parts list HD 9/16 ST

Table of contents

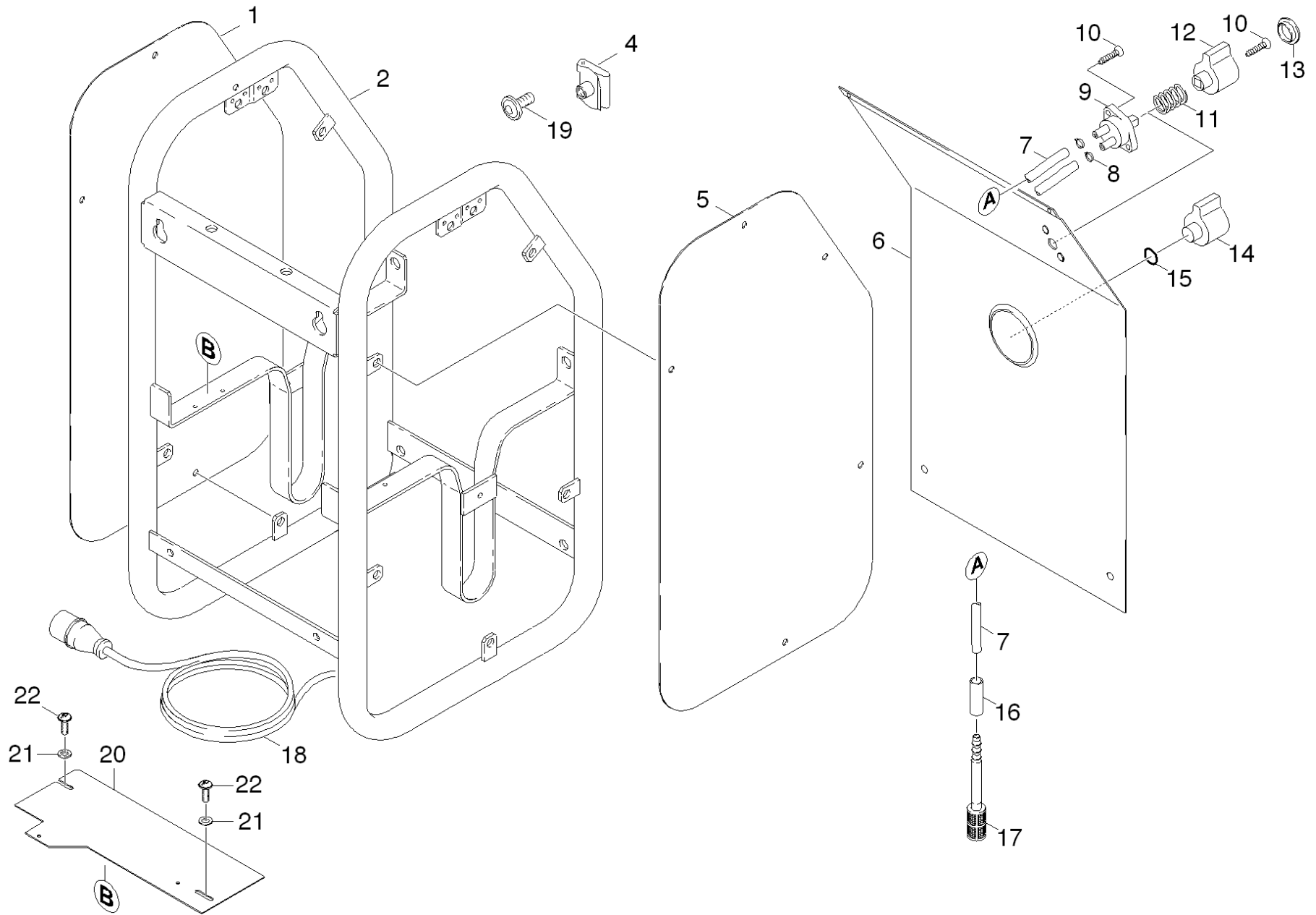
12 Spare parts list HD 9/16 ST (5.958-996.0)	4
10 Individual parts	5
9 Valve (4.580-102.0)	7
20 Pump set	9
21 Cylinder head	10
22 Valves	12
23 Piston	14
24 Chemistry	16
30 Motor	18
31 Transmission	19
5 Wobble plate (5.120-235.3)	21
32 Ventilation	22
40 Float tank	25
41 Float tank	26
42 Float tank	28
50 Motor protecting switch	30
60 Accessories	32
61 Hand trigger gun	33
18 Spare parts set (2.883-888.0)	35
20 Hose assembly DN8 max.31,5MPa 10m (6.390-025.0)	36
22 Rotary controller 416L (4.775-470.0)	37
22 Rotary controller 700L (4.775-471.0)	39
62 Hand trigger gun	41
1 HAND TRIGGER GUN EASY PRESS (4.775-463.0)	43
4 Rotary controller 416L (4.775-470.0)	45
5 Hose assembly DN8 max.31,5MPa 10m (6.390-025.0)	47
63 Jet pipe	48
Jet pipe packaged only for replacement (4.760-660.0)	50
64 Nozzle	52
Triple jet nozzle 045 (4.767-002.0)	54
2 Spare parts list triple jet nozzle (5.958-516.0)	55
10 Triple jet nozzle	56
17 Triple jet nozzle replacement 036 (4.767-148.0)	58
2 Spare parts list triple jet nozzle (5.970-837.0)	59
10 Triple jet nozzle plastics	60
20 Triple jet nozzle brass	62
17 Triple jet nozzle replacement 036 (4.767-148.0)	64
2 Spare parts list triple jet nozzle (5.970-837.0)	65

Table of contents

10 Triple jet nozzle plastics	66
20 Triple jet nozzle brass	68
Triple jet nozzle 065 (4.767-019.0)	70
2 Spare parts list triple jet nozzle (5.958-516.0)	71
10 Triple jet nozzle	72
17 Triple jet nozzle replacement 036 (4.767-148.0)	74
2 Spare parts list triple jet nozzle (5.970-837.0)	75
10 Triple jet nozzle plastics	76
20 Triple jet nozzle brass	78
17 Triple jet nozzle replacement 036 (4.767-148.0)	80
2 Spare parts list triple jet nozzle (5.970-837.0)	81
10 Triple jet nozzle plastics	82
20 Triple jet nozzle brass	84
Triple jet nozzle 100 (4.767-106.0)	86
20 Spare parts list triple jet nozzle (5.970-000.0)	87
10 Triple jet nozzle	88
17 Nozzle holder 055 (4.764-159.0)	90
70 Electric control box	91

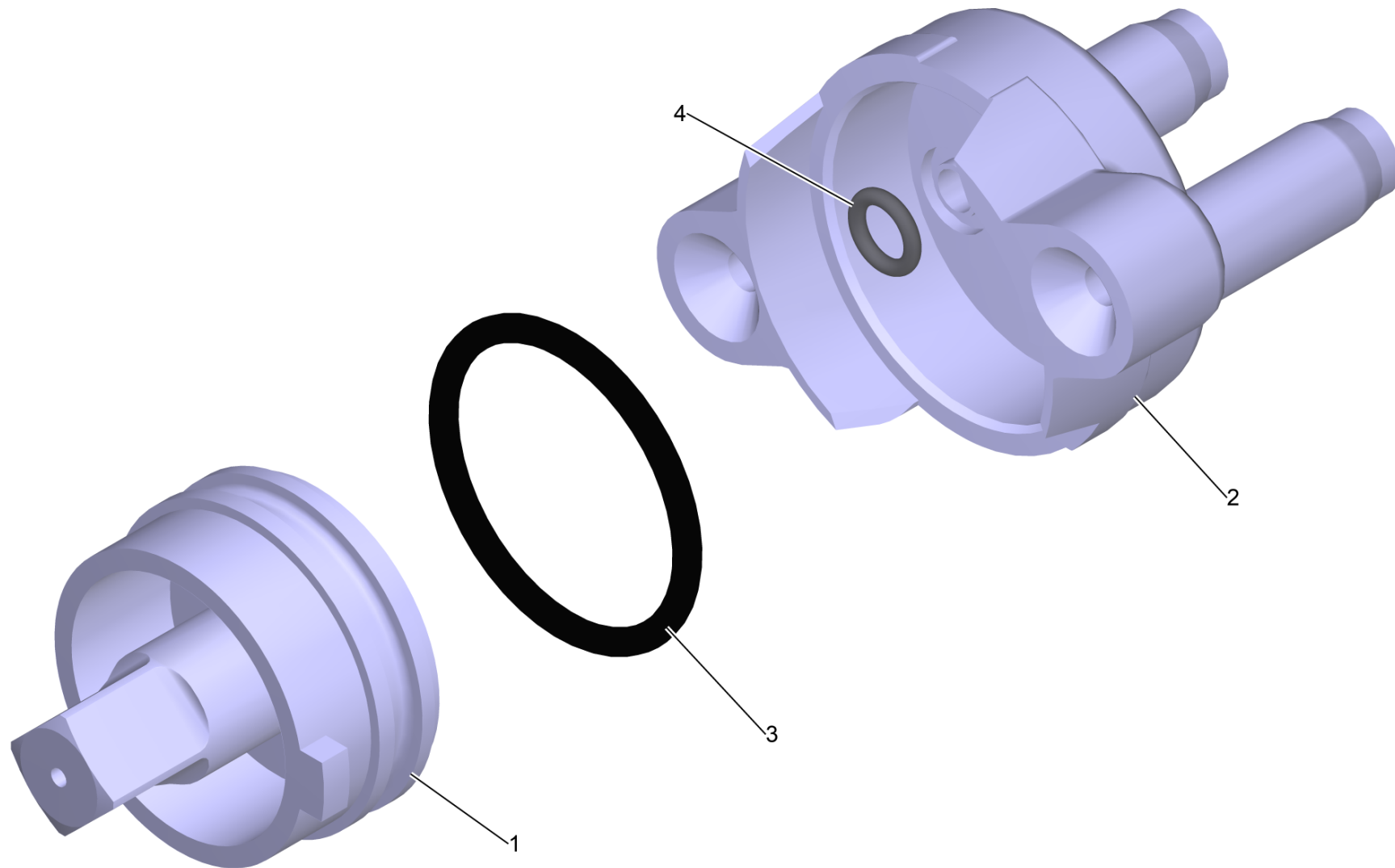
12 Spare parts list HD 9/16 ST (5.958-996.0)

POS	Description	Quantity	Unit
10	Individual parts	1	PC
20	Pump set	1	PC
30	Motor	1	PC
40	Float tank	1	PC
50	Motor protecting switch	1	PC
60	Accessories	1	PC
70	Electric control box	1	PC



10 Individual parts

POS	Article no.	Description	Quantity	Unit
1	5.059-901.0	Side plate	1	PC
2	4.050-619.0	Frame	1	PC
4	6.130-001.0	Putting nut	18	PC
5	5.059-900.0	Side plate	1	PC
6	5.058-464.0	Front panel HD 9/16 ST	1	PC
7	6.388-194.0	Hose DN 7	2	m
8	6.388-560.0	Hose clip	2	PC
9	4.580-102.0	Valve	1	PC
10	7.303-125.0	Countersunk screw 4x16 -10.9-R2R (In6Rd)	3	PC
11	5.332-028.0	Helical spring	1	PC
12	5.321-067.0	Handhold	1	PC
13	5.132-010.0	Plug	1	PC
14	5.321-556.0	Handhold	1	PC
15	6.472-112.0	O-Ring seal 10,0 x 2,4 NBR 70	1	PC
16	5.025-747.0	Tube	1	PC
17	6.414-136.0	Filter	1	PC
18	4.822-241.0	Cable complete	1	PC
	Item text1: / 1.374-101.0 / -201.0 / -301.0			
18	6.648-881.0	Cable with plug	1	PC
	Item text1: / 1.374-102.0 / -202.0 / -302.0			
19	6.304-153.0	Oval head screw M6x12-A2 aehnl: ISO 738	18	PC
20	5.009-547.0	Plate bracket float tank	1	PC
21	7.312-002.0	Washer 5-200HV-A3E ISO 7089	2	PC
22	7.303-037.0	Screw M5x10 -St-P2R (In6Rd)	2	PC

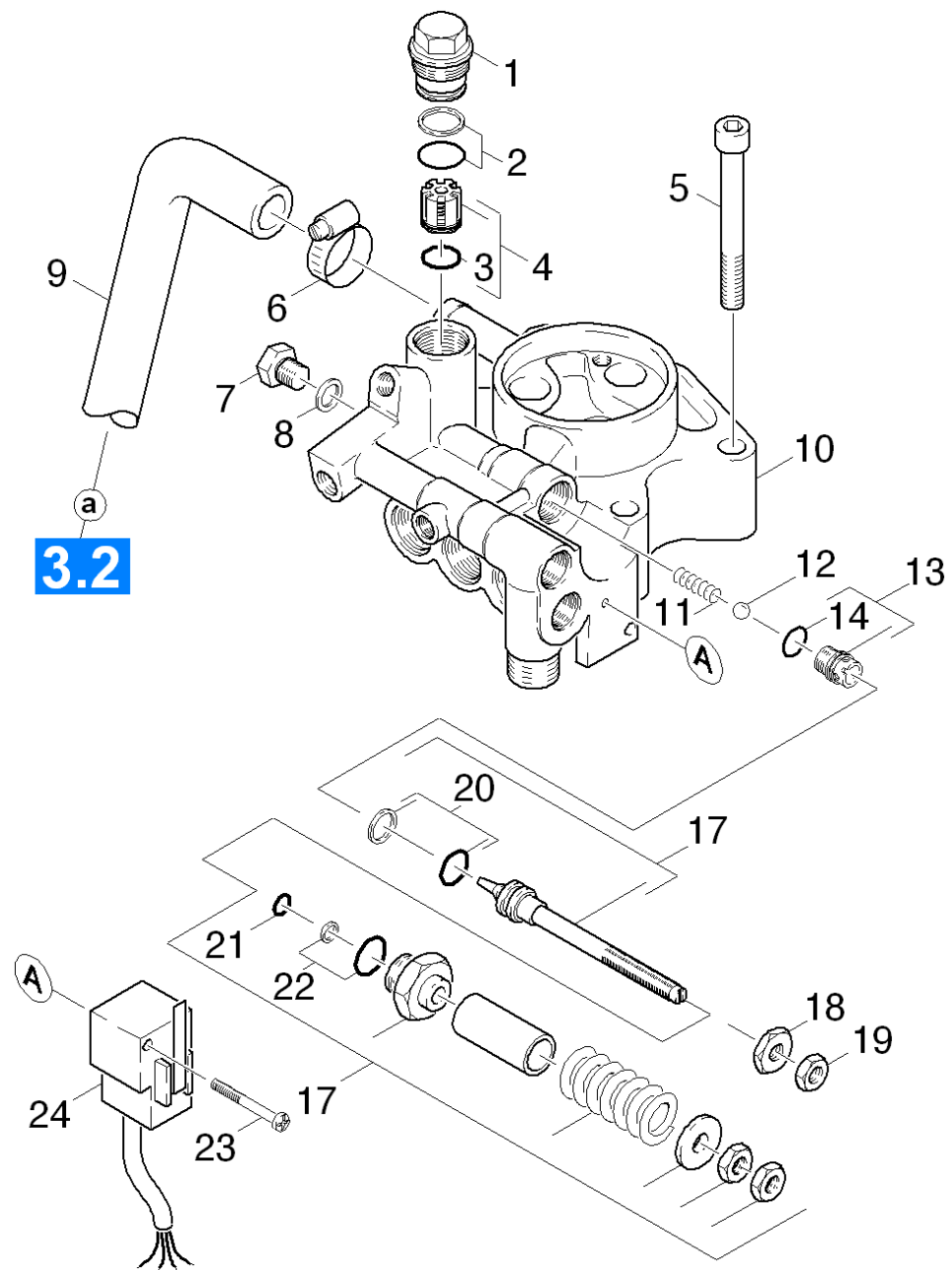


9 Valve (4.580-102.0)

POS	Article no.	Description	Quantity	Unit
1	5.581-039.0	Valve seat	1	PC
2	5.587-054.0	Valve housing	1	PC
3	6.362-385.0	O-Ring seal 26,0 X 2,5-NBR 70	1	PC
4	6.362-386.0	O-Ring seal 5,0 x 1,5-NBR 80	1	PC

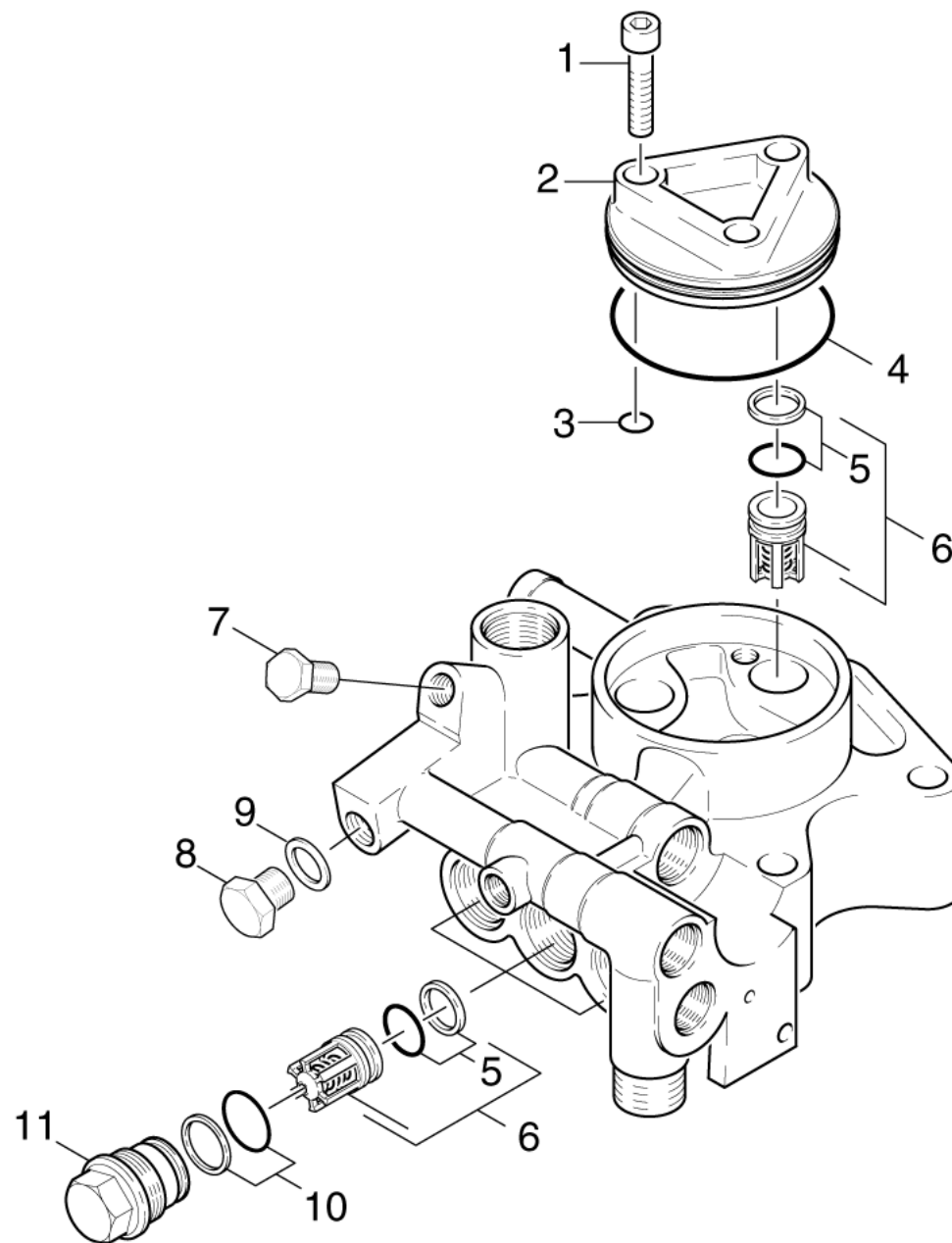
20 Pump set

POS	Description	Quantity	Unit
21	Cylinder head	1	PC
22	Valves	1	PC
23	Piston	1	PC
24	Chemistry	1	PC



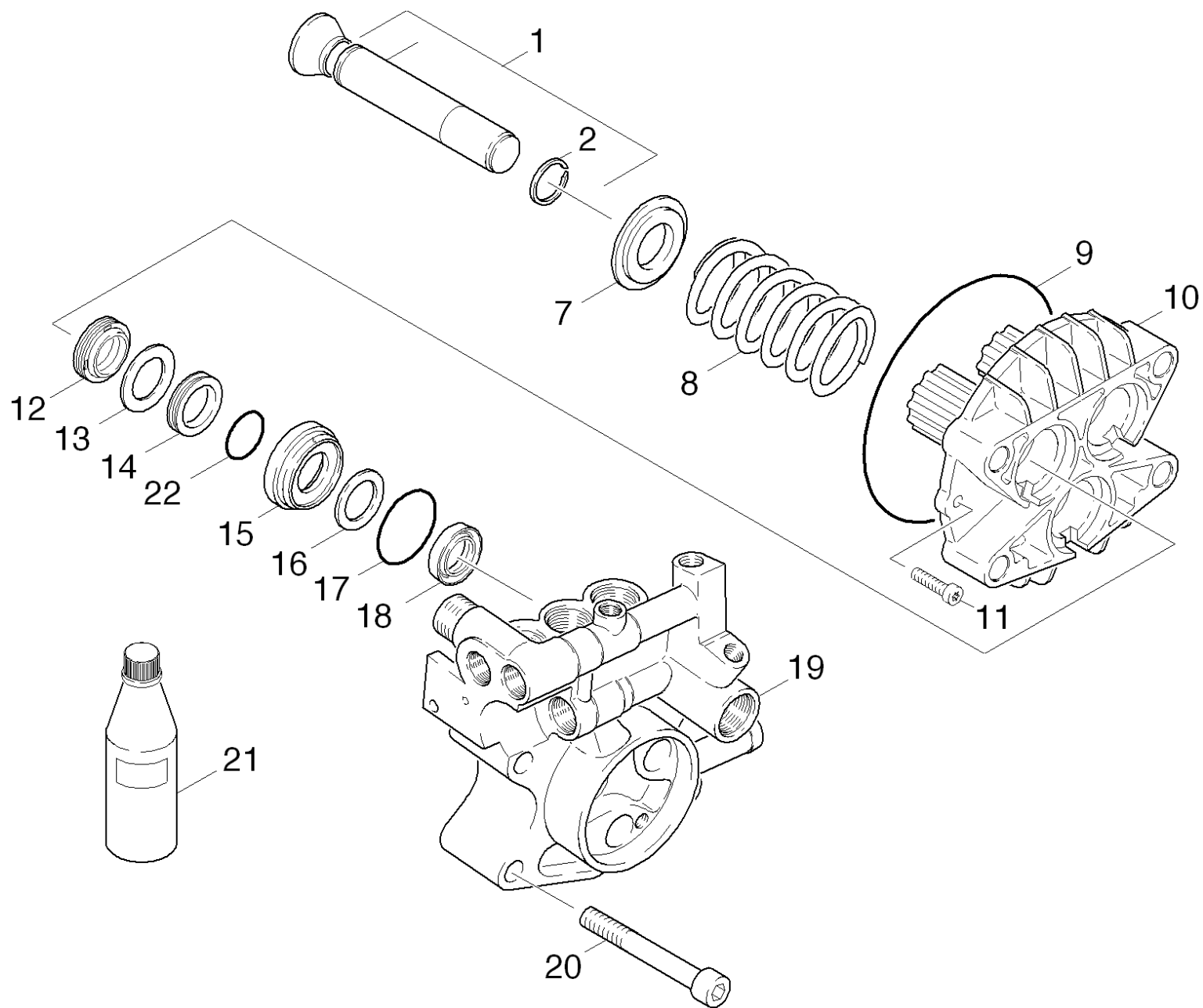
21 Cylinder head

POS	Article no.	Description	Quantity	Unit
1	5.583-125.0	Valve screw	1	PC
2	6.362-500.0	O-Ring seal complete /1ST.-R.	1	PC
3	6.362-381.0	O-Ring seal 13x2 - NBR 70	1	PC
4	4.580-262.0	Valve complete	1	PC
5	7.306-430.0	Cylinder head screw M12x90- 10.9-A3K ISO 4762	4	PC
6	7.373-022.0	Hose clip A-16-27x9 -W2-2 DIN3017	4	PC
7	5.411-117.0	Screw plug	1	PC
8	7.362-004.0	Joint ring A12x15,5 -Cu DIN 7603	1	PC
9	5.442-997.0	Hose	1	PC
10	5.550-229.0	Cylinder head	1	PC
11	5.332-999.0	Helical spring	1	PC
12	7.401-907.0	Sphere 3/8 G200-1.4301 DIN 5401	1	PC
13	4.581-019.0	Valve seat	1	PC
14	6.362-858.0	O-Ring seal 11,0 X 1,5	1	PC
17	4.591-044.0	Excess-current	1	PC
18	5.311-177.0	Hexagon nut	1	PC
19	7.311-004.0	Hexagon nut M8 -8-A3E ISO 4032	1	PC
20	6.363-333.0	O-Ring seal complete 12,42 H-NBR 85 1St-	1	PC
21	6.362-182.0	O-Ring seal 7,65x1,78 - NBR 90	1	PC
22	6.362-365.0	O-Ring seal complete 1ST.-R.- 7,65X 1,7	1	PC
23	7.306-320.0	Oval head screw M 5x40-A2-70 ISO 7045	1	PC
24	6.630-008.0	Micro switch	1	PC



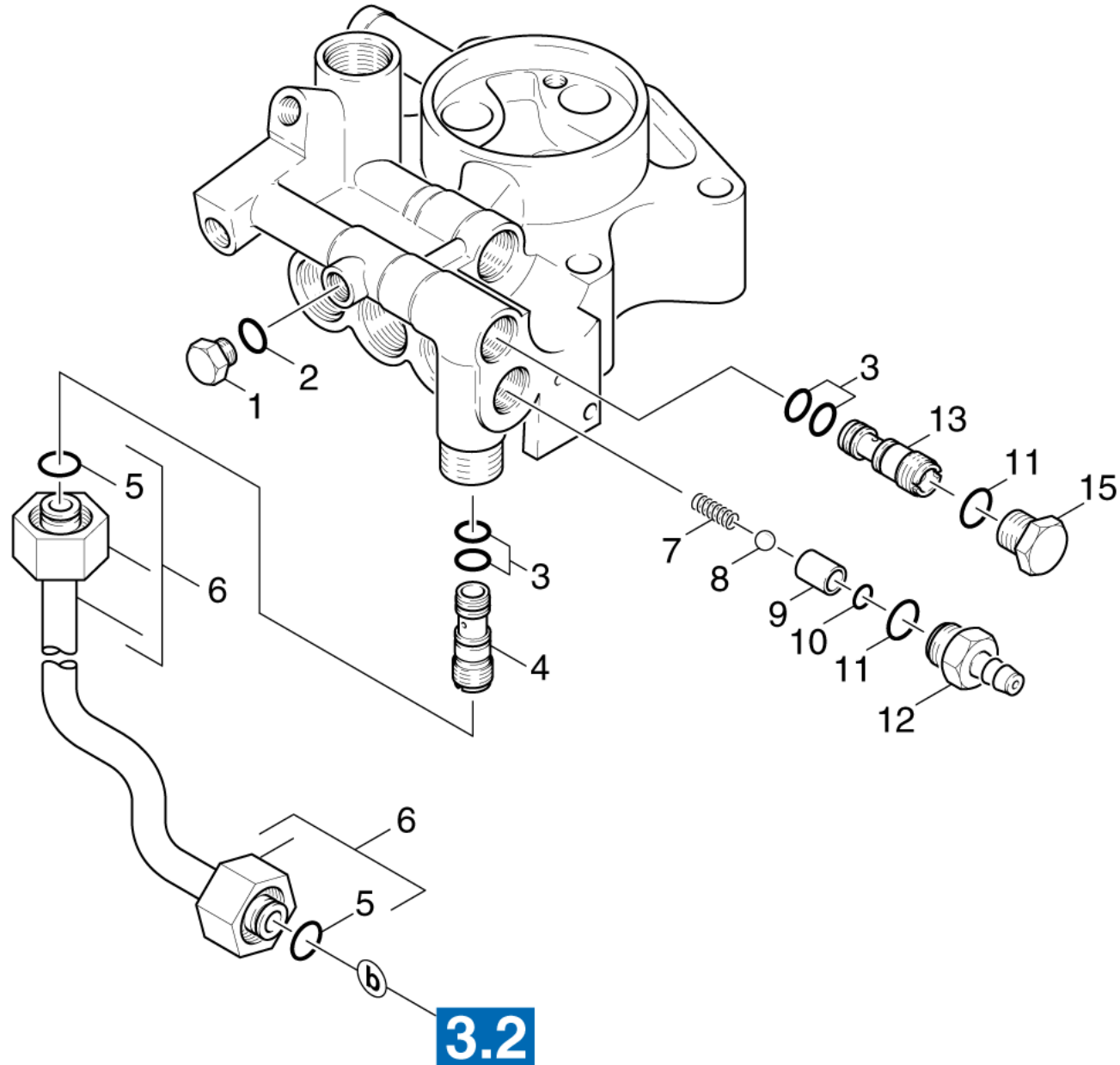
22 Valves

POS	Article no.	Description	Quantity	Unit
1	7.306-074.0	Cylinder head screw M10x35-8.8-A3E ISO4	3	PC
2	5.063-611.0	Cover housing	1	PC
3	6.362-858.0	O-Ring seal 11,0 X 1,5	3	PC
4	6.362-501.0	O-Ring seal 68,0 X 2,0-NBR 70	1	PC
5	4.363-693.0	O-Ring seal kpl. -nur fuer Ersatz-	6	PC
6	2.884-906.0	TRIPLE VALVE	2	PC
7	7.382-274.0	Screw plug R1/8"-CuZn DIN 909	1	PC
8	5.411-117.0	Screw plug	1	PC
9	7.362-004.0	Joint ring A12x15,5 -Cu DIN 7603	1	PC
10	6.362-500.0	O-Ring seal complete /1ST.-R.	3	PC
11	5.583-125.0	Valve screw	3	PC



23 Piston

POS	Article no.	Description	Quantity	Unit
1	4.553-283.3	Piston complete only for replacement	3	PC
2	6.343-142.0	Snap ring WR 22	3	PC
7	5.115-522.0	Washer	3	PC
8	5.332-281.0	Helical spring	3	PC
9	6.362-796.0	O-Ring seal 107,62X 2,62	1	PC
10	5.060-630.0	Housing	1	PC
11	7.306-023.0	Cylinder head screw M6x25 -8.8-A2E ISO4	2	PC
12	6.365-059.0	Grooved ring 22X30X6/8	3	PC
13	5.115-520.0	Washer	3	PC
14	5.363-386.0	Joint ring	3	PC
15	5.112-772.0	Bush HDS D22	3	PC
16	5.115-521.0	Washer	3	PC
17	6.363-607.0	O-Ring seal 34,65 x 1,78 -NBR70	3	PC
18	6.365-055.0	Grooved ring 22x30x5	3	PC
19	5.550-229.0	Cylinder head	1	PC
20	7.306-430.0	Cylinder head screw M12x90- 10.9-A3K ISO 4762	4	PC
21	6.288-016.0	Gear oil 1L	1	PC
22	6.362-981.0	O-Ring seal 23,39X3,53	3	PC

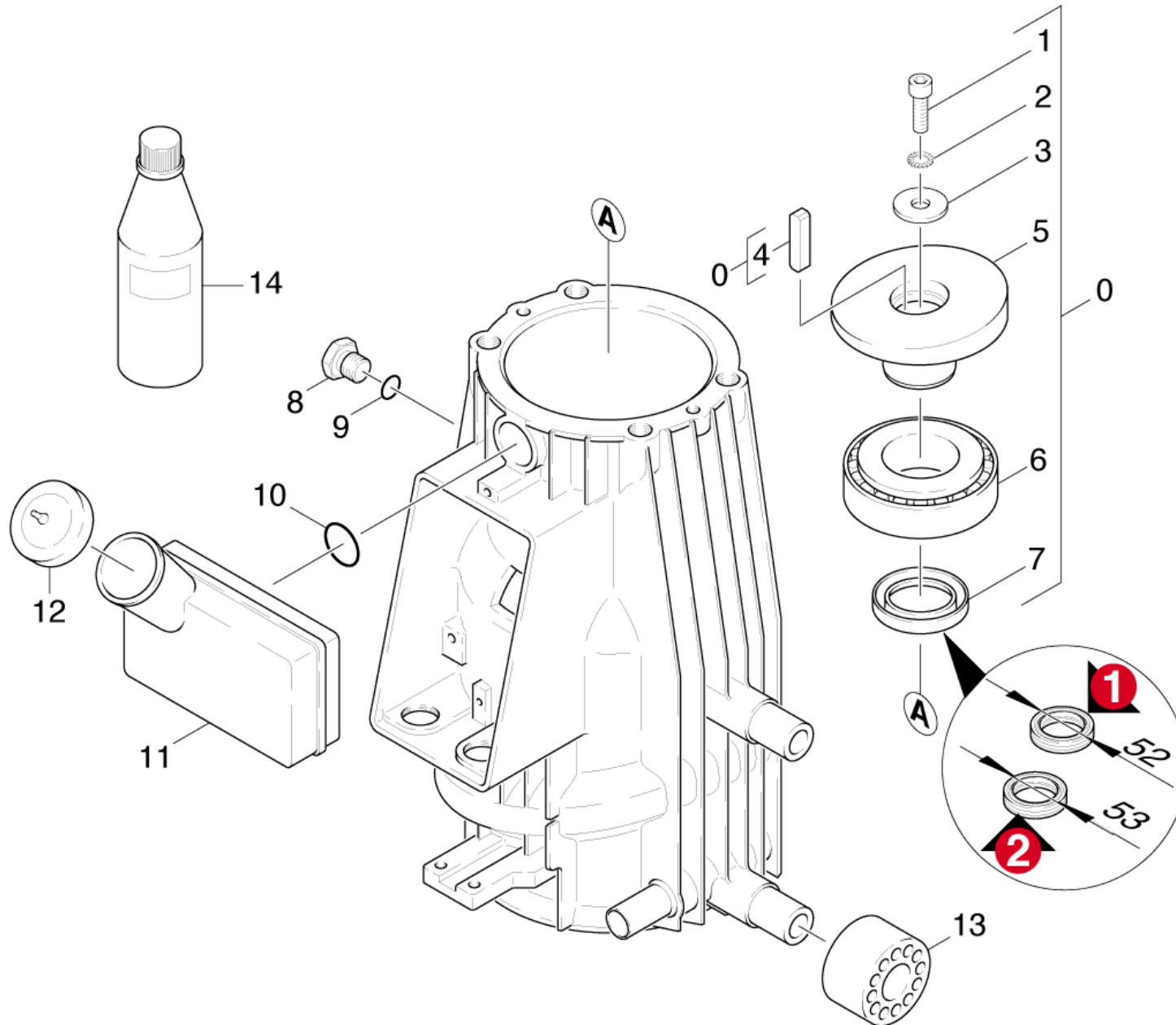


24 Chemistry

POS	Article no.	Description	Quantity	Unit
1	5.411-070.0	Screw plug	1	PC
2	6.362-101.0	O-Ring seal 8 X 2	1	PC
3	6.362-384.0	O-Ring seal 9x1,5 - NBR 70	4	PC
4	5.769-152.0	Nozzle insert D1,9/D2,5/L38	1	PC
5	2.880-154.0	O-Ring kit	2	PC
6	4.025-738.0	Pipeline high pressure	1	PC
7	5.332-258.0	Helical spring	1	PC
8	7.401-908.0	Sphere 7 G300 -1.4301 DIN 5401	1	PC
9	5.026-764.0	Tube	1	PC
10	6.362-383.0	O-Ring seal 6,0 X 2,0	1	PC
11	6.362-533.0	O-Ring seal 14,0 X 1,5-NBR 70	2	PC
12	5.402-370.0	Screw union	1	PC
13	5.769-135.0	Nozzle insert D2,8/ D3,4/ L38	1	PC
15	5.411-107.0	Screw plug	1	PC

30 Motor

POS	Description	Quantity	Unit
31	Transmission	1	PC
32	Ventilation	1	PC

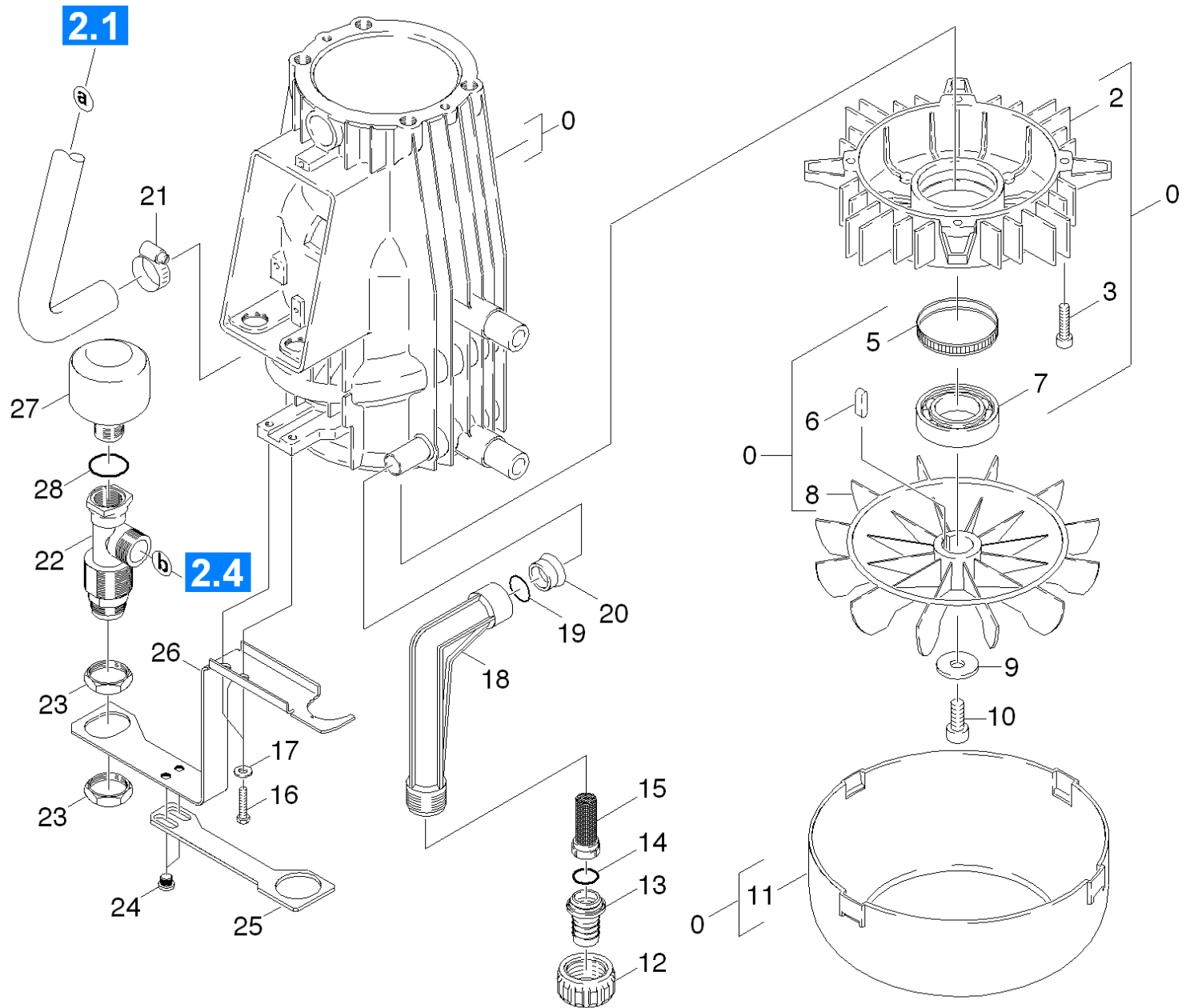


31 Transmission

POS	Article no.	Description	Quantity	Unit	Remark
0	4.623-550.0	Motor complete	1	PC	
	Item text1: / 1.374-201.0				
0	4.623-551.0	Motor complete	1	PC	
	Item text1: / 1.374-101.0				
0	4.623-562.0	Motor complete	1	PC	
	Item text1: / 1.374-102.0				
0	4.623-563.0	Motor complete	1	PC	
	Item text1: / 1.374-202.0				
0	4.623-565.0	Motor complete	1	PC	
	Item text1: / 1.374-301.0				
0	4.623-566.0	Motor complete	1	PC	
	Item text1: / 1.374-302.0				
1	7.306-041.0	Cylinder head screw M8x20 -8.8-A2E ISO	1	PC	
2	7.312-166.0	Toothed lock washer A8,4-FSt-A3E DIN 6797	1	PC	
3	5.115-565.0	Washer	1	PC	
4	7.318-035.0	Parallel key 8x7x25 -C45K DIN 6885-1	1	PC	
5	5.120-282.0	Wobble plate	1	PC	
	Item text1: / 1.374-101.0 / -102.0				
5	5.120-249.0	Wobble plate	1	PC	
	Item text1: / 1.374-201.0 / -202.0				
5	5.120-235.3	Wobble plate	1	PC	
	Item text1: / 1.374-301.0 / -302.0				
6	6.401-225.3	Taper roller bearing 41	1	PC	
7	7.367-005.0	Radial shaft seal ring A35x53x7-NBR DIN	1	PC	VERSION 2
7	7.367-009.0	Radial shaft seal ring A35x52x7-NBR DIN	1	PC	VERSION 1
8	5.411-100.0	Screw plug	1	PC	
9	6.363-273.0	O-Ring seal 11,0 x 2,0	1	PC	
10	6.362-161.0	O-Ring seal 19,3 X 2,4	1	PC	
11	5.070-457.0	Tank oil	1	PC	
12	5.064-457.0	Cover plate qusty grey oil	1	PC	
13	5.057-055.0	Support	4	PC	
14	6.288-016.0	Gear oil 1L	1	PC	

5 Wobble plate (5.120-235.3)

POS	Article no.	Description	Quantity	Unit
2	6.590-355.0	Bag PE 130x140 mm neutral	1	PC
4	6.376-036.0	Label spare parts neutrally 65x55 MM	1	ZST



32 Ventilation

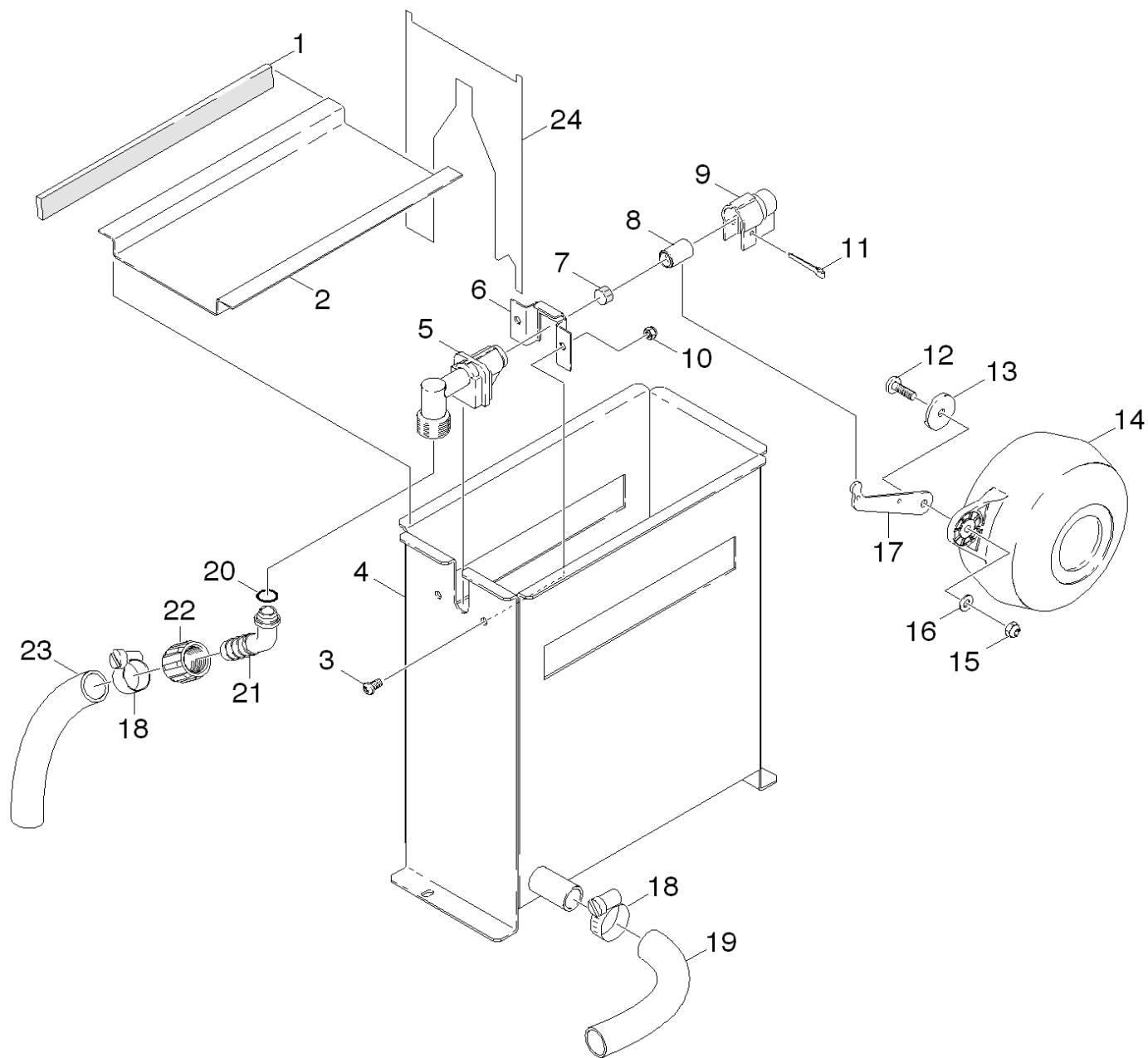
POS	Article no.	Description	Quantity	Unit
0	4.623-550.0	Motor complete	1	PC
	Item text1: / 1.374-201.0			
0	4.623-551.0	Motor complete	1	PC
	Item text1: / 1.374-101.0			
0	4.623-562.0	Motor complete	1	PC
	Item text1: / 1.374-102.0			
0	4.623-563.0	Motor complete	1	PC
	Item text1: / 1.374-202.0			
0	4.623-565.0	Motor complete	1	PC
	Item text1: / 1.374-301.0			
0	4.623-566.0	Motor complete	1	PC
	Item text1: / 1.374-302.0			
2	5.063-518.0	Cover	1	PC
3	7.303-048.0	Screw M6x20 -St-R3R (In6Rd)	4	PC
5	6.343-010.0	Tolerance ring 62x10	1	PC
6	7.318-029.0	Parallel key 6x6x20-C45K DIN 6885	1	PC
7	6.401-253.0	Ball bearing 6305-2Z	1	PC
8	6.611-605.0	Blower wheel	1	PC
9	5.115-565.0	Washer	1	PC
10	7.306-041.0	Cylinder head screw M8x20 -8.8-A2E ISO	1	PC
11	5.692-026.0	Air circulation	1	PC
12	5.310-076.0	Nut	1	PC
13	5.443-291.0	Hose stem	1	PC
14	6.362-161.0	O-Ring seal 19,3 X 2,4	1	PC
15	6.414-141.0	Strainer	1	PC
16	7.306-094.0	Screw M6x25 -8.8-R3R (In6Rd)	2	PC
17	7.312-003.0	Washer 6 -200HV-A3E ISO 7089	2	PC
18	5.427-303.0	MANIFOLD	1	PC
19	6.362-579.0	O-Ring seal 17,5 X 3,5	1	PC
20	5.110-341.0	Sleeve	1	PC
21	7.373-022.0	Hose clip A-16-27x9 -W2-2 DIN3017	1	PC
22	5.427-305.0	Manifold	1	PC
23	5.311-165.0	Hexagon nut M30x1,5	2	PC

32 Ventilation

POS	Article no.	Description	Quantity	Unit
24	7.306-213.0	Screw M5x6 -A2-70 (In6Rd)	2	PC
25	5.050-186.0	Sheet metal component water intake	1	PC
26	5.044-615.0	Holder	1	PC
27	6.505-054.0	Pressure accumulator	1	PC
28	6.362-176.0	O-Ring seal 6,07x1,78	1	PC

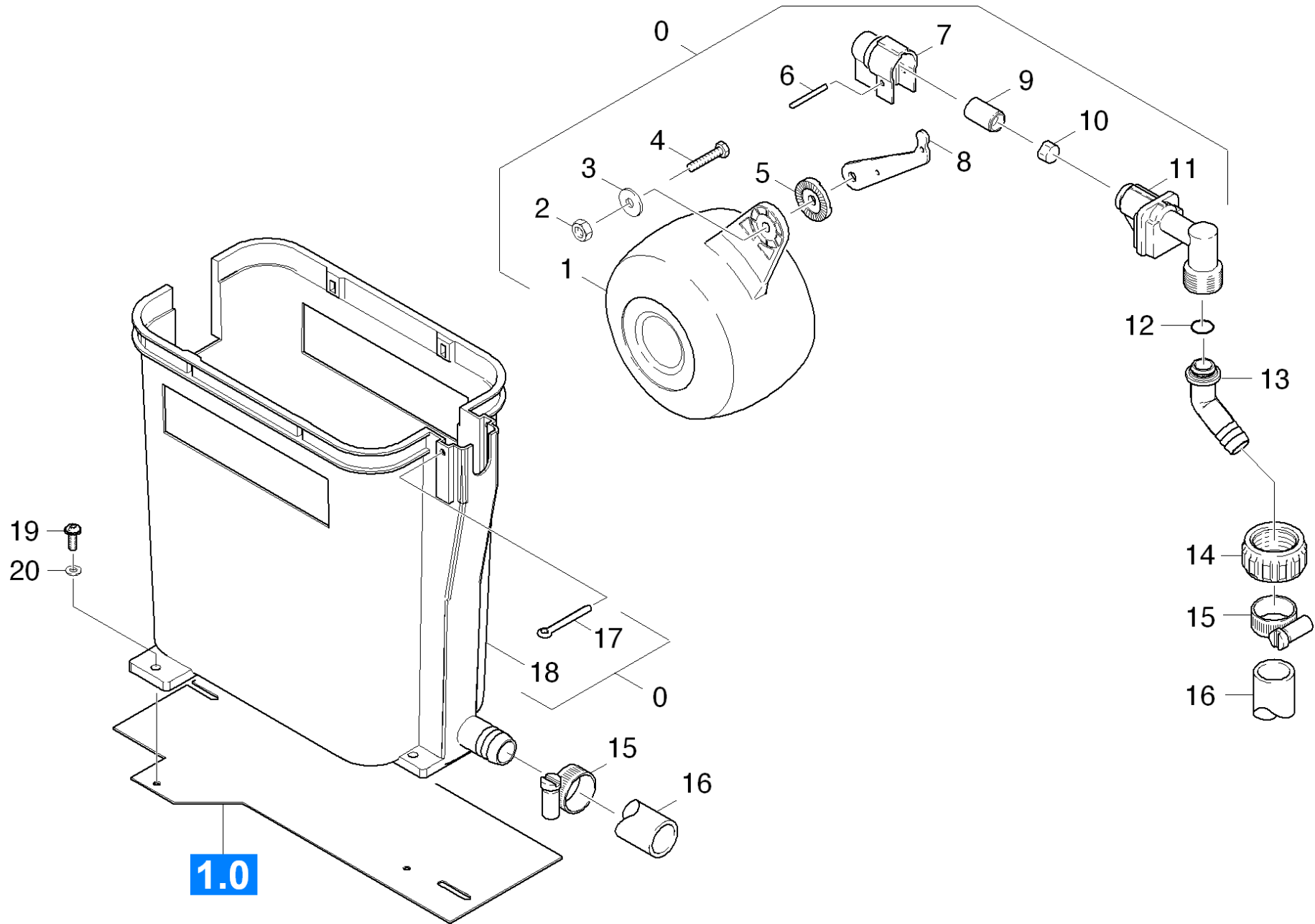
40 Float tank

POS	Description	Quantity	Unit	Remark
41	Float tank	1	PC	VERSION 1
42	Float tank	1	PC	VERSION 2



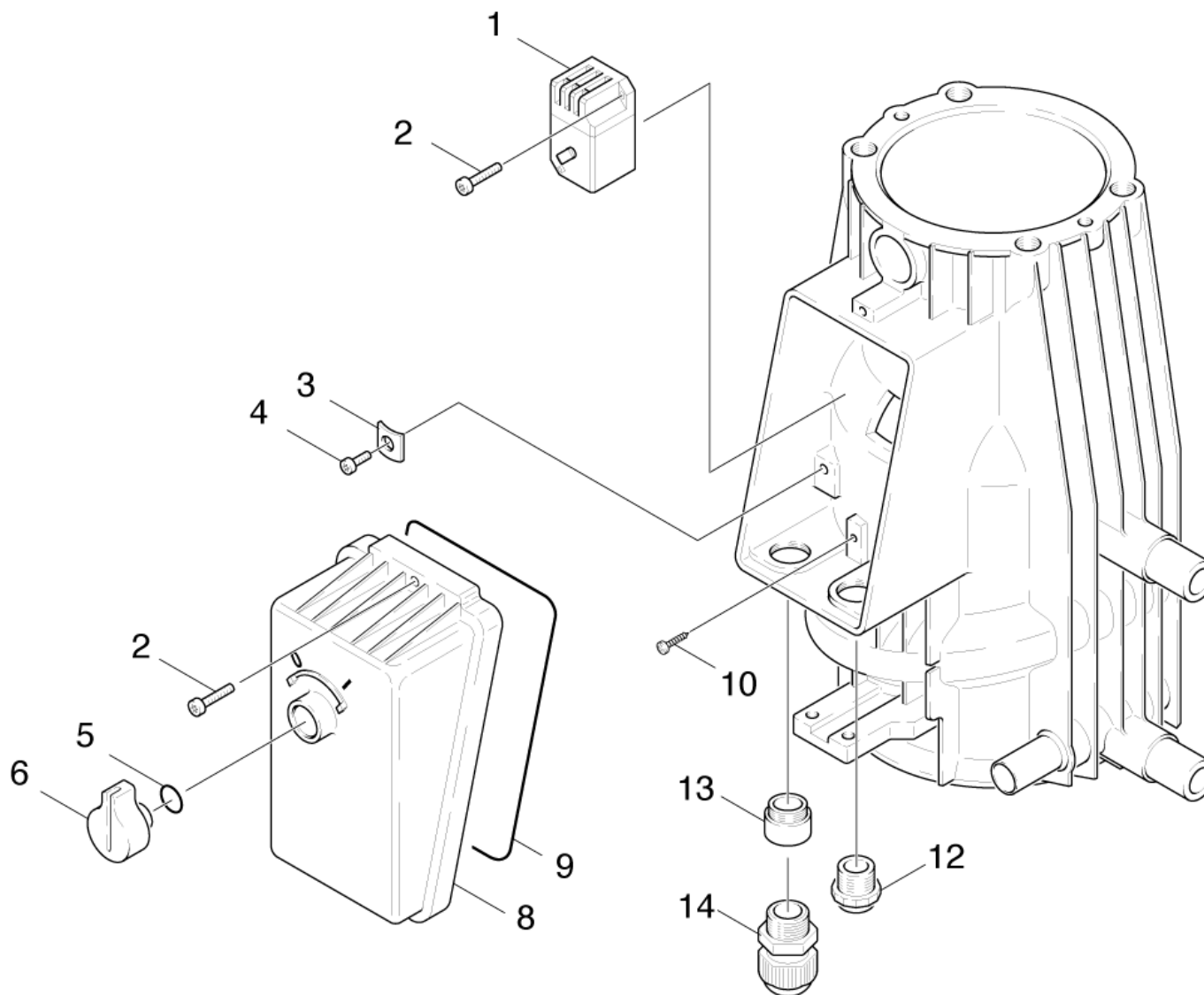
41 Float tank

POS	Article no.	Description	Quantity	Unit
1	6.273-042.0	Sealing tape 19x4	1	m
2	5.058-033.0	Sheet metal component	1	PC
3	7.306-180.0	Screw M5x10-A2-70 (In6Rd)	2	PC
4	4.070-465.0	Tank	1	PC
5	5.587-103.0	Valve housing	1	PC
6	5.044-624.0	Holder	1	PC
7	5.364-095.0	Flat gasket	1	PC
8	5.584-026.0	Valve pin	1	PC
9	5.394-066.0	Protection part	1	PC
10	7.311-431.0	Hexagon nut M5-1.4305 DIN 985	2	PC
11	7.316-013.0	Cotter 3,2x32-A ISO 1234	1	PC
12	7.306-194.0	Screw M6x20 -A2-70 (In6Rd) ISO 14583	1	PC
13	5.115-158.0	Washer	1	PC
14	5.585-024.0	Float	1	PC
15	7.311-422.0	Hexagon nut M 6-1.4305 ISO 10511	1	PC
16	7.312-279.0	Washer 6-CuZn ISO 7093-1	1	PC
17	5.481-029.0	Lever	1	PC
18	7.373-022.0	Hose clip A-16-27x9 -W2-2 DIN3017	2	PC
19	5.442-997.0	Hose	1	PC
20	6.362-078.0	O-Ring seal 13,3x2,4	1	PC
21	5.443-285.0	Hose stem	1	PC
22	5.310-062.0	Nut	1	PC
23	6.390-320.0	Hose DN 16	1	m
24	5.050-197.0	Sheet metal component	1	PC



42 Float tank

POS	Article no.	Description	Quantity	Unit
0	3.593-060.0	Float valve	1	PC
1	5.585-024.0	Float	1	PC
2	7.311-422.0	Hexagon nut M 6-1.4305 ISO 10511	1	PC
3	7.312-279.0	Washer 6-CuZn ISO 7093-1	1	PC
4	7.306-194.0	Screw M6x20 -A2-70 (In6Rd) ISO 14583	1	PC
5	5.115-158.0	Washer	1	PC
6	7.316-004.0	Bolt A 3x25 -CuZn ISO 2340	1	PC
7	5.394-066.0	Protection part	1	PC
8	5.481-029.0	Lever	1	PC
9	5.584-026.0	Valve pin	1	PC
10	5.364-095.0	Flat gasket	1	PC
11	5.587-103.0	Valve housing	1	PC
12	6.362-078.0	O-Ring seal 13,3x2,4	1	PC
13	5.443-285.0	Hose stem	1	PC
14	5.310-062.0	Nut	1	PC
15	7.373-022.0	Hose clip A-16-27x9 -W2-2 DIN3017	2	PC
16	6.390-320.0	Hose DN 16	2	m
17	7.316-432.0	Cotter 4x50 -St-A2E ISO 1234	1	PC
18	5.070-076.0	Tank	1	PC
19	7.303-077.0	Sheet metal screw ST4,8X16-ST-R2R (IN6R	2	PC
20	7.312-278.0	Washer 5-200HV-A2E ISO7093-1	2	PC

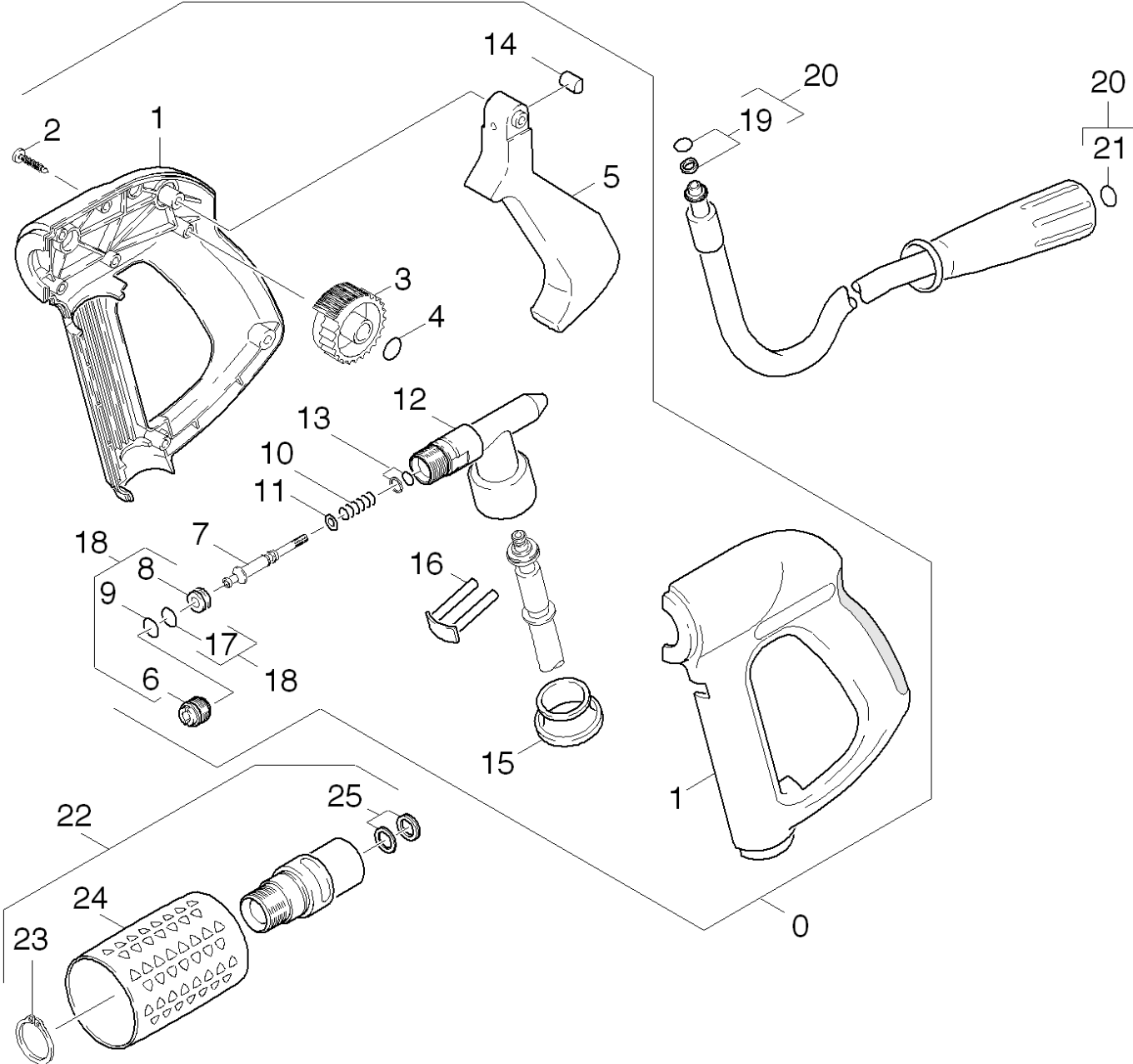


50 Motor protecting switch

POS	Article no.	Description	Quantity	Unit	Foot note text
1	6.631-190.0	Motor protecting switch	1	PC	
	Item text1: / 1.374-101.0 / -201.0 / -301.0				
1	6.631-196.0	Motor protecting switch	1	PC	
	Item text1: / 1.374-102.0 / -202.0				
1	6.631-428.0	Motor protecting switch -22-27A	1	PC	
	Item text1: / 1.374-302.0				
2	7.309-016.0	Screw M4x22-Z7-1 -4.8-A2E DIN6900	3	PC	
3	6.641-708.0	Clamping washer 5	1	PC	
4	7.303-039.0	Screw M5x16 -St-P2R (In6Rd)	1	PC	
5	6.472-112.0	O-Ring seal 10,0 x 2,4 NBR 70	1	PC	
6	5.321-556.0	Handhold	1	PC	
8	5.066-615.0	Cover	1	PC	
9	6.273-070.0	Seal string cellular rubber 4	1	m	TO ORDER AS CUT GOODS
10	7.303-027.0	Screw M3x6-ST-R2R (IN6RD)	1	PC	
12	6.641-613.0	Cable gland PG13,5	1	PC	
13	6.641-394.0	Adaptor PG13,5-PG16	1	PC	
14	6.641-356.0	Cable gland PG16	1	PC	

60 Accessories

POS	Description	Quantity	Unit	Remark
61	Hand trigger gun	1	PC	VERSION 1
62	Hand trigger gun	1	PC	VERSION 2
63	Jet pipe	1	PC	
64	Nozzle	1	PC	



61 Hand trigger gun

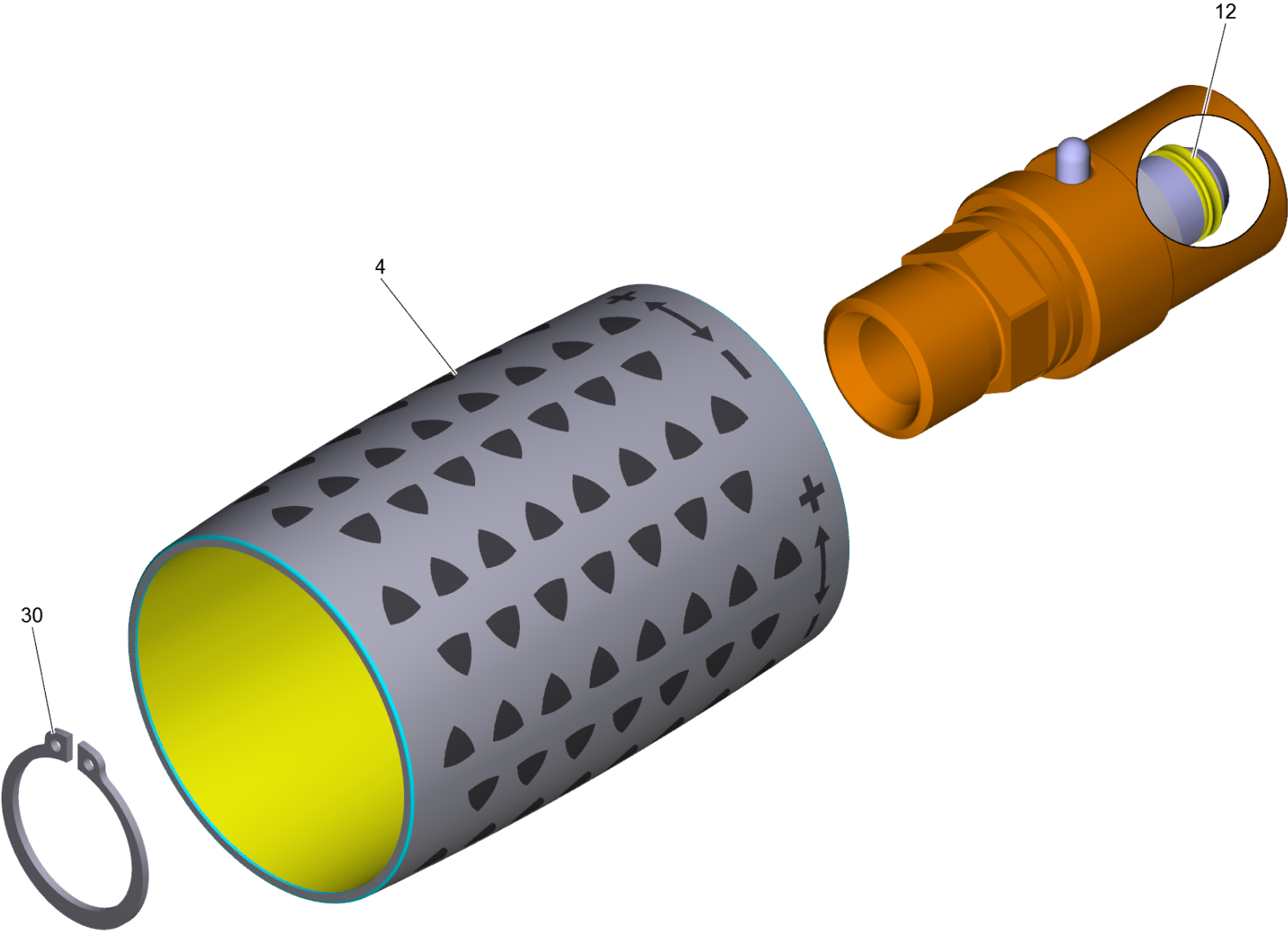
POS	Article no.	Description	Quantity	Unit
0	7.777-999.0	Stockpiling discontinued	1	PC
1	5.321-534.0	Handhold few	1	PC
2	7.303-096.0	Screw 4x22-ST-10.9-R2R (IN6RD)	8	PC
3	5.322-012.0	Hand wheel	1	PC
4	6.362-642.0	O-Ring d. 7,65x1,78 -NBR 80	1	PC
5	5.481-178.0	Lever	1	PC
6	5.404-079.0	Hollow screw	1	PC
7	5.553-348.0	Piston	1	PC
8	5.581-243.0	Valve seat	1	PC
9	6.362-182.0	O-Ring seal 7,65x1,78 - NBR 90	2	PC
10	5.332-413.0	Helical spring	1	PC
11	6.362-964.0	O-Ring seal complete	1	PC
12	5.427-214.0	Manifold	1	PC
13	6.362-992.0	O-Ring seal complete 2,6X1,9	1	PC
14	5.316-400.0	Bolt	1	PC
15	5.110-596.0	Sleeve	1	PC
16	4.037-013.0	Hook	1	PC
17	6.362-503.0	O-Ring seal 8,0 X 1,0	1	PC
18	2.883-888.0	Spare parts set	1	PC
19	4.363-691.0	O-Ring seal kpl. -nur fuer Ersatz-	1	PC
20	6.390-025.0	Hose assembly DN8 max.31,5MPa 10m	1	PC
21	2.880-990.0	Spare part set O-Ring 5x -Kaercher	1	PC
22	4.775-470.0	Rotary controller 416L	1	PC
	Item text1: 1.374-101/-102/-201/-202			
22	4.775-471.0	Rotary controller 700L	1	PC
	Item text1: 1.374-301/-302			
23	7.343-069.0	Locking ring 25x1,2-1.4122 DIN 471	1	PC
24	5.321-668.0	Handle	1	PC
25	4.363-692.0	Grooved ring kpl. -nur fuer Ersatz-	1	PC

18 Spare parts set (2.883-888.0)

POS	Article no.	Description	Quantity	Unit
10	5.404-079.0	Hollow screw	1	PC
20	5.581-243.0	Valve seat	1	PC
30	6.362-182.0	O-Ring seal 7,65x1,78 - NBR 90	1	PC
40	6.362-503.0	O-Ring seal 8,0 X 1,0	1	PC

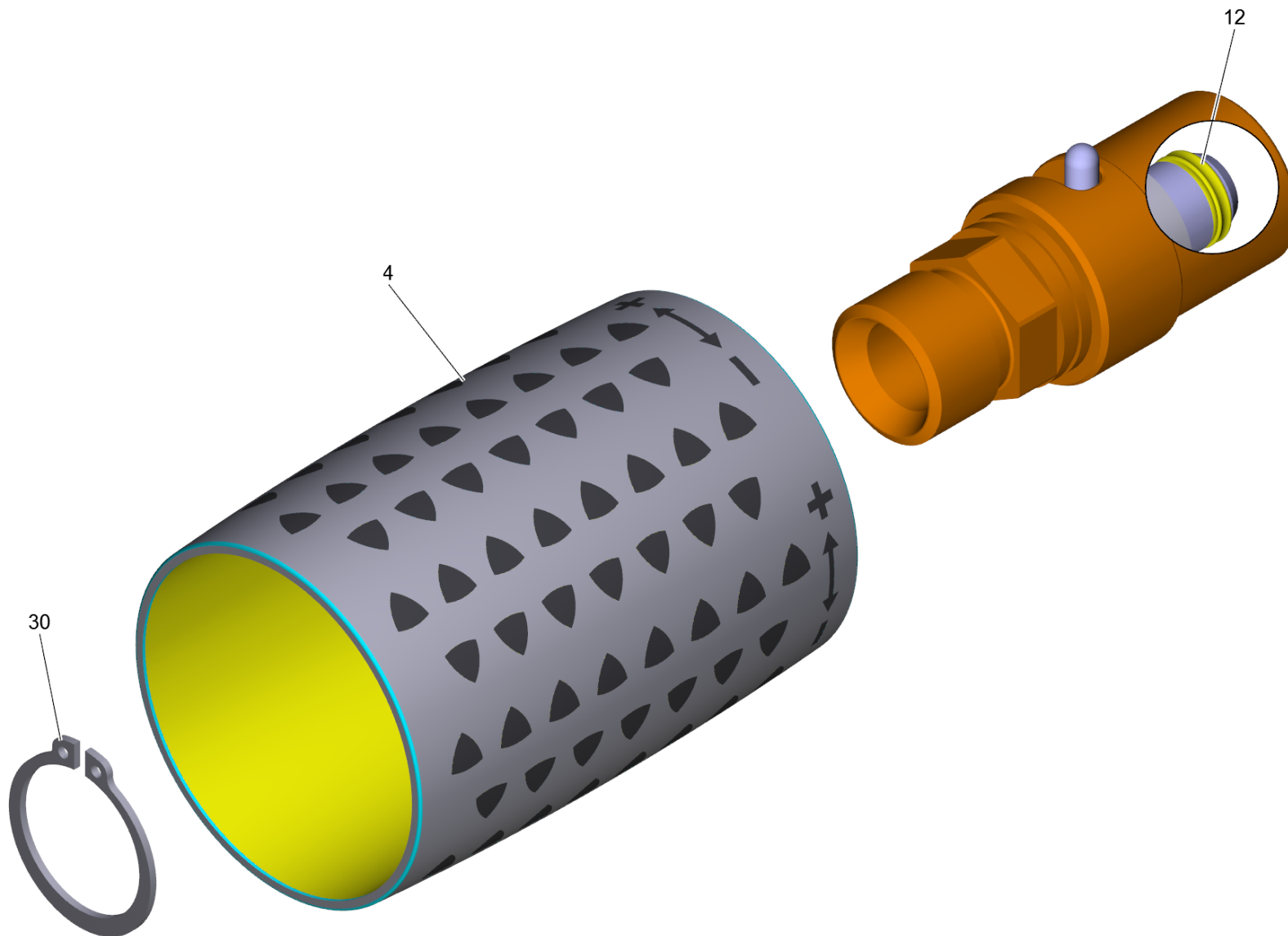
20 Hose assembly DN8 max.31,5MPa 10m (6.390-025.0)

POS	Article no.	Description	Quantity	Unit
10	5.110-673.0	Sleeve for DN 8	1	PC



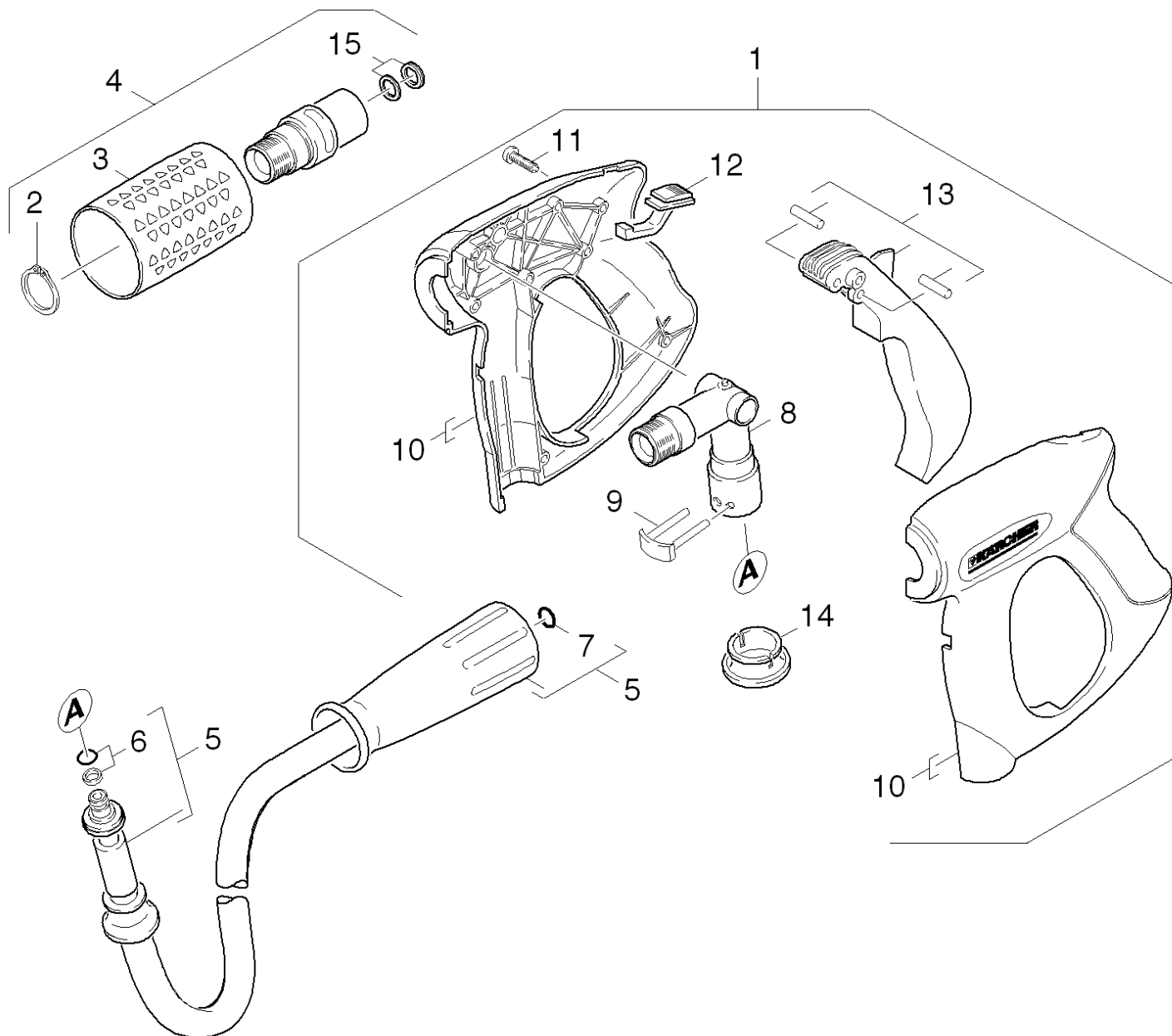
22 Rotary controller 416L (4.775-470.0)

POS	Article no.	Description	Quantity	Unit
4	5.321-668.0	Handle	1	PC
12	2.880-001.0	Spare part set seals TR	1	PC
30	7.343-069.0	Locking ring 25x1,2-1.4122 DIN 471	1	PC



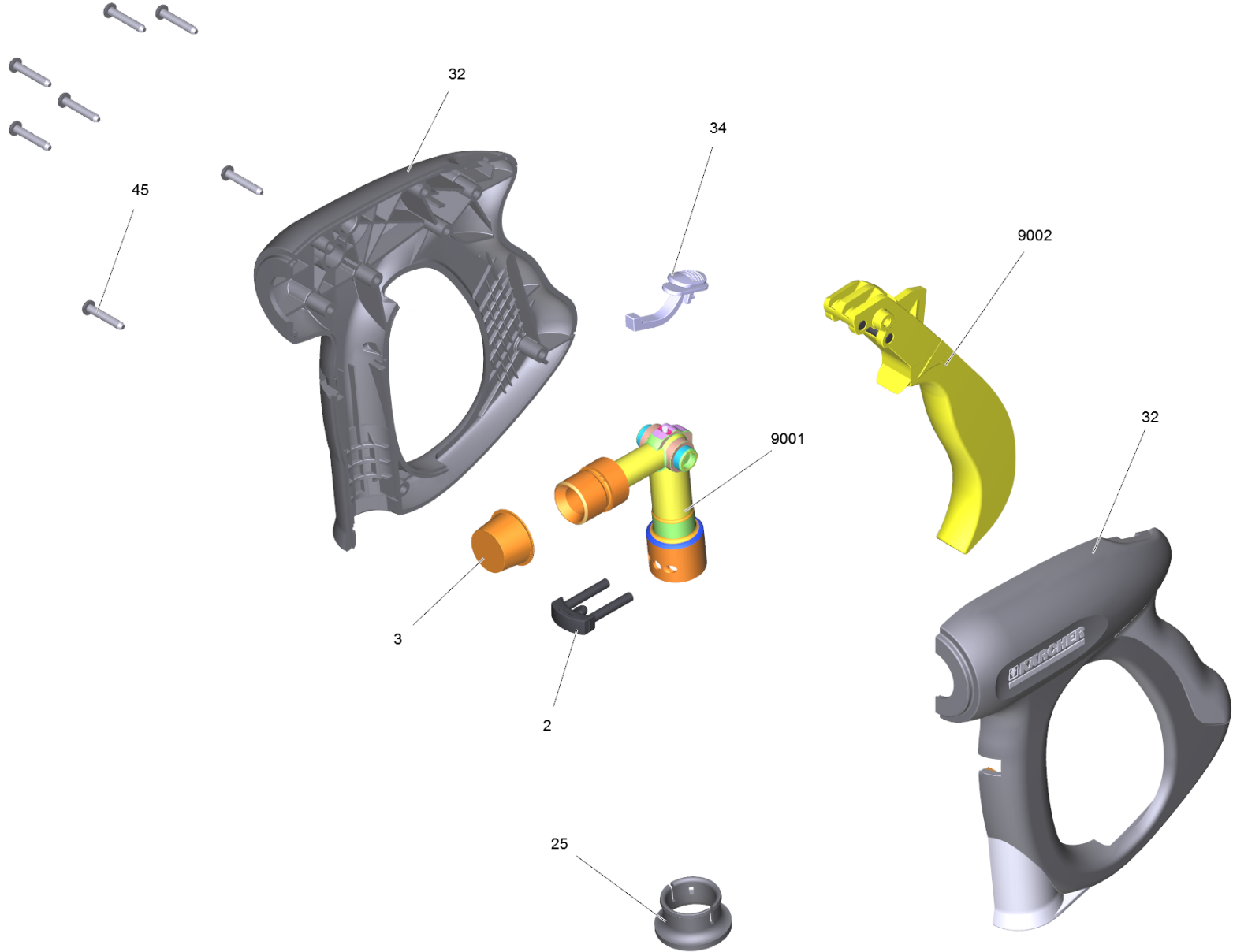
22 Rotary controller 700L (4.775-471.0)

POS	Article no.	Description	Quantity	Unit
4	5.321-668.0	Handle	1	PC
12	2.880-001.0	Spare part set seals TR	1	PC
30	7.343-069.0	Locking ring 25x1,2-1.4122 DIN 471	1	PC



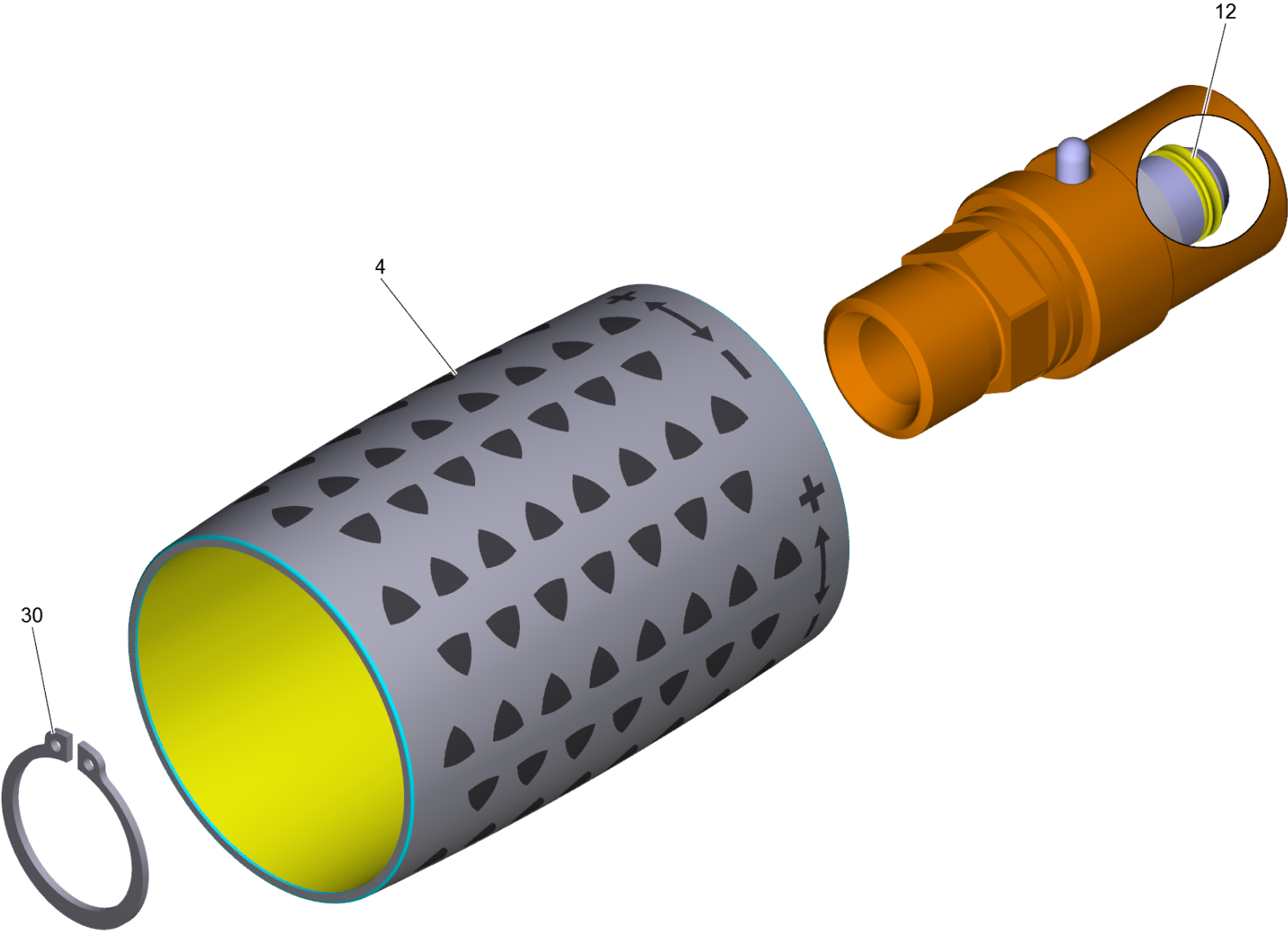
62 Hand trigger gun

POS	Article no.	Description	Quantity	Unit
1	4.775-463.0	HAND TRIGGER GUN EASY PRESS	1	PC
2	7.343-008.0	Locking ring 25x1,2-St-vz DIN 471	1	PC
3	5.321-668.0	Handle	1	PC
4	4.775-470.0	Rotary controller 416L	1	PC
5	6.390-025.0	Hose assembly DN8 max.31,5MPa 10m	1	PC
6	4.363-691.0	O-Ring seal kpl. -nur fuer Ersatz-	1	PC
7	2.880-990.0	Spare part set O-Ring 5x -Kaercher	1	PC
8	4.427-215.3	Manifold cpl. only for replacement	1	PC
9	4.037-013.0	Hook	1	PC
10	5.321-669.3	Handhold few	1	PC
11	7.303-096.0	Screw 4x22-ST-10.9-R2R (IN6RD)	7	PC
12	5.481-331.0	Slider	1	PC
13	4.481-209.3	Lever complete for replacement	1	PC
14	5.110-596.0	Sleeve	1	PC
15	4.363-692.0	Grooved ring kpl. -nur fuer Ersatz-	1	PC



1 HAND TRIGGER GUN EASY PRESS (4.775-463.0)

POS	Article no.	Description	Quantity	Unit
2	4.037-013.0	Hook	1	PC
3	6.368-012.0	Protecting cap 22X1,5	1	PC
4	6.869-075.0	Metal bonding agent 1,5 ml	1	PC
cart_info_txt: This material is not available due to hazardous good regulation. Please procure this or a similar material from a local supplier of your choice.				
25	5.110-596.0	Sleeve	1	PC
32	5.321-669.3	Handhold few	1	PC
34	5.481-331.0	Slider	1	PC
45	7.303-096.0	Screw 4x22-ST-10.9-R2R (IN6RD)	7	PC
1041	6.288-044.0	Silicon grease 100 G	1	PC
9001	4.427-215.3	Manifold cpl. only for replacement	1	PC
9002	4.481-209.3	Lever complete for replacement	1	PC

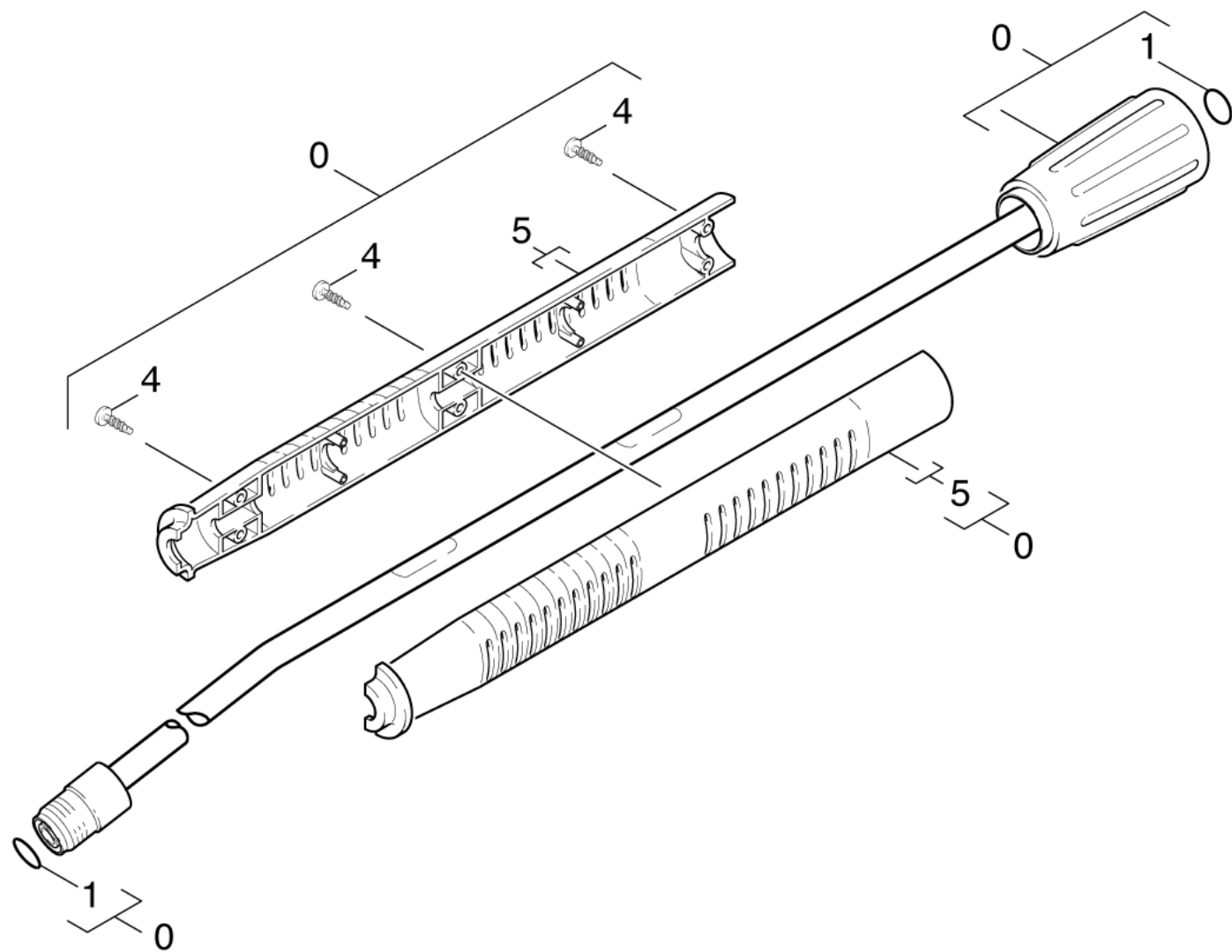


4 Rotary controller 416L (4.775-470.0)

POS	Article no.	Description	Quantity	Unit
4	5.321-668.0	Handle	1	PC
12	2.880-001.0	Spare part set seals TR	1	PC
30	7.343-069.0	Locking ring 25x1,2-1.4122 DIN 471	1	PC

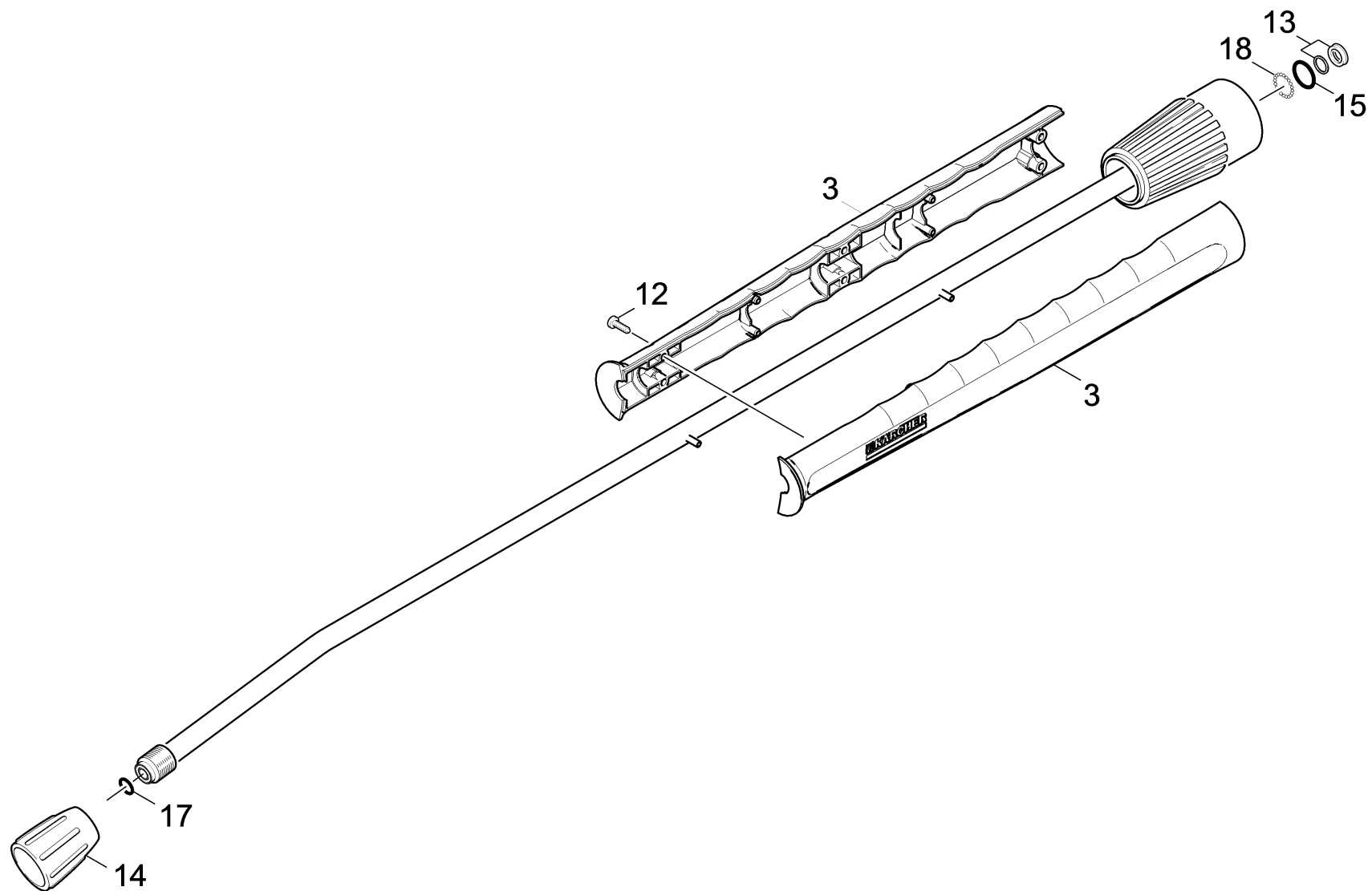
5 Hose assembly DN8 max.31,5MPa 10m (6.390-025.0)

POS	Article no.	Description	Quantity	Unit
10	5.110-673.0	Sleeve for DN 8	1	PC



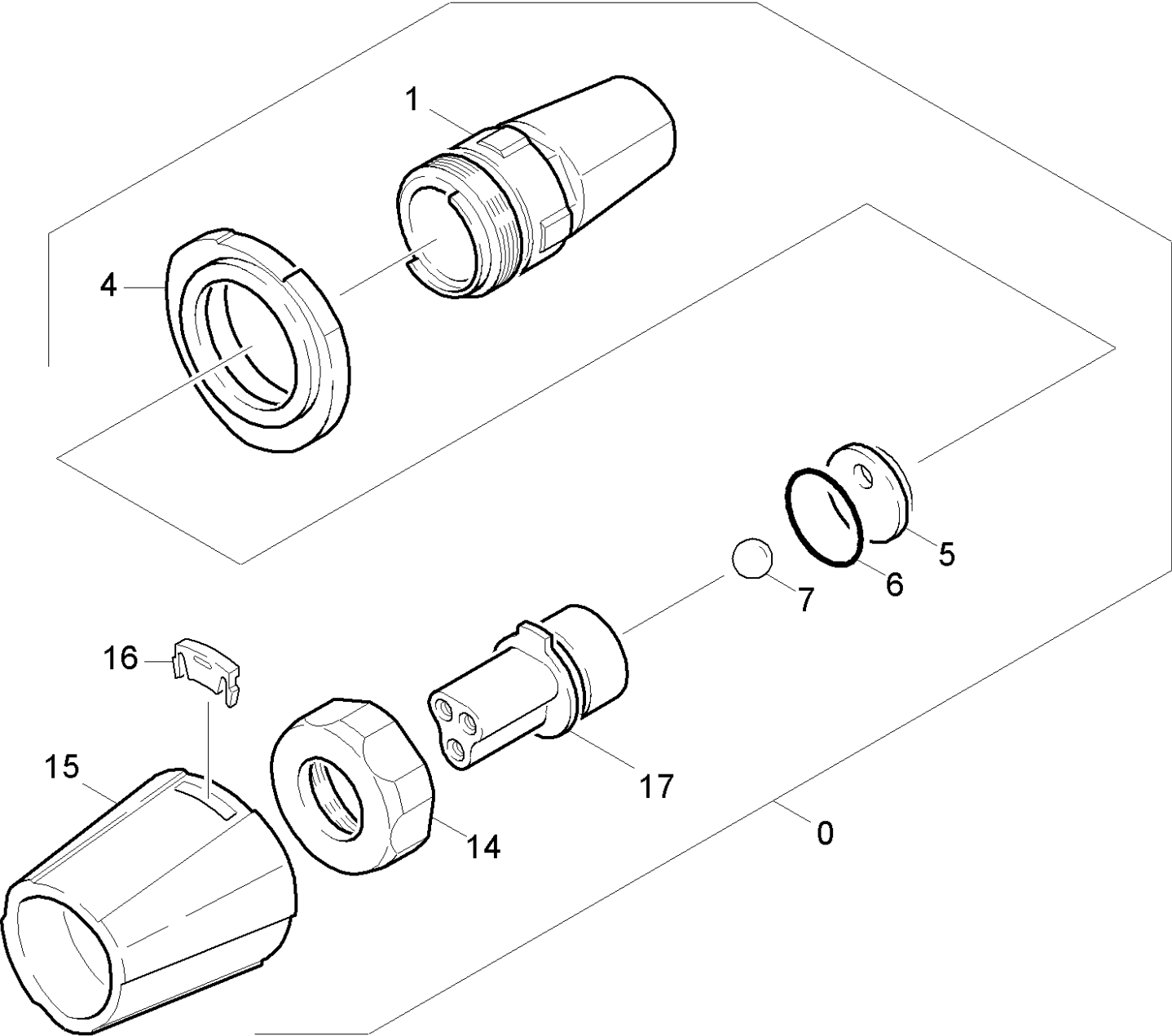
63 Jet pipe

POS	Article no.	Description	Quantity	Unit
0	4.760-660.0	Jet pipe packaged only for replacement	1	PC
1	2.880-990.0	Spare part set O-Ring 5x -Kaercher	1	PC
4	6.303-199.0	Oval head screw 4,2x 16	6	PC
5	5.322-083.3	Handhold few extended Low End	1	PC



Jet pipe packaged only for replacement (4.760-660.0)

POS	Article no.	Description	Quantity	Unit
3	5.321-855.3	Handhold few jet pipe with welding bolt packed	1	PC
12	7.303-129.0	Screw 4x16-10.9-R2R (K-In6Rd)	6	PC
13	4.363-692.0	Grooved ring kpl. -nur fuer Ersatz-	1	PC
14	5.401-210.0	Screw connector part	1	PC
15	6.362-524.0	O-Ring seal 17,0 X 1,5	1	PC
17	2.880-990.0	Spare part set O-Ring 5x -Kaercher	1	PC
18	7.401-915.0	Sphere 2,5 G20 -1.4034 DIN 5401	1	PC



64 Nozzle

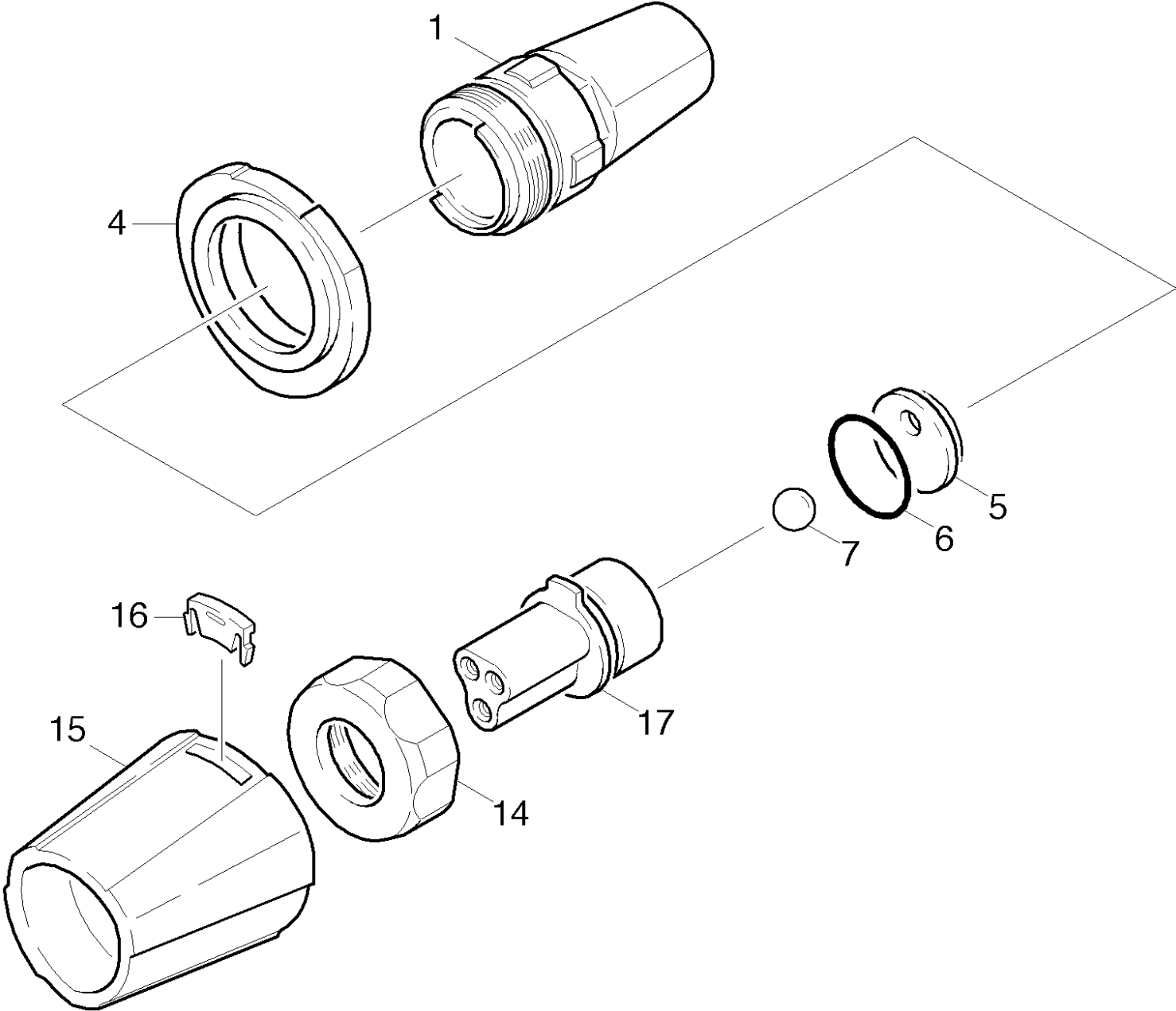
POS	Article no.	Description	Quantity	Unit
0	4.767-002.0	Triple jet nozzle 045	1	PC
	Item text1: / 1.374-201.0 / -202.0			
0	4.767-019.0	Triple jet nozzle 065	1	PC
	Item text1: / 1.374-101.0 / -102.0			
0	4.767-106.0	Triple jet nozzle 100	1	PC
	Item text1: / 1.374-301.0 / -302.0			
1	4.060-395.0	Housing complete only for replacement	1	PC
4	5.394-401.0	Protection part	1	PC
5	5.031-370.0	Moulded part	1	PC
6	6.363-612.0	O-Ring seal 22 x 2 -NBR90	1	PC
7	7.401-917.0	Sphere 10,0 G100-1.4301 DIN 5401	1	PC
14	5.311-192.0	Union nut	1	PC
15	5.394-402.0	Protection part	1	PC
16	5.031-709.0	Moulded part	1	PC
17	4.764-139.0	Nozzle holder only for replacement 045	1	PC
	Item text1: / 1.374-201.0 / -202.0			
17	4.764-148.0	Nozzle holder only for replacement 065	1	PC
	Item text1: / 1.374-101.0 / -102.0			
17	4.764-173.0	Nozzle holder 0100	1	PC
	Item text1: / 1.374-301.0 / -302.0			

Triple jet nozzle 045 (4.767-002.0)

POS	Article no.	Description	Quantity	Unit
2	5.958-516.0	Spare parts list triple jet nozzle	1	PC
Item text2: 47670020				

2 Spare parts list triple jet nozzle (5.958-516.0)

POS	Description	Quantity	Unit
10	Triple jet nozzle	1	PC



10 Triple jet nozzle

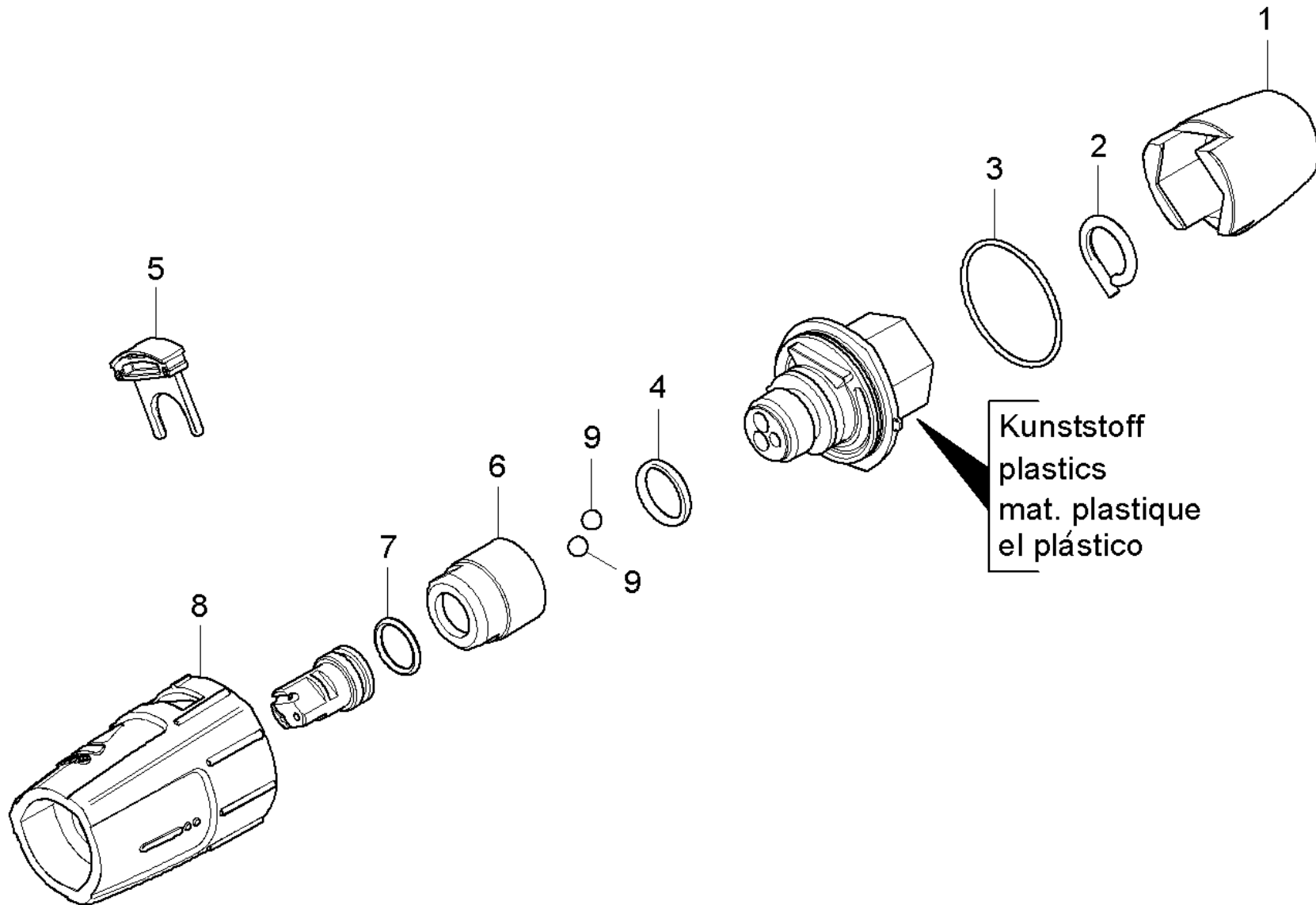
POS	Article no.	Description	Quantity	Unit
1	4.060-395.0	Housing complete only for replacement	1	PC
4	5.394-401.0	Protection part	1	PC
5	5.031-370.0	Moulded part	1	PC
6	6.363-612.0	O-Ring seal 22 x 2 -NBR90	1	PC
7	7.401-917.0	Sphere 10,0 G100-1.4301 DIN 5401	1	PC
14	5.311-192.0	Union nut	1	PC
15	5.394-402.0	Protection part	1	PC
16	5.031-709.0	Moulded part	1	PC
17	4.767-148.0	Triple jet nozzle replacement 036	1	PC
17	7.777-999.0	Stockpiling discontinued	1	PC
17	7.777-999.0	Stockpiling discontinued	1	PC
17	7.777-999.0	Stockpiling discontinued	1	PC
17	4.764-139.0	Nozzle holder only for replacement 045	1	PC
17	4.767-148.0	Triple jet nozzle replacement 036	1	PC
17	4.767-015.0	Nozzle holder only for replacement 037	1	PC
17	4.764-148.0	Nozzle holder only for replacement 065	1	PC
17	4.764-141.0	Nozzle holder 05	1	PC
17	4.764-138.0	Nozzle holder only for replacement 034	1	PC
17	7.777-999.0	Stockpiling discontinued	1	PC

17 Triple jet nozzle replacement 036 (4.767-148.0)

POS	Article no.	Description	Quantity	Unit
2	5.970-837.0	Spare parts list triple jet nozzle	1	PC

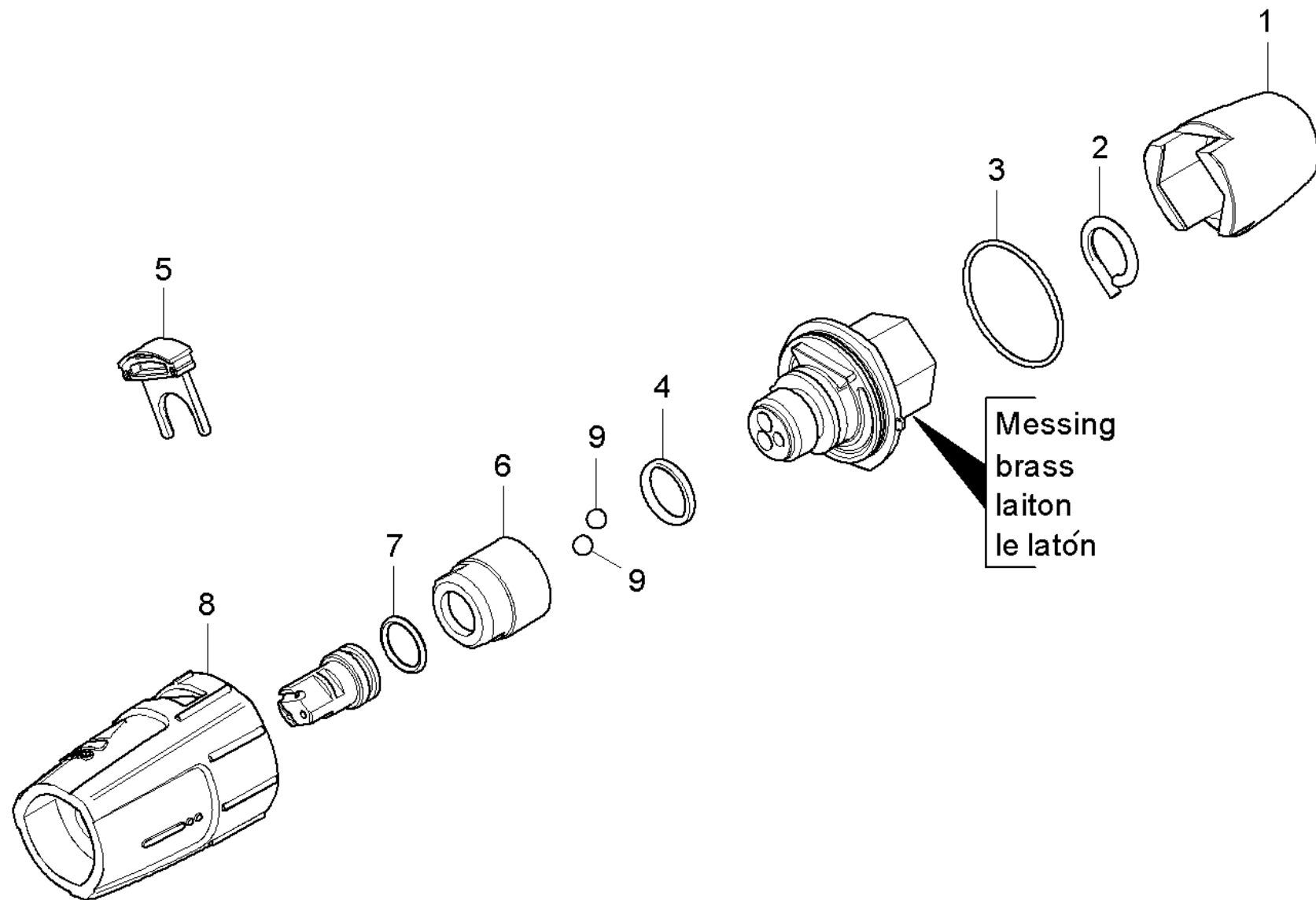
2 Spare parts list triple jet nozzle (5.970-837.0)

POS	Description	Quantity	Unit
10	Triple jet nozzle plastics	1	PC
20	Triple jet nozzle brass	1	PC



10 Triple jet nozzle plastics

POS	Article no.	Description	Quantity	Unit
1	5.394-530.0	Protection part complete	1	PC
2	6.343-150.0	Pin 03	1	PC
3	6.362-409.0	O-Ring seal 32,0 X 1,5	1	PC
4	7.362-039.0	O-Ring seal 15,5x1,5 -NBR70 DIN 3771	1	PC
5	5.321-884.0	Clamp	1	PC
6	5.311-236.0	Nut	1	PC
7	6.362-480.0	O-Ring seal 12,42x 1,78	1	PC
8	5.394-874.0	Protection part	1	PC
9	7.401-902.0	Sphere 5 G20 -1.4034 DIN 5401	2	PC



20 Triple jet nozzle brass

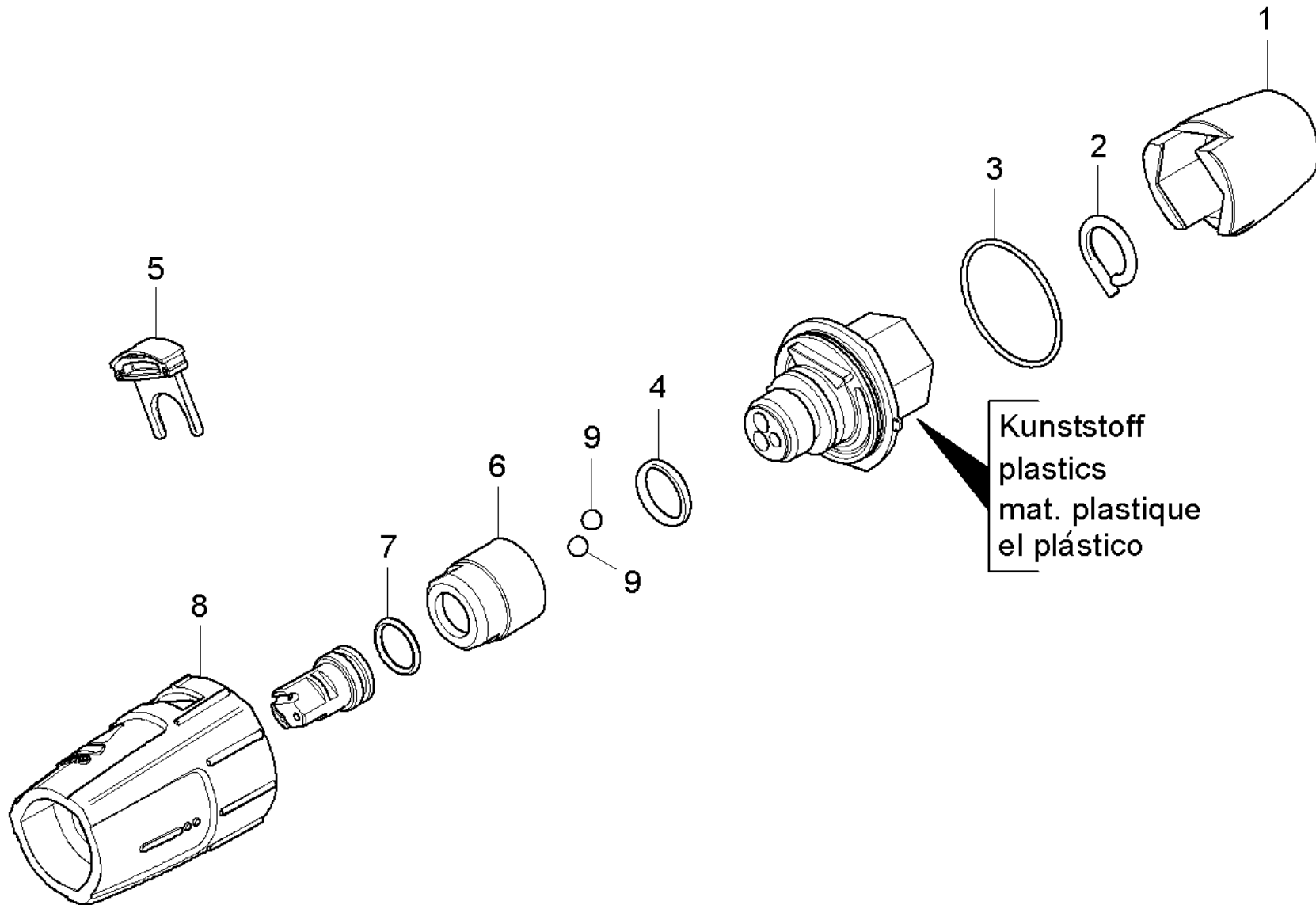
POS	Article no.	Description	Quantity	Unit
1	5.394-530.0	Protection part complete	1	PC
2	6.343-150.0	Pin 03	1	PC
3	6.362-409.0	O-Ring seal 32,0 X 1,5	1	PC
4	6.362-460.0	O-Ring seal 14,0 X 2,5-NBR 70	1	PC
5	5.321-884.0	Clamp	1	PC
6	5.311-225.0	Nut	1	PC
7	6.362-480.0	O-Ring seal 12,42x 1,78	1	PC
8	5.394-859.0	Protection part	1	PC
9	7.401-902.0	Sphere 5 G20 -1.4034 DIN 5401	2	PC

17 Triple jet nozzle replacement 036 (4.767-148.0)

POS	Article no.	Description	Quantity	Unit
2	5.970-837.0	Spare parts list triple jet nozzle	1	PC

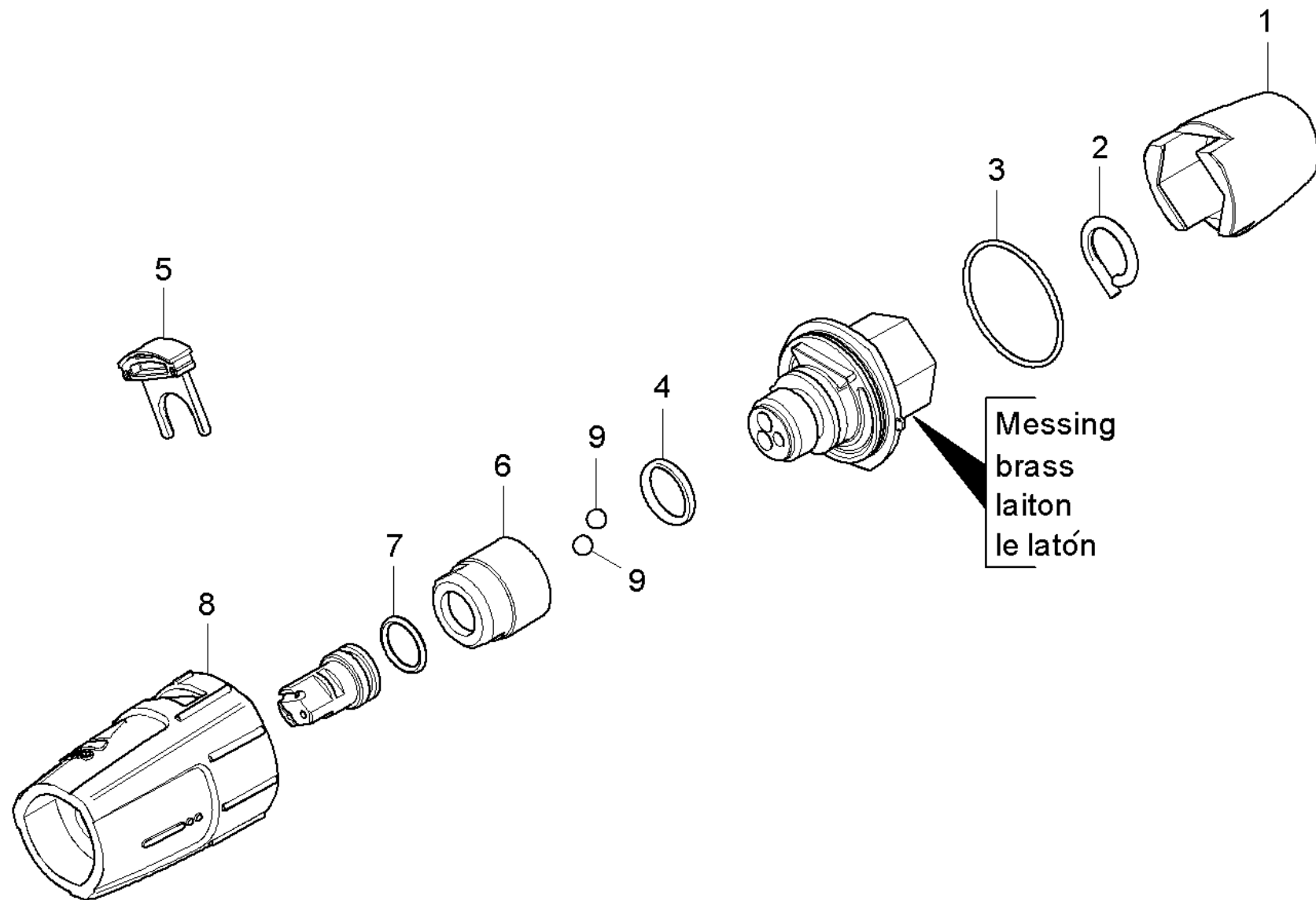
2 Spare parts list triple jet nozzle (5.970-837.0)

POS	Description	Quantity	Unit
10	Triple jet nozzle plastics	1	PC
20	Triple jet nozzle brass	1	PC



10 Triple jet nozzle plastics

POS	Article no.	Description	Quantity	Unit
1	5.394-530.0	Protection part complete	1	PC
2	6.343-150.0	Pin 03	1	PC
3	6.362-409.0	O-Ring seal 32,0 X 1,5	1	PC
4	7.362-039.0	O-Ring seal 15,5x1,5 -NBR70 DIN 3771	1	PC
5	5.321-884.0	Clamp	1	PC
6	5.311-236.0	Nut	1	PC
7	6.362-480.0	O-Ring seal 12,42x 1,78	1	PC
8	5.394-874.0	Protection part	1	PC
9	7.401-902.0	Sphere 5 G20 -1.4034 DIN 5401	2	PC



20 Triple jet nozzle brass

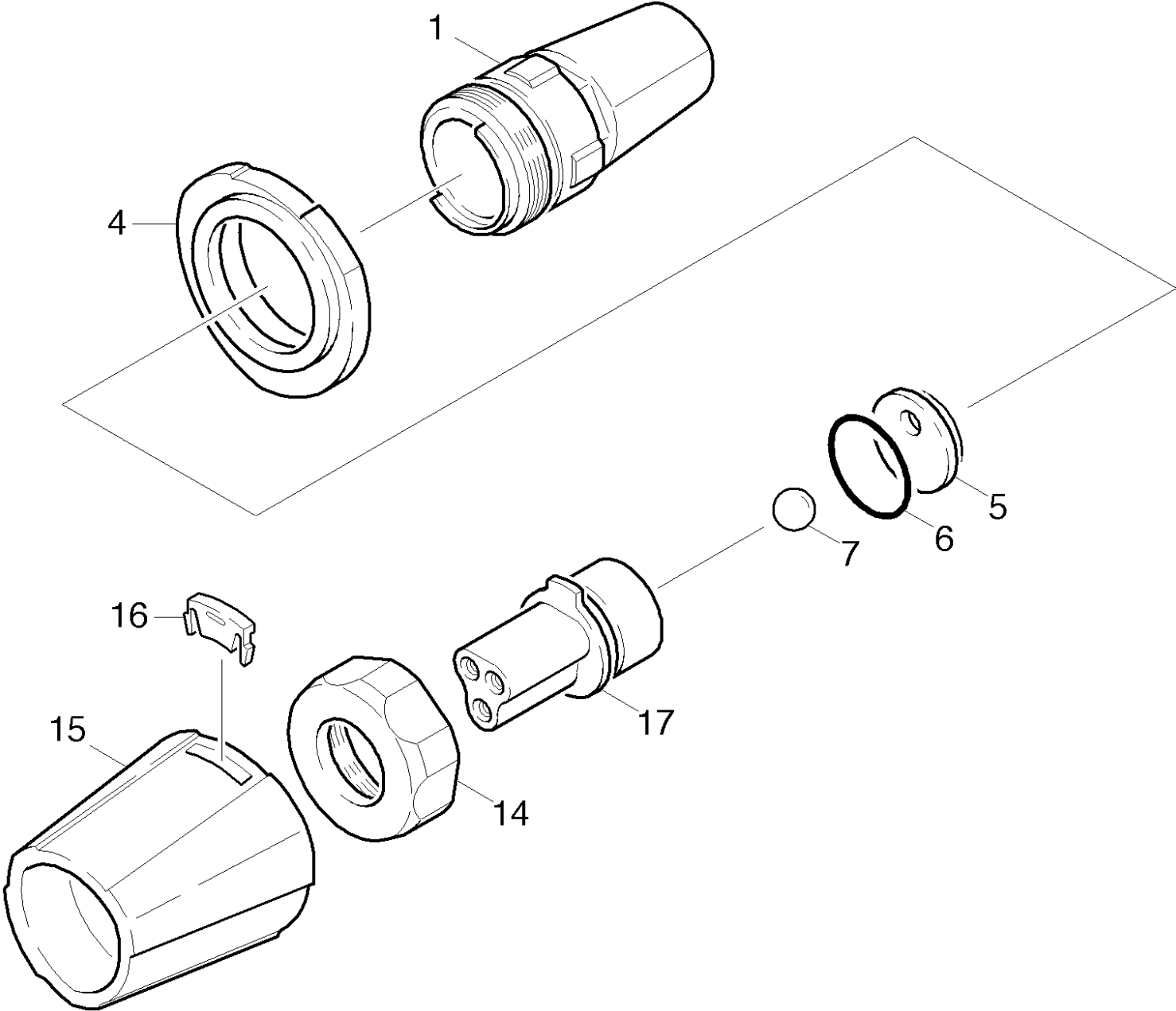
POS	Article no.	Description	Quantity	Unit
1	5.394-530.0	Protection part complete	1	PC
2	6.343-150.0	Pin 03	1	PC
3	6.362-409.0	O-Ring seal 32,0 X 1,5	1	PC
4	6.362-460.0	O-Ring seal 14,0 X 2,5-NBR 70	1	PC
5	5.321-884.0	Clamp	1	PC
6	5.311-225.0	Nut	1	PC
7	6.362-480.0	O-Ring seal 12,42x 1,78	1	PC
8	5.394-859.0	Protection part	1	PC
9	7.401-902.0	Sphere 5 G20 -1.4034 DIN 5401	2	PC

Triple jet nozzle 065 (4.767-019.0)

POS	Article no.	Description	Quantity	Unit
2	5.958-516.0	Spare parts list triple jet nozzle	1	PC
Item text2: 47670190				

2 Spare parts list triple jet nozzle (5.958-516.0)

POS	Description	Quantity	Unit
10	Triple jet nozzle	1	PC



10 Triple jet nozzle

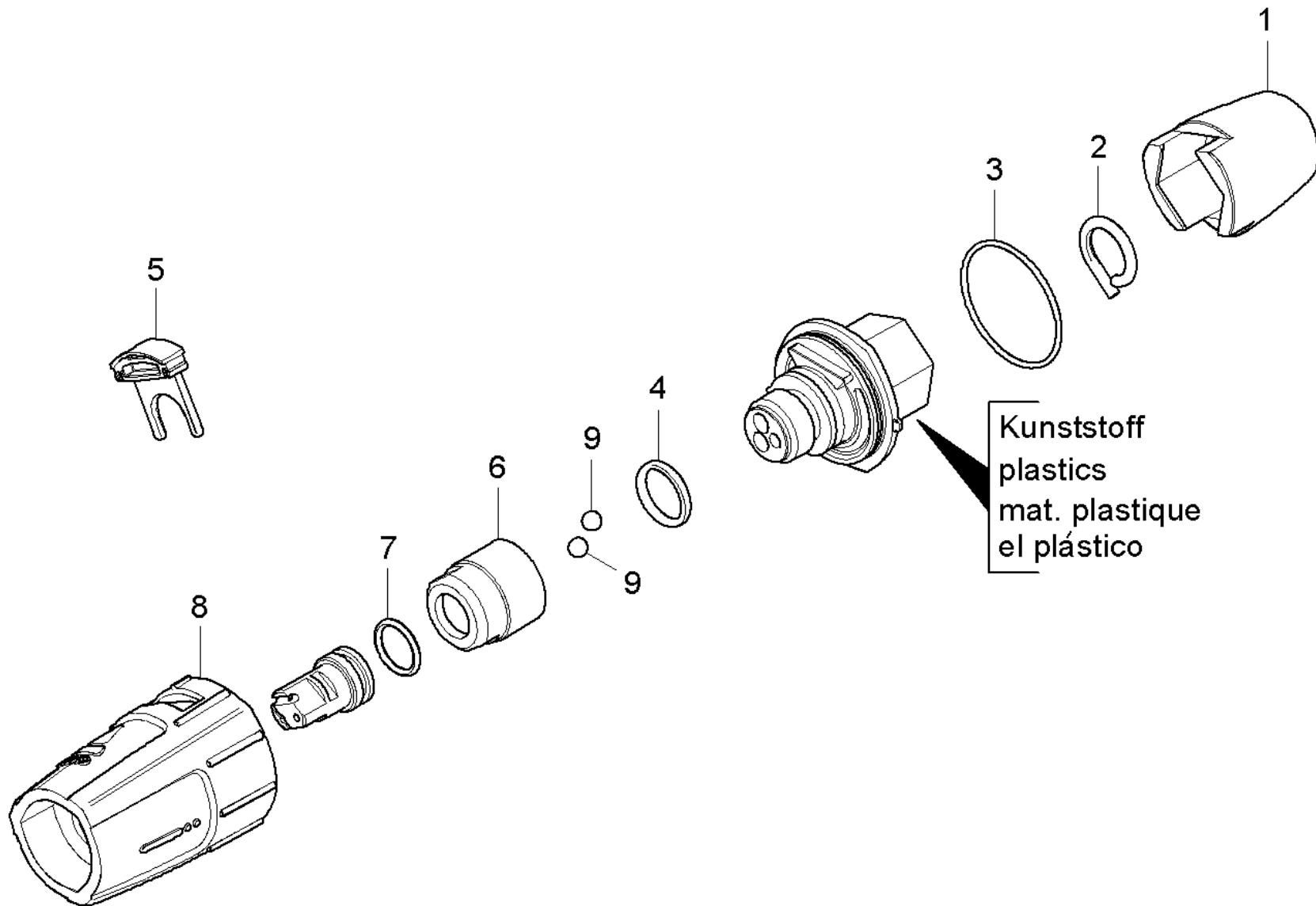
POS	Article no.	Description	Quantity	Unit
1	4.060-395.0	Housing complete only for replacement	1	PC
4	5.394-401.0	Protection part	1	PC
5	5.031-370.0	Moulded part	1	PC
6	6.363-612.0	O-Ring seal 22 x 2 -NBR90	1	PC
7	7.401-917.0	Sphere 10,0 G100-1.4301 DIN 5401	1	PC
14	5.311-192.0	Union nut	1	PC
15	5.394-402.0	Protection part	1	PC
16	5.031-709.0	Moulded part	1	PC
17	4.767-148.0	Triple jet nozzle replacement 036	1	PC
17	7.777-999.0	Stockpiling discontinued	1	PC
17	7.777-999.0	Stockpiling discontinued	1	PC
17	7.777-999.0	Stockpiling discontinued	1	PC
17	4.764-139.0	Nozzle holder only for replacement 045	1	PC
17	4.767-148.0	Triple jet nozzle replacement 036	1	PC
17	4.767-015.0	Nozzle holder only for replacement 037	1	PC
17	4.764-148.0	Nozzle holder only for replacement 065	1	PC
17	4.764-141.0	Nozzle holder 05	1	PC
17	4.764-138.0	Nozzle holder only for replacement 034	1	PC
17	7.777-999.0	Stockpiling discontinued	1	PC

17 Triple jet nozzle replacement 036 (4.767-148.0)

POS	Article no.	Description	Quantity	Unit
2	5.970-837.0	Spare parts list triple jet nozzle	1	PC

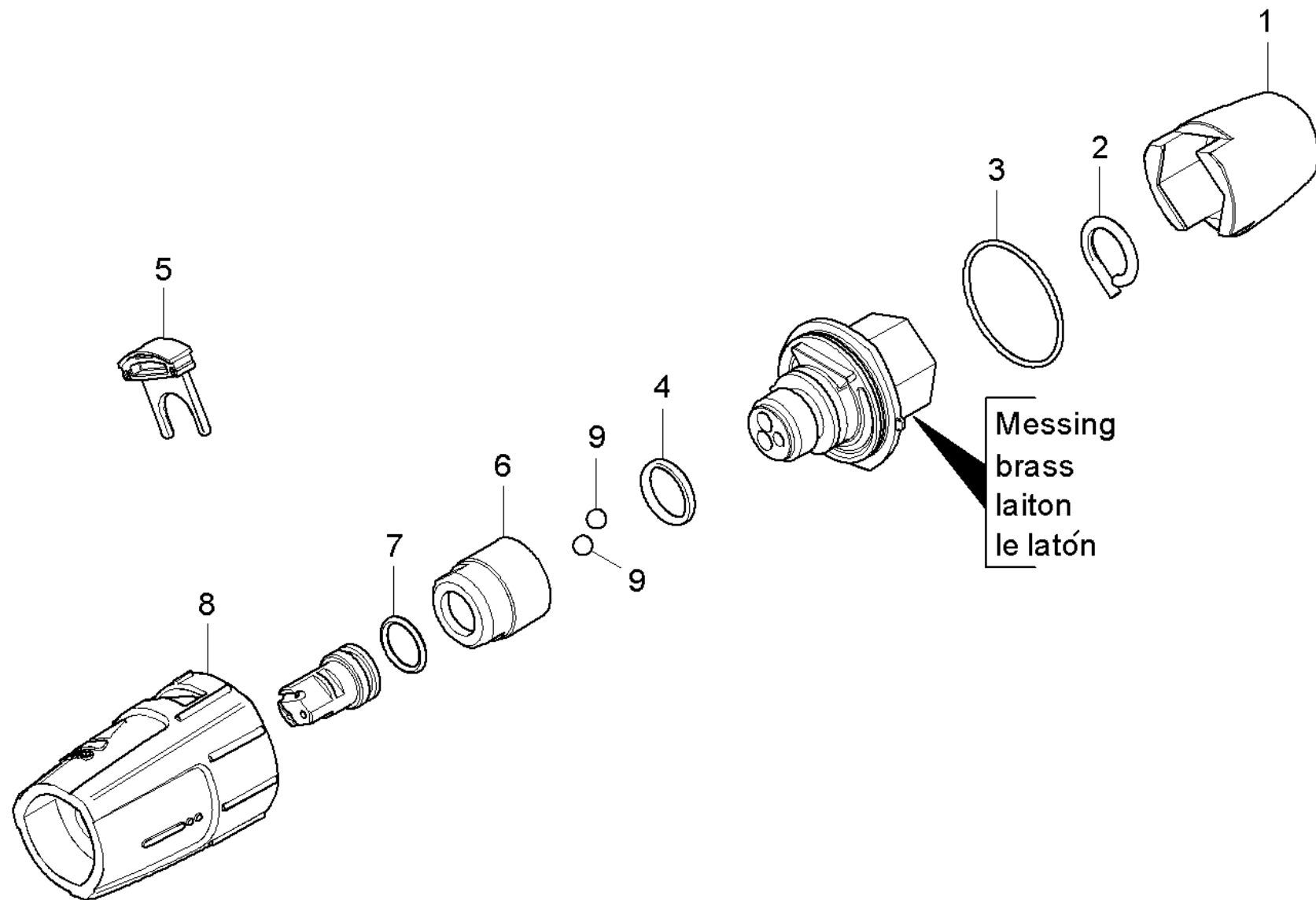
2 Spare parts list triple jet nozzle (5.970-837.0)

POS	Description	Quantity	Unit
10	Triple jet nozzle plastics	1	PC
20	Triple jet nozzle brass	1	PC



10 Triple jet nozzle plastics

POS	Article no.	Description	Quantity	Unit
1	5.394-530.0	Protection part complete	1	PC
2	6.343-150.0	Pin 03	1	PC
3	6.362-409.0	O-Ring seal 32,0 X 1,5	1	PC
4	7.362-039.0	O-Ring seal 15,5x1,5 -NBR70 DIN 3771	1	PC
5	5.321-884.0	Clamp	1	PC
6	5.311-236.0	Nut	1	PC
7	6.362-480.0	O-Ring seal 12,42x 1,78	1	PC
8	5.394-874.0	Protection part	1	PC
9	7.401-902.0	Sphere 5 G20 -1.4034 DIN 5401	2	PC



20 Triple jet nozzle brass

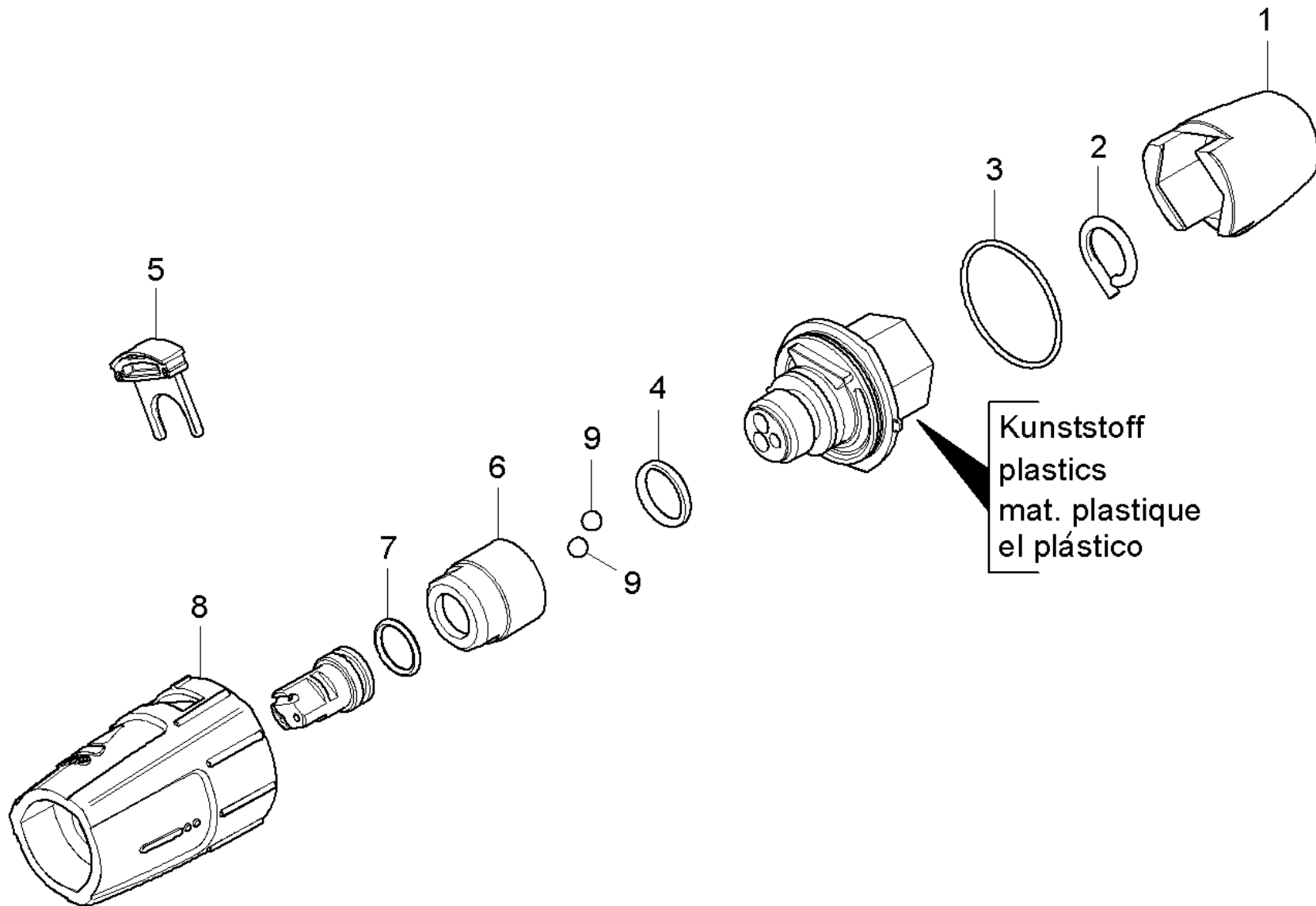
POS	Article no.	Description	Quantity	Unit
1	5.394-530.0	Protection part complete	1	PC
2	6.343-150.0	Pin 03	1	PC
3	6.362-409.0	O-Ring seal 32,0 X 1,5	1	PC
4	6.362-460.0	O-Ring seal 14,0 X 2,5-NBR 70	1	PC
5	5.321-884.0	Clamp	1	PC
6	5.311-225.0	Nut	1	PC
7	6.362-480.0	O-Ring seal 12,42x 1,78	1	PC
8	5.394-859.0	Protection part	1	PC
9	7.401-902.0	Sphere 5 G20 -1.4034 DIN 5401	2	PC

17 Triple jet nozzle replacement 036 (4.767-148.0)

POS	Article no.	Description	Quantity	Unit
2	5.970-837.0	Spare parts list triple jet nozzle	1	PC

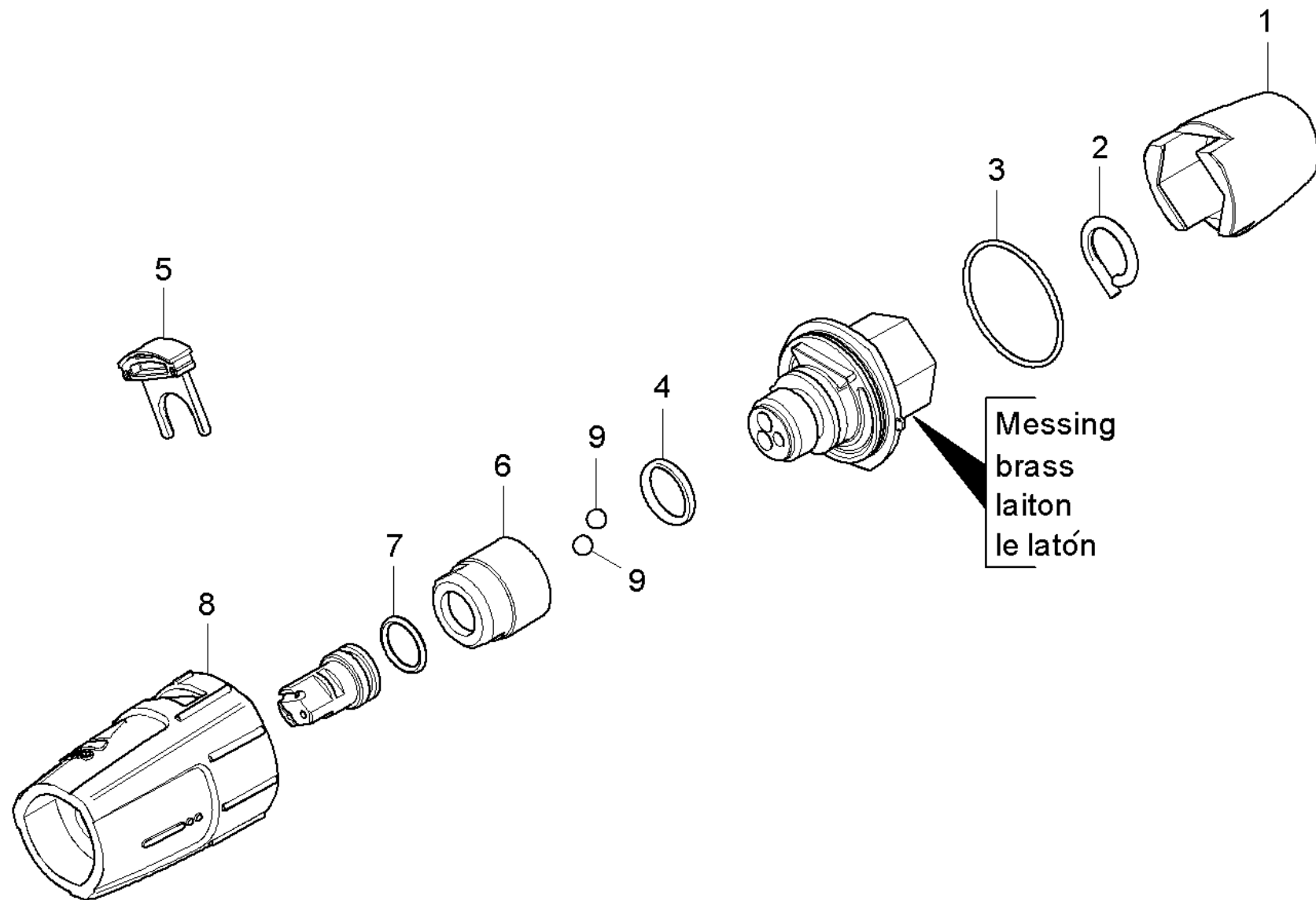
2 Spare parts list triple jet nozzle (5.970-837.0)

POS	Description	Quantity	Unit
10	Triple jet nozzle plastics	1	PC
20	Triple jet nozzle brass	1	PC



10 Triple jet nozzle plastics

POS	Article no.	Description	Quantity	Unit
1	5.394-530.0	Protection part complete	1	PC
2	6.343-150.0	Pin 03	1	PC
3	6.362-409.0	O-Ring seal 32,0 X 1,5	1	PC
4	7.362-039.0	O-Ring seal 15,5x1,5 -NBR70 DIN 3771	1	PC
5	5.321-884.0	Clamp	1	PC
6	5.311-236.0	Nut	1	PC
7	6.362-480.0	O-Ring seal 12,42x 1,78	1	PC
8	5.394-874.0	Protection part	1	PC
9	7.401-902.0	Sphere 5 G20 -1.4034 DIN 5401	2	PC



20 Triple jet nozzle brass

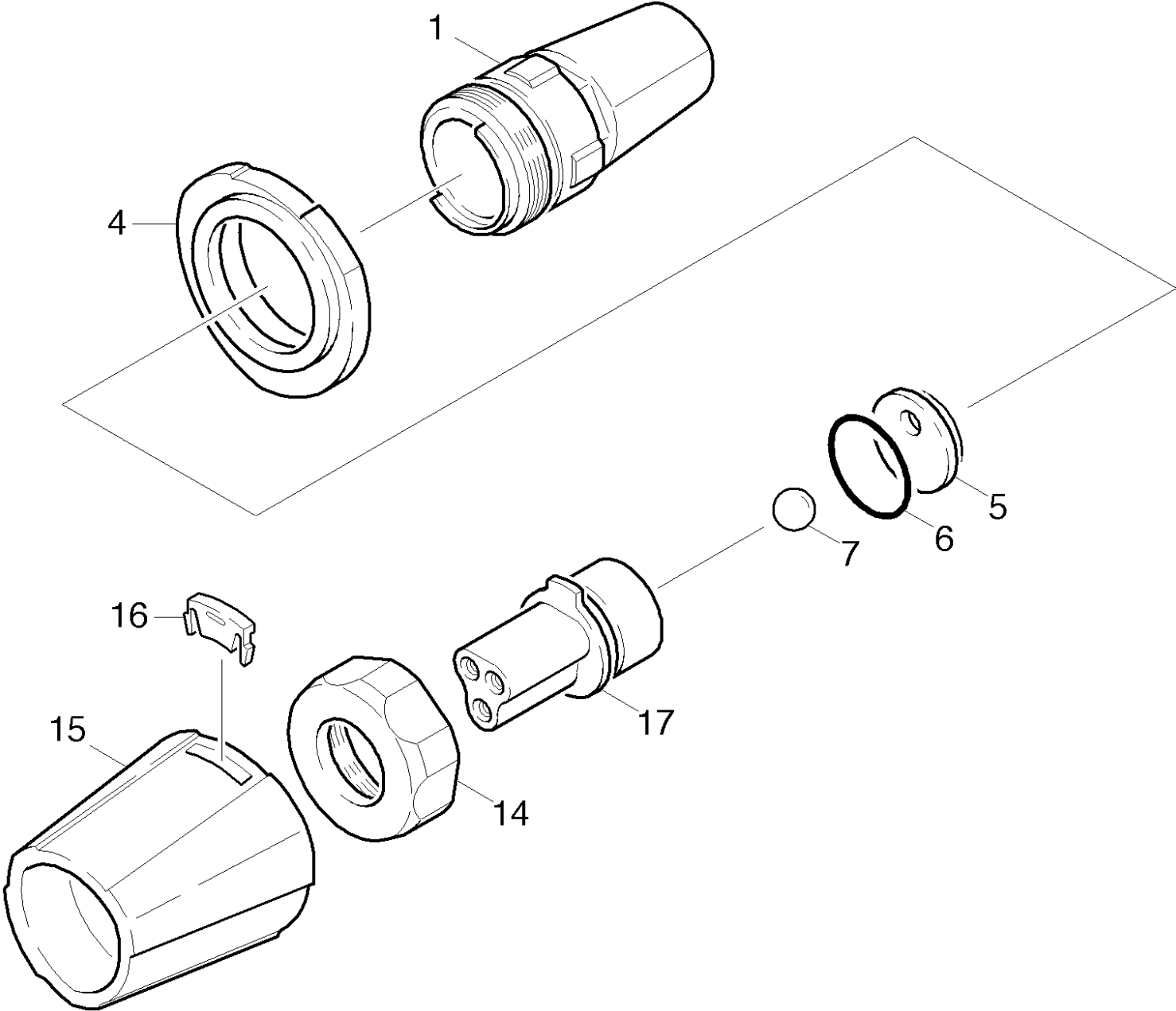
POS	Article no.	Description	Quantity	Unit
1	5.394-530.0	Protection part complete	1	PC
2	6.343-150.0	Pin 03	1	PC
3	6.362-409.0	O-Ring seal 32,0 X 1,5	1	PC
4	6.362-460.0	O-Ring seal 14,0 X 2,5-NBR 70	1	PC
5	5.321-884.0	Clamp	1	PC
6	5.311-225.0	Nut	1	PC
7	6.362-480.0	O-Ring seal 12,42x 1,78	1	PC
8	5.394-859.0	Protection part	1	PC
9	7.401-902.0	Sphere 5 G20 -1.4034 DIN 5401	2	PC

Triple jet nozzle 100 (4.767-106.0)

POS	Article no.	Description	Quantity	Unit
20	5.970-000.0	Spare parts list triple jet nozzle	1	PC
Item text2: 47670690				

20 Spare parts list triple jet nozzle (5.970-000.0)

POS	Description	Quantity	Unit
10	Triple jet nozzle	1	PC

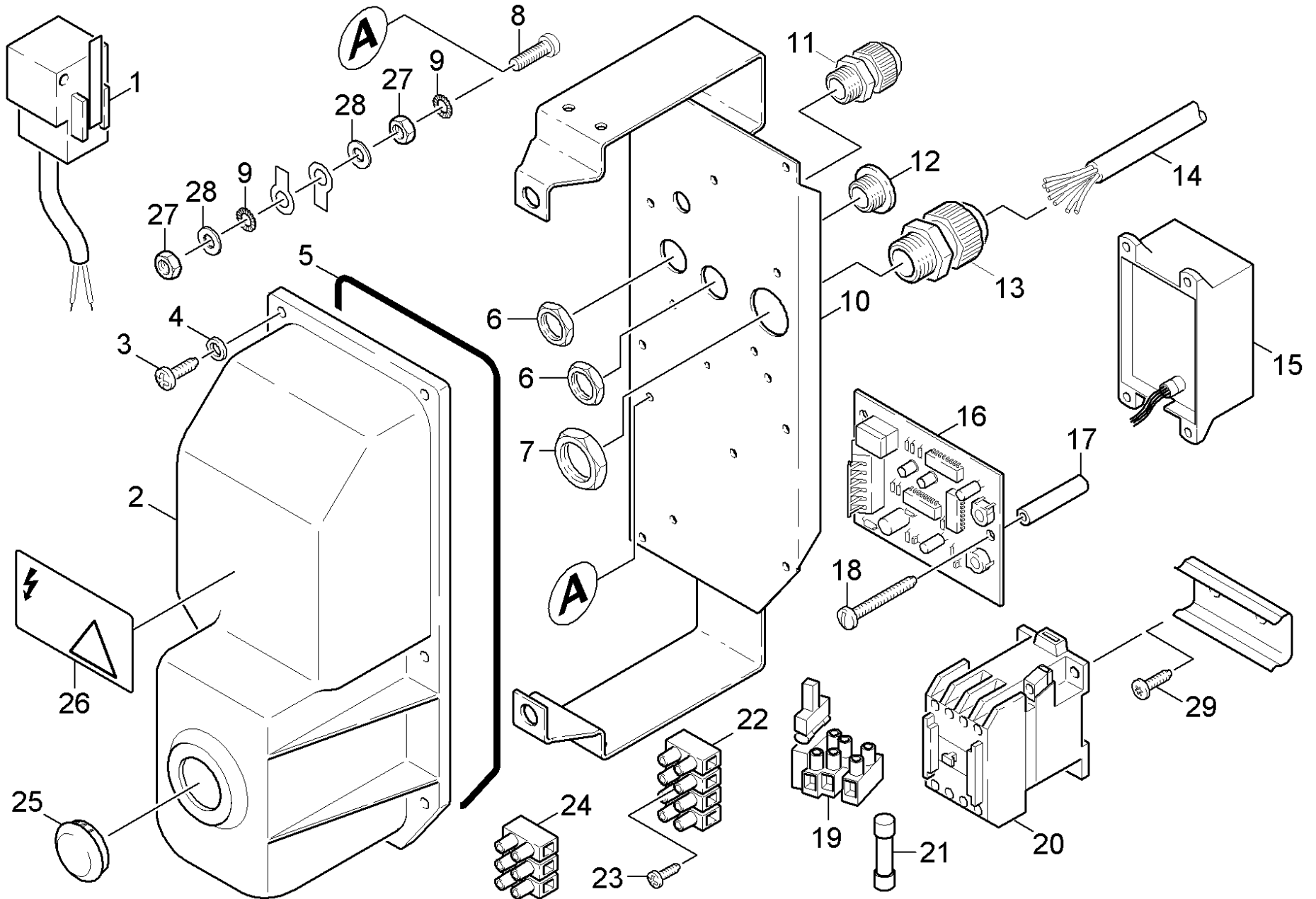


10 Triple jet nozzle

POS	Article no.	Description	Quantity	Unit	Remark
1	4.060-395.0	Housing complete only for replacement	1	PC	
4	5.394-401.0	Protection part	1	PC	
5	5.031-370.0	Moulded part	1	PC	
6	6.363-612.0	O-Ring seal 22 x 2 -NBR90	1	PC	
7	7.401-917.0	Sphere 10,0 G100-1.4301 DIN 5401	1	PC	
14	5.311-192.0	Union nut	1	PC	
15	5.394-402.0	Protection part	1	PC	
16	5.031-709.0	Moulded part	1	PC	
17	4.764-157.3	Nozzle holder packaged 047	1	PC	4.767-064.0
17	4.764-158.0	Nozzle holder 05	1	PC	4.767-065.0
17	4.764-159.0	Nozzle holder 055	1	PC	4.767-066.0
17	4.764-161.0	Nozzle holder 08	1	PC	4.767-068.0
17	4.764-169.0	Nozzle holder 09	1	PC	4.767-075.0
17	4.764-173.0	Nozzle holder 0100	1	PC	4.767-106.0
17	7.777-999.0	Stockpiling discontinued	1	PC	4.767-067.0/-069.0

17 Nozzle holder 055 (4.764-159.0)

POS	Article no.	Description	Quantity	Unit
1	5.031-597.0	Rectifier	2	PC
	Item text2: 47641590			
7	6.362-661.0	O-Ring seal 5,0 X 1,0-NBR 80	3	PC
	Item text2: 47641590			
8	6.363-612.0	O-Ring seal 22 x 2 -NBR90	1	PC
	Item text2: 47641590			



70 Electric control box

POS	Article no.	Description	Quantity	Unit	Foot note text
1	6.630-008.0	Micro switch	1	PC	
2	5.066-893.0	Cover	1	PC	
3	7.303-032.0	Screw M4x12 -St-R2R (In6Rd)	6	PC	
4	7.312-067.0	Washer 4-A2 ISO 7089	8	PC	
5	6.273-037.0	Seal string cellular rubber 3	1	m	
6	6.641-366.0	Locknut PG 9	2	PC	
7	6.641-370.0	Locknut PG16-PA DIN 46320	1	PC	
8	7.303-033.0	Screw M4x16-ST-P2R (KOMBI-IN6RD	2	PC	
9	7.312-230.0	Serrated lock washer A4,3-FSt-A3E DIN67	1	PC	
10	5.044-629.0	Holder electric control box	1	PC	
11	6.641-355.0	Cable gland PG9	1	PC	
12	6.641-325.0	Drain plug PG9	1	PC	
13	6.641-356.0	Cable gland PG16	1	PC	
14	4.820-990.0	Cable 7x2,5mm ²	1	PC	
15	6.622-248.0	Control transformer	1	PC	
16	6.631-538.0	Timer module	1	PC	
17	6.347-109.0	Sleeve	3	PC	
18	7.304-043.0	Hexagonal head screw M 4x35-A4-70 ISO 4	3	PC	
19	6.643-964.0	Clamp with fuse	1	PC	
20	6.632-334.0	Power contactor LC1 D32 B7	1	PC	VERSION 1
21	6.644-204.0	Fuse slow 1,25A	1	PC	
22	6.643-623.0	Strip terminal four-pole	1	PC	
23	6.303-014.0	Self-tapping screw M3X 16-ST-A2E	1	PC	
24	6.643-650.0	Strip terminal triple-pole	1	PC	
25	6.368-103.0	Cap 19	1	PC	
26	5.388-512.0	Label	1	PC	
27	7.311-001.0	Hexagon nut M4 -6-A2E ISO 4032	2	PC	
28	7.312-001.0	Washer 4-200HV-A2K ISO 7089	2	PC	
29	7.306-067.0	Screw M 5x8-ST- 8.8-ZNBHL (IN6RD)	2	PC	