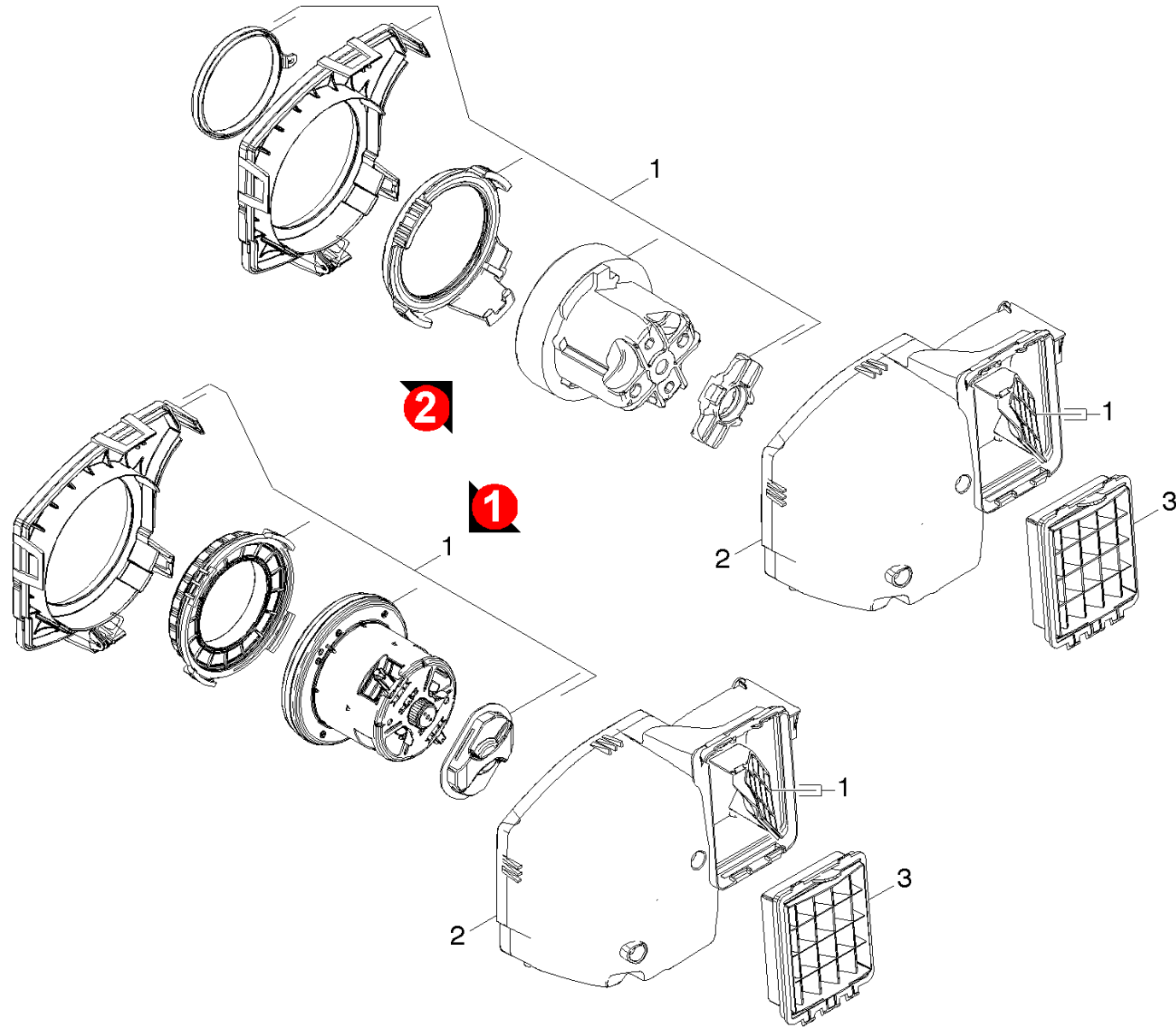


20 Vac motor

Overview technical documents/Home & Garden/Vacuum cleaner/Dry vacuum cleaner/VC 6300 (1.195-541.0)/Spare parts list VC 6300/20 Vac motor



20 Vac motor

Overview technical documents/Home & Garden/Vacuum cleaner/Dry vacuum cleaner/VC 6300 (1.195-541.0)/Spare parts list VC 6300/20 Vac motor

Rez.daļas/nodil.pakļ.daļas	Poz.	Materiāla Nr.	Nosaukums	Daudzums	Pārdoš. vienība	no sēr. Nr..	līdz sēr. Nr.
X-X	1	4.195-017.0	Vac motor only for replacement 1800W	1.000	ST	0000000000	0000000000
Pozīcijas teksts: / 1.195-541.0 / -542.0 / -543.0 / -544.0/ -545.0 / -547.0 / -548.0							
X-X	1	4.195-147.0	Vac motor for replacement 1800 W	1.000	ST		
Pozīcijas teksts: 1.195-541.0 /-542.0 / -543.0 / -544.0/ -545.0							
	2	4.195-148.0	Motor frame for replacement	1.000	ST		
	2	4.195-011.0	Motor housing only for replacement	1.000	ST	0000000000	0000000000
X-X	3	6.414-805.0	HEPA filtrs 12	1.000	ST	0000000000	0000000000