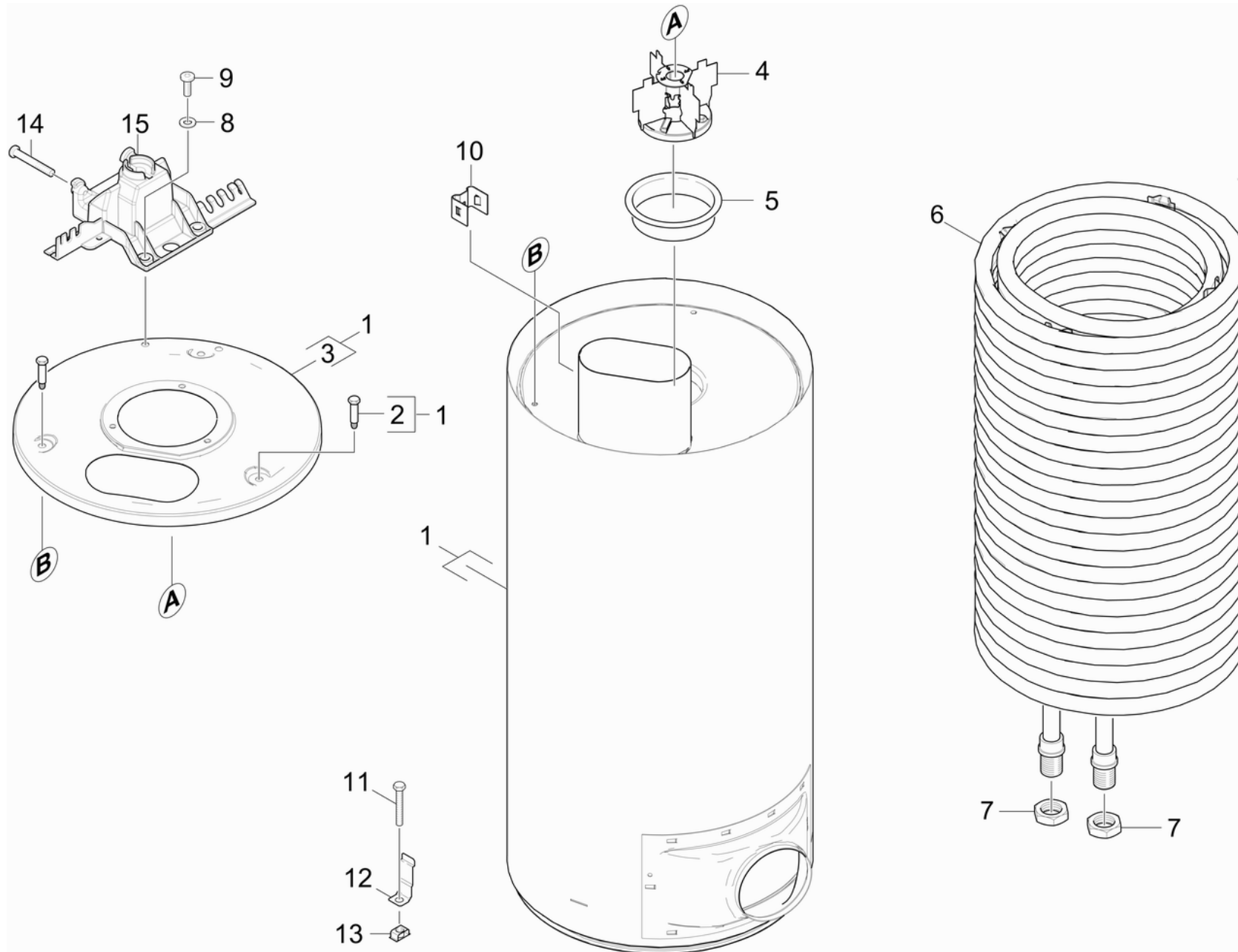


74 Heating coil

Professional \ High pressure cleaner hotwater \ Electric motor \ HDS 8/18-4 MX *EU-I \ Spare parts list HDS 8/18-4MX *EU-I \ Flow heater \ Heating coil



74 Heating coil

Professional \ High pressure cleaner hotwater \ Electric motor \ HDS 8/18-4 MX *EU-I \ Spare parts list HDS 8/18-4MX *EU-I \ Flow heater \ Heating coil

KÄRCHER

POS	Article no.	Description	Quantity	Unit
4	4.663-073.0	Baffle plate complete	1	PC
13	6.310-081.0	Cage nut M 8	3	PC
15	2.882-691.0	Conversion kit holder small Kessel	1	PC
3	5.654-051.0	Cover pressure boiler	1	PC
5	5.664-258.0	Flame tube	1	PC
6	4.680-123.3	Heating coil	1	PC
11	7.304-051.0	Hexagonal head screw M 8x16 -8.8-P2R EN 1665	3	PC
7	7.311-112.0	Hexagon nut M22X1,5 -22H-A2E DIN 936	2	PC
12	5.044-420.0	Holder	3	PC
10	5.034-834.0	Holder probe	1	PC
14	7.303-111.0	Screw 5x50 -10.9-R2R (K-In6Rd)	2	PC
9	6.303-320.0	Screw M 5x 20-St-R2R	2	PC
2	6.303-258.0	Self-tapping screw	3	PC
1	4.652-004.0	Vessel mantel complete	1	PC
8	7.312-278.0	Washer 5-200HV-A2E ISO7093-1	2	PC