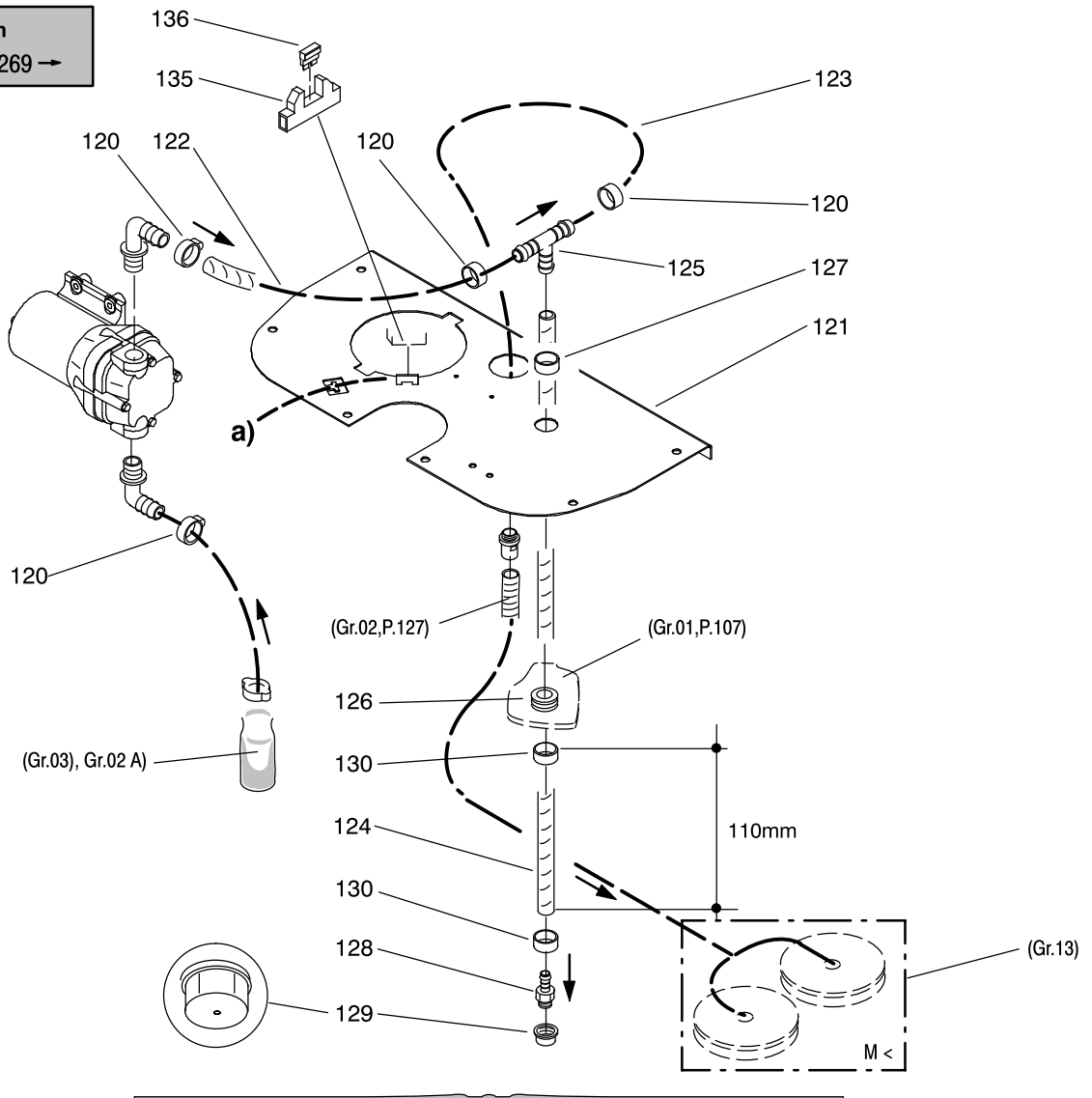
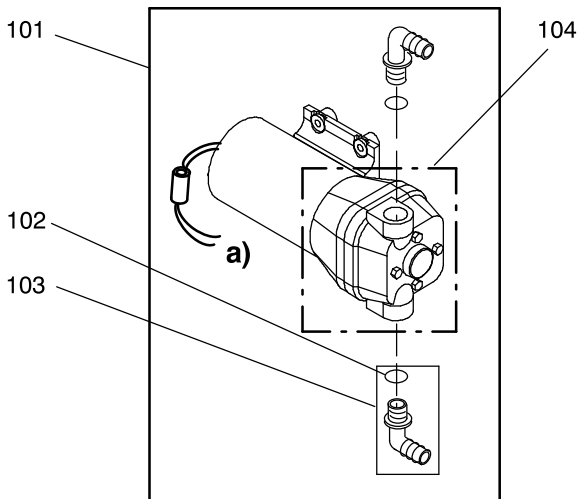


S004401					Pumpe	Pompe	Pump
Pos. No.	Artikelnr. Article No. Item No.	Bestellnr. No. de com Order No.	Model	Stck. Piè. Qty.	Bezeichnung	Designation	Description
101	19604-42	4125772		1.00	Pumpe 24V EPDM	Pompe 24V EPDM	Pump 24V EPDM
102	3002/21	4052410		2.00	O-Ring 13,95x2,62	Joint-O 13,95x2,62	O-ring 13,95x2,62
103	3395/054	4104380		1.00	Nippel	Raccord av. joint-O	Nipple With O-Ring
104	19604-80	4123171		1.00	Pumpenkopf EPDM	Tête de pompe EPDM	Pump head EPDM
104	3395/095	4122548	Option	1.00	Pumpenkopf Viton	Tête de pompe Viton	Pump head Viton
	-			-	-	-	-
120	2178/12	4042280		4.00	Schlauchklemme 12-22	Bride 12-22	Hose clamp 12-22
121	19601-03	4122050		1.00	Saugerplatte	Plaque d'aspiration	Suction plate
122	8820/105	4053660	0,21m	1.00	Schlauch m Draht 12/18 PVC	Tuyau spirale 12/18 PVC	Hose with wire 12/18 PVC
123	8820/105	4053660	0,52m	1.00	Schlauch m Draht 12/18 PVC	Tuyau spirale 12/18 PVC	Hose with wire 12/18 PVC
124	8820/105	4053660	0,26m	1.00	Schlauch m Draht 12/18 PVC	Tuyau spirale 12/18 PVC	Hose with wire 12/18 PVC
125	2631/075	4076130		1.00	T-Schlauchverbinder Ts 12	T de raccordement TS 12	T-Nipple TS 12
126	19603-73	4122430		1.00	Durchführungstülle 17	Douille de passage 17	Grommet 17
127	2175/7	4008270		1.00	Schlauchklemme 15-18	Bride 15-18	Hose clamp 15-18
128	2720/102	4084500		1.00	Einschraubstutzen 12-R1/2"	Raccord 12-R1/2"	Nipple 12-R1/2"
129	19604-23	4122604		1.00	Verschluss	Chapeau de fermeture	Tapped cap
130	2175/8	4052730		2.00	Schlauchklemme 17-20	Bride 17-20	Hose clamp 17-20
134	8820/105	4053660	0,75m	1.00	Schlauch m Draht 12/18 PVC	Tuyau spirale 12/18 PVC	Hose with wire 12/18 PVC
135	4302/008	4076660		1.00	Sicherungshalter	Porte-fusible	Fuse holder
136	4301/141	4122905		1.00	Stecksicherung 3A	Fusible 3A	Fuse clip 3A

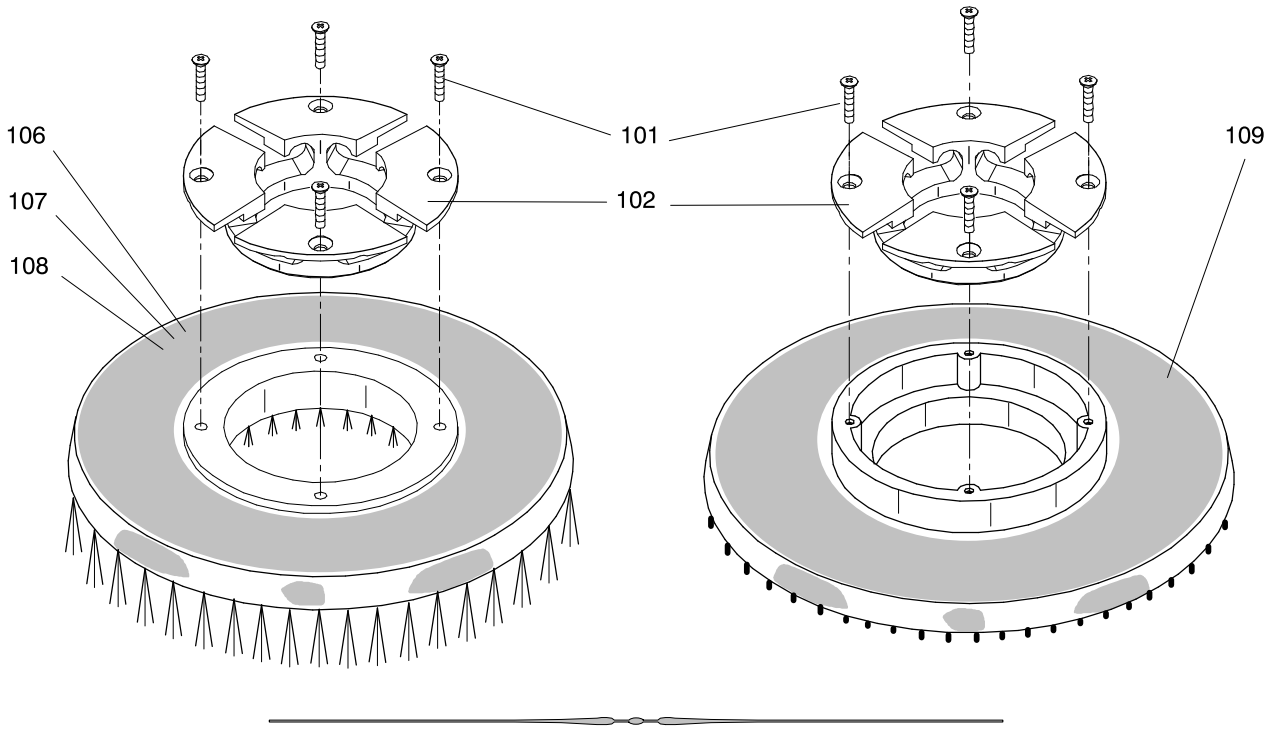
Ausf./execution
Machine No. 5269 →



Ergänzung, supplément
Gruppe, group(e) 02



S004192					Diverse Ersatzteile	Pièces détachées diverses	Various spare parts
Pos. No.	Artikelnr. Article No. Item No.	Bestellnr. No. de com Order No.	Model	Stck. Piè. Qty.	Bezeichnung	Designation	Description
101	1810/406	4093290		6.00	Senk-Spanpl-Schr KS 5x25	Vis à tête fraisée 5X25	Pan Head Tapp.Screw M 5X25
102	82300-1	4039460		1.00	Kupplungsflansch	Accouplement	Coupling
	-				-	-	-
	-				-	-	-
	-				-	-	-
106	8501080	8501080	swingo 2500	1.00	Scheuerbürste 35	Brosse a Recurer 35	Scrubbing Brush 35
106	8501100	8501100	swingo 3500	1.00	Scheuerbuerste 43	Brosse a recurer 43	Scrubbing Brush 43
107	8501060	8501060	swingo 2500	1.00	Scheuerbürste Waschbeton	Brosse a Recurer le Beton Lave	Scrubbing Brush F.Wash.Concr.
107	8501090	8501090	swingo 3500	1.00	Scheuerbuerste Waschbeton	Brosse a recurer le Beton Lave	Scrubbing Brush F.Wash.Concr.
108	8502750	8502750	swingo 2500	1.00	Scheuerbuerste Abrasive 35	Brosse a recurer Abrasive 35	Scrubbing Brush Abrasive 35
108	8502760	8502760	swingo 3500	1.00	Scheuerbuerste Abrasive 43	brosse a recurer Abrasive 43	Scrubbing Brush Abrasive 43
109	8501120	8501120	swingo 2500	1.00	Fuehrungsteller 35	Plateau entraineur 35	Driving Disc 35
109	8501130	8501130	swingo 3500	1.00	Fuehrungsteller 43	Plateau entraineur 43	Driving Disc 43



Schilder, plaques, labels
Sicherungen, fusibles, fuses
Gruppe, group(e) 14

