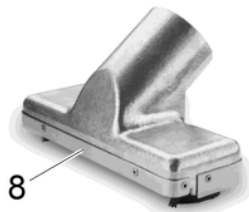
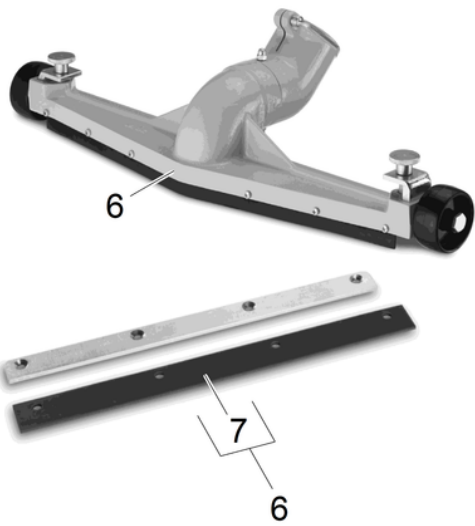
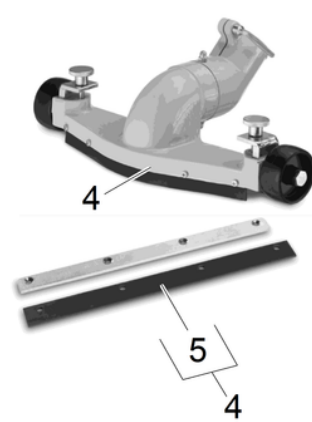
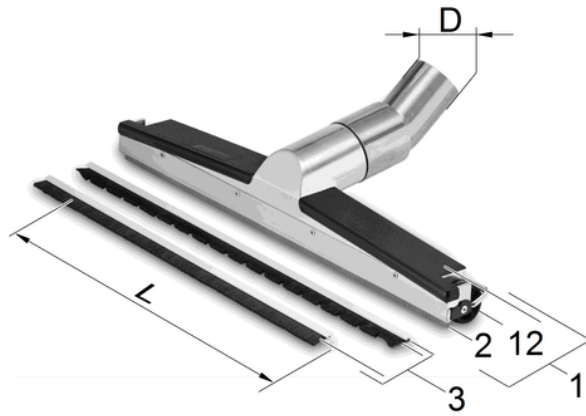


# 20 Floor tool

Kaercher Industrial Vacuuming \ IV \ IV 100/40 \ Spare parts list accessories industry va \ Floor tool



## 20 Floor tool

Kaercher Industrial Vacuuming \ IV \ IV 100/40 \ Spare parts list accessories industry va \ Floor tool



POS	Article no.	Description	Quantity	Unit	Remark
17	6.906-809.0	Brush-corona round for replacement	1	PC	
16	6.906-797.0	Brush nozzle across electrically conduct	1	PC	D=51mm
15	6.906-808.0	Brush strip Oil resistant ?	1	PC	
3	6.903-067.0	Brush strip set	1	PC	L=500mm
1	4.130-413.0	Floor nozzle Alu 500 mm DN61	1	PC	D=61mm /// L=500mm
5	6.906-832.0	Floor nozzle rubber strip 300 mm	1	PC	L=300mm
2	6.903-081.0	Floor nozzle rubber strip 370 mm	1	PC	L=370mm
2	6.906-146.0	Floor nozzle rubber strip 450 mm	1	PC	L=450mm
7	6.906-833.0	Floor nozzle rubber strip 500 mm	2	PC	L=500mm
2	6.906-168.0	Floor nozzle rubber strip 500mm	1	PC	L=500mm
1	4.130-408.0	Floor tool complete DN51 370mm	1	PC	D=51mm /// L=370mm
1	4.130-412.0	Floor tool complete DN51 500mm	1	PC	D=51mm /// L=500mm
6	6.906-793.0	Floor tool electrically conducting DN51	1	PC	D=51mm /// L=500mm
6	6.906-802.0	Floor tool electrically conducting DN61	1	PC	D=61mm /// L=500mm
12	6.903-016.0	Roller	2	PC	
18	6.906-798.0	Round brush electrically conducting DN51	1	PC	
9	6.906-834.0	Rubber strip 300mm	2	PC	
11	6.906-835.0	Steel strip Triangle nozzle 300mm	2	PC	
4	7.777-999.0	Stockpiling discontinued	1	PC	D=61mm /// L=300mm
4	7.777-999.0	Stockpiling discontinued	1	PC	D=51mm /// L=300mm
8	6.906-773.0	Suction nozzle plastics DN51	1	PC	D=51mm
8	4.130-415.0	Surface nozzle complete DN61	1	PC	D=61mm
10	6.906-796.0	Triangle nozzle electrically conducting	1	PC	D=51mm
10	6.906-805.0	Triangle nozzle electrically conducting	1	PC	D=61mm