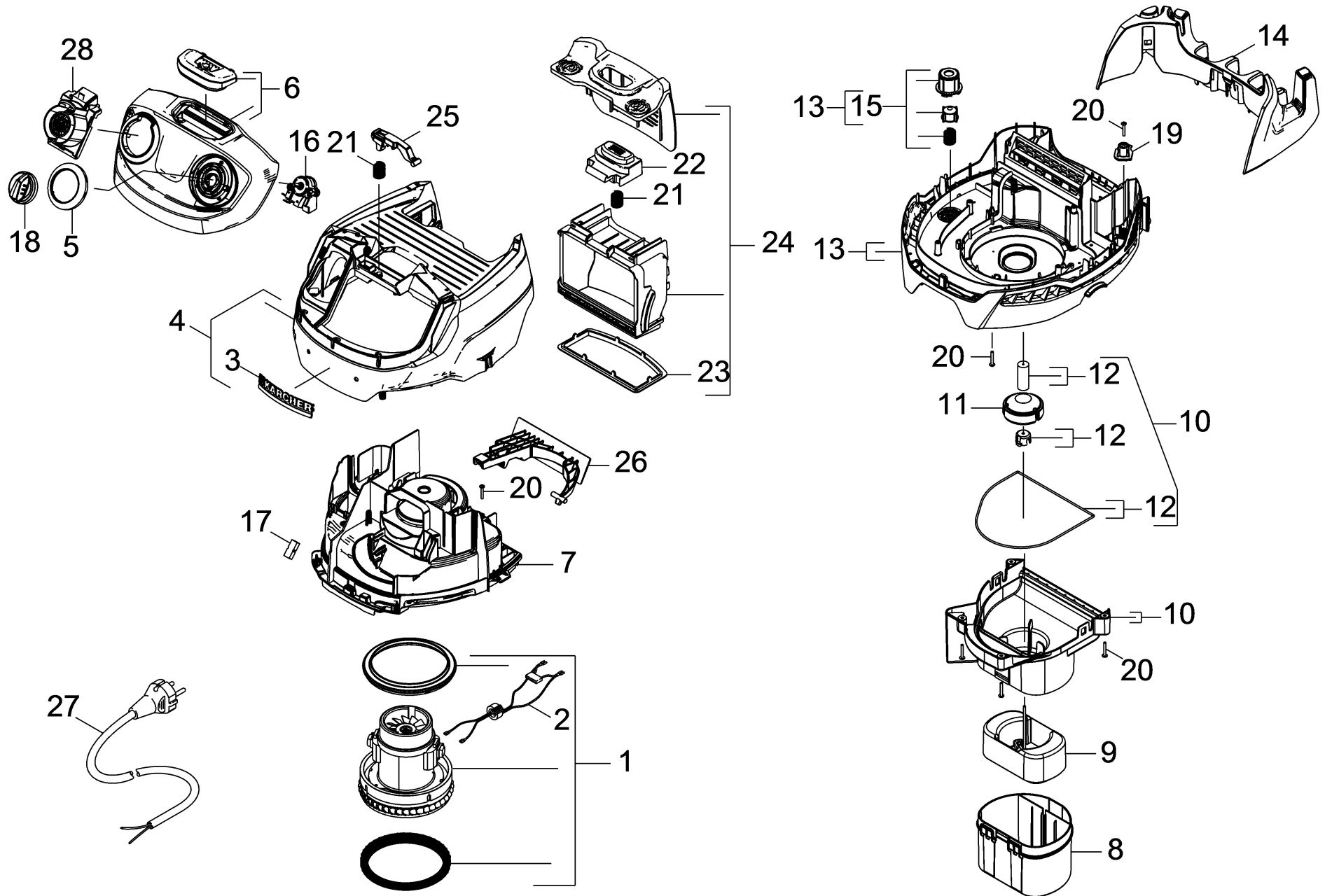


# 10 Appliance individual parts

Home and Garden \ Vacuum cleaner \ Wet-/Dry vacuum cleanerwet \ WD 5 \*EU-I \ Spare parts list MV 5\*EU I \ Appliance individual parts



## 10 Appliance individual parts

Home and Garden \ Vacuum cleaner \ Wet-/Dry vacuum cleanerwet \ WD 5 \*EU-I \ Spare parts list MV 5\*EU I \ Appliance individual parts



POS	Article no.	Description	Quantity	Unit	Remark
1	4.490-028.0	Vac motor complete for replacement KCL 1	1.000	ST	
2	2.884-343.0	Set cable ferrite ring	1.000	ST	
3	9.037-643.0	KAERCHER label	1.000	ST	
4	9.002-097.0	Cover neutrally complete	1.000	ST	
5	9.038-359.0	On-Off ring MV5	1.000	ST	
6	9.002-099.0	Front panel complete	1.000	ST	
7	9.038-271.0	Air circulation	1.000	ST	
8	9.038-264.0	Float cage	1.000	ST	
9	9.002-032.0	Float complete WD 4	1.000	ST	
10	9.002-033.0	Cover float complete WD 4	1.000	ST	
11	9.038-070.0	Float valve	1.000	ST	
12	9.002-034.0	Seal float complete WD 4	1.000	ST	
13	9.002-089.0	Motor bracket complete	1.000	ST	
14	9.038-287.0	Retainer accessories	1.000	ST	
15	9.002-036.0	Safety valve complete WD 4	1.000	ST	
16	9.002-098.0	Electrical box small complete	1.000	ST	
17	9.085-094.0	Connection	1.000	ST	
18	9.038-362.0	Rotary switch WD	1.000	ST	
19	9.036-997.0	Strain relief	1.000	ST	
20	6.303-150.0	Screw 4,2x 22	14.000	ST	
21	9.047-111.0	Spring WD	2.000	ST	
22	9.038-283.0	Fbox button WD5	1.000	ST	
23	9.079-080.0	Fbox Sealing	1.000	ST	
24	9.002-091.0	Filter box complete	1.000	ST	
25	9.038-278.0	Lever spring	1.000	ST	
26	9.038-279.0	Flap filter	1.000	ST	
27	9.084-154.0	Cable H05V-F 2X0,75 A2204 *EU	1.000	ST	*EU
27	9.084-301.0	Cable 5,5m 2x0,75 *CH	1.000	ST	*CH
28	9.013-059.0	Connection complete	1.000	ST	