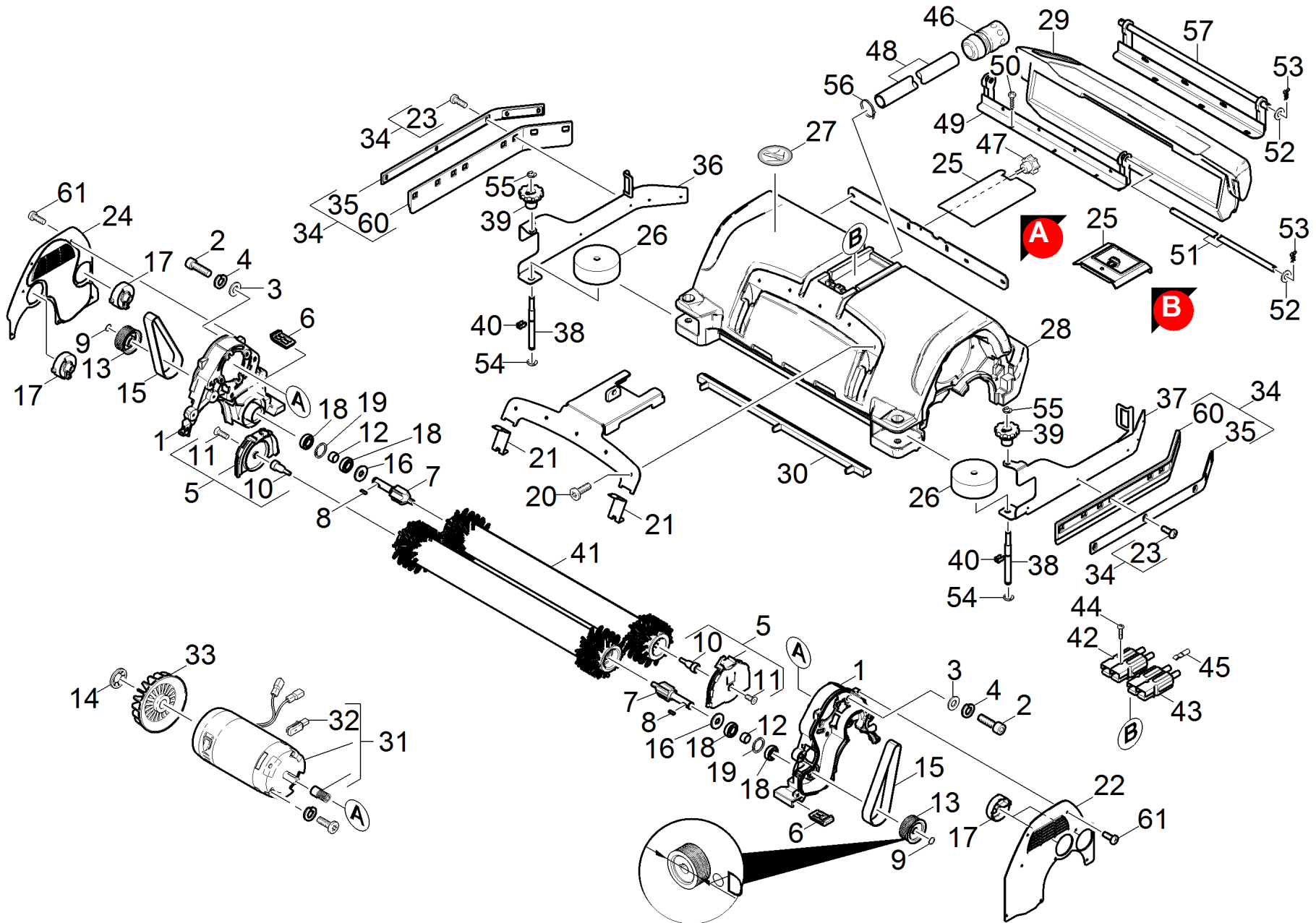


11 Power brush BR

Professional \ Floor cleaner \ Walk behind \ B 60 W Bp DOSE *EU \ Documentation B 60 W \ Spare parts list BR/BD 55/65/75 \ Power brush BR \ Power brush BR



11 Power brush BR

Professional \ Floor cleaner \ Walk behind \ B 60 W Bp DOSE *EU \ Documentation B 60 W \ Spare parts list BR/BD 55/65/75 \ Power brush BR \ Power brush BR



POS	Article no.	Description	Quantity	Unit	Remark	Foot note text
1	5.044-866.0	Retainer plate transmission	2.000	ST	5.625-494.0	VERSION 2
1	2.882-726.0	Conversion kit retainer plate transmissi	2.000	ST	5.625-483.0	VERSION 1
2	7.306-031.0	Screw M 6x16-A2-70 DIN 7984	10.000	ST		
3	7.312-026.0	Washer 6 -A2 ISO 7090	10.000	ST		
4	7.313-003.0	Spring washer B 6-FSt-A3E DIN 127	10.000	ST		
5	2.763-032.0	Set holder-up replacement	2.000	ST		
6	5.056-010.0	Rocker BR-VS	2.000	ST		
7	5.100-611.3	Driveshaft BR	2.000	ST		
8	7.318-002.0	Parallel key 5x5x16 -C45K DIN 6885-1	2.000	ST		
9	7.343-015.0	Locking ring 15x1-FST-RF DIN 471	2.000	ST		
10	5.116-340.0	Bolt holder-up	2.000	ST		
11	7.305-637.0	Countersunk screw M8x16-A2-70 ISO 10642	2.000	ST		
12	5.116-354.0	Bush transmission BR	2.000	ST		VERSION 1
12	5.116-413.0	Sleeve	2.000	ST		VERSION 2
13	5.625-494.0	Belt pulley 54mm	2.000	ST	D = 54mm	VERSION 2
13	5.625-483.0	Belt pulley 57mm	2.000	ST	D = 57mm	VERSION 1
14	6.343-149.0	Quick-fastener	2.000	ST		
15	6.348-456.0	Ribbed v-belt	2.000	ST	425mm	VERSION 2
15	6.348-442.0	Ribbed v-belt	2.000	ST	432mm	VERSION 1
16	6.363-158.0	Joint ring Nilosring	2.000	ST		
17	7.777-999.0	Stockpiling discontinued	4.000	ST		YELLOW
17	5.033-665.0	Locking part	4.000	ST		GREY
18	7.401-128.0	Ball bearing 6202-2RS -Wälzl.St DIN 625	4.000	ST		VERSION 2
18	7.401-115.0	Ball bearing 6002-2RS -WÄELZLAGST DIN 62	4.000	ST		VERSION 1
19	7.343-231.0	Locking ring 32x1,2 -St-ph DIN 472	2.000	ST		VERSION 1
19	7.343-017.0	Locking ring 35x1,5-FST-PHR DIN 472	2.000	ST		VERSION 2
20	7.303-047.0	Screw M6x16 -St-R3R (In6Rd)	5.000	ST		
21	7.777-999.0	Stockpiling discontinued	2.000	ST		YELLOW
21	5.033-664.0	Locking part tension rod	2.000	ST		GREY
22	5.033-241.0	Covering cap left	1.000	ST		
23	7.303-038.0	Screw M5x12 -St-P2R (In6Rd)	10.000	ST		
24	5.033-242.0	Covering cap right	1.000	ST		

11 Power brush BR

Professional \ Floor cleaner \ Walk behind \ B 60 W Bp DOSE *EU \ Documentation B 60 W \ Spare parts list BR/BD 55/65/75 \ Power brush BR \ Power brush BR



POS	Article no.	Description	Quantity	Unit	Remark	Foot note text
25	5.033-403.0	Cover BR	1.000	ST	VERSION B	
25	5.009-380.0	Cover plate	1.000	ST	VERSION A	
26	5.515-267.0	Deflector roll	2.000	ST		
27	5.383-097.0	Label	1.000	ST		
28	5.061-983.0	Brush housing R 90	1.000	ST		
28	5.061-580.0	Brush housing BR 65	1.000	ST		
28	5.061-576.0	Brush housing BR 55	1.000	ST		
28	5.061-577.0	Brush housing BR 75	1.000	ST		
29	5.075-042.0	Tank refuse BR 90	1.000	ST		
29	5.075-041.0	Tank refuse BR 75	1.000	ST		
29	5.075-040.0	Tank refuse BR 65	1.000	ST		
29	5.075-039.0	Tank refuse BR 55	1.000	ST		
30	5.190-002.0	Strip water distributor R 90	1.000	ST	R 55	YELLOW
30	5.190-002.0	Strip water distributor R 90	1.000	ST	R 65	YELLOW
30	5.190-002.0	Strip water distributor R 90	1.000	ST	R 90	YELLOW
30	5.190-002.0	Strip water distributor R 90	1.000	ST	R 75	YELLOW
31	4.623-927.0	Motor complete only for replacement	2.000	ST	24V//750W - B 140 R	VERSION 2
31	4.623-920.0	Motor complete nur fuer Ersatz	2.000	ST	24V//600W/ATAS Motor	VERSION 1
31	4.623-017.0	Motor complete only for replacement Heng	2.000	ST	24V//600W/ATAS Motor	VERSION 2
32	6.610-239.0	Carbon brush set ATAS	1.000	ST	(ATAS)	
32	6.610-026.0	Carbon brush set	1.000	ST	/Hengye Motor	
32	6.610-216.0	Carbon brush set	1.000	ZSA	(AMER)	
33	6.613-025.0	Blower wheel	2.000	ST		
33	6.610-027.0	Blower wheel only for replacement Hengye	2.000	ST	/Hengye Motor	
34	4.071-228.0	Set splash guard onesided	2.000	ST		STANDARD
34	4.071-003.0	Set splash guard reinforced	2.000	ST		reinforced
35	5.044-867.0	Retainer strip splash guard	2.000	ST		STANDARD
35	4.007-009.0	Retainer strip rubber lip stainless stee	2.000	ST		reinforced
36	5.009-401.0	Retaining plate right scraper lip	1.000	ST		
37	5.009-402.0	Retaining plate left scraper lip	1.000	ST		
38	5.116-339.0	Threaded bolt	2.000	ST		
39	5.033-666.0	Adjustment wheel	2.000	ST		

11 Power brush BR

Professional \ Floor cleaner \ Walk behind \ B 60 W Bp DOSE *EU \ Documentation B 60 W \ Spare parts list BR/BD 55/65/75 \ Power brush BR \ Power brush BR



POS	Article no.	Description	Quantity	Unit	Remark	Foot note text
40	6.330-407.0	Spring clip	2.000	ST		
41	6.906-987.0	Roller brush green - BR 75	2.000	ST		
41	6.906-989.0	Roller brush white - BR 90	2.000	ST		
41	6.906-988.0	Roller brush black - BR 75	2.000	ST		
41	6.906-991.0	Roller brush green - BR 90	2.000	ST		
41	6.907-377.0	Roller brush red BR 90	2.000	ST		
41	6.907-415.0	Roller brush red BR 75	2.000	ST		
41	6.907-414.0	Roller brush red BR65	2.000	ST		
41	6.907-413.0	Roller brush red BR 55	2.000	ST		
41	6.906-992.0	Roller brush black - BR 90	2.000	ST		
41	6.906-990.0	Roller brush orange - BR 90	2.000	ST		
41	6.906-986.0	Roller brush orange - BR 75	2.000	ST		
41	6.906-979.0	Roller brush green - BR 55	2.000	ST		
41	6.906-978.0	Roller brush orange - BR 55	2.000	ST		
41	6.906-977.0	Roller brush white - BR 55	2.000	ST		
41	6.906-981.0	Roller brush white - BR 65	2.000	ST		
41	6.906-980.0	Roller brush black - BR 55	2.000	ST		
41	6.906-982.0	Roller brush orange - BR 65	2.000	ST		
41	6.906-984.0	Roller brush black - BR 65	2.000	ST		
41	6.906-985.0	Roller brush white - BR 75	2.000	ST		
41	6.906-983.0	Roller brush green - BR 65	2.000	ST		
42	6.643-047.0	Plug red complete 75A 12mm ²	2.000	ST		
43	6.643-048.0	Plug blue complete 75A 12mm ²	2.000	ST		
44	7.303-107.0	Screw 5x16 -10.9-P2R (K-In6Rd)	3.000	ST		
45	6.646-979.0	Switch contact 6 mm ²	4.000	ST		
46	2.645-191.0	Hose coupling entry Universal	1.000	ST		
47	6.321-004.0	Star grip M5x10	1.000	ST		
48	6.390-892.0	Spiral hose NW12	1.000	M		TO ORDER AS CUT GOODS
49	4.481-258.0	Holder pivot point head R 55 / R 65	1.000	ST	L = 406mm	
49	4.481-239.0	Holder brush-head	1.000	ST	L = 446mm	
50	7.303-112.0	Screw 6x20 -10.9-R2R (In6Rd)	6.000	ST		
51	5.107-290.0	Bar brush-head	1.000	ST		
52	7.312-008.0	Washer 12-200HV-A3E ISO 7090	2.000	ST		

11 Power brush BR

Professional \ Floor cleaner \ Walk behind \ B 60 W Bp DOSE *EU \ Documentation B 60 W \ Spare parts list BR/BD 55/65/75 \ Power brush BR \ Power brush BR

KÄRCHER

POS	Article no.	Description	Quantity	Unit	Remark	Foot note text
53	6.313-022.0	Spring clip	2.000	ST		
54	7.343-047.0	Lock washer 10-FST-A2E DIN 6799	2.000	ST		
55	7.343-302.0	Lock washer 8 -St-ph DIN 6799	2.000	ST		
56	6.388-545.0	Hose clip	1.000	ST		
57	4.481-261.0	Holder pivot point complete BR	1.000	ST	L = 406mm	
60	5.394-911.0	Splash guard reinforced	2.000	ST		reinforced
61	6.303-029.0	Screw EJOT ALtracs Plus 50x10 A2	17.000	ST		