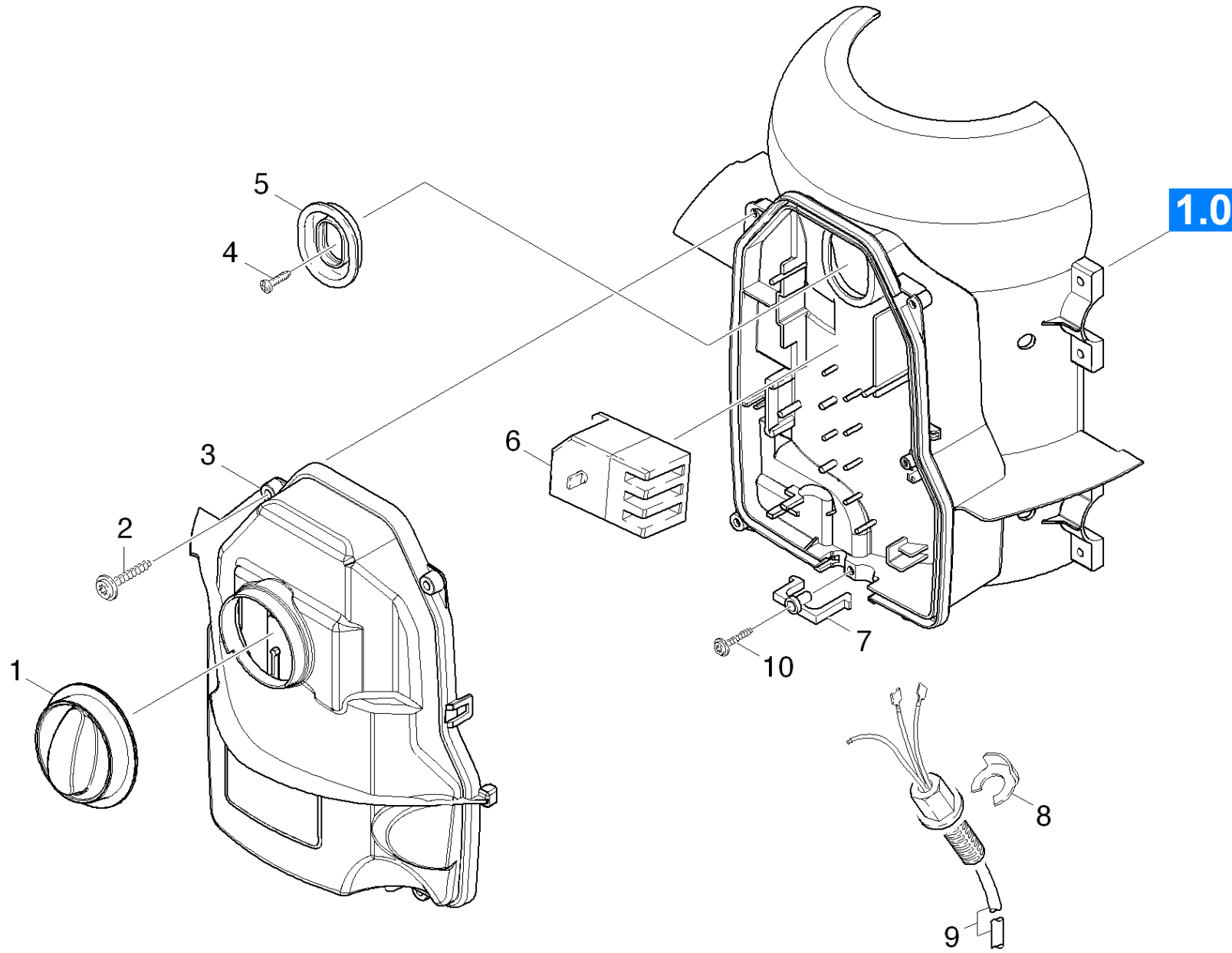


50 Electric box

Overview technical documents/Professional/High pressure cleaner cold water/Electric motor/HD 7/18 -4M Classic *EU-I (1.524-207.0)/Spare parts list HD 7/18-4M/50 Electric box



50 Electric box

Overview technical documents/Professional/High pressure cleaner cold water/Electric motor/HD 7/18 -4M Classic *EU-I (1.524-207.0)/Spare parts list HD 7/18-4M/50 Electric box

Rez.daļas/nodil.pakļ.daļas	Poz.	Materiāla Nr.	Nosaukums	Daudzums	Pārdoš. vienība	no sēr. Nr..	līdz sēr. Nr.
X-X	1	5.321-692.0	Rokturis	1.000	ST	0000000000	0000000000
X-X	2	7.303-108.0	Skrūve 5x20 -10.9-R2R (In6Rd)	4.000	ST	0000000000	0000000000
X	3	5.064-176.0	Vāks	1.000	ST	0000000000	0000000000
	4	7.303-031.0	screw	1.000	ST	0000000000	0000000000
	5	5.365-181.0	Gasket	1.000	ST	0000000000	0000000000
X-X	6	6.631-190.0	Elektromotora aizsardzības slēdzis	1.000	ST	0000000000	0000000000
	7	5.263-058.0	Tensioning part	1.000	ST	0000000000	0000000000
X-X	8	6.343-186.0	Bloķētājgredzens	1.000	ST	0000000000	0000000000
	9	6.649-444.0	Cable with plug	1.000	ST	0000000000	0000000000
Pozīcijas teksts: 1.524-200.0 / -201.0 / -207.0 / -208.0 /-211.0							
	9	6.649-443.0	Cable without plug	1.000	ST	0000000000	0000000000
Pozīcijas teksts: 1.524-210.0							
	10	6.303-200.0	Skrūve 5x25-IN6RD	1.000	ST		