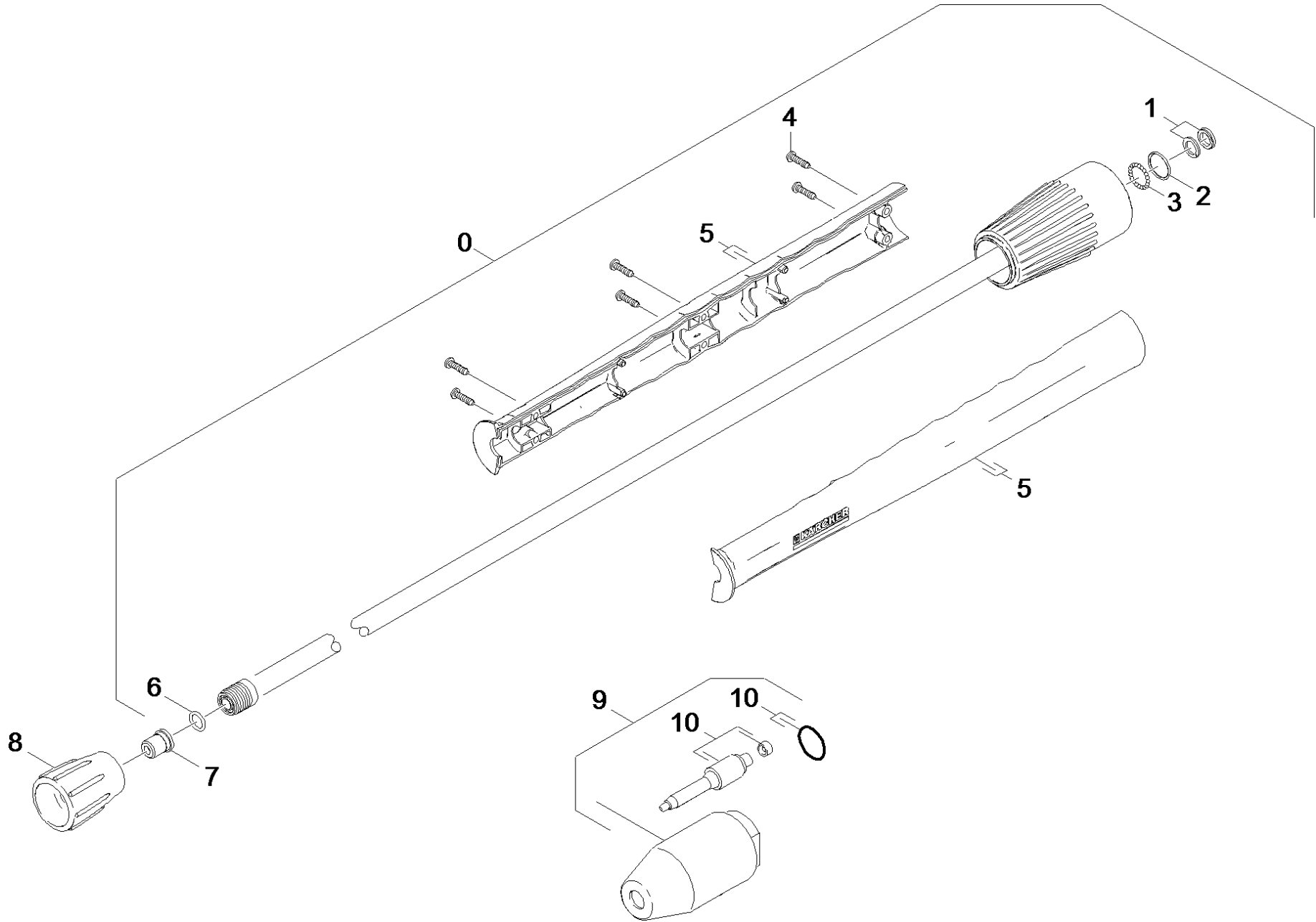


# 44 Jet pipe

Professional \ Industrial cleaning systems \ Maximum pressure cleaners \ HD 13/35-4 \ Spare parts list HD 9/50-4\_HD 13/35-4 \ Accessories \ Jet pipe



## 44 Jet pipe

Professional \ Industrial cleaning systems \ Maximum pressure cleaners \ HD 13/35-4 \ Spare parts list HD 9/50-4\_HD 13/35-4 \ Accessories \ Jet pipe



POS	Article no.	Description	Quantity	Unit	Remark
1	4.363-692.0	Grooved ring kpl. -nur fuer Ersatz-	1.000	ST	
5	5.321-937.0	Handhold few jet pipe 60 MPa	1.000	ST	
0	4.760-679.0	Jet pipe complete 700 mm 65 MPa	1.000	ST	
10	6.025-436.0	Nozzles set Power Rotary Jet F7 35 MPa	1.000	ST	
	<b>Item text1:</b> 6415-914.0				
10	6.025-437.0	Nozzles set Power Rotary Jet F8 50 MPa	1.000	ST	
	<b>Item text1:</b> 6415-915.0				
2	6.362-524.0	O-Ring seal 17,0 X 1,5	1.000	ST	
7	5.765-160.0	Power nozzle hardened 0028 Tol. 1%	1.000	ST	0 GRAD
	<b>Item text1:</b> 1.367-153.0				
7	5.765-159.0	Power nozzle hardened 0030 Tol. 1%	1.000	ST	0 GRAD
	<b>Item text1:</b> 1.367-151.0				
7	5.765-161.0	Power nozzle hardened 0046 Tol. 1%	1.000	ST	0 GRAD
	<b>Item text1:</b> 1.367-152.0				
7	5.765-162.0	Power nozzle hardened 0049 Tol. 1%	1.000	ST	0 GRAD
	<b>Item text1:</b> 1.367-150.0				
7	5.765-163.0	Power nozzle hardened 15028 Tol. 1%	1.000	ST	15 GRAD
	<b>Item text1:</b> 1.367-153.0				
7	5.765-164.0	Power nozzle hardened 15030 Tol. 1%	1.000	ST	15 GRAD
	<b>Item text1:</b> 1.367-151.0				
7	5.765-165.0	Power nozzle hardened 15046 Tol. 1%	1.000	ST	15 GRAD
	<b>Item text1:</b> 1.367-152.0				
7	5.765-166.0	Power nozzle hardened 15049 Tol. 1%	1.000	ST	15 GRAD
	<b>Item text1:</b> 1.367-150.0				
9	6.415-914.0	Power Rotary Jet 35 MPa	1.000	ST	
	<b>Item text1:</b> 1.367-150.0 /-152.0				
9	6.415-915.0	Power Rotary Jet 50 MPa	1.000	ST	
	<b>Item text1:</b> 1.367-151.0 /-153.0				
4	7.303-129.0	Screw 4x16 -10.9-R2R (K-In6Rd)	6.000	ST	
8	5.401-321.0	Screw connector part	1.000	ST	
6	2.880-990.0	Spare part set O-Ring 5x -Kaercher	1.000	ST	
3	7.401-915.0	Sphere 2,5 G20 -1.4034 DIN 5401	1.000	ST	