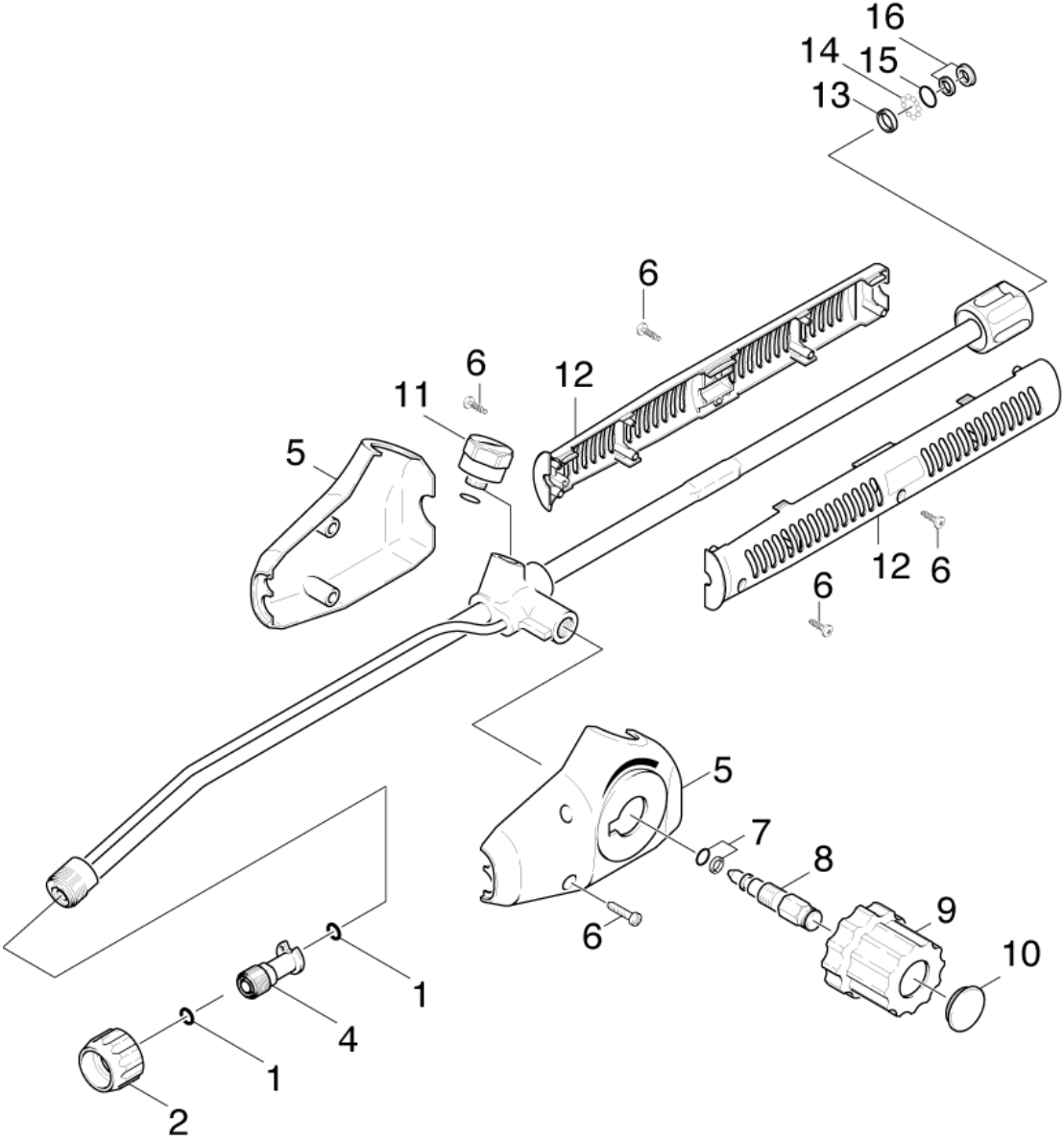


10 Double jet pipe

Overview technical documents/Professional/Industrial cleaning systems/High pressure cleaner stationary/HDC 20/16 (1.509-501.0)/Documentation HDC 20/16/Spare parts list HDC Classic Silber/90 Accessories/88 Jet pipe/0 Double jet pipe/0 Spare parts list double jet pipe/10 Double jet pipe



10 Double jet pipe

Overview technical documents/Professional/Industrial cleaning systems/High pressure cleaner stationary/HDC 20/16 (1.509-501.0)/Documentation HDC 20/16/Spare parts list HDC Classic Silber/90 Accessories/88 Jet pipe/0 Double jet pipe/0 Spare parts list double jet pipe/10 Double jet pipe

Rez.daļas/nodil.pakļ.daļas	Poz.	Materiāla Nr.	Nosaukums	Daudzums	Pārdoš. vienība	no sēr. Nr..	līdz sēr. Nr.
	1	2.880-990.0	spare part set o ring from 2.880-296.0	1.000	ST	0000000000	0000000000
	2	5.401-153.0	Screw connector part	1.000	ST	0000000000	0000000000
	4	4.762-075.0	Adapter	1.000	ST	0000000000	0000000000
	5	5.394-273.0	Protection part pair	1.000	ST	0000000000	0000000000
	6	6.303-199.0	Oval head screw 4,2x 16	4.000	ST	0000000000	0000000000
X-X	7	6.363-037.0	Gredzenblīve, pilns komplekts 1ST.-R.	1.000	ST	0000000000	0000000000
	8	5.291-047.0	Spindle	1.000	ST	0000000000	0000000000
	9	5.321-321.0	handhold	1.000	ST	0000000000	0000000000
	10	5.132-010.0	plug	1.000	ST	0000000000	0000000000
	11	6.421-143.0	Pressure gauge 0-250BAR	1.000	ST	0000000000	0000000000
	12	5.321-150.0	HANDLE (PART NO=ONE HALF)	2.000	ST	0000000000	0000000000
	13	6.362-529.0	Joint ring 12x1,5	1.000	ST	0000000000	0000000000
	14	7.401-921.0	Sphere 4 G20 -1.4034 DIN 5401	12.000	ST	0000000000	0000000000
	15	6.362-524.0	Gredzenblīve 17,0 X 1,5	1.000	ST	0000000000	0000000000
X-X	16	4.363-692.0	Grooved ring	1.000	ST	0000000000	0000000000