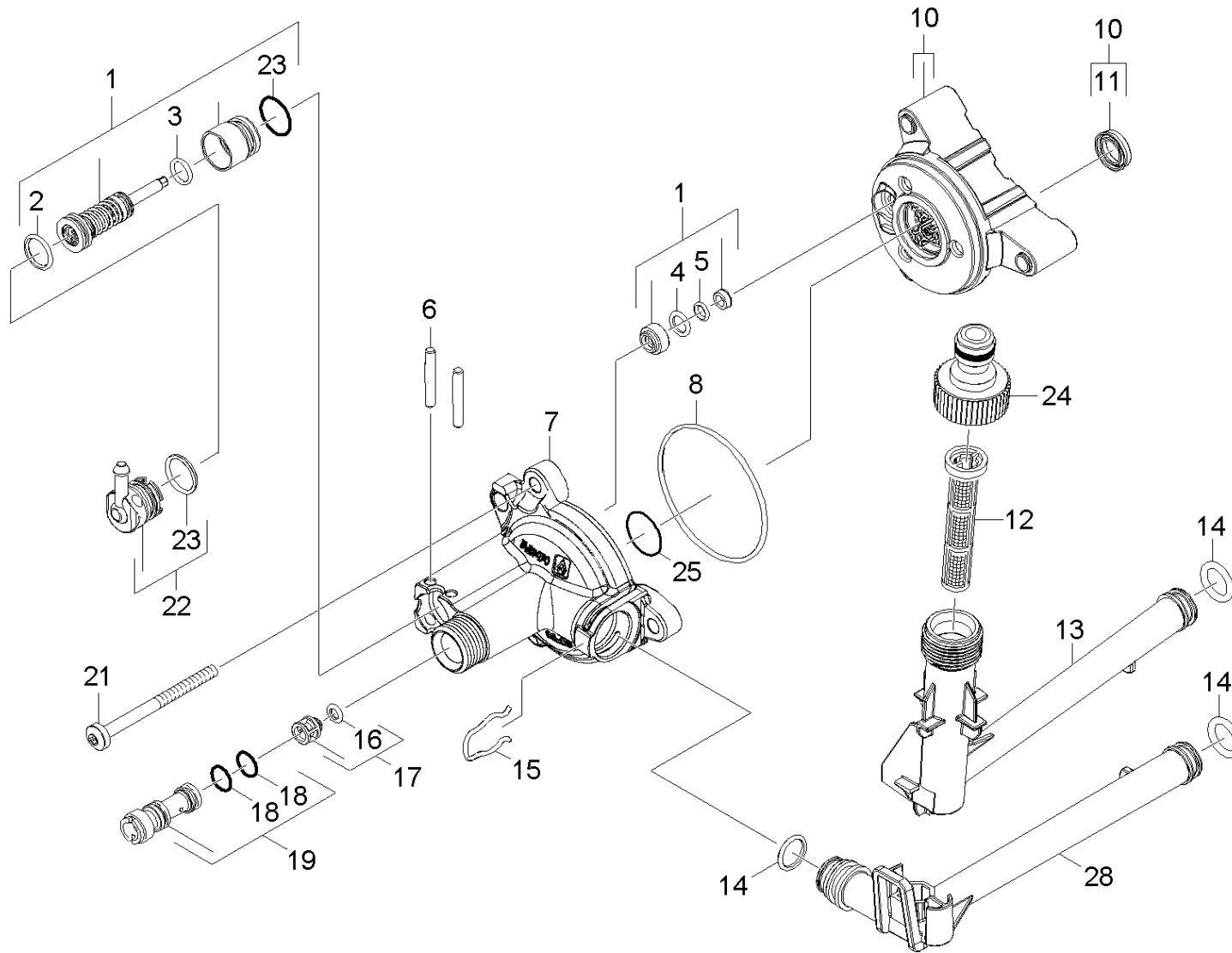


21 Cylinder head

Overview technical documents/Home & Garden/High pressure cleaner cold water/Electric motor/K 7/K 7.750 *EU (1.168-600.0)/Spare parts list K7.XXX WCM/20 Pump set/21 Cylinder head



21 Cylinder head

Overview technical documents/Home & Garden/High pressure cleaner cold water/Electric motor/K 7/K 7.750 *EU (1.168-600.0)/Spare parts list K7.XXX WCM/20 Pump set/21 Cylinder head

Rez.daļas/nodil.pakļ.daļas	Poz.	Materiāla Nr.	Nosaukums	Daudzums	Pārdoš. vienība
X-X	1	2.885-186.0	spare part	1.000	ST
X-X	2	6.362-381.0	Gredzenblīve 13x2 - NBR 70	1.000	ST
	3	6.362-958.0	Gredzenblīve 9 x 2-NBR 90	1.000	ST
	4	6.362-101.0	Gredzenblīve 8 X 2	1.000	ST
X-X	5	6.362-486.0	Gredzenblīve 4,7 X 1,9 -NBR 70	1.000	ST
X-X	6	5.314-150.0	Tapa	2.000	ST
X-X	7	5.062-149.0	Korpuss	1.000	ST
X-X	8	6.362-204.0	Gredzenblīve 60,0 X 2,0-NBR 70	1.000	ST
X-X	10	4.550-942.0	Cylinder head	1.000	ST
X-X	11	6.363-435.0	Gredzens ar gropi 12x17x4,25/2,5	3.000	ST
X-X	12	5.731-620.0	Smalkais filtrs	1.000	ST
X-X	13	5.443-644.0	Ieplūdes caurule	1.000	ST
	14	6.363-038.0	Gredzenblīve 13X3 NBR 70	3.000	ST
	15	5.048-915.0	Spaile	1.000	ST
X-X	16	6.363-613.0	Gredzenblīve 4 x 2 -NBR90	1.000	ST
X-X	17	4.584-022.0	Valve pin complete	1.000	ST
X-X	18	6.362-384.0	Gredzenblīve 9x1,5 - NBR 70	2.000	ST
X	19	4.769-034.0	Nozzle insert only for replacement	1.000	ST
Pozīcijas teksts: 1.168-600.0 /-601.0 /-602.0 /-604.0/-607.0 /-608.0 /-609.0 /-610.0					
X	19	4.769-035.0	Nozzle insert	1.000	ST
Pozīcijas teksts: 1.168-603.0 /-605.0					
X	21	7.306-268.0	Screw M6x70 -8.8-R3R (In6Rd)	3.000	ST
X-X	22	4.580-702.0	Plug complete	1.000	ST
	23	6.362-427.0	Gredzenblīve 15,0x2,0	1.000	ST
X-X	24	6.465-031.0	connection	1.000	ST

21 Cylinder head

Overview technical documents/Home & Garden/High pressure cleaner cold water/Electric motor/K 7/K 7.750 *EU (1.168-600.0)/Spare parts list K7.XXX WCM/20 Pump set/21 Cylinder head

Rez.daļas/nodil.pakļ.daļas	Poz.	Materiāla Nr.	Nosaukums	Daudzums	Pārdoš. vienība
X-X	25	6.362-562.0	Gredzenblīve 21,95X 1,78-NBR 90	1.000	ST
X-X	28	5.443-654.0	Recirkulācijas caurule WCM K7 D117	1.000	ST