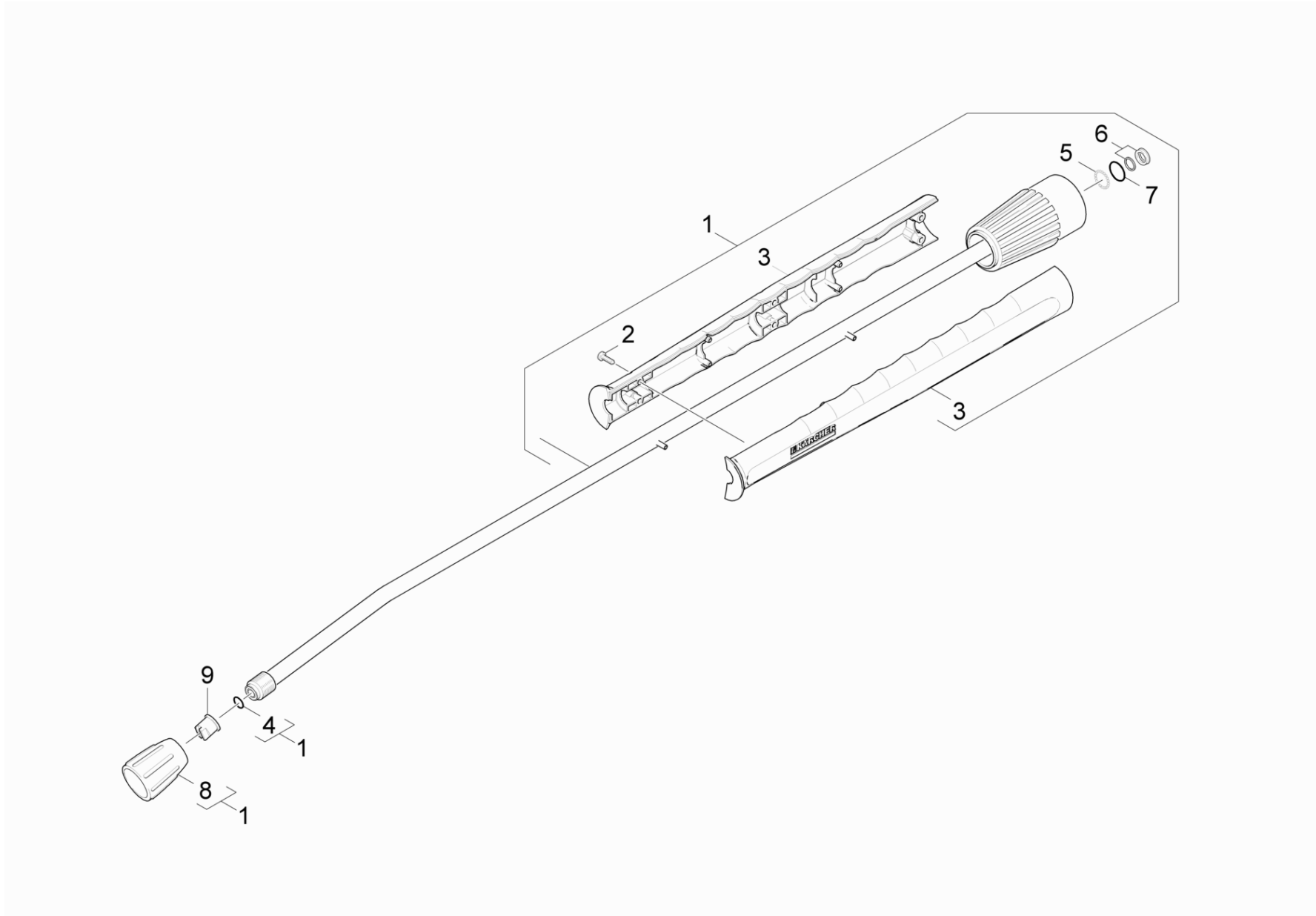


43 Jet pipe

Overview technical documents/Professional/High pressure cleaner cold water/Electric motor/HD 10/25 -45 (1.286-105.0)/Spare parts list HD 10/25 S/40 Accessories/43 Jet pipe



43 Jet pipe

Overview technical documents/Professional/High pressure cleaner cold water/Electric motor/HD 10/25 -45 (1.286-105.0)/Spare parts list HD 10/25 S/40 Accessories/43 Jet pipe

Rez.daļas/nodil.pakļ.daļas	Poz.	Materiāla Nr.	Nosaukums	Daudzums	Pārdoš. vienība
X-X	1	4.760-664.0	Jet pipe packaged from 4.760-364.0	1.000	ST
Pozīcijas teksts: 1.286-117.0					
	2	7.303-129.0	Skrūve 4x16 -10.9-R2R (K-In6Rd)	6.000	ST
	3	5.321-855.0	Stobrs ar metināto skrūvi	1.000	ST
	4	2.880-154.0	O-Ring kit	1.000	ST
X-X	5	7.401-915.0	Sfēra 2,5 G20 -1.4034 DIN 5401	1.000	ST
X-X	6	4.363-692.0	Grooved ring	1.000	ST
	7	6.362-524.0	Gredzenblīve 17,0 X 1,5	1.000	ST
X-X	8	5.401-210.0	Skrūves savienotāja daļa	1.000	ST
X-X	9	2.883-402.0	Power nozzle 25060	1.000	ST
Pozīcijas teksts: 1.286-117.0					