

## **Spare parts list**

(1.272-900.0) HDS 5/12 C \*EU

## Table of contents

---

HDS 5/12 C *EU (1.272-900.0)	5
HDS 5/12C*EU TV 01.01.2018 (2.002-000.0)	6
10 Housing	7
21 Housing top part	8
22 Housing bottom part	10
1 Cover fuel complete (4.064-021.0)	12
3 Cover complete only for replacement (4.064-029.0)	14
20 Pump set	16
21 Cylinder head	17
7 Spare part set chemistry (2.883-862.0)	20
10 Drain plug only for replacement (4.132-007.0)	22
11 Valve (3 Stück) (2.884-916.0)	24
24 Spare part set control piston (2.884-165.0)	26
35 Valve pin complete (4.584-022.0)	27
37 Nozzle insert (4.769-032.0)	29
100 Pump set (2.884-035.0)	31
1 Valve (3 Stück) (2.884-916.0)	32
22 Piston	34
23 Switch	36
30 Motor	38
11 Oil container without sensor (4.071-260.3)	40
40 Blower	42
5 Housing blower complete (4.605-139.0)	44
50 Fuel pump and filter	46
6 Filter complete fuel (4.730-163.0)	48
60 Electric control box	50
70 Flow heater	52
71 Burner cover	53
7 Cover pressure boiler only for replaceme (4.654-296.0)	55
11 Conversion kit ignition electrode (2.638-974.0)	57
72 Outer covering and heating coil	59
2 Vessel mantel complete (4.652-150.0)	61
12 Bottom pressure boiler (4.655-044.0)	63
80 Level probe	65
90 Safety system	67
100 Accessories	69
41 EASY!Force Advanced (4.118-005.0)	71
1 Hand trigger gun TR EH 155	72

## Table of contents

---

9000 Spare part set lever (2.885-483.0)	74
42 Hose assembly TR rotatable DN6 25MPa 10m (6.110-035.0)	76
1 Hose assembly TR rotatable DN6 25MPa 10m	77
43 Jet pipe TR 840 mm (4.112-006.0)	79
1 Jet pipe TR 840 mm	80
44 Triple jet nozzle TR 034 (4.117-029.0)	82
1 Triple jet nozzle TR 034	83
110 Control panel	85
120 Set mounting parts	87
Spare parts list HDS 5/12-C (5.974-079.0)	89
10 Housing	90
21 Housing top part	91
22 Housing bottom part	93
1 Cover fuel complete (4.064-021.0)	95
3 Cover complete only for replacement (4.064-029.0)	97
20 Pump set	99
21 Cylinder head	100
7 Spare part set chemistry (2.883-862.0)	103
10 Drain plug only for replacement (4.132-007.0)	105
11 Valve (3 Stück) (2.884-916.0)	107
24 Spare part set control piston (2.884-165.0)	109
35 Valve pin complete (4.584-022.0)	110
37 Nozzle insert (4.769-032.0)	112
100 Pump set (2.884-035.0)	114
1 Valve (3 Stück) (2.884-916.0)	115
22 Piston	117
23 Switch	119
30 Motor	121
11 Oil container without sensor (4.071-260.3)	123
40 Blower	125
5 Housing blower complete (4.605-139.0)	127
50 Fuel pump and filter	129
6 Filter complete fuel (4.730-163.0)	131
60 Electric control box	133
70 Flow heater	135
71 Burner cover	136
7 Cover pressure boiler only for replaceme (4.654-296.0)	138
11 Conversion kit ignition electrode (2.638-974.0)	140

## Table of contents

---

72 Outer covering and heating coil	142
2 Vessel mantel complete (4.652-150.0)	144
12 Bottom pressure boiler (4.655-044.0)	146
80 Level probe	148
90 Safety system	150
100 Accessories	152
41 EASY!Force Advanced (4.118-005.0)	154
1 Hand trigger gun TR EH 155	155
9000 Spare part set lever (2.885-483.0)	157
42 Hose assembly TR rotatable DN6 25MPa 10m (6.110-035.0)	159
1 Hose assembly TR rotatable DN6 25MPa 10m	160
43 Jet pipe TR 840 mm (4.112-006.0)	162
1 Jet pipe TR 840 mm	163
44 Triple jet nozzle TR 034 (4.117-029.0)	165
1 Triple jet nozzle TR 034	166
110 Control panel	168
120 Set mounting parts	170

HDS 5/12 C \*EU (1.272-900.0)

---

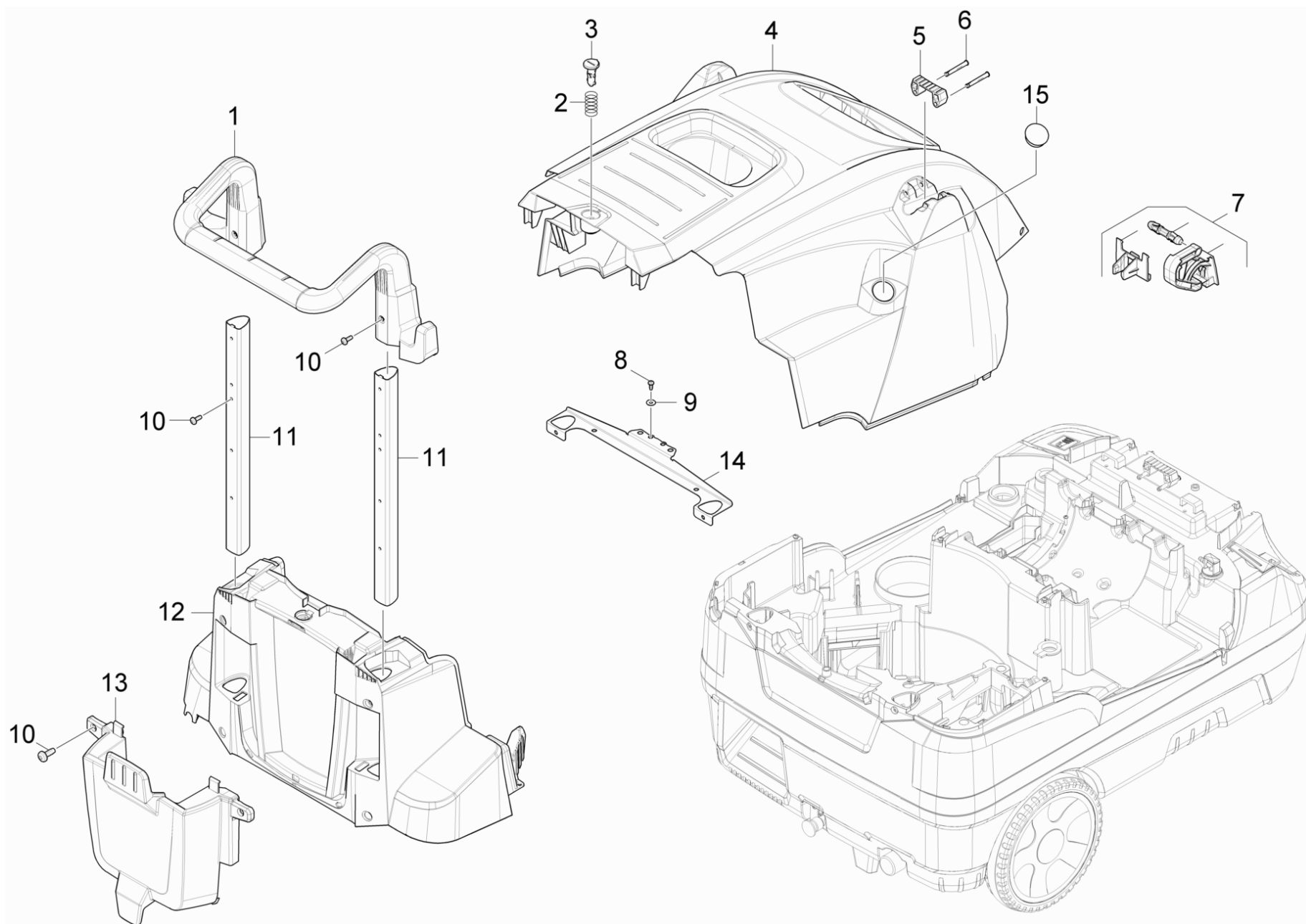
<b>POS</b>	<b>Article no.</b>	<b>Description</b>	<b>Quantity</b>	<b>Unit</b>
0	2.002-000.0	HDS 5/12C*EU TV 01.01.2018	1.000	ST
0	5.974-079.0	Spare parts list HDS 5/12-C	1.000	ST

POS	Description	Quantity	Unit
10	Housing	1.000	ST
20	Pump set	1.000	ST
30	Motor	1.000	ST
40	Blower	1.000	ST
50	Fuel pump and filter	1.000	ST
60	Electric control box	1.000	ST
70	Flow heater	1.000	ST
80	Level probe	1.000	ST
90	Safety system	1.000	ST
100	Accessories	1.000	ST
110	Control panel	1.000	ST
120	Set mounting parts	1.000	ST

## 10 Housing

---

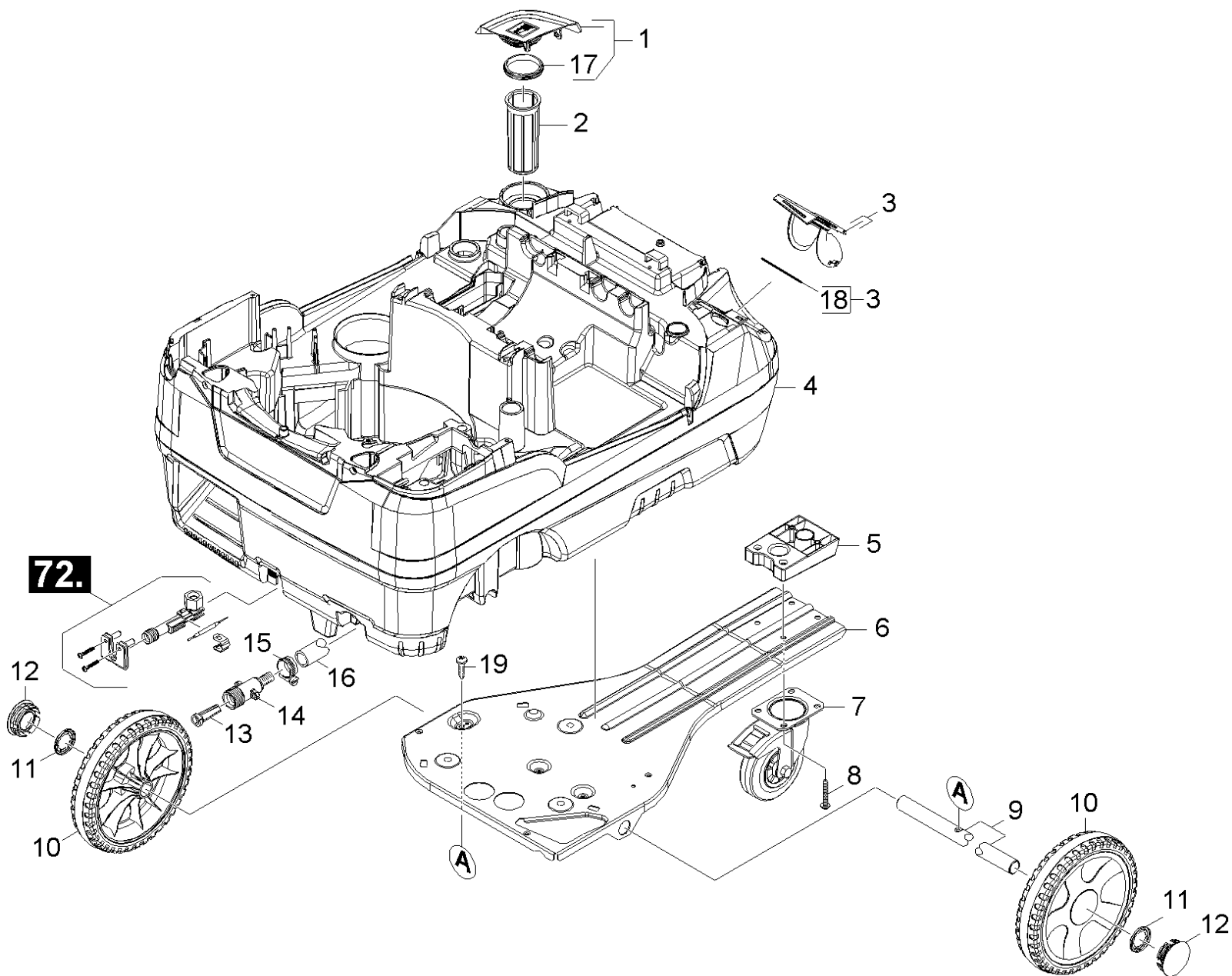
<b>POS</b>	<b>Description</b>	<b>Quantity</b>	<b>Unit</b>
21	Housing top part	1.000	ST
22	Housing bottom part	1.000	ST





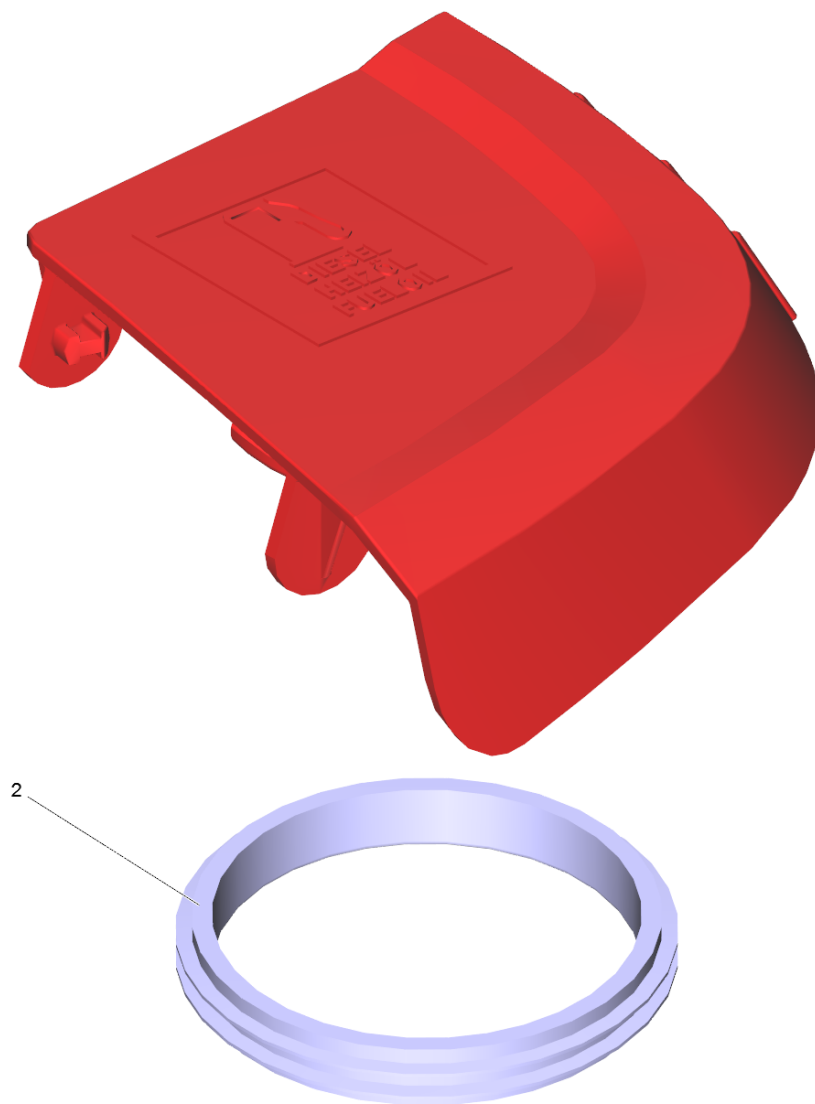
## 21 Housing top part

POS	Article no.	Description	Quantity	Unit	Foot note text
1	5.321-996.0	Sliding handle	1.000	ST	
2	5.332-236.0	Helical spring	1.000	ST	
3	5.317-765.0	Bolt closure cover	1.000	ST	
4	5.069-386.0	Device cover Grau HDS-C Neu	1.000	ST	
5	5.424-162.0	Fixing jet pipe	1.000	ST	
6	5.314-143.0	Pin fixing jet pipe	2.000	ST	
7	2.885-272.0	Spare part set hinge cover	1.000	ST	SET OF 2 PIECES
8	7.303-038.0	Screw M5x12 -St-P2R (In6Rd)	2.000	ST	
9	7.312-278.0	Washer 5-200HV-A2E ISO7093-1	2.000	ST	
10	7.303-047.0	Screw M6x16 -St-R3R (In6Rd)	6.000	ST	
11	5.107-295.0	Bar handhold	2.000	ST	
12	5.050-999.0	Moulded part rear panel	1.000	ST	
13	5.033-725.0	Tool bag	1.000	ST	
14	5.762-420.0	Bracket plate	1.000	ST	
15	6.368-324.0	Drain plug	1.000	ST	
	<b>Item text1:</b> 1.272-214.0				



## 22 Housing bottom part

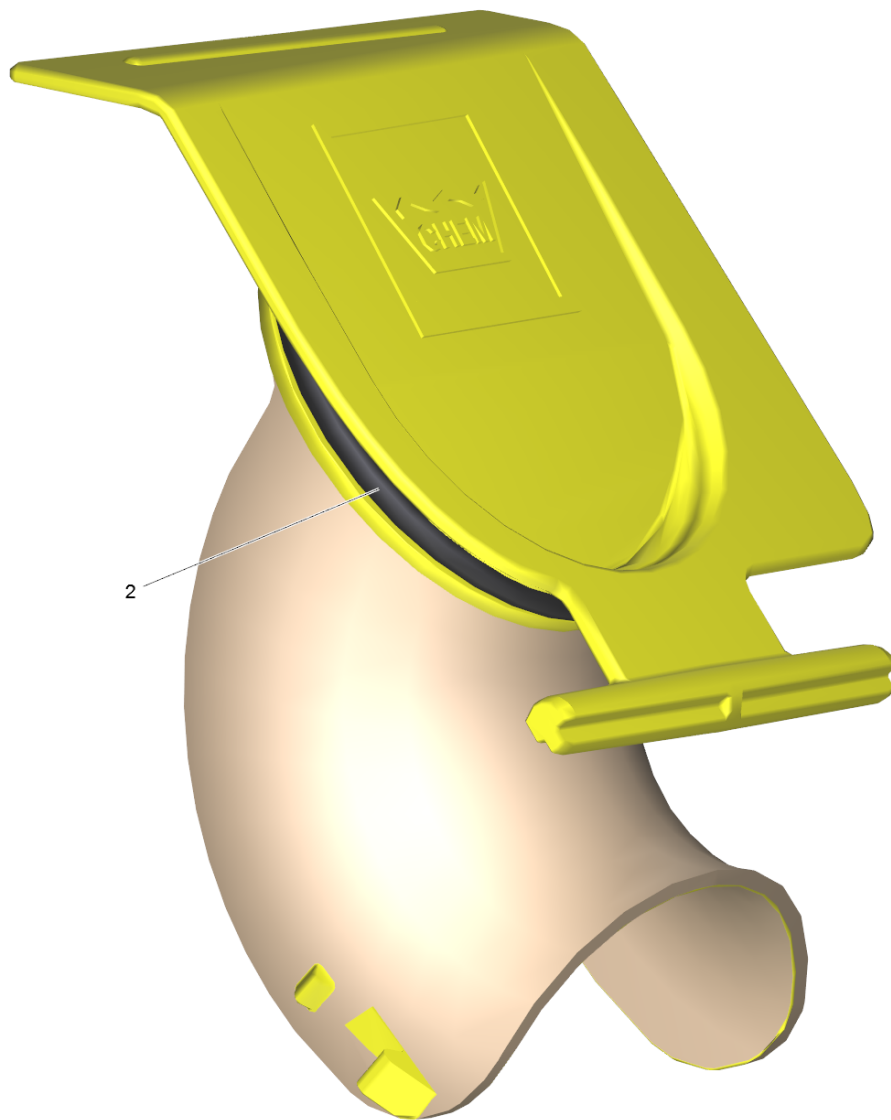
POS	Article no.	Description	Quantity	Unit	Foot note text
1	4.064-021.0	Cover fuel complete	1.000	ST	
2	5.731-039.0	Filter	1.000	ST	
3	4.064-029.0	Cover complete only for replacement	1.000	ST	
4	4.051-201.0	Base frame complete only for replacement	1.000	ST	
5	5.424-159.0	Fixing castor	1.000	ST	
6	5.051-199.0	Base plate	1.000	ST	
7	6.435-826.0	Castor D 125	1.000	ST	
8	7.303-275.0	Screw 8x50 -10.9-A3E (In6Rd)	4.000	ST	
9	5.105-651.0	Axle	1.000	ST	
10	4.515-343.0	Wheel complete	2.000	ST	
11	6.343-162.0	Lock washer -25	2.000	ST	
12	2.889-086.0	Set wheel cap	2.000	ST	
13	6.414-141.0	Strainer	1.000	ST	
14	5.427-432.0	Manifold	1.000	ST	
15	7.373-022.0	Hose clip A-16-27x9 -W2-2 DIN3017	1.000	ST	
16	6.388-719.0	Hose DN17	1.000	M	TO ORDER AS CUT GOODS
17	5.363-300.0	Joint ring	1.000	ST	
18	6.363-564.0	O-Ring seal 65x4 NBR	1.000	ST	
19	7.303-067.0	Screw M8x16-ST-R3R (IN6RD)	1.000	ST	



1 Cover fuel complete (4.064-021.0)

---

<b>POS</b>	<b>Article no.</b>	<b>Description</b>	<b>Quantity</b>	<b>Unit</b>
2	5.363-300.0	Joint ring	1.000	ST



3 Cover complete only for replacement (4.064-029.0)

---

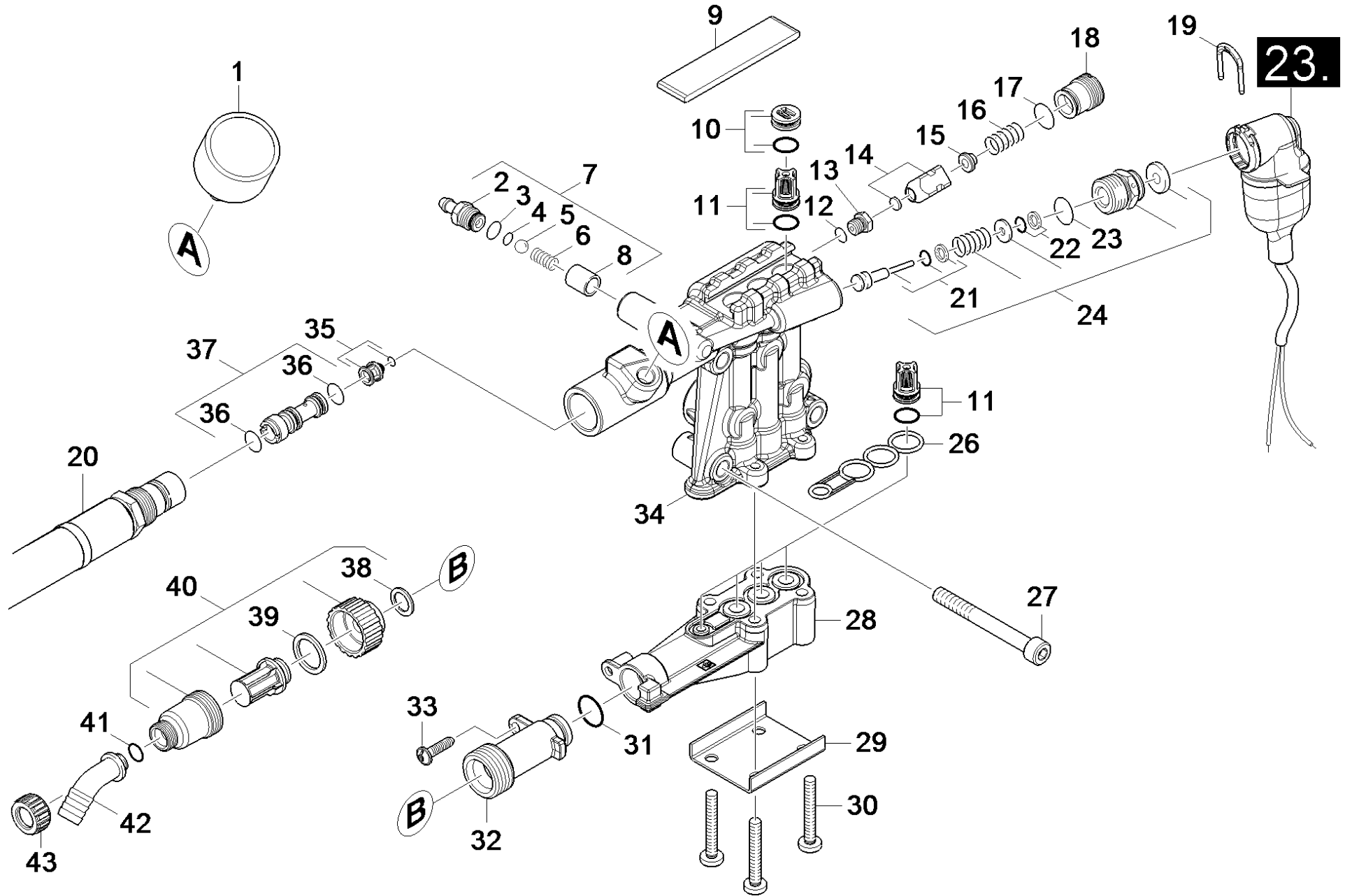
<b>POS</b>	<b>Article no.</b>	<b>Description</b>	<b>Quantity</b>	<b>Unit</b>
2	6.363-564.0	O-Ring seal 65x4 NBR	1.000	ST

## 20 Pump set

---

<b>POS</b>	<b>Description</b>	<b>Quantity</b>	<b>Unit</b>
21	Cylinder head	1.000	ST
22	Piston	1.000	ST
23	Switch	1.000	ST





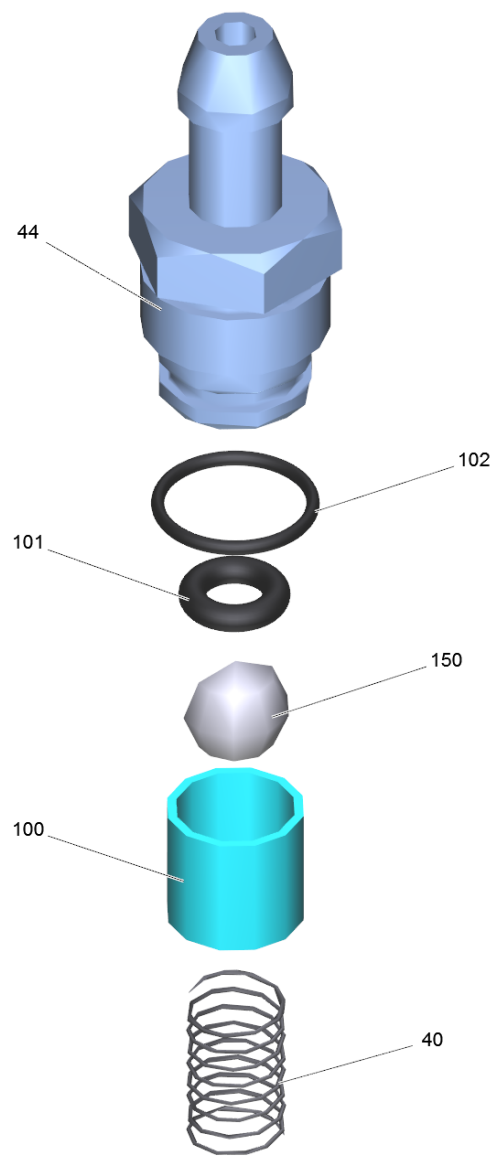
## 21 Cylinder head

POS	Article no.	Description	Quantity	Unit	Foot note text
1	4.422-991.0	Pressure gauge complete only for replace	1.000	ST	
	<b>Item text1:</b> 1.272-210.0 /-211.0				
2	5.443-448.0	Nipple chemistry	1.000	ST	
3	6.362-451.0	O-Ring seal 8,0 x 1,0	1.000	ST	
4	6.363-597.0	O-Ring seal 5,28 x 1,78	1.000	ST	
5	7.401-908.0	Sphere 7 G300 -1.4301 DIN 5401	1.000	ST	
6	5.332-258.0	Helical spring	1.000	ST	
7	2.883-862.0	Spare part set chemistry	1.000	ST	
8	5.110-714.0	Sleeve	1.000	ST	
9	5.003-062.0	Plate	1.000	ST	
10	4.132-007.0	Drain plug only for replacement	3.000	ST	
11	2.884-916.0	Valve (3 Stück)	2.000	ST	SET CONSITSTS OF 3X VALVE
12	6.362-703.0	O-Ring seal 6,0x1,5-NBR 70	1.000	ST	
13	5.581-231.0	Valve seat	1.000	ST	
14	4.582-019.0	Valve disc complete	1.000	ST	
15	5.584-060.0	Valve pin	1.000	ST	
16	5.332-414.0	Helical spring	1.000	ST	
17	6.362-169.0	O-Ring seal 12,0 X 2,0	1.000	ST	
18	5.583-096.0	Valve screw	1.000	ST	
19	5.034-494.0	Retaining bracket	1.000	ST	
20	6.391-859.0	High pressure hose DN 13	1.000	ST	
21	4.553-204.0	Piston complete only for replacement	1.000	ST	
22	6.363-074.0	O-Ring seal complete	1.000	ST	
23	6.362-528.0	O-Ring seal 9,5 X 2,0	1.000	ST	
24	2.884-165.0	Spare part set control piston	1.000	ST	
26	5.365-284.0	Profile gasket	1.000	ST	
27	7.306-106.0	Cylinder head screw M8x70 -8.8-A2E ISO4	4.000	ST	
28	5.064-230.0	Suction cover	1.000	ST	
29	5.005-314.0	Plate suction cover	1.000	ST	
30	7.306-129.0	Screw M6x40 -8.8-R3R (In6Rd)	4.000	ST	
31	6.362-481.0	O-Ring seal 14,0 x 2,0 NBR 80	1.000	ST	
32	5.402-727.0	Suction nipple	1.000	ST	
33	7.303-108.0	Screw 5x20 -10.9-R2R (In6Rd)	1.000	ST	

## 21 Cylinder head

---

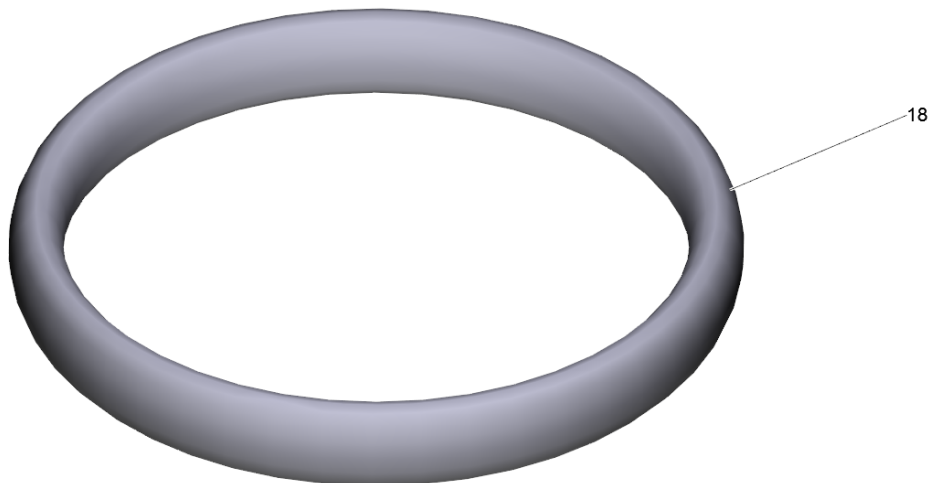
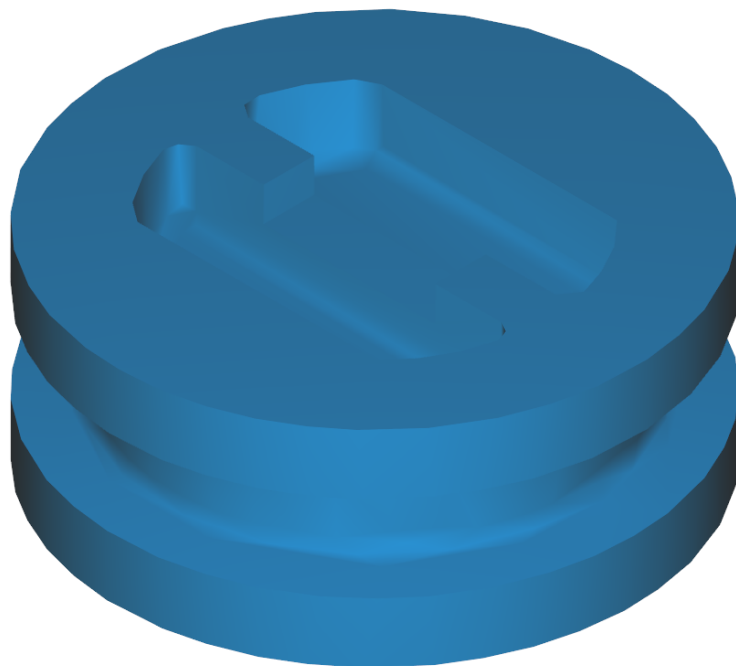
POS	Article no.	Description	Quantity	Unit	Foot note text
34	4.550-999.0	Cylinder head complete only for replacem	1.000	ST	
35	4.584-022.0	Valve pin complete	1.000	ST	
36	6.362-384.0	O-Ring seal 9x1,5 - NBR 70	2.000	ST	
37	4.769-032.0	Nozzle insert	1.000	ST	
38	5.363-545.0	Seal	1.000	ST	
39	5.363-336.0	Seal	1.000	ST	
40	4.730-141.0	Filter complete	1.000	ST	
41	6.362-078.0	O-Ring seal 13,3x2,4	1.000	ST	
42	5.443-285.0	Hose stem	1.000	ST	
43	5.310-167.0	Nut G 3/4"	1.000	ST	
100	2.884-035.0	Pump set	1.000	ST	



## 7 Spare part set chemistry (2.883-862.0)

---

POS	Article no.	Description	Quantity	Unit
40	5.332-258.0	Helical spring	1.000	ST
44	5.443-448.0	Nipple chemistry	1.000	ST
100	5.110-714.0	Sleeve	1.000	ST
101	6.363-597.0	O-Ring seal 5,28 x 1,78	1.000	ST
102	6.362-451.0	O-Ring seal 8,0 x 1,0	1.000	ST
110	6.376-036.0	Label spare parts neutrally 65x55 MM	1.000	ZST
150	7.401-908.0	Sphere 7 G300 -1.4301 DIN 5401	1.000	ST

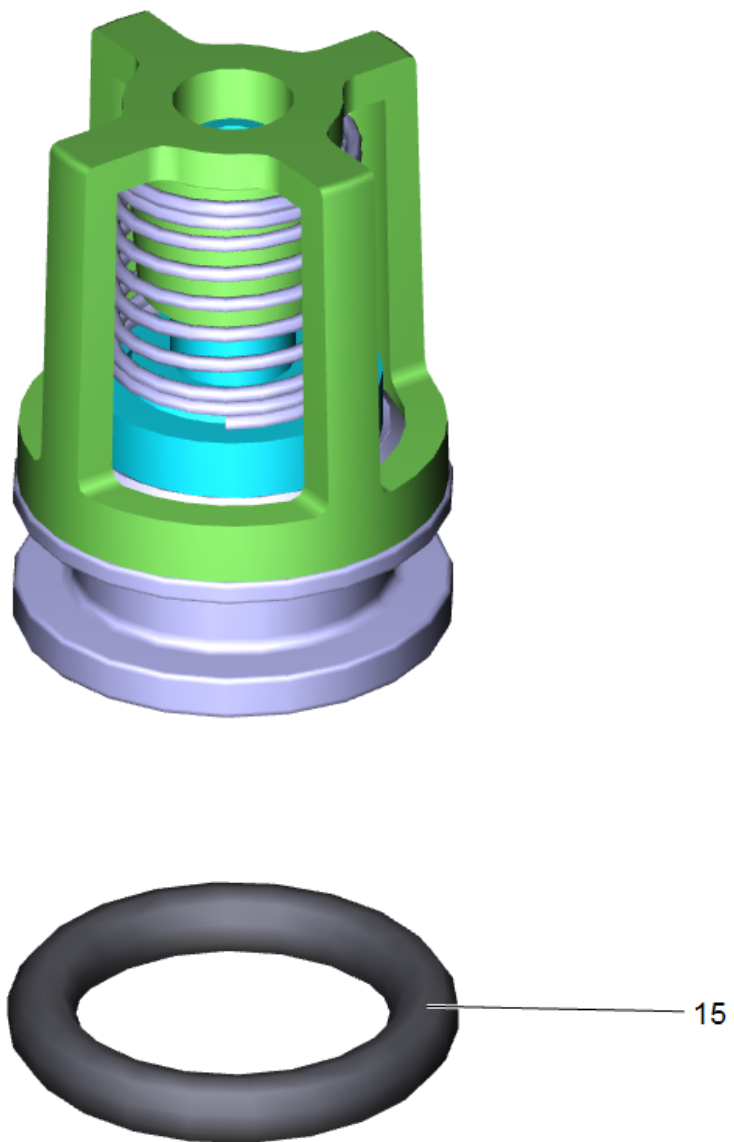


10 Drain plug only for replacement (4.132-007.0)

---

<b>POS</b>	<b>Article no.</b>	<b>Description</b>	<b>Quantity</b>	<b>Unit</b>
18	6.362-458.0	O-Ring seal 11,0x2,0-NBR 70	1.000	ST

---





11 Valve (3 Stück) (2.884-916.0)

---

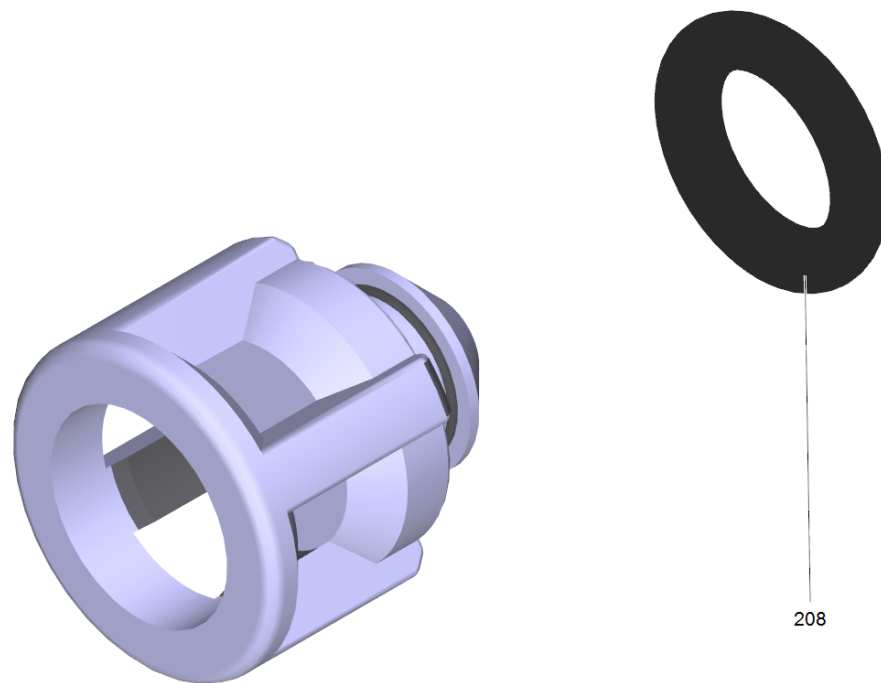
POS	Article no.	Description	Quantity	Unit
15	6.362-077.0	O-Ring seal 10 x 2,2 NBR 70	1.000	ST

---

## 24 Spare part set control piston (2.884-165.0)

---

<b>POS</b>	<b>Article no.</b>	<b>Description</b>	<b>Quantity</b>	<b>Unit</b>
10	4.553-204.0	Piston complete only for replacement	1.000	ST
20	5.115-869.0	Washer	1.000	ST
30	5.332-157.0	Helical spring	1.000	ST
40	5.367-030.0	Diaphragm	1.000	ST
50	5.411-155.0	Screw plug	1.000	ST
60	6.362-528.0	O-Ring seal 9,5 X 2,0	1.000	ST
70	6.363-074.0	O-Ring seal complete	1.000	ST

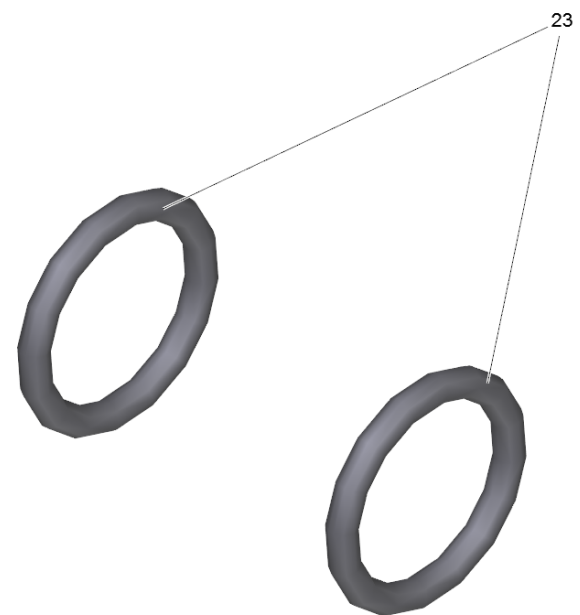
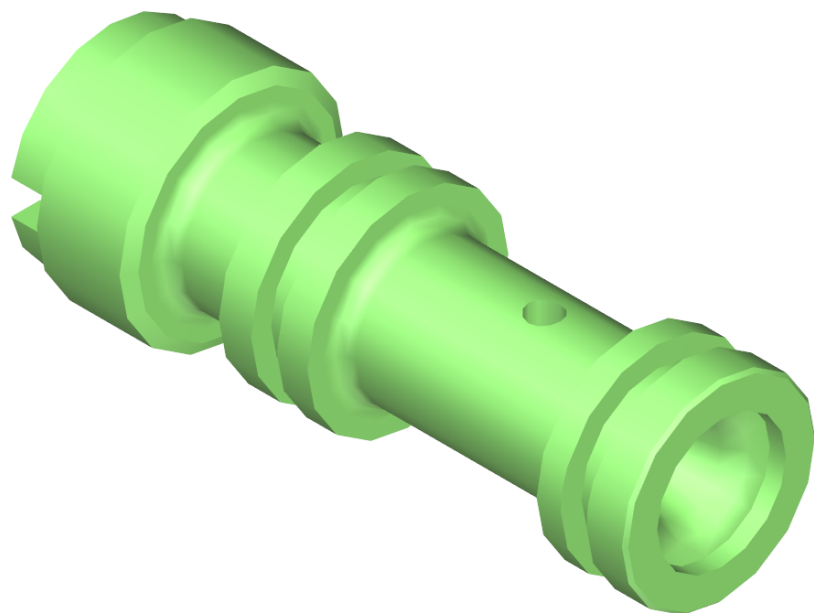


208

35 Valve pin complete (4.584-022.0)

---

POS	Article no.	Description	Quantity	Unit
208	6.363-613.0	O-Ring seal 4 x 2 -NBR90	1.000	ST



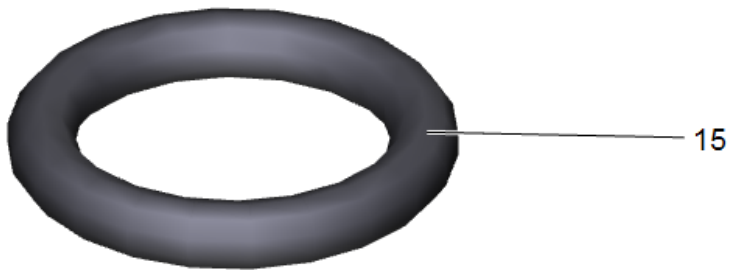
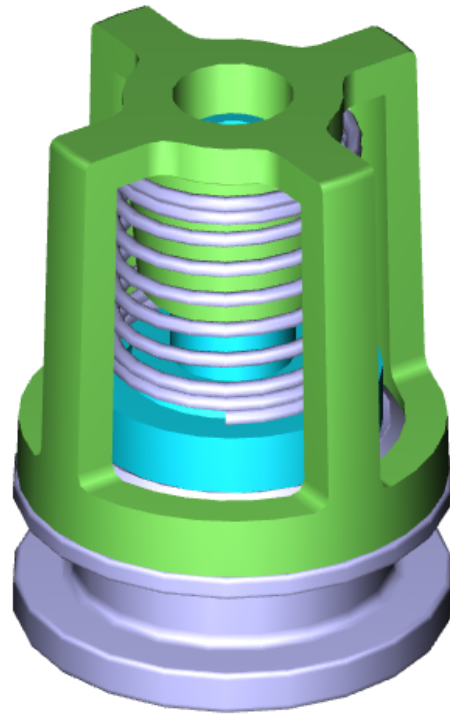
37 Nozzle insert (4.769-032.0)

---

<b>POS</b>	<b>Article no.</b>	<b>Description</b>	<b>Quantity</b>	<b>Unit</b>
23	6.362-384.0	O-Ring seal 9x1,5 - NBR 70	2.000	ST
145		Grease	0.010	G

100 Pump set (2.884-035.0)

POS	Article no.	Description	Quantity	Unit
1	2.884-916.0	Valve (3 Stück)	2.000	ST
2	5.034-494.0	Retaining bracket	1.000	ST
3	5.115-721.0	Washer	3.000	ST
4	5.115-869.0	Washer	1.000	ST
5	5.116-093.0	Washer	3.000	ST
6	5.365-284.0	Profile gasket	1.000	ST
7	6.362-376.0	O-Ring seal 24,0 X 1,5	3.000	ST
8	6.362-458.0	O-Ring seal 11,0x2,0-NBR 70	3.000	ST
9	6.365-477.0	Grooved ring 12x20x5,3/2,8	6.000	ST



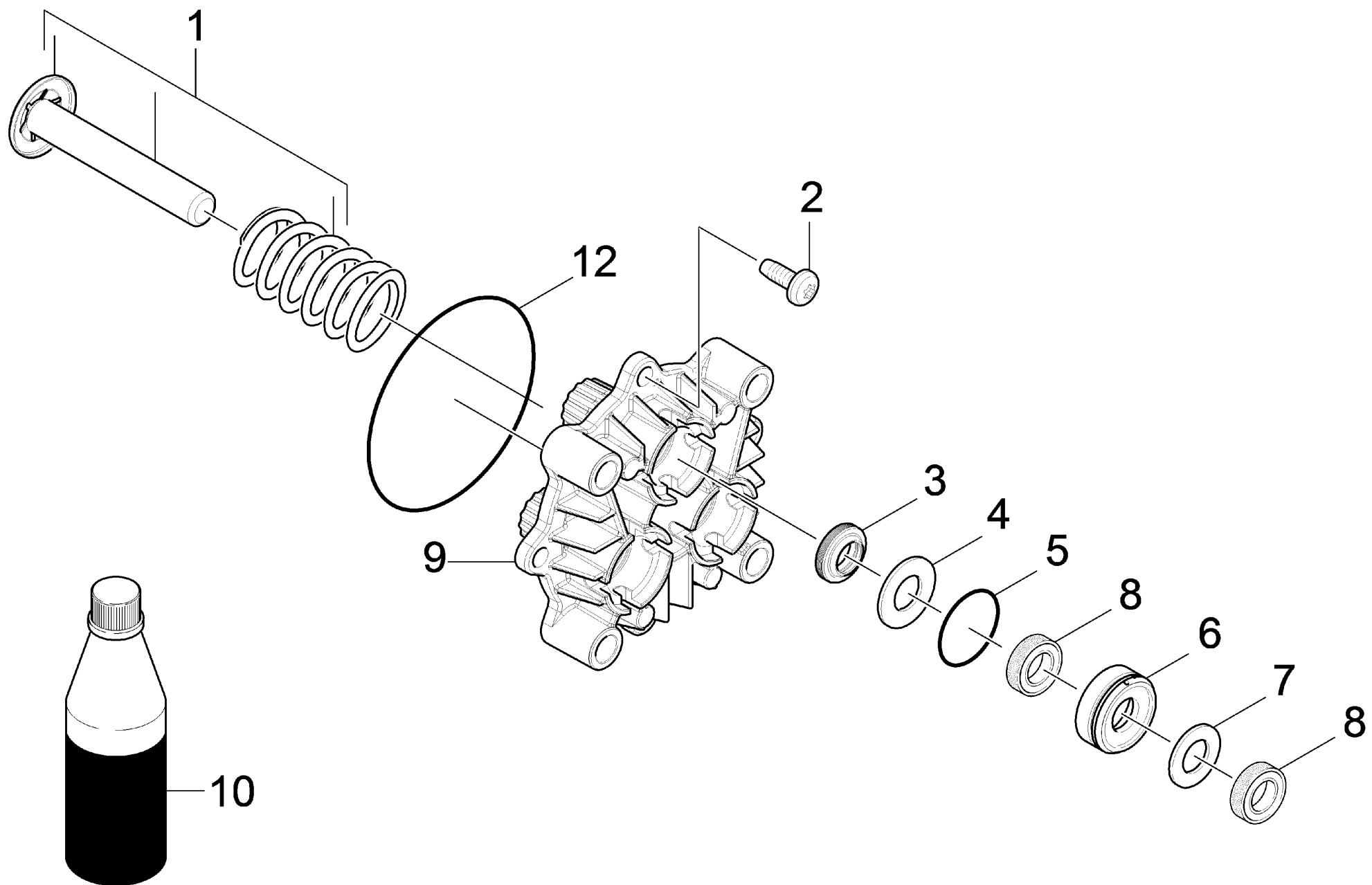


1 Valve (3 Stück) (2.884-916.0)

---

POS	Article no.	Description	Quantity	Unit
15	6.362-077.0	O-Ring seal 10 x 2,2 NBR 70	1.000	ST

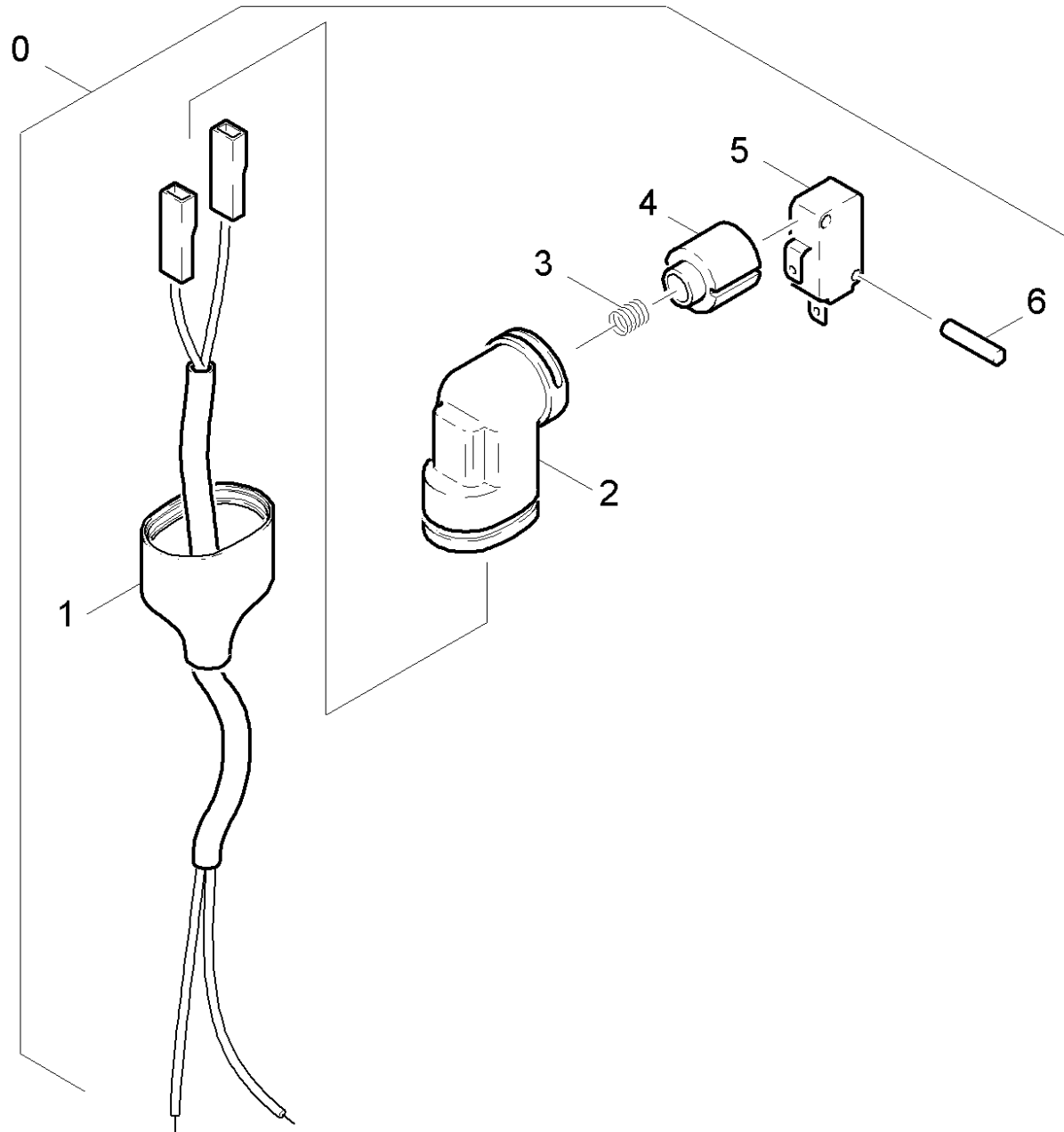
---



## 22 Piston

---

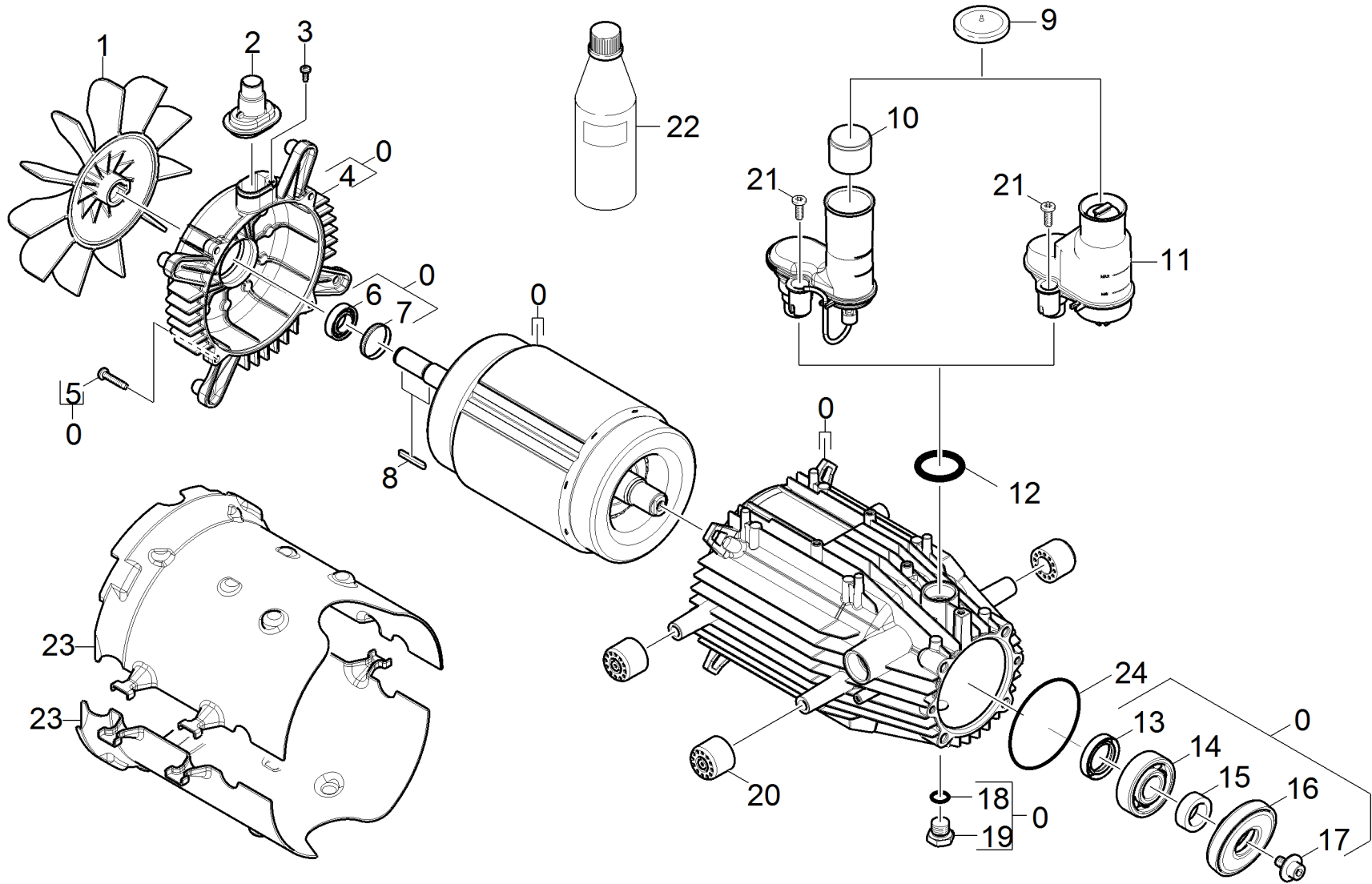
<b>POS</b>	<b>Article no.</b>	<b>Description</b>	<b>Quantity</b>	<b>Unit</b>
1	4.553-230.0	Piston complete	3.000	ST
2	7.303-047.0	Screw M6x16 -St-R3R (In6Rd)	2.000	ST
3	6.365-001.0	Grooved ring 12x20x4/6	3.000	ST
4	5.116-093.0	Washer	3.000	ST
5	6.362-376.0	O-Ring seal 24,0 X 1,5	3.000	ST
6	5.112-726.0	Bush	3.000	ST
7	5.115-721.0	Washer	3.000	ST
8	6.365-477.0	Grooved ring 12x20x5,3/2,8	6.000	ST
9	5.061-018.3	Thrust guidance	1.000	ST
10	6.288-050.0	Engine oil 1L	1.000	ST
12	6.363-077.0	O-Ring seal 75x3	1.000	ST



## 23 Switch

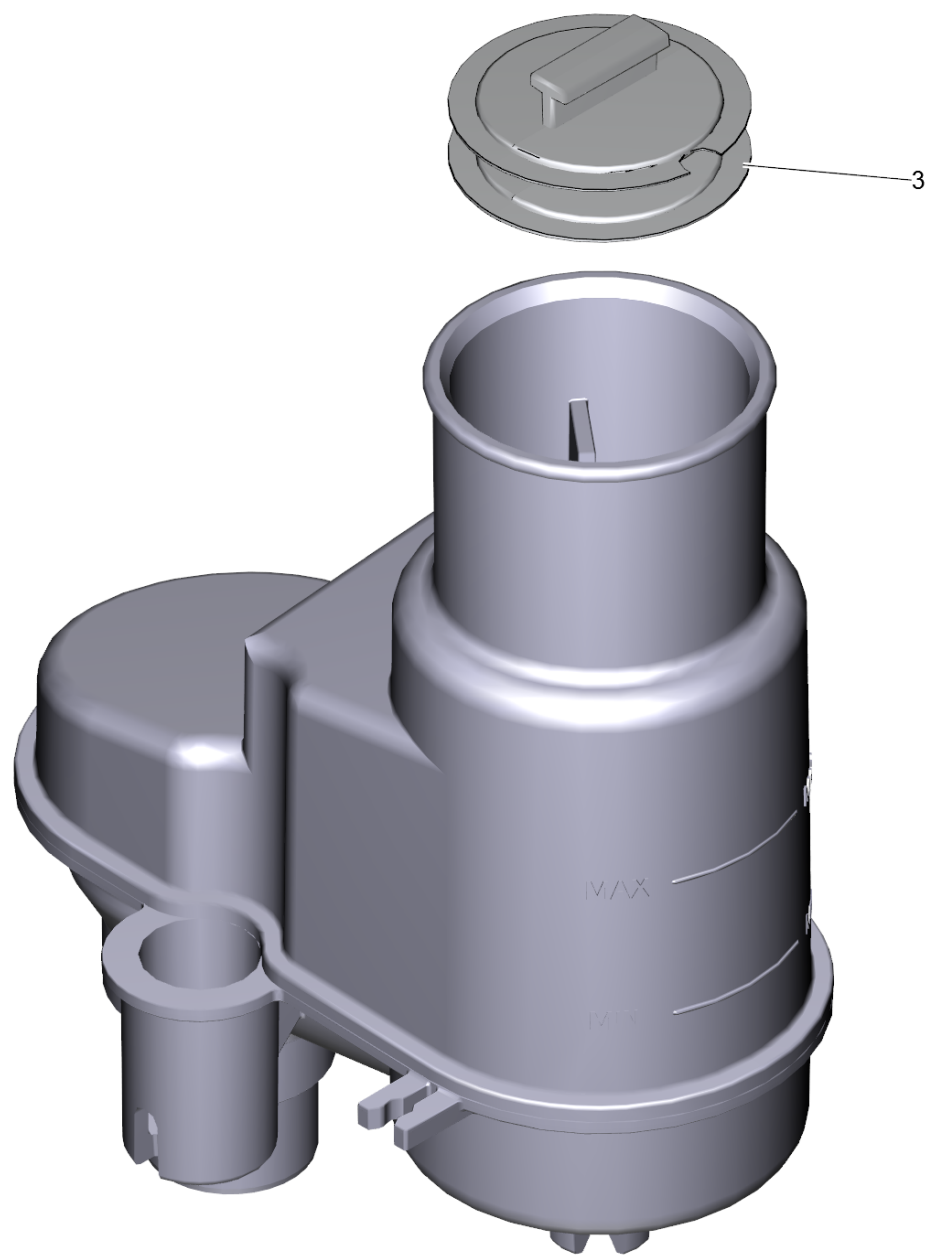
---

<b>POS</b>	<b>Article no.</b>	<b>Description</b>	<b>Quantity</b>	<b>Unit</b>
0	4.744-001.0	Switch complete -nur fuer Ersatz-	1.000	ST
1	6.648-111.0	Control cable	1.000	ST
2	5.042-860.0	Holder	1.000	ST
3	5.332-322.0	Spring	1.000	ST
4	5.053-051.0	Bracket	1.000	ST
5	6.631-807.0	Micro switch	1.000	ST
6	7.314-664.0	Straight grooved pin 3,0x20-KU ISO 8740	1.000	ST



## 30 Motor

POS	Article no.	Description	Quantity	Unit
0	4.624-185.0	Motor complete only for replacement	1.000	ST
1	5.600-098.0	Blower wheel	1.000	ST
2	5.365-336.0	Profile gasket	1.000	ST
3	7.303-031.0	Screw M4x10 -St-P2R (In6Rd)	1.000	ST
4	5.064-336.0	Bearing cover B	1.000	ST
5	7.303-042.0	Screw M5x25 -St-R2R (In6Rd)	4.000	ST
6	7.401-134.0	Ball bearing 6203-2RS-WAELZLAGST DIN 625	1.000	ST
7	6.343-028.0	Tolerance ring	1.000	ST
8	7.318-005.0	Parallel key 5x5x28-C45K DIN 6885	2.000	ST
9	5.064-458.0	Cover oil	1.000	ST
10	5.132-107.0	Plug	1.000	ST
11	4.071-260.3	Oil container without sensor	1.000	ST
12	6.362-161.0	O-Ring seal 19,3 X 2,4	1.000	ST
13	7.367-001.0	Radial shaft seal ring A24x37x7 -NBR DI	1.000	ST
14	7.401-155.0	Ball bearing 6304-WAELZLAGERST DIN 625	1.000	ST
15	5.116-144.0	Washer	1.000	ST
16	6.401-289.0	Wobble plate	1.000	ST
17	9.086-169.0	Wobble plate screw M8x16	1.000	ST
18	6.362-028.0	O-Ring seal 11x2,2 NBR 70	1.000	ST
19	5.411-100.0	Screw plug	1.000	ST
20	5.767-005.0	Rubber buffer	4.000	ST
21	6.303-153.0	Screw M5x15-ST-R2R (IN6RD)	1.000	ST
22	6.288-219.0	Engine oil 1 L	1.000	ST
23	5.692-117.0	Air circulation extension	2.000	ST
24	6.363-077.0	O-Ring seal 75x3	1.000	ST

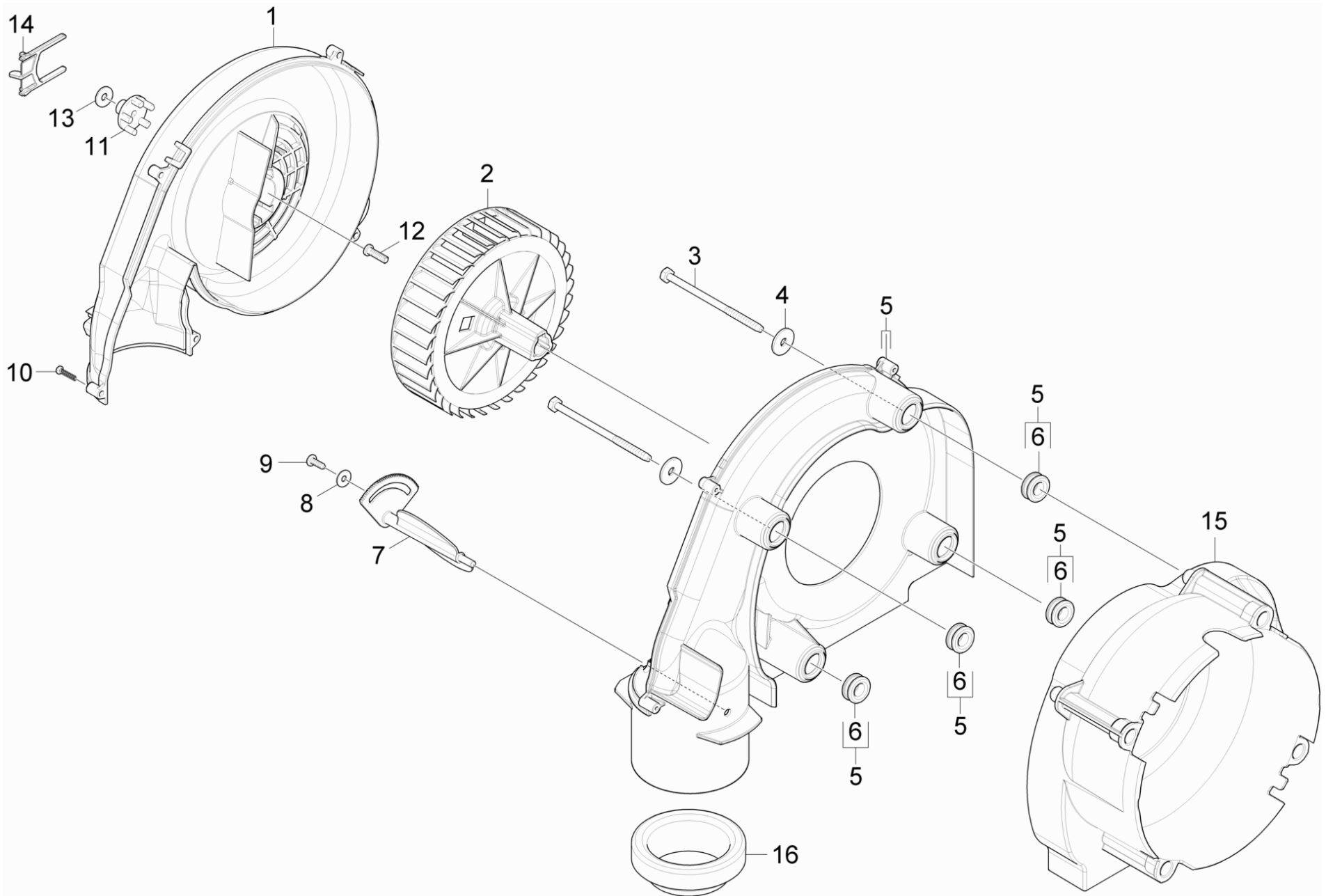




11 Oil container without sensor (4.071-260.3)

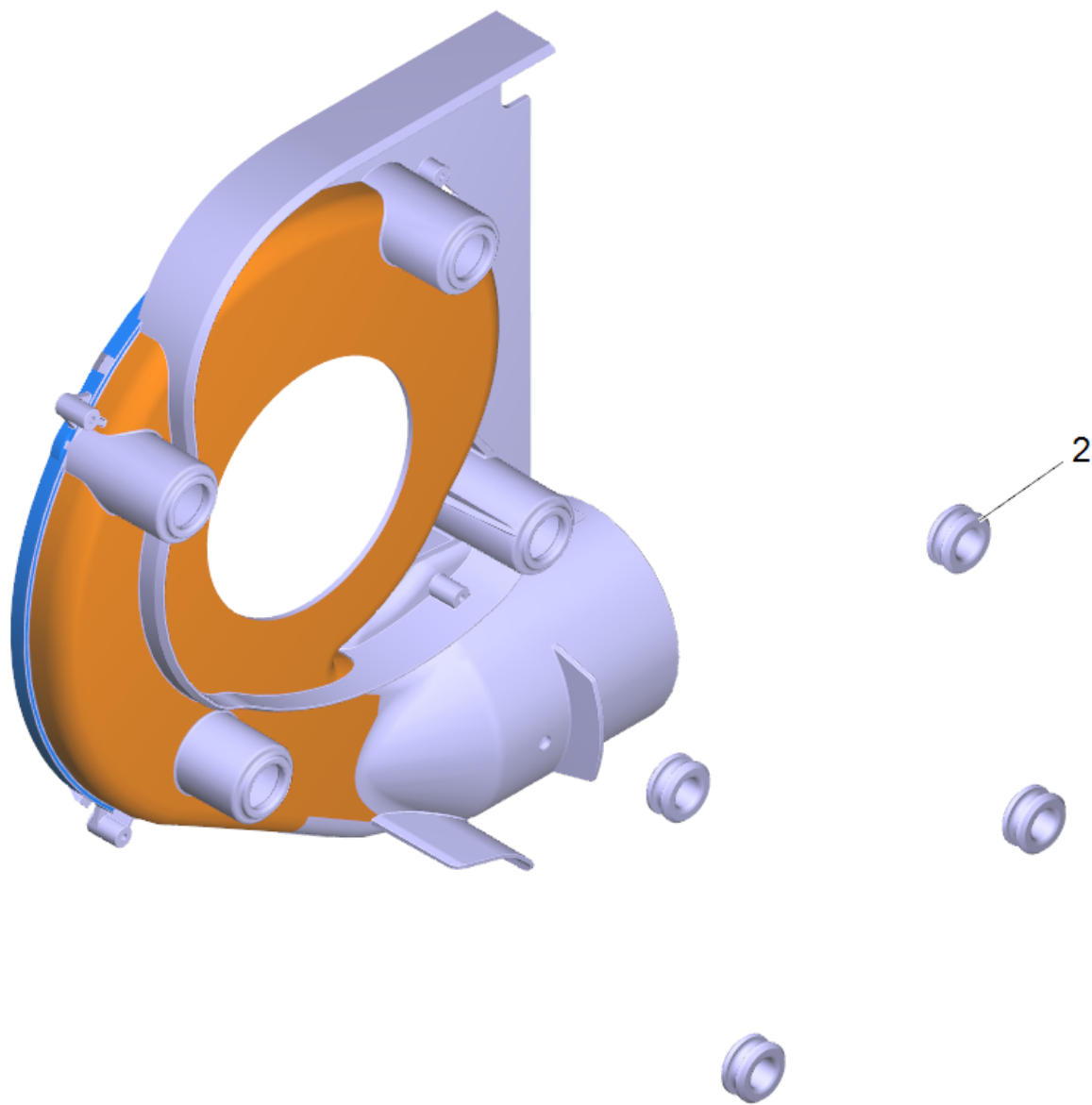
---

POS	Article no.	Description	Quantity	Unit
3	5.063-042.0	Cover oil box	1.000	ST



## 40 Blower

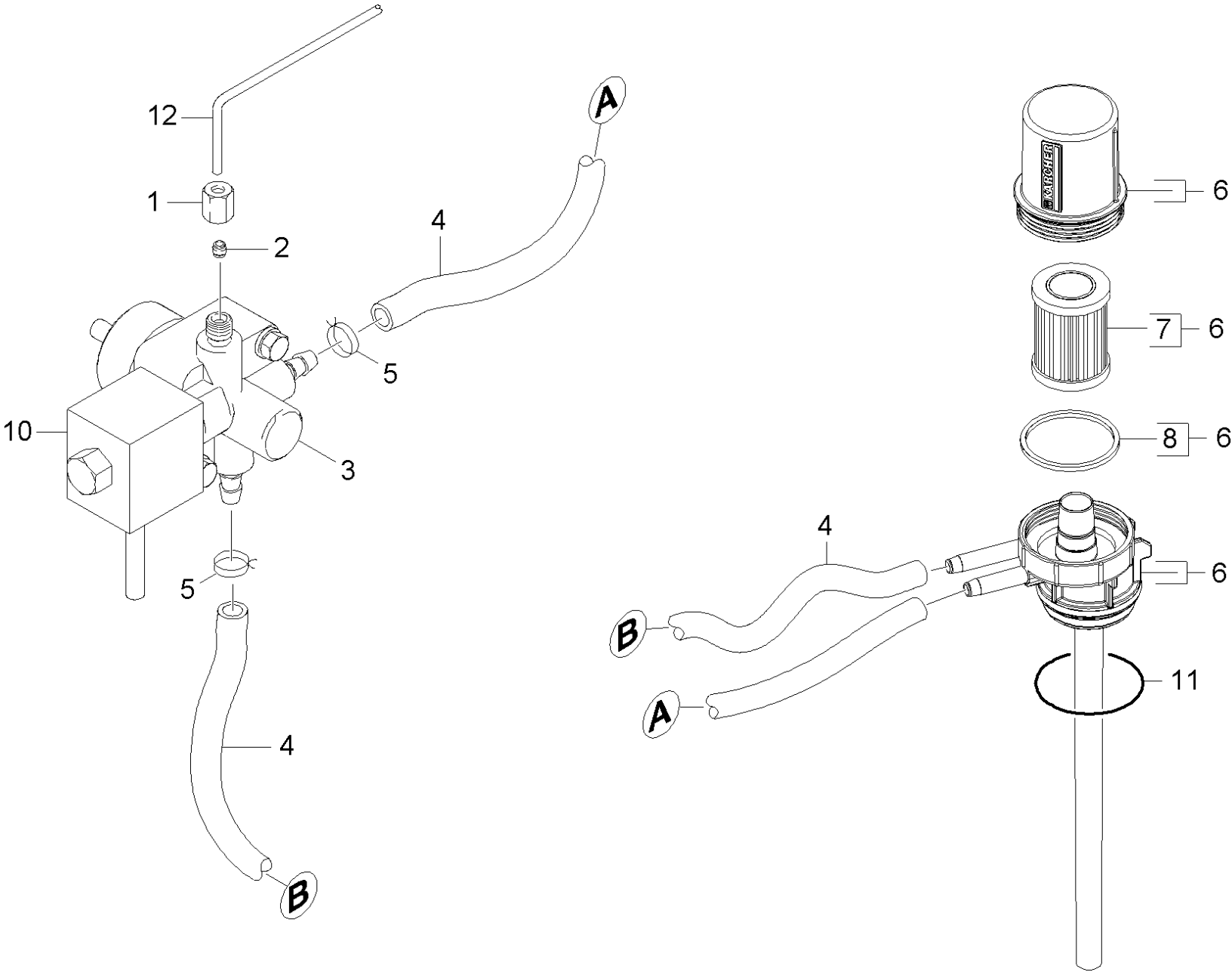
POS	Article no.	Description	Quantity	Unit
1	5.064-341.0	Cover blower	1.000	ST
2	5.600-100.0	Blower wheel	1.000	ST
3	6.303-517.0	Self-tapping screw M6x100	4.000	ST
4	7.312-260.0	Washer 6 -100HV-A3E ISO 7094	4.000	ST
5	4.605-139.0	Housing blower complete	1.000	ST
6	5.379-019.0	Rubber ring	4.000	ST
7	5.606-009.0	Air flap	1.000	ST
8	7.312-278.0	Washer 5-200HV-A2E ISO7093-1	1.000	ST
9	7.303-107.0	Screw 5x16 -10.9-P2R (K-In6Rd)	1.000	ST
10	7.303-084.0	Screw 4x25 -10.9-R2R (K-In6Rd)	2.000	ST
11	5.471-097.0	Coupler fuel pump	1.000	ST
12	6.304-145.0	Screw M 6X20-R3R (IN6RD)	1.000	ST
13	7.312-276.0	Washer 6 -200HV-A2E ISO7093-1	1.000	ST
14	5.263-099.0	Clamp	1.000	ST
15	5.692-099.0	Air circulation	1.000	ST
16	5.178-040.0	Collar air circulation	1.000	ST



5 Housing blower complete (4.605-139.0)

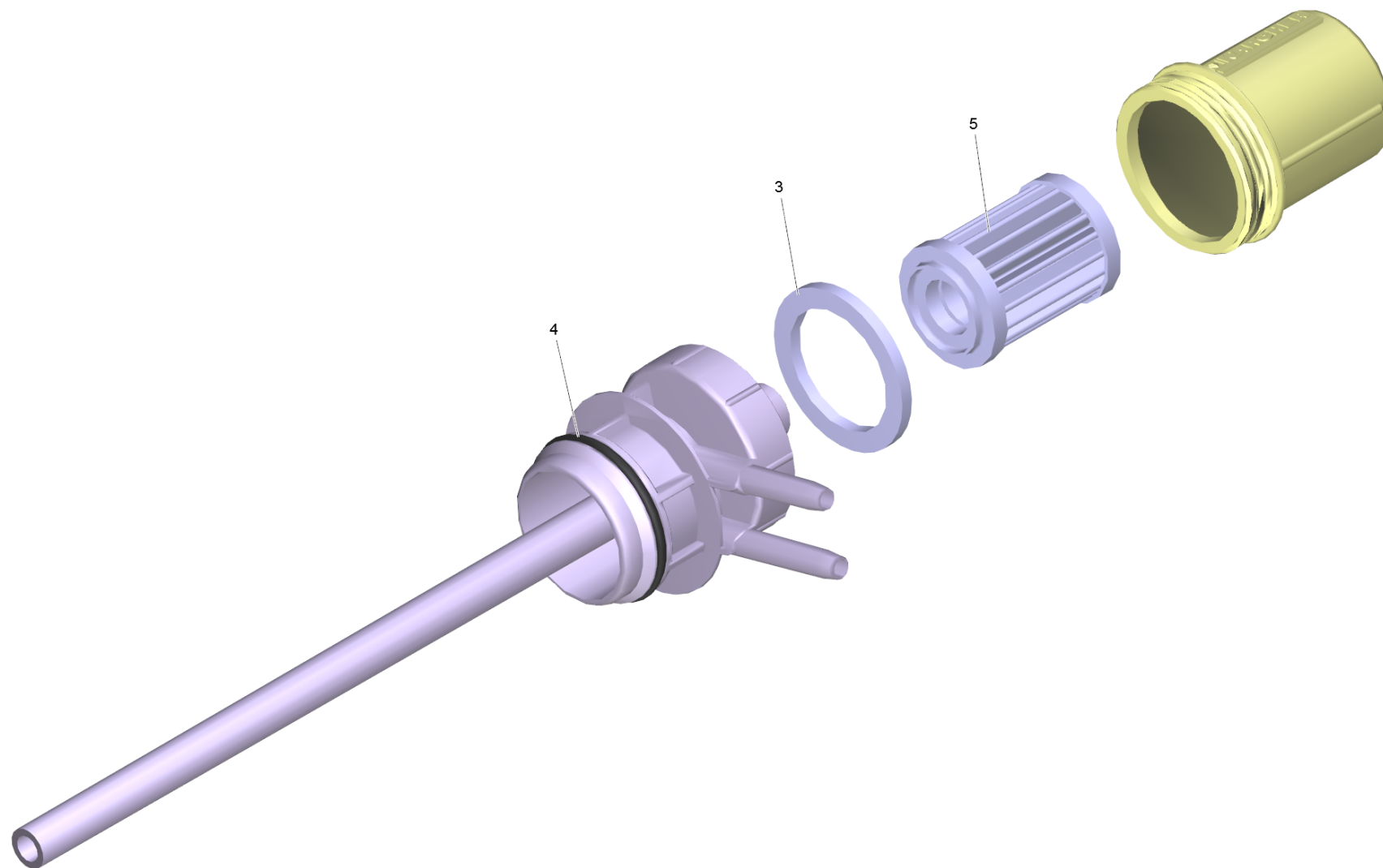
---

<b>POS</b>	<b>Article no.</b>	<b>Description</b>	<b>Quantity</b>	<b>Unit</b>
2	5.379-019.0	Rubber ring	4.000	ST



## 50 Fuel pump and filter

POS	Article no.	Description	Quantity	Unit	Foot note text
1	6.389-262.0	Union nut A 4-LL	1.000	ST	
2	6.389-263.0	Cutting ring d.4	1.000	ST	
3	6.473-566.0	Fuel pump only for replacement	1.000	ST	
4	6.391-820.0	Hose	1.000	M	TO ORDER AS CUT GOODS
5	6.388-559.0	Hose clip	2.000	ST	
6	4.730-163.0	Filter complete fuel	1.000	ST	
7	6.414-559.0	Filter fuel	1.000	ST	
8	5.363-629.0	Seal	1.000	ST	
10	6.473-568.0	Solenoid valve complete only for replace	1.000	ST	
11	6.363-579.0	O-Ring seal 35 x 2,5	1.000	ST	
12	5.423-417.0	Conduit fuel	1.000	ST	

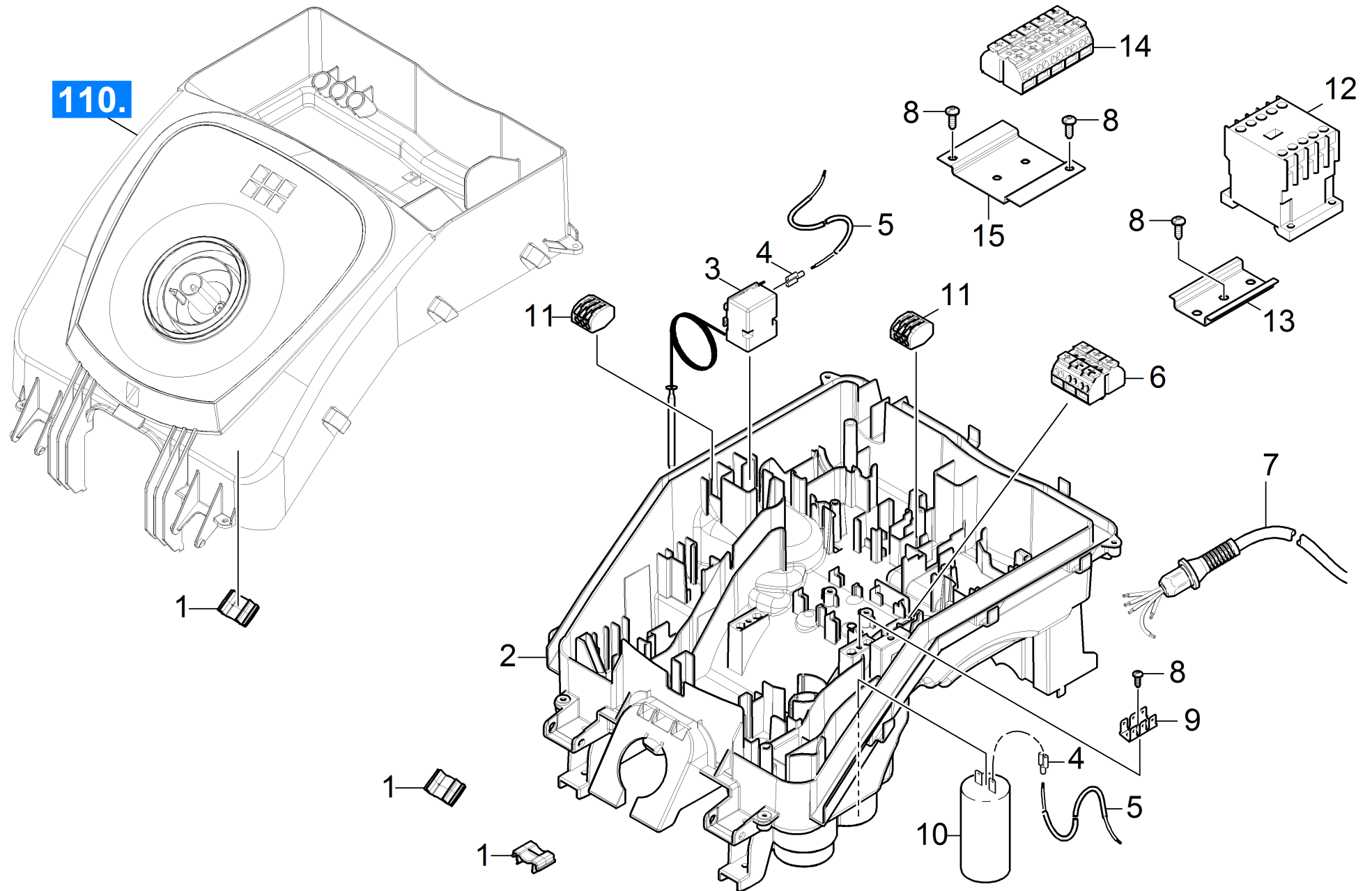




## 6 Filter complete fuel (4.730-163.0)

---

<b>POS</b>	<b>Article no.</b>	<b>Description</b>	<b>Quantity</b>	<b>Unit</b>
3	5.363-629.0	Seal	1.000	ST
4	6.363-579.0	O-Ring seal 35 x 2,5	1.000	ST
5	6.414-559.0	Filter fuel	1.000	ST



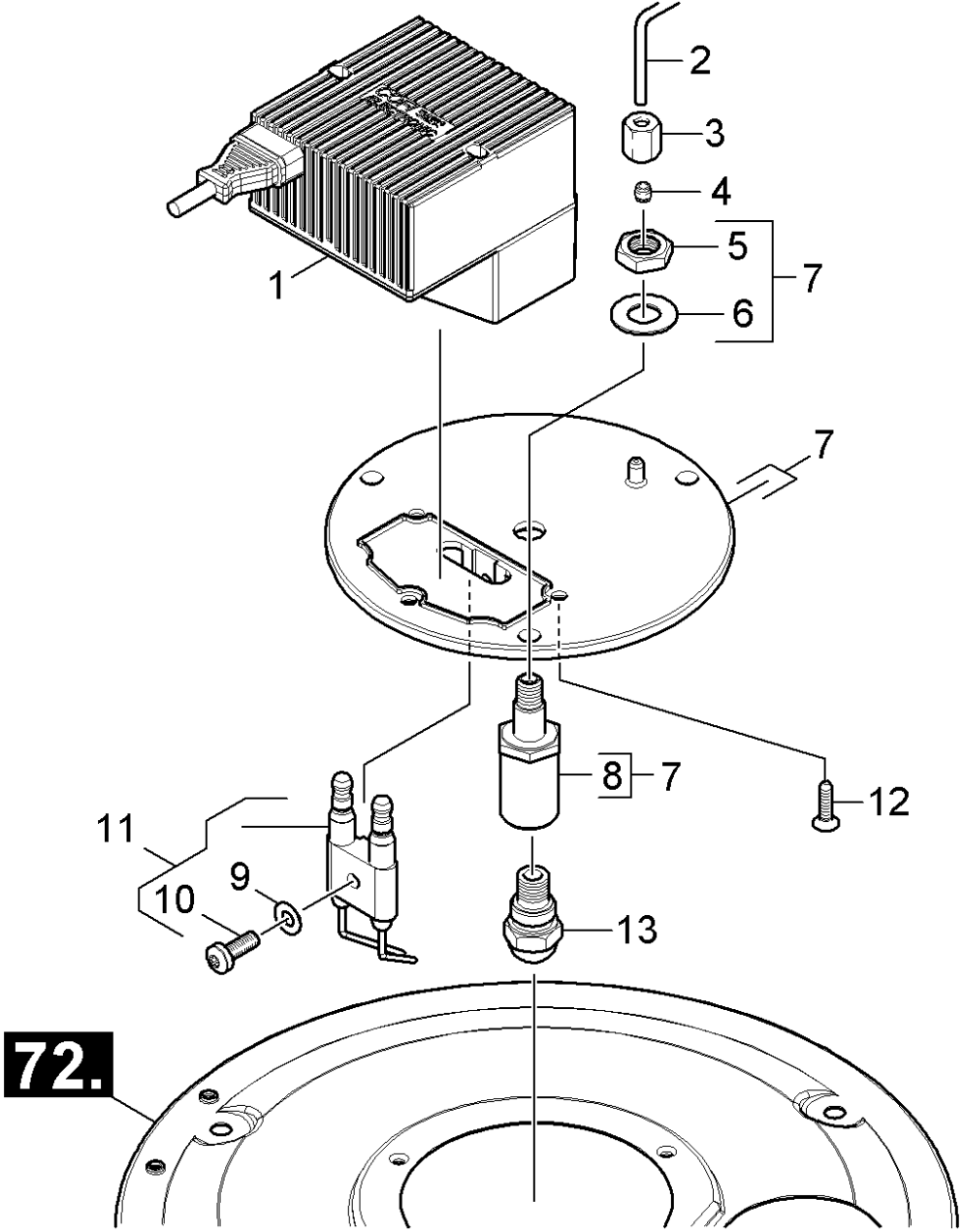
## 60 Electric control box

POS	Article no.	Description	Quantity	Unit
1	5.802-307.0	Holder cable	3.000	ST
2	5.801-004.0	Mounting plate	1.000	ST
3	4.686-029.0	Thermostat only for replacement	1.000	ST
4	6.641-222.0	Receptacles for tabs	4.000	ST
5	6.641-027.0	Cable 1x1,5mm <sup>2</sup> SW/BK	4.000	M
6	6.644-364.0	Terminal clamp four-core triple-pole	1.000	ST
7	4.649-061.0	Connection cable complete only for repla	1.000	ST
8	7.303-106.0	Screw 4x12 -10.9-R2R (IN6RD)	4.000	ST
9	6.641-270.0	Plug	1.000	ST
10	6.661-132.0	Capacitor 35MF	1.000	ST
11	6.646-748.0	Clamp for cable 0,08-2,5mm <sup>2</sup>	4.000	ST
12	6.632-281.0	Contactactor 230 V	1.000	ST
13	5.802-261.0	Mounting part	1.000	ST
14	6.644-593.0	Terminal clamp 4-adrig 5-polig	1.000	ST
15	5.802-317.0	Mounting part	1.000	ST

## 70 Flow heater

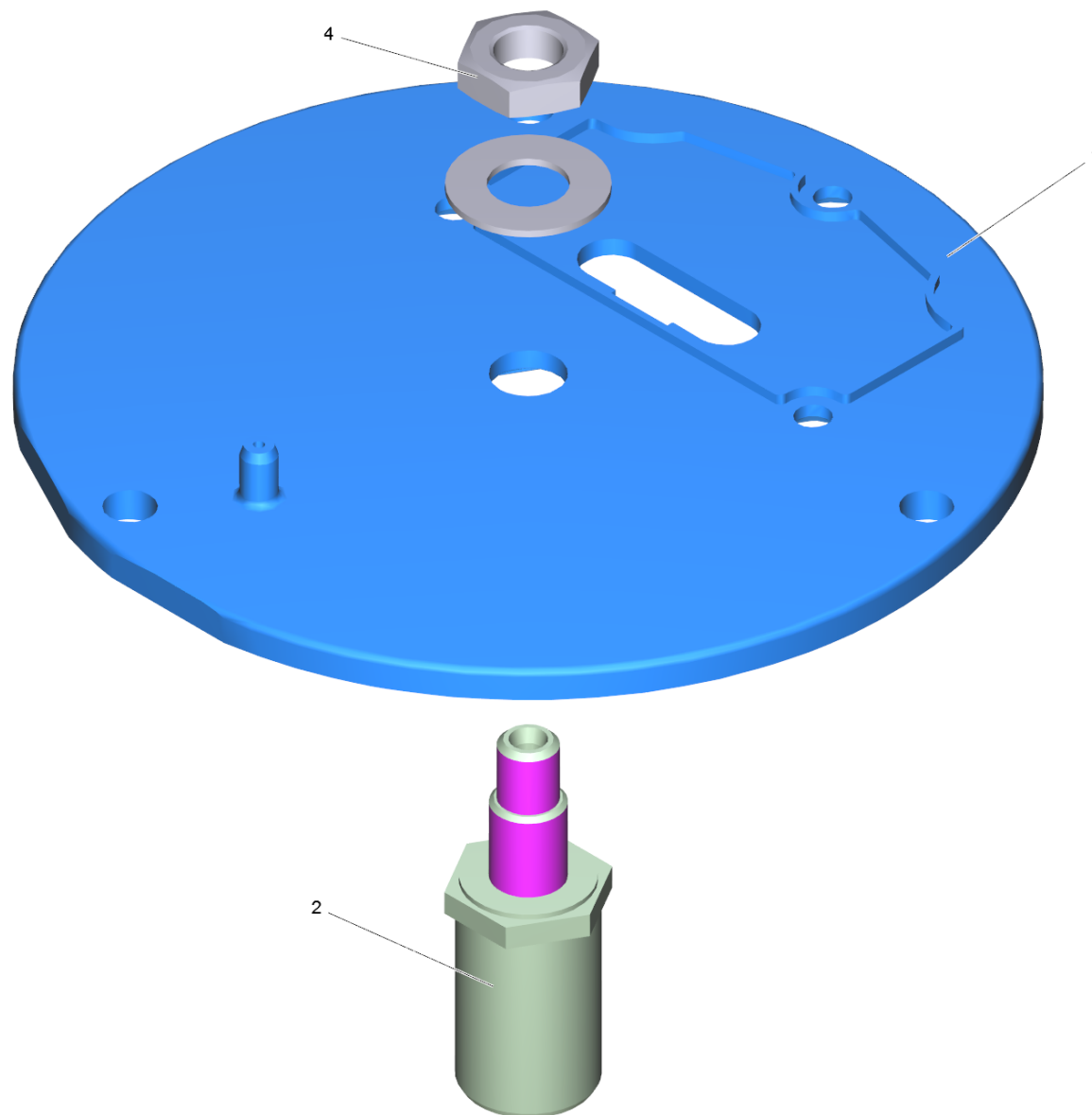
---

<b>POS</b>	<b>Description</b>	<b>Quantity</b>	<b>Unit</b>
71	Burner cover	1.000	ST
72	Outer covering and heating coil	1.000	ST



## 71 Burner cover

POS	Article no.	Description	Quantity	Unit
1	4.622-027.0	Ignition transformer only for replacemen	1.000	ST
2	5.423-417.0	Conduit fuel	1.000	ST
3	6.389-262.0	Union nut A 4-LL	1.000	ST
4	6.389-263.0	Cutting ring d.4	1.000	ST
5	7.311-101.0	Hexagon nut M10x1 -04-A2E ISO 8675	1.000	ST
6	7.312-302.0	Spring washer B10-FST-A2E DIN 137	1.000	ST
7	4.654-296.0	Cover pressure boiler only for replaceme	1.000	ST
8	5.667-055.0	Nozzle holder	1.000	ST
9	7.312-304.0	Spring washer B 5-FST-A2E DIN 137	1.000	ST
10	7.306-217.0	Screw M5x14 -8.8-R2R (In6Rd)	1.000	ST
11	2.638-974.0	Conversion kit ignition electrode	1.000	ST
12	7.303-125.0	Countersunk screw 4x16 -10.9-R2R (In6Rd)	3.000	ST
13	6.415-933.0	Burner nozzle	1.000	ST

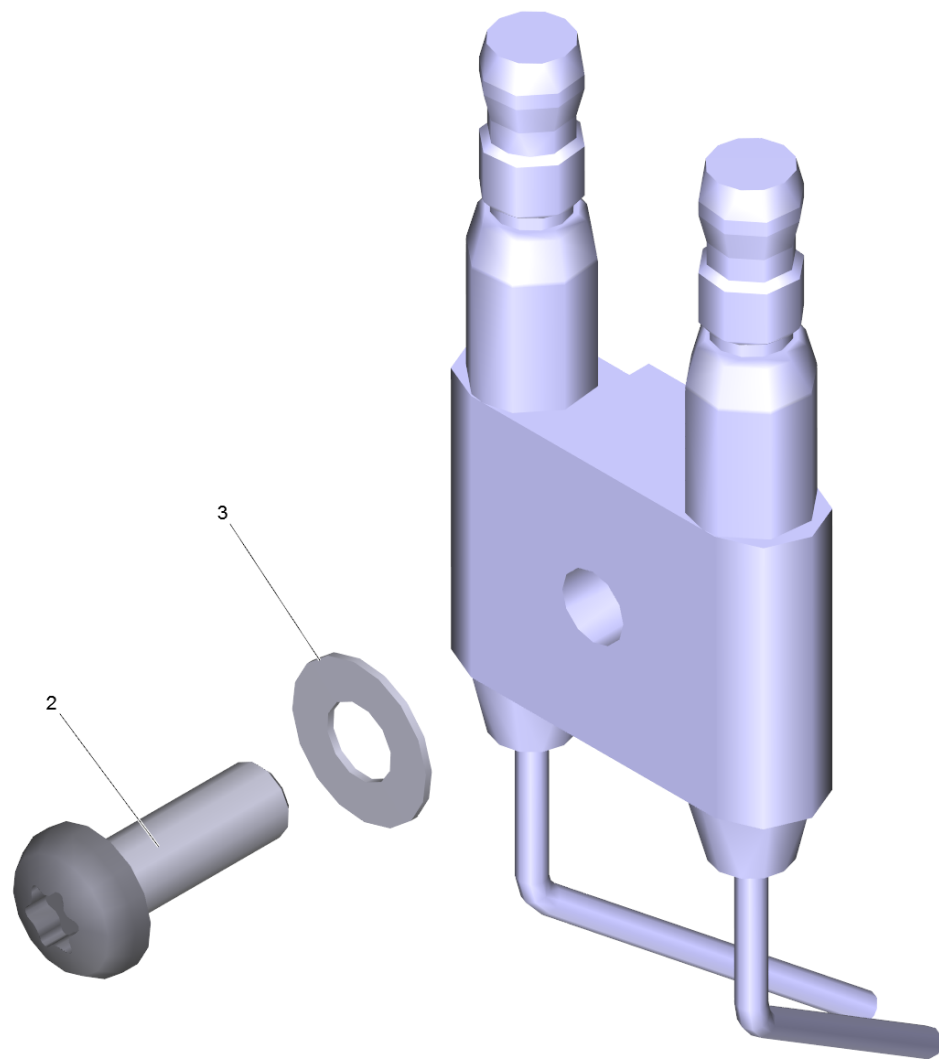


7 Cover pressure boiler only for replaceme (4.654-296.0)

---

<b>POS</b>	<b>Article no.</b>	<b>Description</b>	<b>Quantity</b>	<b>Unit</b>
1	5.662-023.0	Burner cover	1.000	ST
2	5.667-055.0	Nozzle holder	1.000	ST
4	7.311-101.0	Hexagon nut M10x1 -04-A2E ISO 8675	1.000	ST

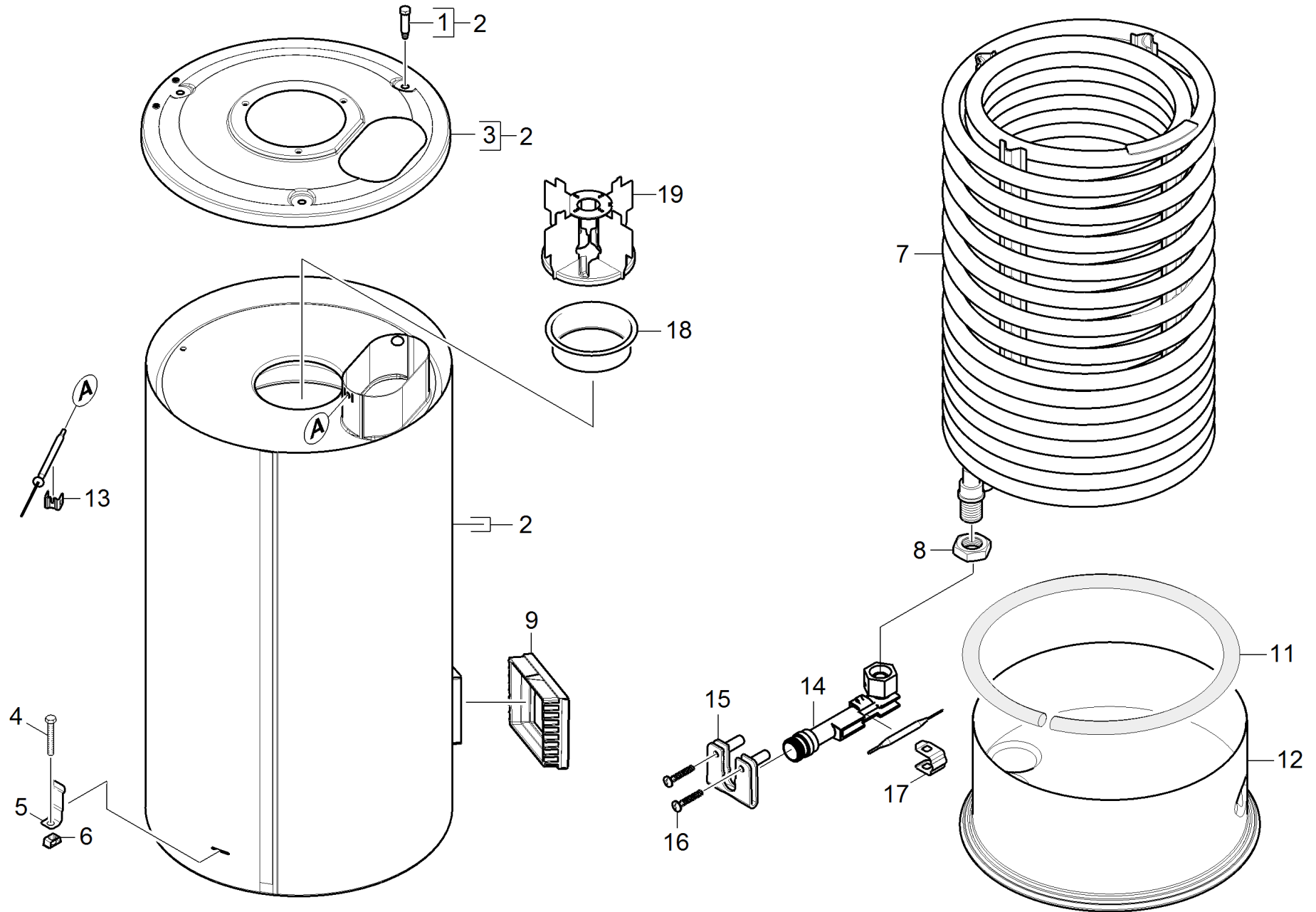




## 11 Conversion kit ignition electrode (2.638-974.0)

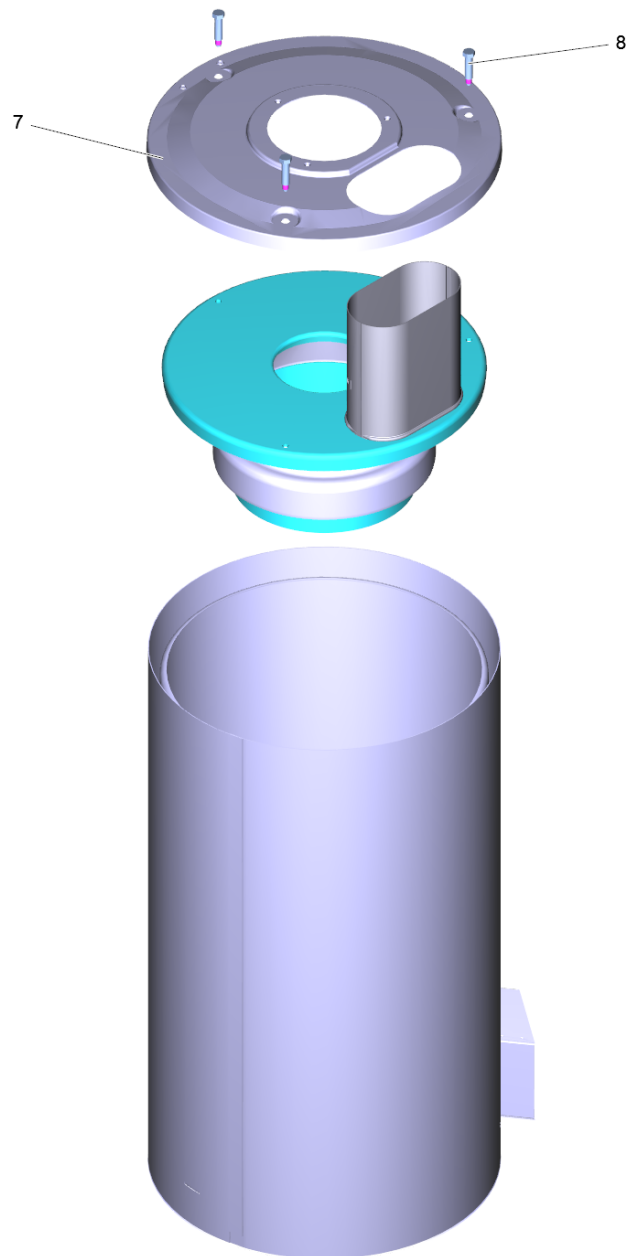
---

<b>POS</b>	<b>Article no.</b>	<b>Description</b>	<b>Quantity</b>	<b>Unit</b>
2	7.306-217.0	Screw M5x14 -8.8-R2R (In6Rd)	1.000	ST
3	7.312-304.0	Spring washer B 5-FST-A2E DIN 137	1.000	ST



## 72 Outer covering and heating coil

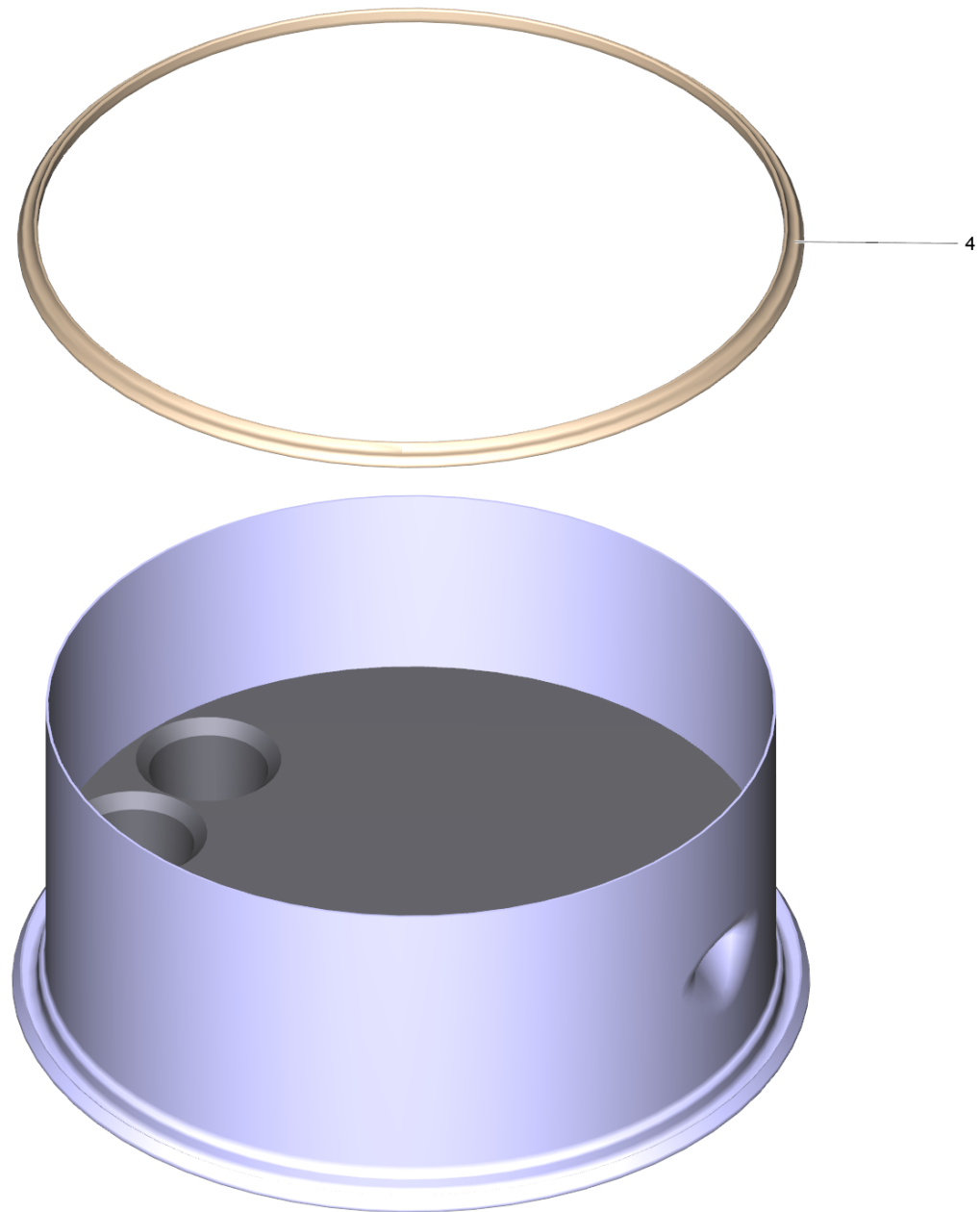
POS	Article no.	Description	Quantity	Unit	Foot note text
1	6.303-258.0	Self-tapping screw	3.000	ST	
2	4.652-150.0	Vessel mantel complete	1.000	ST	
3	5.654-051.0	Cover pressure boiler	1.000	ST	
4	7.304-051.0	Hexagonal head screw M 8x16-8.8-P2R EN	3.000	ST	
5	5.044-420.0	Holder	3.000	ST	
6	6.310-081.0	Cage nut M 8	3.000	ST	
7	4.680-130.0	Heating coil VA	1.000	ST	STAINLESS STEEL CONSTRUCTION
7	4.680-126.0	Heating coil	1.000	ST	
8	7.311-155.0	Hexagon nut M22x1,5 -Cu2 DIN 936	2.000	ST	
9	5.195-319.0	Seal air circulation	1.000	ST	
11	6.366-009.0	Seal string	1.000	ST	
12	4.655-044.0	Bottom pressure boiler	1.000	ST	
13	5.034-834.0	Holder probe	1.000	ST	
14	4.422-126.0	Manifold complete high-pressure outlet	1.000	ST	
15	5.043-076.0	Holder high-pressure outlet	1.000	ST	
16	7.303-086.0	Screw 5x30 -10.9-R2R (K-In6Rd)	2.000	ST	
17	5.263-064.0	Tensioning part	1.000	ST	
18	5.664-231.0	Flame tube	1.000	ST	
19	4.663-141.0	Baffle plate complete	1.000	ST	



2 Vessel mantel complete (4.652-150.0)

---

<b>POS</b>	<b>Article no.</b>	<b>Description</b>	<b>Quantity</b>	<b>Unit</b>
7	5.654-051.0	Cover pressure boiler	1.000	ST
8	6.303-258.0	Self-tapping screw	3.000	ST

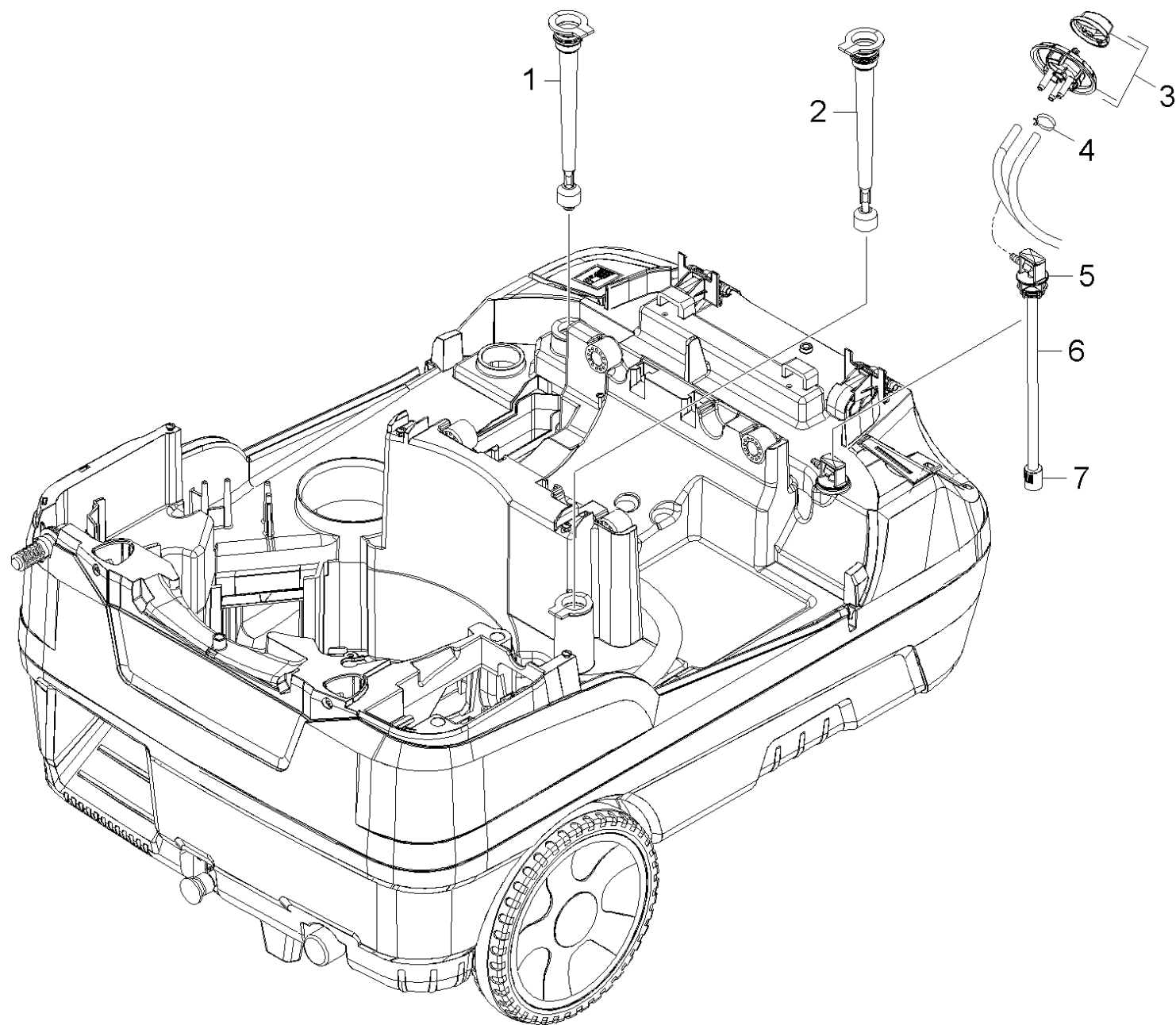


12 Bottom pressure boiler (4.655-044.0)

---

<b>POS</b>	<b>Article no.</b>	<b>Description</b>	<b>Quantity</b>	<b>Unit</b>
4	6.366-009.0	Seal string	1.000	ST
6	6.869-024.0	Quick-bonding agent	0.004	ZST

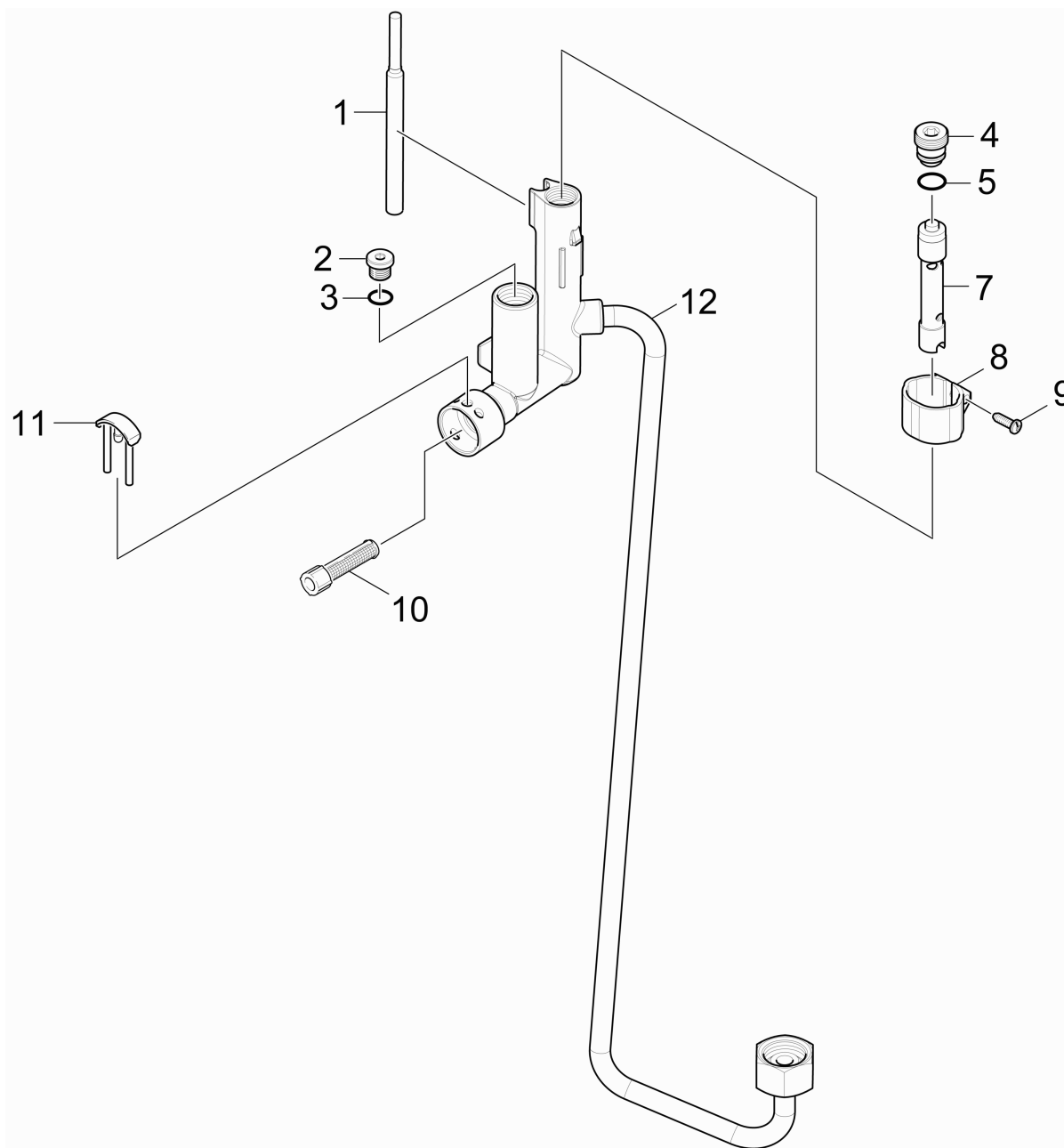




## 80 Level probe

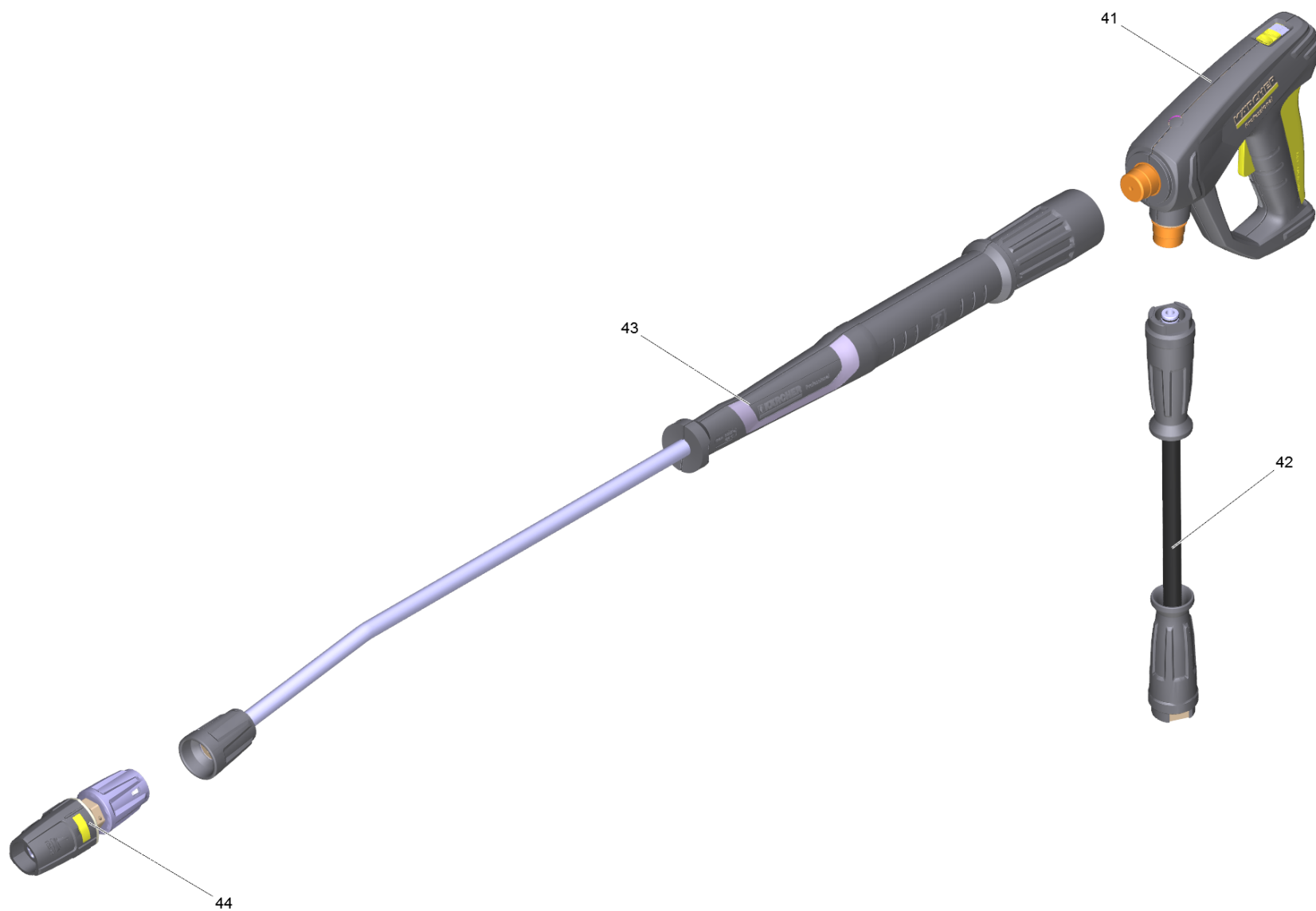
---

<b>POS</b>	<b>Article no.</b>	<b>Description</b>	<b>Quantity</b>	<b>Unit</b>
1	4.747-113.0	Level probe fuel only for replacement	1.000	ST
2	4.747-112.0	Level probe cleaning agents only for rep	1.000	ST
3	4.063-888.0	Proportioning valve chemistry	1.000	ST
4	6.388-559.0	Hose clip	2.000	ST
5	5.132-195.0	Plug aspiration chemistry	1.000	ST
6	6.391-341.0	Hose chemistry DN 6	1.000	M
7	5.731-638.0	Filter with weight	1.000	ST



## 90 Safety system

POS	Article no.	Description	Quantity	Unit
1	2.885-252.0	Reed switch replacement	1.000	ST
2	5.411-536.0	Screw plug M10x1	1.000	ST
3	2.640-729.0	O-Ring seal set	1.000	ST
4	5.305-162.0	Shaped screw	1.000	ST
5	6.362-482.0	O-Ring seal 10 x 1,5-NBR 70	1.000	ST
7	4.551-058.0	Cartridge protection against water short	1.000	ST
8	5.041-076.0	Clamp	1.000	ST
9	6.303-122.0	M4 .2X13 DIN 7981 TORX T15 PAN HD HI/LO	1.000	ST
10	6.414-566.0	Strainer WMS	1.000	ST
11	4.037-013.0	Hook	1.000	ST
12	4.427-354.0	Manifold complete	1.000	ST



## 100 Accessories

---

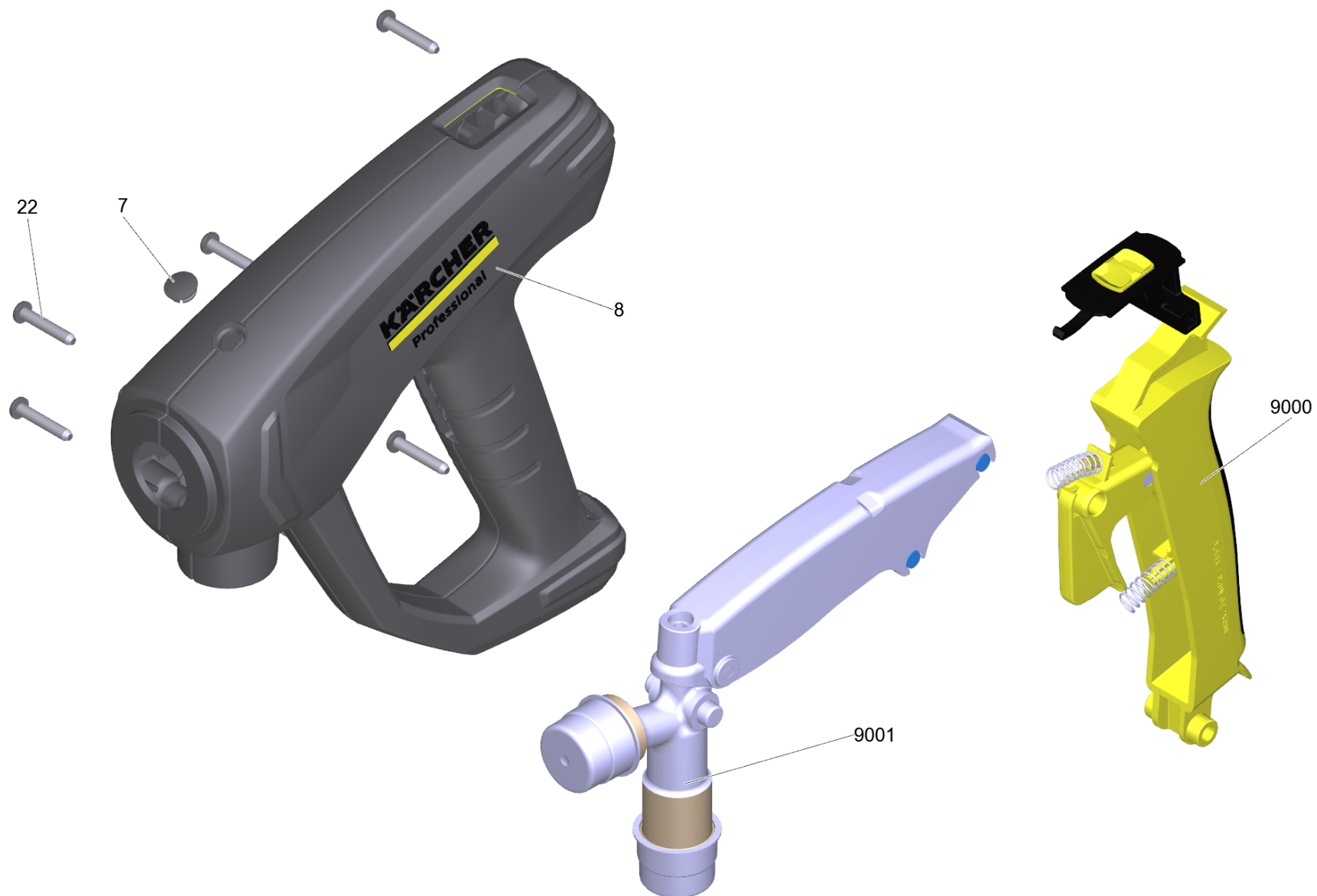
<b>POS</b>	<b>Article no.</b>	<b>Description</b>	<b>Quantity</b>	<b>Unit</b>
41	4.118-005.0	EASY!Force Advanced	1.000	ST
42	6.110-035.0	Hose assembly TR rotatable DN6 25MPa 10m	1.000	ST
43	4.112-006.0	Jet pipe TR 840 mm	1.000	ST
44	4.117-029.0	Triple jet nozzle TR 034	1.000	ST

41 EASY!Force Advanced (4.118-005.0)

---

<b>POS</b>	<b>Description</b>	<b>Quantity</b>	<b>Unit</b>
1	Hand trigger gun TR EH 155	1.000	ST

---

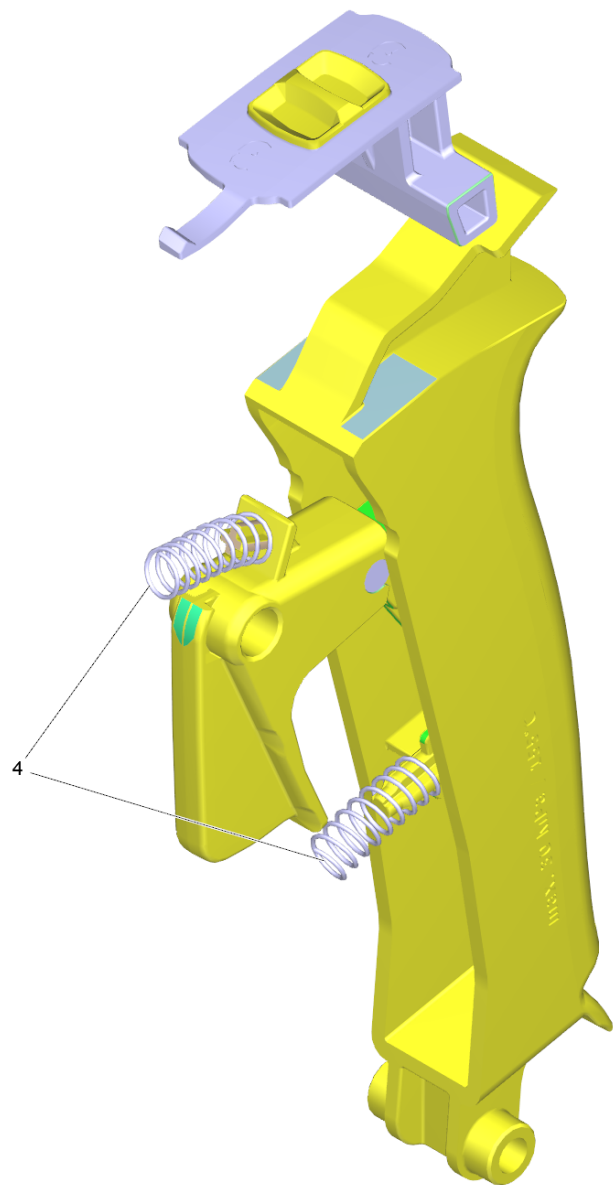




## 1 Hand trigger gun TR EH 155

---

<b>POS</b>	<b>Article no.</b>	<b>Description</b>	<b>Quantity</b>	<b>Unit</b>
7	5.132-001.0	Plug	1.000	ST
8	5.321-136.3	Handhold few EH 155 only for replacement	1.000	ST
22	7.303-096.0	Screw 4x22 -ST-10.9-R2R (IN6RD)	7.000	ST
9000	2.885-483.0	Spare part set lever	1.000	ST
9001	4.427-014.0	Manifold TR EH 155 nur fuer Ersatz	1.000	ST



9000 Spare part set lever (2.885-483.0)

---

<b>POS</b>	<b>Article no.</b>	<b>Description</b>	<b>Quantity</b>	<b>Unit</b>
4	5.332-032.0	Helical spring	2.000	ST

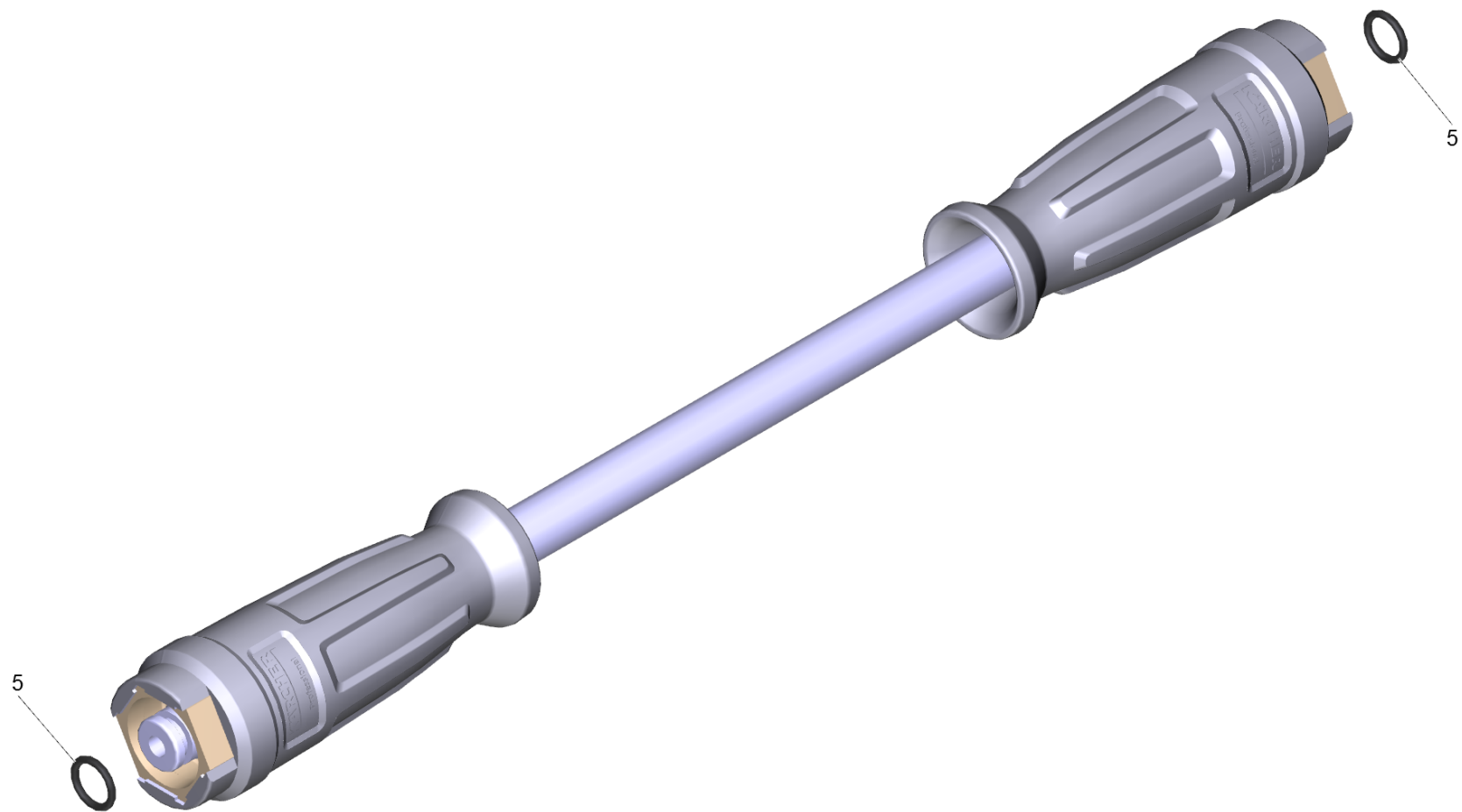
---

42 Hose assembly TR rotatable DN6 25MPa 10m (6.110-035.0)

---

<b>POS</b>	<b>Description</b>	<b>Quantity</b>	<b>Unit</b>
1	Hose assembly TR rotatable DN6 25MPa 10m	1.000	ST

---



1 Hose assembly TR rotatable DN6 25MPa 10m

---

<b>POS</b>	<b>Article no.</b>	<b>Description</b>	<b>Quantity</b>	<b>Unit</b>
5	2.880-154.0	O-Ring kit	1.000	ST

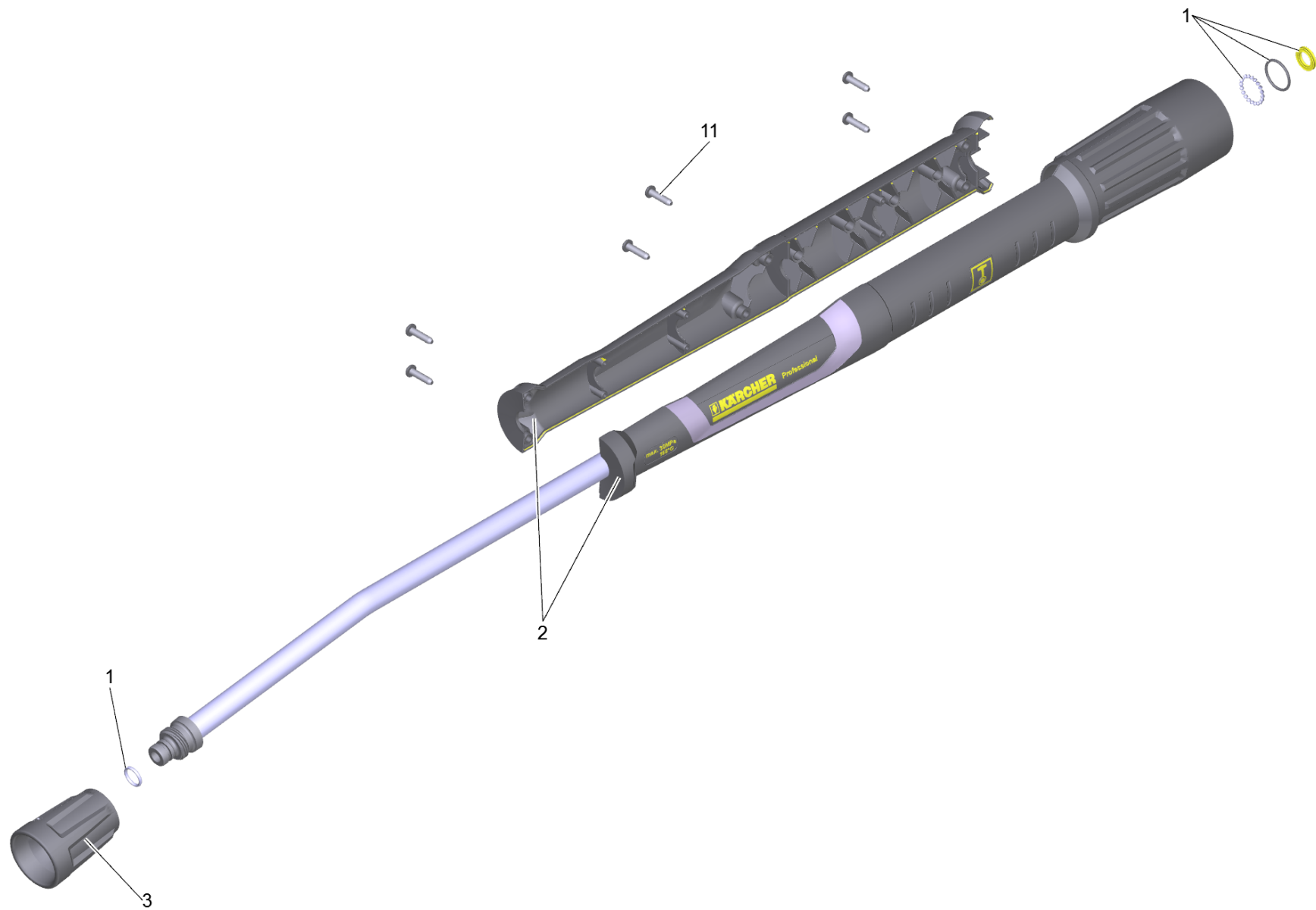
---

43 Jet pipe TR 840 mm (4.112-006.0)

---

POS	Description	Quantity	Unit
1	Jet pipe TR 840 mm	1.000	ST

---





1 Jet pipe TR 840 mm

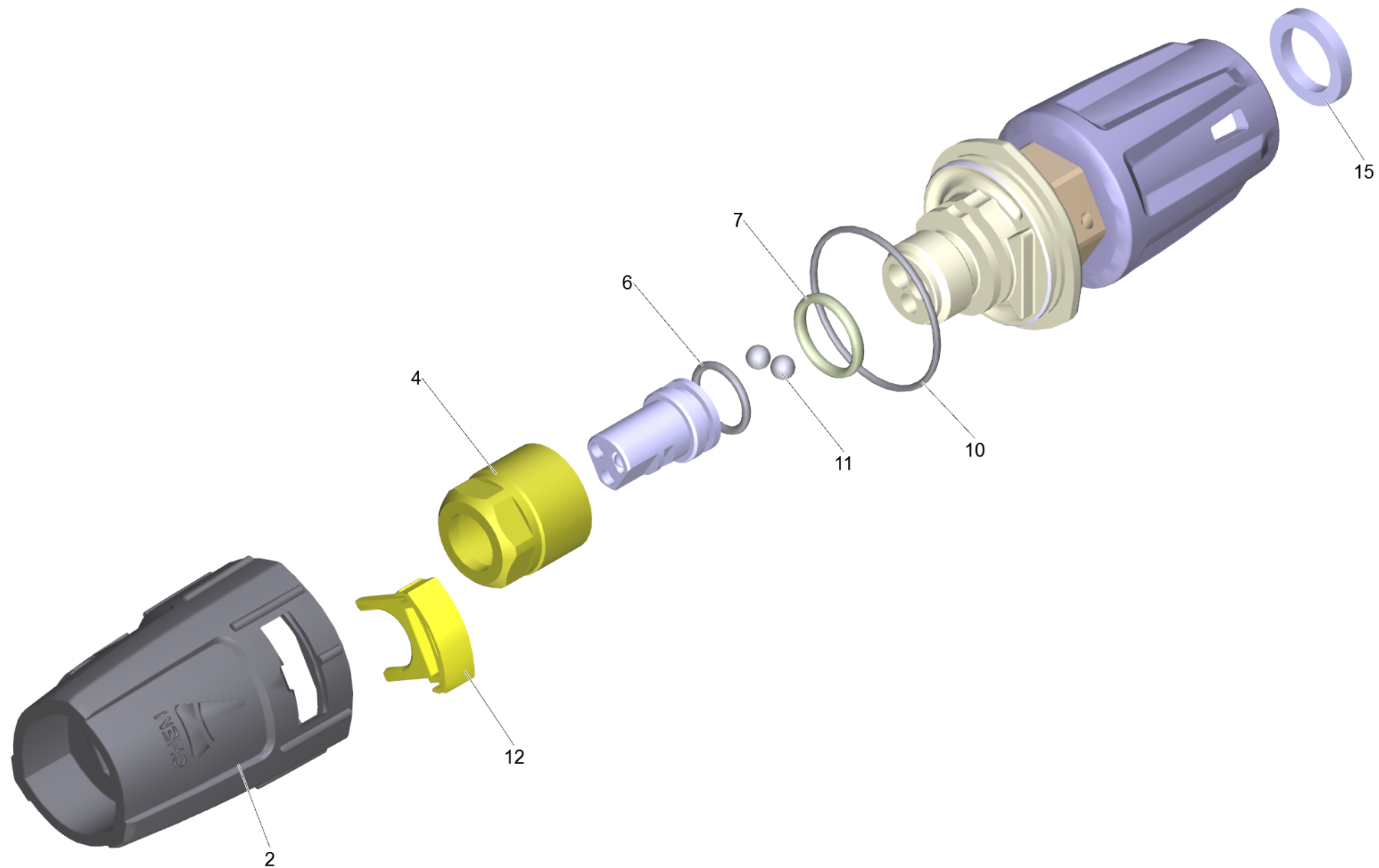
---

POS	Article no.	Description	Quantity	Unit
1	4.100-688.0	Spare part set seal TR	1.000	ST
2	5.321-018.3	Handle bowl jet pipe only for replacemen	1.000	ST
3	4.112-011.0	Protection part TR only for replacement	1.000	ST
11	7.303-129.0	Screw 4x16 -10.9-R2R (K-In6Rd)	6.000	ST

44 Triple jet nozzle TR 034 (4.117-029.0)

---

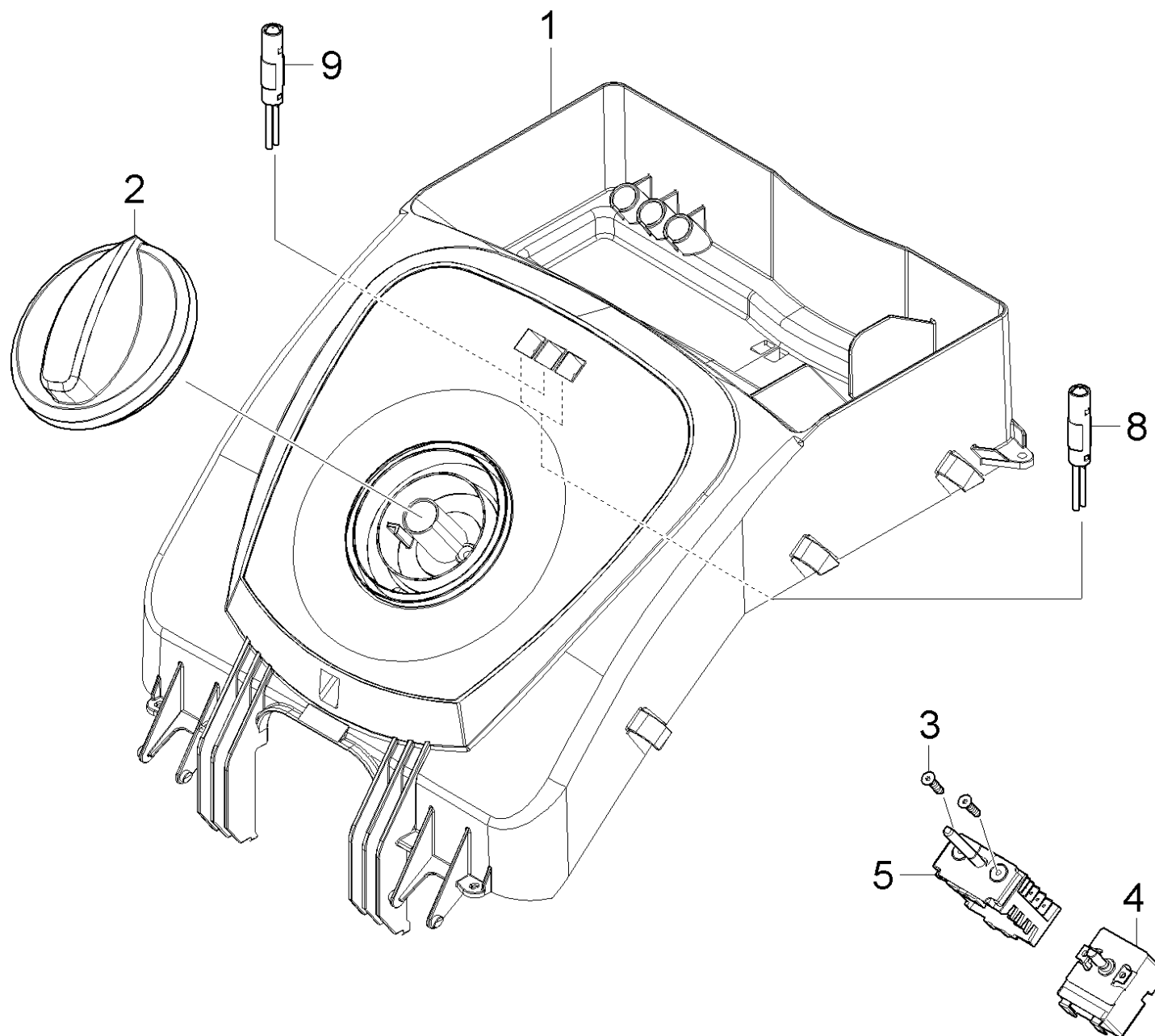
POS	Description	Quantity	Unit
1	Triple jet nozzle TR 034	1.000	ST



## 1 Triple jet nozzle TR 034

---

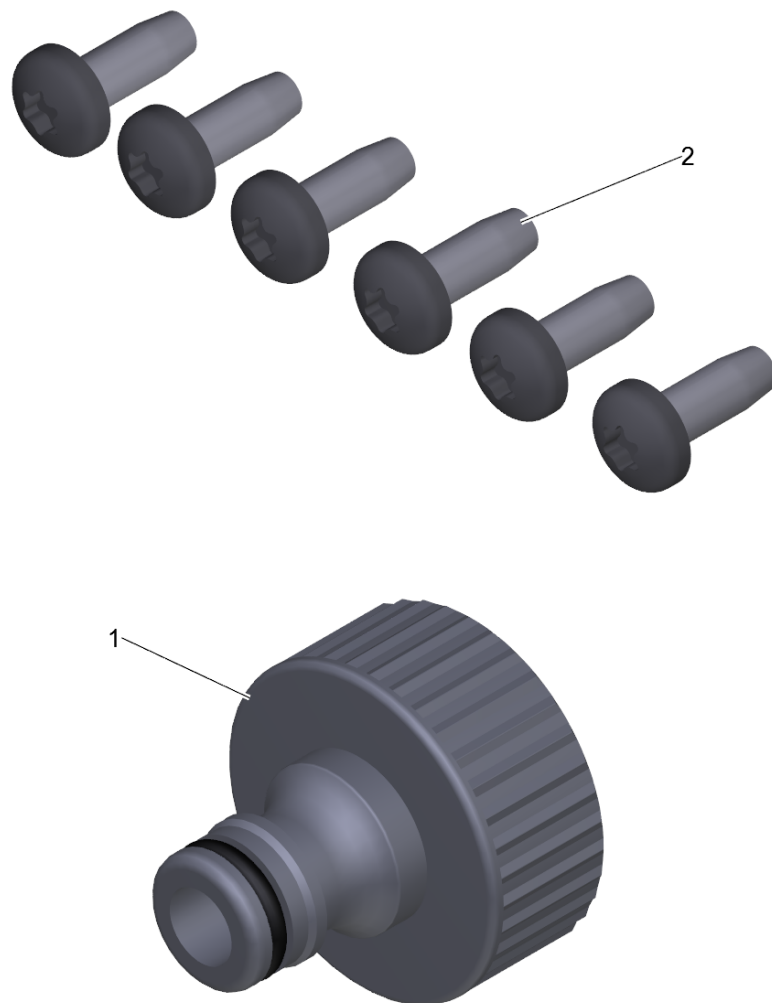
<b>POS</b>	<b>Article no.</b>	<b>Description</b>	<b>Quantity</b>	<b>Unit</b>
2	5.394-859.0	Protection part	1.000	ST
4	5.311-225.0	Nut	1.000	ST
6	6.362-480.0	O-Ring seal 12,42x 1,78	1.000	ST
7	6.362-460.0	O-Ring seal 14,0 X 2,5-NBR 70	1.000	ST
10	6.362-409.0	O-Ring seal 32,0 X 1,5	1.000	ST
11	7.401-902.0	Sphere 5 G20 -1.4034 DIN 5401	2.000	ST
12	5.321-884.0	Clamp	1.000	ST
15	6.363-696.0	Brake ring 14x20x3	1.000	ST



## 110 Control panel

---

<b>POS</b>	<b>Article no.</b>	<b>Description</b>	<b>Quantity</b>	<b>Unit</b>
1	4.841-377.0	Control panel complete only for replacem	1.000	ST
2	5.324-146.0	Handle	1.000	ST
3	7.305-019.0	Countersunk screw M4x16 -8.8-R2R (In6Rd	2.000	ST
4	4.686-021.0	Thermostat complete only for replacement	1.000	ST
5	4.630-003.0	Rotary switch only for replacement	1.000	ST
8	6.651-675.0	Pilot lamp 230 V; rot	2.000	ST
9	6.651-676.0	Pilot lamp 230 V; gruen	1.000	ST



## 120 Set mounting parts

---

<b>POS</b>	<b>Article no.</b>	<b>Description</b>	<b>Quantity</b>	<b>Unit</b>
1	6.645-216.0	Tap adaptor complete G1"	1.000	ST
2	7.303-047.0	Screw M6x16 -St-R3R (In6Rd)	6.000	ST



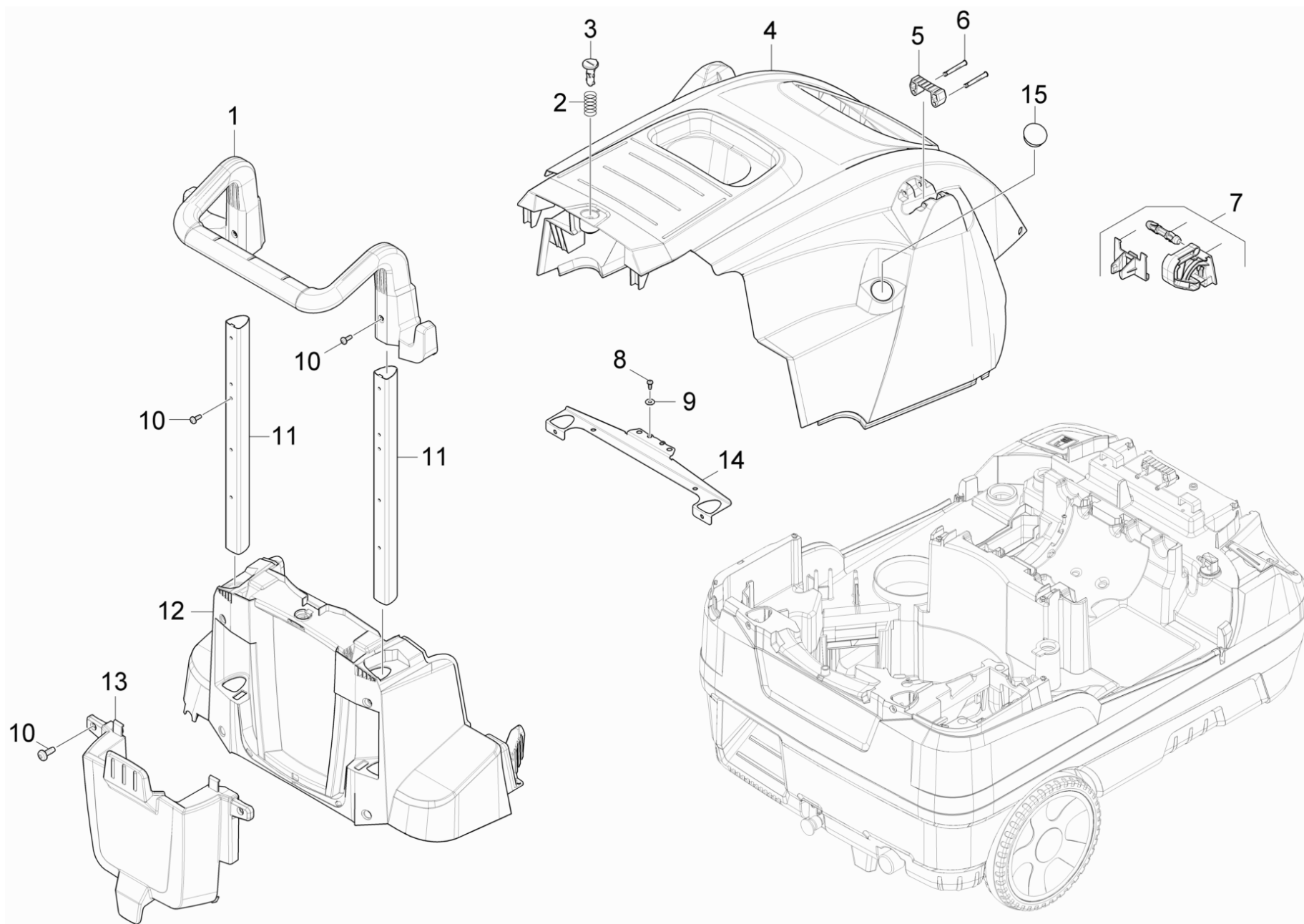
## Spare parts list HDS 5/12-C (5.974-079.0)

POS	Description	Quantity	Unit
10	Housing	1.000	ST
20	Pump set	1.000	ST
30	Motor	1.000	ST
40	Blower	1.000	ST
50	Fuel pump and filter	1.000	ST
60	Electric control box	1.000	ST
70	Flow heater	1.000	ST
80	Level probe	1.000	ST
90	Safety system	1.000	ST
100	Accessories	1.000	ST
110	Control panel	1.000	ST
120	Set mounting parts	1.000	ST

## 10 Housing

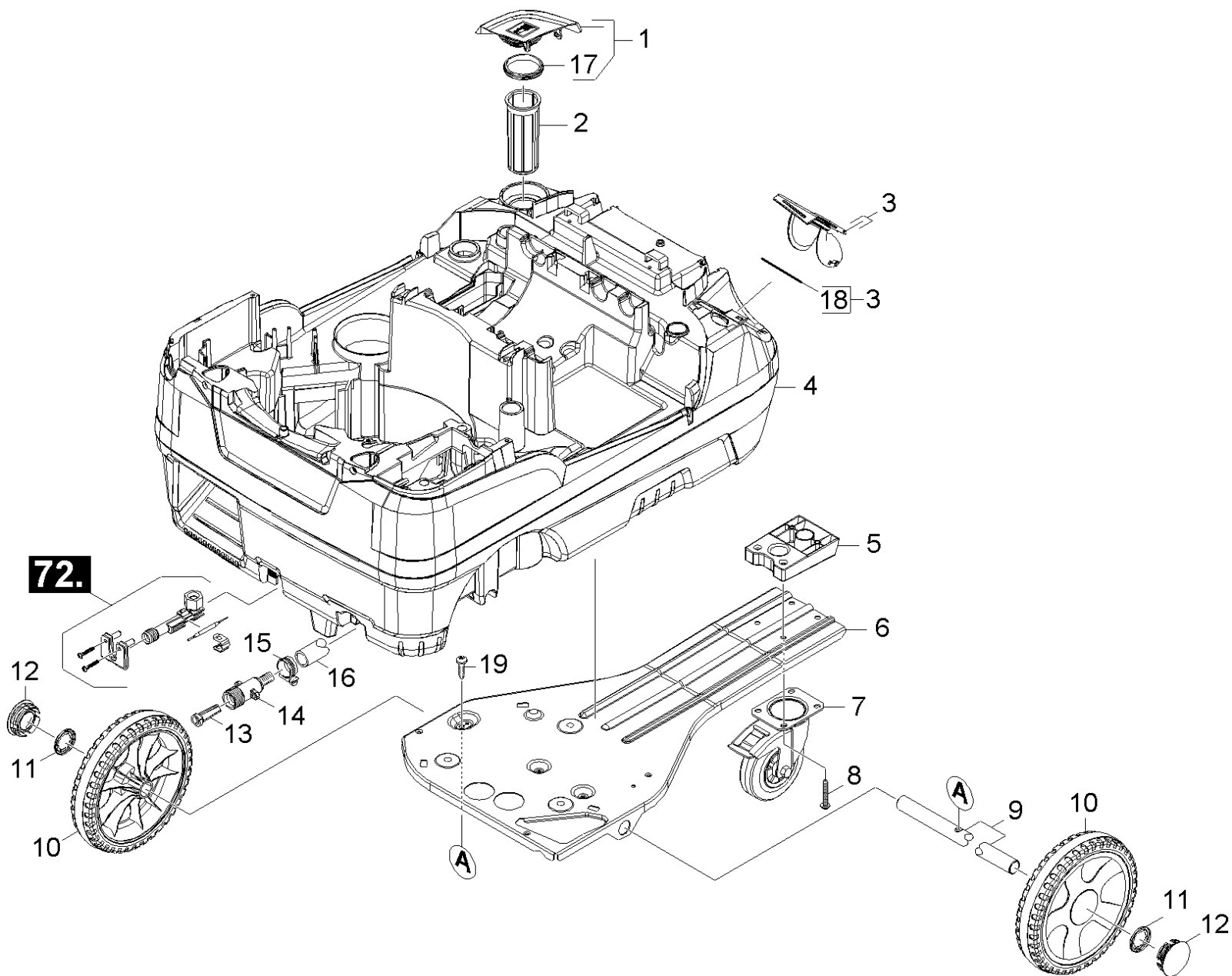
---

<b>POS</b>	<b>Description</b>	<b>Quantity</b>	<b>Unit</b>
21	Housing top part	1.000	ST
22	Housing bottom part	1.000	ST



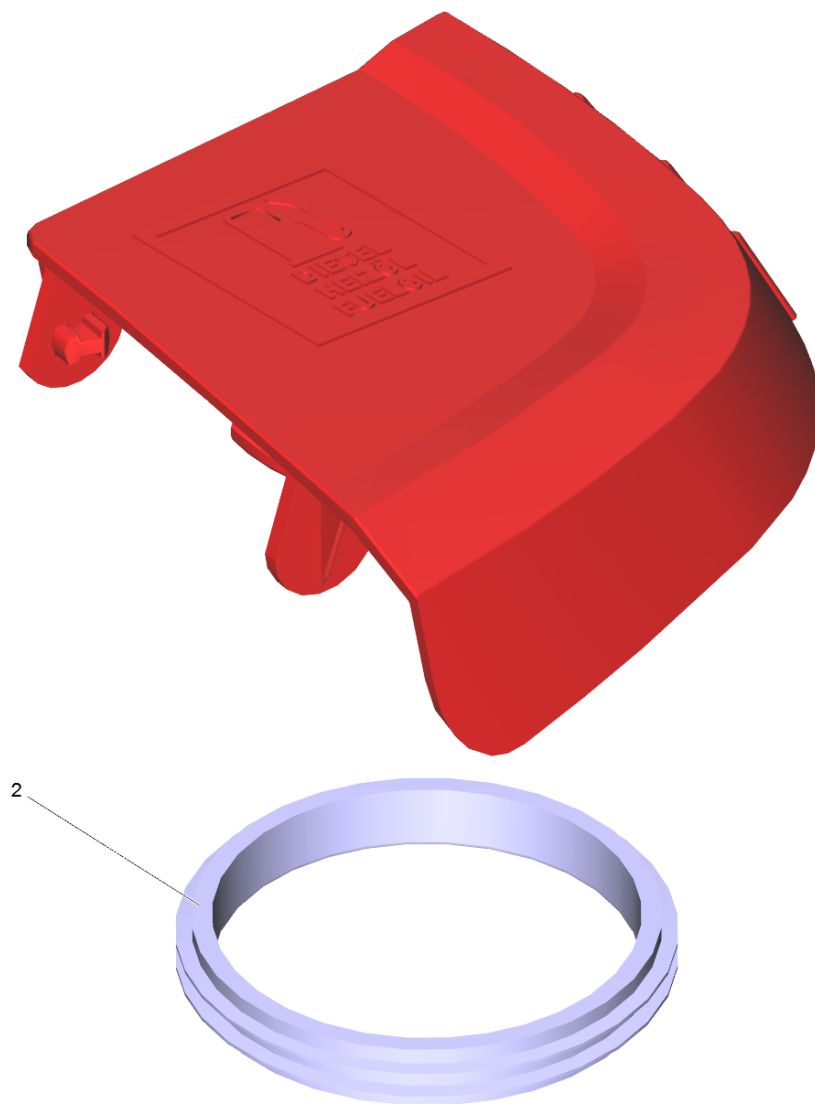
## 21 Housing top part

POS	Article no.	Description	Quantity	Unit	Foot note text
1	5.321-996.0	Sliding handle	1.000	ST	
2	5.332-236.0	Helical spring	1.000	ST	
3	5.317-765.0	Bolt closure cover	1.000	ST	
4	5.069-386.0	Device cover Grau HDS-C Neu	1.000	ST	
5	5.424-162.0	Fixing jet pipe	1.000	ST	
6	5.314-143.0	Pin fixing jet pipe	2.000	ST	
7	2.885-272.0	Spare part set hinge cover	1.000	ST	SET OF 2 PIECES
8	7.303-038.0	Screw M5x12 -St-P2R (In6Rd)	2.000	ST	
9	7.312-278.0	Washer 5-200HV-A2E ISO7093-1	2.000	ST	
10	7.303-047.0	Screw M6x16 -St-R3R (In6Rd)	6.000	ST	
11	5.107-295.0	Bar handhold	2.000	ST	
12	5.050-999.0	Moulded part rear panel	1.000	ST	
13	5.033-725.0	Tool bag	1.000	ST	
14	5.762-420.0	Bracket plate	1.000	ST	
15	6.368-324.0	Drain plug	1.000	ST	
	<b>Item text1:</b> 1.272-214.0				



## 22 Housing bottom part

POS	Article no.	Description	Quantity	Unit	Foot note text
1	4.064-021.0	Cover fuel complete	1.000	ST	
2	5.731-039.0	Filter	1.000	ST	
3	4.064-029.0	Cover complete only for replacement	1.000	ST	
4	4.051-201.0	Base frame complete only for replacement	1.000	ST	
5	5.424-159.0	Fixing castor	1.000	ST	
6	5.051-199.0	Base plate	1.000	ST	
7	6.435-826.0	Castor D 125	1.000	ST	
8	7.303-275.0	Screw 8x50 -10.9-A3E (In6Rd)	4.000	ST	
9	5.105-651.0	Axle	1.000	ST	
10	4.515-343.0	Wheel complete	2.000	ST	
11	6.343-162.0	Lock washer -25	2.000	ST	
12	2.889-086.0	Set wheel cap	2.000	ST	
13	6.414-141.0	Strainer	1.000	ST	
14	5.427-432.0	Manifold	1.000	ST	
15	7.373-022.0	Hose clip A-16-27x9 -W2-2 DIN3017	1.000	ST	
16	6.388-719.0	Hose DN17	1.000	M	TO ORDER AS CUT GOODS
17	5.363-300.0	Joint ring	1.000	ST	
18	6.363-564.0	O-Ring seal 65x4 NBR	1.000	ST	
19	7.303-067.0	Screw M8x16-ST-R3R (IN6RD)	1.000	ST	



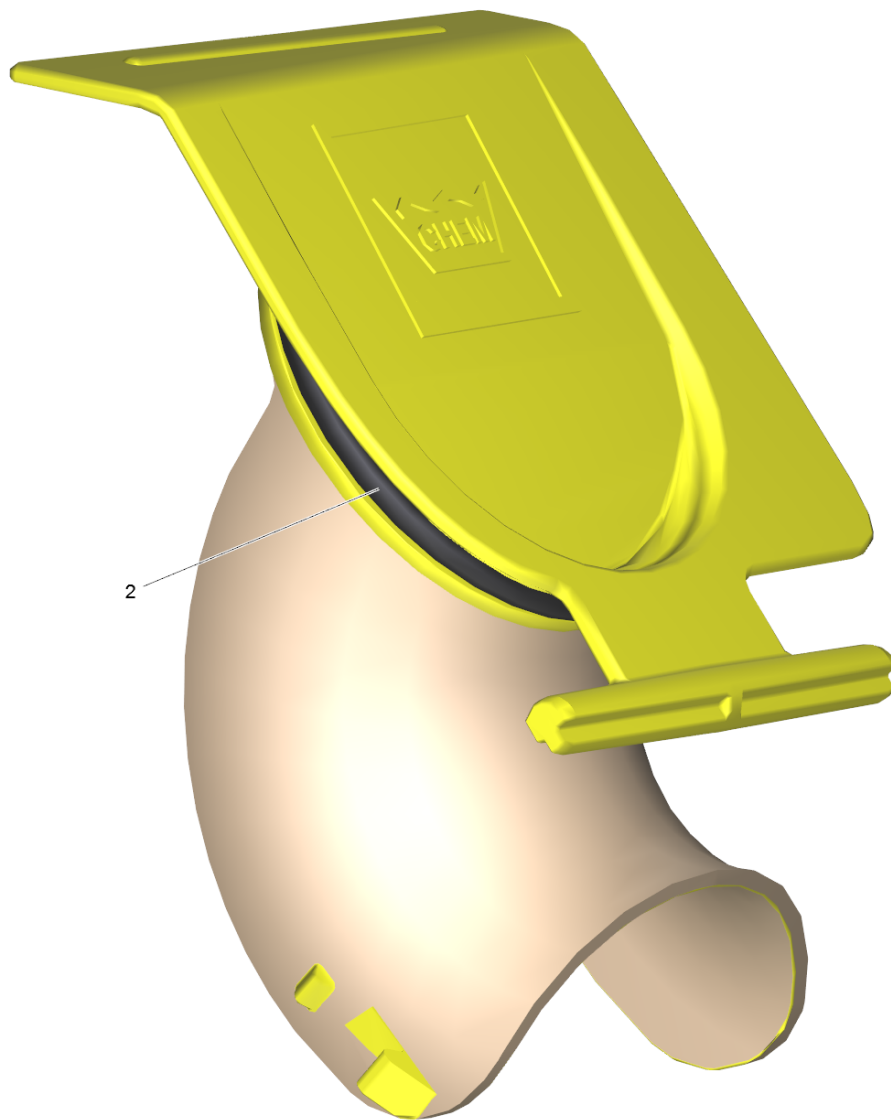
1 Cover fuel complete (4.064-021.0)

---

<b>POS</b>	<b>Article no.</b>	<b>Description</b>	<b>Quantity</b>	<b>Unit</b>
2	5.363-300.0	Joint ring	1.000	ST

---





3 Cover complete only for replacement (4.064-029.0)

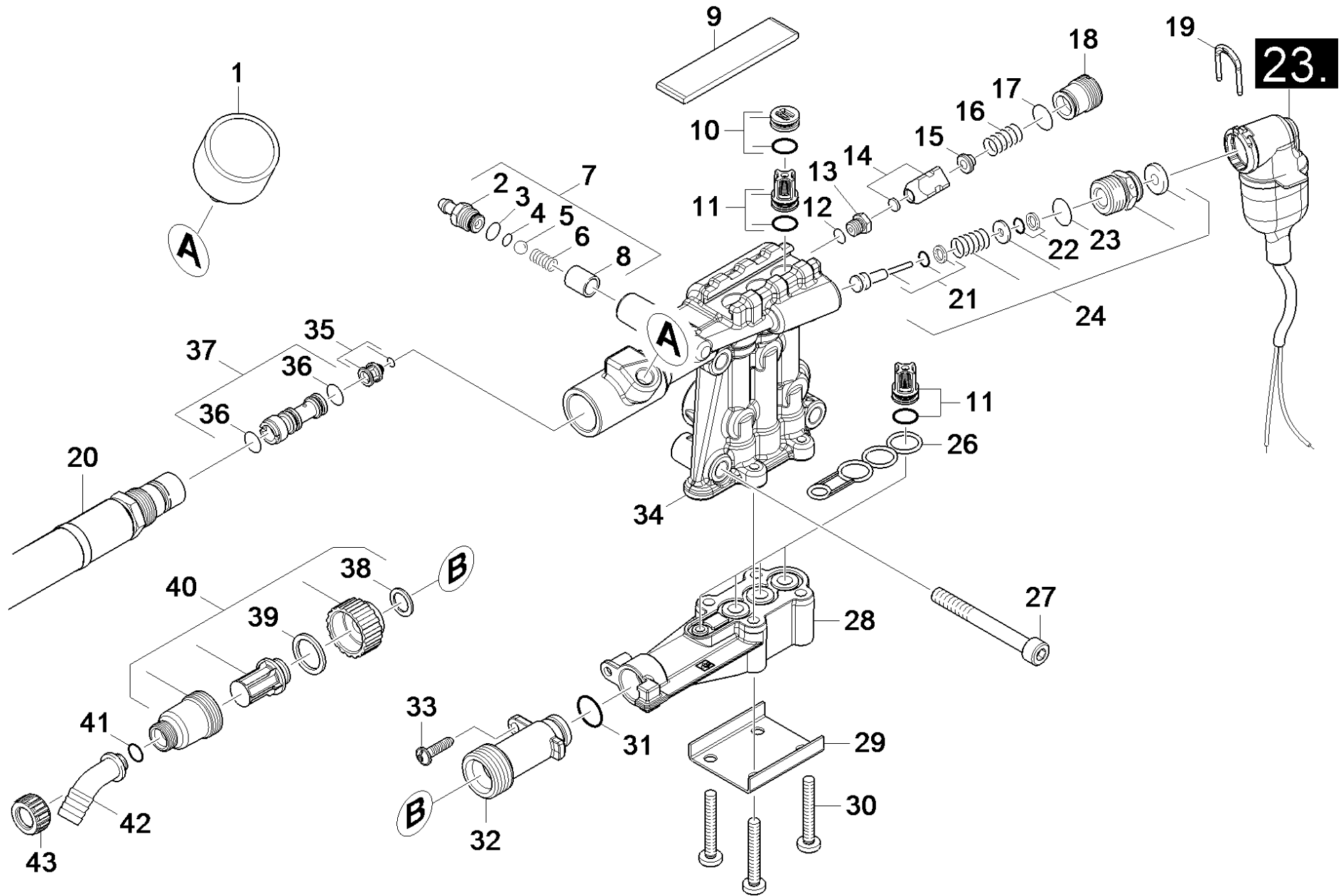
---

<b>POS</b>	<b>Article no.</b>	<b>Description</b>	<b>Quantity</b>	<b>Unit</b>
2	6.363-564.0	O-Ring seal 65x4 NBR	1.000	ST

## 20 Pump set

---

<b>POS</b>	<b>Description</b>	<b>Quantity</b>	<b>Unit</b>
21	Cylinder head	1.000	ST
22	Piston	1.000	ST
23	Switch	1.000	ST



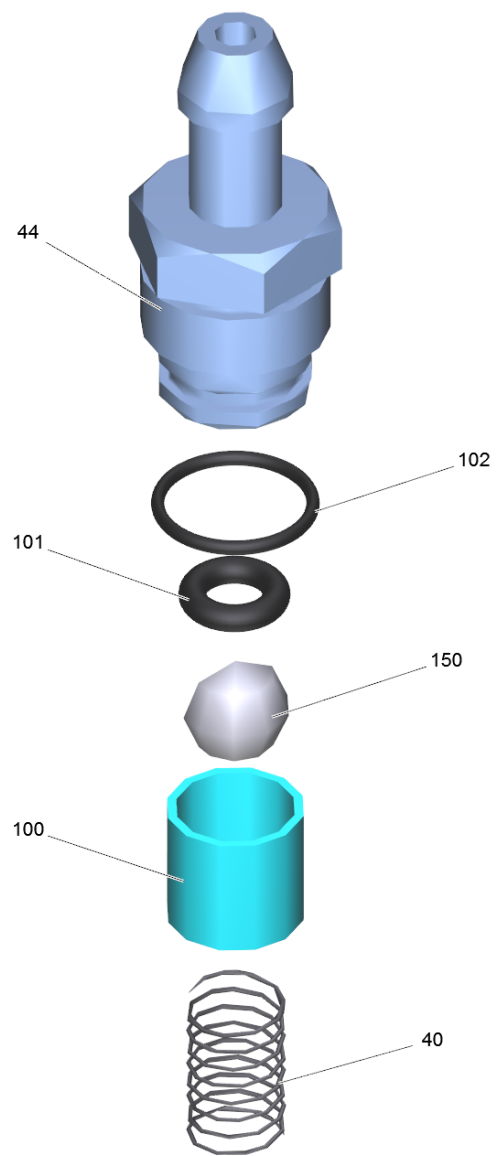
## 21 Cylinder head

POS	Article no.	Description	Quantity	Unit	Foot note text
1	4.422-991.0	Pressure gauge complete only for replace	1.000	ST	
	<b>Item text1:</b> 1.272-210.0 /-211.0				
2	5.443-448.0	Nipple chemistry	1.000	ST	
3	6.362-451.0	O-Ring seal 8,0 x 1,0	1.000	ST	
4	6.363-597.0	O-Ring seal 5,28 x 1,78	1.000	ST	
5	7.401-908.0	Sphere 7 G300 -1.4301 DIN 5401	1.000	ST	
6	5.332-258.0	Helical spring	1.000	ST	
7	2.883-862.0	Spare part set chemistry	1.000	ST	
8	5.110-714.0	Sleeve	1.000	ST	
9	5.003-062.0	Plate	1.000	ST	
10	4.132-007.0	Drain plug only for replacement	3.000	ST	
11	2.884-916.0	Valve (3 Stück)	2.000	ST	SET CONSITSTS OF 3X VALVE
12	6.362-703.0	O-Ring seal 6,0x1,5-NBR 70	1.000	ST	
13	5.581-231.0	Valve seat	1.000	ST	
14	4.582-019.0	Valve disc complete	1.000	ST	
15	5.584-060.0	Valve pin	1.000	ST	
16	5.332-414.0	Helical spring	1.000	ST	
17	6.362-169.0	O-Ring seal 12,0 X 2,0	1.000	ST	
18	5.583-096.0	Valve screw	1.000	ST	
19	5.034-494.0	Retaining bracket	1.000	ST	
20	6.391-859.0	High pressure hose DN 13	1.000	ST	
21	4.553-204.0	Piston complete only for replacement	1.000	ST	
22	6.363-074.0	O-Ring seal complete	1.000	ST	
23	6.362-528.0	O-Ring seal 9,5 X 2,0	1.000	ST	
24	2.884-165.0	Spare part set control piston	1.000	ST	
26	5.365-284.0	Profile gasket	1.000	ST	
27	7.306-106.0	Cylinder head screw M8x70 -8.8-A2E ISO4	4.000	ST	
28	5.064-230.0	Suction cover	1.000	ST	
29	5.005-314.0	Plate suction cover	1.000	ST	
30	7.306-129.0	Screw M6x40 -8.8-R3R (In6Rd)	4.000	ST	
31	6.362-481.0	O-Ring seal 14,0 x 2,0 NBR 80	1.000	ST	
32	5.402-727.0	Suction nipple	1.000	ST	
33	7.303-108.0	Screw 5x20 -10.9-R2R (In6Rd)	1.000	ST	

## 21 Cylinder head

---

POS	Article no.	Description	Quantity	Unit	Foot note text
34	4.550-999.0	Cylinder head complete only for replacem	1.000	ST	
35	4.584-022.0	Valve pin complete	1.000	ST	
36	6.362-384.0	O-Ring seal 9x1,5 - NBR 70	2.000	ST	
37	4.769-032.0	Nozzle insert	1.000	ST	
38	5.363-545.0	Seal	1.000	ST	
39	5.363-336.0	Seal	1.000	ST	
40	4.730-141.0	Filter complete	1.000	ST	
41	6.362-078.0	O-Ring seal 13,3x2,4	1.000	ST	
42	5.443-285.0	Hose stem	1.000	ST	
43	5.310-167.0	Nut G 3/4"	1.000	ST	
100	2.884-035.0	Pump set	1.000	ST	

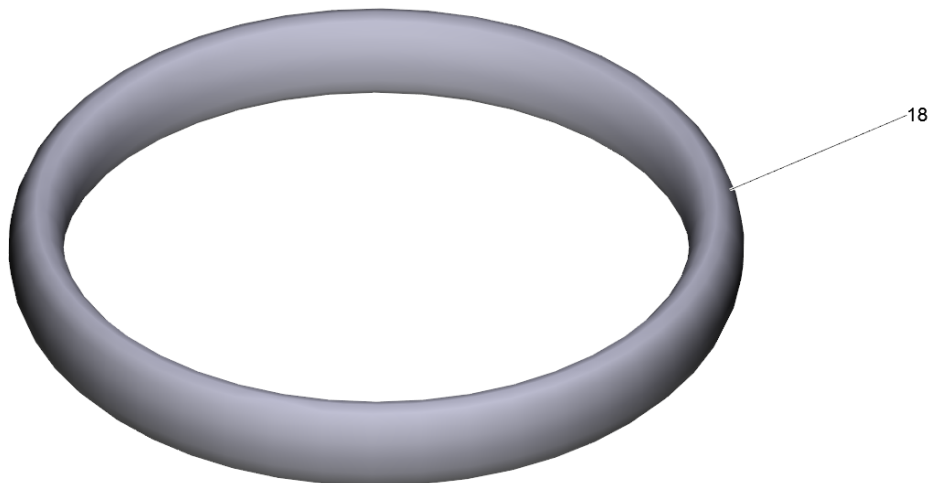
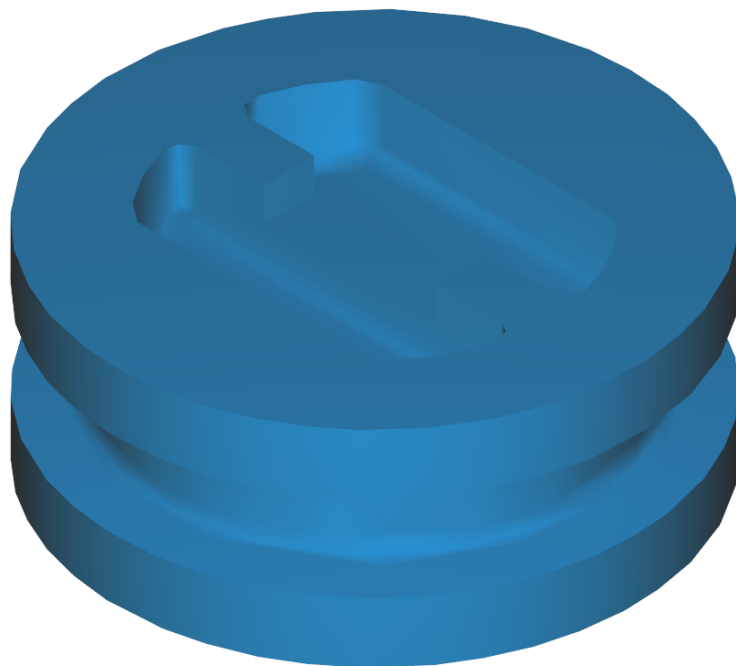


## 7 Spare part set chemistry (2.883-862.0)

---

<b>POS</b>	<b>Article no.</b>	<b>Description</b>	<b>Quantity</b>	<b>Unit</b>
40	5.332-258.0	Helical spring	1.000	ST
44	5.443-448.0	Nipple chemistry	1.000	ST
100	5.110-714.0	Sleeve	1.000	ST
101	6.363-597.0	O-Ring seal 5,28 x 1,78	1.000	ST
102	6.362-451.0	O-Ring seal 8,0 x 1,0	1.000	ST
110	6.376-036.0	Label spare parts neutrally 65x55 MM	1.000	ZST
150	7.401-908.0	Sphere 7 G300 -1.4301 DIN 5401	1.000	ST



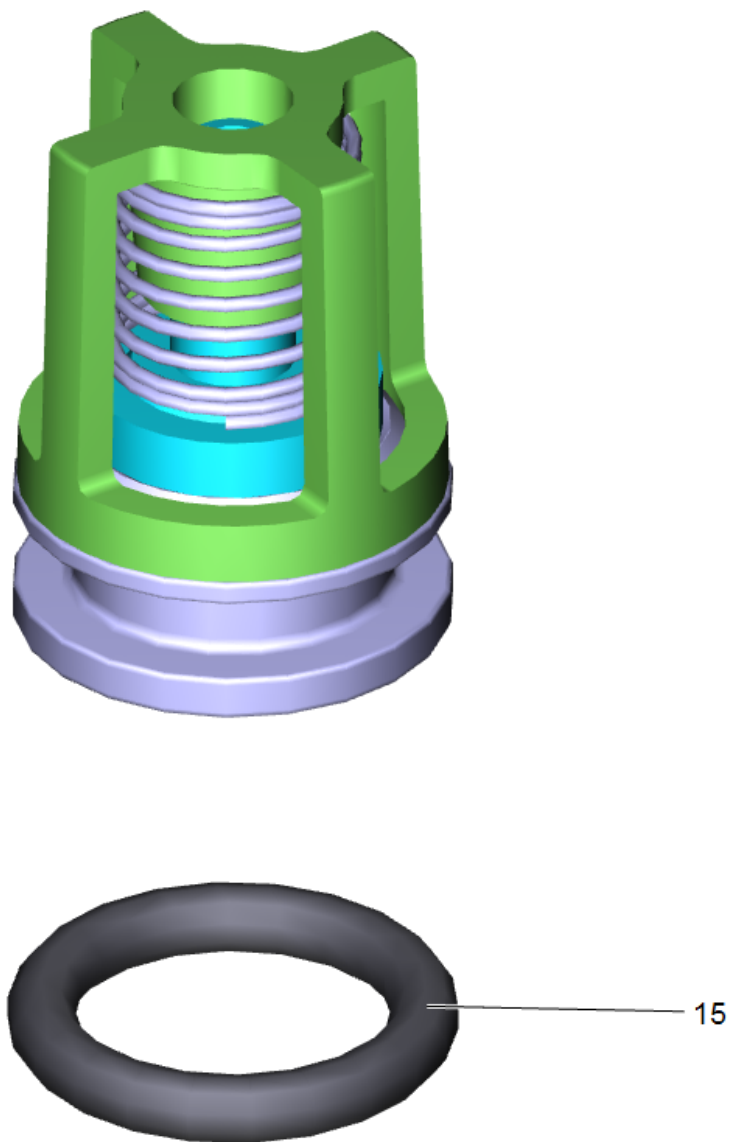


10 Drain plug only for replacement (4.132-007.0)

---

<b>POS</b>	<b>Article no.</b>	<b>Description</b>	<b>Quantity</b>	<b>Unit</b>
18	6.362-458.0	O-Ring seal 11,0x2,0-NBR 70	1.000	ST

---



11 Valve (3 Stück) (2.884-916.0)

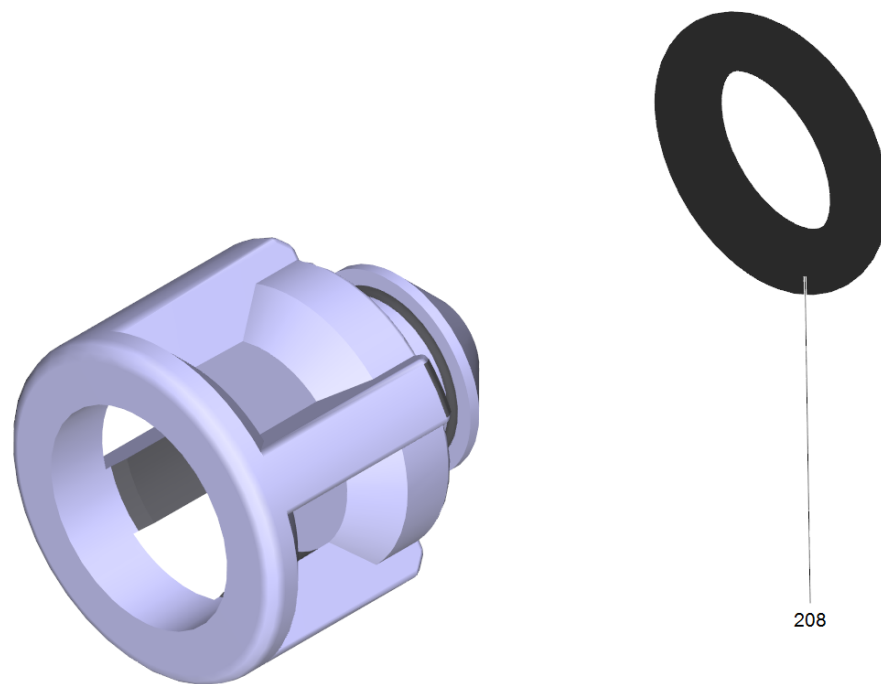
---

POS	Article no.	Description	Quantity	Unit
15	6.362-077.0	O-Ring seal 10 x 2,2 NBR 70	1.000	ST

## 24 Spare part set control piston (2.884-165.0)

---

<b>POS</b>	<b>Article no.</b>	<b>Description</b>	<b>Quantity</b>	<b>Unit</b>
10	4.553-204.0	Piston complete only for replacement	1.000	ST
20	5.115-869.0	Washer	1.000	ST
30	5.332-157.0	Helical spring	1.000	ST
40	5.367-030.0	Diaphragm	1.000	ST
50	5.411-155.0	Screw plug	1.000	ST
60	6.362-528.0	O-Ring seal 9,5 X 2,0	1.000	ST
70	6.363-074.0	O-Ring seal complete	1.000	ST

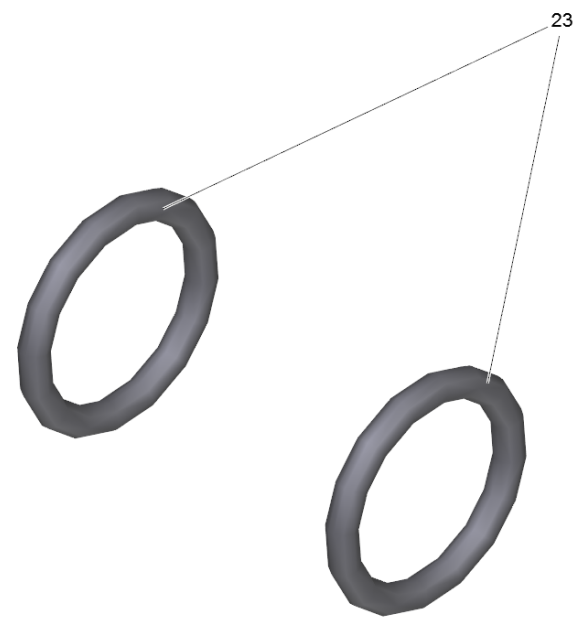
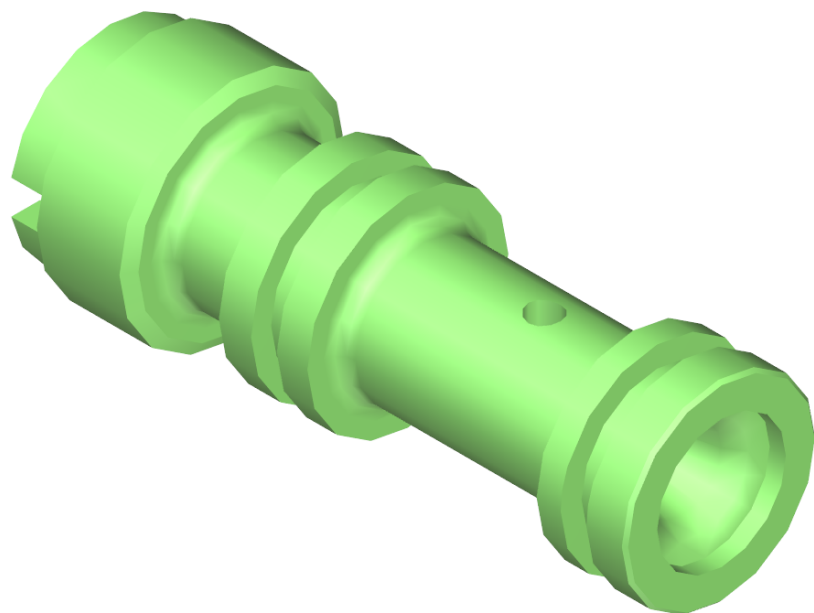


208

35 Valve pin complete (4.584-022.0)

---

POS	Article no.	Description	Quantity	Unit
208	6.363-613.0	O-Ring seal 4 x 2 -NBR90	1.000	ST





37 Nozzle insert (4.769-032.0)

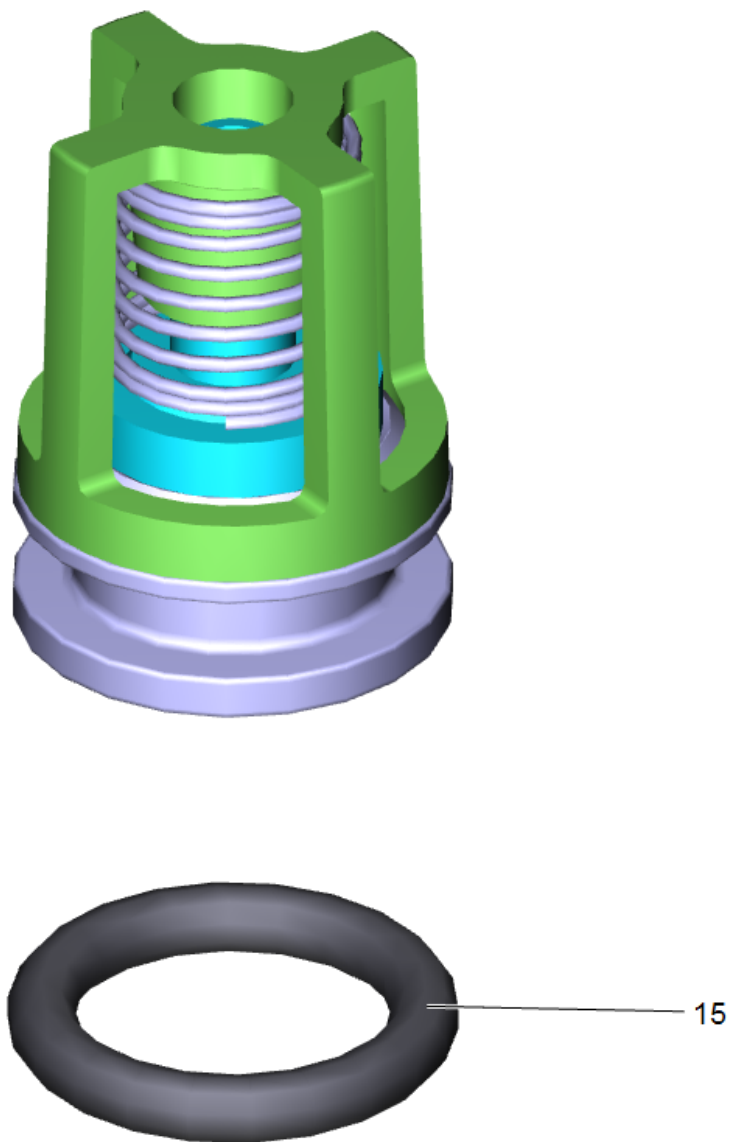
---

<b>POS</b>	<b>Article no.</b>	<b>Description</b>	<b>Quantity</b>	<b>Unit</b>
23	6.362-384.0	O-Ring seal 9x1,5 - NBR 70	2.000	ST
145		Grease	0.010	G

## 100 Pump set (2.884-035.0)

---

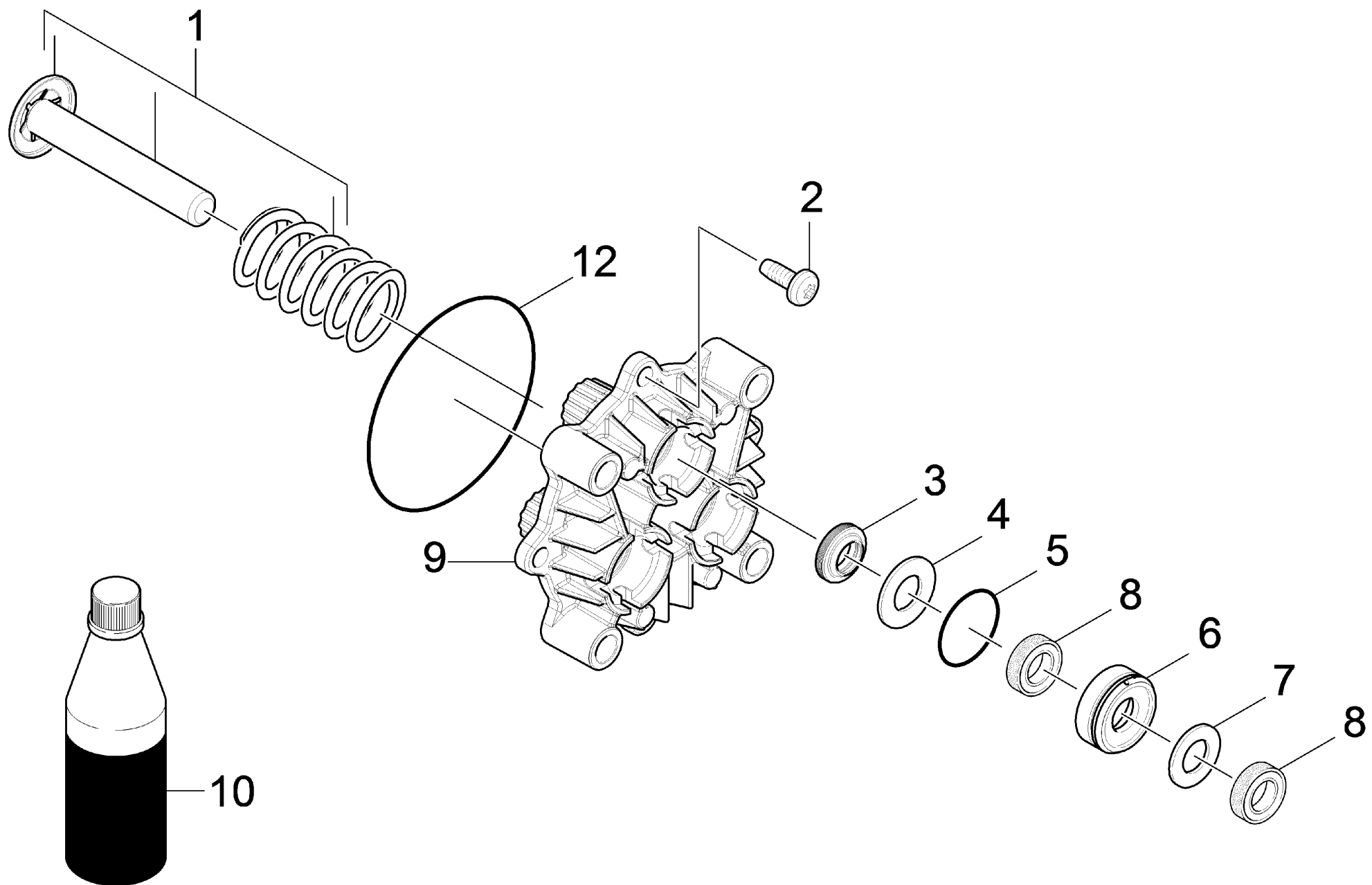
<b>POS</b>	<b>Article no.</b>	<b>Description</b>	<b>Quantity</b>	<b>Unit</b>
1	2.884-916.0	Valve (3 Stück)	2.000	ST
2	5.034-494.0	Retaining bracket	1.000	ST
3	5.115-721.0	Washer	3.000	ST
4	5.115-869.0	Washer	1.000	ST
5	5.116-093.0	Washer	3.000	ST
6	5.365-284.0	Profile gasket	1.000	ST
7	6.362-376.0	O-Ring seal 24,0 X 1,5	3.000	ST
8	6.362-458.0	O-Ring seal 11,0x2,0-NBR 70	3.000	ST
9	6.365-477.0	Grooved ring 12x20x5,3/2,8	6.000	ST



1 Valve (3 Stück) (2.884-916.0)

---

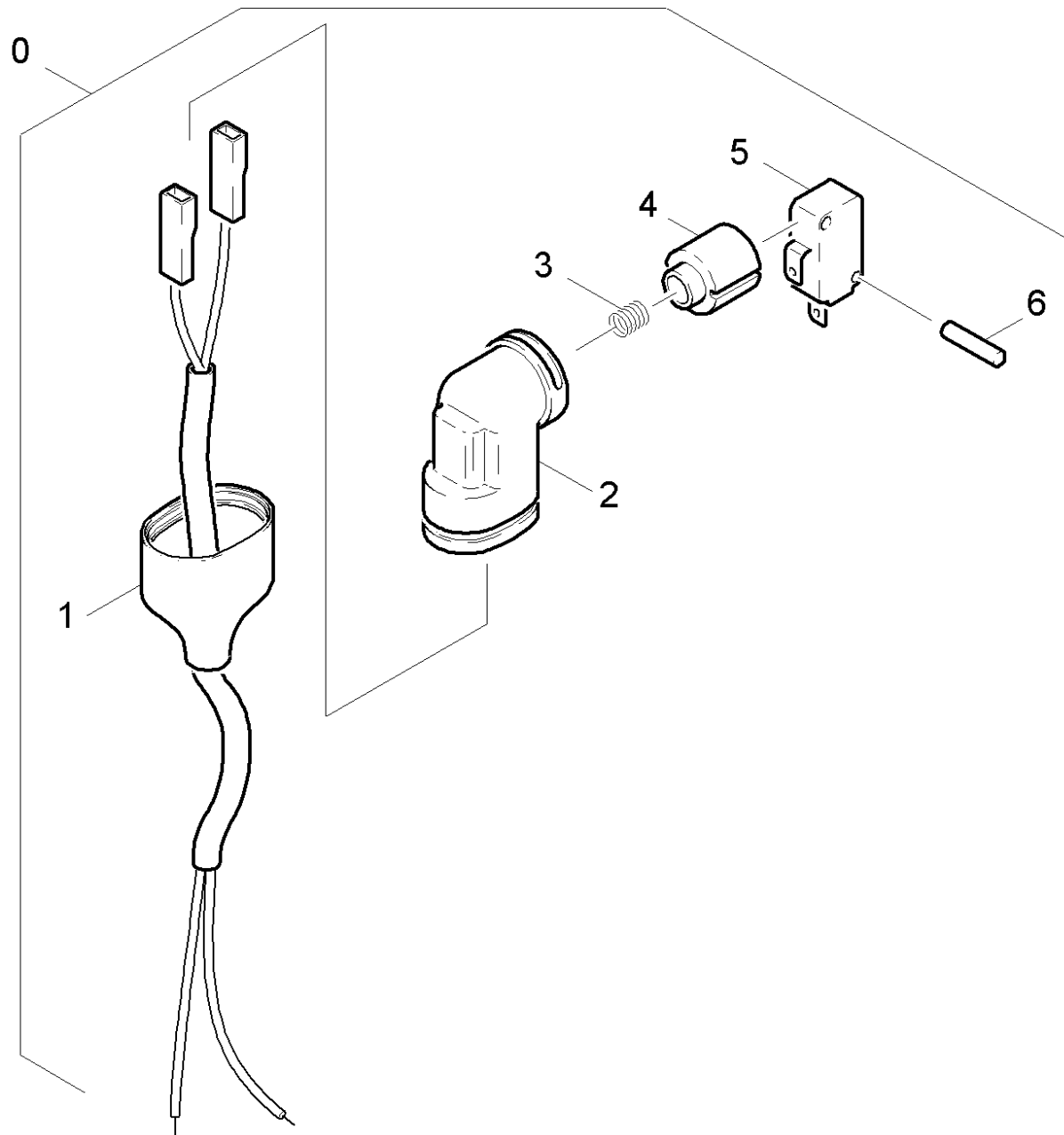
POS	Article no.	Description	Quantity	Unit
15	6.362-077.0	O-Ring seal 10 x 2,2 NBR 70	1.000	ST



## 22 Piston

---

<b>POS</b>	<b>Article no.</b>	<b>Description</b>	<b>Quantity</b>	<b>Unit</b>
1	4.553-230.0	Piston complete	3.000	ST
2	7.303-047.0	Screw M6x16 -St-R3R (In6Rd)	2.000	ST
3	6.365-001.0	Grooved ring 12x20x4/6	3.000	ST
4	5.116-093.0	Washer	3.000	ST
5	6.362-376.0	O-Ring seal 24,0 X 1,5	3.000	ST
6	5.112-726.0	Bush	3.000	ST
7	5.115-721.0	Washer	3.000	ST
8	6.365-477.0	Grooved ring 12x20x5,3/2,8	6.000	ST
9	5.061-018.3	Thrust guidance	1.000	ST
10	6.288-050.0	Engine oil 1L	1.000	ST
12	6.363-077.0	O-Ring seal 75x3	1.000	ST

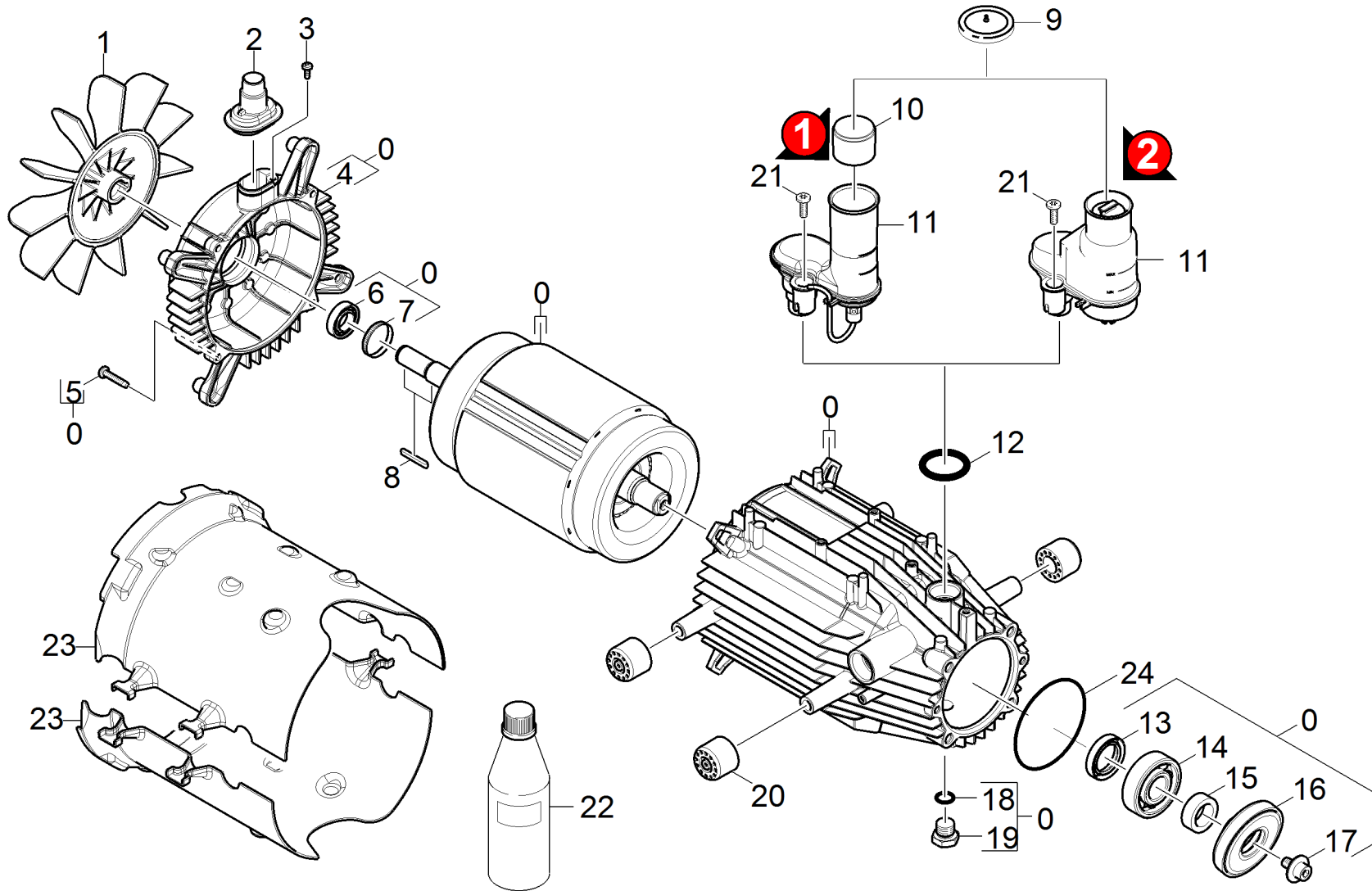


## 23 Switch

---

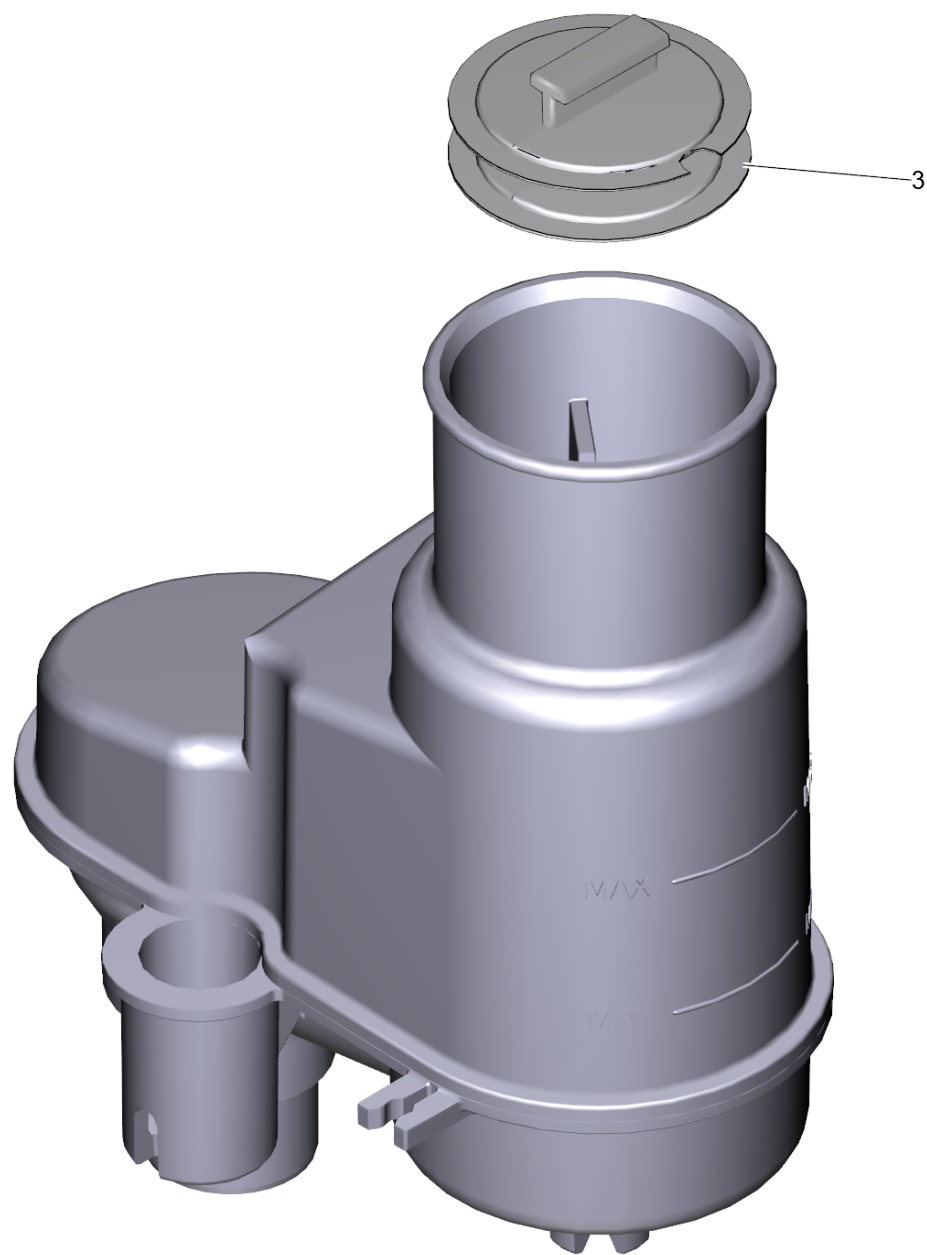
POS	Article no.	Description	Quantity	Unit
0	4.744-001.0	Switch complete -nur fuer Ersatz-	1.000	ST
1	6.648-111.0	Control cable	1.000	ST
2	5.042-860.0	Holder	1.000	ST
3	5.332-322.0	Spring	1.000	ST
4	5.053-051.0	Bracket	1.000	ST
5	6.631-807.0	Micro switch	1.000	ST
6	7.314-664.0	Straight grooved pin 3,0x20-KU ISO 8740	1.000	ST





## 30 Motor

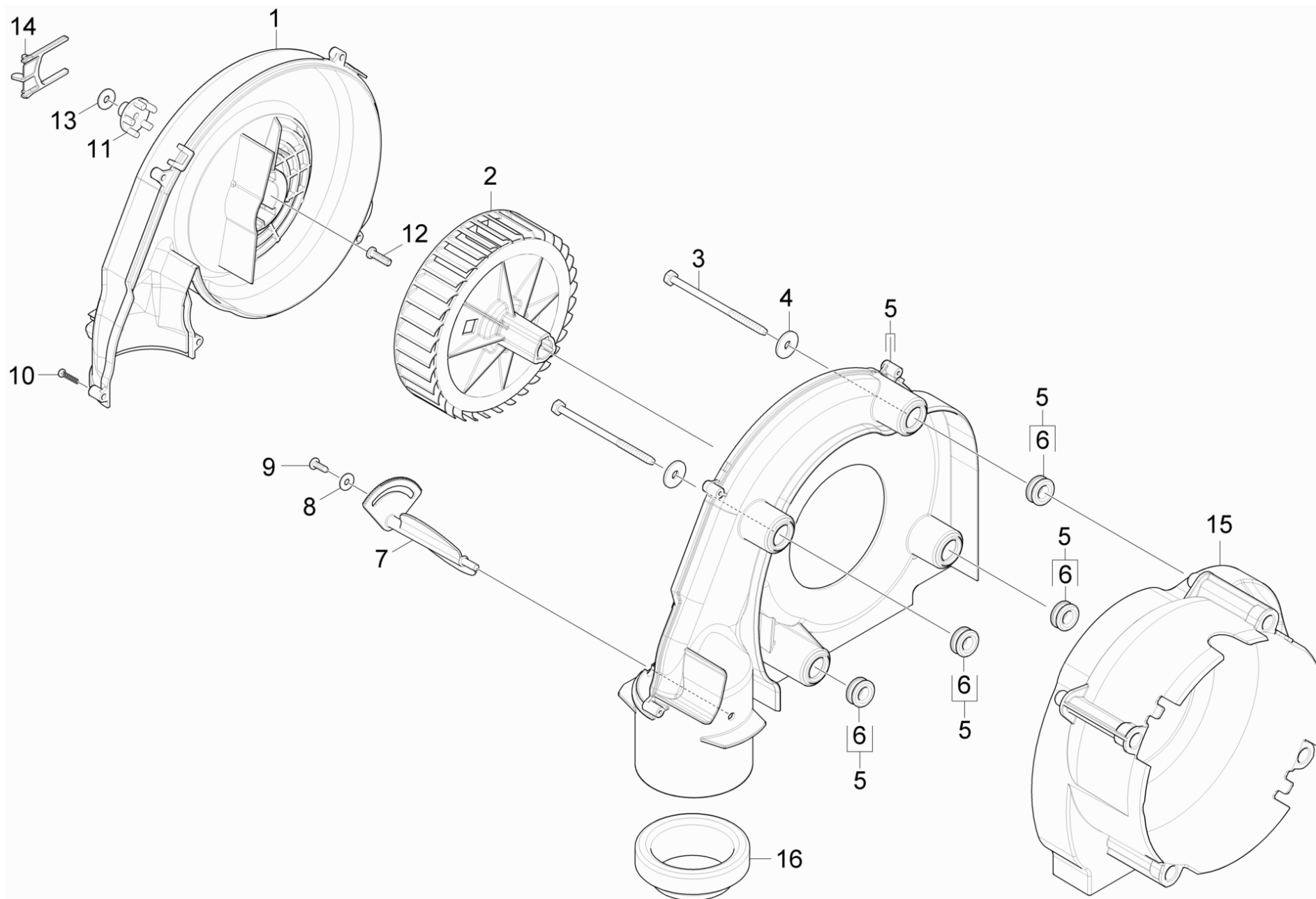
POS	Article no.	Description	Quantity	Unit	Foot note text
0	4.624-185.0	Motor complete only for replacement	1.000	ST	
1	5.600-098.0	Blower wheel	1.000	ST	
2	5.365-336.0	Profile gasket	1.000	ST	
3	7.303-031.0	Screw M4x10 -St-P2R (In6Rd)	1.000	ST	
4	5.064-336.0	Bearing cover B	1.000	ST	
5	7.303-042.0	Screw M5x25 -St-R2R (In6Rd)	4.000	ST	
6	7.401-134.0	Ball bearing 6203-2RS-WAELZLAGST DIN 625	1.000	ST	
7	6.343-028.0	Tolerance ring	1.000	ST	
8	7.318-005.0	Parallel key 5x5x28-C45K DIN 6885	2.000	ST	
9	5.064-458.0	Cover oil	1.000	ST	
10	5.132-107.0	Plug	1.000	ST	
11	4.071-260.3	Oil container without sensor	1.000	ST	VERSION 2
	<b>Item text1:</b> 1.272-900.0/-902.0				
11	4.070-719.0	Tank oil complete	1.000	ST	VERSION 1
	<b>Item text1:</b> 1.272-200.0				
12	6.362-161.0	O-Ring seal 19,3 X 2,4	1.000	ST	
13	7.367-001.0	Radial shaft seal ring A24x37x7 -NBR DI	1.000	ST	
14	7.401-155.0	Ball bearing 6304-WAELZLAGERST DIN 625	1.000	ST	
15	5.116-144.0	Washer	1.000	ST	
16	6.401-289.0	Wobble plate	1.000	ST	
17	9.086-169.0	Wobble plate screw M8x16	1.000	ST	
18	6.362-028.0	O-Ring seal 11x2,2 NBR 70	1.000	ST	
19	5.411-100.0	Screw plug	1.000	ST	
20	5.767-005.0	Rubber buffer	4.000	ST	
21	6.303-153.0	Screw M5x15-ST-R2R (IN6RD)	1.000	ST	
22	6.288-219.0	Engine oil 1 L	1.000	ST	
23	5.692-117.0	Air circulation extension	2.000	ST	
24	6.363-077.0	O-Ring seal 75x3	1.000	ST	



11 Oil container without sensor (4.071-260.3)

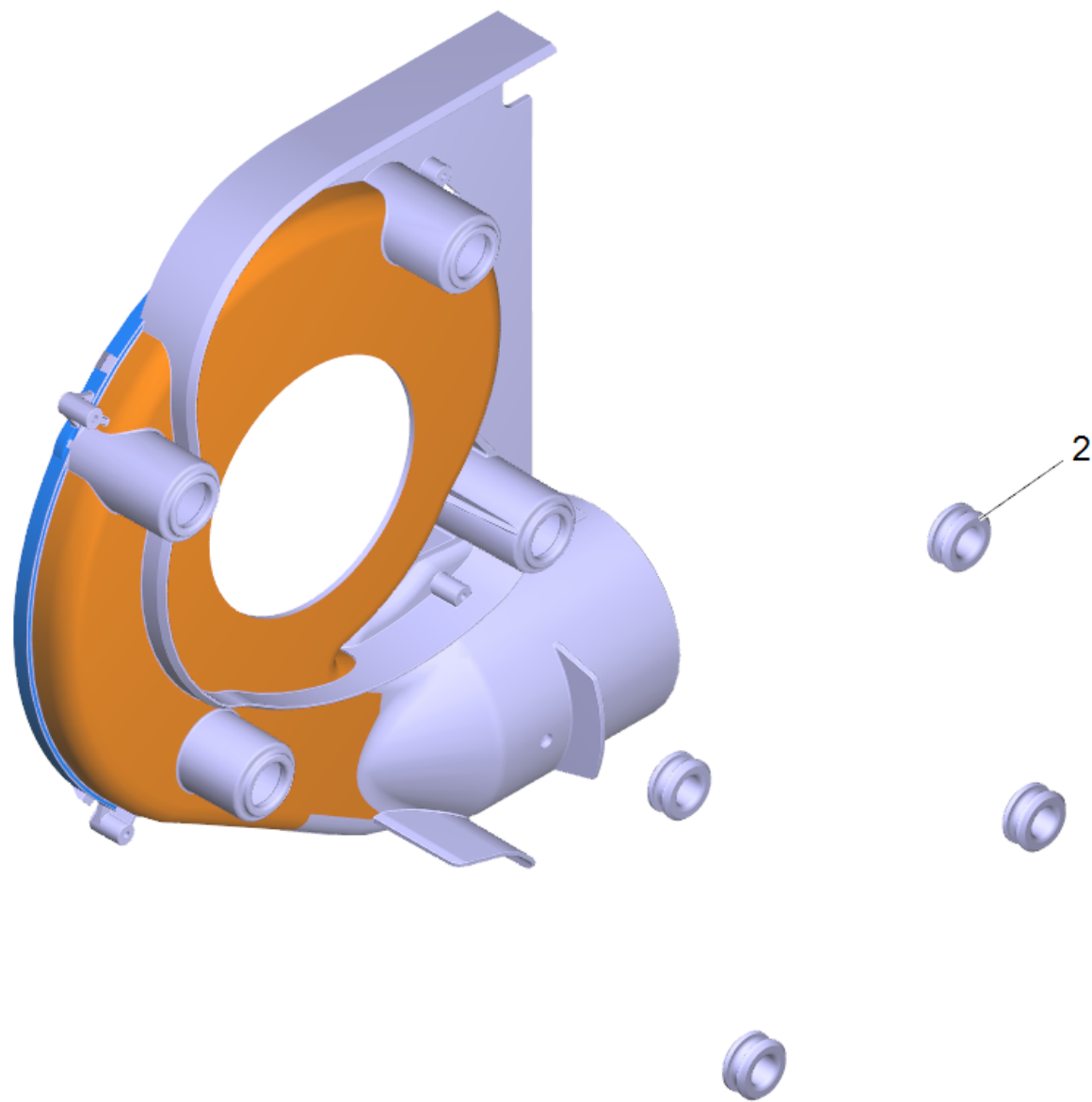
---

<b>POS</b>	<b>Article no.</b>	<b>Description</b>	<b>Quantity</b>	<b>Unit</b>
3	5.063-042.0	Cover oil box	1.000	ST



## 40 Blower

POS	Article no.	Description	Quantity	Unit
1	5.064-341.0	Cover blower	1.000	ST
2	5.600-100.0	Blower wheel	1.000	ST
3	6.303-517.0	Self-tapping screw M6x100	4.000	ST
4	7.312-260.0	Washer 6 -100HV-A3E ISO 7094	4.000	ST
5	4.605-139.0	Housing blower complete	1.000	ST
6	5.379-019.0	Rubber ring	4.000	ST
7	5.606-009.0	Air flap	1.000	ST
8	7.312-278.0	Washer 5-200HV-A2E ISO7093-1	1.000	ST
9	7.303-107.0	Screw 5x16 -10.9-P2R (K-In6Rd)	1.000	ST
10	7.303-084.0	Screw 4x25 -10.9-R2R (K-In6Rd)	2.000	ST
11	5.471-097.0	Coupler fuel pump	1.000	ST
12	6.304-145.0	Screw M 6X20-R3R (IN6RD)	1.000	ST
13	7.312-276.0	Washer 6 -200HV-A2E ISO7093-1	1.000	ST
14	5.263-099.0	Clamp	1.000	ST
15	5.692-099.0	Air circulation	1.000	ST
16	5.178-040.0	Collar air circulation	1.000	ST



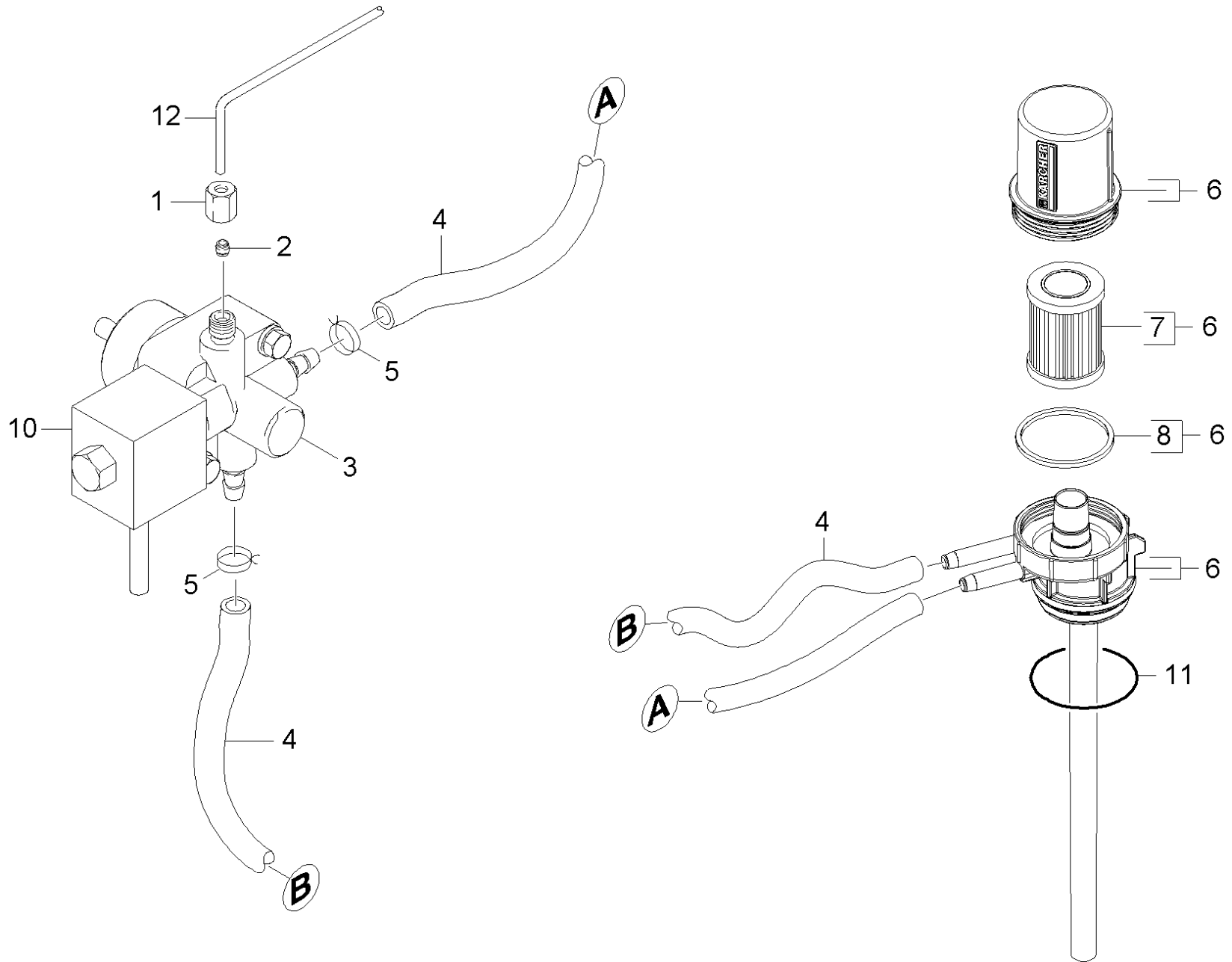
5 Housing blower complete (4.605-139.0)

---

<b>POS</b>	<b>Article no.</b>	<b>Description</b>	<b>Quantity</b>	<b>Unit</b>
2	5.379-019.0	Rubber ring	4.000	ST

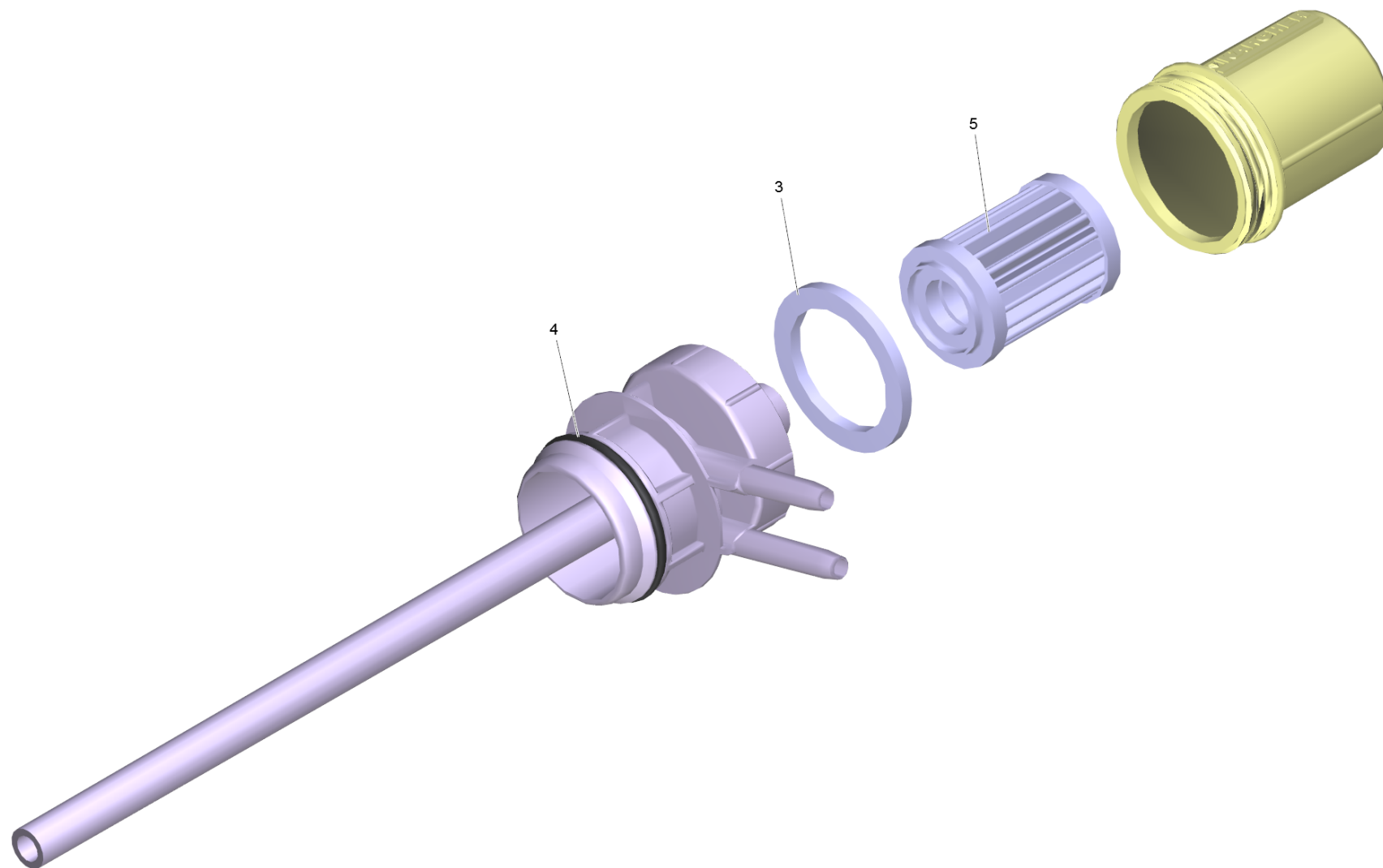
---





## 50 Fuel pump and filter

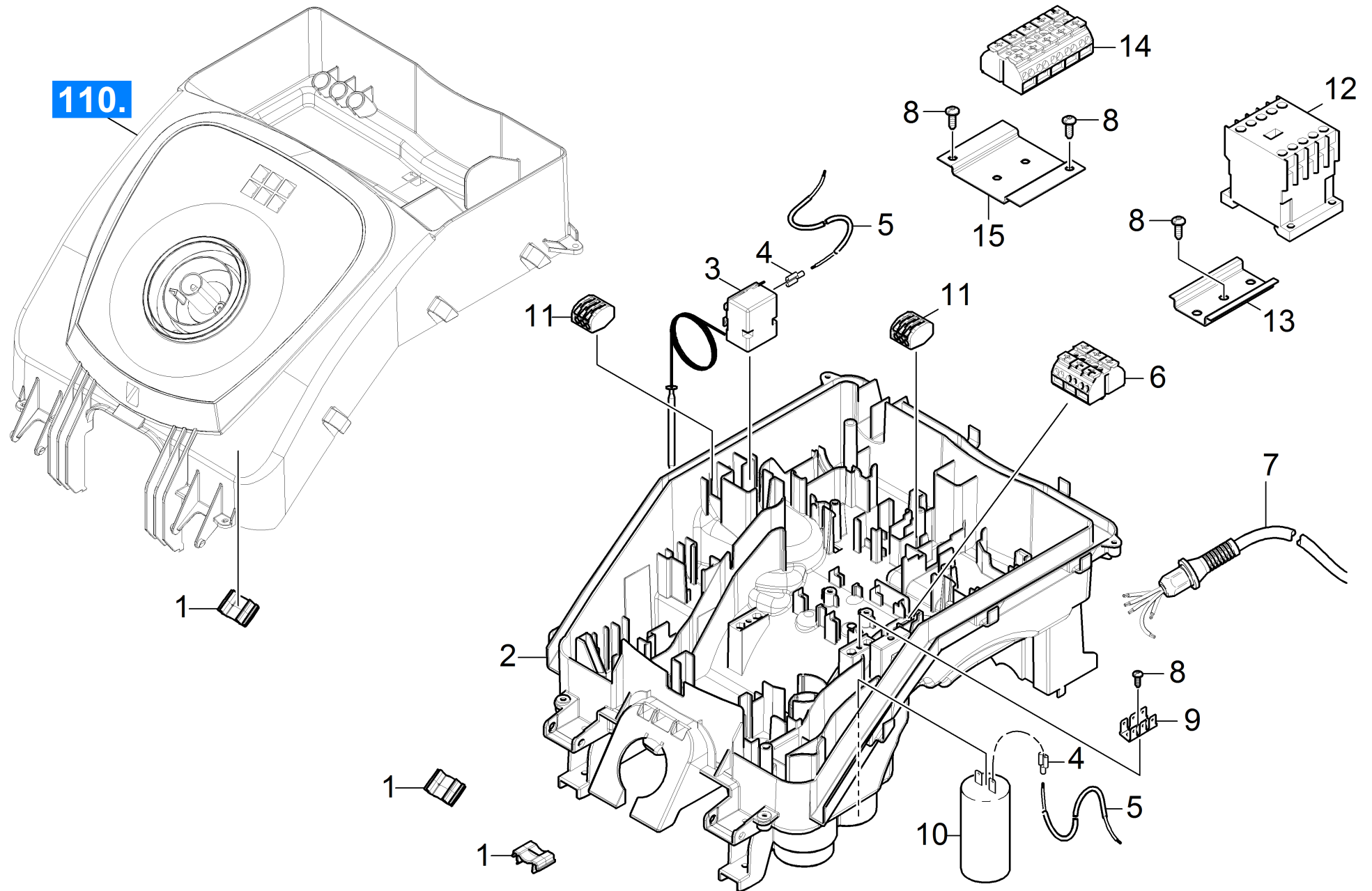
POS	Article no.	Description	Quantity	Unit	Foot note text
1	6.389-262.0	Union nut A 4-LL	1.000	ST	
2	6.389-263.0	Cutting ring d.4	1.000	ST	
3	6.473-566.0	Fuel pump only for replacement	1.000	ST	
4	6.391-820.0	Hose	1.000	M	TO ORDER AS CUT GOODS
5	6.388-559.0	Hose clip	2.000	ST	
6	4.730-163.0	Filter complete fuel	1.000	ST	
7	6.414-559.0	Filter fuel	1.000	ST	
8	5.363-629.0	Seal	1.000	ST	
10	6.473-568.0	Solenoid valve complete only for replace	1.000	ST	
11	6.363-579.0	O-Ring seal 35 x 2,5	1.000	ST	
12	5.423-417.0	Conduit fuel	1.000	ST	



## 6 Filter complete fuel (4.730-163.0)

---

<b>POS</b>	<b>Article no.</b>	<b>Description</b>	<b>Quantity</b>	<b>Unit</b>
3	5.363-629.0	Seal	1.000	ST
4	6.363-579.0	O-Ring seal 35 x 2,5	1.000	ST
5	6.414-559.0	Filter fuel	1.000	ST



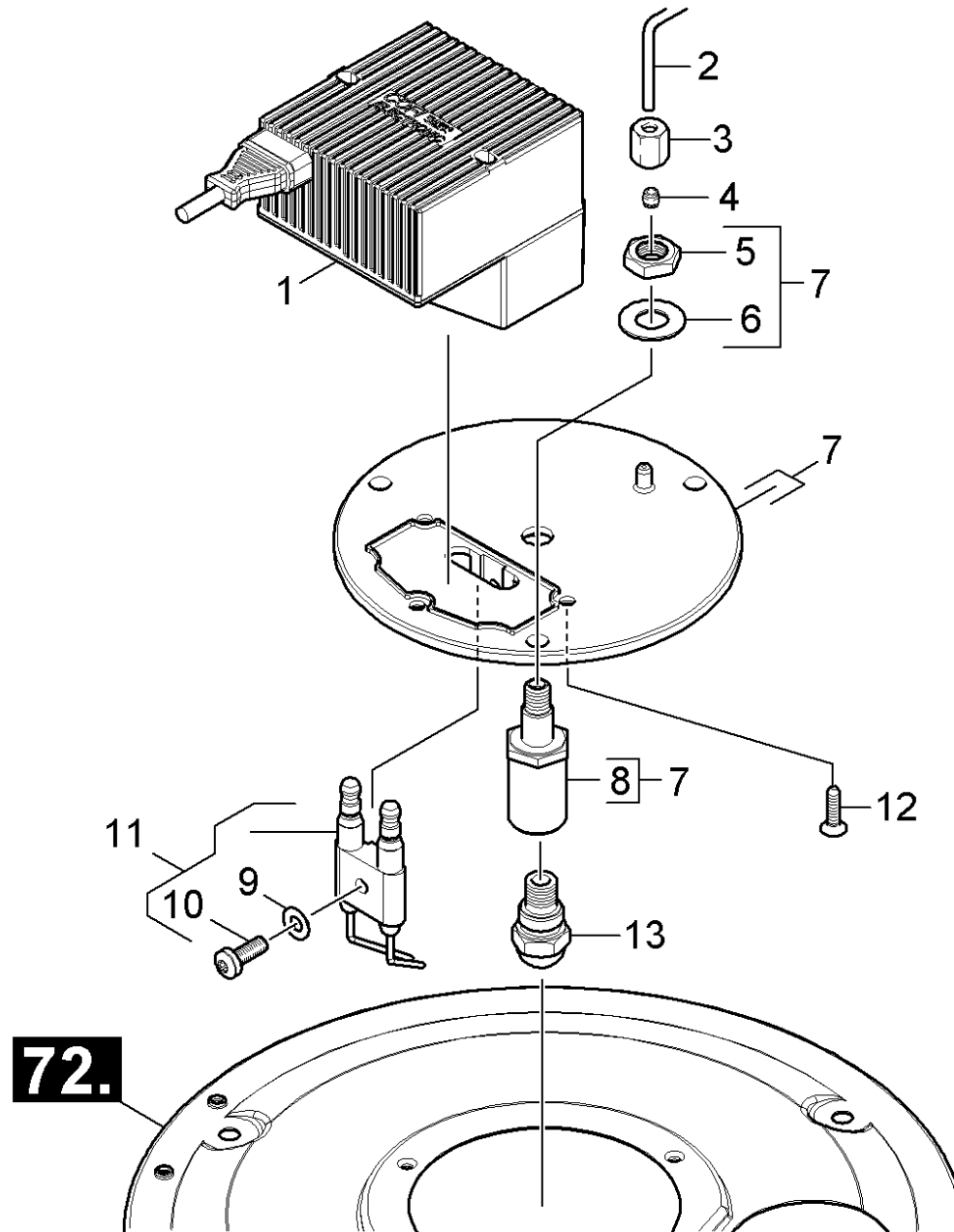
## 60 Electric control box

POS	Article no.	Description	Quantity	Unit
1	5.802-307.0	Holder cable	3.000	ST
2	5.801-142.0	Mounting plate	1.000	ST
3	4.686-029.0	Thermostat only for replacement	1.000	ST
4	6.641-222.0	Receptacles for tabs	4.000	ST
5	6.641-027.0	Cable 1x1,5mm <sup>2</sup> SW/BK	4.000	M
6	6.644-364.0	Terminal clamp four-core triple-pole	1.000	ST
7	4.649-061.0	Connection cable complete only for repla	1.000	ST
8	7.303-106.0	Screw 4x12 -10.9-R2R (IN6RD)	4.000	ST
9	6.641-270.0	Plug	1.000	ST
10	6.661-132.0	Capacitor 35MF	1.000	ST
11	6.646-748.0	Clamp for cable 0,08-2,5mm <sup>2</sup>	4.000	ST
12	6.632-281.0	Contactactor 230 V	1.000	ST
13	5.802-261.0	Mounting part	1.000	ST
14	6.644-593.0	Terminal clamp 4-adrig 5-polig	1.000	ST
15	5.802-317.0	Mounting part	1.000	ST

## 70 Flow heater

---

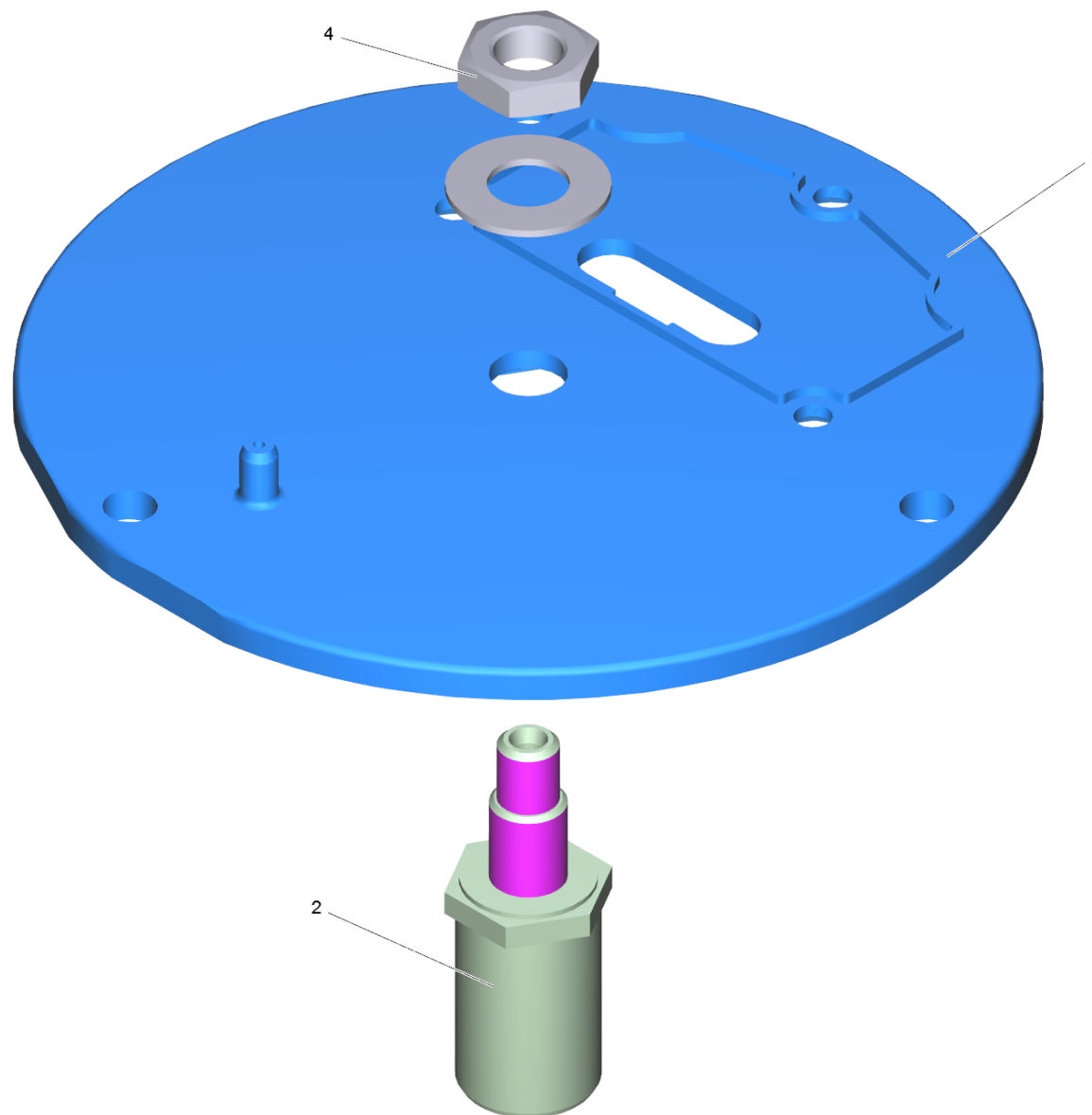
<b>POS</b>	<b>Description</b>	<b>Quantity</b>	<b>Unit</b>
71	Burner cover	1.000	ST
72	Outer covering and heating coil	1.000	ST





## 71 Burner cover

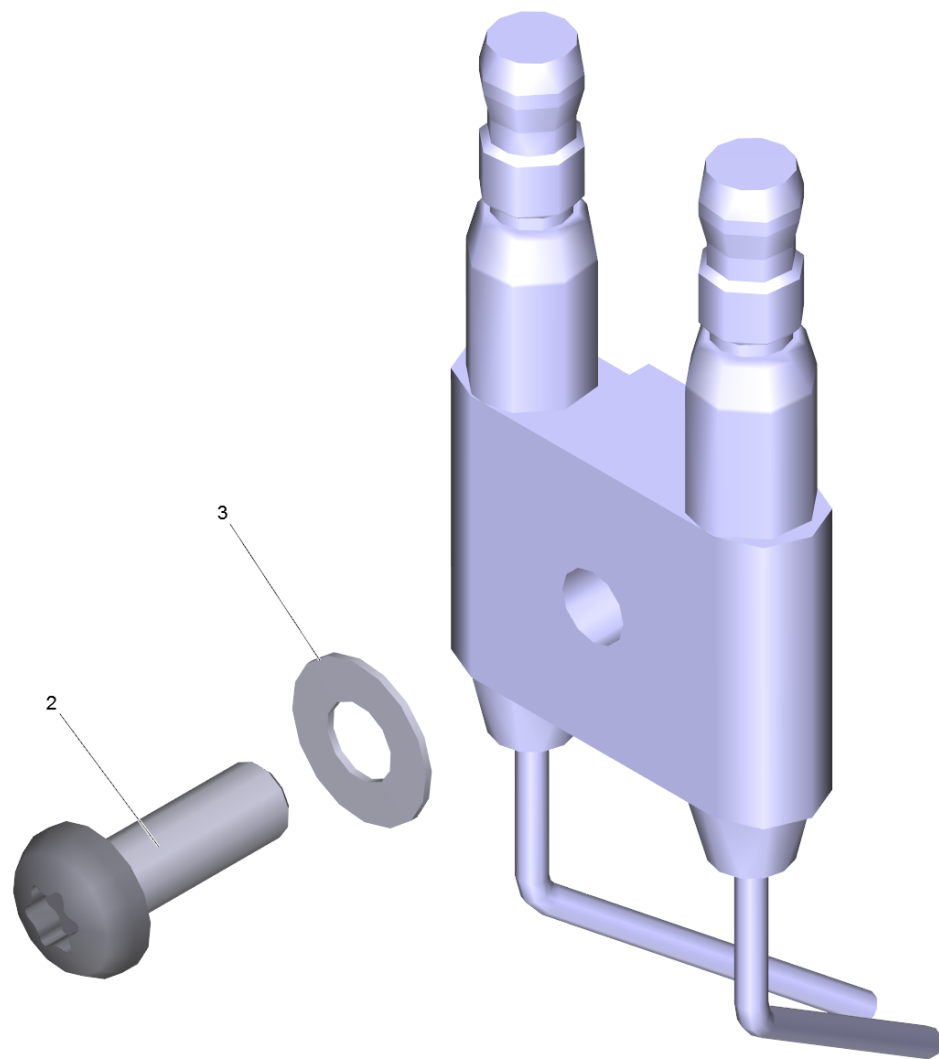
POS	Article no.	Description	Quantity	Unit
1	4.622-027.0	Ignition transformer only for replacemen	1.000	ST
2	5.423-417.0	Conduit fuel	1.000	ST
3	6.389-262.0	Union nut A 4-LL	1.000	ST
4	6.389-263.0	Cutting ring d.4	1.000	ST
5	7.311-101.0	Hexagon nut M10x1 -04-A2E ISO 8675	1.000	ST
6	7.312-302.0	Spring washer B10-FST-A2E DIN 137	1.000	ST
7	4.654-296.0	Cover pressure boiler only for replaceme	1.000	ST
8	5.667-055.0	Nozzle holder	1.000	ST
9	7.312-304.0	Spring washer B 5-FST-A2E DIN 137	1.000	ST
10	7.306-217.0	Screw M5x14 -8.8-R2R (In6Rd)	1.000	ST
11	2.638-974.0	Conversion kit ignition electrode	1.000	ST
12	7.303-125.0	Countersunk screw 4x16 -10.9-R2R (In6Rd)	3.000	ST
13	6.415-933.0	Burner nozzle	1.000	ST



7 Cover pressure boiler only for replaceme (4.654-296.0)

---

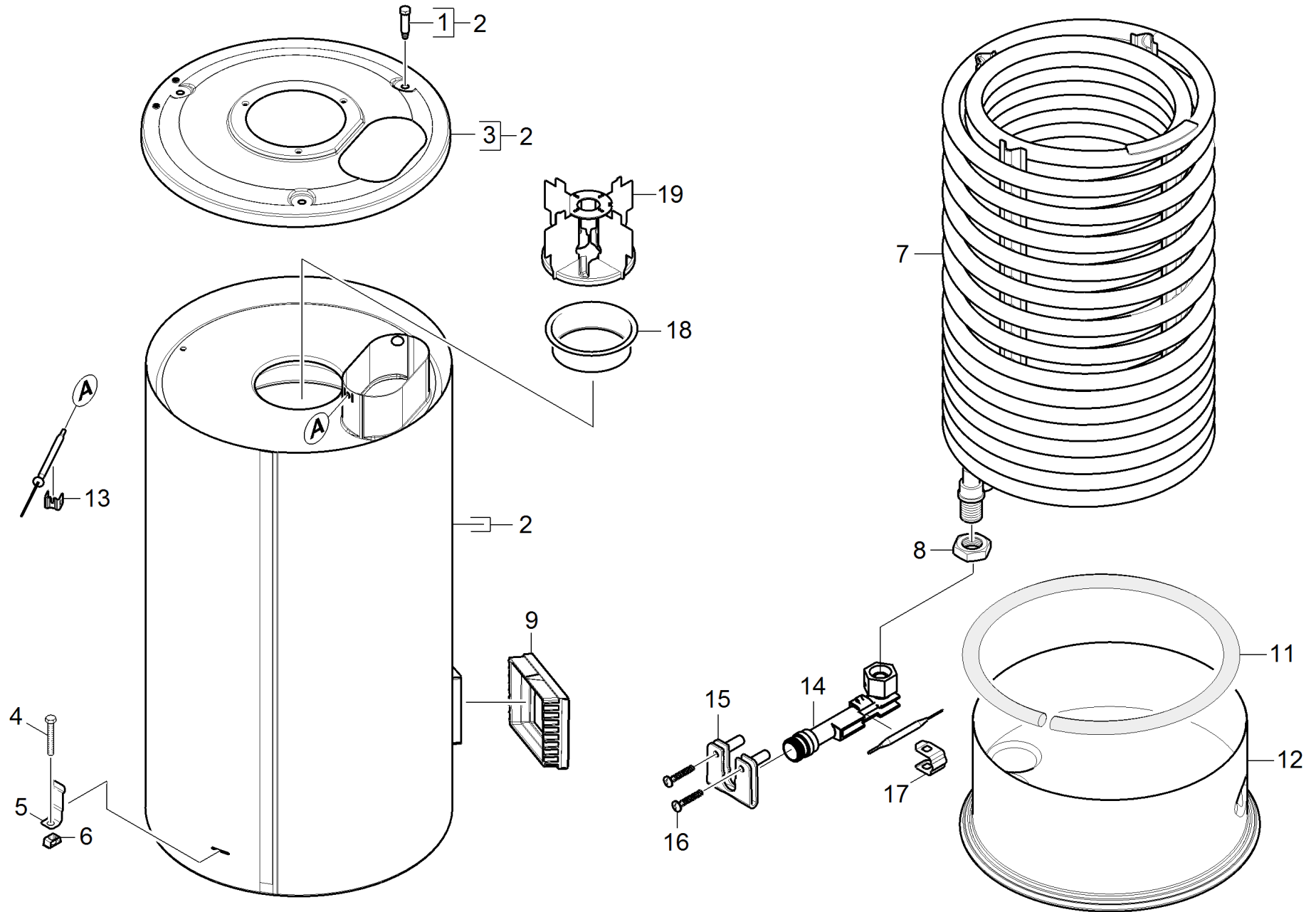
<b>POS</b>	<b>Article no.</b>	<b>Description</b>	<b>Quantity</b>	<b>Unit</b>
1	5.662-023.0	Burner cover	1.000	ST
2	5.667-055.0	Nozzle holder	1.000	ST
4	7.311-101.0	Hexagon nut M10x1 -04-A2E ISO 8675	1.000	ST



## 11 Conversion kit ignition electrode (2.638-974.0)

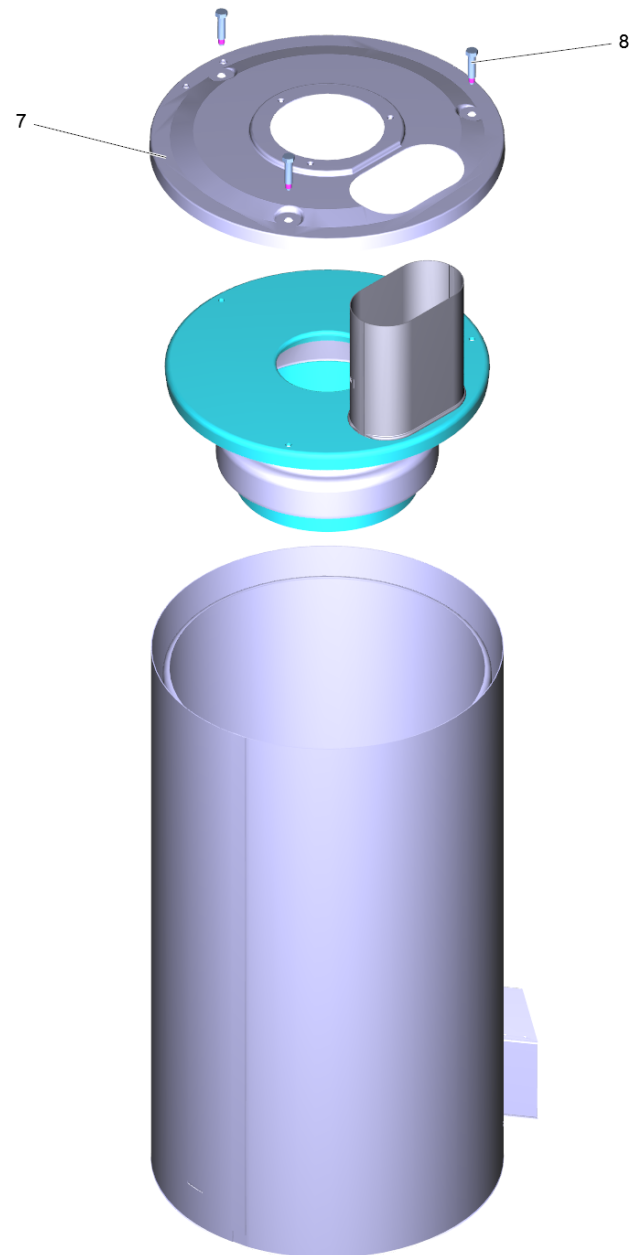
---

<b>POS</b>	<b>Article no.</b>	<b>Description</b>	<b>Quantity</b>	<b>Unit</b>
2	7.306-217.0	Screw M5x14 -8.8-R2R (In6Rd)	1.000	ST
3	7.312-304.0	Spring washer B 5-FST-A2E DIN 137	1.000	ST



## 72 Outer covering and heating coil

POS	Article no.	Description	Quantity	Unit	Foot note text
1	6.303-258.0	Self-tapping screw	3.000	ST	
2	4.652-150.0	Vessel mantel complete	1.000	ST	
3	5.654-051.0	Cover pressure boiler	1.000	ST	
4	7.304-051.0	Hexagonal head screw M 8x16-8.8-P2R EN	3.000	ST	
5	5.044-420.0	Holder	3.000	ST	
6	6.310-081.0	Cage nut M 8	3.000	ST	
7	4.680-130.0	Heating coil VA	1.000	ST	STAINLESS STEEL CONSTRUCTION
7	4.680-126.0	Heating coil	1.000	ST	
8	7.311-155.0	Hexagon nut M22x1,5 -Cu2 DIN 936	2.000	ST	
9	5.195-319.0	Seal air circulation	1.000	ST	
11	6.366-009.0	Seal string	1.000	ST	
12	4.655-044.0	Bottom pressure boiler	1.000	ST	
13	5.034-834.0	Holder probe	1.000	ST	
14	4.422-126.0	Manifold complete high-pressure outlet	1.000	ST	
15	5.043-076.0	Holder high-pressure outlet	1.000	ST	
16	7.303-086.0	Screw 5x30 -10.9-R2R (K-In6Rd)	2.000	ST	
17	5.263-064.0	Tensioning part	1.000	ST	
18	5.664-231.0	Flame tube	1.000	ST	
19	4.663-141.0	Baffle plate complete	1.000	ST	

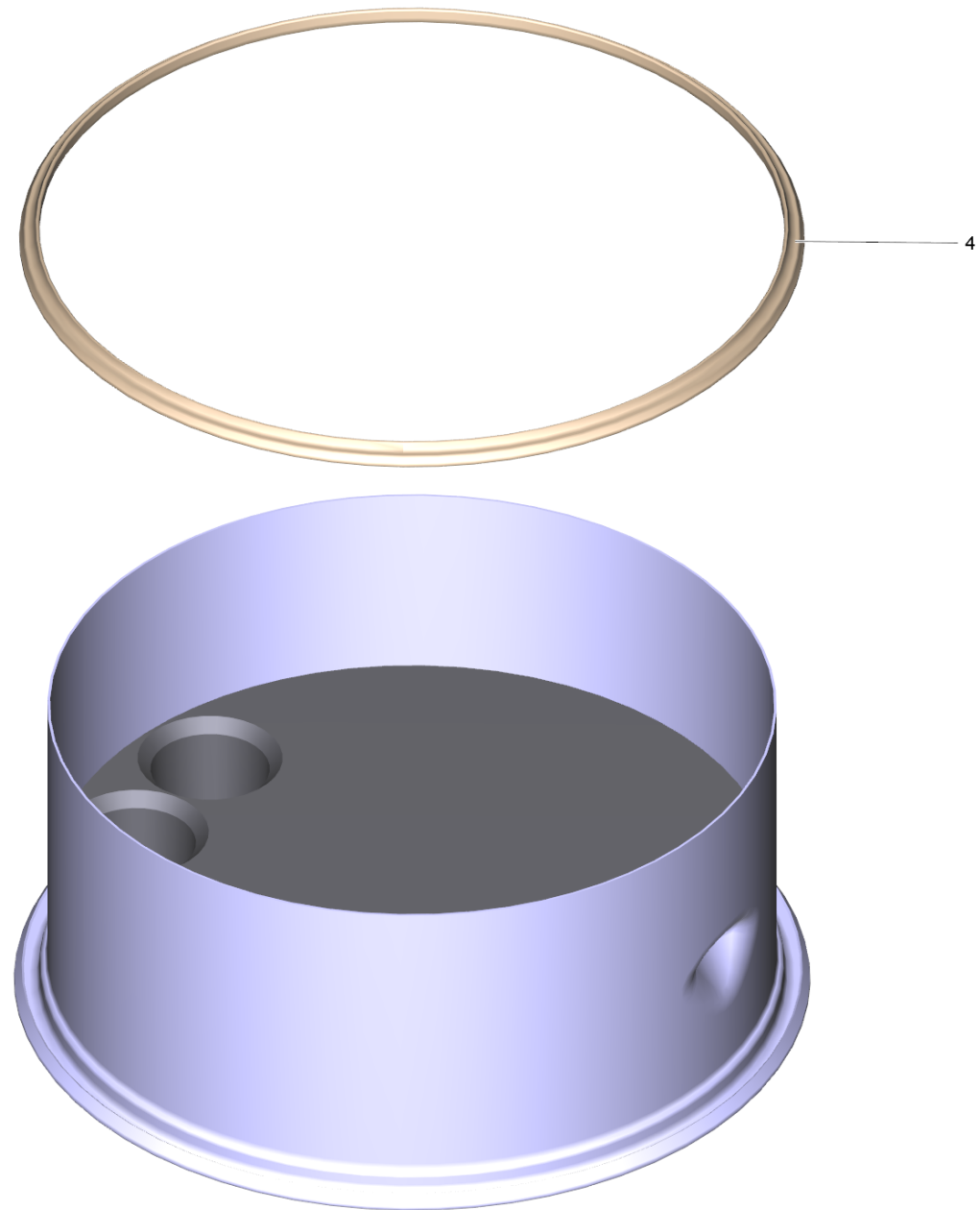




2 Vessel mantel complete (4.652-150.0)

---

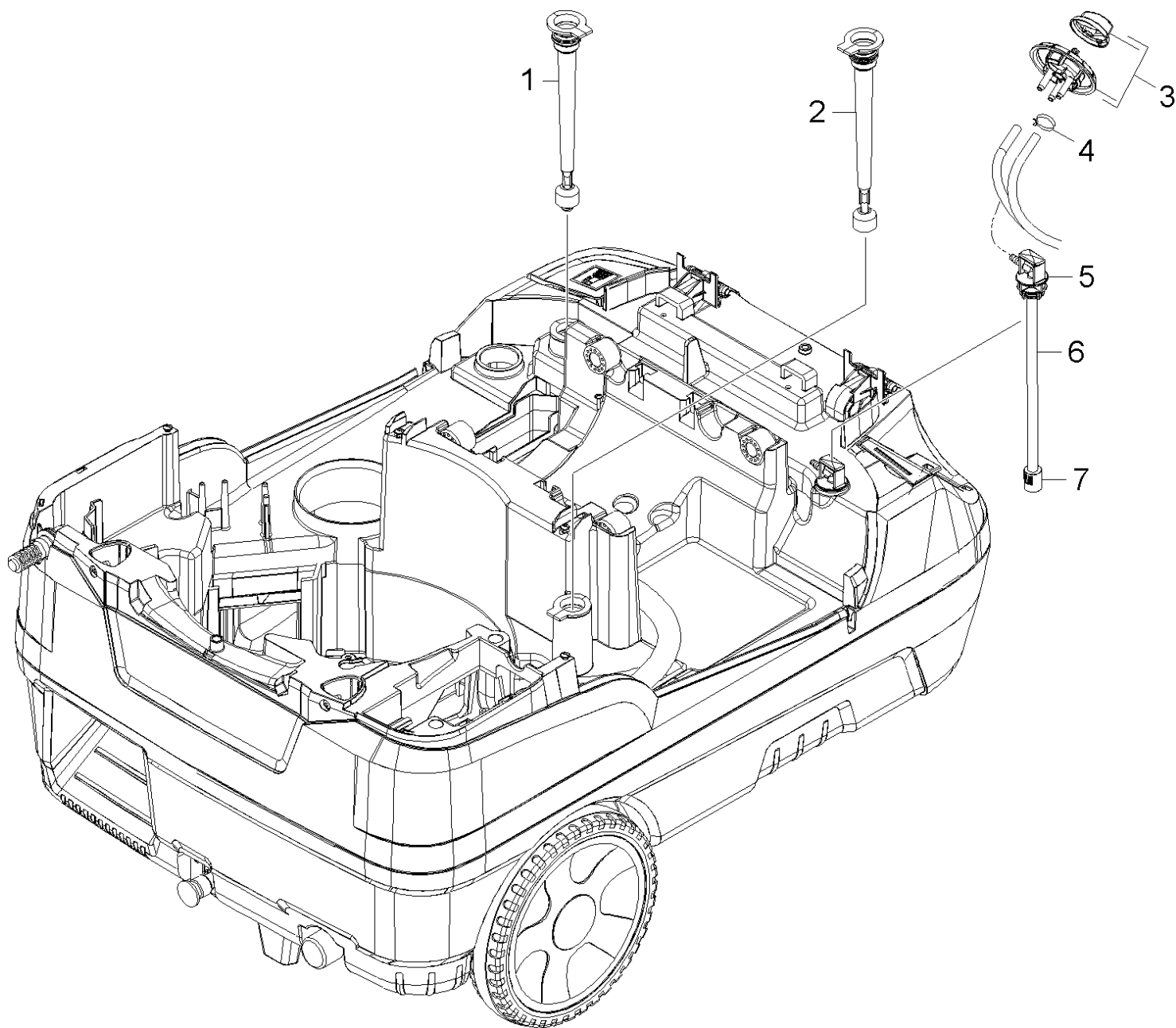
<b>POS</b>	<b>Article no.</b>	<b>Description</b>	<b>Quantity</b>	<b>Unit</b>
7	5.654-051.0	Cover pressure boiler	1.000	ST
8	6.303-258.0	Self-tapping screw	3.000	ST



## 12 Bottom pressure boiler (4.655-044.0)

---

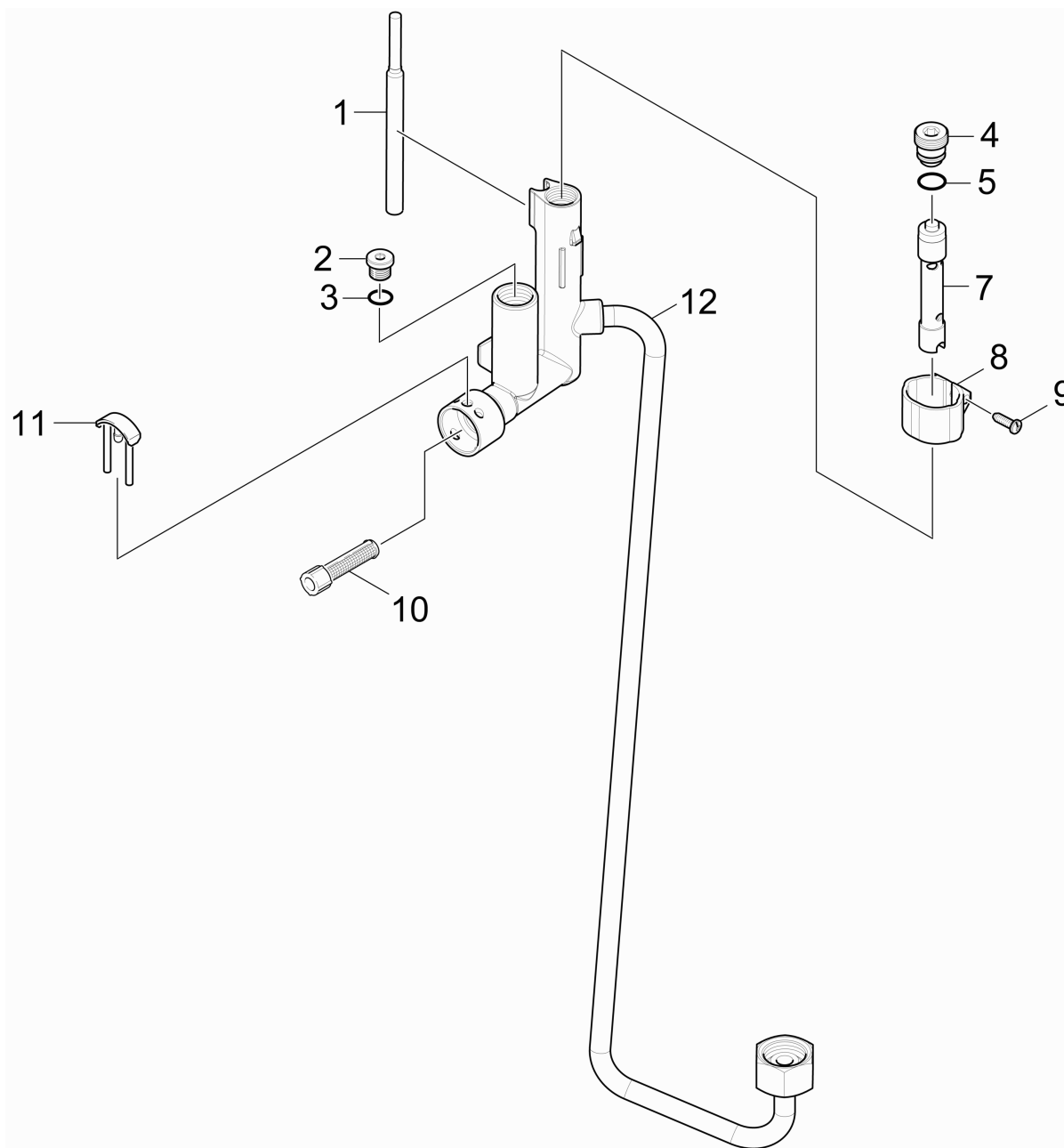
<b>POS</b>	<b>Article no.</b>	<b>Description</b>	<b>Quantity</b>	<b>Unit</b>
4	6.366-009.0	Seal string	1.000	ST
6	6.869-024.0	Quick-bonding agent	0.004	ZST



## 80 Level probe

---

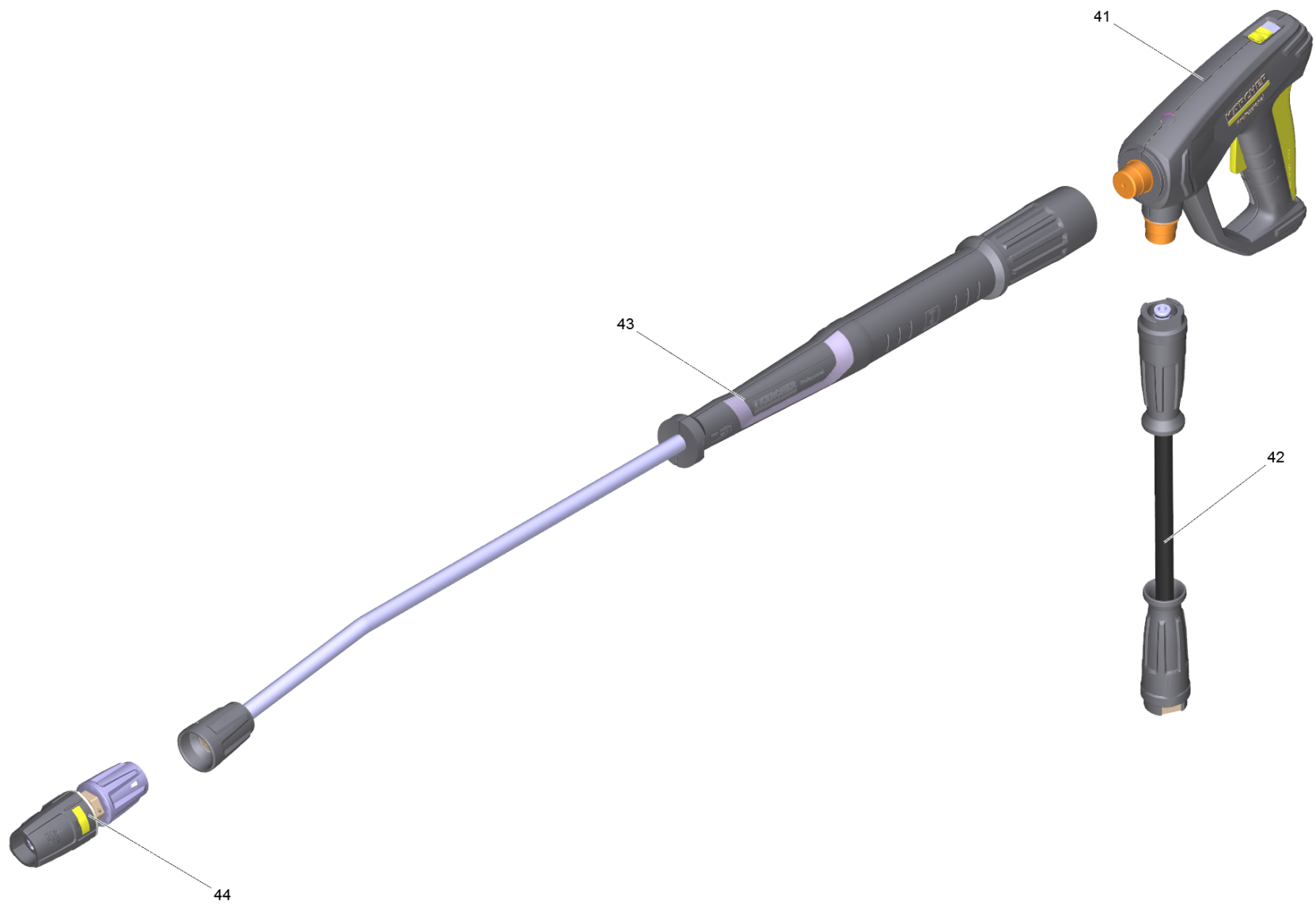
<b>POS</b>	<b>Article no.</b>	<b>Description</b>	<b>Quantity</b>	<b>Unit</b>
1	4.747-113.0	Level probe fuel only for replacement	1.000	ST
2	4.747-112.0	Level probe cleaning agents only for rep	1.000	ST
3	4.063-888.0	Proportioning valve chemistry	1.000	ST
4	6.388-559.0	Hose clip	2.000	ST
5	5.132-195.0	Plug aspiration chemistry	1.000	ST
6	6.391-341.0	Hose chemistry DN 6	1.000	M
7	5.731-638.0	Filter with weight	1.000	ST



## 90 Safety system

---

POS	Article no.	Description	Quantity	Unit
1	2.885-252.0	Reed switch replacement	1.000	ST
2	5.411-536.0	Screw plug M10x1	1.000	ST
3	2.640-729.0	O-Ring seal set	1.000	ST
4	5.305-162.0	Shaped screw	1.000	ST
5	6.362-482.0	O-Ring seal 10 x 1,5-NBR 70	1.000	ST
7	4.551-058.0	Cartridge protection against water short	1.000	ST
8	5.041-076.0	Clamp	1.000	ST
9	6.303-122.0	M4 .2X13 DIN 7981 TORX T15 PAN HD HI/LO	1.000	ST
10	6.414-566.0	Strainer WMS	1.000	ST
11	4.037-013.0	Hook	1.000	ST
12	4.427-354.0	Manifold complete	1.000	ST





## 100 Accessories

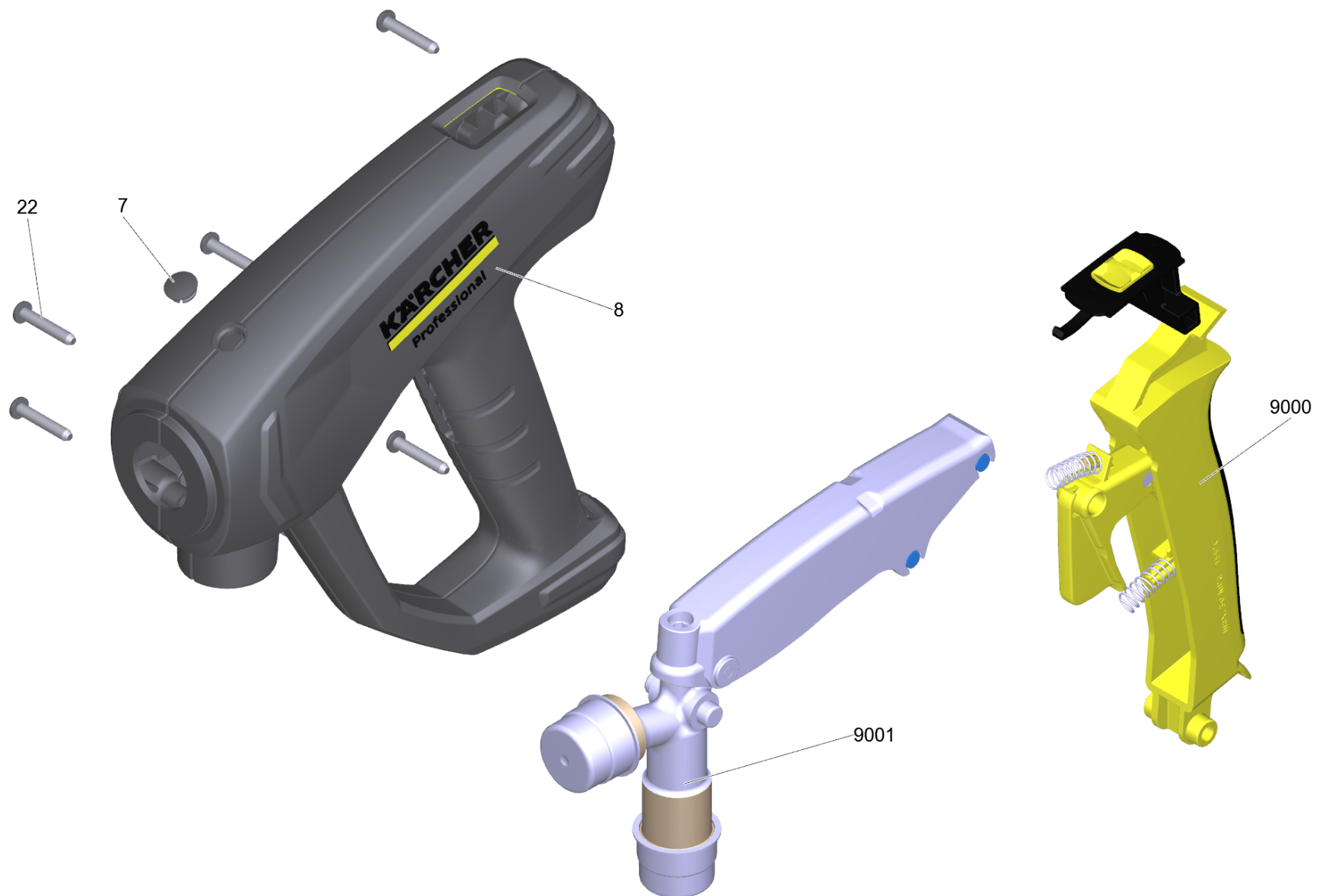
---

<b>POS</b>	<b>Article no.</b>	<b>Description</b>	<b>Quantity</b>	<b>Unit</b>
41	4.118-005.0	EASY!Force Advanced	1.000	ST
42	6.110-035.0	Hose assembly TR rotatable DN6 25MPa 10m	1.000	ST
43	4.112-006.0	Jet pipe TR 840 mm	1.000	ST
44	4.117-029.0	Triple jet nozzle TR 034	1.000	ST

41 EASY!Force Advanced (4.118-005.0)

---

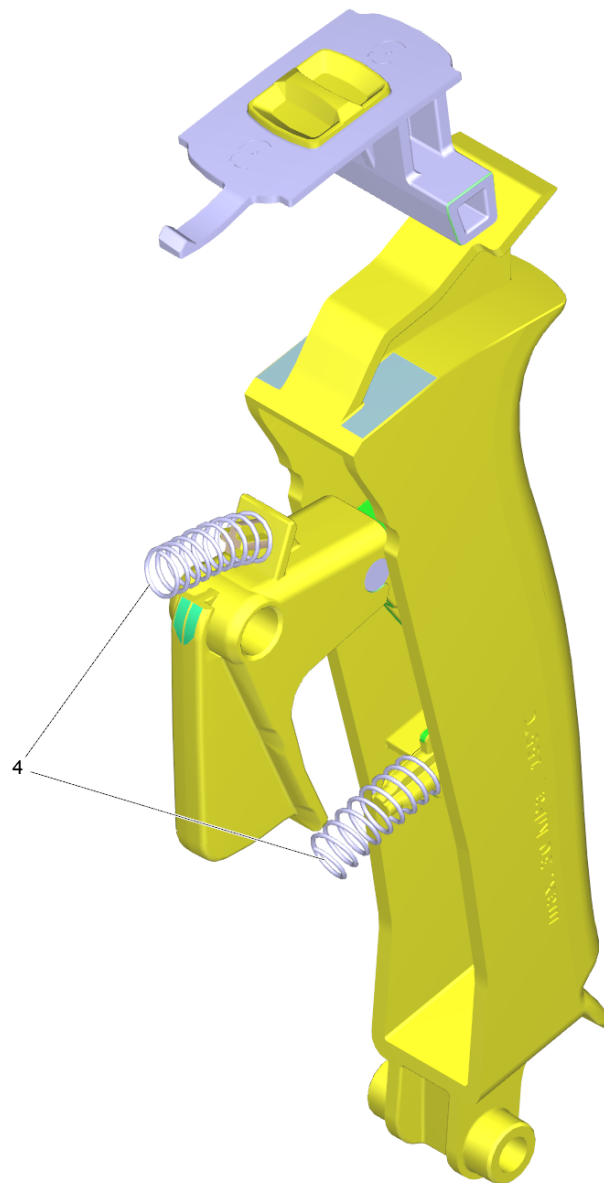
POS	Description	Quantity	Unit
1	Hand trigger gun TR EH 155	1.000	ST



## 1 Hand trigger gun TR EH 155

---

POS	Article no.	Description	Quantity	Unit
7	5.132-001.0	Plug	1.000	ST
8	5.321-136.3	Handhold few EH 155 only for replacement	1.000	ST
22	7.303-096.0	Screw 4x22 -ST-10.9-R2R (IN6RD)	7.000	ST
9000	2.885-483.0	Spare part set lever	1.000	ST
9001	4.427-014.0	Manifold TR EH 155 nur fuer Ersatz	1.000	ST



9000 Spare part set lever (2.885-483.0)

---

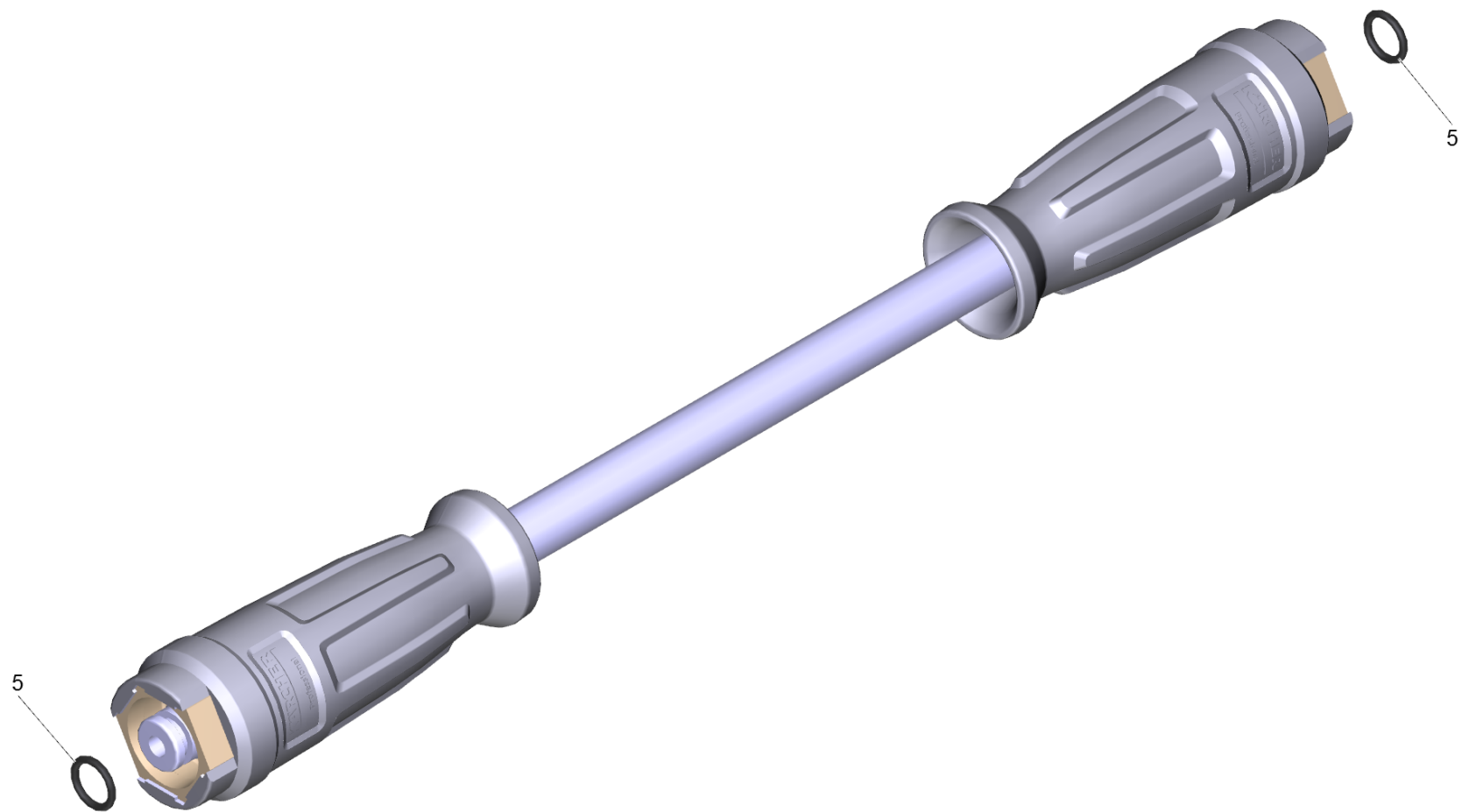
<b>POS</b>	<b>Article no.</b>	<b>Description</b>	<b>Quantity</b>	<b>Unit</b>
4	5.332-032.0	Helical spring	2.000	ST

42 Hose assembly TR rotatable DN6 25MPa 10m (6.110-035.0)

---

<b>POS</b>	<b>Description</b>	<b>Quantity</b>	<b>Unit</b>
1	Hose assembly TR rotatable DN6 25MPa 10m	1.000	ST

---





1 Hose assembly TR rotatable DN6 25MPa 10m

---

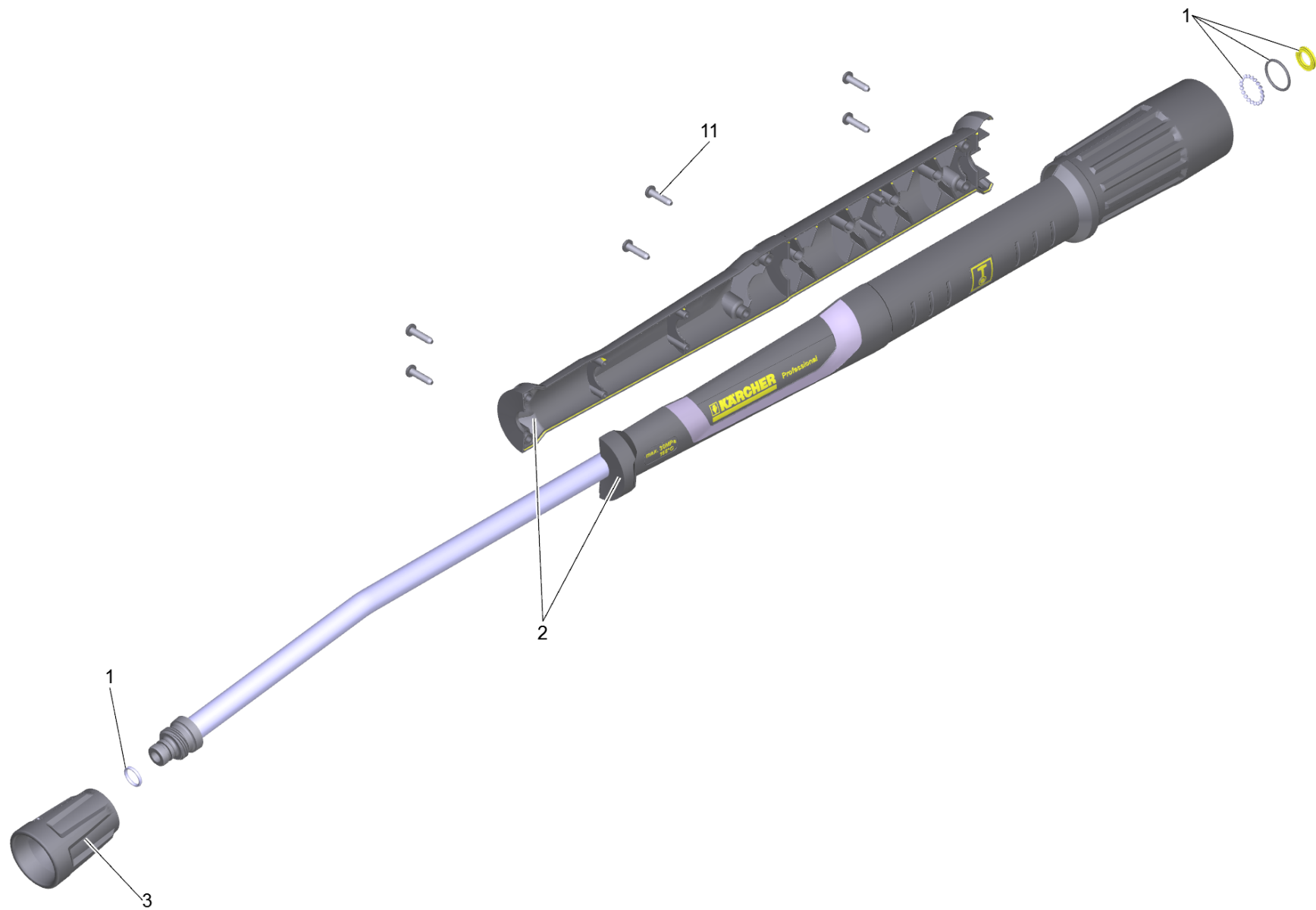
<b>POS</b>	<b>Article no.</b>	<b>Description</b>	<b>Quantity</b>	<b>Unit</b>
5	2.880-154.0	O-Ring kit	1.000	ST

---

43 Jet pipe TR 840 mm (4.112-006.0)

---

POS	Description	Quantity	Unit
1	Jet pipe TR 840 mm	1.000	ST



## 1 Jet pipe TR 840 mm

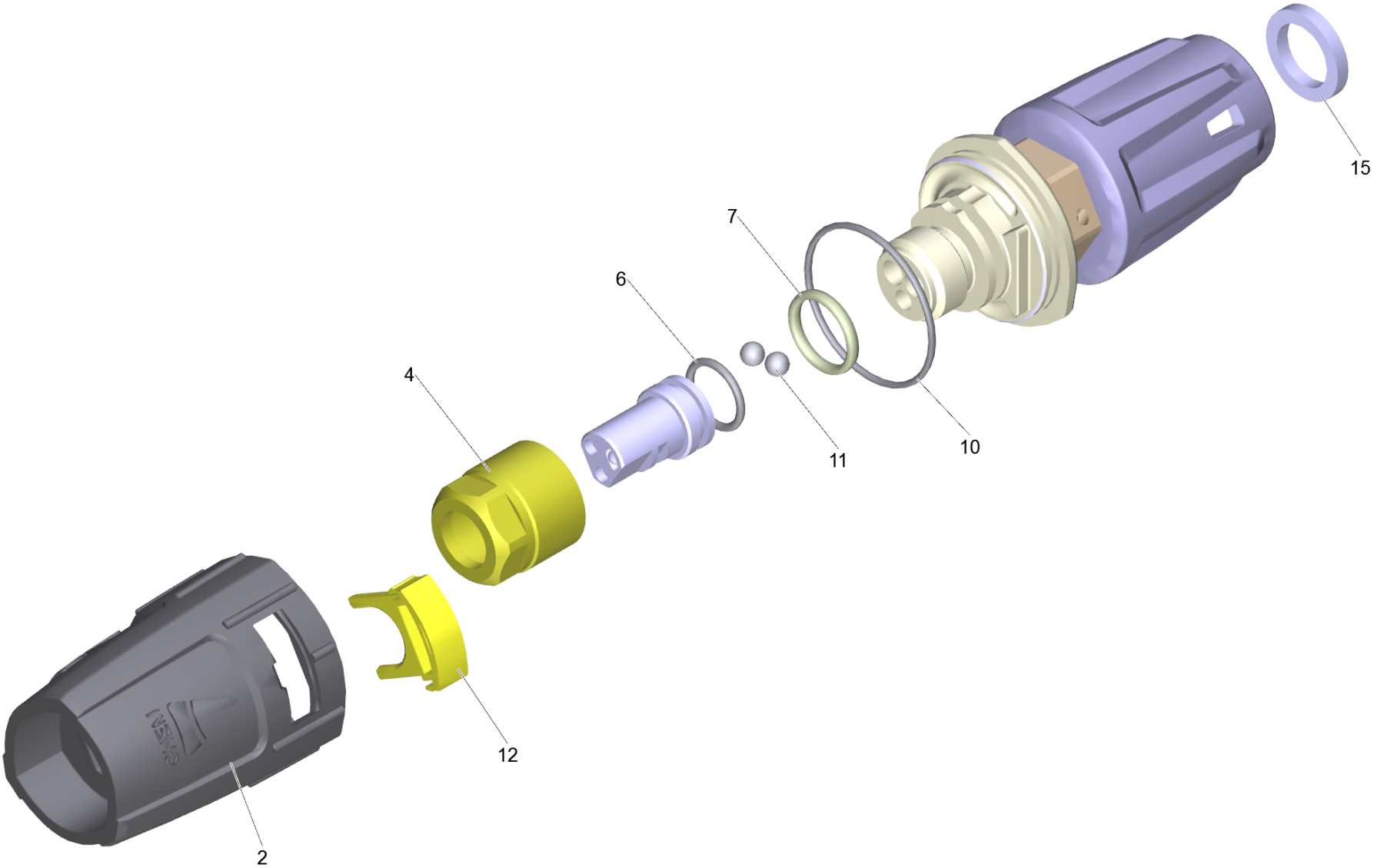
---

<b>POS</b>	<b>Article no.</b>	<b>Description</b>	<b>Quantity</b>	<b>Unit</b>
1	4.100-688.0	Spare part set seal TR	1.000	ST
2	5.321-018.3	Handle bowl jet pipe only for replacemen	1.000	ST
3	4.112-011.0	Protection part TR only for replacement	1.000	ST
11	7.303-129.0	Screw 4x16 -10.9-R2R (K-In6Rd)	6.000	ST

44 Triple jet nozzle TR 034 (4.117-029.0)

---

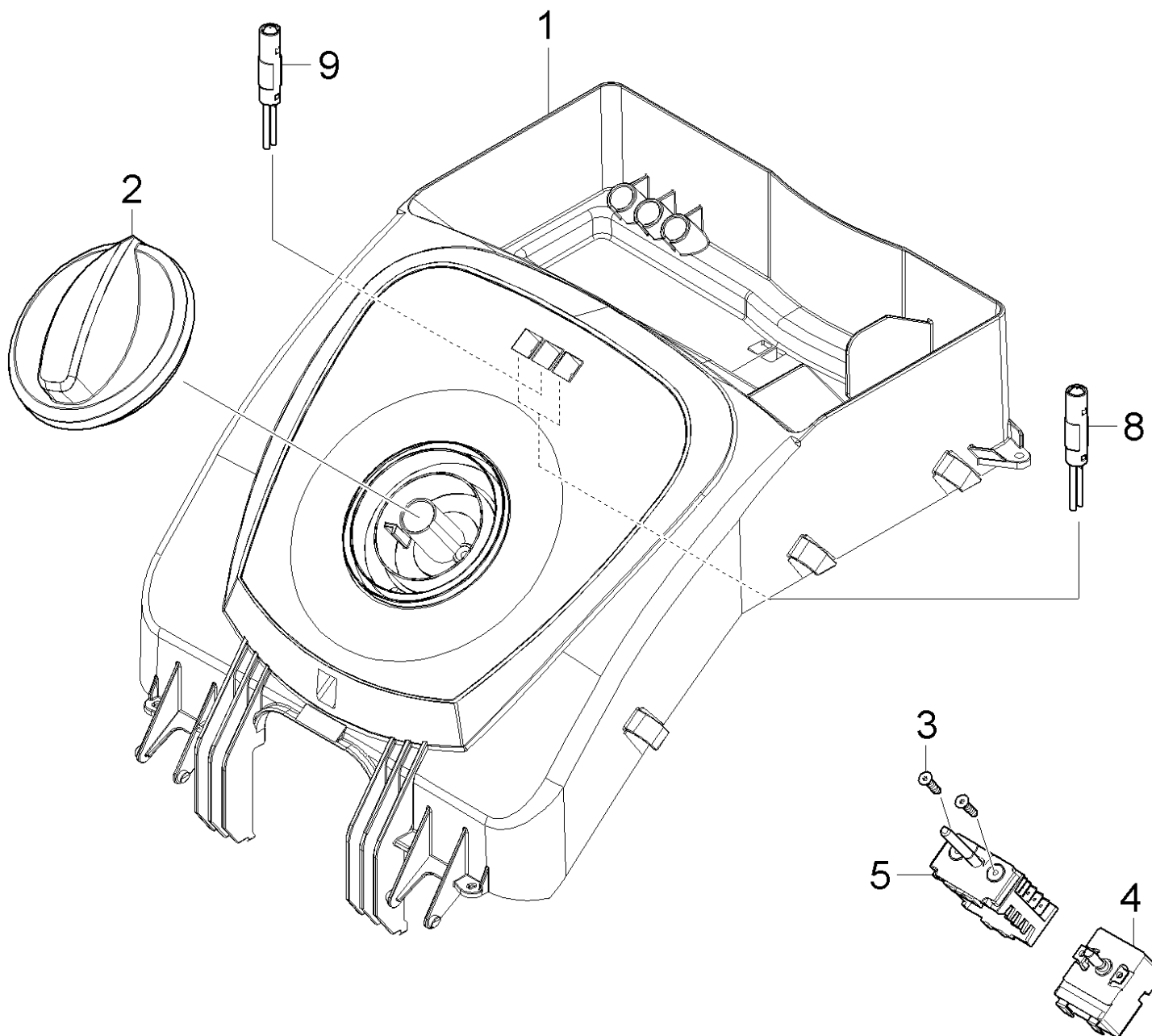
POS	Description	Quantity	Unit
1	Triple jet nozzle TR 034	1.000	ST



## 1 Triple jet nozzle TR 034

---

<b>POS</b>	<b>Article no.</b>	<b>Description</b>	<b>Quantity</b>	<b>Unit</b>
2	5.394-859.0	Protection part	1.000	ST
4	5.311-225.0	Nut	1.000	ST
6	6.362-480.0	O-Ring seal 12,42x 1,78	1.000	ST
7	6.362-460.0	O-Ring seal 14,0 X 2,5-NBR 70	1.000	ST
10	6.362-409.0	O-Ring seal 32,0 X 1,5	1.000	ST
11	7.401-902.0	Sphere 5 G20 -1.4034 DIN 5401	2.000	ST
12	5.321-884.0	Clamp	1.000	ST
15	6.363-696.0	Brake ring 14x20x3	1.000	ST

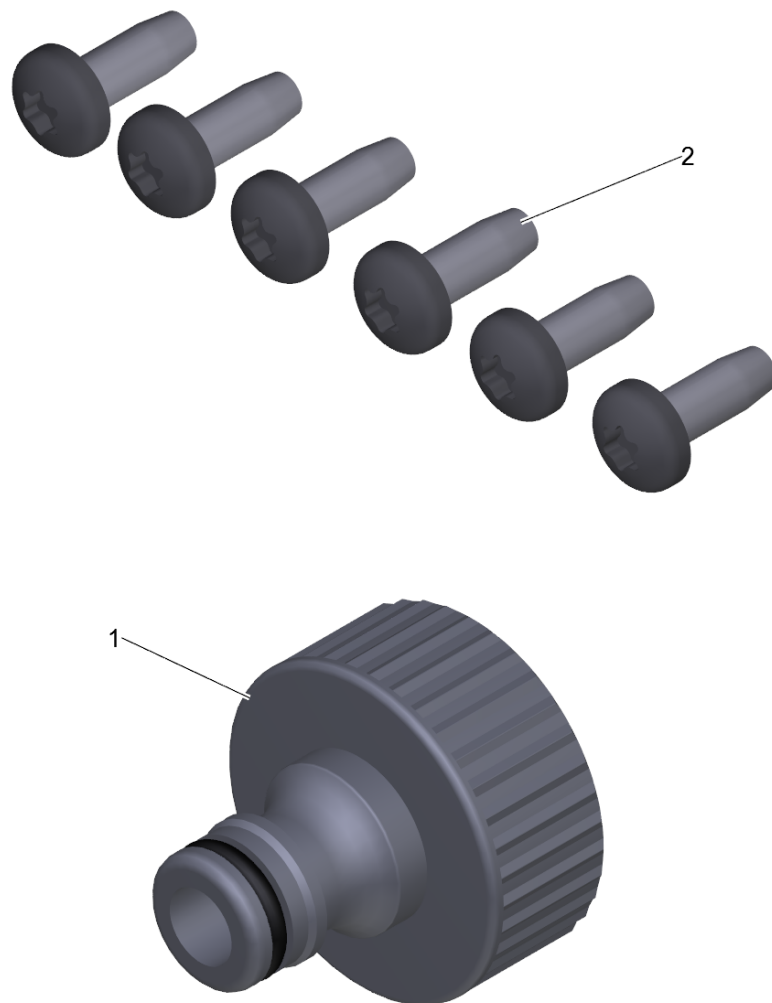




## 110 Control panel

---

<b>POS</b>	<b>Article no.</b>	<b>Description</b>	<b>Quantity</b>	<b>Unit</b>
1	4.841-275.0	Control panel complete only for replacem	1.000	ST
2	5.324-146.0	Handle	1.000	ST
3	7.305-019.0	Countersunk screw M4x16 -8.8-R2R (In6Rd	2.000	ST
4	4.686-021.0	Thermostat complete only for replacement	1.000	ST
5	4.630-003.0	Rotary switch only for replacement	1.000	ST
8	6.651-675.0	Pilot lamp 230 V; rot	2.000	ST
9	6.651-676.0	Pilot lamp 230 V; gruen	1.000	ST



## 120 Set mounting parts

---

<b>POS</b>	<b>Article no.</b>	<b>Description</b>	<b>Quantity</b>	<b>Unit</b>
1	6.645-216.0	Tap adaptor complete G1"	1.000	ST
2	7.303-047.0	Screw M6x16 -St-R3R (In6Rd)	6.000	ST