

Spare parts list

(1.324-400.0) K 5 WCM *EU

Table of contents

K 5 WCM *EU (1.324-400.0)	3
10 G 180 Q Trigger gun Quick Connect (2.642-889.0)	5
12 VP 145 Vario Power Jet (packaged) (2.642-725.0)	7
14 DB 145 rotor nozzle packaged (2.642-728.0)	9
109 Pump set cpl. K5 WCM	11
10 Motor complete for replacement K5 NCR *EU (4.100-707.0)	13
5 Motor complete K5 NCR H85 WCM3.5	15
110 Thrust guidance complete (9.013-340.0)	17
120 Pump cpl. K5 PC	19
1 Cylinder head cpl. TPump (9.002-619.0)	21
2 Housing cpl. K5 WCM (9.013-873.3)	23
140 Suction connection with filter cpl. (4.101-098.0)	25
150 High-pressure outlet K4 NCR (9.013-623.3)	26
170 Electrical box complete WCM SC JB (9.013-863.3)	28
118 Hose Detergent Compact NCR	30
902 H 9 Q high pressure hose Quick Connect (2.641-721.0)	32

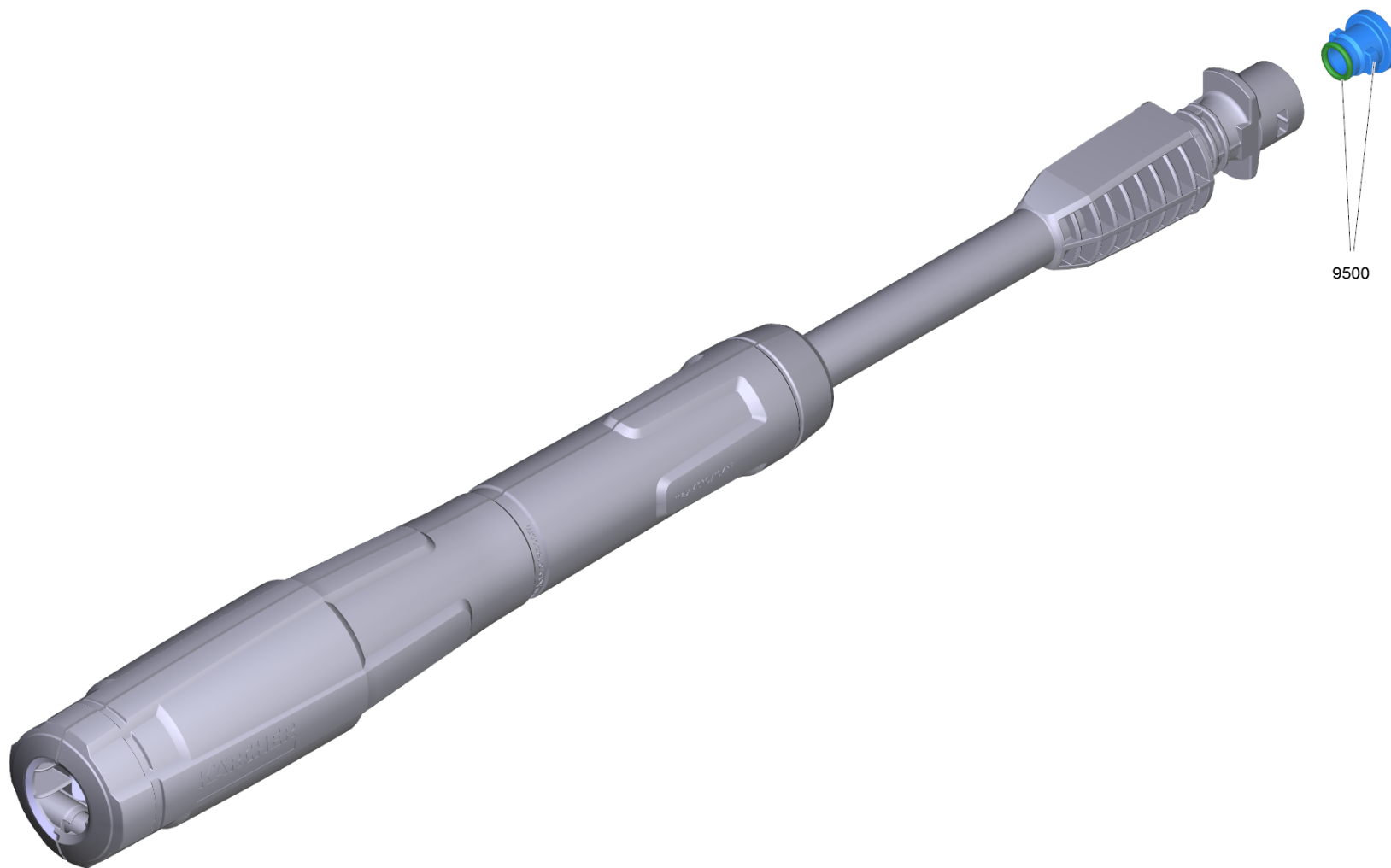
K 5 WCM *EU (1.324-400.0)

POS	Article no.	Description	Quantity	Unit
6	2.645-010.0	Tap adaptor for inhouse fittings	1	PC
10	2.642-889.0	G 180 Q Trigger gun Quick Connect	1	PC
12	2.642-725.0	VP 145 Vario Power Jet (packaged)	1	PC
14	2.642-728.0	DB 145 rotor nozzle packaged	1	PC
51	5.387-620.0	Warning sign new	1	PC
105	4.101-099.0	Spare parts set retainer pump	2	PC
109		Pump set cpl. K5 WCM	1	PC
110	9.037-693.0	Handhold switch	1	PC
111	9.038-773.3	Housing rear K4&K5 WCM	1	PC
112	4.101-100.0	Housing front cpl. K5 WCM	1	PC
115	4.101-101.0	Hand grip cpl.	1	PC
116	5.039-600.3	Holder pistol black (PFR)	1	PC
118		Hose Detergent Compact NCR	1	PC
123	9.086-221.0	Screw ATF 4.1x22	10	PC
126	9.038-774.3	Bumper K4&K5 WCM	1	PC
127	9.038-443.0	Wheel FC 1K D160	2	PC
128	5.039-601.0	Holder for hose and cable (MR) s./b.	1	PC
132	9.038-781.3	Holder jet pipe double WCM	1	PC
900	9.038-444.0	Yellow cover FC 1K wheel D160	2	PC
901	9.038-446.0	Plastic axle wheel D160 FC	2	PC
902	2.641-721.0	H 9 Q high pressure hose Quick Connect	1	PC



10 G 180 Q Trigger gun Quick Connect (2.642-889.0)

POS	Article no.	Description	Quantity	Unit
1	5.332-464.0	Pressure spring	1	PC



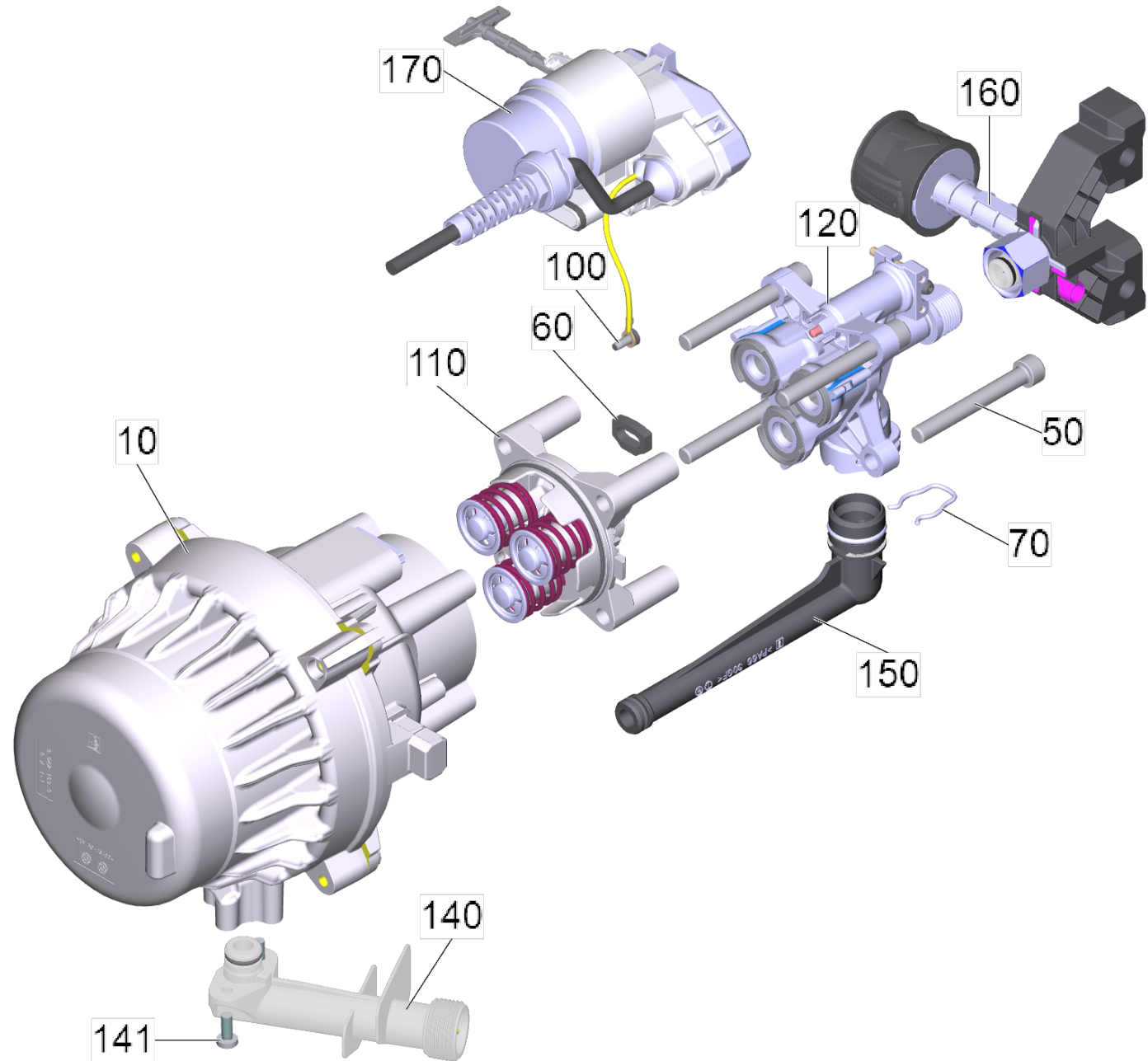
12 VP 145 Vario Power Jet (packaged) (2.642-725.0)

POS	Article no.	Description	Quantity	Unit
9500	2.640-729.0	O-Ring seal set	1	PC



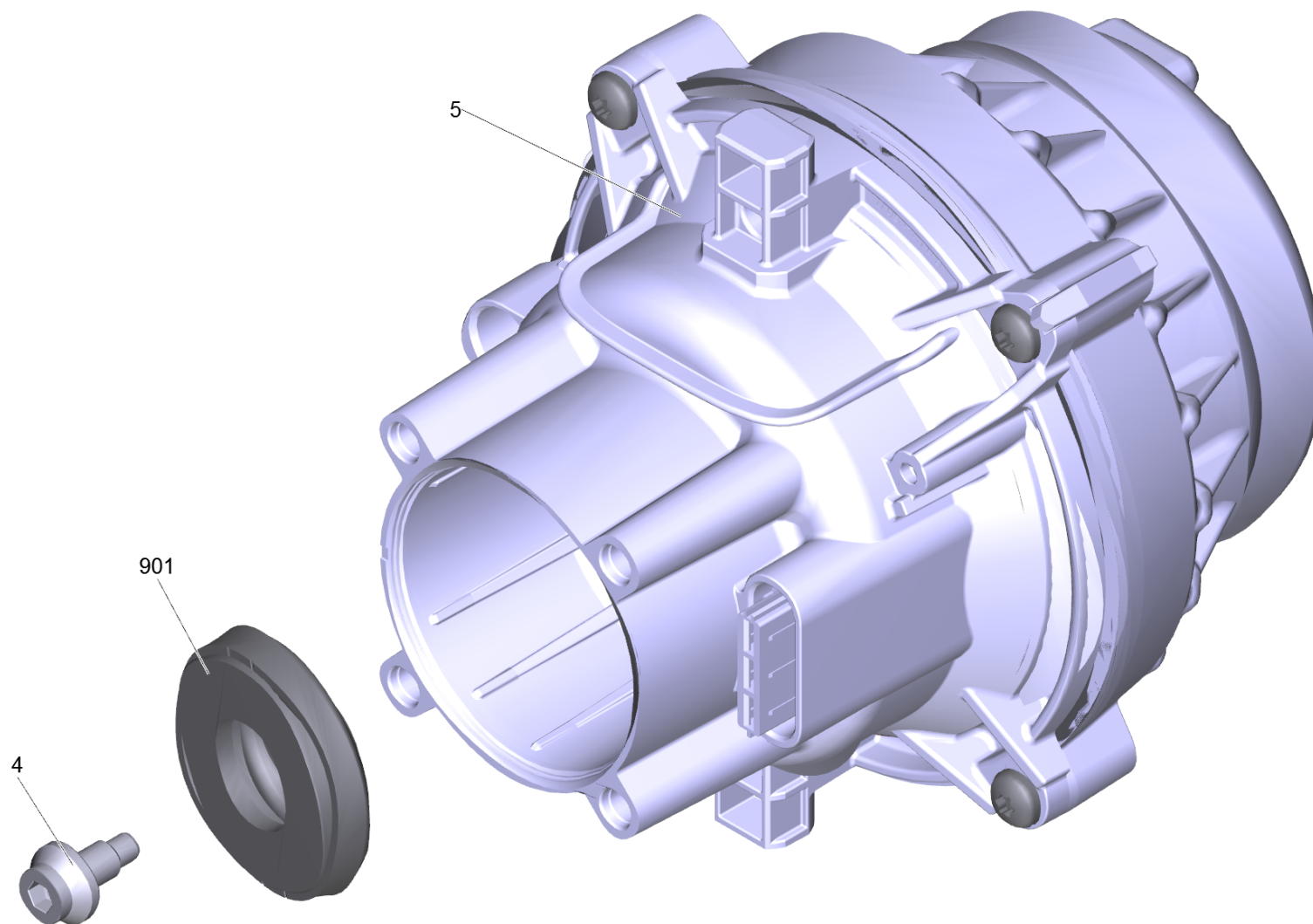
14 DB 145 rotor nozzle packaged (2.642-728.0)

POS	Article no.	Description	Quantity	Unit
9500	2.640-729.0	O-Ring seal set	1	PC



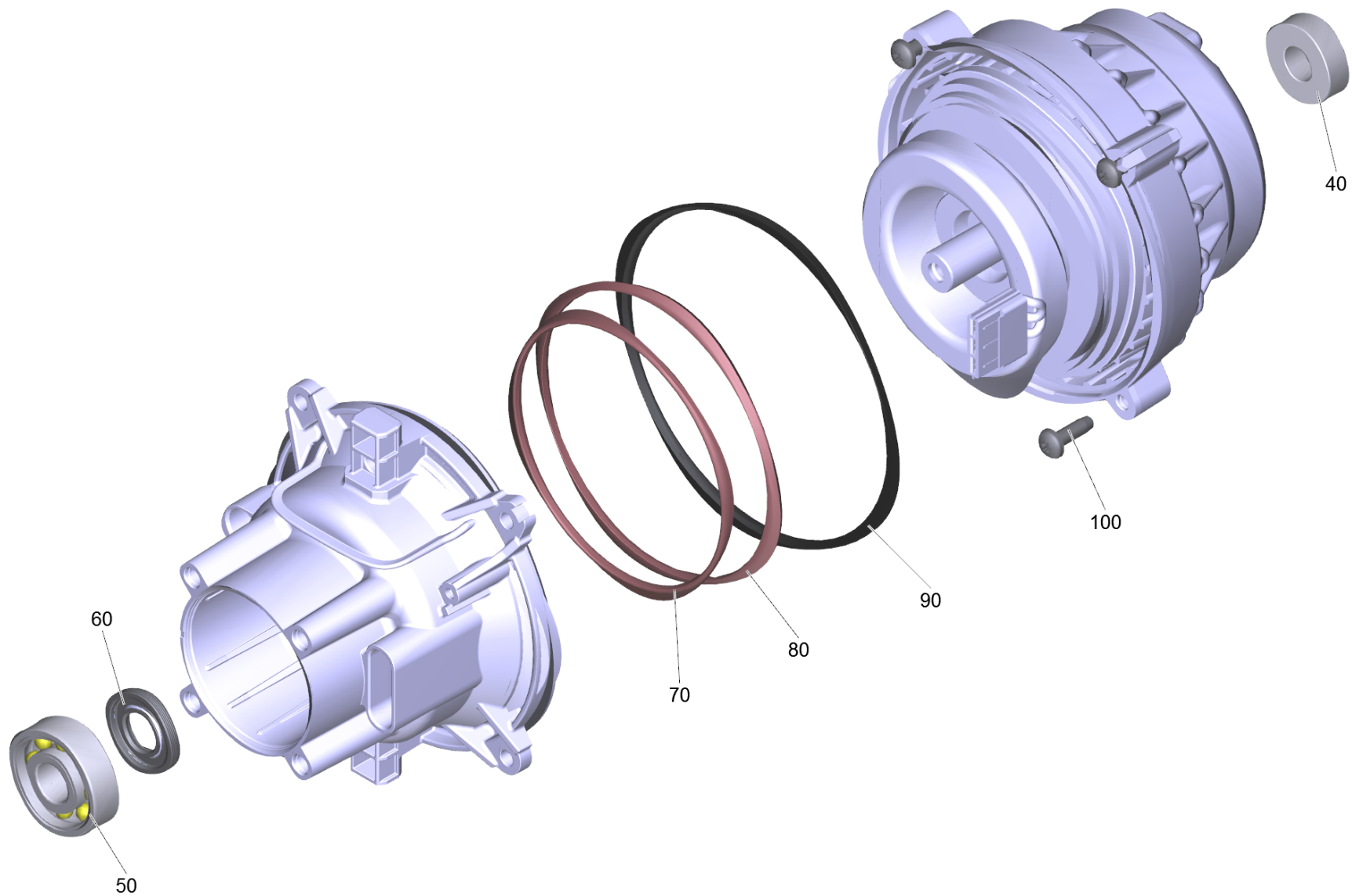
109 Pump set cpl. K5 WCM

POS	Article no.	Description	Quantity	Unit
10	4.100-707.0	Motor complete for replacement K5 NCR *EU	1	PC
50	7.306-151.0	Cylinder head screw M8x65 -8.8-A2E ISO4	4	PC
60	9.048-071.0	Spacer - Seal	1	PC
70	5.048-915.0	Clamp	1	PC
100	9.086-218.0	Screw M4X10 TORX T20 TAP-TITE THREAD	1	PC
110	9.013-340.0	Thrust guidance complete	1	PC
120		Pump cpl. K5 PC	1	PC
140	4.101-098.0	Suction connection with filter cpl.	1	PC
141	7.306-394.0	Screw M5x12 -8.8-ZNBHL ISO 14583	2	PC
150	9.013-623.3	High-pressure outlet K4 NCR	1	PC
160	9.002-412.0	outlet fitting K5 AI (spare)	1	PC
170	9.013-863.3	Electrical box complete WCM SC JB	1	PC



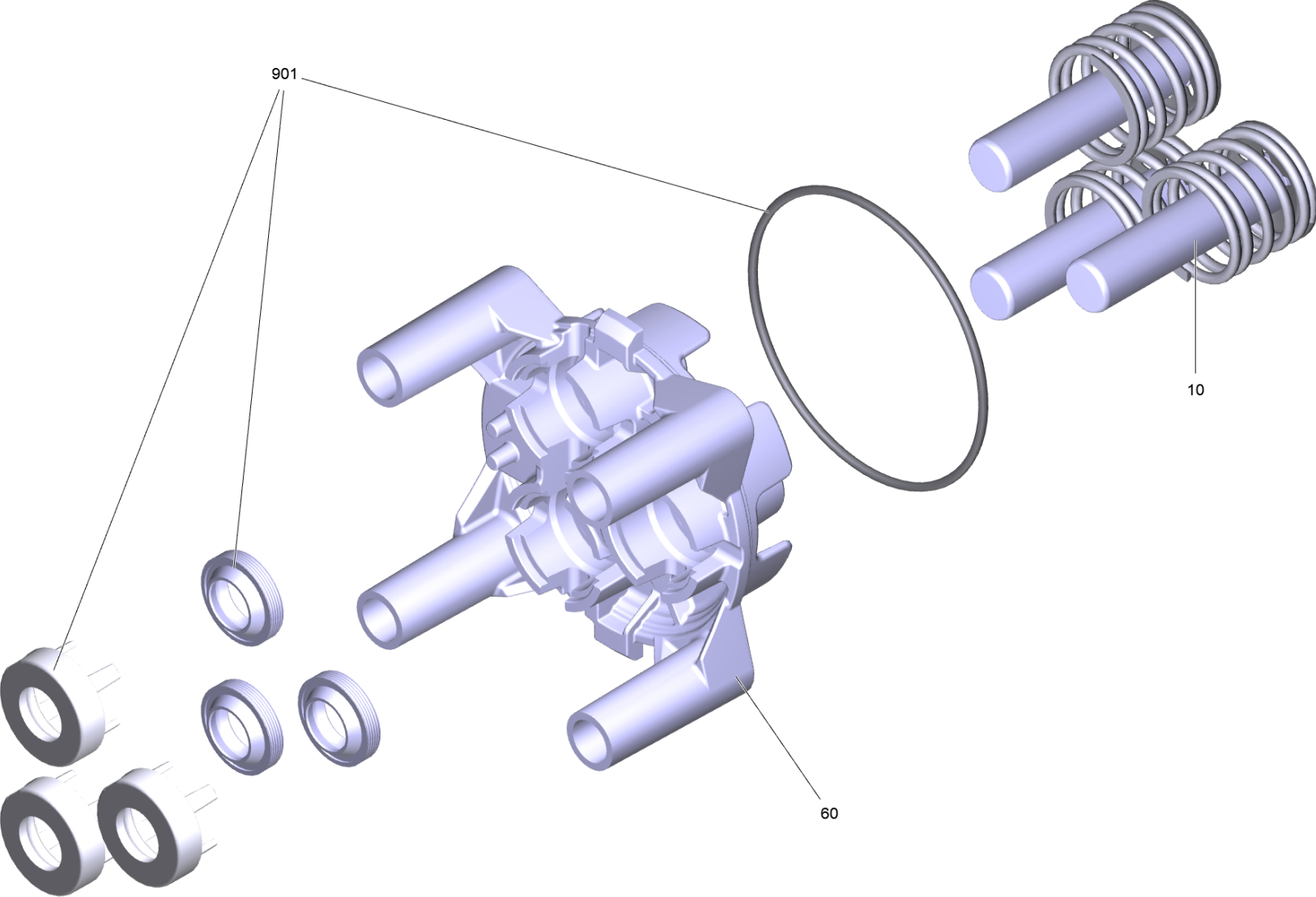
10 Motor complete for replacement K5 NCR *EU (4.100-707.0)

POS	Article no.	Description	Quantity	Unit
4	9.086-233.0	Screw wobble plate	1	PC
5		Motor complete K5 NCR H85 WCM3.5	1	PC
901	9.001-671.0	Wobble plate	1	PC



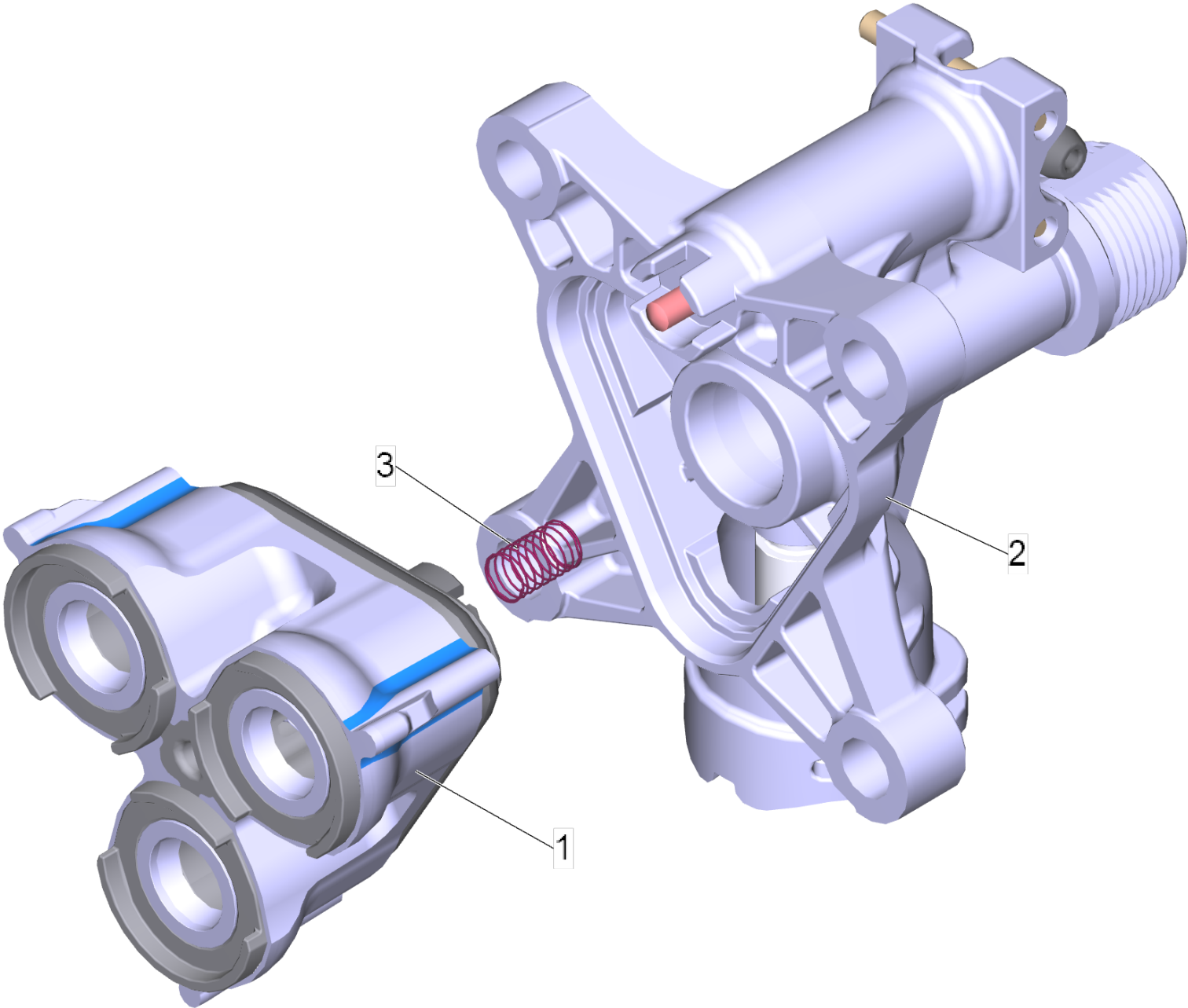
5 Motor complete K5 NCR H85 WCM3.5

POS	Article no.	Description	Quantity	Unit
40	4.401-198.0	Ball bearing 6202-2RS -Wälzl.St DIN 625	1	PC
50	7.401-010.0	Ball bearing 6303 St DIN 625-1	1	PC
60	9.078-021.0	Grooved ring 17x35x5	1	PC
70	9.080-503.0	O-ring d.113,0x3.0 EPDM 70	1	PC
80	9.080-504.0	O-Ring seal 124x3 EPDM 70	1	PC
90	9.080-505.0	O-Ring seal 142.2x3 EPDM 70	1	PC
100	7.306-092.0	Screw M6x20-ST- 8.8-R3R (IN6RD)	4	PC



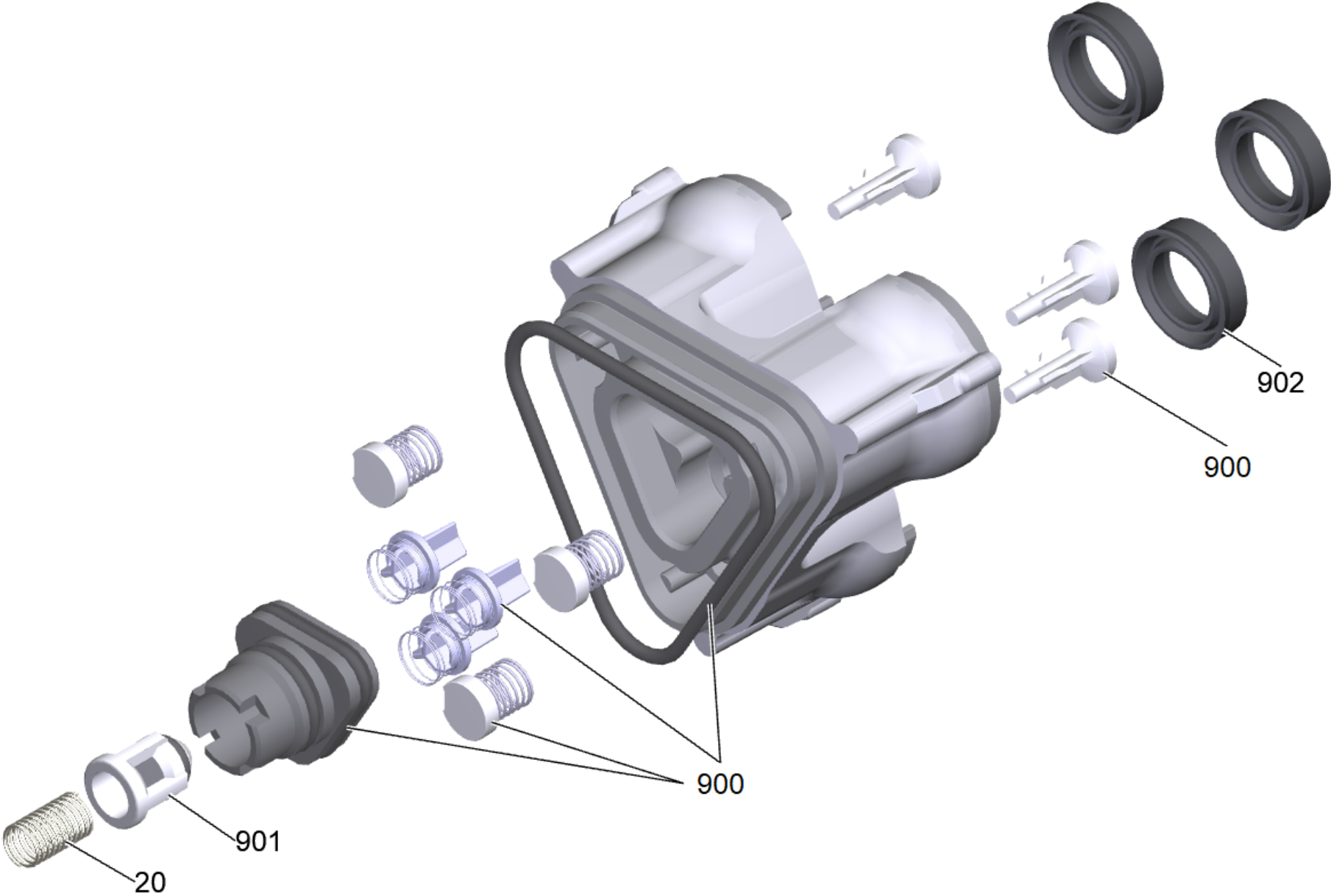
110 Thrust guidance complete (9.013-340.0)

POS	Article no.	Description	Quantity	Unit
10	9.001-927.0	Piston complete	1	PC
60	9.042-149.0	Thrust guidance	1	PC
901	4.100-832.0	Spare parts set seals	1	PC



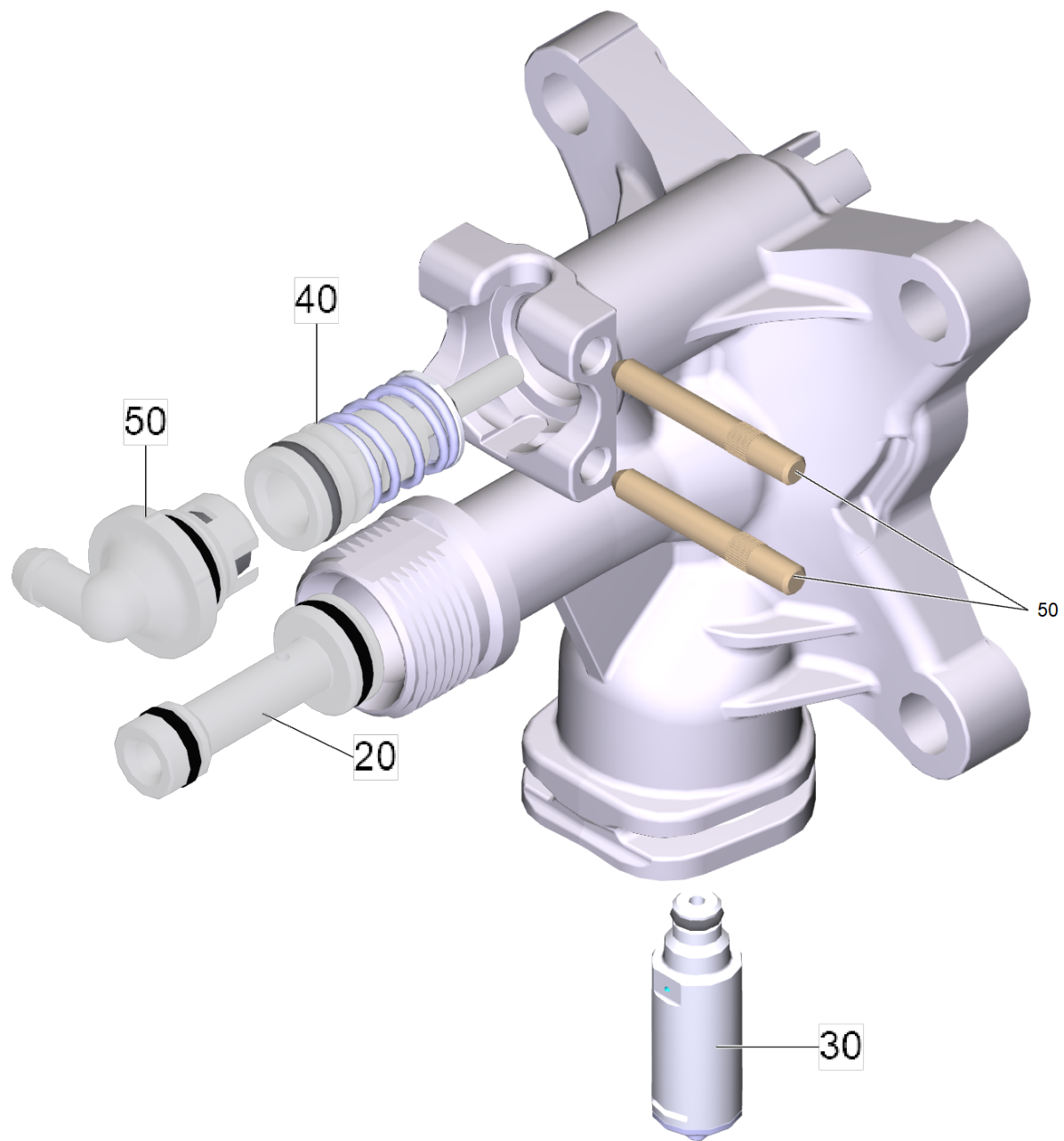
120 Pump cpl. K5 PC

POS	Article no.	Description	Quantity	Unit
1	9.002-619.0	Cylinder head cpl. TPump	1	PC
2	9.013-873.3	Housing cpl. K5 WCM	1	PC
3	9.047-026.0	Spring	1	PC



1 Cylinder head cpl. TPump (9.002-619.0)

POS	Article no.	Description	Quantity	Unit
20	9.047-026.0	Spring	1	PC
900	4.100-830.0	Spare parts set valves	1	PC
901	9.001-107.0	Cage complete	1	PC
902	4.100-832.0	Spare parts set seals	1	PC

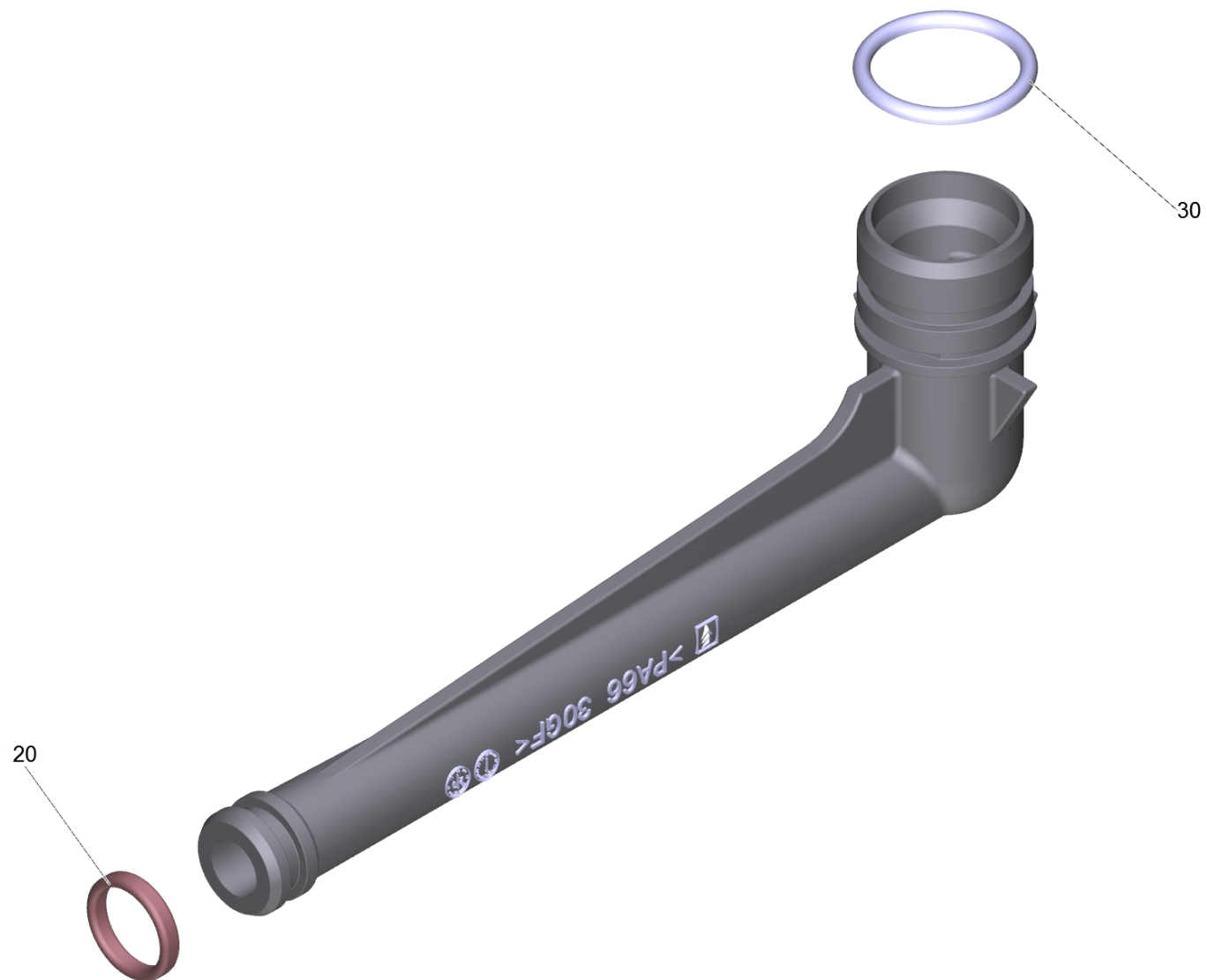


2 Housing cpl. K5 WCM (9.013-873.3)

POS	Article no.	Description	Quantity	Unit
20	9.013-794.3	Venturi nozzle replacement TPump	1	PC
30	4.580-801.3	Safety valve complete brown (SV5/R5)	1	PC
40	9.013-715.3	Pressure piston replacement TPump	1	PC
50	9.002-618.0	Kit cpl. RAD TPump	1	PC

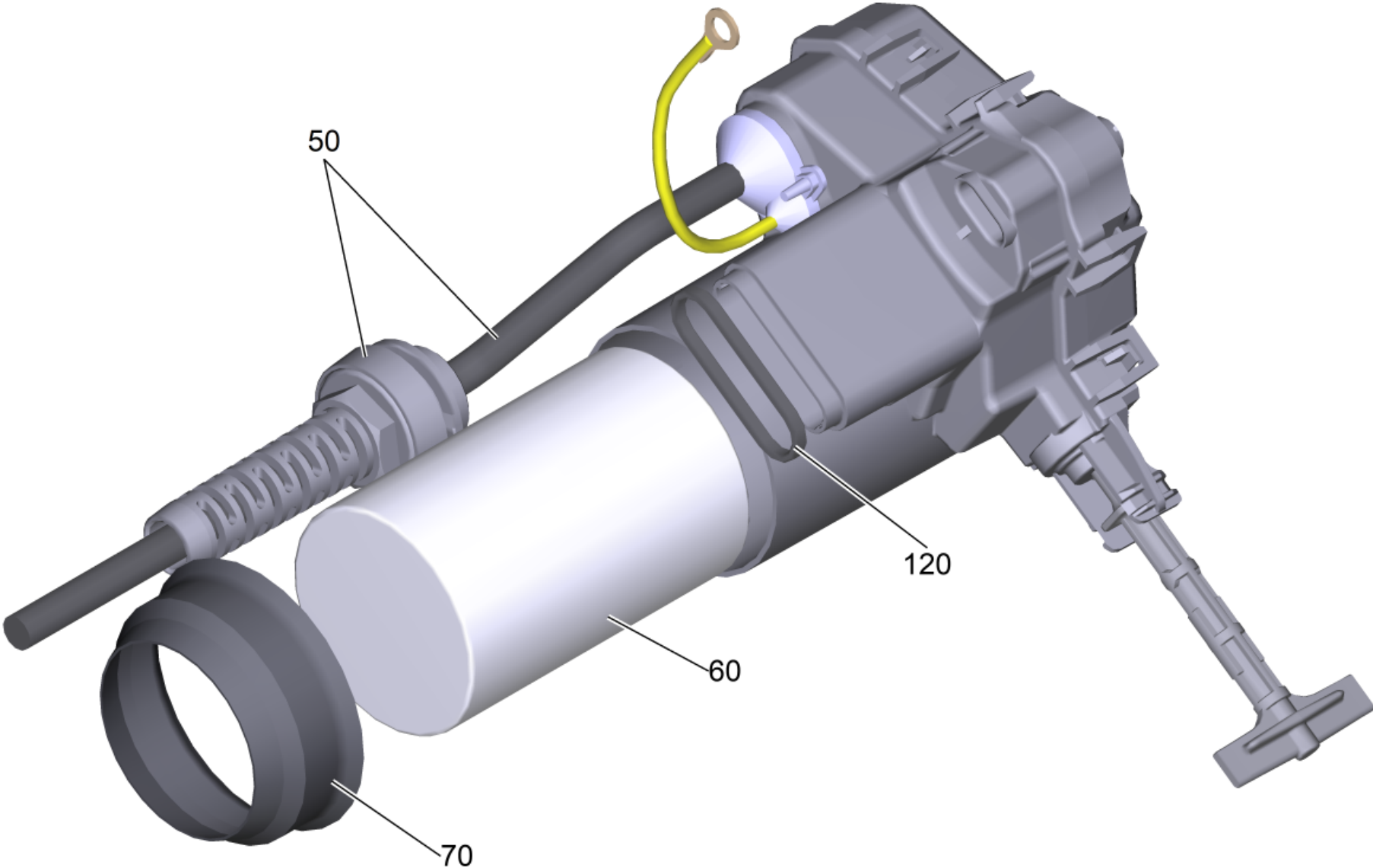
140 Suction connection with filter cpl. (4.101-098.0)

POS	Article no.	Description	Quantity	Unit
1	5.731-598.0	Fine filter long	1	PC



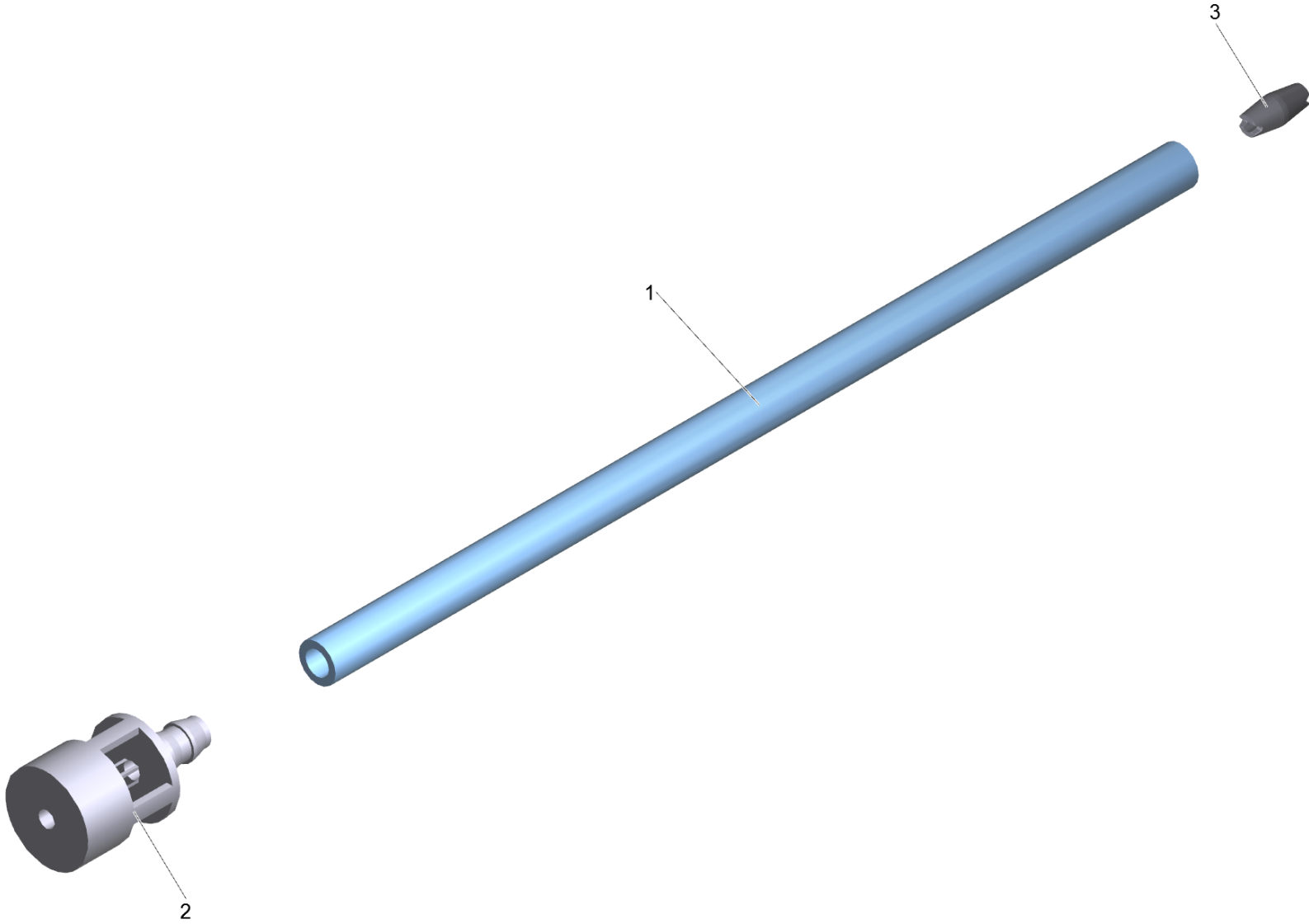
150 High-pressure outlet K4 NCR (9.013-623.3)

POS	Article no.	Description	Quantity	Unit
20	9.080-513.0	OR 12x2.1 EPDM 70 perox	1	PC
30	9.080-001.0	O-Ring 16x2,7 EPDM 50 Shore	1	PC



170 Electrical box complete WCM SC JB (9.013-863.3)

POS	Article no.	Description	Quantity	Unit
50	9.084-369.3	Power cable 3G1 FC EU	1	PC
60	9.085-095.0	Capacitor 32uF	1	PC
70	9.080-465.0	Joint ring capacitor d.45, 70 Shore	1	PC
120	9.080-494.0	OR 20x2 EPDM70ShA PTFE	1	PC



118 Hose Detergent Compact NCR

POS	Article no.	Description	Quantity	Unit
1	6.388-216.0	Hose DN 5 (PVC)	0,75	m
2	5.731-652.0	Filter with weight	1	PC
3	9.038-548.0	Flow reducer detergent	1	PC



902 H 9 Q high pressure hose Quick Connect (2.641-721.0)

POS	Article no.	Description	Quantity	Unit
999	2.640-729.0	O-Ring seal set	1	PC