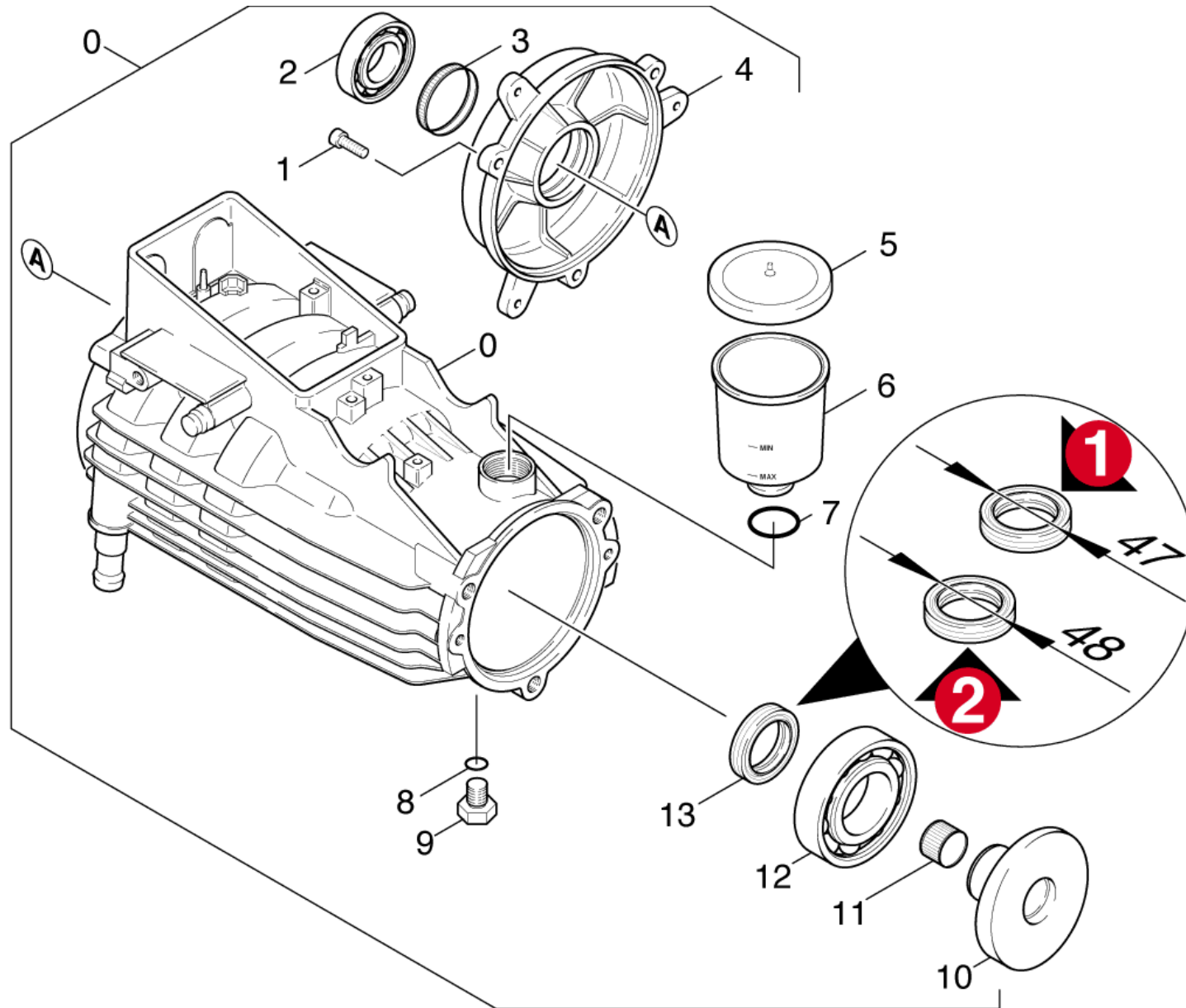


32 Bearing

Professional \ High pressure cleaner hotwater \ Electric motor \ HDS 695 *EU \ Spare parts list HDS 695 \ Motor \ Bearing



32 Bearing

Professional \ High pressure cleaner hotwater \ Electric motor \ HDS 695 *EU \ Spare parts list HDS 695 \ Motor \ Bearing

| POS | Article no. | Description | Quantity | Unit | Remark |
|-----|-------------|---|----------|------|-----------|
| 2 | 7.401-126.0 | Ball bearing 6204-2Z -Wälzl.St DIN 625 | 1 | PC | |
| 12 | 7.401-035.0 | Ball bearing 7307B-TN DIN 628 | 1 | PC | |
| 6 | 5.070-048.0 | Box | 1 | PC | |
| 4 | 5.063-444.0 | Cover | 1 | PC | |
| 5 | 5.064-459.0 | Cover grey | 1 | PC | |
| 0 | 4.623-202.0 | Motor complete | 1 | PC | |
| 8 | 6.362-528.0 | O-Ring seal 9,5 X 2,0 | 1 | PC | |
| 7 | 6.362-168.0 | O-Ring seal 22,3 X 2,4-NBR 70 | 1 | PC | |
| 13 | 7.367-017.0 | Radial shaft seal ring A28x47x7-NBR DIN | 1 | PC | VERSION 1 |
| 13 | 7.367-007.0 | Radial shaft seal ring A28x48x8 -NBR DI | 1 | PC | VERSION 2 |
| 1 | 7.303-048.0 | Screw M6x20 -St-R3R (In6Rd) | 3 | PC | |
| 9 | 5.411-102.0 | Screw plug | 1 | PC | |
| 3 | 6.343-171.0 | Tolerance ring | 1 | PC | |
| 11 | 6.343-024.0 | Tolerance ring | 1 | PC | |
| 10 | 5.120-198.0 | Wobble plate | 1 | PC | |