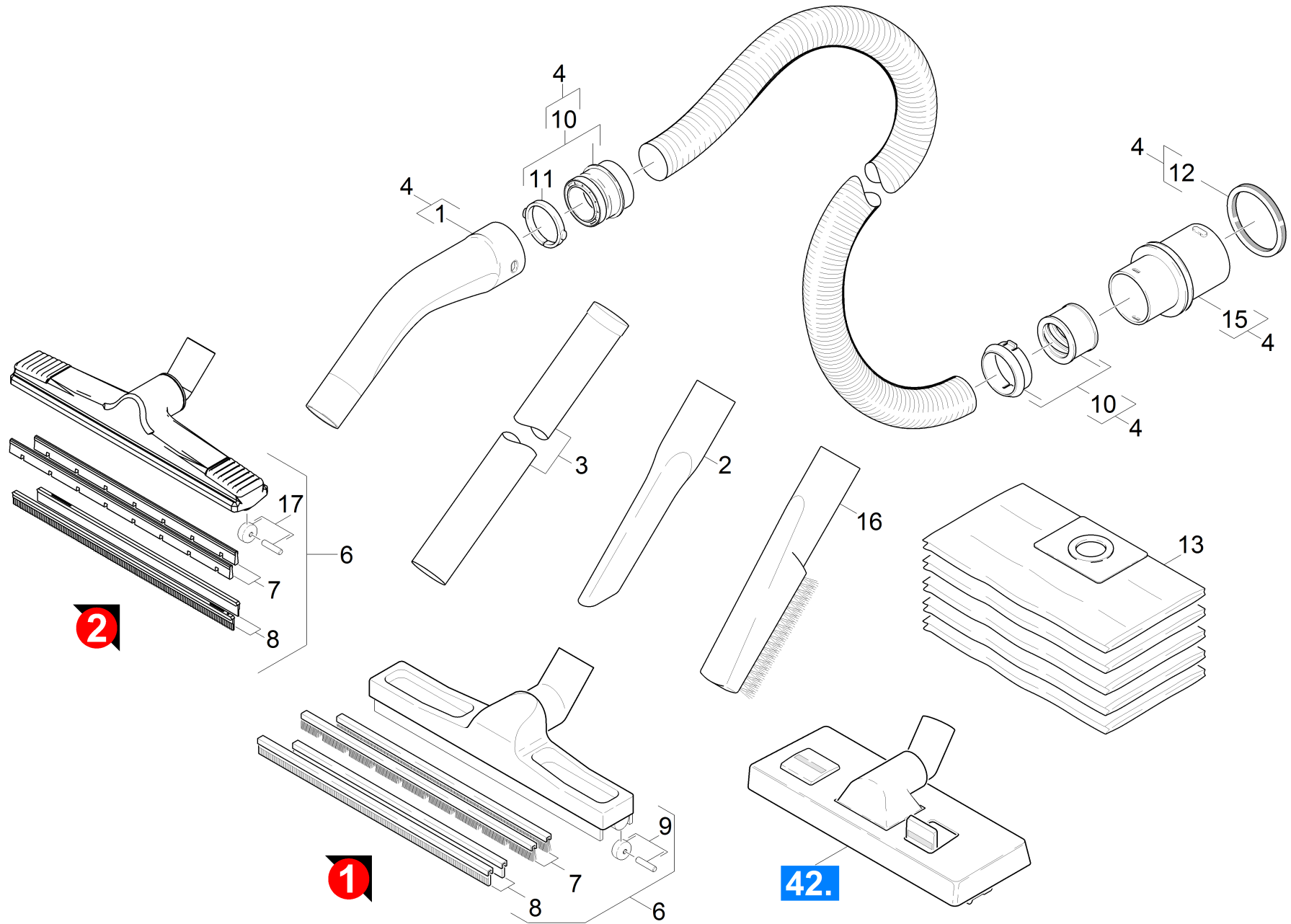


# 41 Accessories

Professional \ Vacuum cleaner \ Wet-/dry vacuum cleaner \ NT 27/1 Me Adv \*EU \ Spare parts list NT 27/1 \ Accessories NT 27/1 ME \ Accessories



## 41 Accessories

Professional \ Vacuum cleaner \ Wet-/dry vacuum cleaner \ NT 27/1 Me Adv \*EU \ Spare parts list NT 27/1 \ Accessories NT 27/1 ME \ Accessories



POS	Article no.	Description	Quantity	Unit	Foot note text
1	5.031-718.0	Elbow	1.000	ST	
2	6.906-240.0	Crevice nozzle DN35	1.000	ST	
3	6.902-154.0	Suction tube stainless steel NW35 - 505m	2.000	ST	
4	4.440-948.0	Suction hose C35	1.000	ST	
	<b>Item text1:</b> / 1.428-106.0 / -107.0 / -108.0 / -110.0 / -514.0 / -515.0 / -516.0 / -517.0 / -518.0				
4	4.440-626.0	Suction hose C DN35	1.000	ST	
	<b>Item text1:</b> / 1.428-101.0 / -102.0 / -104.0 / -111.0 / -501.0 / -502.0 / -503.0 / -504.0 / -505.0 / -507.0 / -511.0				
6	6.906-512.0	Floor tool DN35	1.000	ST	VERSION 1
6	2.889-118.0	Floor tool replacement DN35 L400	1.000	ST	VERSION 2
7	6.907-514.0	Brush strip set NW35	1.000	ST	VERSION 2
7	6.903-278.0	Brush strips set	1.000	ST	VERSION 1
8	6.907-513.0	Rubber strip set NW35+NW40	1.000	ST	VERSION 2
8	6.903-277.0	Set suction lips	1.000	ST	VERSION 1
9	4.515-342.0	Roller complete with axle	2.000	ST	VERSION 1
10	2.639-690.0	Repair set	1.000	ST	
11	5.031-703.0	Tension ring C35	1.000	ST	YELLOW
11	5.031-703.0	Tension ring C35	1.000	ST	GREY
12	6.273-009.0	Joint ring EPDM	1.000	ST	
13	6.904-290.0	Filter bags 5St.	1.000	ST	
15	5.443-464.0	Hosebarb	1.000	ST	
16	6.900-425.0	Multi-purpose brush	1.000	ST	
17	6.407-000.0	Set floor nozzle DN 40 + DN 35	1.000	ST	