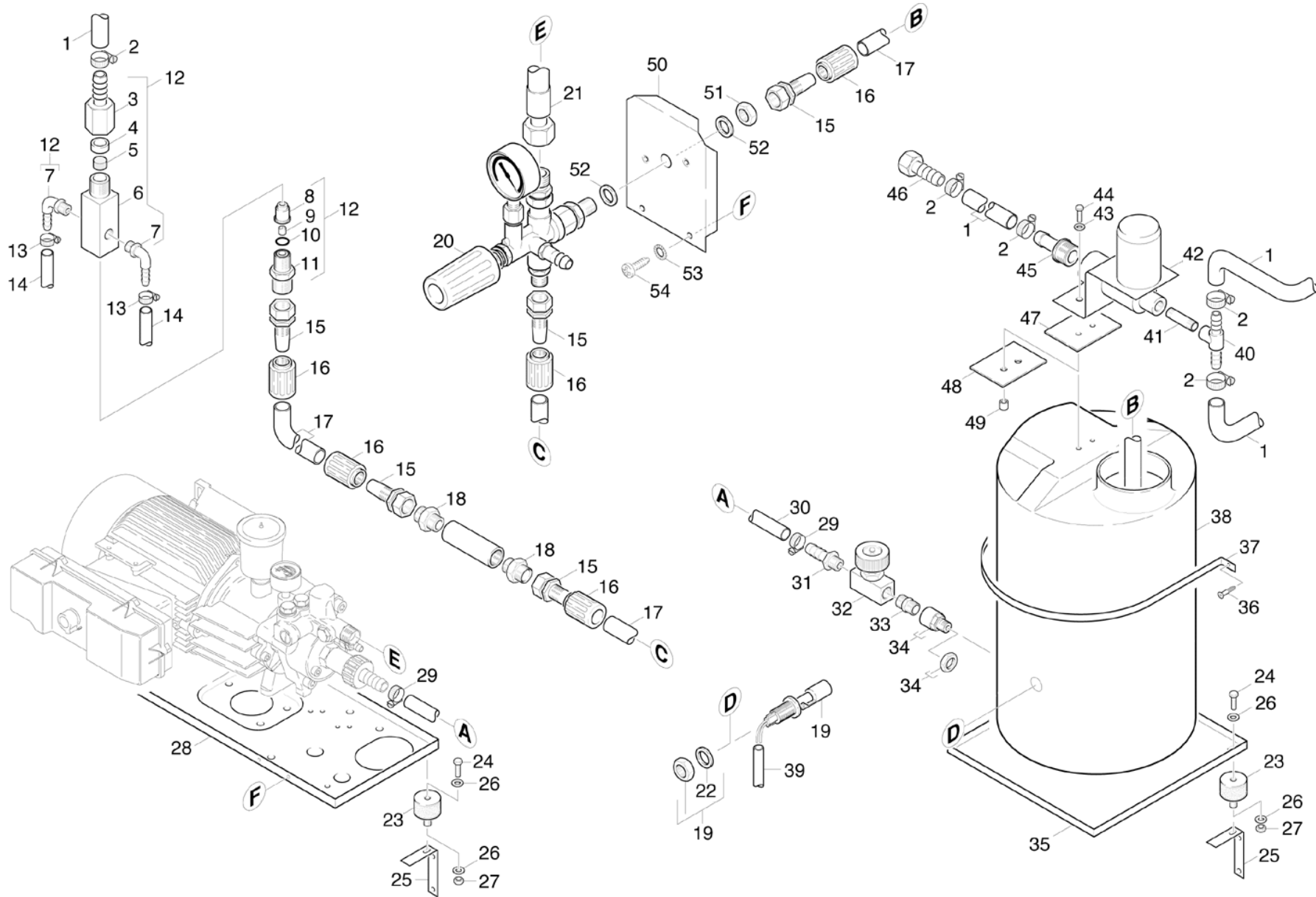


## 51 Individual parts

Overview technical documents/Professional/Systems engineering/Wash units passenger vehicle/CWP 8308 - WB 2,2M (1.114-081.0)/Spare parts list accessories CWP/CHP/50 Add-on kit high-pressure foam/51 Individual parts



## 51 Individual parts

Overview technical documents/Professional/Systems engineering/Wash units passenger vehicle/CWP 8308 - WB 2,2M (1.114-081.0)/Spare parts list accessories CWP/CHP/50 Add-on kit high-pressure foam/51 Individual parts

Rez.daļas/nodil.pakļ.daļas	Poz.	Materiāla Nr.	Nosaukums	Daudzums	Pārdoš. vienība	no sēr. Nr..	līdz sēr. Nr.
	1	6.388-160.0	Hose DN13	1.000	M	0000000000	0000000000
X-X	2	6.388-542.0	Hose clip 16-27x9	5.000	ST	0000000000	0000000000
	3	5.401-218.0	Hose stem	1.000	ST	0000000000	0000000000
X-X	4	5.114-188.0	Ring	1.000	ST	0000000000	0000000000
X-X	5	6.414-356.0	Filtrs	1.000	ST	0000000000	0000000000
	6	5.130-196.0	Nozzle	1.000	ST	0000000000	0000000000
X-X	7	6.388-423.0	Angle bushing	2.000	ST	0000000000	0000000000
	8	2.884-535.0	nozzle high pressure	1.000	ST	0000000000	0000000000
	9	5.769-103.0	Nozzle insert	1.000	ST	0000000000	0000000000
X-X	10	2.880-154.0	O-Ring kit	1.000	ST	0000000000	0000000000
	11	5.403-161.0	Screw connector	1.000	ST	0000000000	0000000000
	12		Stockpiling discontinued	1.000	ST	0000000000	0000000000
X-X	13	7.373-019.0	Hose clip A 10-16x9-W4 DIN3017	2.000	ST	0000000000	0000000000
	14	6.388-322.0	Hose blue PV 11,6/9	1.000	M	0000000000	0000000000
	15	6.390-032.0	Screw nipple	5.000	ST	0000000000	0000000000
	16	6.390-033.0	Hose socket	5.000	ST	0000000000	0000000000
	17	6.388-851.0	High pressure hose DN13	1.000	M	0000000000	0000000000
X	18	5.403-056.0	Double connection	2.000	ST	0000000000	0000000000
X-X	19	6.635-113.0	Float regulator	1.000	ST	0000000000	0000000000
	20		Stockpiling discontinued	1.000	ST	0000000000	0000000000
	21	6.388-914.0	High pressure hose DN13-0,64m	1.000	ST	0000000000	0000000000
	22	6.635-114.0	Seal	1.000	ST	0000000000	0000000000
X-X	23	6.339-079.0	Rubber buffer	4.000	ST	0000000000	0000000000
	24	7.304-393.0	Hexagonal head screw M 8x10-8.8-A2E ISO	4.000	ST	0000000000	0000000000
	25	5.045-283.0	Sheet metal component	4.000	ST	0000000000	0000000000

## 51 Individual parts

Overview technical documents/Professional/Systems engineering/Wash units passenger vehicle/CWP 8308 - WB 2,2M (1.114-081.0)/Spare parts list accessories CWP/CHP/50 Add-on kit high-pressure foam/51 Individual parts

Rez.daļas/nodil.pakļ.daļas	Poz.	Materiāla Nr.	Nosaukums	Daudzums	Pārdoš. vienība	no sēr. Nr..	līdz sēr. Nr.
X-X	26	7.312-017.0	wascher	1.000	ST	0000000000	0000000000
X-X	27	7.311-068.0	Sešstūra uzgrieznis M 8-A2-70 ISO 4032	4.000	ST	0000000000	0000000000
	28	5.045-282.0	Sheet metal component	1.000	ST	0000000000	0000000000
X-X	29	6.388-548.0	Hose clip	2.000	ST	0000000000	0000000000
X-X	30	6.388-976.0	Hose	1.000	M	0000000000	0000000000
	31	6.388-612.0	Hose stem R3/4"	1.000	ST	0000000000	0000000000
	32	6.412-005.0	Valve sleeve Rp 3/4"	1.000	ST	0000000000	0000000000
	33	6.385-010.0	Double nipple 3/4"x40-1.4541 Aehn.DIN298	1.000	ST	0000000000	0000000000
	34	6.386-605.0	Screw connector 3/4Z/1Z	1.000	ST	0000000000	0000000000
	35	5.053-072.0	Bracket	1.000	ST	0000000000	0000000000
	36	7.303-146.0	Wood screw 5x40-St-A2E DIN 96	2.000	ST	0000000000	0000000000
	37	5.034-514.0	Retaining bracket	1.000	ST	0000000000	0000000000
	38	5.071-096.0	Tank	1.000	ST	0000000000	0000000000
	39	6.642-007.0	Insulating hose 6	1.000	M	0000000000	0000000000
	40	7.387-052.0	T-Piece B1-1/4"-W400-05-Zn EN10242	1.000	ST	0000000000	0000000000
	41	6.387-323.0	Double nipple 1/4"x40-St-vz DIN 2982	1.000	ST	0000000000	0000000000
X	42	6.762-140.0	Dosing equipment	1.000	ST	0000000000	0000000000
X-X	43	7.312-026.0	Washer 6-A2 ISO 7090	2.000	ST	0000000000	0000000000
X-X	44	7.304-549.0	Hexagonal head screw M 6x30-A4-70 ISO 4	2.000	ST	0000000000	0000000000
	45	6.389-215.0	Hose coupling	1.000	ST	0000000000	0000000000
	46	6.389-427.0	Hose nozzle	1.000	ST	0000000000	0000000000
	47	5.001-551.0	Plate	1.000	ST	0000000000	0000000000
	48	5.001-552.0	Plate	1.000	ST	0000000000	0000000000
	49	6.310-086.0	Rivet nut M 6 -MS	2.000	ST	0000000000	0000000000
	50	5.045-340.0	Sheet metal component	1.000	ST	0000000000	0000000000

## 51 Individual parts

Overview technical documents/Professional/Systems engineering/Wash units passenger vehicle/CWP 8308 - WB 2,2M (1.114-081.0)/Spare parts list accessories CWP/CHP/50 Add-on kit high-pressure foam/51 Individual parts

Rez.daļas/nodil.pakļ.daļas	Poz.	Materiāla Nr.	Nosaukums	Daudzums	Pārdoš. vienība	no sēr. Nr..	līdz sēr. Nr.
	51	7.311-071.0	Hexagon nut M12-A2-70 ISO 4032	1.000	ST	0000000000	0000000000
X-X	52	7.312-054.0	Washer 12-A2 ISO 7090	2.000	ST	0000000000	0000000000
	53	7.312-172.0	Toothed lock washer A5,3-FSt-A3E DIN 67	2.000	ST	0000000000	0000000000
	54	7.303-039.0	Screw M5x16 -St-A2R (In6Rd)	2.000	ST	0000000000	0000000000