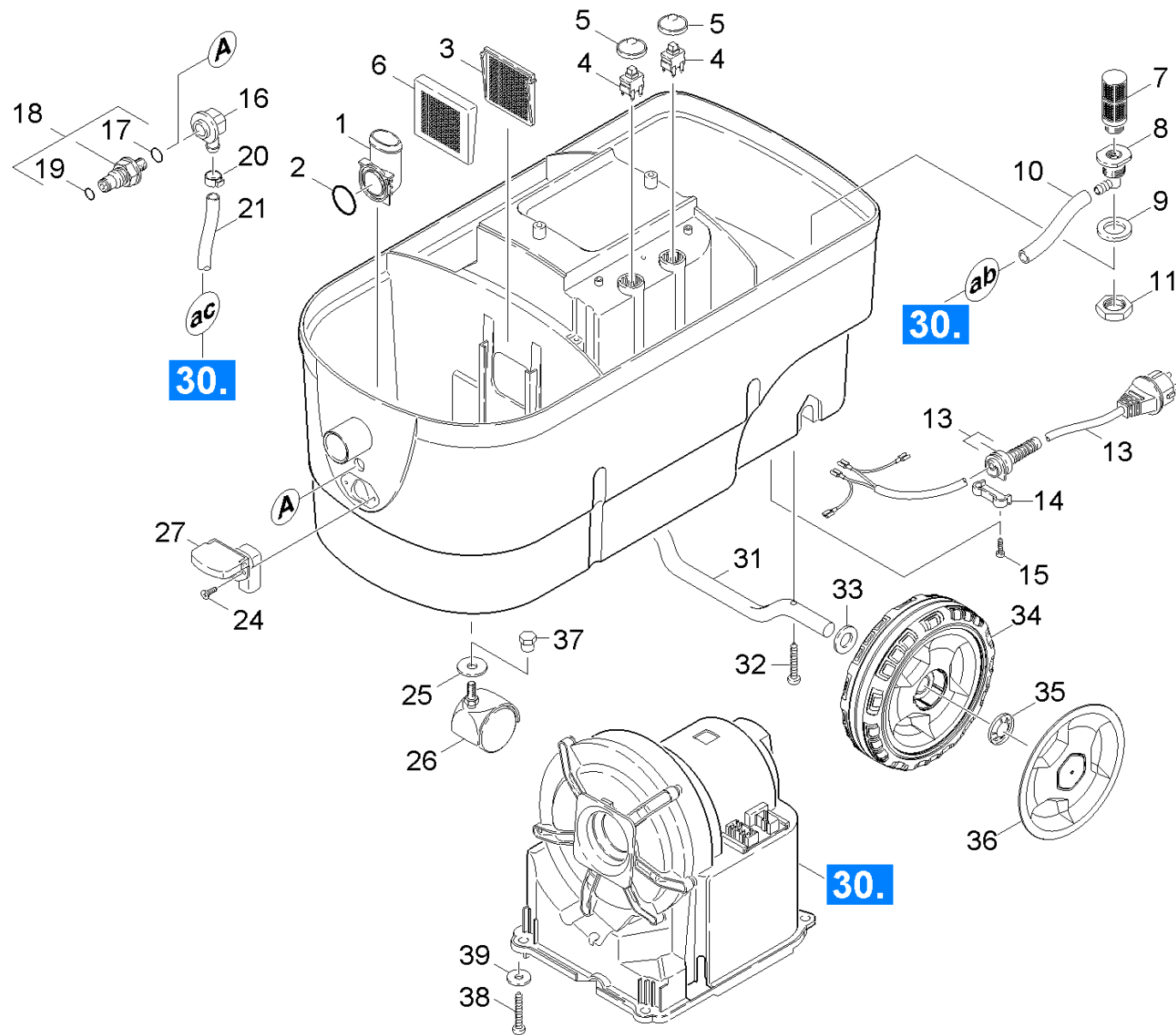


## 20 Appliance individual parts PUZZI 200

Overview technical documents/Professional/Spray extraction/PUZZI 200 \*EU (1.193-100.0)/Spare parts list Puzzi 200/20 Appliance individual parts PUZZI 200



**20 Appliance individual parts PUZZI 200**

Overview technical documents/Professional/Spray extraction/PUZZI 200 \*EU (1.193-100.0)/Spare parts list Puzzi 200/20 Appliance individual parts PUZZI 200

Rez.daļas/nodil.pakļ.daļas	Poz.	Materiāla Nr.	Nosaukums	Daudzums	Pārdoš. vienība	no sēr. Nr..	līdz sēr. Nr.
X-X	1	5.402-605.0	Iesūkšanas īscaurule	1.000	ST	0000000000	0000000000
X	2	9.478-007.0	O-Ring seal Ø29,5x3 NBR 70	1.000	ST	0000000000	0000000000
	3	5.734-087.0	Sieta filtrs	1.000	ST	0000000000	0000000000
X-X	4	6.630-437.0	Ieslēgšanas/izslēgšanas slēdzis	2.000	ST	0000000000	0000000000
	5	5.394-461.0	Protection part	2.000	ST	0000000000	0000000000
X-X	6	5.734-089.0	Filtrs	1.000	ST	0000000000	0000000000
X-X	7	6.414-027.0	Filtrs	1.000	ST	0000000000	0000000000
	8	5.443-246.0	Hose stem	1.000	ST	0000000000	0000000000
	9	5.363-108.0	Joint ring	1.000	ST	0000000000	0000000000
	10	5.442-722.0	Piece of tube	1.000	ST	0000000000	0000000000
X-X	11	6.310-004.0	Sešstūra uzgrieznis G 1/2	1.000	ST	0000000000	0000000000
X-X	13	6.647-860.0	Power cable 7,5m PVC *EU	1.000	ST	0000000000	0000000000
	14	5.044-084.0	Holder	1.000	ST	0000000000	0000000000
X	15	7.303-084.0	Skrūve 4x25 -10.9-R2R (K-In6Rd)	2.000	ST	0000000000	0000000000
X-X	16	5.443-437.0	Šļūtenes nipelis	1.000	ST	0000000000	0000000000
	17	6.362-797.0	Gredzenblīve 9,0 X 2,0	1.000	ST	0000000000	0000000000
X-X	18	4.409-001.0	Nipple complete	1.000	ST	0000000000	0000000000
X	19	2.883-151.0	Spare parts	1.000	ST	0000000000	0000000000
	20	6.389-992.0	Šļūtenes skava	1.000	ST	0000000000	0000000000
	21	6.390-220.0	Hose DN 6,5	1.000	ST	0000000000	0000000000
	24	6.303-318.0	Screw 3,5x12-10.9-R2R (IN6RD)	2.000	ST	0000000000	0000000000
X	25	7.312-285.0	Washer 10 -200HV-A2E ISO7093-1	2.000	ST	0000000000	0000000000
X-X	26	6.435-039.0	Ritenis	2.000	ST	0000000000	0000000000
	27	6.646-401.0	Plug socket 250V	1.000	ST	0000000000	0000000000
X	29	7.312-001.0	Washer 4 -200HV-A3E ISO 7089	12.000	ST	0000000000	0000000000

## 20 Appliance individual parts PUZZI 200

Overview technical documents/Professional/Spray extraction/PUZZI 200 \*EU (1.193-100.0)/Spare parts list Puzzi 200/20 Appliance individual parts PUZZI 200

Rez.daļas/nodil.pakļ.daļas	Poz.	Materiāla Nr.	Nosaukums	Daudzums	Pārdoš. vienība	no sēr. Nr..	līdz sēr. Nr.
	31	5.105-252.0	Axle	1.000	ST	0000000000	0000000000
X-X	32	7.303-086.0	Skrūve 5x30 -10.9-R2R (K-In6Rd)	2.000	ST	0000000000	0000000000
X	33	7.312-057.0	washer	2.000	ST	0000000000	0000000000
X-X	34	5.515-361.0	Wheel D180	2.000	ST	0000000000	0000000000
X-X	35	6.343-168.0	Sprostaplāksne	2.000	ST	0000000000	0000000000
X-X	36	5.515-386.0	Wheel cap large RAL 7012	2.000	ST	0000000000	0000000000
X-X	37	5.110-659.0	Bush	2.000	ST	0000000000	0000000000
X-X	38	6.303-285.0	Skrūve M 8x 40	4.000	ST	0000000000	0000000000
	39	5.363-397.0	Joint ring	4.000	ST	0000000000	0000000000