

Spare parts list

(1.151-906.0) HD 7/10 CXF *EU-I

Table of contents

HD 7/10 CXF *EU-I (1.151-906.0)	3
Spare parts list high-pressure 7/10 CXF (5.974-126.0)	4
10 Housing	5
11 Housing	6
12 Hose reel	8
2 Set (4.515-104.0)	10
14 Set (4.515-105.0)	12
20 Pump set	14
21 Cylinder head	15
8 Valve (3 Stück) (2.884-916.0)	18
11 Drain plug only for replacement (4.132-007.0)	20
17 SPARE PARTS SET (2.883-988.0)	22
21 Valve pin complete (4.584-022.0)	24
23 Nozzle insert (4.769-035.0)	26
25 Spare part set (2.884-551.0)	28
30 Valve seat complete (4.481-226.0)	29
22 Thrust guidance	31
30 Motor	33
40 Accessories	35
41 EASY!Force Advanced Food (4.118-015.0)	37
1 Food gun trapezoidal thread EH 155	38
9000 Spare part set lever Food (2.885-484.0)	40
42 Rotary controller TR 270L (4.118-007.0)	42
1 Rotary controller TR 270L	43
43 Hose assembly TR hygiene DN6 25MPa 15m (6.110-074.0)	45
44 Jet pipe TR 840 mm (4.112-006.0)	47
1 Jet pipe TR 840 mm	48
45 Triple jet nozzle TR 060 (4.117-040.0)	50
1 Triple jet nozzle TR 060	51
46 Screw union TR nozzle TR22-TR20 (4.111-038.0)	53
50 Electric box	55

HD 7/10 CXF *EU-I (1.151-906.0)

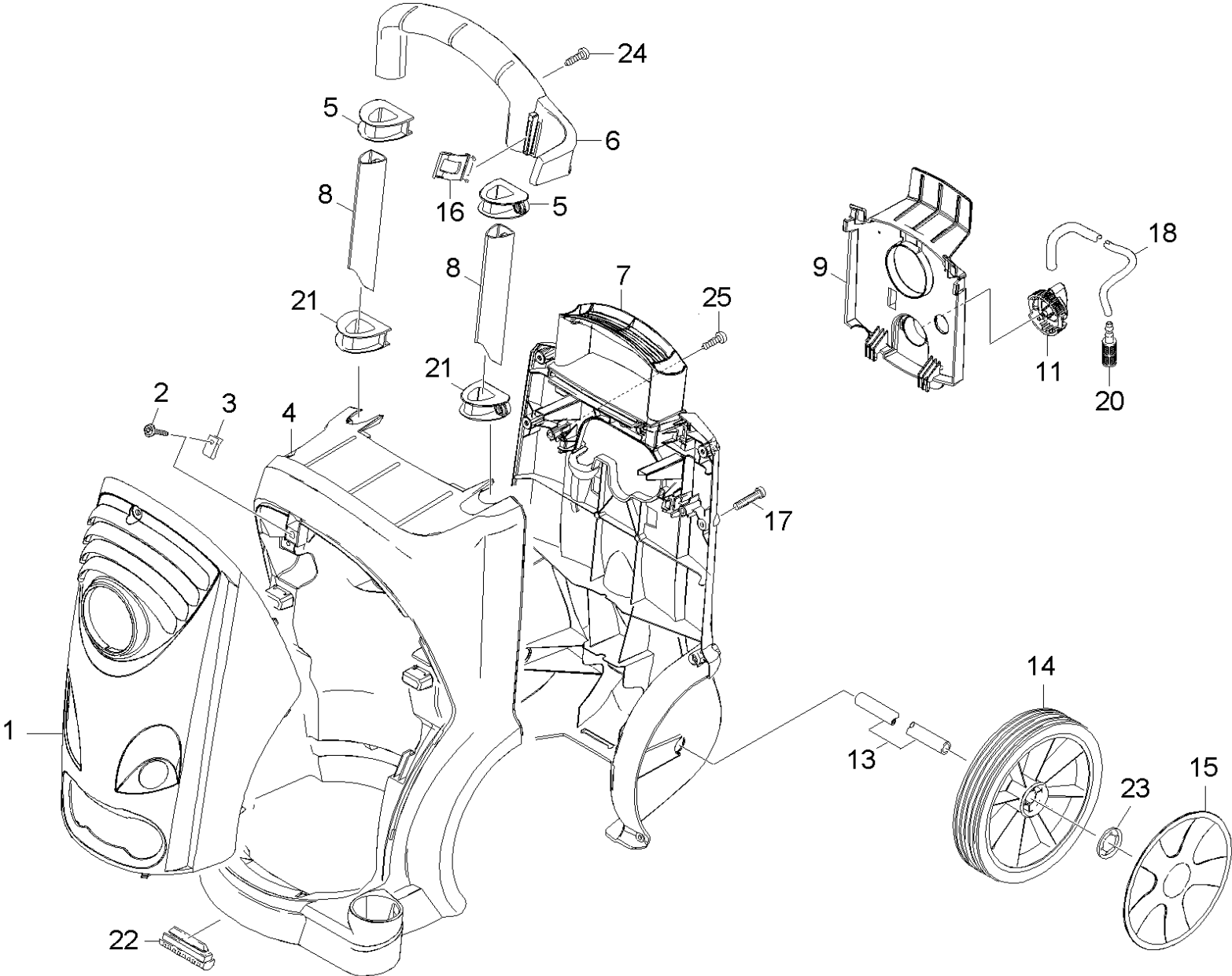
POS	Article no.	Description	Quantity	Unit
0	5.974-126.0	Spare parts list high-pressure 7/10 CXF	1	PC

Spare parts list high-pressure 7/10 CXF (5.974-126.0)

POS	Description	Quantity	Unit
10	Housing	1	PC
20	Pump set	1	PC
30	Motor	1	PC
40	Accessories	1	PC
50	Electric box	1	PC

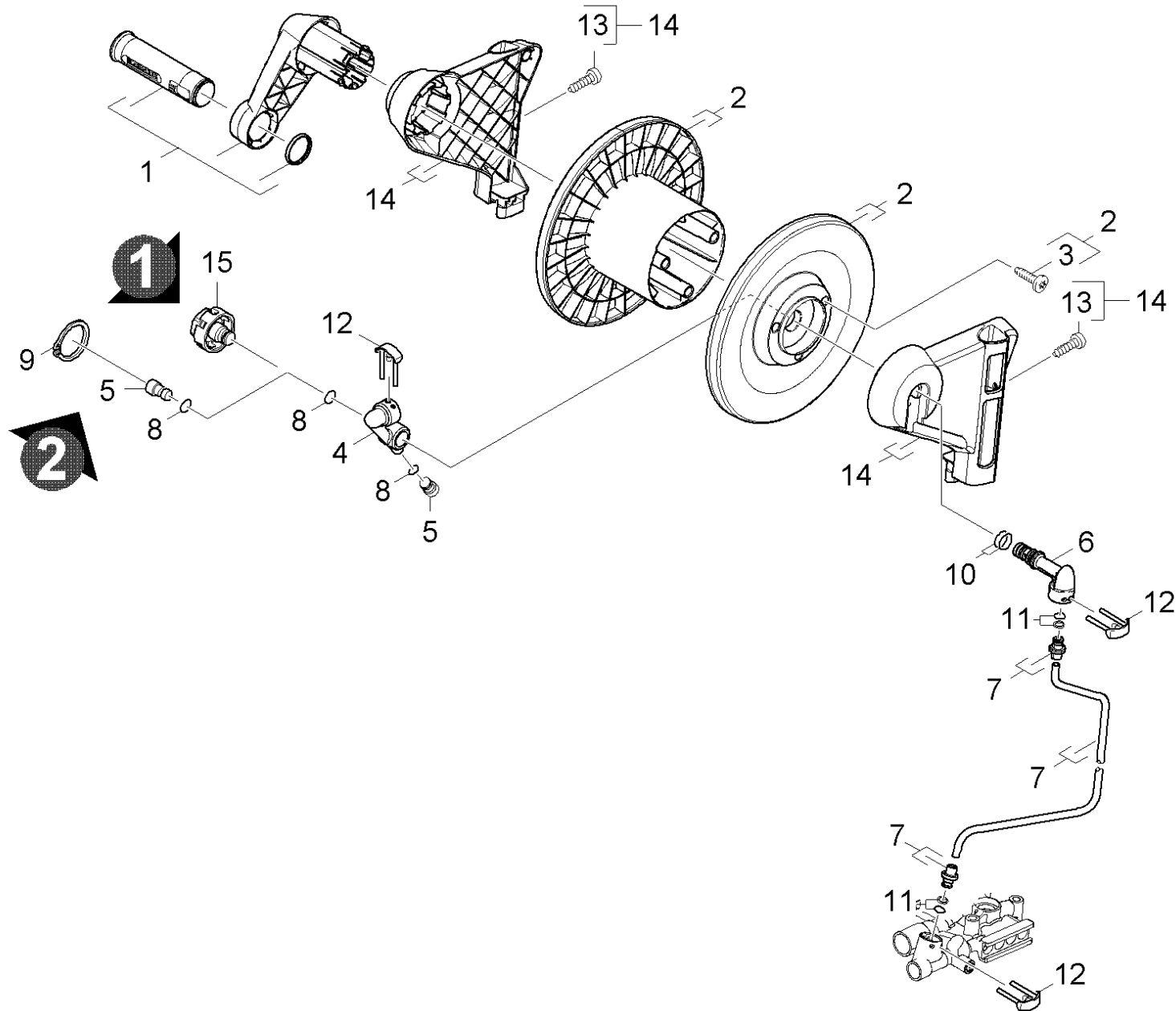
10 Housing

POS	Description	Quantity	Unit
11	Housing	1	PC
12	Hose reel	1	PC



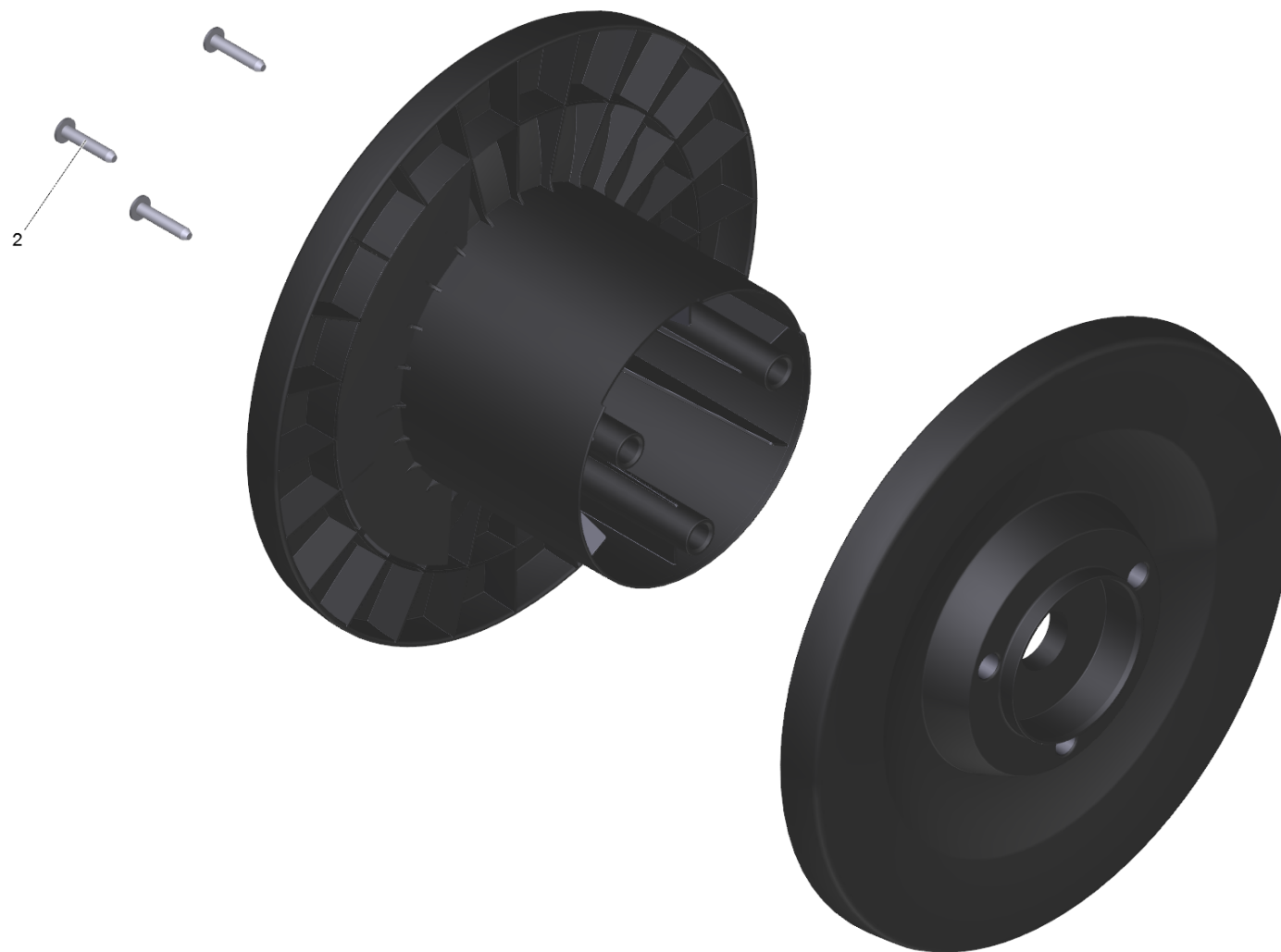
11 Housing

POS	Article no.	Description	Quantity	Unit	Foot note text
1	5.069-202.0	Device cover	1	PC	
2	6.304-099.0	Saucer-head screw M 6x 18-4.8-R2R	1	PC	
3	6.310-053.0	Putting nut	1	PC	
4	5.050-206.3	Frame front part	1	PC	
5	5.032-554.0	Guide	2	PC	
6	5.321-721.0	Hand grip	1	PC	
7	5.050-207.0	Frame rear panel	1	PC	
8	5.107-248.0	Bar shearing shackle	2	PC	
9	5.032-648.0	Covering cap	1	PC	
11	4.063-778.0	Proportioning valve chemistry	1	PC	
13	5.105-399.0	Axle	1	PC	
14	6.435-756.0	Wheel grey D200	2	PC	
15	4.515-273.0	Spare parts set wheel cap	1	PC	SET OF 2 PIECES
16	5.044-216.0	Holder	1	PC	
17	7.303-108.0	Screw 5x20 -10.9-R2R (In6Rd)	10	PC	
18	6.388-216.0	Hose DN 5	1	m	TO ORDER AS CUT GOODS
20	5.731-652.0	Filter with weight	1	PC	
21	5.032-555.0	Guide	2	PC	
22	5.057-077.0	Support	2	PC	
23	6.343-168.0	Lock washer	2	PC	
24	7.303-046.0	Screw M6x12 -St-R3R (In6Rd)	2	PC	
25	7.303-156.0	Screw M6x40 -St-P3R (In6Rd)	2	PC	



12 Hose reel

POS	Article no.	Description	Quantity	Unit	Remark
1	4.481-213.0	Crank complete	1	PC	
2	4.515-104.0	Set	1	PC	
3	7.303-109.0	Screw 5x25 -10.9-R2R (In6Rd)	3	PC	
4	5.427-326.0	Manifold	1	PC	
5	5.411-161.0	CLOSING SCREW M10X1	2	PC	
6	5.427-328.0	Manifold	1	PC	
7	4.421-959.0	Pipelines complete	1	PC	
8	6.362-703.0	O-Ring seal 6,0x1,5-NBR 70	2	PC	
9	7.343-018.0	Locking ring 18x1,2-Rf-St DIN 471	1	PC	VERSION 2
10	4.363-693.0	O-Ring seal kpl. -nur fuer Ersatz-	2	PC	
11	4.363-691.0	O-Ring seal kpl. -nur fuer Ersatz-	2	PC	
12	4.037-013.0	Hook	3	PC	
13	7.303-046.0	Screw M6x12 -St-R3R (In6Rd)	2	PC	
14	4.515-105.0	Set	1	PC	
15	7.343-018.0	Locking ring 18x1,2-Rf-St DIN 471	1	PC	VERSION 1



2 Set (4.515-104.0)

POS	Article no.	Description	Quantity	Unit
2	7.303-109.0	Screw 5x25 -10.9-R2R (In6Rd)	3	PC

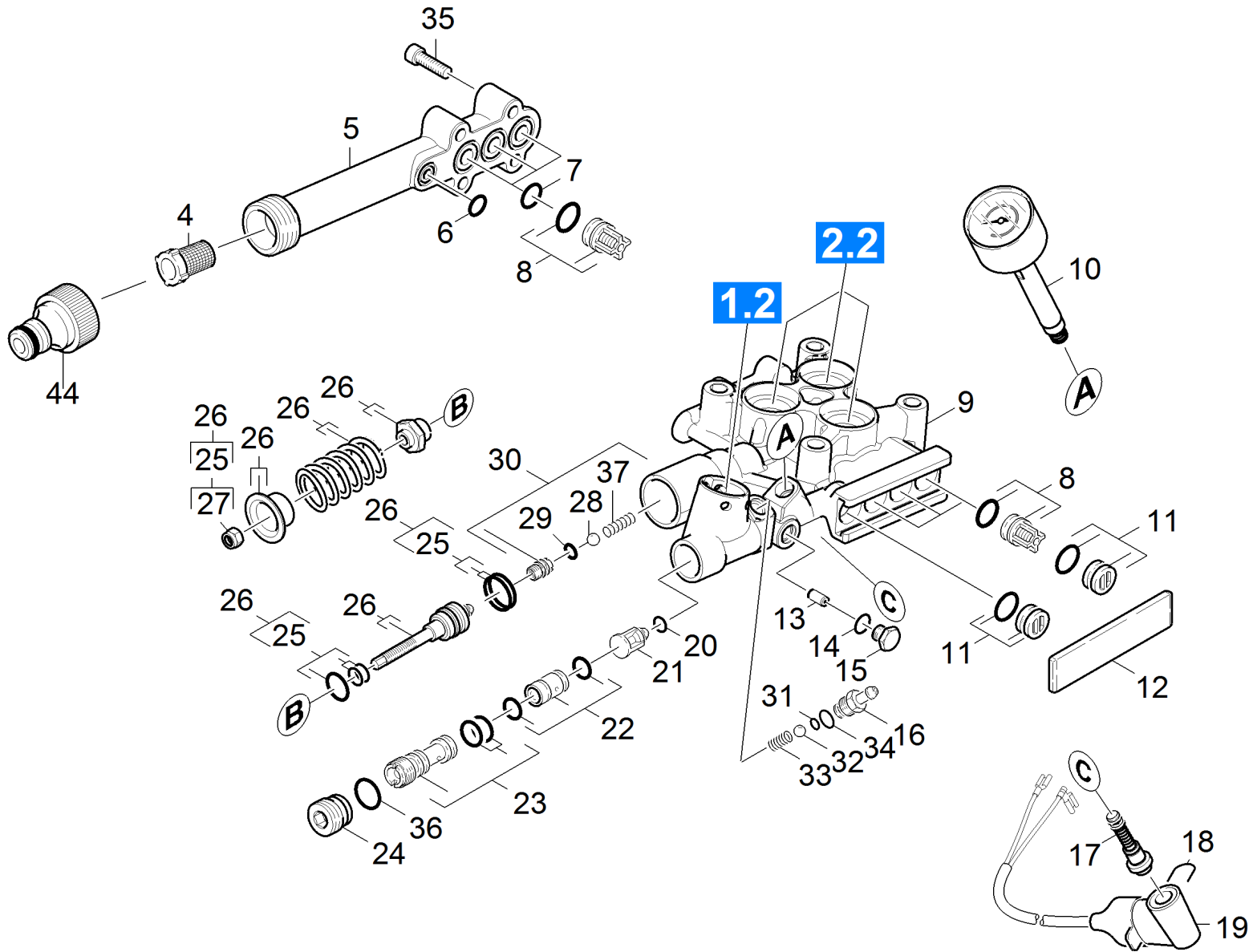


14 Set (4.515-105.0)

POS	Article no.	Description	Quantity	Unit
4	7.303-046.0	Screw M6x12 -St-R3R (In6Rd)	3	PC

20 Pump set

POS	Description	Quantity	Unit
21	Cylinder head	1	PC
22	Thrust guidance	1	PC

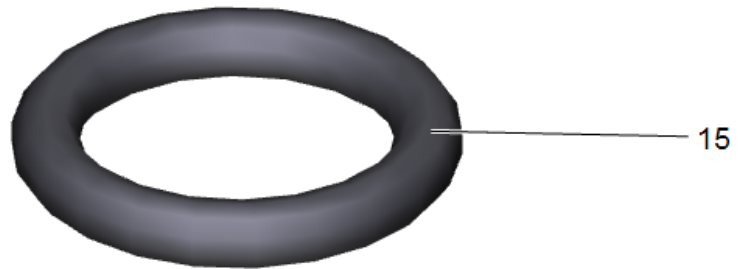
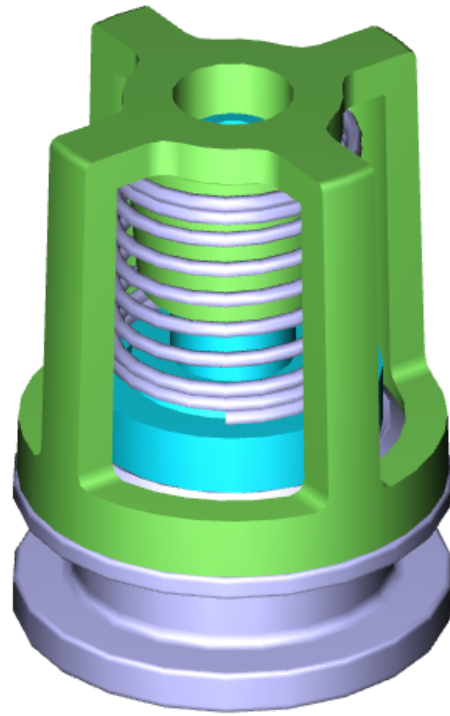


21 Cylinder head

POS	Article no.	Description	Quantity	Unit
4	6.414-252.0	Strainer	1	PC
5	5.064-150.0	Suction cover	1	PC
6	6.362-384.0	O-Ring seal 9x1,5 - NBR 70	1	PC
7	6.362-533.0	O-Ring seal 14,0 X 1,5-NBR 70	3	PC
8	2.884-916.0	Valve (3 Stück)	2	PC
9	5.550-316.3	Cylinder head	1	PC
10	6.421-348.0	Pressure gauge 0-15 MPa	1	PC
11	4.132-007.0	Drain plug only for replacement	4	PC
12	5.003-062.0	Plate	1	PC
13	5.111-046.0	Sleeve cylinder head	1	PC
14	6.362-642.0	O-Ring d. 7,65x1,78 -NBR 80	1	PC
15	5.411-070.0	Screw plug	1	PC
16	5.443-624.0	Nipple	1	PC
17	2.883-988.0	SPARE PARTS SET	1	PC
18	5.034-494.0	Retaining bracket	1	PC
19	4.744-201.0	Switch complete	1	PC
20	6.363-613.0	O-Ring seal 4 x 2 -NBR90	1	PC
21	4.584-022.0	Valve pin complete	1	PC
22	2.884-853.0	Spare part set nozzle insert	1	PC
23	4.769-035.0	Nozzle insert	1	PC
24	5.411-171.0	Screw plug	1	PC
25	2.884-551.0	Spare part set	1	PC
26	2.884-984.0	Spare part set	1	PC
27	7.311-510.0	Hexagon nut M 8-8-A2E ISO 7040	1	PC
28	7.401-907.0	Sphere 3/8 G200-1.4301 DIN 5401	1	PC
29	6.362-858.0	O-Ring seal 11,0 X 1,5	1	PC
30	4.481-226.0	Valve seat complete	1	PC
31	6.363-597.0	O-Ring seal 5,28 x 1,78	1	PC
32	7.401-908.0	Sphere 7 G300 -1.4301 DIN 5401	1	PC
33	5.332-258.0	Helical spring	1	PC
34	6.362-113.0	O-Ring seal 6,0 x 2,0 NBR 70	1	PC
35	7.306-105.0	Screw M6x30 -8.8-R3R (In6Rd)	4	PC
36	6.362-480.0	O-Ring seal 12,42x 1,78	1	PC

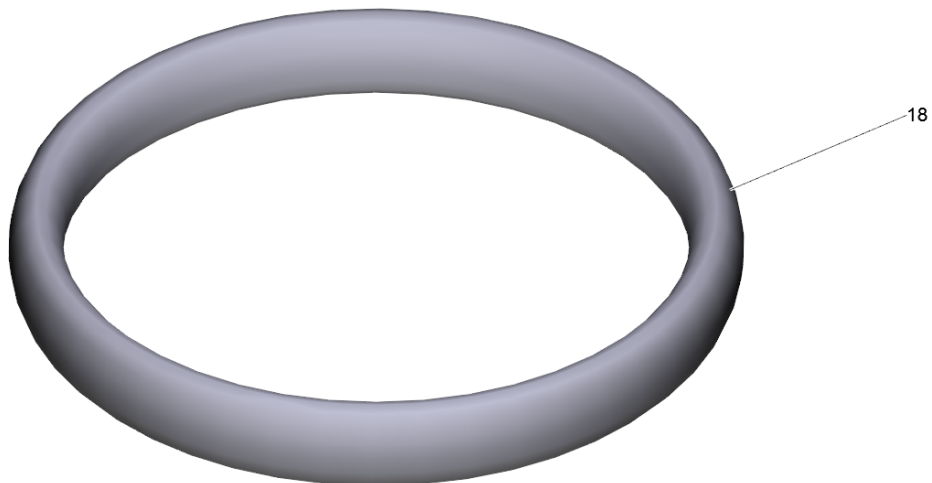
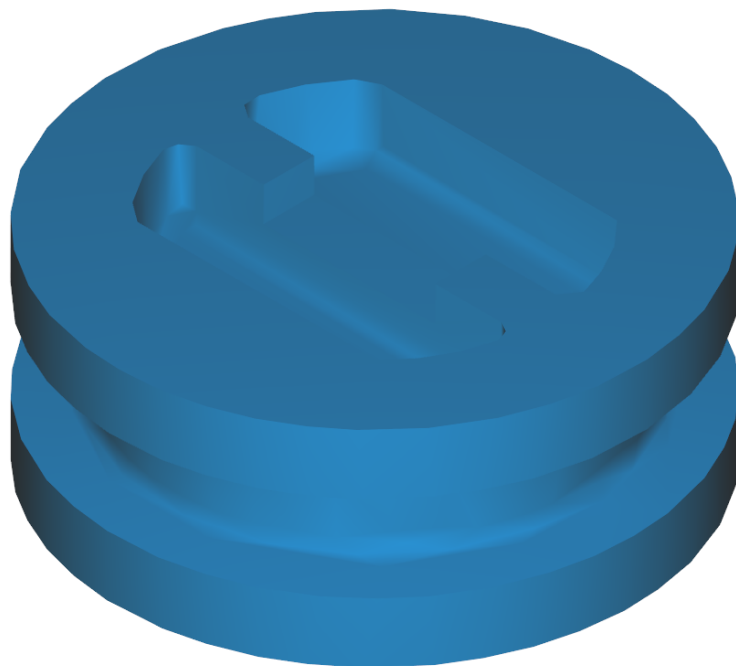
21 Cylinder head

POS	Article no.	Description	Quantity	Unit
37	5.332-999.0	Helical spring	1	PC
44	6.465-031.0	Connection 3/4	1	PC



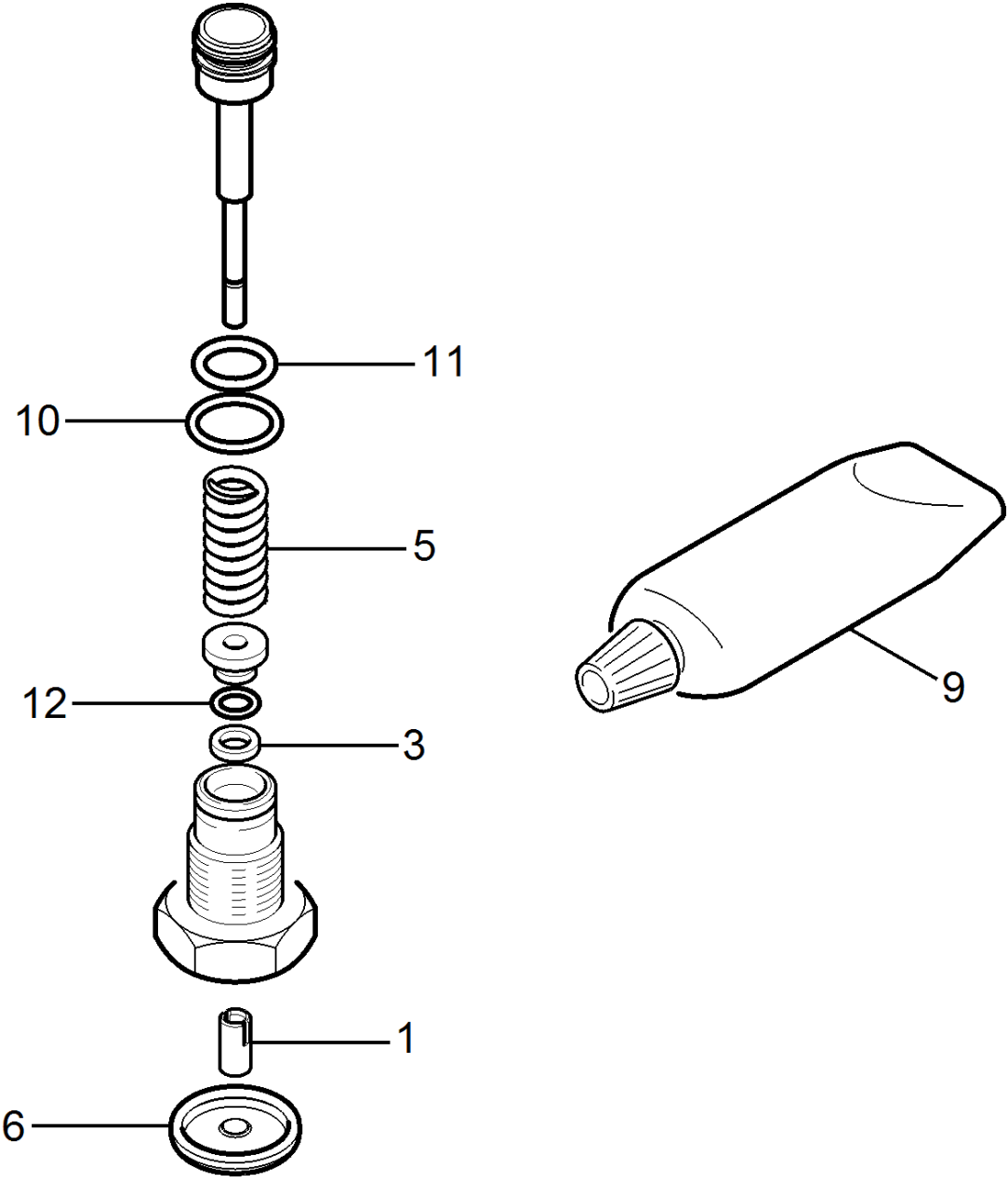
8 Valve (3 Stück) (2.884-916.0)

POS	Article no.	Description	Quantity	Unit
15	6.362-077.0	O-Ring seal 10 x 2,2 NBR 70	1	PC



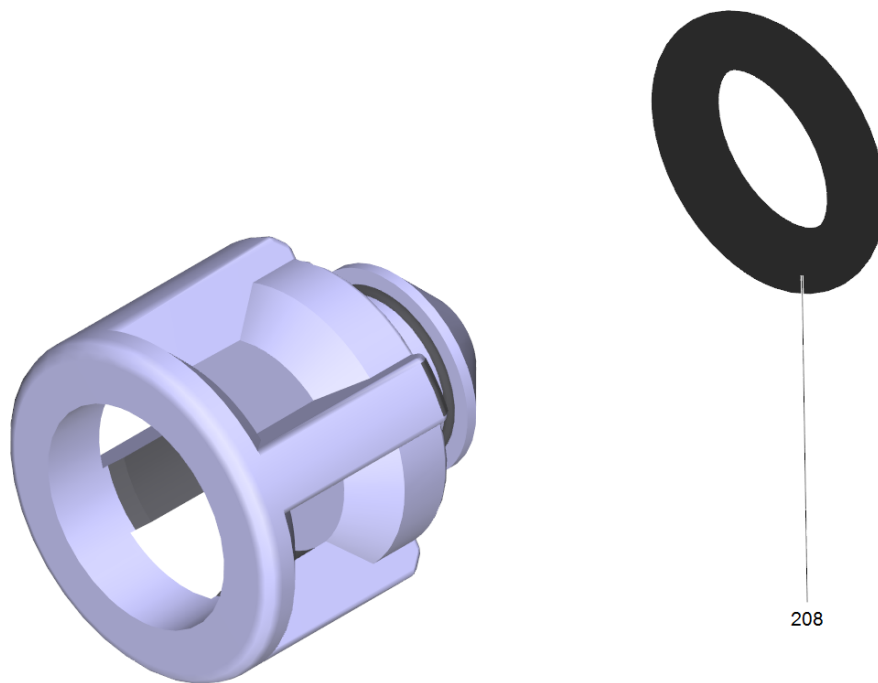
11 Drain plug only for replacement (4.132-007.0)

POS	Article no.	Description	Quantity	Unit
18	6.362-458.0	O-Ring seal 11,0x2,0-NBR 70	1	PC



17 SPARE PARTS SET (2.883-988.0)

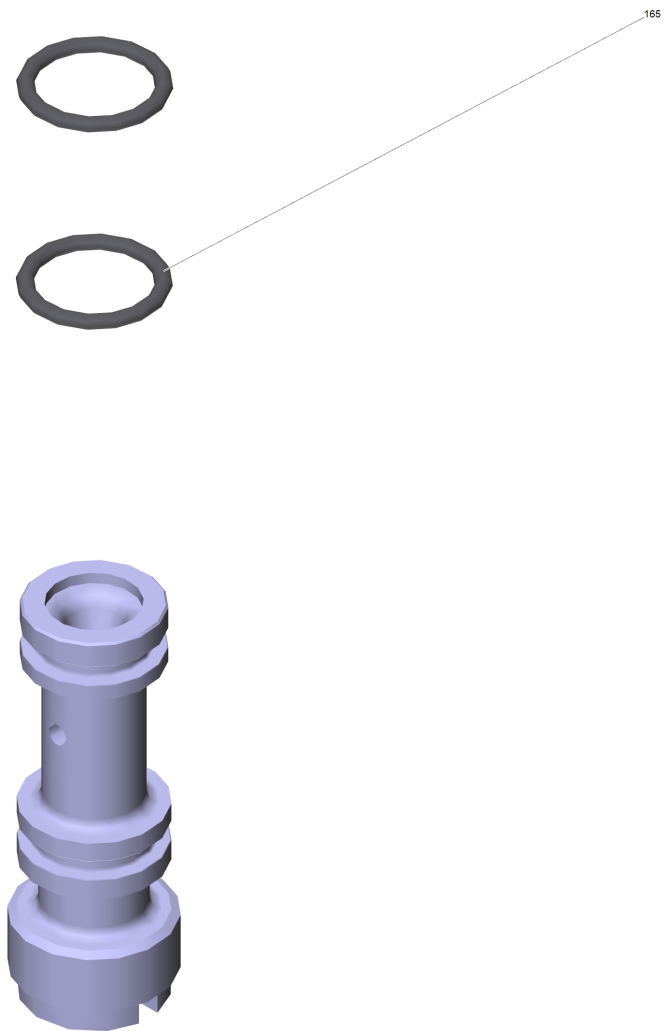
POS	Article no.	Description	Quantity	Unit
1	5.110-947.0	Sleeve	1	PC
3	5.114-513.0	Supportring	1	PC
5	5.332-511.0	Helical spring	1	PC
6	5.367-030.0	Diaphragm	1	PC
9	6.288-044.0	Silicon grease 100 G	1	PC
10	6.363-615.0	O-Ring seal 11 x 1,5 -NBR70	1	PC
11	6.363-611.0	O-Ring seal 8,73 x 1,78 -NBR	1	PC
12	6.363-241.0	O-Ring seal 2,90x1,78	1	PC



208

21 Valve pin complete (4.584-022.0)

POS	Article no.	Description	Quantity	Unit
208	6.363-613.0	O-Ring seal 4 x 2 -NBR90	1	PC

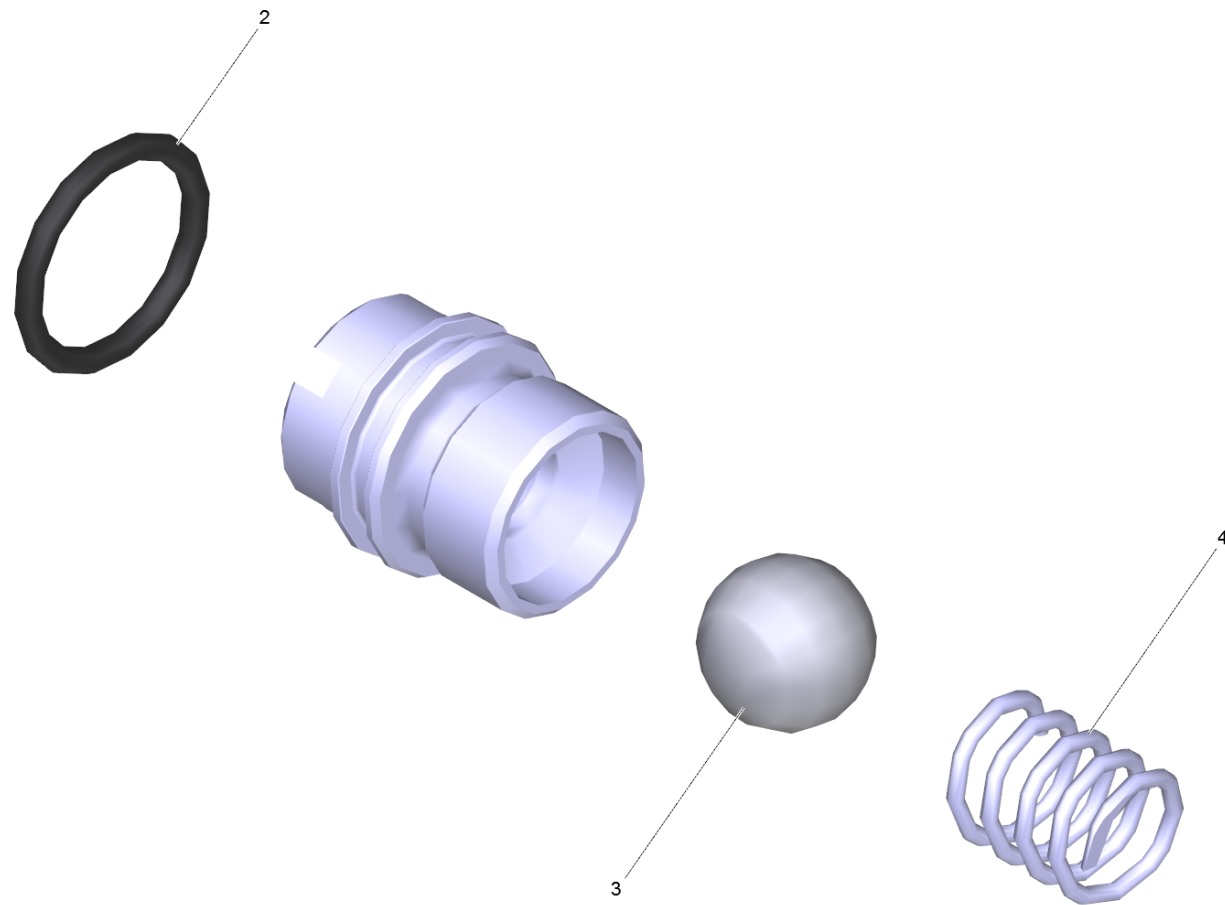


23 Nozzle insert (4.769-035.0)

POS	Article no.	Description	Quantity	Unit
165	6.362-384.0	O-Ring seal 9x1,5 - NBR 70	2	PC

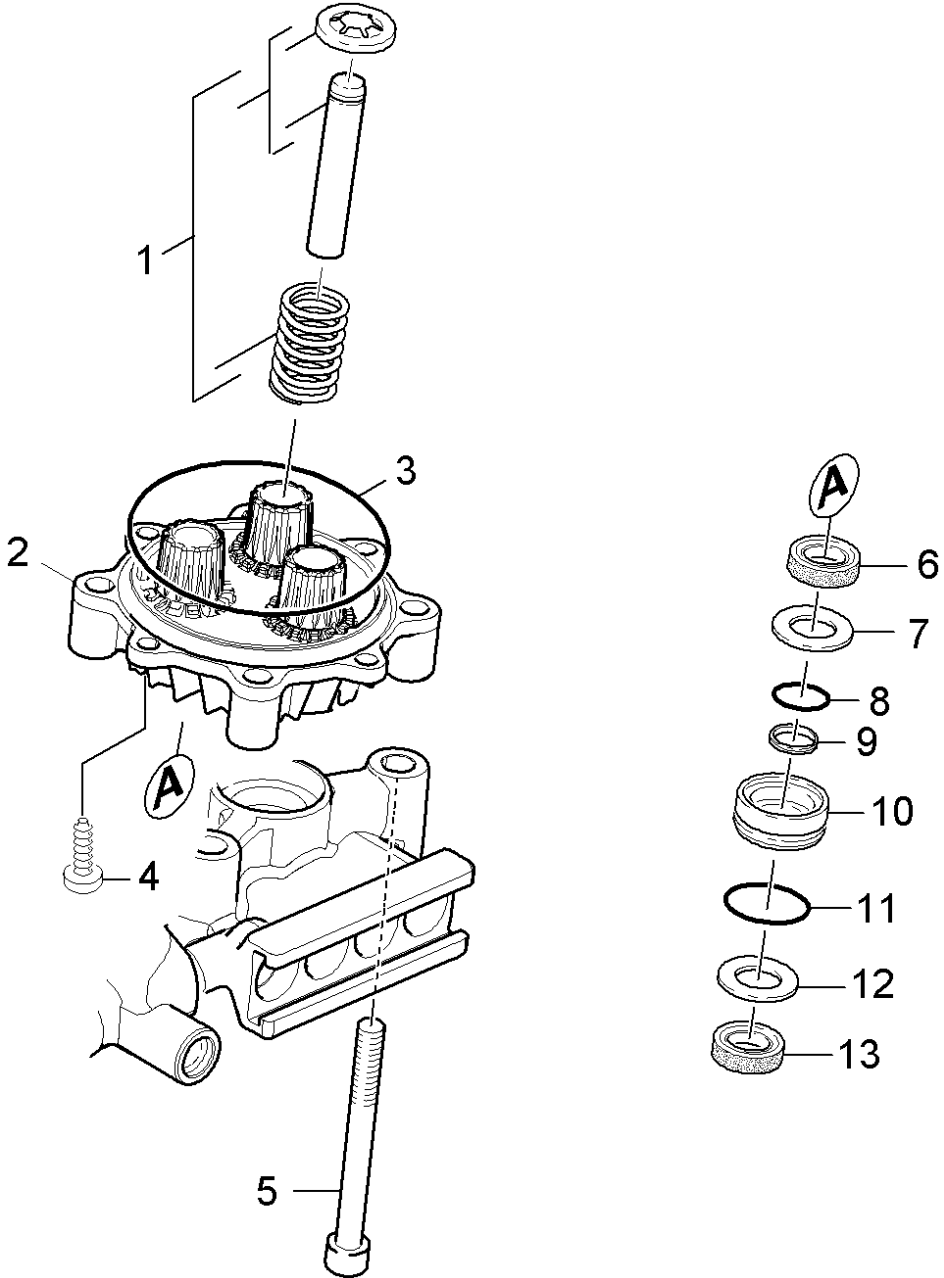
25 Spare part set (2.884-551.0)

POS	Article no.	Description	Quantity	Unit
44	6.362-365.0	O-Ring seal complete 1ST.-R.- 7,65X 1,7	1	PC
46	6.362-445.0	O-Ring seal 16,0 X 2,4-NBR 80	1	PC
47	6.362-575.0	O-Ring seal 12,42 KOMPL	1	PC
71	7.311-510.0	Hexagon nut M 8-8-A2E ISO 7040	1	PC
101	6.376-036.0	Label spare parts neutrally 65x55 MM	2	ZST



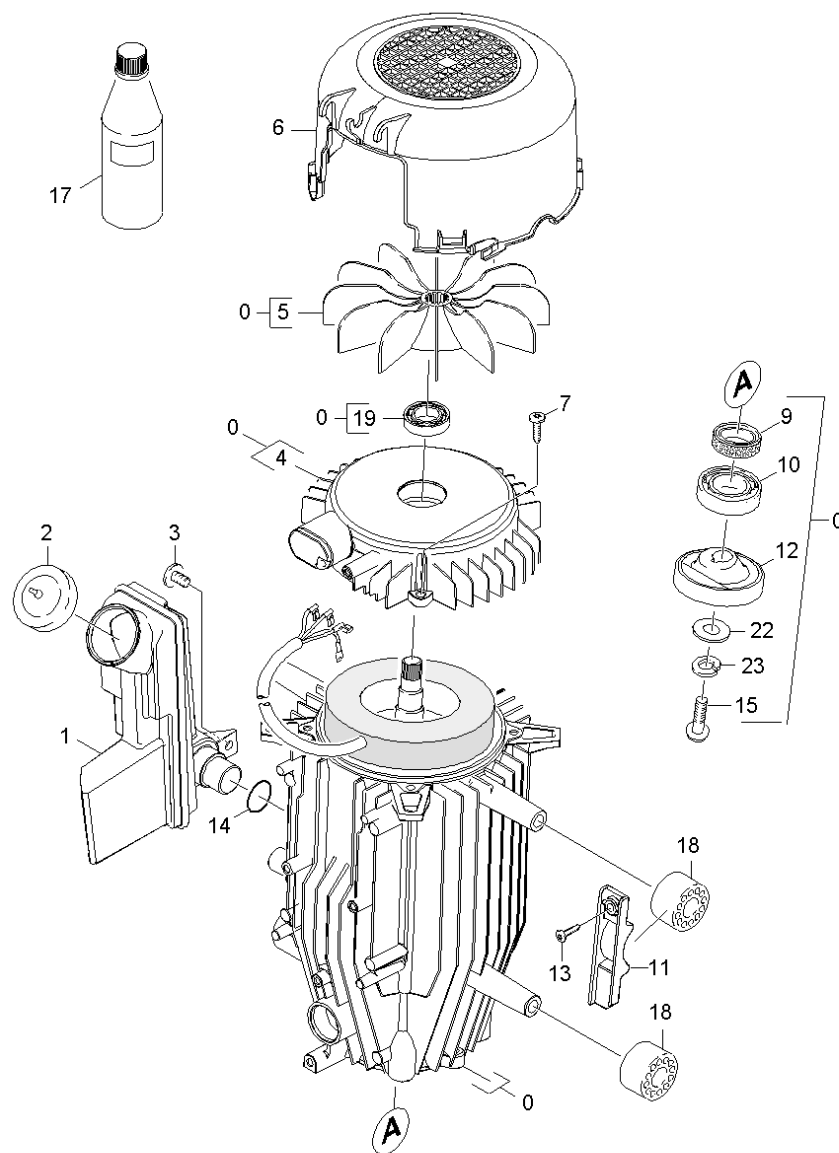
30 Valve seat complete (4.481-226.0)

POS	Article no.	Description	Quantity	Unit
2	6.362-858.0	O-Ring seal 11,0 X 1,5	1	PC
3	7.401-907.0	Sphere 3/8 G200-1.4301 DIN 5401	1	PC
4	5.332-999.0	Helical spring	1	PC



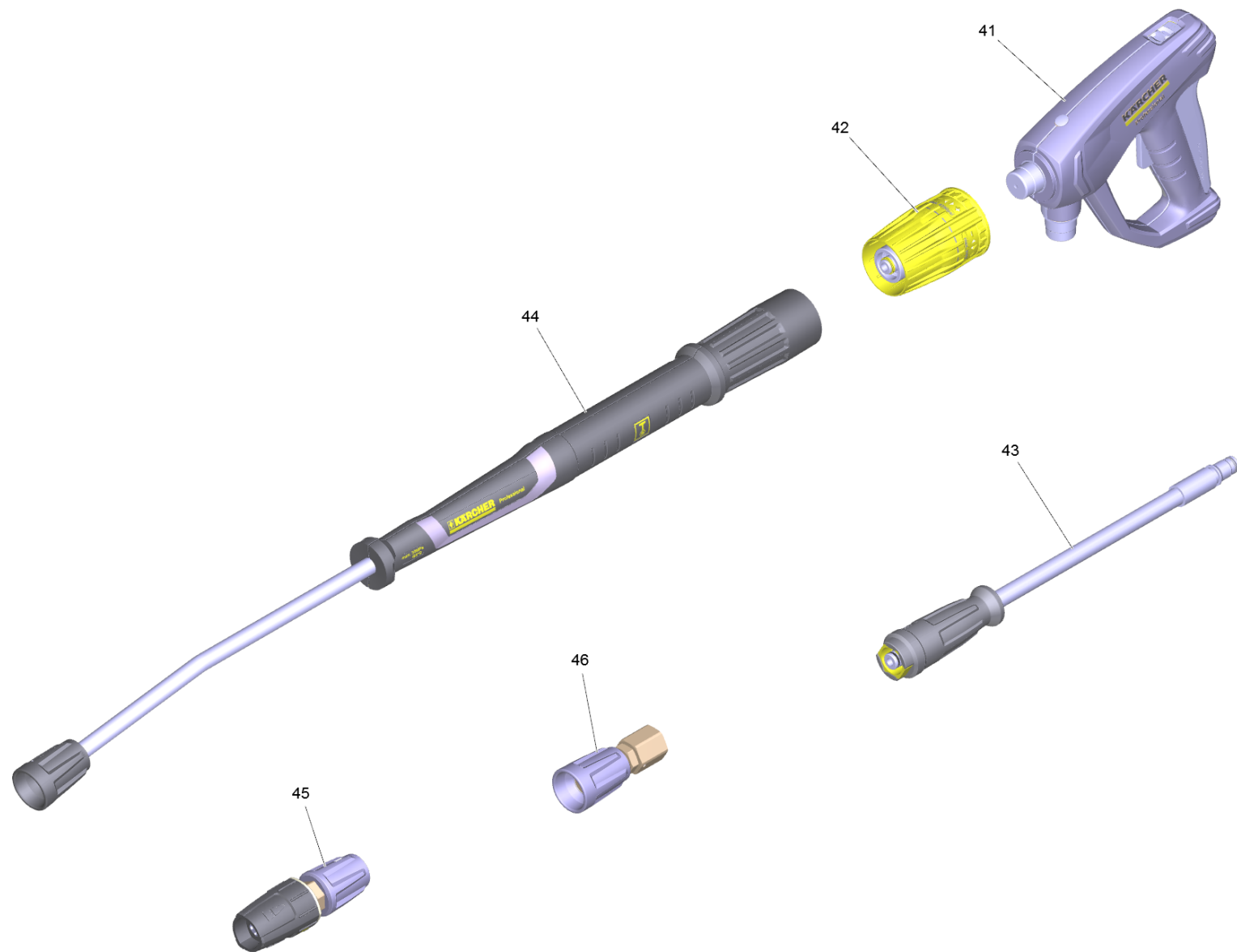
22 Thrust guidance

POS	Article no.	Description	Quantity	Unit
1	4.553-242.0	Piston complete	3	PC
2	5.062-754.3	Thrust guidance	1	PC
3	6.363-077.0	O-Ring seal 75x3	1	PC
4	7.303-047.0	Screw M6x16 -St-R3R (In6Rd)	2	PC
5	7.306-106.0	Cylinder head screw M8x70 -8.8-A2E ISO4	4	PC
6	6.365-340.0	Grooved ring 14X22X5/7	3	PC
7	5.115-744.0	Washer	3	PC
8	6.363-610.0	O-Ring seal 13 x 3 -NBR	3	PC
9	5.362-011.0	Joint ring	3	PC
10	5.112-811.0	Bush	3	PC
11	6.362-376.0	O-Ring seal 24,0 X 1,5	3	PC
12	5.115-465.0	Washer	3	PC
13	6.365-432.0	Grooved ring 14x22x5.3	3	PC



30 Motor

POS	Article no.	Description	Quantity	Unit
0	4.623-683.0	Motor complete	1	PC
1	5.070-639.0	Tank oil	1	PC
2	5.064-457.0	Cover plate qusty grey oil	1	PC
3	6.303-153.0	Screw M5x15-ST-R2R (IN6RD)	1	PC
4	5.094-148.0	Bearing cover B	1	PC
5	5.600-060.0	Blower wheel	1	PC
6	5.692-081.0	Air circulation	1	PC
7	6.303-320.0	Screw M 5x 20-St-R2R	4	PC
9	7.367-001.0	Radial shaft seal ring A24x37x7 -NBR DI	1	PC
10	6.401-427.0	Angular contact ball bearing	1	PC
11	5.802-288.0	Mounting part	2	PC
12	4.120-213.0	Wobble plate	1	PC
13	7.303-108.0	Screw 5x20 -10.9-R2R (In6Rd)	2	PC
14	6.362-161.0	O-Ring seal 19,3 X 2,4	1	PC
15	7.306-042.0	Cylinder head screw M8x25 -8.8-A2E ISO4	1	PC
17	6.288-016.0	Gear oil 1L	1	PC
18	5.767-005.0	Rubber buffer	4	PC
19	7.401-128.0	Ball bearing 6202-2RS -Wälzl.St DIN 625	1	PC
22	7.312-277.0	Washer 8-200HV-A2E ISO7093-1	1	PC
23	7.313-004.0	Spring washer B 8-FSt-A3E DIN 127	1	PC

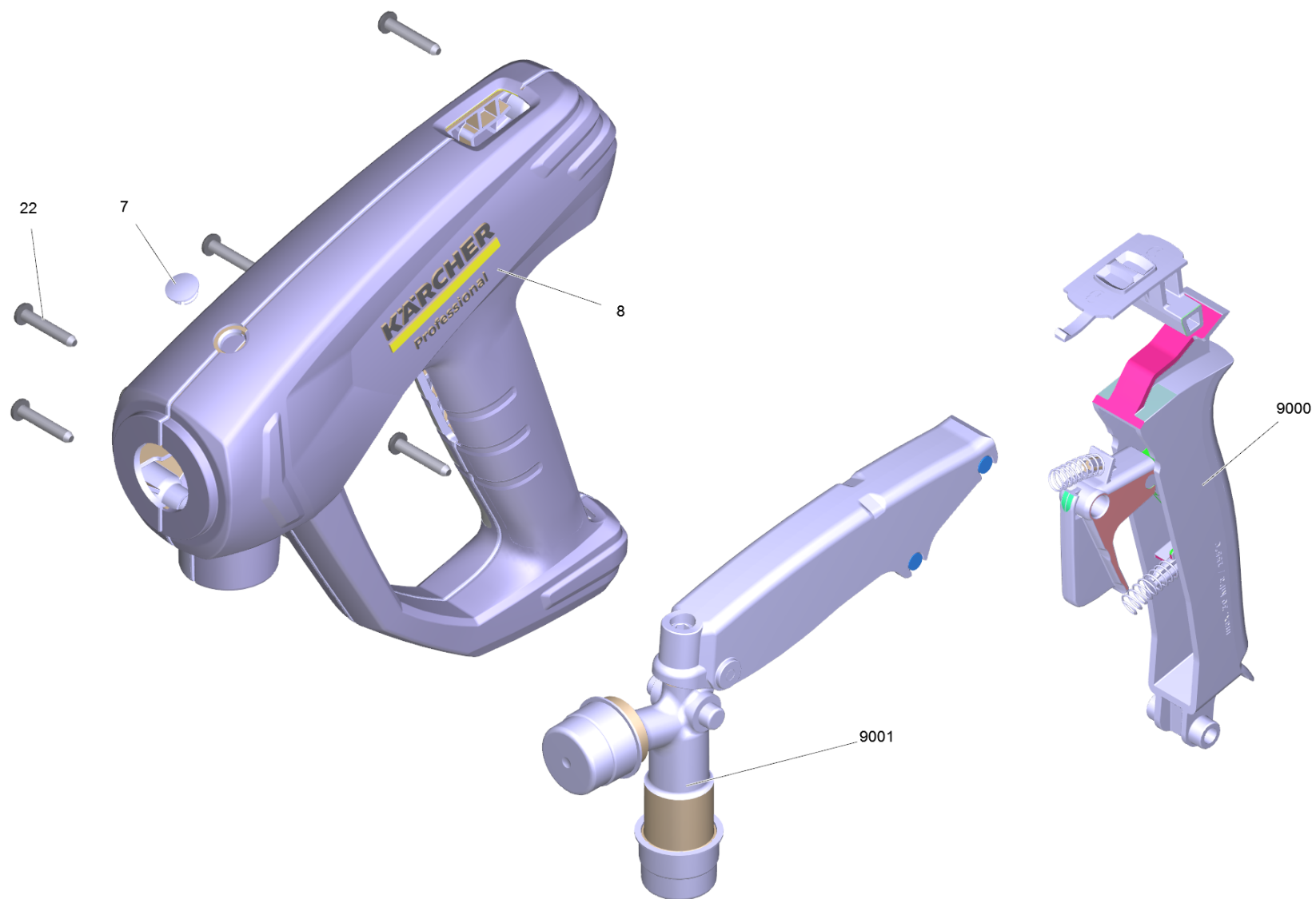


40 Accessories

POS	Article no.	Description	Quantity	Unit
41	4.118-015.0	EASY!Force Advanced Food	1	PC
42	4.118-007.0	Rotary controller TR 270L	1	PC
43	6.110-074.0	Hose assembly TR hygiene DN6 25MPa 15m	1	PC
44	4.112-006.0	Jet pipe TR 840 mm	1	PC
45	4.117-040.0	Triple jet nozzle TR 060	1	PC
46	4.111-038.0	Screw union TR nozzle TR22-TR20	1	PC

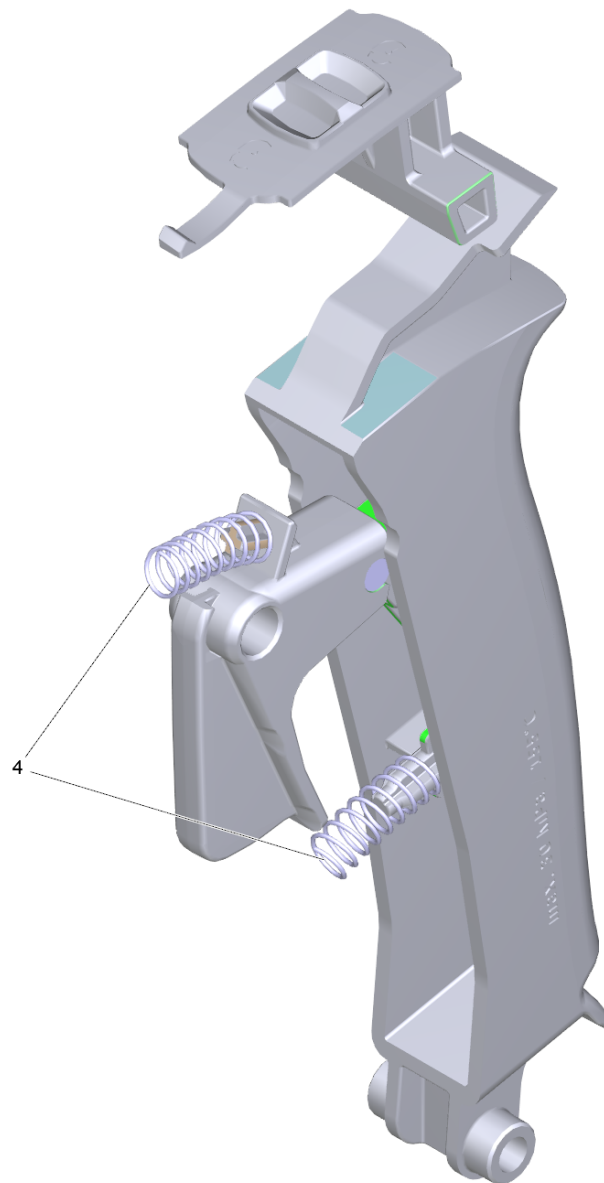
41 EASY!Force Advanced Food (4.118-015.0)

POS	Description	Quantity	Unit
1	Food gun trapezoidal thread EH 155	1	PC



1 Food gun trapezoidal thread EH 155

POS	Article no.	Description	Quantity	Unit
7	5.132-001.0	Plug	1	PC
8	5.321-136.3	Handhold few EH 155 only for replacement	1	PC
22	7.303-096.0	Screw 4x22 -ST-10.9-R2R (IN6RD)	7	PC
9000	2.885-484.0	Spare part set lever Food	1	PC
9001	4.427-021.0	Manifold TR only for replacement Food	1	PC

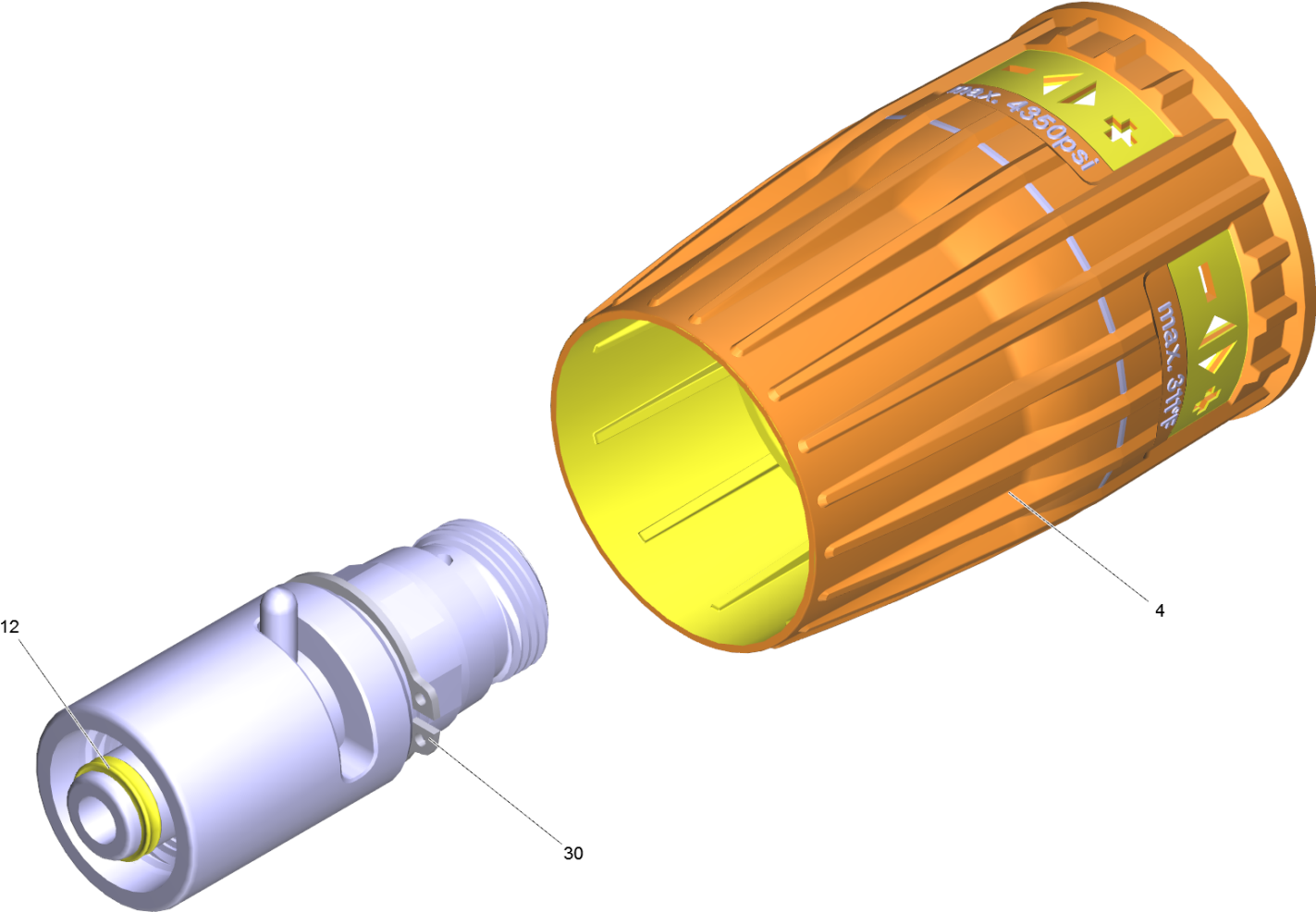


9000 Spare part set lever Food (2.885-484.0)

POS	Article no.	Description	Quantity	Unit
4	5.332-178.0	Helical spring	2	PC

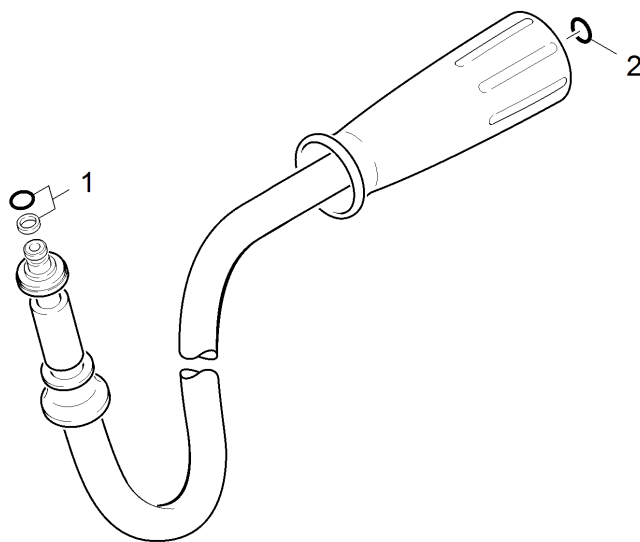
42 Rotary controller TR 270L (4.118-007.0)

POS	Description	Quantity	Unit
1	Rotary controller TR 270L	1	PC



1 Rotary controller TR 270L

POS	Article no.	Description	Quantity	Unit
4	5.321-364.3	Handhold rotary controller	1	PC
12	2.880-001.0	Spare part set seals TR	1	PC
30	7.343-069.0	Locking ring 25x1,2-1.4122 DIN 471	1	PC

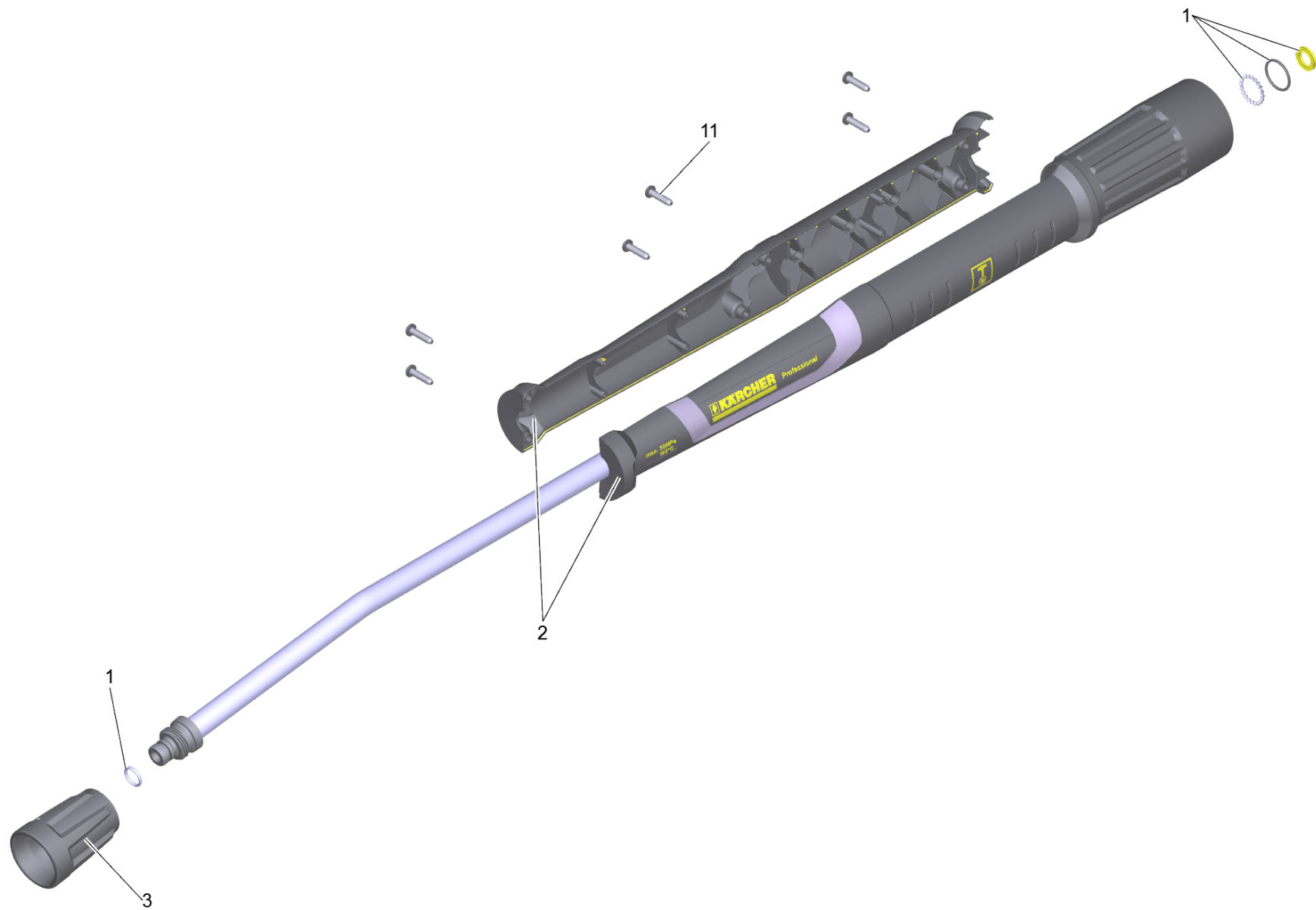


43 Hose assembly TR hygiene DN6 25MPa 15m (6.110-074.0)

POS	Article no.	Description	Quantity	Unit
1	4.363-691.0	O-Ring seal kpl. -nur fuer Ersatz-	1	PC
2	2.880-990.0	Spare part set O-Ring 5x -Kaercher	1	PC

44 Jet pipe TR 840 mm (4.112-006.0)

POS	Description	Quantity	Unit
1	Jet pipe TR 840 mm	1	PC

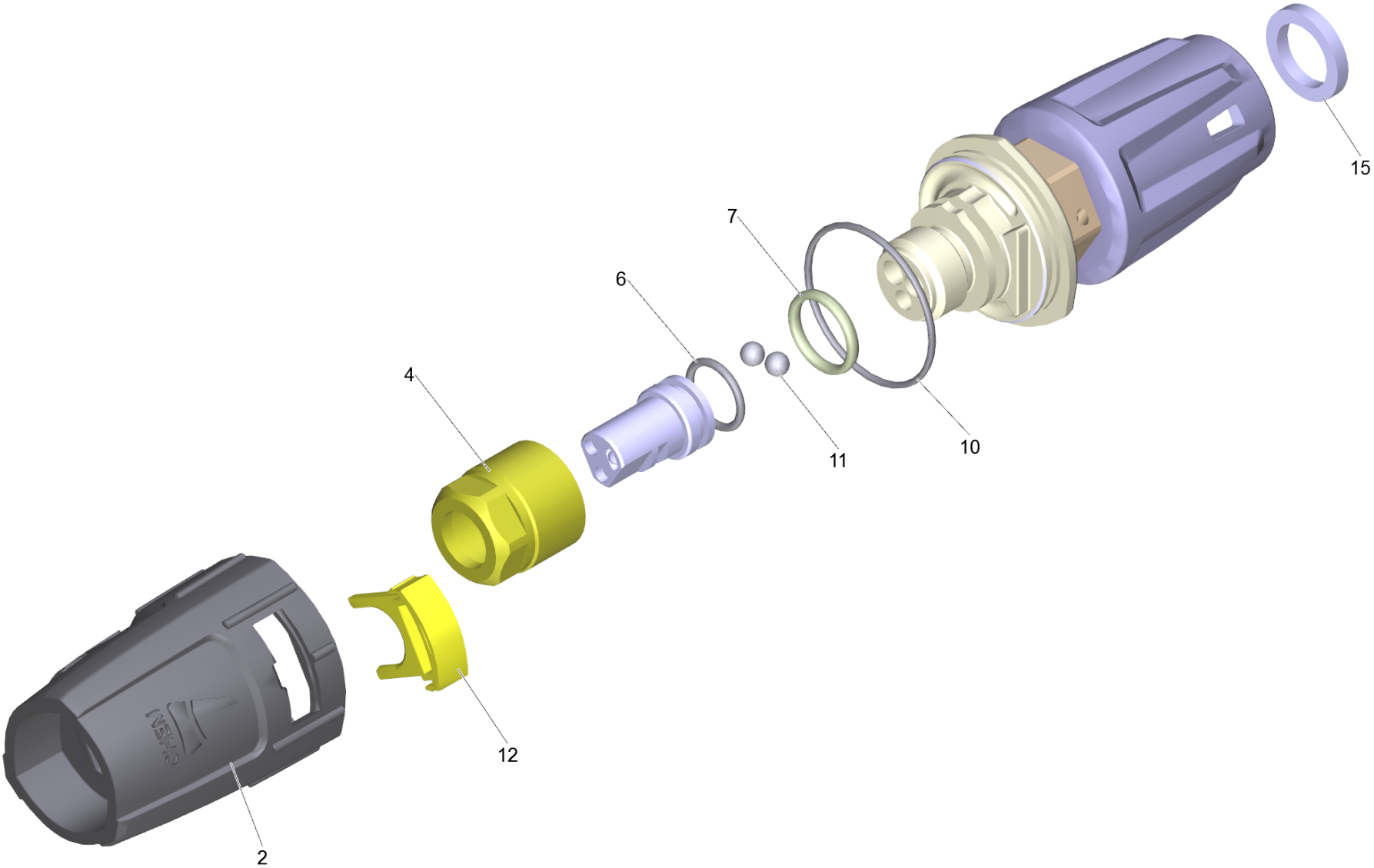


1 Jet pipe TR 840 mm

POS	Article no.	Description	Quantity	Unit
1	4.100-688.0	Spare part set seal TR	1	PC
2	5.321-018.3	Handle bowl jet pipe only for replacemen	1	PC
3	4.112-011.0	Protection part TR only for replacement	1	PC
11	7.303-129.0	Screw 4x16 -10.9-R2R (K-In6Rd)	6	PC

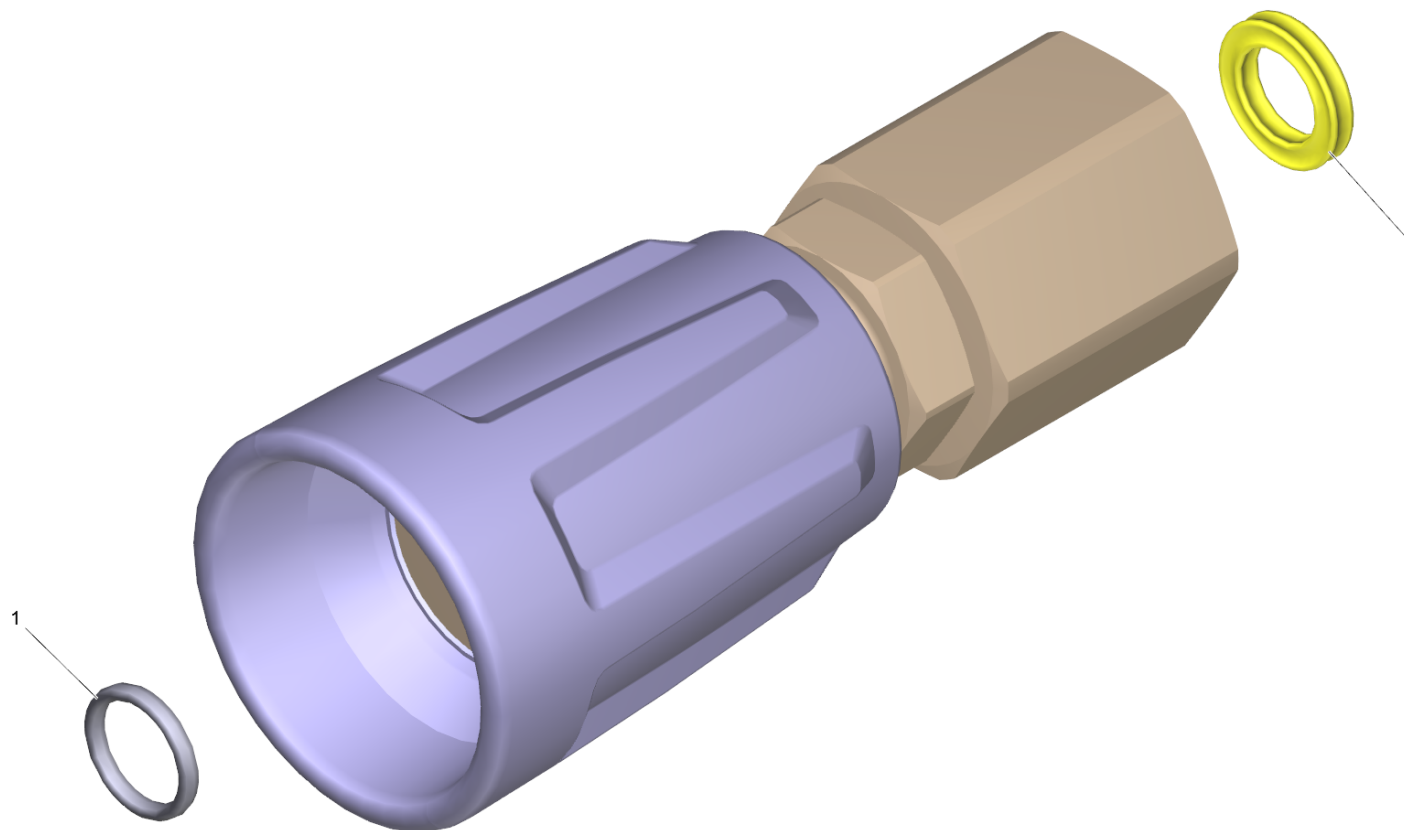
45 Triple jet nozzle TR 060 (4.117-040.0)

POS	Description	Quantity	Unit
1	Triple jet nozzle TR 060	1	PC



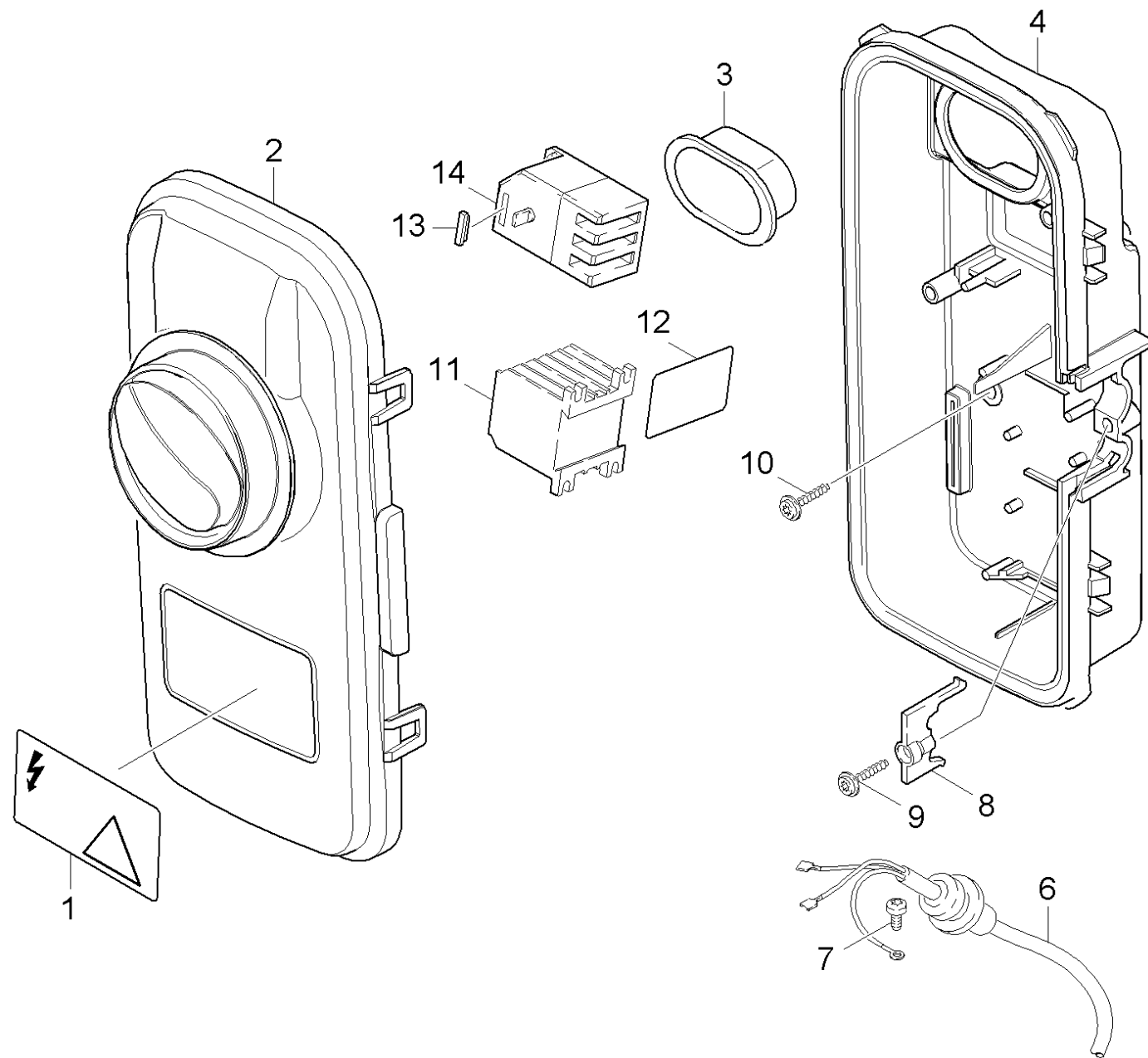
1 Triple jet nozzle TR 060

POS	Article no.	Description	Quantity	Unit
2	5.394-859.0	Protection part	1	PC
4	5.311-225.0	Nut	1	PC
6	6.362-480.0	O-Ring seal 12,42x 1,78	1	PC
7	6.362-460.0	O-Ring seal 14,0 X 2,5-NBR 70	1	PC
10	6.362-409.0	O-Ring seal 32,0 X 1,5	1	PC
11	7.401-902.0	Sphere 5 G20 -1.4034 DIN 5401	2	PC
12	5.321-884.0	Clamp	1	PC
15	6.363-696.0	Brake ring 14x20x3	1	PC



46 Screw union TR nozzle TR22-TR20 (4.111-038.0)

POS	Article no.	Description	Quantity	Unit
1	2.880-001.0	Spare part set seals TR	1	PC



50 Electric box

POS	Article no.	Description	Quantity	Unit
1	5.388-512.0	Label	1	PC
2	4.063-910.0	Cover complete only for replacement	1	PC
3	5.365-181.0	Profile gasket	1	PC
4	5.061-000.0	Housing	1	PC
6	6.649-134.0	Cable with plug	1	PC
7	7.303-031.0	Screw M4x10 -St-P2R (In6Rd)	1	PC
8	5.263-051.0	Tensioning part	1	PC
9	7.303-109.0	Screw 5x25 -10.9-R2R (In6Rd)	1	PC
10	6.303-153.0	Screw M5x15-ST-R2R (IN6RD)	3	PC
11	6.632-173.0	Contactora 4,0KW/400V	1	PC
12	5.048-251.0	Plate	1	PC
13	6.630-049.0	Cap	1	PC
14	6.631-190.0	Motor protecting switch	1	PC