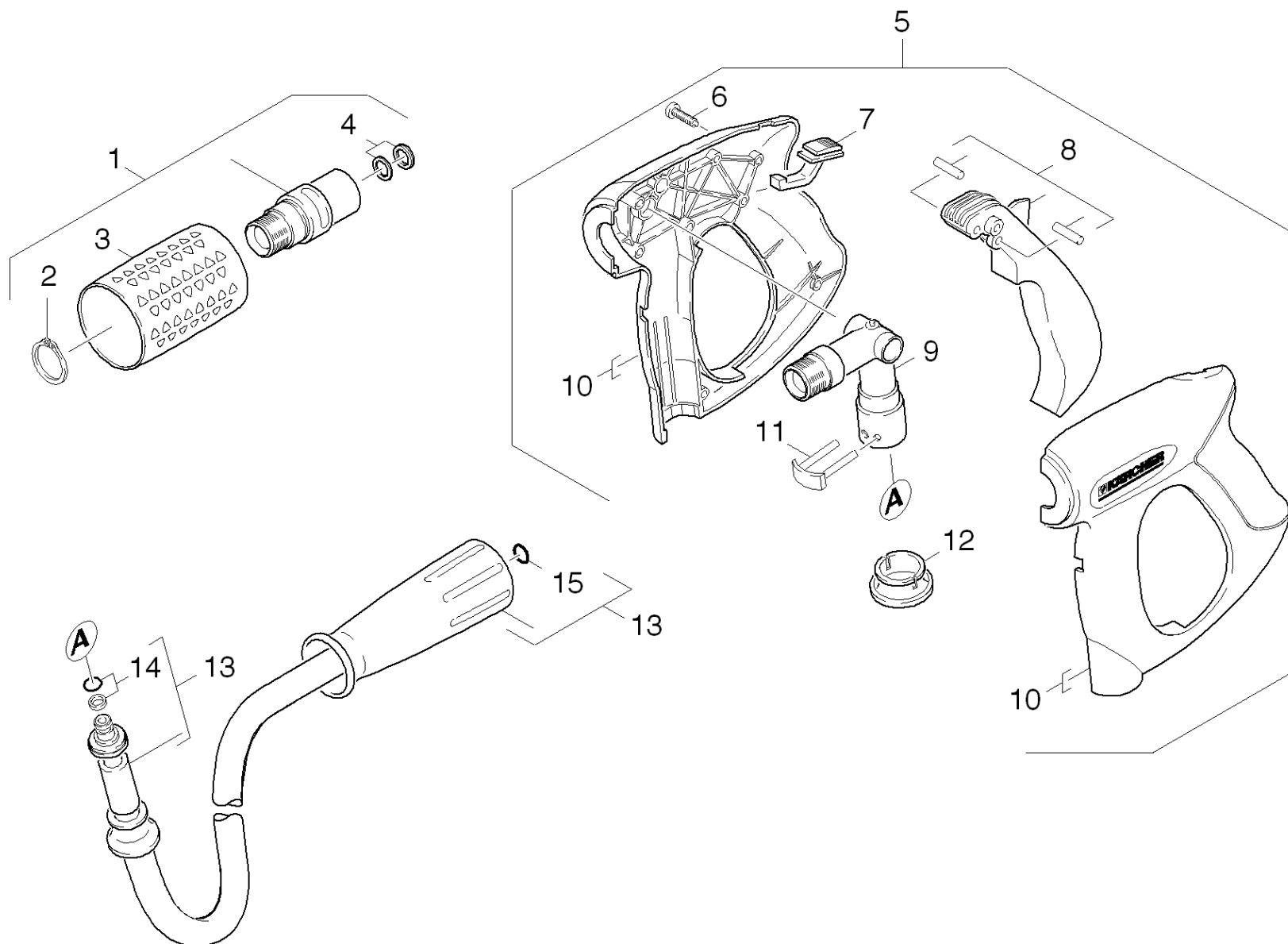


41 Hand trigger gun

Overview technical documents/Professional/High pressure cleaner cold water/Electric motor/HD 10/23-4SX PLUS*EU-I (1.286-330.0)/Spare parts list HD 10/21 S/40 Accessories/41 Hand trigger gun



41 Hand trigger gun

Overview technical documents/Professional/High pressure cleaner cold water/Electric motor/HD 10/23-45X PLUS*EU-I (1.286-330.0)/Spare parts list HD 10/21 S/40 Accessories/41 Hand trigger gun

Rez.daļas/nodil.pakļ.daļas	Poz.	Materiāla Nr.	Nosaukums	Daudzums	Pārdoš. vienība	no sēr. Nr..	līdz sēr. Nr.
X-X	1	4.775-470.0	Rotary controller 416L	1.000	ST	0000000000	0000000000
Pozīcijas teksts: 1.286-326.0							
X-X	2	7.343-008.0	Bloķētājgredzens 25x1,2-St-vz DIN 471	1.000	ST	0000000000	0000000000
Pozīcijas teksts: 1.286-326.0							
X	3	5.321-668.0	Handle	1.000	ST	0000000000	0000000000
Pozīcijas teksts: 1.286-326.0							
X-X	4	4.363-695.0	Grooved ring	1.000	ST	0000000000	0000000000
Pozīcijas teksts: 1.286-326.0							
X-X	5	4.775-463.0	Hand Trigger Gun	1.000	ST	0000000000	0000000000
Pozīcijas teksts: 1.286-320.0 /-323.0 /-325.0 /-326.0 /-328.0 /-329.0 /-331.0							
	6	7.303-096.0	Skrūve 4x22 -ST-10.9-R2R (IN6RD)	7.000	ST	0000000000	0000000000
	7	5.481-331.0	Slīdnis	1.000	ST	0000000000	0000000000
X	8	4.481-209.0	level complete	1.000	ST	0000000000	0000000000
X-X	9	4.427-215.0	Spare part	1.000	ST	0000000000	0000000000
X	10	5.321-669.0	Tureklis	1.000	ST	0000000000	0000000000
X-X	11	4.037-013.0	Spare part	1.000	ST	0000000000	0000000000
X-X	12	5.110-596.0	Uzmava	1.000	ST	0000000000	0000000000
X-X	13	6.391-351.0	augstsp. šjūtene Long Life 10m DN8	1.000	ST	0000000000	0000000000
Pozīcijas teksts: / 1.286-320.0 /-325.0 /-328.0 /-329.0 /-331.0							
X-X	14	4.363-691.0	O-ring seal	1.000	ST	0000000000	0000000000
X-X	15	2.880-990.0	spare part set o ring from 2.880-296.0	1.000	ST	0000000000	0000000000