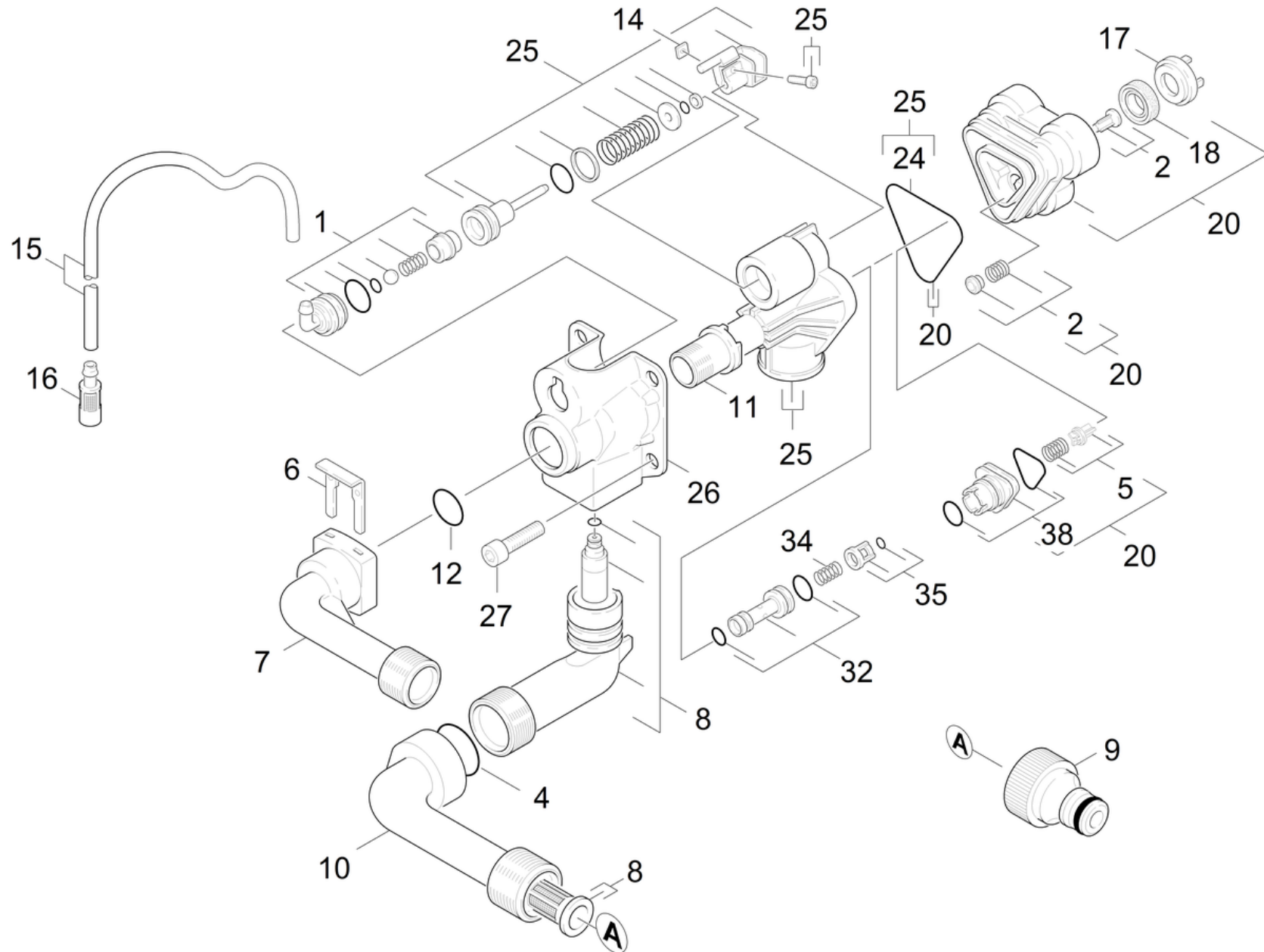


## 21 Housing

Home and Garden \ High pressure cleaner cold water \ Electric motor \ K 3 \ K 3.97MD-PLUS \*EU \ Spare parts list K 39X M \ Pump set \ Housing

**KÄRCHER**



## 21 Housing

Home and Garden \ High pressure cleaner cold water \ Electric motor \ K 3 \ K 3.97MD-PLUS \*EU \ Spare parts list K 39X M \ Pump set \ Housing

**KÄRCHER**

POS	Article no.	Description	Quantity	Unit	Foot note text
1	9.001-741.0	Aspiration cleaning agents for replaceme	1.000	ST	
2	9.001-110.0	Moulded part complete	1.000	ST	SET CONSISTS OF 3X MACHINED PART COMPL.
4	9.081-420.0	O-Ring d.17,86x2,62	1.000	ST	
5	9.001-149.0	Spare parts set valve	1.000	ST	SET CONSITSTS OF 3X VALVE
6	9.039-148.0	Metal fork	1.000	ST	
7	9.036-703.0	Connection delivery side	1.000	ST	
8	9.001-187.0	Inlet Elbow	1.000	ST	
9	6.465-031.0	Connection 3/4	1.000	ST	
10	9.036-801.0	Connection suction side black	1.000	ST	
11	9.036-444.0	Sleeve	1.000	ST	
12	6.362-151.0	O-Ring d. 10 x 2 NBR 70	1.000	ST	
14	7.311-569.0	Square nut M4 -04-A2E DIN 562	1.000	ST	
15	6.388-216.0	Hose DN 5	1.000	M	TO ORDER AS CUT GOODS
16	5.731-652.0	Filter with weight	1.000	ST	
17	9.036-322.0	Supporting disk	3.000	ST	
18	6.362-875.0	Grooved ring	3.000	ST	
20	9.001-105.0	Spare parts set cylinder head	1.000	ST	
24	9.081-422.0	Form seal	1.000	ST	
25	9.001-104.0	Spare parts set control head	1.000	ST	
26	9.039-117.0	Cover	1.000	ST	
27	9.086-200.0	Screw M 8x55 Class 8.8	4.000	ST	
32	9.001-108.0	Injector complete	1.000	ST	
34	9.047-026.0	Spring	1.000	ST	
35	9.001-107.0	Cage complete	1.000	ST	
38	9.001-106.0	Joining piece	1.000	ST	