

Spare parts list

(2.763-026.0) Brush-head D 51 Bp

Table of contents

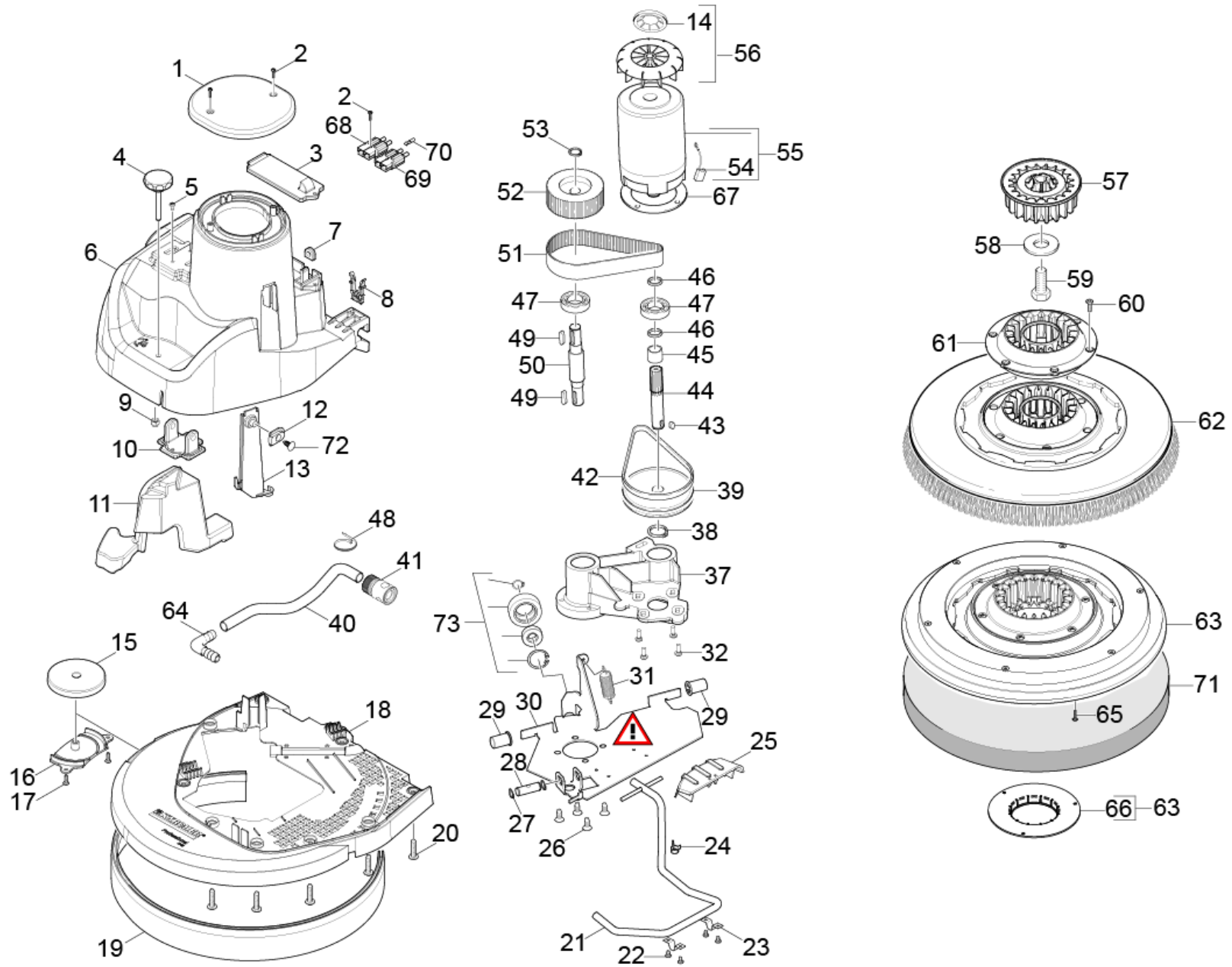
331 Brush-head D 51 Bp (2.763-026.0)	3
10 Brush-head D 51 Bp (2.763-026.7)	4
10 Power brush BD	5
21 Lever complete BD 40 (4.035-435.0)	9
62 Disc brush complete red D51 (4.905-026.0)	10
62 Disc brush complete nature D51 (4.905-027.0)	12
62 Disc brush complete white D51 (4.905-028.0)	14
62 Disc brush complete black D51 (4.905-029.0)	16
63 Pad disk complete D51 (4.762-534.0)	18
11 Power brush BD	20
21 Lever complete BD 40 (4.035-435.0)	24
62 Disc brush complete red D51 (4.905-026.0)	25
62 Disc brush complete nature D51 (4.905-027.0)	27
62 Disc brush complete white D51 (4.905-028.0)	29
62 Disc brush complete black D51 (4.905-029.0)	31
63 Pad disk complete D51 (4.762-534.0)	33
20 Conversion kit brush-head	35
30 Conversion kit D51/R55C B60 Bp (4.036-075.0)	37
10 Conversion kit D51/R55C B60Bp	39

331 Brush-head D 51 Bp (2.763-026.0)

POS	Article no.	Description	Quantity	Unit
10	2.763-026.7	Brush-head D 51 Bp	1	PC

10 Brush-head D 51 Bp (2.763-026.7)

POS	Article no.	Description	Quantity	Unit	Foot note text
10		Power brush BD	1	PC	VERSION 1
11		Power brush BD	1	PC	VERSION 2
20		Conversion kit brush-head	1	PC	
30	4.036-075.0	Conversion kit D51/R55C B60 Bp	1	PC	



10 Power brush BD

POS	Article no.	Description	Quantity	Unit	Remark	Foot note text
1	5.035-500.0	Motor cover BD	1	PC		
2	7.303-107.0	Screw 5x16 -10.9-P2R (K-In6Rd)	4	PC		
3	5.035-386.0	Cover electric box	1	PC		
4	6.321-249.0	Star grip	1	PC		
5	7.303-038.0	Screw M5x12 -St-P2R (In6Rd)	2	PC		
6	5.035-411.0	Cover BD	1	PC		
7	6.648-064.0	Cable bushing	1	PC		
8	5.035-424.0	Snap-fit	2	PC		
9	7.311-514.0	Hexagon nut M 8-A2-70 ISO 7040	1	PC		
10	5.035-604.0	Suspension seal brush-head BD	1	PC		
11	5.035-693.0	Additional weight BD40W	1	PC		
12	5.035-673.0	Sliding shoe	1	PC		
13	5.035-674.0	Mounting plate brush-head D43 / D51	1	PC		
14	6.343-149.0	Quick-fastener	1	PC		
15	5.035-499.0	Deflector roll	1	PC		
16	5.035-498.0	Fixing deflector roll	1	PC		
18	5.035-415.0	Cover disk D51	1	PC	D51	
19	5.035-695.3	Splash-proof profile D51	1	PC	D51	
20	6.303-315.0	Screw 8 x 35	11	PC		
21	4.035-435.0	Lever complete BD 40	1	PC		
22	7.303-328.0	Screw M5x8 -St-flZn/nc480h/C (In6Rd)	4	PC		
23	6.373-689.0	Pipe clamp	2	PC		
24	6.388-559.0	Hose clip	1	PC		
25	5.481-370.0	Pedal lever notch	1	PC		
26	7.303-226.0	Countersunk screw M8x20-St-A3E DIN7500(I	4	PC		
27	7.343-036.0	Locking ring 14x1-FST-RF DIN 471	2	PC		
28	5.035-683.0	Bolt contact pressure adjustment	1	PC		
29	5.035-711.0	Bearing bush	2	PC		
30	4.035-438.0	Base plate transmission complete	1	PC		
31	6.330-093.0	Extension spring	1	PC		
32	7.306-090.0	Screw M6x16 -8.8-P2R (In6Rd)	4	PC		
37	5.044-897.0	Holder belt drive	1	PC		

10 Power brush BD

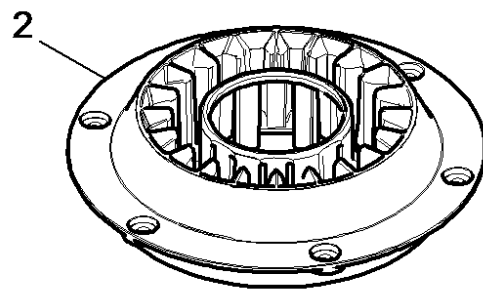
POS	Article no.	Description	Quantity	Unit	Remark	Foot note text
38	7.343-007.0	Locking ring 20x1,2-FST-RF DIN 471	1	PC		
39	5.625-403.0	Toothed lock washer 125Z	1	PC		
40	6.388-248.0	Hose DN12,7	1	m		TO ORDER AS CUT GOODS
41	2.645-191.0	Hose coupling entry Universal	1	PC		
42	6.348-383.0	Toothed belt HTD-447-3M-15 CXPIII	1	PC		
43	7.318-004.0	Parallel key A 6x6x12-C45K DIN 6885-1	1	PC		
44	5.100-379.0	Shaft belt drive 2	1	PC		
45	5.112-619.0	Bush for belt drive	1	PC		
46	5.112-616.0	Bush	2	PC		
47	7.401-173.0	Ball bearing 6204-2RS-WAELZLAGST DIN 625	4	PC		
48	6.641-463.0	Cable tape	2	PC		
49	7.318-031.0	Parallel key 6x6x28 -C45K DIN 6885-1	2	PC		
50	5.100-378.0	Shaft belt drive 1 BD 530	1	PC		
51	6.348-384.0	Toothed belt HTD-475-5M-40 CXPIII	1	PC		
52	5.625-402.0	Toothed lock washer 63Z	1	PC		
53	7.343-018.0	Locking ring 18x1,2-Rf-St DIN 471	1	PC		
54	6.610-239.0	Carbon brush set ATAS	1	PC		
55	4.623-077.0	Direct current motor replacement Hengye	1	PC	BAT	
56	6.613-025.0	Blower wheel	1	PC	BAT	
57	5.037-537.0	Retainer transmission	1	PC		
58	7.312-268.0	Washer 8 -A2 ISO 7094	1	PC		
59	6.304-176.0	Hexagonal head screw M8x16-A4-70 ISO 401	1	PC		
60	7.303-112.0	Screw 6x20 -10.9-R2R (In6Rd)	6	PC		
61	5.033-002.0	Retainer brush SWS	1	PC		
62	4.905-026.0	Disc brush complete red D51	1	PC		
62	4.905-027.0	Disc brush complete nature D51	1	PC		
62	4.905-028.0	Disc brush complete white D51	1	PC		
62	4.905-029.0	Disc brush complete black D51	1	PC		
63	4.762-534.0	Pad disk complete D51	1	PC	D51	
63	4.762-593.0	Pad disk complete STRONG D51	1	PC	D51	ATTENTION! FITS ONLY TO PAD "MELAMIN"

10 Power brush BD

POS	Article no.	Description	Quantity	Unit	Remark	Foot note text
63	9.753-054.0	Pad disk complete D51	1	PC		
64	6.388-628.0	Elbow connector 1/2"	1	PC		
65	7.303-096.0	Screw 4x22-ST-10.9-R2R (IN6RD)	3	PC		
66	5.122-015.0	Centerlock	1	PC		
67	5.114-480.0	Ring motor	1	PC	D51	
68	6.643-047.0	Plug red complete 75A 12mm ²	1	PC	BAT	
69	6.643-048.0	Plug blue complete 75A 12mm ²	1	PC	BAT	
70	6.646-979.0	Switch contact 6 mm ²	1	PC	BAT	
71	6.371-259.0	Diamond pad yellow set 5x Ø457	1	PC		
71	9.380-053.0	PAD GREEN Ø 510mm (H0001779646)	1	PC		
71	6.371-320.0	Polishing pad white D508	1	PC		
71	6.371-261.0	Diamond pad yellow set 5x Ø508	1	PC		
71	6.371-260.0	Diamond pad white set 5x Ø508	1	PC		
71	6.371-025.0	Pad set 2x D 508 Melamin	1	PC		FITS ONLY TO DISK PAD "STRONG"
71	6.371-240.0	Diamond pad green set 5x Ø508	1	PC		
71	6.371-146.0	Polishing pad beige 500 mm	1	PC		
71	6.369-468.0	Polishing pad beige	1	ZSA		
71	6.369-079.0	Pad red	1	ZSA		
71	6.369-078.0	Pad green	1	ZSA		
71	6.369-077.0	Pad black	1	ZSA		
72	6.343-261.0	Quick-fastener	1	PC		
73	9.753-044.0	Brush contact pressure complete B 25	1	PC		

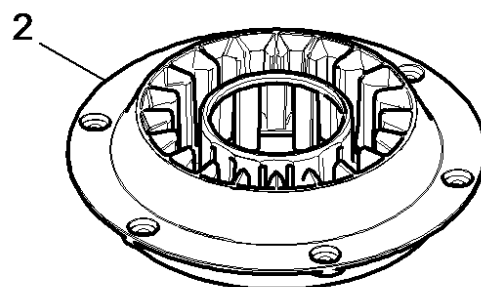
21 Lever complete BD 40 (4.035-435.0)

POS	Article no.	Description	Quantity	Unit
2	5.105-638.0	Axle	1	PC



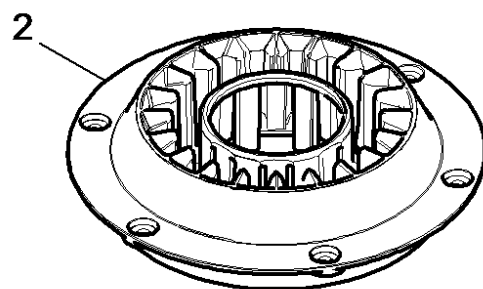
62 Disc brush complete red D51 (4.905-026.0)

POS	Article no.	Description	Quantity	Unit
2	5.033-002.0	Retainer brush SWS	1	PC



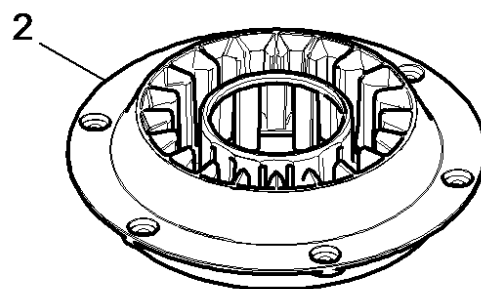
62 Disc brush complete nature D51 (4.905-027.0)

POS	Article no.	Description	Quantity	Unit
2	5.033-002.0	Retainer brush SWS	1	PC



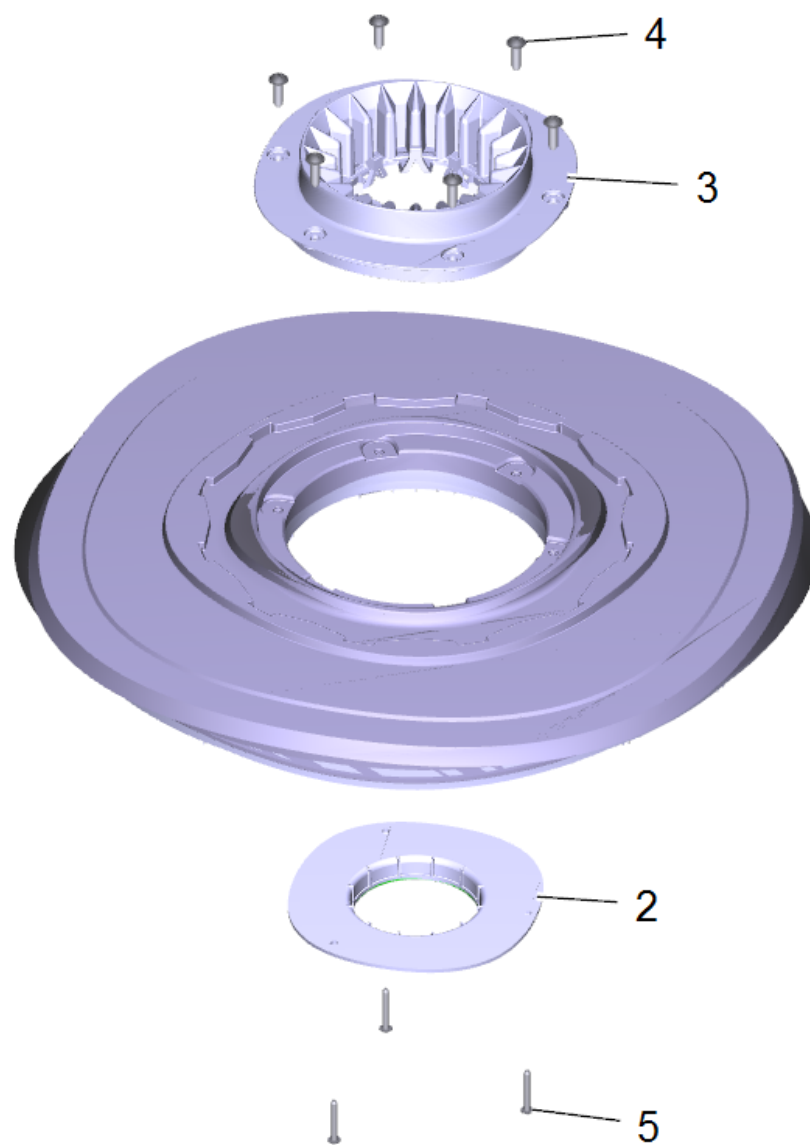
62 Disc brush complete white D51 (4.905-028.0)

POS	Article no.	Description	Quantity	Unit
2	5.033-002.0	Retainer brush SWS	1	PC



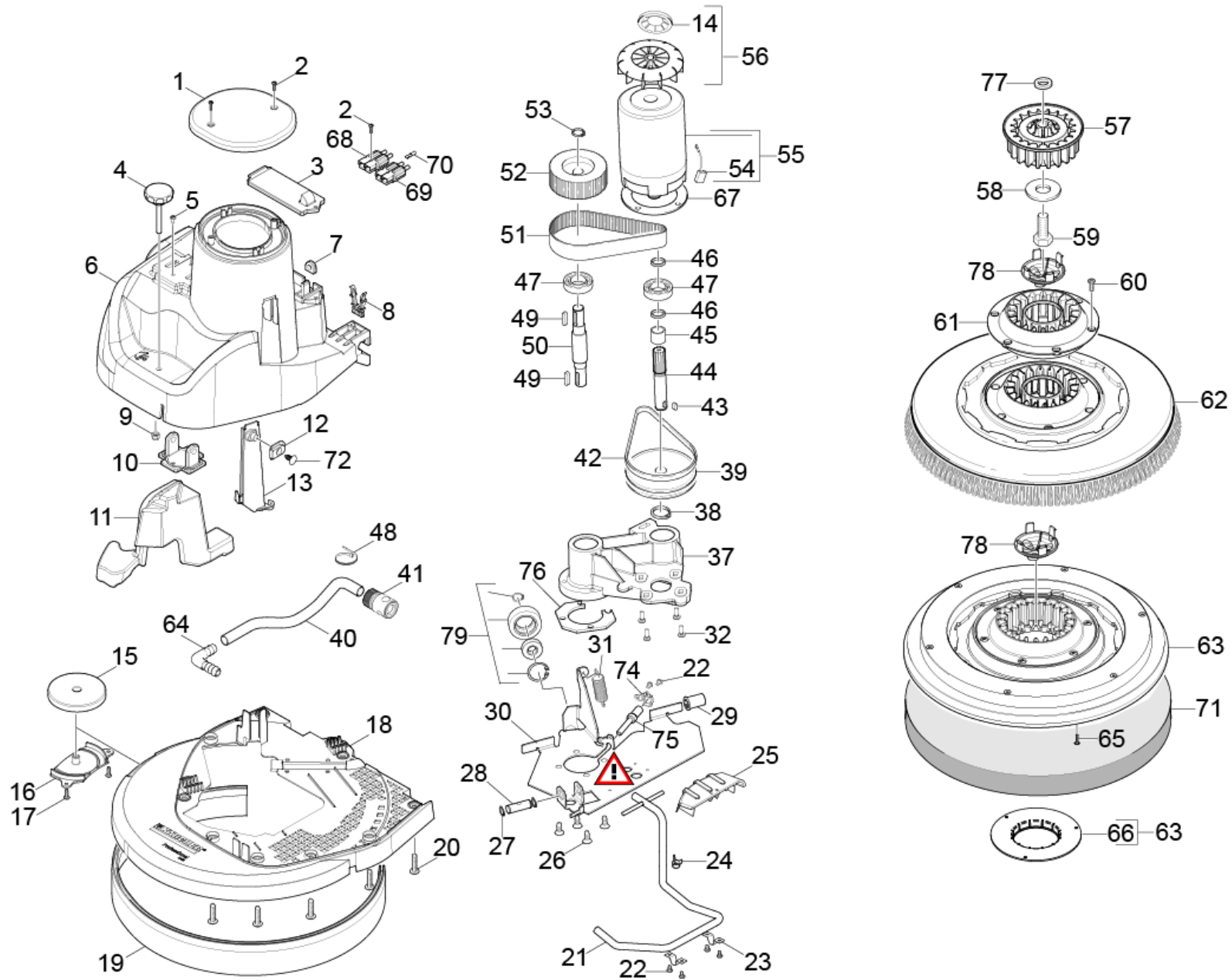
62 Disc brush complete black D51 (4.905-029.0)

POS	Article no.	Description	Quantity	Unit
2	5.033-002.0	Retainer brush SWS	1	PC



63 Pad disk complete D51 (4.762-534.0)

POS	Article no.	Description	Quantity	Unit
2	5.122-015.0	Centerlock	1	PC
3	5.033-002.0	Retainer brush SWS	1	PC
4	7.303-112.0	Screw 6x20 -10.9-R2R (In6Rd)	6	PC
5	7.303-096.0	Screw 4x22-ST-10.9-R2R (IN6RD)	3	PC



11 Power brush BD

POS	Article no.	Description	Quantity	Unit	Remark	Foot note text
1	5.035-500.0	Motor cover BD	1	PC		
2	7.303-107.0	Screw 5x16 -10.9-P2R (K-In6Rd)	4	PC		
3	5.035-386.0	Cover electric box	1	PC		
4	6.321-249.0	Star grip	1	PC		
5	7.303-038.0	Screw M5x12 -St-P2R (In6Rd)	2	PC		
6	5.035-411.0	Cover BD	1	PC		
7	6.648-064.0	Cable bushing	1	PC		
8	5.035-424.0	Snap-fit	2	PC		
9	7.311-514.0	Hexagon nut M 8-A2-70 ISO 7040	1	PC		
10	5.035-604.0	Suspension seal brush-head BD	1	PC		
11	5.035-693.0	Additional weight BD40W	1	PC		
12	5.035-673.0	Sliding shoe	1	PC		
13	5.035-674.0	Mounting plate brush-head D43 / D51	1	PC		
15	5.035-499.0	Deflector roll	1	PC		
16	5.035-498.0	Fixing deflector roll	1	PC		
18	5.035-415.0	Cover disk D51	1	PC	D51	
19	5.035-695.3	Splash-proof profile D51	1	PC	D51	
20	6.303-315.0	Screw 8 x 35	11	PC		
21	4.035-435.0	Lever complete BD 40	1	PC		
22	7.303-328.0	Screw M5x8 -St-flZn/nc480h/C (In6Rd)	6	PC		
23	6.373-689.0	Pipe clamp	2	PC		
24	6.388-559.0	Hose clip	1	PC		
25	5.481-370.0	Pedal lever notch	1	PC		
26	7.303-328.0	Screw M5x8 -St-flZn/nc480h/C (In6Rd)	4	PC		VERSION 2
27	7.343-036.0	Locking ring 14x1-FST-RF DIN 471	2	PC		
28	5.035-683.0	Bolt contact pressure adjustment	1	PC		
29	5.035-711.0	Bearing bush	2	PC		
30	4.035-438.0	Base plate transmission complete	1	PC		
31	6.330-093.0	Extension spring	1	PC		
32	7.306-090.0	Screw M6x16 -8.8-P2R (In6Rd)	4	PC		
37	5.044-897.0	Holder belt drive	1	PC		
38	7.343-007.0	Locking ring 20x1,2-FST-RF DIN 471	1	PC		
39	5.625-403.0	Toothed lock washer 125Z	1	PC		

11 Power brush BD

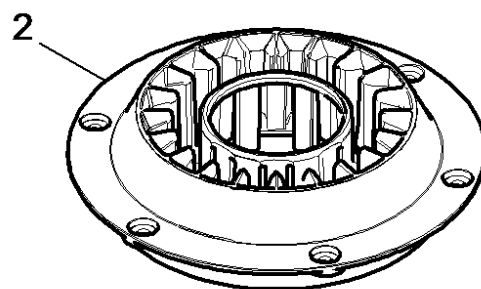
POS	Article no.	Description	Quantity	Unit	Remark	Foot note text
40	6.388-248.0	Hose DN12,7	1	m		TO ORDER AS CUT GOODS
41	2.645-191.0	Hose coupling entry Universal	1	PC		
42	6.348-383.0	Toothed belt HTD-447-3M-15 CXPIII	1	PC		
43	7.318-004.0	Parallel key A 6x6x12-C45K DIN 6885-1	1	PC		
44	5.100-379.0	Shaft belt drive 2	1	PC		
45	5.112-619.0	Bush for belt drive	1	PC		
46	5.112-616.0	Bush	2	PC		
47	7.401-173.0	Ball bearing 6204-2RS-WAELZLAGST DIN 625	4	PC		
48	6.641-463.0	Cable tape	2	PC		
49	7.318-031.0	Parallel key 6x6x28 -C45K DIN 6885-1	2	PC		
50	5.100-378.0	Shaft belt drive 1 BD 530	1	PC		
51	6.348-384.0	Toothed belt HTD-475-5M-40 CXPIII	1	PC		
52	5.625-402.0	Toothed lock washer 63Z	1	PC		
53	7.343-018.0	Locking ring 18x1,2-Rf-St DIN 471	1	PC		
54	6.610-239.0	Carbon brush set ATAS	1	PC		
55	4.623-077.0	Direct current motor replacement Hengye	1	PC	BAT	
56	6.613-025.0	Blower wheel	1	PC	BAT	
57	5.037-537.0	Retainer transmission	1	PC		VERSION 2
58	7.312-268.0	Washer 8 -A2 ISO 7094	1	PC		
59	7.304-516.0	Hexagonal head screw M8x20-A4-70 ISO 40	1	PC		VERSION 2
60	7.303-112.0	Screw 6x20 -10.9-R2R (In6Rd)	6	PC		
61	5.033-002.0	Retainer brush SWS	1	PC		
62	4.905-026.0	Disc brush complete red D51	1	PC		
62	4.905-027.0	Disc brush complete nature D51	1	PC		
62	4.905-028.0	Disc brush complete white D51	1	PC		
62	4.905-029.0	Disc brush complete black D51	1	PC		
63	4.762-534.0	Pad disk complete D51	1	PC	D51	
63	4.762-593.0	Pad disk complete STRONG D51	1	PC	D51	ATTENTION! FITS ONLY TO PAD "MELAMIN"
64	6.388-628.0	Elbow connector 1/2"	1	PC		
65	7.303-096.0	Screw 4x22-ST-10.9-R2R (IN6RD)	3	PC		

11 Power brush BD

POS	Article no.	Description	Quantity	Unit	Remark	Foot note text
66	5.122-015.0	Centerlock	1	PC		
67	5.114-480.0	Ring motor	1	PC	D51	
68	6.643-047.0	Plug red complete 75A 12mm ²	1	PC	BAT	
69	6.643-048.0	Plug blue complete 75A 12mm ²	1	PC	BAT	
70	6.646-979.0	Switch contact 6 mm ²	1	PC	BAT	
71	6.371-146.0	Polishing pad beige 500 mm	1	PC		
71	6.371-320.0	Polishing pad white D508	1	PC		
71	6.371-261.0	Diamond pad yellow set 5x Ø508	1	PC		
71	6.371-240.0	Diamond pad green set 5x Ø508	1	PC		
71	6.371-260.0	Diamond pad white set 5x Ø508	1	PC		
71	6.371-025.0	Pad set 2x D 508 Melamin	1	PC		FITS ONLY TO DISK PAD "STRONG"
71	6.369-468.0	Polishing pad beige	1	ZSA		
71	6.369-079.0	Pad red	1	ZSA		
71	6.369-078.0	Pad green	1	ZSA		
71	6.369-077.0	Pad black	1	ZSA		
72	6.343-261.0	Quick-fastener	1	PC		
74	5.047-072.0	Strap fixing	1	PC		VERSION 2
75	5.116-081.0	Reducer	1	PC		VERSION 2
76	5.047-065.0	Packing plate	1	PC		VERSION 2
77	5.112-018.0	Washer 18,2x30x5	1	PC		VERSION 2
78	5.037-490.0	Guide water D-Kopf	1	PC		ORDER ACCORDING TO CONSUMPTION
79	9.753-044.0	Brush contact pressure complete B 25	1	PC		

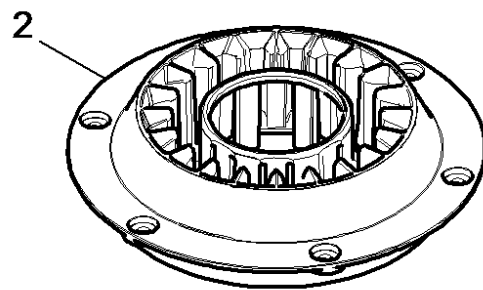
21 Lever complete BD 40 (4.035-435.0)

POS	Article no.	Description	Quantity	Unit
2	5.105-638.0	Axle	1	PC



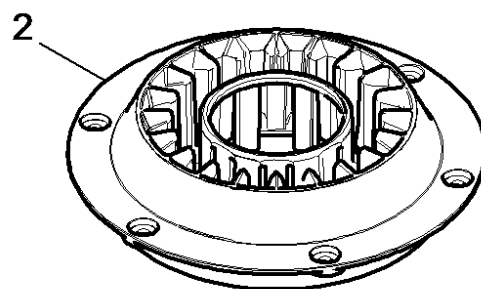
62 Disc brush complete red D51 (4.905-026.0)

POS	Article no.	Description	Quantity	Unit
2	5.033-002.0	Retainer brush SWS	1	PC



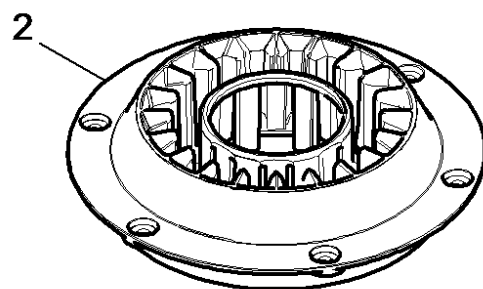
62 Disc brush complete nature D51 (4.905-027.0)

POS	Article no.	Description	Quantity	Unit
2	5.033-002.0	Retainer brush SWS	1	PC



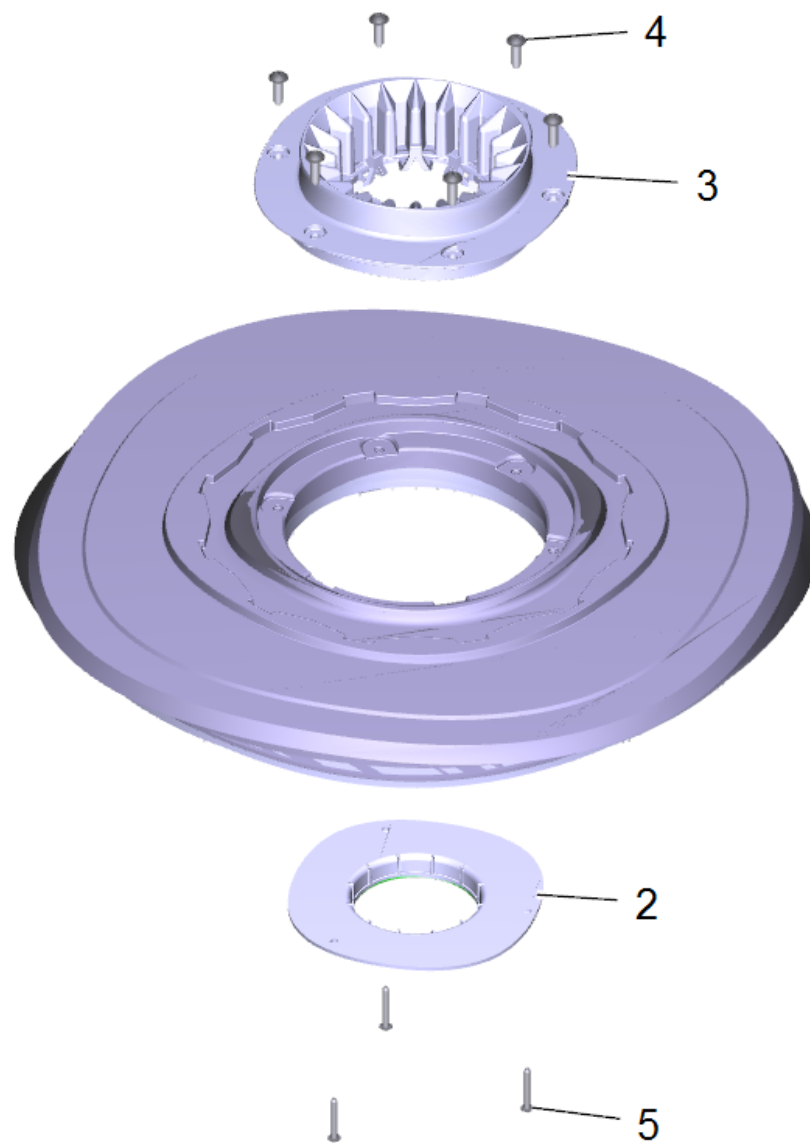
62 Disc brush complete white D51 (4.905-028.0)

POS	Article no.	Description	Quantity	Unit
2	5.033-002.0	Retainer brush SWS	1	PC



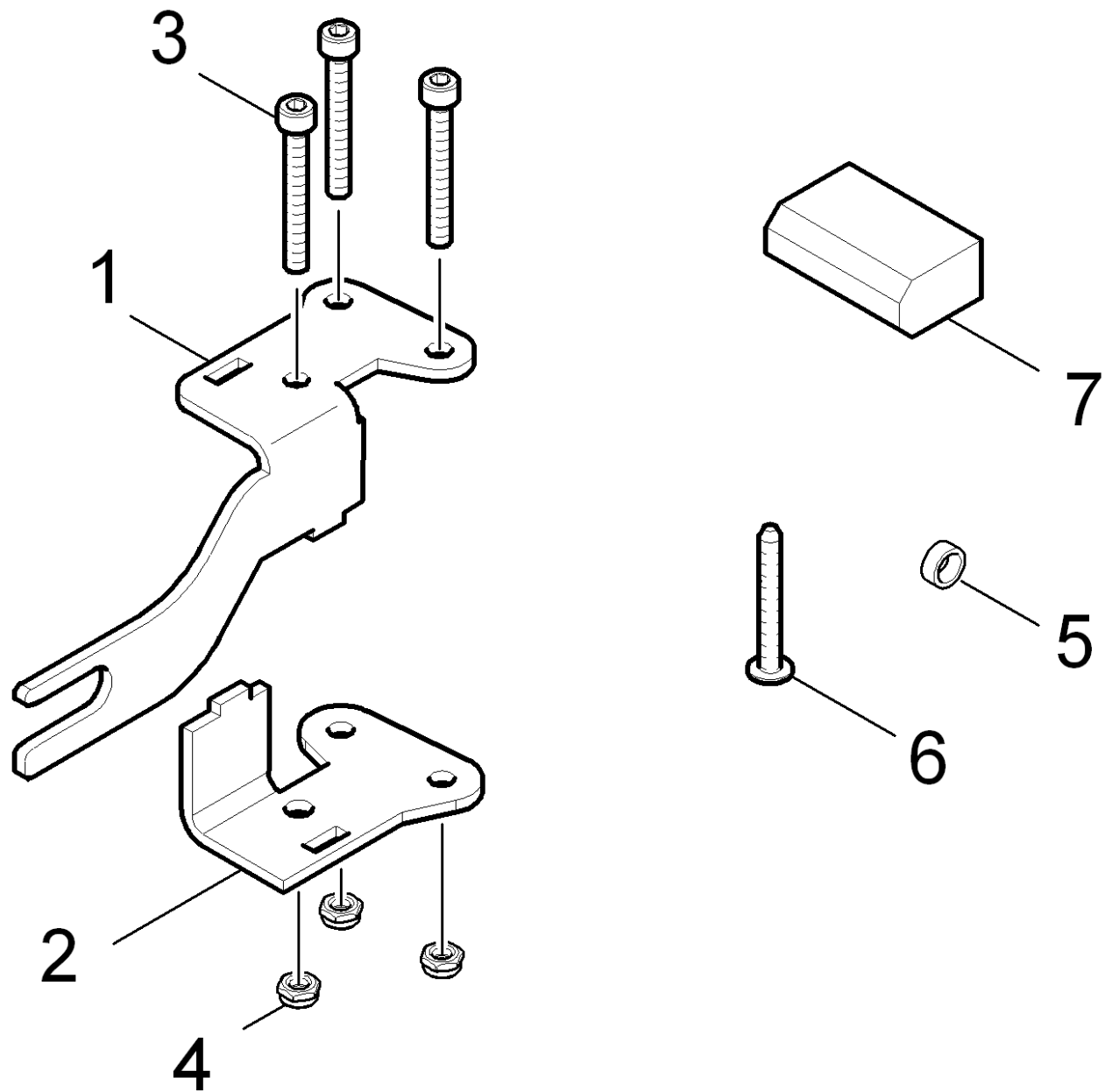
62 Disc brush complete black D51 (4.905-029.0)

POS	Article no.	Description	Quantity	Unit
2	5.033-002.0	Retainer brush SWS	1	PC



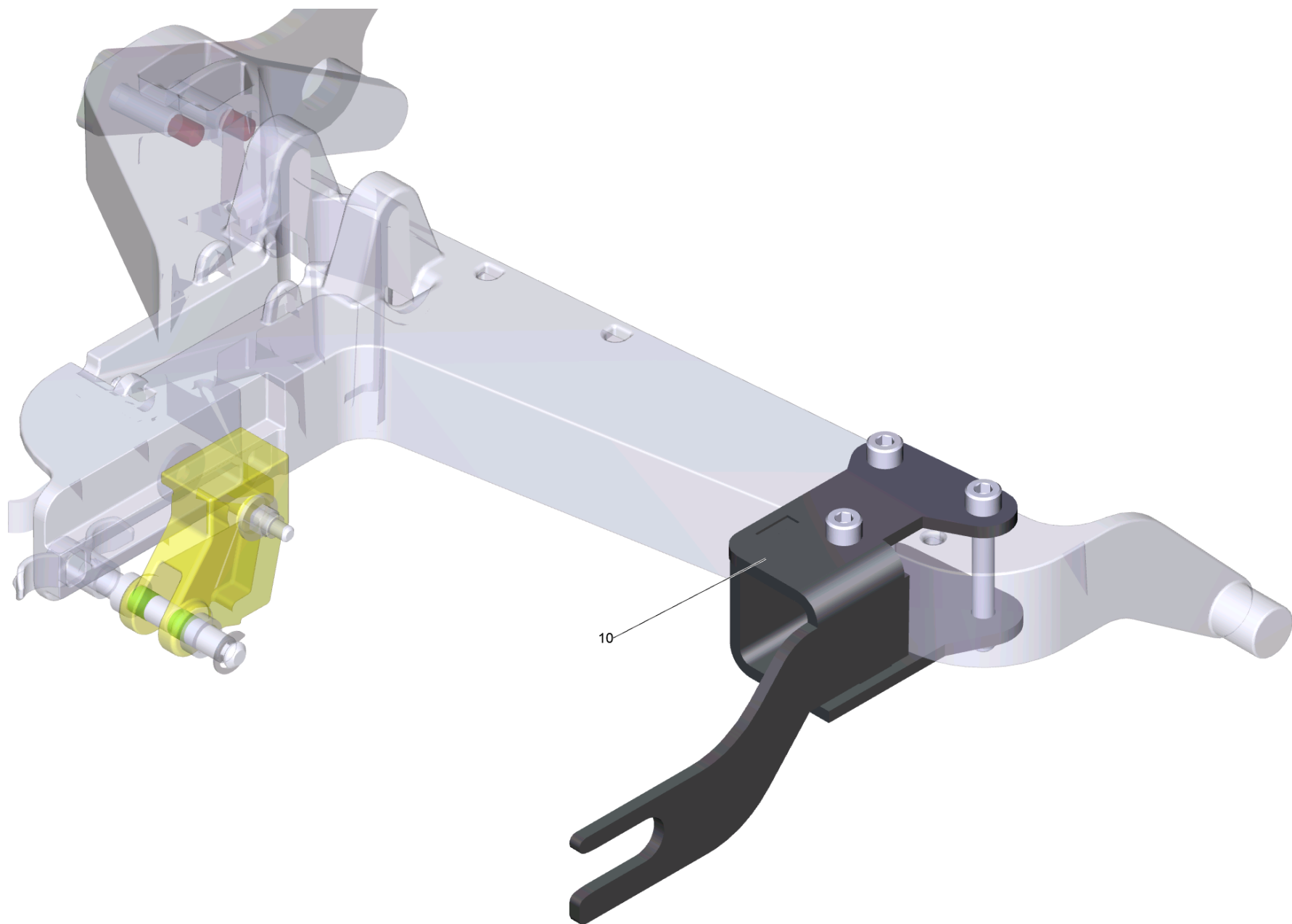
63 Pad disk complete D51 (4.762-534.0)

POS	Article no.	Description	Quantity	Unit
2	5.122-015.0	Centerlock	1	PC
3	5.033-002.0	Retainer brush SWS	1	PC
4	7.303-112.0	Screw 6x20 -10.9-R2R (In6Rd)	6	PC
5	7.303-096.0	Screw 4x22-ST-10.9-R2R (IN6RD)	3	PC



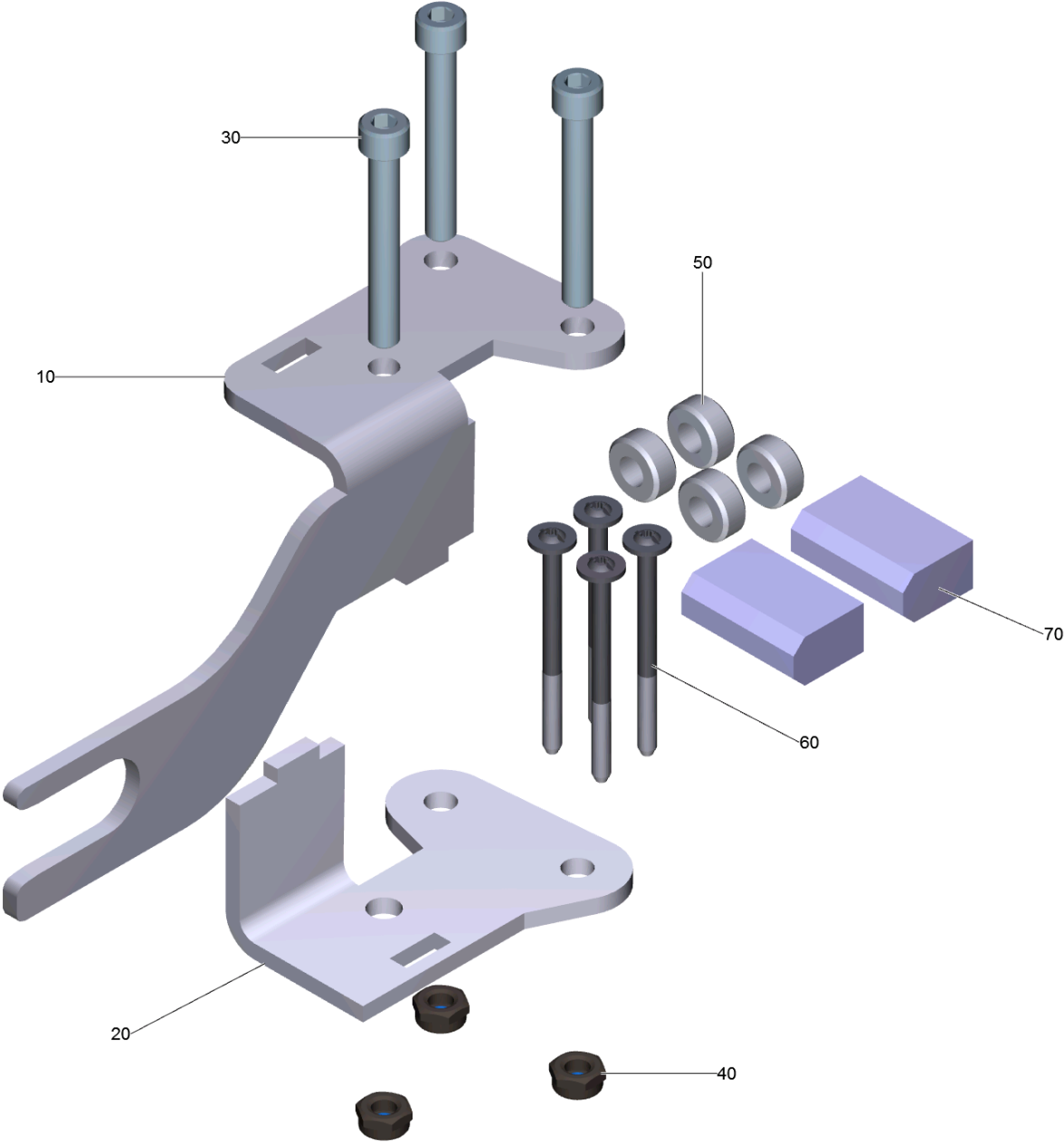
20 Conversion kit brush-head

POS	Article no.	Description	Quantity	Unit
1	5.035-776.0	Sheet metal bracket brush-head EP	1	PC
2	5.035-777.0	Sheet steel angle brush-head EP	1	PC
3	7.306-047.0	Cylinder head screw M8x60 -8.8-A2E ISO4	3	PC
4	7.311-427.0	Hexagon nut M8 -04-A2E DIN 985	3	PC
6	7.303-275.0	Screw 8x50-10.9-A3E (In6Rd)	4	PC
7	5.035-809.0	Pad B60 EP	2	PC



30 Conversion kit D51/R55C B60 Bp (4.036-075.0)

POS	Description	Quantity	Unit
10	Conversion kit D51/R55C B60Bp	1	PC



10 Conversion kit D51/R55C B60Bp

POS	Article no.	Description	Quantity	Unit
10	5.035-776.0	Sheet metal bracket brush-head EP	1	PC
20	5.035-777.0	Sheet steel angle brush-head EP	1	PC
30	7.306-047.0	Cylinder head screw M8x60 -8.8-A2E ISO4	3	PC
40	7.311-427.0	Hexagon nut M8 -04-A2E DIN 985	3	PC
60	7.303-275.0	Screw 8x50-10.9-A3E (In6Rd)	4	PC
70	5.035-809.0	Pad B60 EP	2	PC