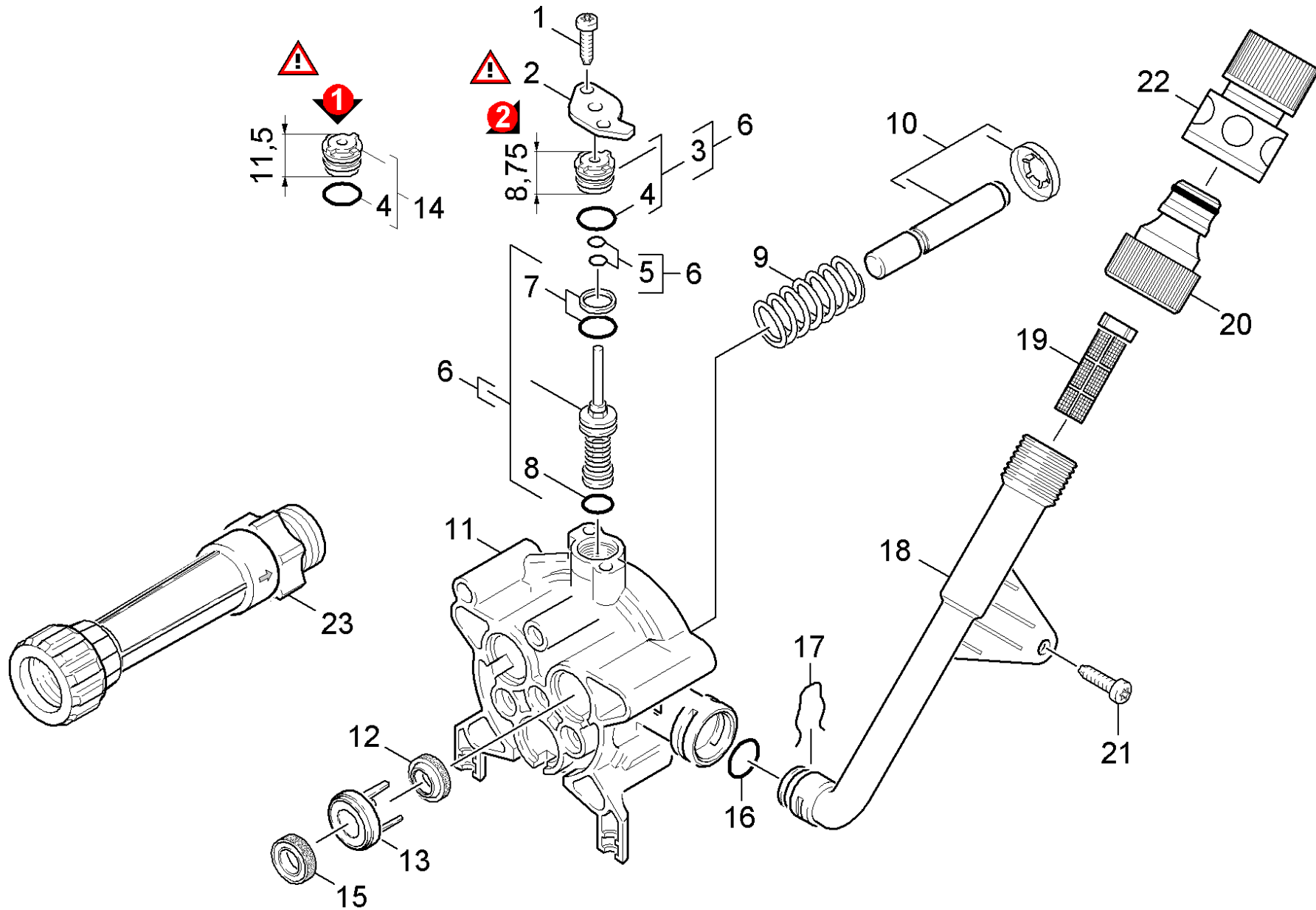


22 Thrust guidance

Home and Garden \ High pressure cleaner cold water \ Electric motor \ K 5 \ K 5.80M PLUS T250 *EU \ Spare parts list K 5.8X M \ Pump set \ Thrust guidance

KÄRCHER



22 Thrust guidance

Home and Garden \ High pressure cleaner cold water \ Electric motor \ K 5 \ K 5.80M PLUS T250 *EU \ Spare parts list K 5.8X M \ Pump set \ Thrust guidance



POS	Article no.	Description	Quantity	Unit	Remark
1	6.303-265.0	Self-tapping screw M6x20	2.000	ST	
2	5.064-127.0	Cover	1.000	ST	
3	4.030-123.0	Moulded part complete only for replaceme	1.000	ST	VERSION 2
4	6.362-169.0	O-Ring seal 12,0 X 2,0	1.000	ST	
5	6.362-852.0	O-Ring seal complete 3,69	1.000	ST	
6	4.580-675.0	Excess-current complete D5,9 PUR	1.000	ST	
7	6.363-174.0	O-Ring seal complete 12,42	1.000	ST	
8	6.363-614.0	O-Ring seal 9 x 2 -NBR90	1.000	ST	
9	5.332-391.0	Pressure spring	3.000	ST	
10	4.553-276.0	Piston complete D12	3.000	ST	
	Item text1: 1.396-304.0				
10	4.553-228.0	Piston complete D12	3.000	ST	
11	5.060-943.0	Piston guidance	1.000	ST	
12	6.365-393.0	Oil sealing 12x20x4/6	3.000	ST	
13	5.116-078.0	Washer K5..	3.000	ST	
14	4.030-069.0	Moulded part complete only for replaceme	1.000	ST	VERSION 1
15	6.362-875.0	Grooved ring	3.000	ST	
16	6.363-610.0	O-Ring seal 13 x 3 -NBR	1.000	ST	
17	5.048-915.0	Clamp	1.000	ST	
18	5.029-075.0	Tube water intake	1.000	ST	
19	5.731-011.0	Fine filter	1.000	ST	
20	6.465-031.0	Connection 3/4	1.000	ST	
21	7.303-328.0	Screw M5x8 -St-flZn/nc480h/C (In6Rd)	1.000	ST	
22	9.083-003.0	Hose coupling	1.000	ST	
23	4.730-098.0	Water filter complete packaged	1.000	ST	1.396-104/504